

**ILLUSTRATED
PARTS
BREAKDOWN**

**DEClaser 5100
PRINTER**

ILLUSTRATED PARTS BREAKDOWN (IPB)

The IPB is used to identify a part and its location in a hardware product. The document references specific item numbers in the associated parts list.

HOW TO USE THE IPB

1. Locate the figure containing the item of interest.
2. Locate the number (callout) of the item of interest.
3. Locate that item number in the associated parts list.

FORMAT

Each IPB is generally organized based on its first figure. All other assemblies and subassemblies are referenced from this figure. Each figure contains numeric callouts of all major parts (items).

PARTS LIST

Each parts list contains the following:

Figure and Item No. – Lists the figure number and its referenced numeric callout

Description – Presents the name and a brief description of the item. A single asterisk (*) preceding the description denotes item is a

subassembly to its referenced figure. A double asterisk (**) preceding the description indicates that this item is subordinate to the preceding single asterisk item.

DEC Part No. – Lists the Digital/Vendor part number. The letter in the column heading indicates the current revision level of the Engineering Drawing for the referenced figure.

ECO Cut-In – Lists the top assembly drawing number and revision level at first printing. All additional revisions to an item are listed in this column.

Used On Code – Lists letters referring to the product variation assigned in Figure 1. When this column is blank, the item is used in all variations.

Ref Fig No. – Lists a cross reference between figures within the IPB.

PART NUMBER/PART DESCRIPTION INDEX SECTION

Lists items by part number numerically, and description alphabetically. Items are also referenced to a location within the IPB by figure and item number.

ECO/REVISION HISTORY

**OTHER IPB
MANUALS
REFERENCED**

FIGURE NO.	ASSEMBLY	INITIAL LEVEL	CURRENT LEVEL	PRINTING DATE	OTHER IPB MANUALS REFERENCED
1	LN09	00000	00000	15-APR-94	N/A

Digital Equipment Corporation reserves the right, without notice, to make substitutions and modifications in the specifications of products documented in this manual and further reserves the right to withdraw any of these products from the market without notice.

Digital Equipment Corporation is not responsible for errors which may appear in the technical description (including illustrations and photographs) of the products covered by this manual.

None of the descriptions contained in this manual imply the granting of any license whatsoever to make, use or sell equipment constructed in accordance therewith.

Restricted Rights: Use, duplication or disclosure by the U.S. Government is subject to restrictions as set forth in subparagraph (c) (1) (ii) of the Rights in Technical Data and Computer Software clause at DFARS 252.227-2713.

Copyright © 1994 by Digital Equipment Corporation. All rights reserved.
Printed in U.S.A.

The postage-paid READER'S COMMENTS form on the last page of this document requests your critical evaluation to assist us in preparing future documentation.

The following are trademarks of Digital Equipment Corporation :

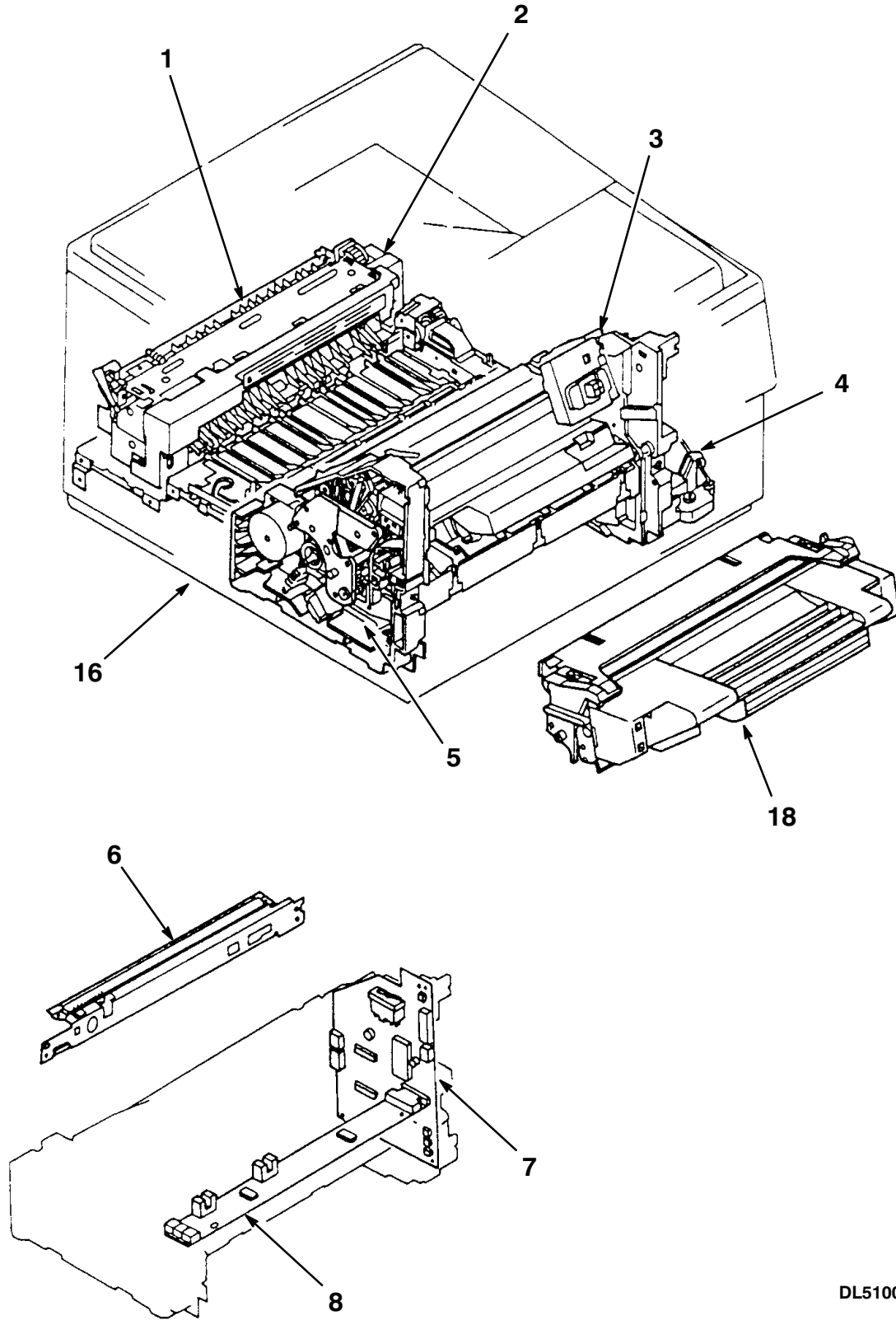
DECdirect, DEClaser and the DIGITAL logo.

LIST OF ASSEMBLIES

DEClaser 5100

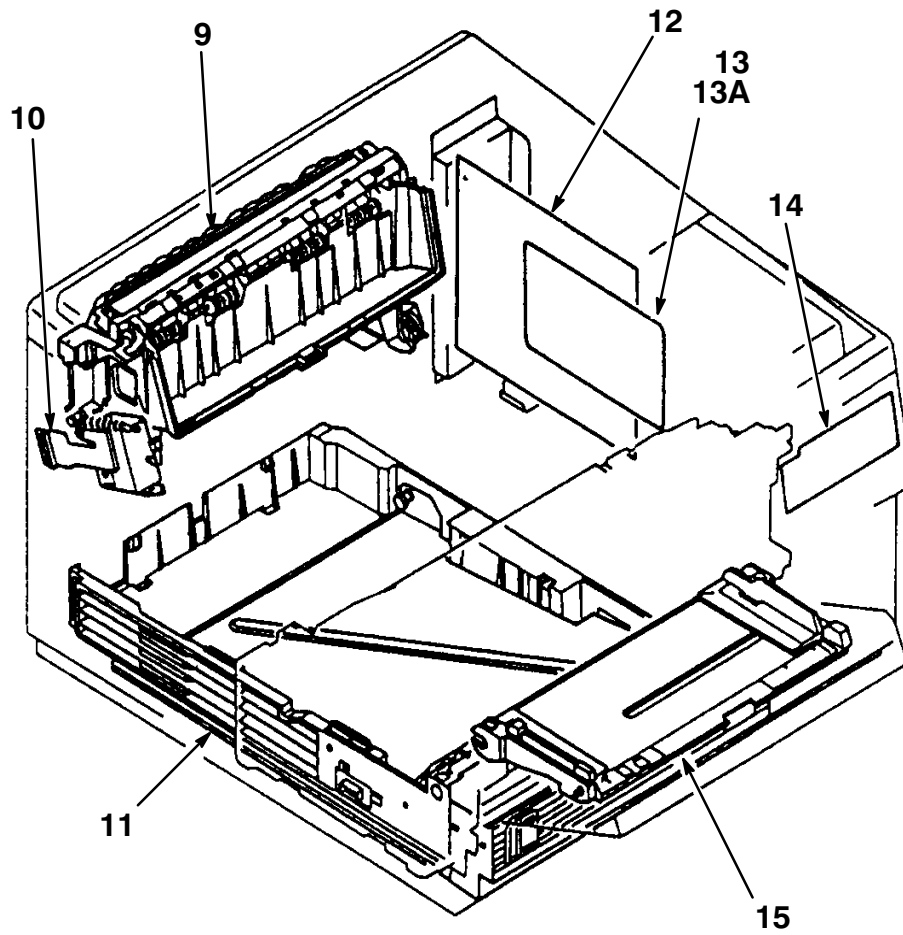
FIGURE NUMBER	TITLE	PAGE NUMBER
1	DEClaser 5100 MAJOR ASSEMBLY LOCATOR	1
2	PANELS/EXTERNAL COVERS, ETC	5
3	COVER ASSEMBLY, UPPER	7
4	COMPONENTS ASSEMBLY, INTERNAL (1)	9
5	COMPONENTS ASSEMBLY, INTERNAL (2)	11
6	COMPONENTS ASSEMBLY, INTERNAL (3)	13
7	COMPONENTS ASSEMBLY, INTERNAL (4)	15
8	SWITCH ASSEMBLY, MAIN	17
9	GEAR ASSEMBLY, MAIN DRIVE	18
10	DRIVE ASSEMBLY, PICK-UP	19
11	TRAY ASSEMBLY, UNIVERSAL INPUT – 250 SHEET	23
12	FEED ASSEMBLY, PAPER	25
13	GUIDE ASSEMBLY, TRANSFER	29
14	TRAY ASSEMBLY, MULTI-PURPOSE	30
15	DELIVERY ASSEMBLY, PAPER	31
16	SENSOR ASSEMBLY, PAPER OUT	33
17	FUSING ASSEMBLY	35
18	ENVELOPE FEEDER – ASSEMBLY LOCATIONS	37
18A	EXTERNAL COVERS, PANELS ETC – ENVELOPE FEEDER	38
18B	COMPONENTS ASSEMBLY, INTERNAL – ENVELOPE FEEDER	40
19	LCIT ASSEMBLY – LARGE CAPACITY INPUT TRAY	45
19A	MAIN BODY, PAPER FEEDER (LCIT)	46
19B	DRIVE ASSEMBLY, PAPER FEEDER (LCIT)	49
19C	INPUT TRAY, UNIVERSAL (LCIT – 500 SHEET)	53

THIS PAGE INTENTIONALLY LEFT BLANK



DL5100-01-SC

Figure 1. DEClaser 5100 Major Assembly Locations (Sheet 1 fo 2)

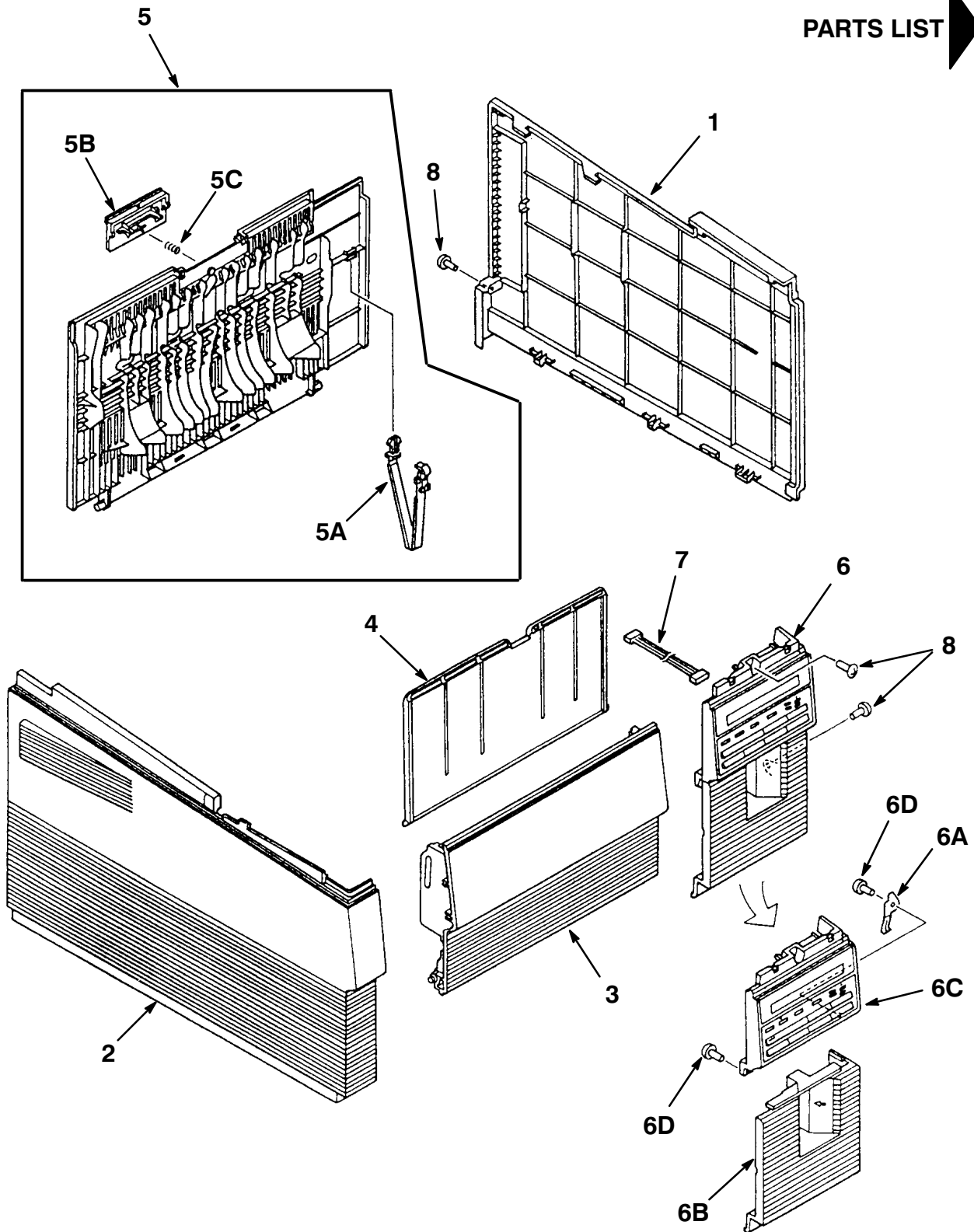


DL5100-01A-SC

Figure 1. DEClaser 5100 Major Assembly Locations (Sheet 2 fo 2)

FIG. & ITEM NO.	DESCRIPTION	VENDOR PART NO.	DEC PART NO.	USED ON CODE	REF FIG NO.
1-	DEClaser 5100 PRINTER				
	Code A – DEClaser 5100 (Denmark)		LN09-AD	A	
	Code B – DEClaser 5100 (UK/Ireland)		LN09-AE	B	
	Code D – DEClaser 5100 (Italian)		LN09-AI	C	
	Code E – DEClaser 5100 (Spanish)		LN09-AS	D	
	Code F – DEClaser 5100 (Israel)		LN09-AT	E	
	Code G – DEClaser 5100 (Aust./N. Zealand)		LN09-AZ	F	
	Code H – DEClaser 5100 (US/Canada)		LN09-CA	G	
	Code J – DEClaser 5100 (Swiss)		LN09-CB	H	
	Code K – DEClaser 5100 (Sweden, Norway, Finland, Portugal)		LN09-CC	J	
	Code L – DEClaser 5100 (Belgium, France, Holland, Germany)		LN09-CD	K	
	MAJOR ASSEMBLY LOCATIONS				
1	*FUSING ASSEMBLY (100-115V)	RG5-0454-060	FD-41594-01	G	17
	*FUSING ASSEMBLY (220-240V)	RG5-0455-060	FD-41595-01	A-F, HJK	17
2	*GEAR ASSEMBLY, MAIN DRIVE	RG5-0457-000	FD-42845-01		9
3	*FEED ASSEMBLY, PAPER	RG5-0451-160	FD-41623-01		12
4	*SWITCH ASSEMBLY, MAIN	N/A			8
5	*DRIVE ASSEMBLY, PICK-UP	N/A			10
6	*GUIDE ASSEMBLY, TRANSFER	RG5-0469-020			13
7	*Module Assembly, Paper Control	RG5-0512-000	FD-41611-01		
8	*Module Assembly, Sensor	RG5-0514-000			
9	*DELIVERY ASSEMBLY, PAPER	RG5-0456-000	29-31521-01		15
10	*SENSOR ASSEMBLY, PAPER OUT	RG5-0475-060	FD-42843-01		16
11	*TRAY ASSY, UNIVERSAL INPUT – 250 SHT		LN0XX-TA		11
12	*Module, Video Controller		29-31710-01		
12A	**EEPROM, I.C., Page Count Memory		12-40579-01		
13	*MODULE, DC CONTROLLER	RG5-0511-000	FD-41600-01		
13A	**Cable Assembly, DC Cont./Low Voltage (TB201/J103)	RG5-0525-000			
14	*Module, Display Panel	RG5-0958-000			
15	*TRAY ASSEMBLY, MULTI-PURPOSE		29-31473-01		14
16	*Printer, 8 PPM Simplex Laser (115V)	LN09-A2		G	
	*Printer, 8 PPM Simplex Laser (240V)	LN09-A3		A-F, HJK	

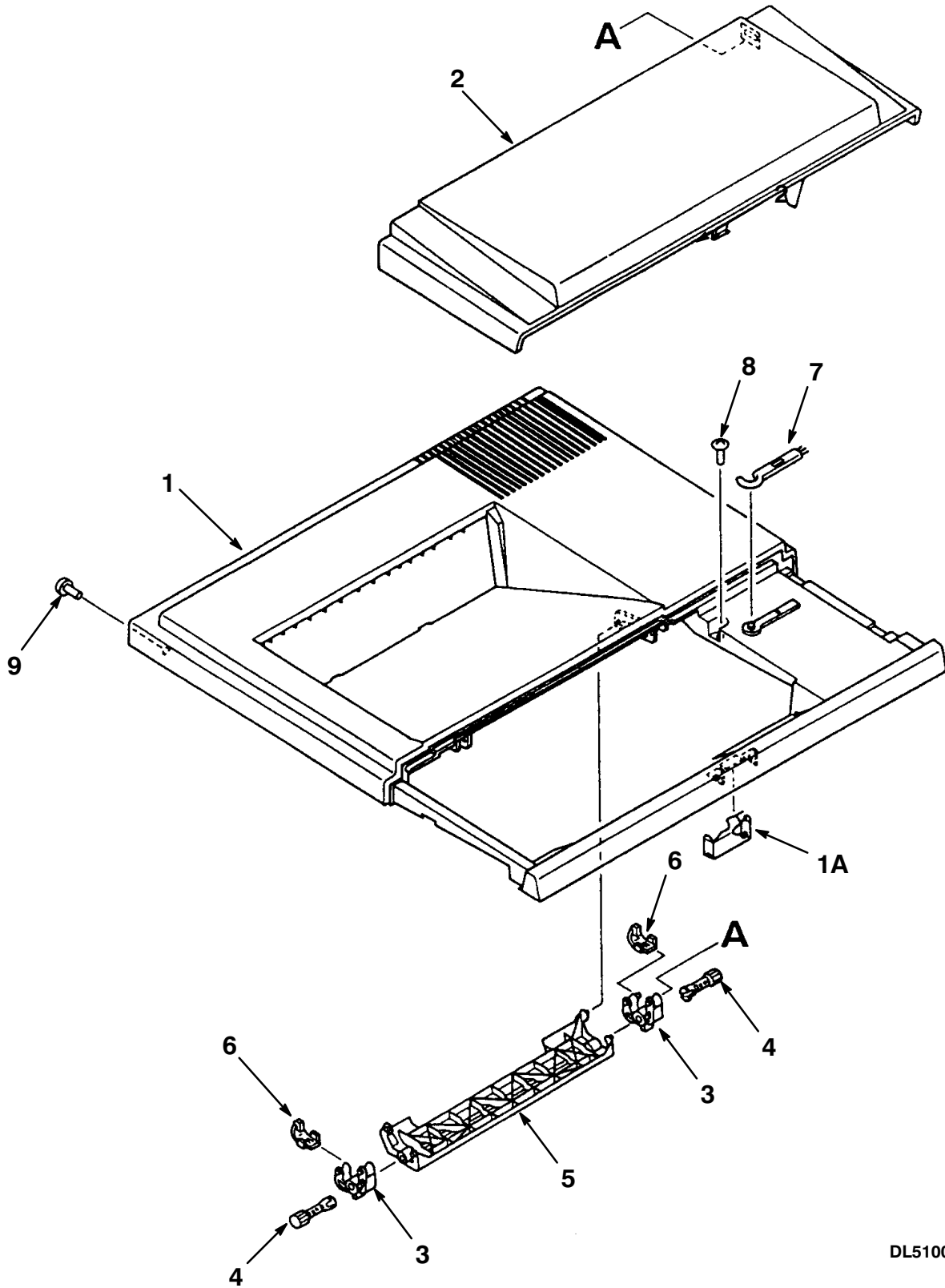
FIG. & ITEM NO.	DESCRIPTION	VENDOR PART NO.	DEC PART NO.	USED ON CODE	REF FIG NO.
1-	DEClaser 5100 PRINTER (continued)				
17	Power Cords – Not Shown				
	*Power Cord, (BN19C-2E) (220V)		17-00199-21	FJK	
	*Power Cord, (BN19K-2E) (220V)		17-00310-08	A	
	*Power Cord (BN19A-2A) (240V)		17-00209-15	B	
	*Power Cord (BN18L-2E) (240V)		17-00457-16	E	
	*Power Cord (BN19M-2E) (220V)		17-00364-18	C	
	*Power Cord (BN19H-2E) (240V)		17-00198-14	F	
18	*Cartridge, EP-ED (Toner)		LN0XX-AA		
	COUNTRY KITS – (Not Shown)				
	*Country Kit, Italian		LN09X-KI	C	
	*Country Kit, Spanish		LN09X-KS	D	
	*Country Kit, Swiss		LN09X-MB	H	
	*Country Kit, Belgium, Holland, France		LN09X-MD	K	
	MISCELLANEOUS – (Not Shown)				
	*Strap, Grounding Wrist Disposable		12-36175-01		
	*Screwdriver, Phillips PTS		47-00159-01		
	*Tool, Hard Disk Installation		74-48329-01		
	*Documentation, DEClaser 5100 Printer Disk Option Guide		EK-D5100-IN		
	*Documentation, DEClaser 5100 Printer Memory Option Guide		EK-DL51M-IN		
	*Documentation, Printer Resolution		EK-D5100-DI		
	*Handle Assembly, Hard Disk		70-29116-01		
	*Drive, LN09X Internal Hard Disk Option		LN09X-HD		
	*Module, LN09 High Resolution Option		54-23283-01		
	*Module, Non-Roman Font Card Option		LN09X-NR		
	*Module, Multi-Protocol Ethernet Network Card		LN09X-NW		
	*Module, LN09 High Resolution Option		54-23283-01		
	*Module, 4 MB Memory SIMM Option		LN09X-MA		
	*Module, 16 MB Memory SIMM Option		LN09X-ME		
	*Module, 32 MB Memory SIMM Option		LN09X-MF		
	*Module, High Resolution Option		LN09X-XL		



DL5100-02-SC

Figure 2. Panels / External Covers Etc.

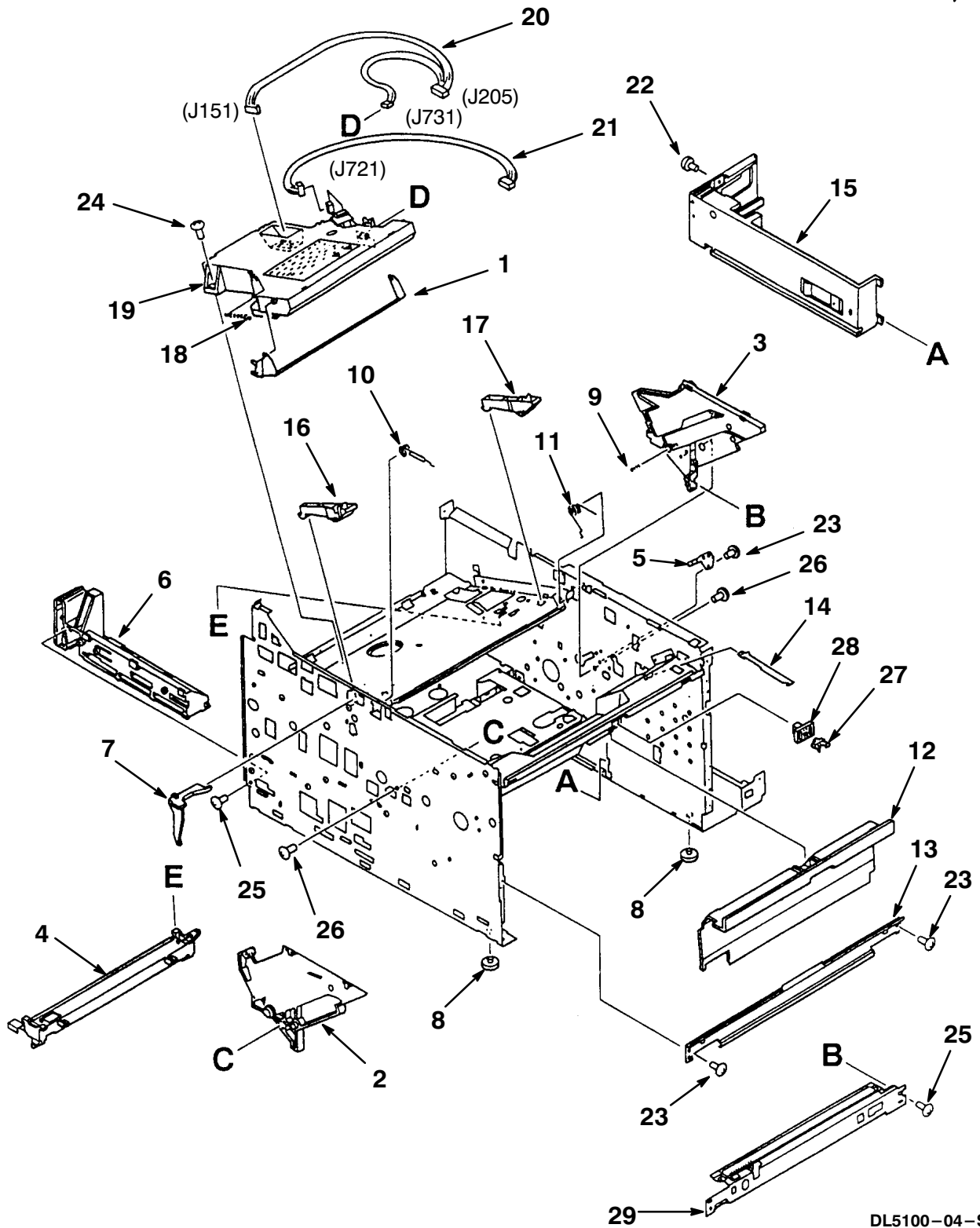
FIG. & ITEM NO.	DESCRIPTION	VENDOR PART NO.	DEC PART NO.	USED ON CODE	REF FIG NO.
2-	EXTERNAL COVERS / PANEL, ETC.	N/A			1
1	*Panel, Right	RB1-3741-000			
2	*Panel, Left	RB1-3742-000			
3	*Door, Multipurpose		29-31472-01		
4	*Tray, B	RB1-3751-000			
5	*COVER, DELIVERY (Rear Door)	RF5-0559-000	29-31522-01		
5A	**Hinge	RB1-2354-000			
5B	**Latch, Rear	RB1-3752-000			
5C	**Spring, Tension	RS5-2219-000			
6	*CONTROL PANEL ASSEMBLY	N/A	29-31474-01		
6A	**Spring, Leaf	RB1-3574-000			
6B	**Cover, Front	RB1-3734-000			
6C	**Panel, Control	N/A			
6D	**Screw, M3 x 6	XA9-0596-000			
7	*Cable, Control Panel	RG5-1095-000			
8	*Screw, Machine Pan Hd w/Washer M3 x 8	XA9-0253-000			



DL5100-03-SC

Figure 3. Cover Assembly, Upper

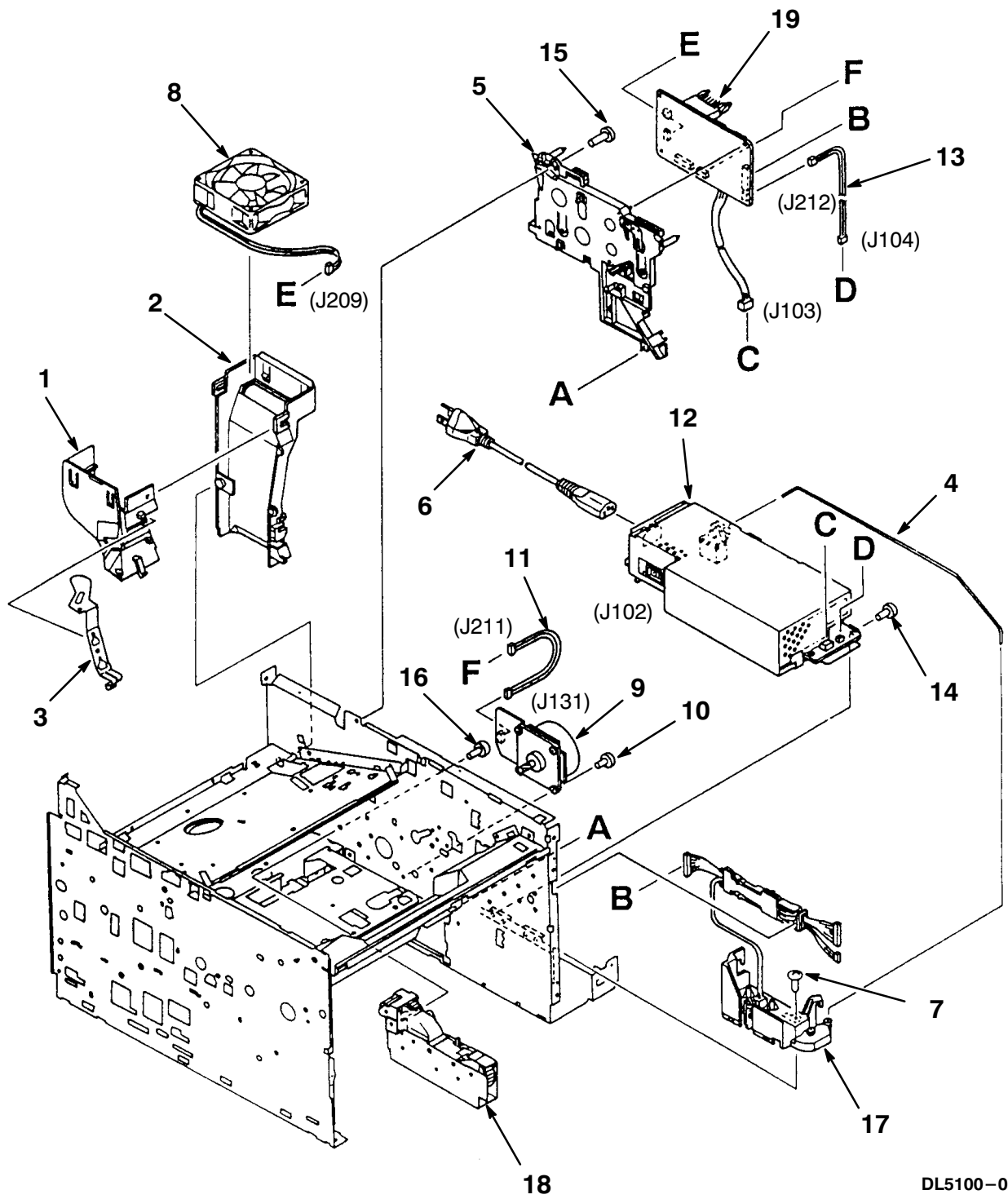
FIG. & ITEM NO.	DESCRIPTION	VENDOR PART NO.	DEC PART NO.	USED ON CODE	REF FIG NO.
3-	COVER ASSEMBLY, UPPER	N/A			1
1	*COVER, UPPER	RF5-0760-000			
1A	**Spring, Leaf, Click	RB1-2939-000			
2	*Cover, Open/Close (or Cart. Access Door)	RB1-3738-000			
3	*Arm, Hinge (1)	RB1-2323-000			
4	*Pin, Hinge	RB1-2324-000			
5	*Arm, Hinge (2)	RB1-2329-000			
6	*Stop, Hinge	RB1-2314-000			
7	*Brush, Cleaning	RB1-2260-000	29-31475-01		
8	*Screw, Machine Pan Hd w/Washer (M3 x 8)	XA9-0253-000			
9	*Screw, w/Washer (M3 x 6)	XA9-0663-000			



DL5100-04-SC

Figure 4. Internal Components (1)

FIG. & ITEM NO.	DESCRIPTION	VENDOR PART NO.	DEC PART NO.	USED ON CODE	REF FIG NO.
4-	INTERNAL COMPONENTS (1)	N/A			1
1	*Shutter, Laser	RB1-2080-000			
2	*Guide, Cartridge, Left	RB1-2100-030			
3	*Guide, Cartridge, Right	RB1-2101-020			
4	*Support, Cartridge	RB1-2105-030			
5	*Plate, Grounding	RB1-2106-000			
6	*Guide, Cassette, Left	RB1-3764-000			
7	*Arm, Shutter	RB1-2111-000			
8	*Foot	RB1-2114-000			
9	*Spring, Compression	RS5-2218-000			
10	*Spring, Torsion	RB1-2122-000			
11	*Spring, Torsion	RB1-2123-000			
12	*Cover, Inner	RB1-2963-000			
13	*Plate, Front Panel	RB1-2353-000			
14	*Spring, Switch	RB1-2966-000			
15	*Guide, Cassette Right	RF5-0556-000			
16	*Plate, Pressure, CRG, Left	RF5-0365-000			
17	*Plate, Pressure, CRG, Right	RF5-0366-000			
18	*Spring, Tension	RS5-2170-000			
19	*LASER SCANNER ASSEMBLY	RG5-0449-020	FE-HPA515-QR		
20	*Cable, DC Cont./Scanner (J205/J151/J731)	RG5-0520-000			
21	*Cable, DC Cont./Laser (J206/J721)	RG5-0556-000			
22	*Screw, Machine Pan Hd w/Washer M3 x 8	XA9-0253-000			
23	*Screw, TP, M3 x 6	XA9-0267-000			
24	*Screw, w/Spring Washer M3 x 14	XA9-0639-000			
25	*Screw, M3 x 8	XA9-0591-000			
26	*Screw, M4 x 6	XA9-0592-000			
27	*Latch	XZ9-0340-000			
28	*Holder, Latch	RB1-2125-000			
29	*GUIDE ASSEMBLY, TRANSFER	RG5-0469-020			13



DL5100-05-SC

Figure 5. Internal Components (2)

FIG. & ITEM NO.	DESCRIPTION	VENDOR PART NO.	DEC PART NO.	USED ON CODE	REF FIG NO.
5-	INTERNAL COMPONENTS (2)	N/A			1
1	*Duct (1)	RB1-2112-000			
2	*Duct (2)	RB1-2113-000			
3	*Cover, Fan	RB1-2350-000			
4	*Rod, Switch	RB1-2352-000			
5	*Holder, Module	RF5-0470-000			
6	*Cord, Power (See Note)	N/A			
7	*Screw, Machine Pan Hd w/Washer M3 x 8	XA9-0253-000			
8	*Fan, Exhaust	RH7-1143-000	FD-41593-01		
9	*Motor, Main DC (5.8W)	RH7-1151-000	FD-41597-01		
10	*Screw, w/Spring Washer	XA9-0585-000			
11	*Cable Assembly, Main Motor (J211/J131)	RG5-0538-000			
12	*Power Supply Assembly (100-115V)	RG5-0531-000	FD-41614-01		
	*Power Supply Assembly (220-240V)	RG5-0553-000	FD-41616-01		
13	*Cable, DC Cont./Low-voltage 2 (J212/J104)	RG5-0526-000			
14	*Screw, Truss Hd w/Washer	FA9-1449-000			
15	*Screw, w/Spring Washer (M3 x 12)	XA9-0584-000			
16	*Screw, TP M3 x 6	XA9-0267-000			
17	*SWITCH ASSEMBLY, MAIN	N/A			8
18	*GEAR ASSEMBLY, MAIN DRIVE	RG5-0457-000	FD-42845-01		9
19	*Module, DC Controller	RG5-0511-000	FD-41600-01		
	NOTE: See Figure 1 For Correct Power Cord.				

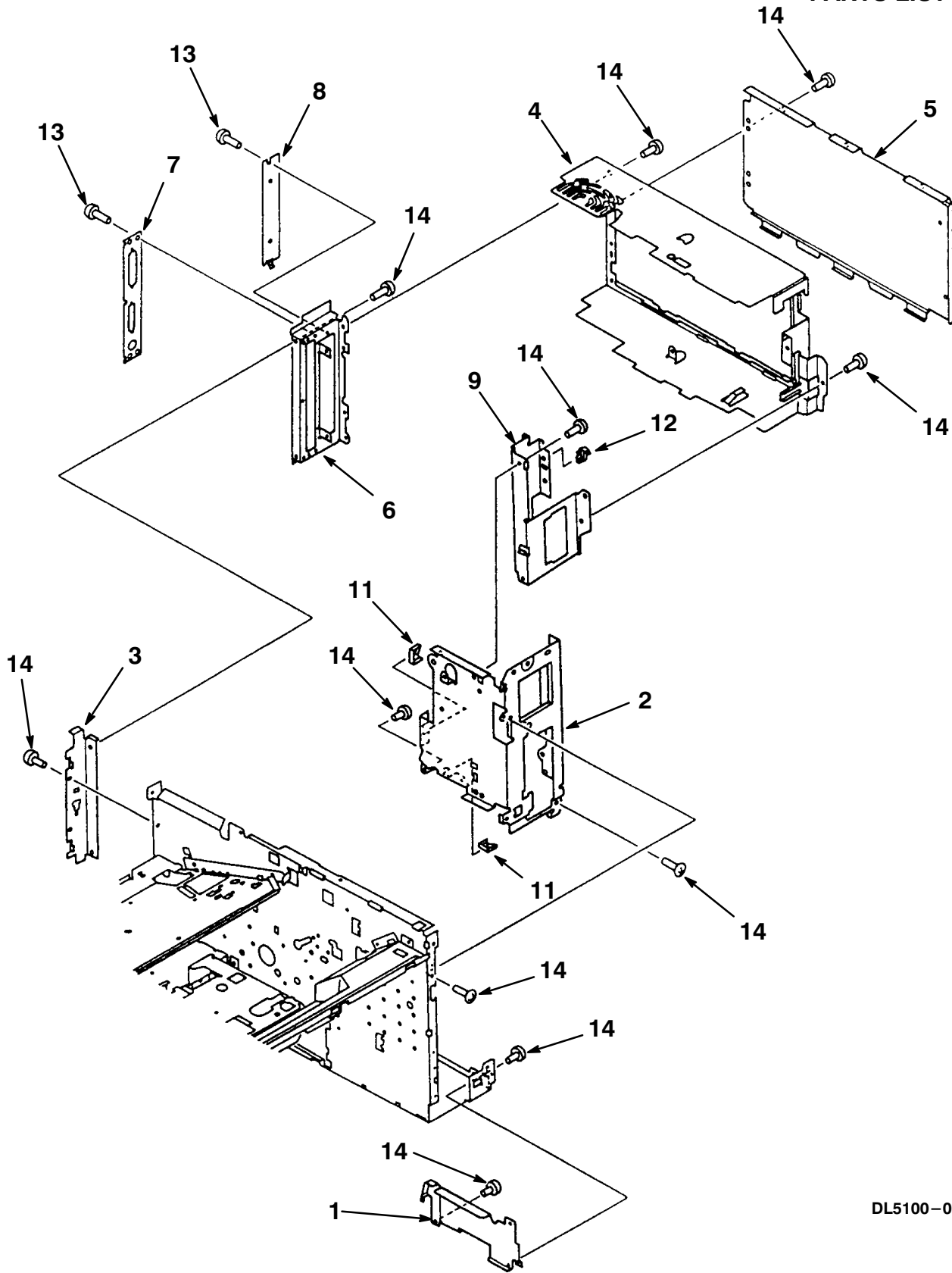
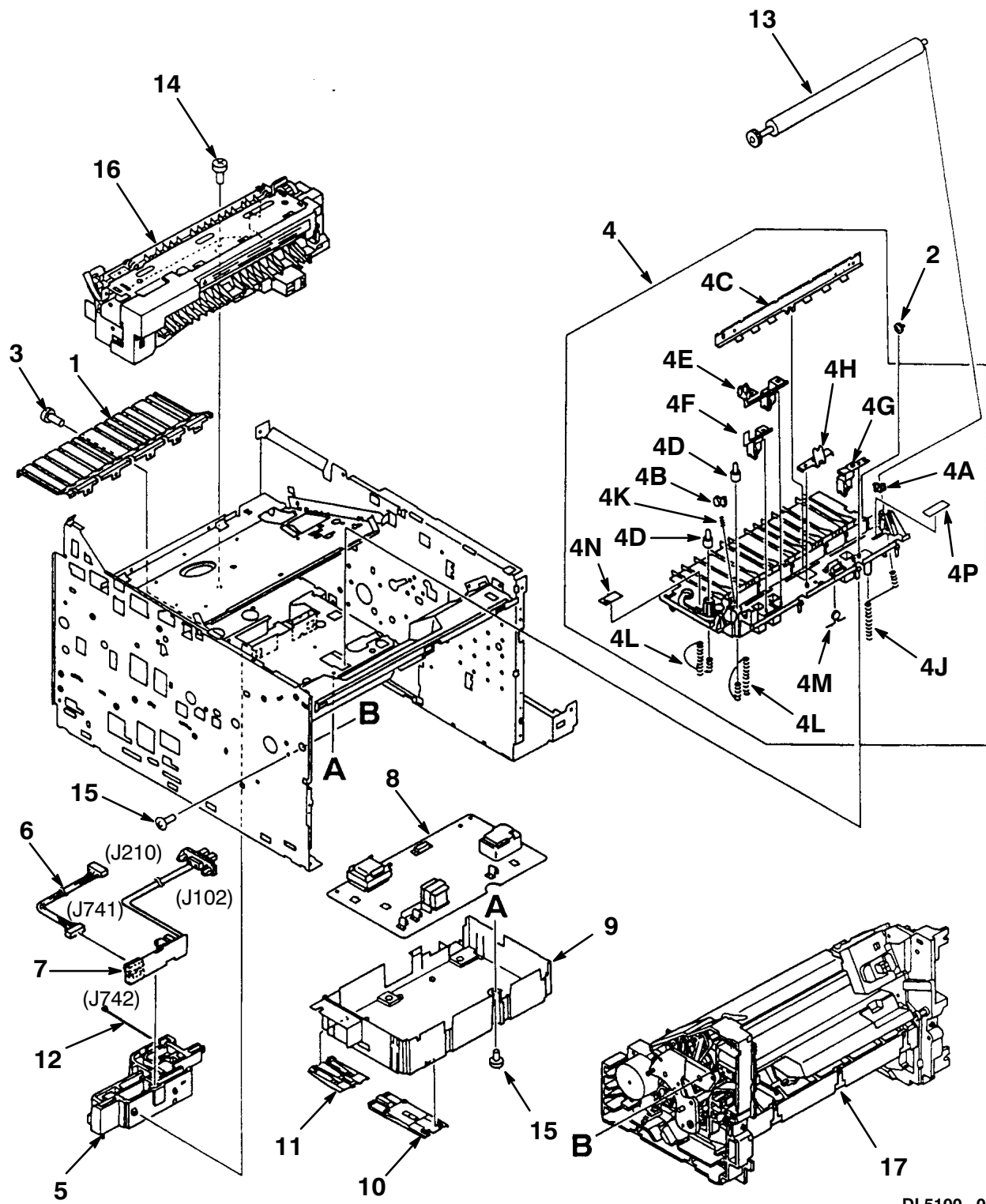


Figure 6. Internal Components (3)

DL5100-06-SC

FIG. & ITEM NO.	DESCRIPTION	VENDOR PART NO.	DEC PART NO.	USED ON CODE	REF FIG NO.
6-	INTERNAL COMPONENTS (3)	N/A			1
1	*Cover, Connector	RB1-2950-000			
2	*Plate, Operation Base	SSR-JM341			
3	*Base, I/O Plate	RB1-3581-000			
4	*Case, Shield	SSR-JM340			
5	*Cover, Shield	RB1-3723-000			
6	*Plate, I/O	RB1-3724-000			
7	*Plate, Connector, I/O	RB1-3725-000			
8	*Cover, I/O	RB1-3726-000			
9	*Plate, Font Shield	RB1-3727-000			
10	NOT USED	N/A			
11	*Clip, Cable	WT2-0136-000			
12	*Clamp, Cable	WT2-5134-000			
13	*Screw, Binding	XA9-0258-000			
14	*Screw, TP, M3 x 6	XA9-0267-000			

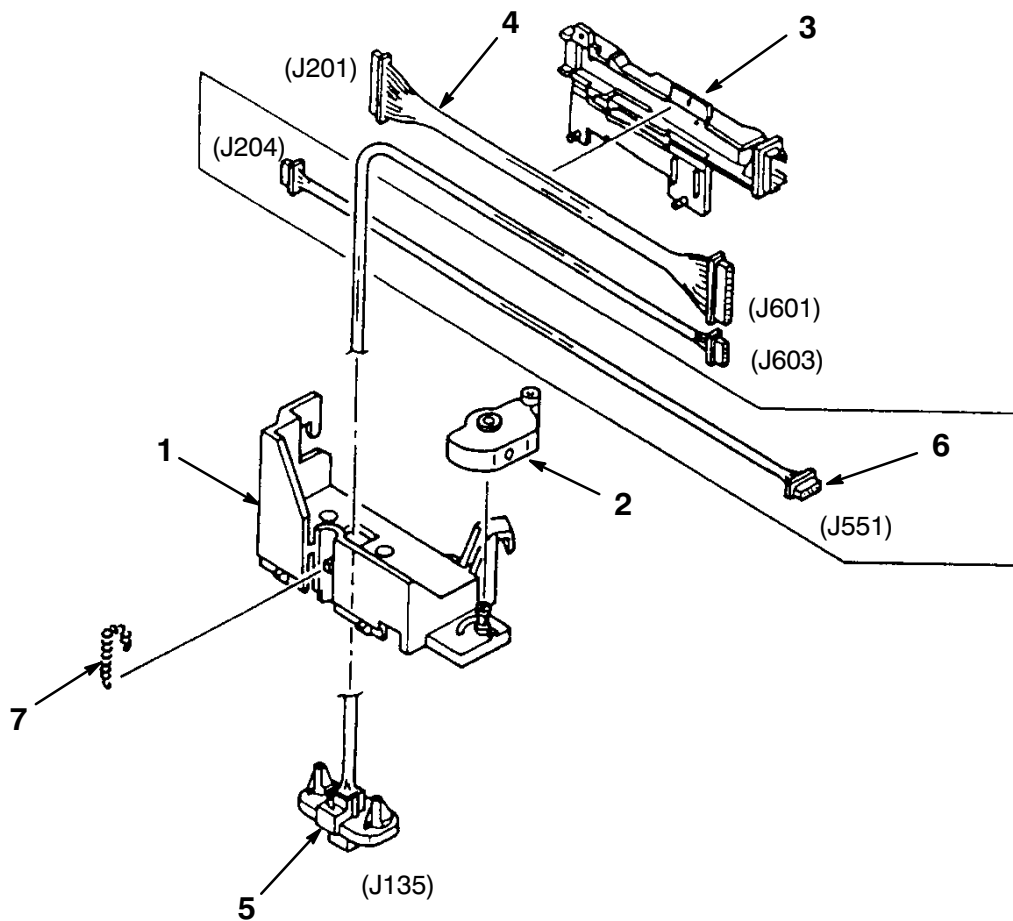


DL5100-07-SC

Figure 7. Internal Components (4)

FIG.& ITEM NO.	DESCRIPTION	VENDOR PART NO.	DEC PART NO.	USED ON CODE	REF FIG NO.
7-	INTERNAL COMPONENTS (4)	N/A			1
1	*Guide, Feeder	RB1-2236-000			
2	*Roller, Feed	RB1-2253-000			
3	*Screw, Hex Head	XA9-0623-000			
4	*TRANSFER BLOCK ASSEMBLY	RG5-0468-000			
4A	**Bushing, Right	RB1-2234-000			
4B	**Bushing, Left	RB1-2235-000			
4C	**Eliminator, Static Charge	RB1-2238-000			
4D	**Pin, Contact	RB1-2239-000			
4E	**Spring, Leaf	RB1-2240-000			
4F	**Spring, Leaf	RB1-2241-000			
4G	**Spring, Leaf	RB1-2242-000			
4H	**Spring, Leaf	RB1-2243-000			
4J	**Spring, Compression	RS5-2181-000			
4K	**Spring, Compression	RS5-2182-000			
4L	**Spring, Compression	RS5-2183-000			
4M	**Varistor	RH9-0737-000			
4N	**Label	FS3-8377-000			
4P	**Cover, Transfer Bushing	RB1-2255-000			
5	*Block, Connecting	RB1-2251-000			
6	*DC Cont./Connect Cable (J210/J741)	RG5-0521-000			
7	*Module Assembly, Connector	RG5-0515-000			
8	*Module Assembly, H.V. Power Supply	RG5-0513-000			
9	*Cover, HVT	RB1-2226-000			
10	*Holder, Paper (1)	RF5-0369-000			
11	*Holder, Paper (2)	RB1-2259-000			
12	*Tie, Cable	WT2-0030-000			
13	*Roller, Transfer	RF5-0349-000	FD-41633-01		
14	*Screw, Hex Hd, w/Washer	XA9-0574-000			
15	*Screw, Machine Pan Hd w/Washer M3 x 8	XA9-0253-000			
16	*FUSING ASSEMBLY (100-115V)	RG5-0454-060	FD-41594-01		17
	*FUSING ASSEMBLY (220-240V)	RG5-0455-000	FD-41595-01		17
17	*FEED ASSEMBLY, PAPER	RG5-0451-000	FD-41623-01		12

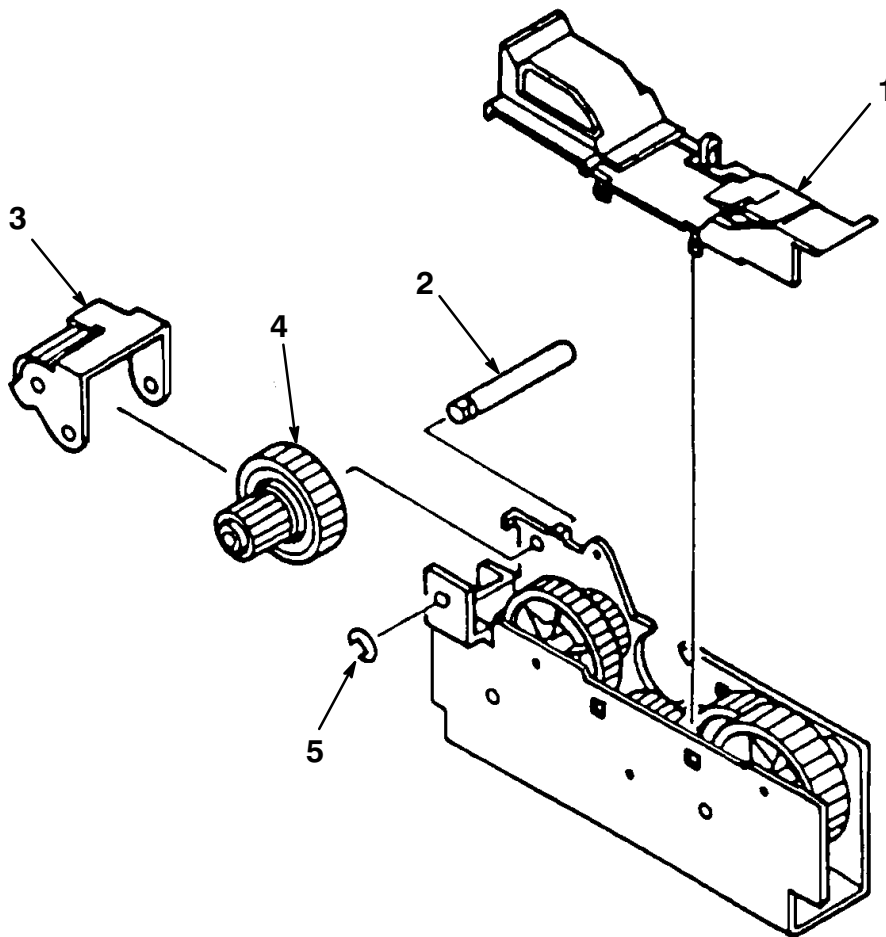
FIG. & ITEM NO.	DESCRIPTION	VENDOR PART NO.	DEC PART NO.	USED ON CODE	REF FIG NO.
8-	SWITCH ASSEMBLY, MAIN	N/A			1,5
1	*Base, Switch Mounting	RB1-2118-000			
2	*Switch, Main	RB1-2962-000			
3	*Cover, Cable	RB1-2345-000			
4	*Cable, DC Cont./Motor Driver (J201/J601)	RG5-0524-000			
5	*Cable, Motor Driver/C. Feeder (J135/J603)	RG5-0530-000			
6	*Cable Assembly, Display (J204/J551)	RG5-0959-000			
7	*Spring, Tension	RS5-2217-000			



DL5100-08-SC

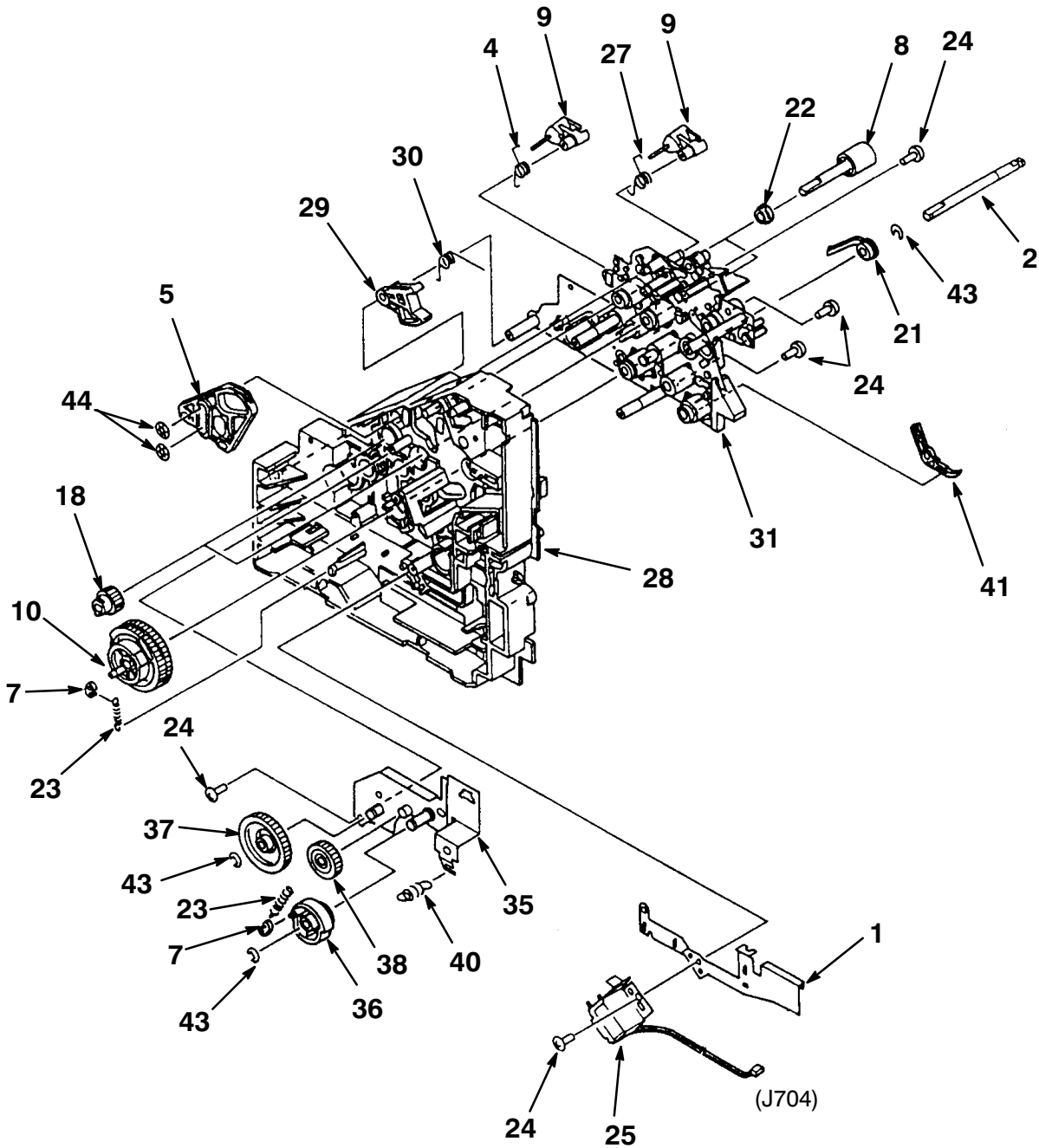
Figure 8. Switch Assembly, Main

FIG. & ITEM NO.	DESCRIPTION	VENDOR PART NO.	DEC PART NO.	USED ON CODE	REF FIG NO.
9-	GEAR ASSEMBLY, MAIN DRIVE	RG5-0457-000	FD-42845-01		1,5
1	*Cover, Gear	RB1-2318-000			
2	*Shaft, Gear	RB1-2319-000			
3	*Coupler, Fixing	RF5-0350-020			
4	*Gear, 17T/32T	RS5-0237-000			
5	*Ring, Grip	XD2-2100-502			



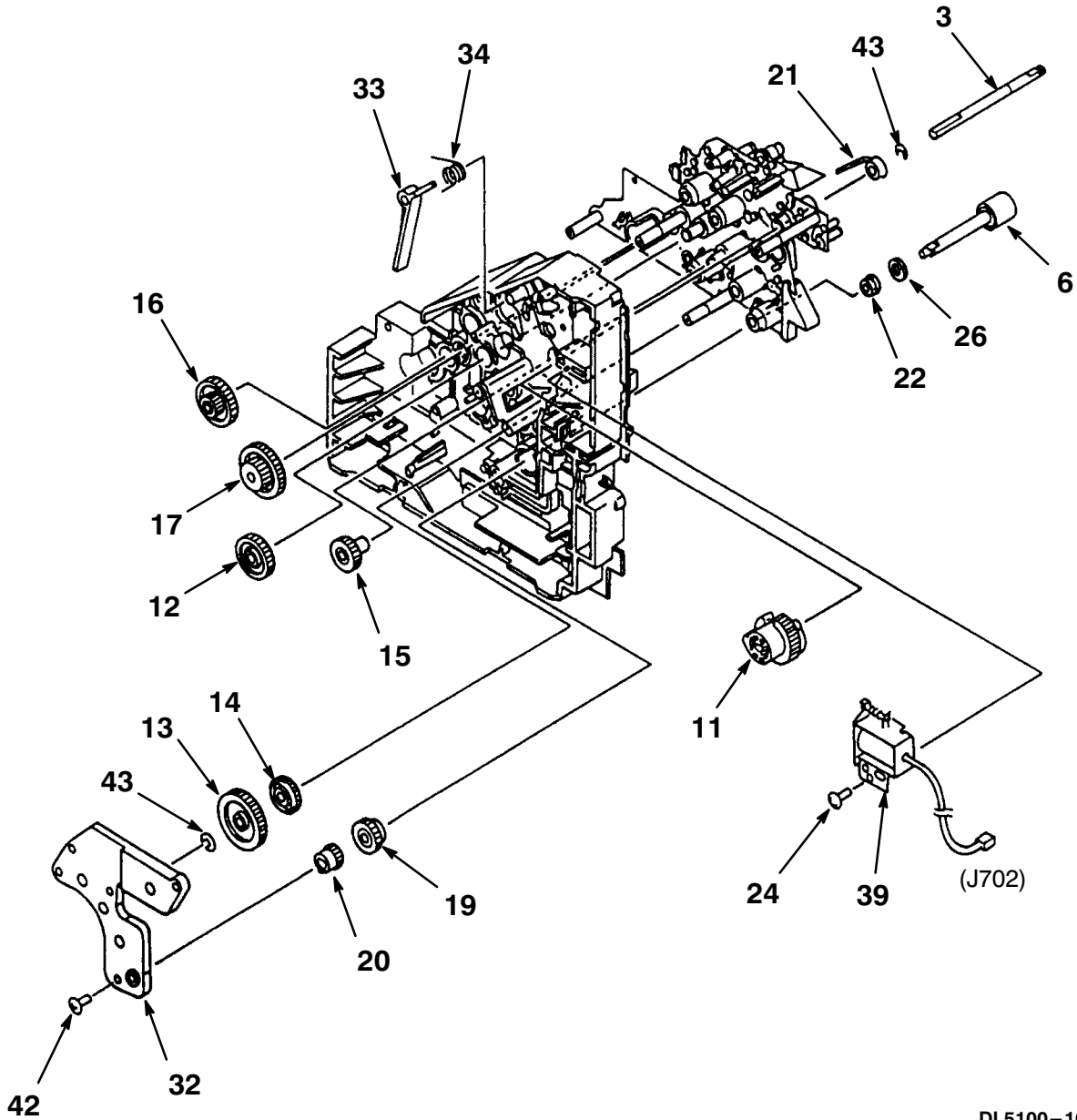
DL5100-09-SC

Figure 9. Gear Assembly, Main Drive



DL5100-10-SC

Figure 10. Drive Assembly, Pick-Up (Sheet 1 of 2)

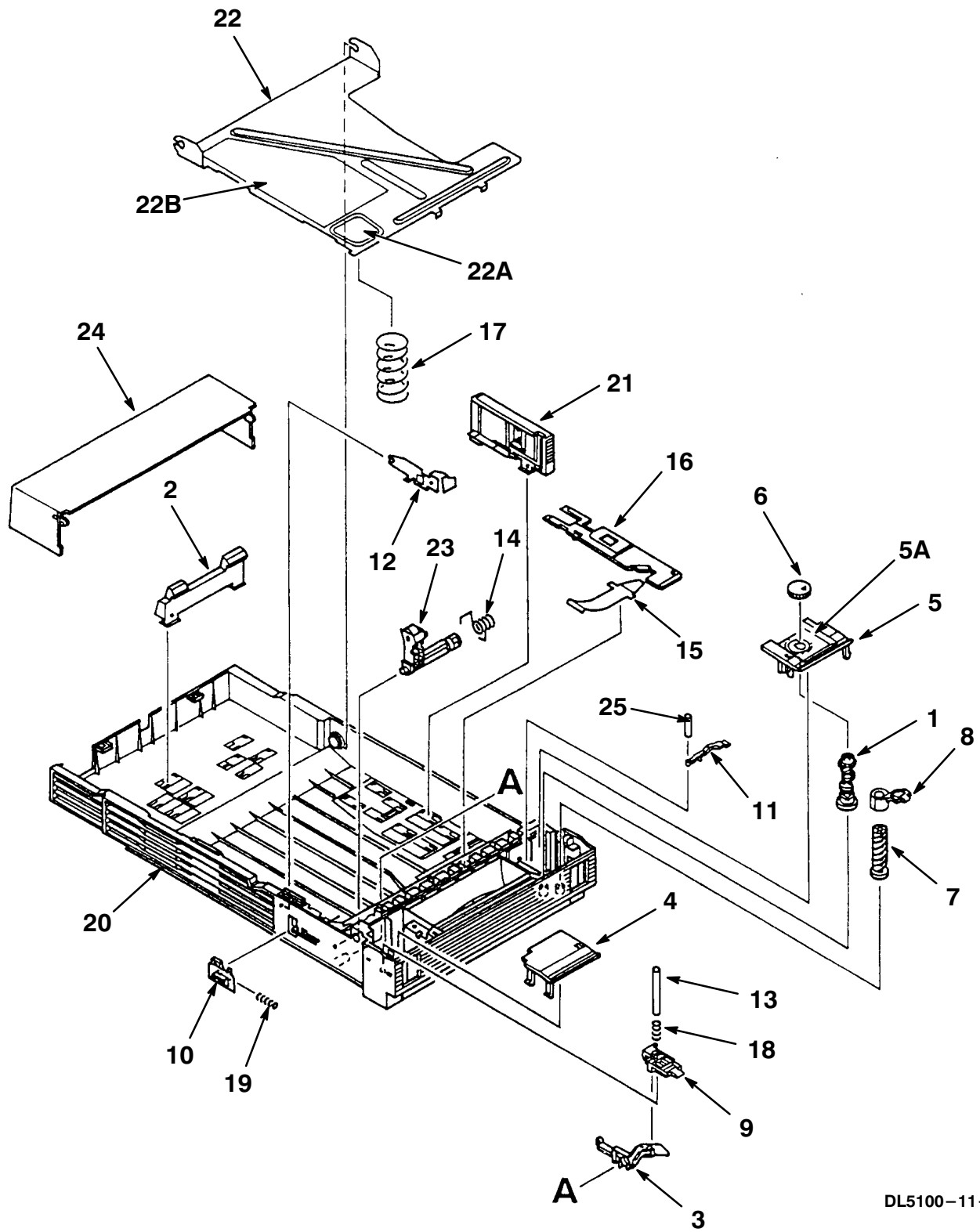


DL5100-10A-SC

Figure 10. Drive Assembly, Pick-Up (Sheet 2 of 2)

FIG.& ITEM NO.	DESCRIPTION	VENDOR PART NO.	DEC PART NO.	USED ON CODE	REF FIG NO.
10-	DRIVE ASSEMBLY, PICK-UP	N/A			1,12
1	*Spring, Leaf	RB1-2135-000			
2	*Shaft, Pick-up (F)	RB1-2158-000			
3	*Shaft, Pick-up (M)	RB1-2159-000			
4	*Spring, Torsion	RB1-2164-000			
5	*Plate, Roller Release	RB1-2165-000			
6	*Roller, Oblique (A)	RB1-2188-000			
7	*Collar, Spring	RB1-2190-000			
8	*Roller, Oblique (A)	RF5-0784-000			
9	*Holder, Roller	RF5-0342-000			
10	*Gear, 48T	RS5-0239-000			
11	*Gear, 32T	RS5-0241-000			
12	*Gear, 29T	RS5-0242-000			
13	*Gear, 35T	RS5-0245-000			
14	*Gear, 31T	RS5-0246-000			
15	*Gear, 19T	RS5-0247-000			
16	*Gear, 42T/16T	RS5-0248-000			
17	*Gear, 48T/16T	RS5-0249-000			
18	*Gear, 16T	RS5-0250-000			
19	*Gear, 12T	RS5-0251-000			
20	*Gear, 16T	RS5-0252-000			
21	*Bushing, Pick-up	RS5-1066-000			
22	*Bushing, Oblique Roller	RS5-1067-000			
23	*Spring, Tension	RS5-2172-000			
24	*Screw, M3 x 8	XA9-0591-000			
25	*Solenoid	RH7-5071-000			
26	*Collar, Oblique Roller	RB1-2191-000			
27	*Spring, Torsion	RB1-2193-000			
28	*Frame, Paper Feed, Left	RB1-2154-000			
29	*Latch, Cassette	RB1-2179-000			
30	*Spring, Torsion	RB1-2180-000			
31	*Mount, Gear	RF5-0338-080			
32	*Holder, Shaft	RB1-2201-000			
33	*Claw, Clutch	RB1-2166-000			
34	*Spring, Torsion	RB1-2167-000			
35	*Plate, Spindle	RF5-0339-000			
36	*Gear, 16T	RS5-0240-000			
37	*Gear, 39T	RS5-0243-000			
38	*Gear, 25T	RS5-0244-000			

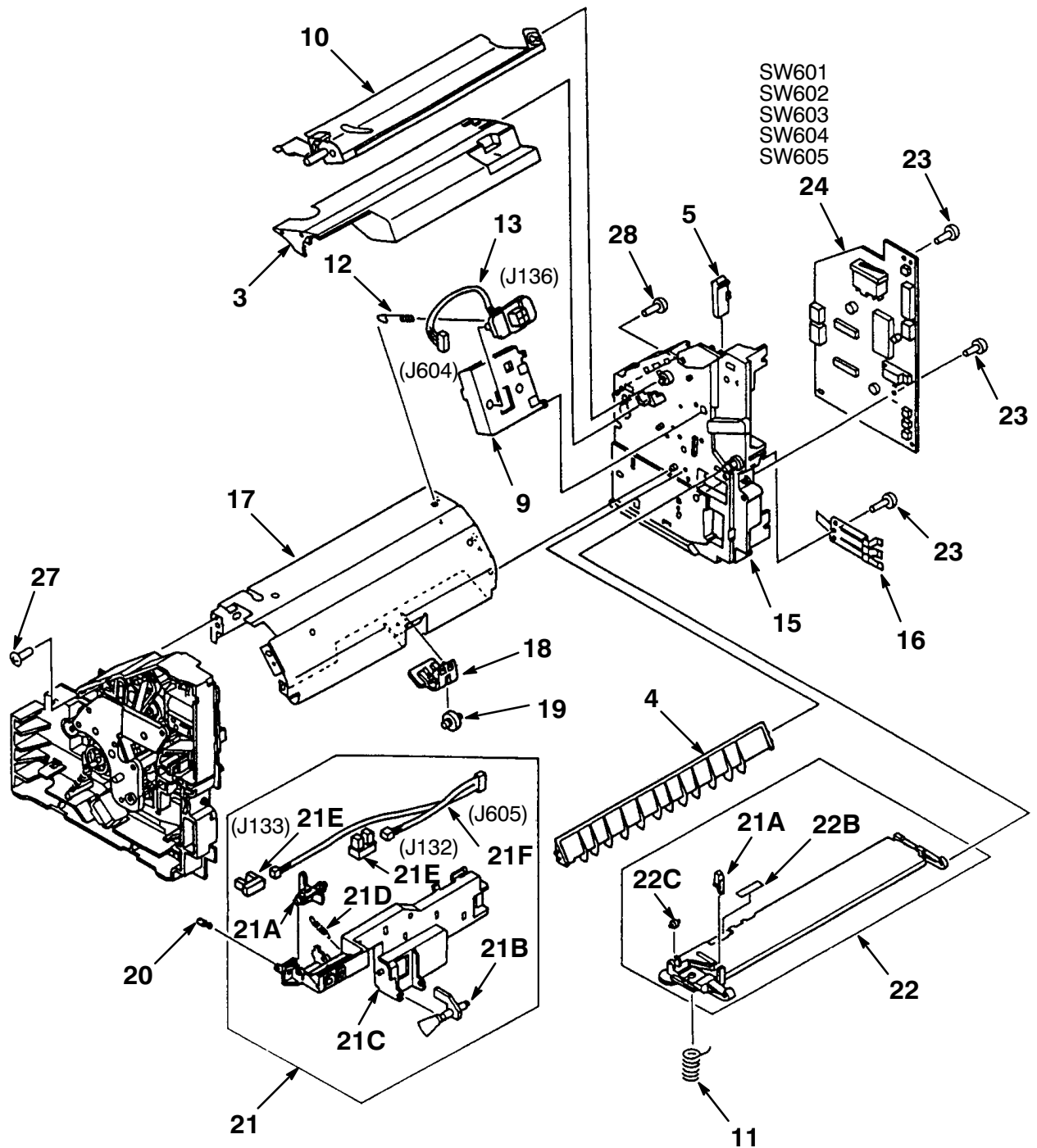
FIG. & ITEM NO.	DESCRIPTION	VENDOR PART NO.	DEC PART NO.	USED ON CODE	REF FIG NO.
10-					
39	*Solenoid	RH7-5075-000			
40	*Spring, Tension	RS5-2216-000			
41	*Plate, Oblique Roller	RB1-2200-000			
42	*Screw, w/Washer M3 x 12	XA9-0640-000			
43	*Ring, E-	XD2-1100-502			
44	*Ring, SE-	XD2-2300-402			



DL5100-11-SC

Figure 11. Tray Assembly, Universal Input – 250 Sheet

FIG. & ITEM NO.	DESCRIPTION	VENDOR PART NO.	DEC PART NO.	USED ON CODE	REF FIG NO.
11-	TRAY ASSEMBLY, UNIVERSAL INPUT – 250 SHEET		LN0XX-TA		1
1	*Cam, Size	RB1-2369-000			
2	*Plate, Length Adjustment	RB1-2370-000			
3	*Arm, Sensor	RB1-2372-000			
4	*Cover, Left	RB1-2958-000			
5	*COVER, RIGHT	RF5-0565-000			
5A	**Label, Paper Size	RS5-8232-000			
6	*Dial	RB1-2375-000			
7	*Gear, 28T	RB1-2377-000			
8	*Arm, Display	RB1-2957-000			
9	*Block, Display	RB1-2956-000			
10	*Lifter	RB1-2380-000			
11	*Arm	RB1-2381-000			
12	*Claw, Paper Separating	RB1-2384-000			
13	*Pin	RB1-2386-000			
14	*Spring, Torsion	RB1-2389-000			
15	*Spring, Leaf	RB1-2739-000			
16	*Plate, Changing	RB1-2740-000			
17	*Spring, Compression	RS5-2186-000			
18	*Spring, Compression	RS5-2187-000			
19	*Spring, Compression	RS5-2188-000			
20	*Body, Cassette	RF5-0563-000			
21	*Plate, Side	RF5-0430-000			
22	*PLATE, PAPER LIFTING	RF5-0431-020			
22A	**Sheet, Friction	RB1-2388-000			
22B	**Label, Instructions	RS2-8163-000			
23	*Holder, Roller	RF5-0432-000			
24	*Cover, LGL	RB1-2964-000			
25	*Pin, Dowel	XD3-2300-322			



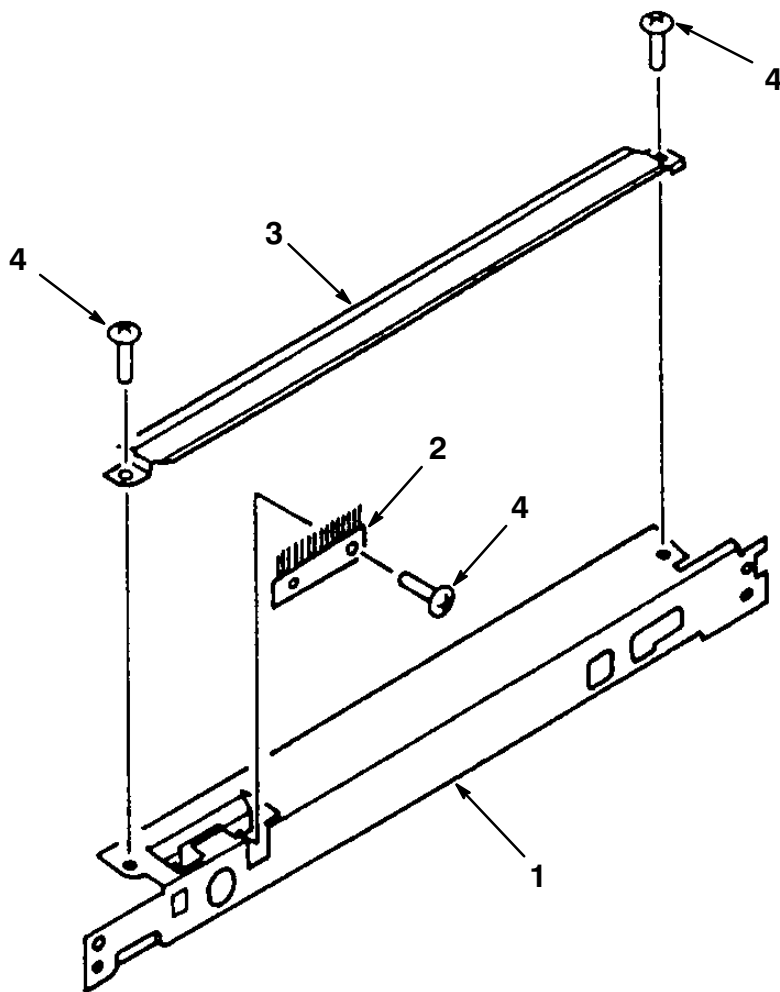
DL5100-12-SC

Figure 12. Feed Assembly, Paper (Sheet 1 of 2)

FIG.& ITEM NO.	DESCRIPTION	VENDOR PART NO.	DEC PART NO.	USED ON CODE	REF FIG NO.
12-	FEED ASSEMBLY, PAPER	RG5-0451-160	FD-41623-01		1,7
1	*Roller, Pick-up	RB1-2126-000	FD-41629-01		
2	*Roller, MP Tray Pick-up	RB1-2127-000	FD-41630-01		
3	*Guide, MP Tray, Upper	RB1-2129-000			
4	*Guide	RB1-2131-000			
5	*Lever, Switch	RB1-2138-000			
6	*Arm, Sensor	RB1-2168-000			
7	*Spring, Torsion	RB1-2169-000			
8	*Cover, Sensor	RB1-2186-000			
9	*Mount, Connector	RB1-2187-000			
10	*Guide, Opening	RF5-0346-000			
11	*Spring, Compression	RS5-2175-000			
12	*Spring, Tension	RS5-2220-000			
13	*Motor, Driver/E. Feeder Cable (J604/J136)	RG5-0529-000			
14	*GUIDE ASSEMBLY, MP TRAY	RG5-0462-100			
14A	**Guide, MP Tray	RB1-2170-000			
14B	**Cover, MP Tray Guide	RB1-2171-000			
14C	**Holder, Separation Pad	RB1-2173-000			
14D	**Pad, Sub	RB1-2175-030			
14E	**Arm, Sensor	RB1-2176-030			
14F	**Lever, Sensor	RB1-2177-000			
14G	**Pad, Separation	RF5-0343-000	FD-41622-01		
14H	**Spring, Compression	RS5-2176-000			
14J	**Plate, Grounding	RB1-2194-000			
14K	**Module, Sensor	RG5-0514-000			
15	*Frame, Paper Feed Right	RB1-2137-000			
16	*Spring, Leaf	RB1-2139-030			
17	*Guide	RB1-2128-000			
18	*Holder, Guide Roller	RB1-2181-000			
19	*Roller, Guide	RB1-2182-000			
20	*Pin, Sensor Holder	RB1-2197-000			
21	*SENSOR HOLDER ASSEMBLY	RG5-0466-000			
21A	**Arm, Sensor (1)	RB1-2132-000			
21B	**Arm, Sensor (2)	RB1-2133-000			
21C	**Holder, Sensor	RB1-2134-000			
21D	**Spring, Tension	RS5-2171-000			
21E	**Photo-IC, TLP1230	WG5-0291-000			
21F	**Sensor, Cable (J605/J132/J133)	RG5-0528-000			

FIG. & ITEM NO.	DESCRIPTION	VENDOR PART NO.	DEC PART NO.	USED ON CODE	REF FIG NO.
12-					
22	*BASE ASSEMBLY, MP TRAY	RG5-0467-060			
22A	**Plate	RB1-2192-000			
22B	**Sheet, Separation	RB1-2149-000			
22C	**Roller, Arm	RB1-2152-000			
23	*Screw, M3 x 8	XA9-0591-000			
24	*Module Assembly, Paper Control	RG5-0512-000	FD-41611-01		
25	*Motor, Stepping (DC 3.6W)	RH7-1136-000			
26	*Screw, w/Washer (M3 x 21.5)	XA9-0667-000			
27	*Screw, Machine Truss Hd (M3 x 6)	XB1-2300-607			
28	*DRIVE ASSEMBLY, PICK-UP	N/A			10

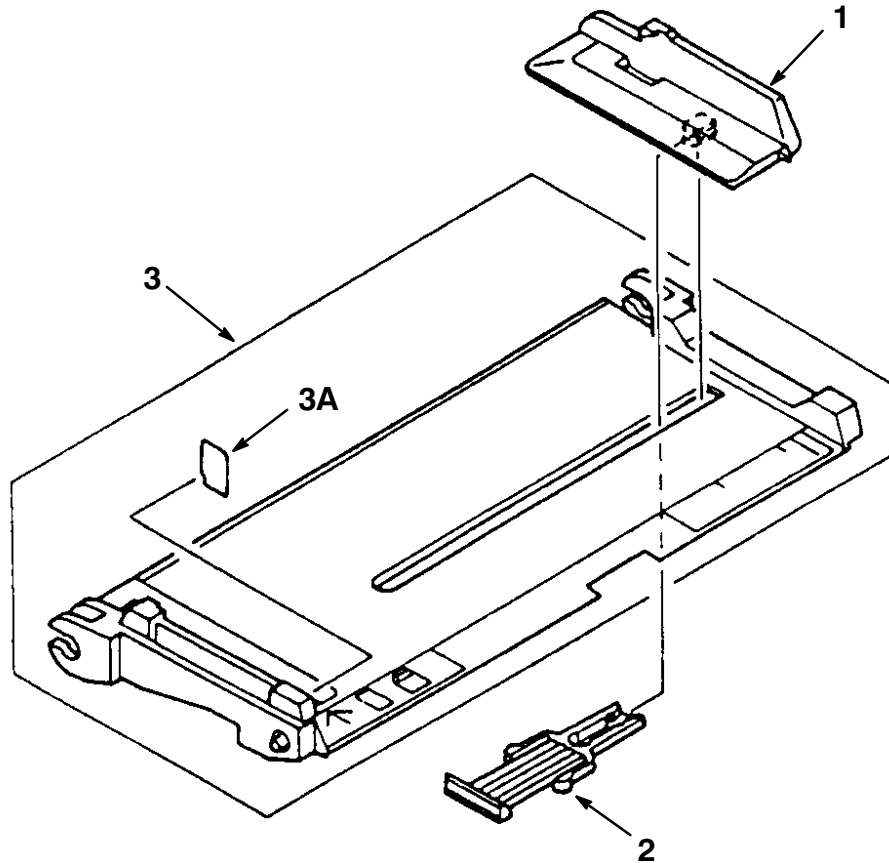
FIG. & ITEM NO.	DESCRIPTION	VENDOR PART NO.	DEC PART NO.	USED ON CODE	REF FIG NO.
13-	GUIDE ASSEMBLY, TRANSFER	RG5-0469-020			1,4
1	*Base, Guide	RB1-2116-000			
2	*Eliminator, Static Charge	RB1-2237-020			
3	*Guide, Upper	RB1-2244-000			
4	*Screw, TP (M3 x 6)	XA9-0267-000			



DL5100-13-SC

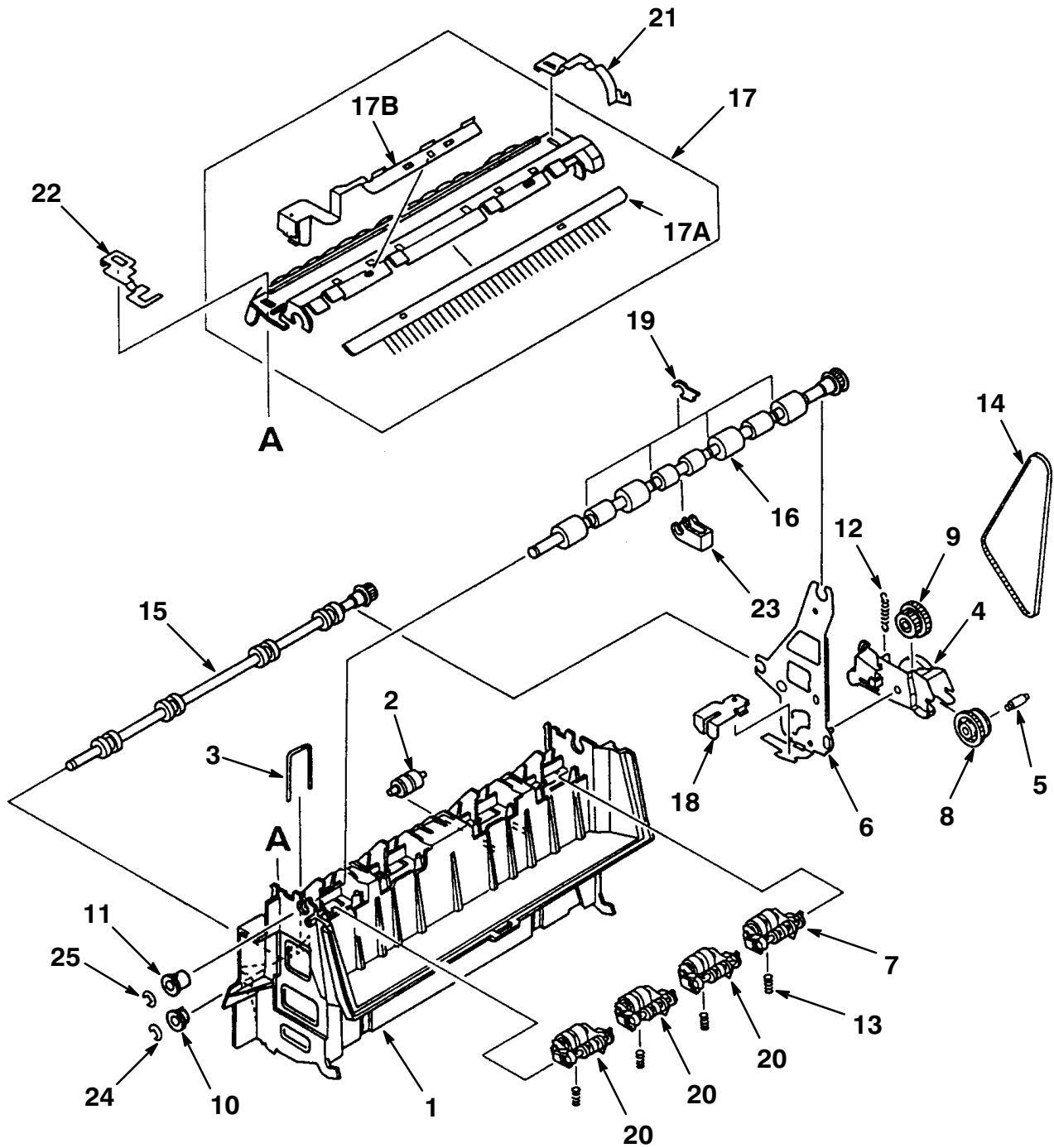
Figure 13. Guide Assembly, Transfer

FIG. & ITEM NO.	DESCRIPTION	VENDOR PART NO.	DEC PART NO.	USED ON CODE	REF FIG NO.
14-	TRAY ASSEMBLY, MULTI-PURPOSE		29-31473-01		1
1	*Guide, Slide	RB1-3766-000			
2	*Spring, Slide	RB1-2146-000			
3	*TRAY	RF5-0557-000			
3A	**Label, Limit	RS2-8161-000			



DL5100-14-SC

Figure 14. Tray Assembly, Multi-Purpose

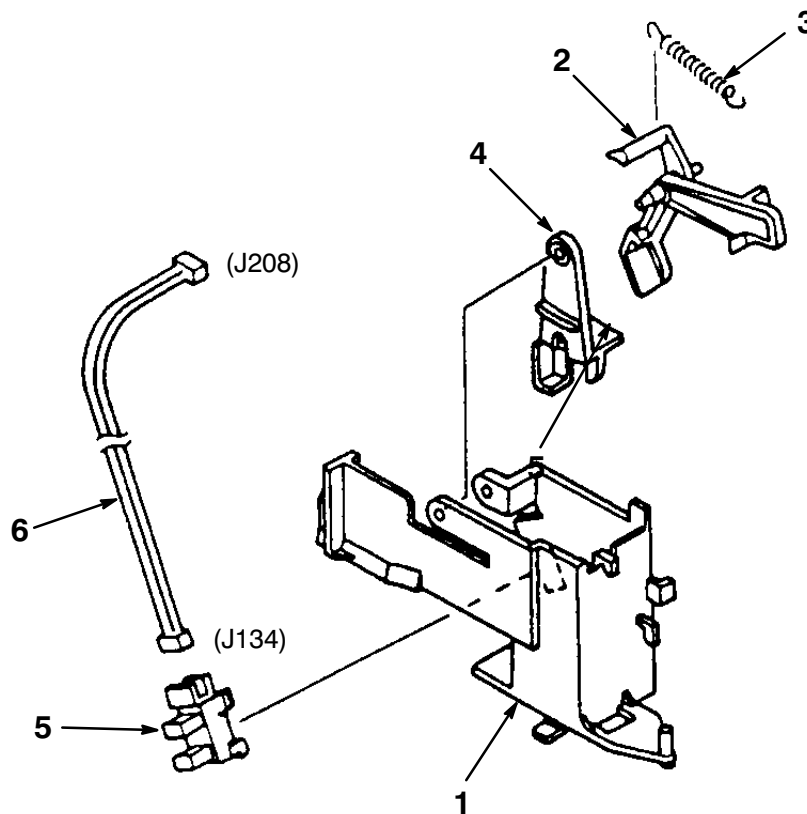


DL5100-15-SC

Figure 15. Delivery Assembly, Paper

FIG. & ITEM NO.	DESCRIPTION	VENDOR PART NO.	DEC PART NO.	USED ON CODE	REF FIG NO.
15-	DELIVERY ASSEMBLY, PAPER	RG5-0456-000	29-31521-01		1
1	*Frame, Delivery	RB1-3765-000			
2	*Roller, Delivery	RB1-2299-000			
3	*Spring, Roller	RB1-2302-000			
4	*Arm	RB1-2306-000			
5	*Shaft	RB1-2307-000			
6	*Plate, Positioning	RF5-0335-000			
7	*Holder, Roller	RF5-0425-000			
8	*Gear, 25T	RS5-0228-000			
9	*Gear, 23T	RS5-0229-000			
10	*Bushing	RS5-1059-000			
11	*Bushing	RS5-1060-000			
12	*Spring, Tension	RS5-2184-000			
13	*Spring, Compression	RS5-2185-000			
14	*Belt, Cogged	XF9-0410-000			
15	*Roller, Delivery, Lower	RF5-0438-000			
16	*Roller, Delivery, Upper	RF5-0652-000			
17	*GUIDE, DELIVERY, UPPER	RF5-0647-000			
17A	**Eliminator, Static Charge	RB1-2309-000			
17B	**Spring, Grounding	RB1-2294-000			
18	*Spring, Leaf	RB1-2295-000			
19	*Plate, Paper Pressing	RB1-2850-000			
20	*Holder, Roller	RF5-0488-000			
21	*Spring, Leaf	RB1-2967-000			
22	*Spring, Leaf	RB1-3442-000			
23	*Plate, Paper Pressing	RB1-3466-000			
24	*Ring, E-	XD2-1100-402			
25	*Ring, E-	XD2-1100-502			

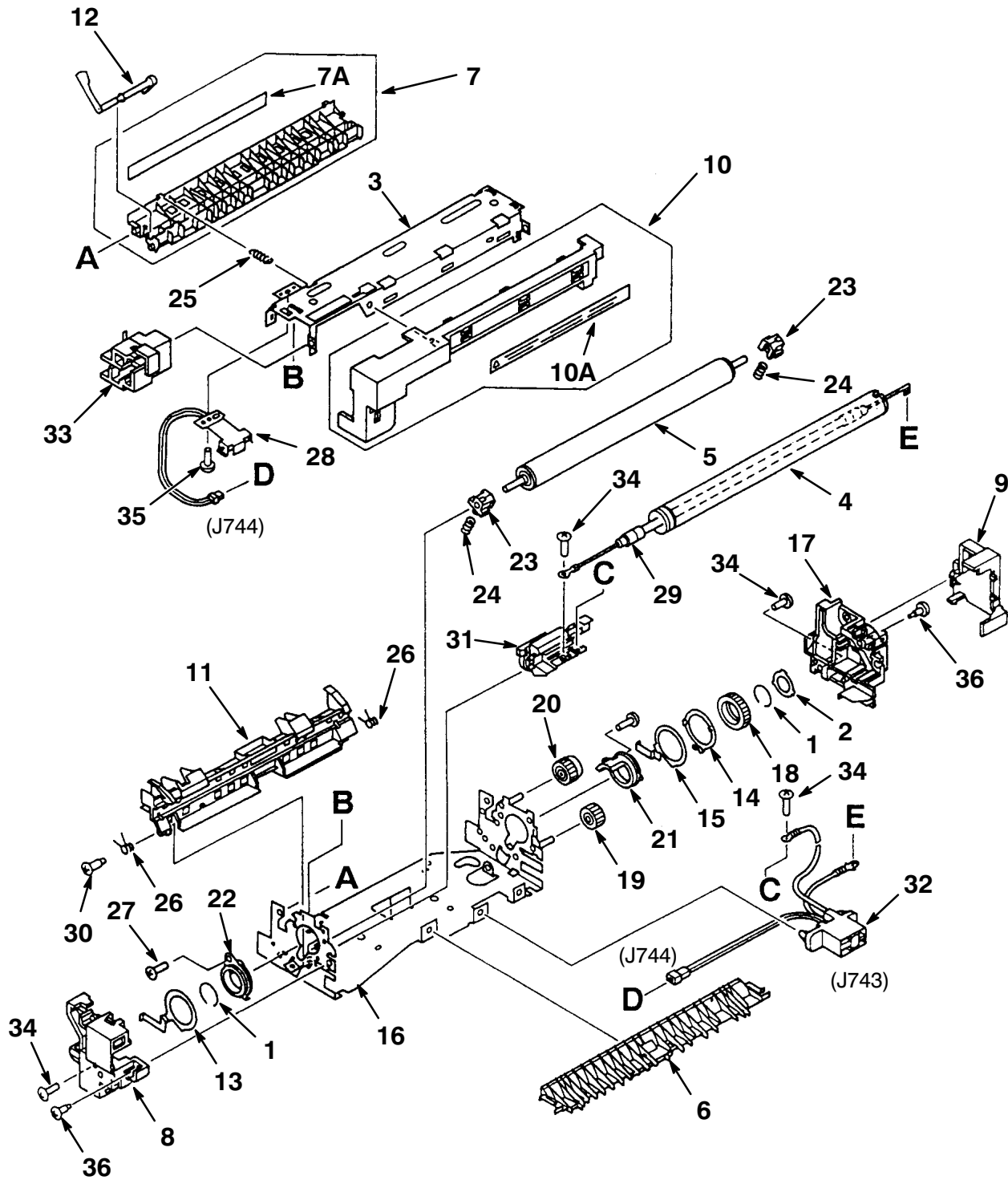
FIG. & ITEM NO.	DESCRIPTION	VENDOR PART NO.	DEC PART NO.	USED ON CODE	REF FIG NO.
16-	SENSOR ASSEMBLY, PAPER OUT	RG5-0475-060	FD-42843-01		1
1	*Holder, Sensor	RB1-2109-030			
2	*Lever, Sensor	RB1-2110-000			
3	*Spring, Tension	RS5-2169-000			
4	*Arm, Sensor	RB1-2115-040			
5	*Photo-IC, TLP 1230	WG8-0291-000			
6	Cable, DC Cont./Delivery Sensor (J208/J134) (See Note)	RG5-0522-000			
	NOTE: Item 6 not part of this assembly Shown for reference only.				



DL5100-16-SC

Figure 16. Sensor Assembly, Paper Out

THIS PAGE INTENTIONALLY LEFT BLANK



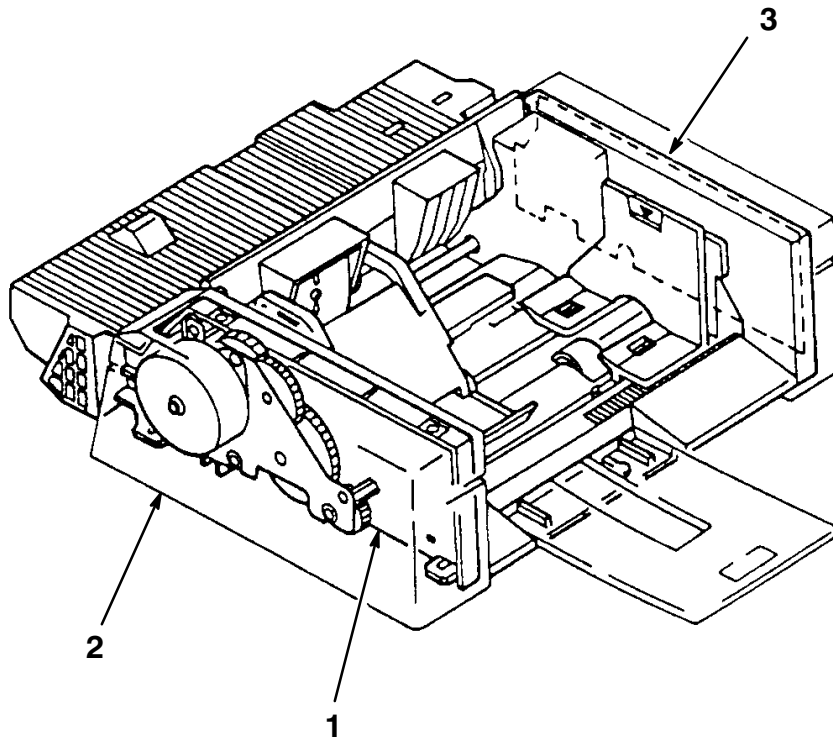
DL5100-17-SC

Figure 17. Fusing Assembly

FIG. & ITEM NO.	DESCRIPTION	VENDOR PART NO.	DEC PART NO.	USED ON CODE	REF FIG NO.
17-	FUSING ASSEMBLY (100-115V)	RG5-0454-060	FD-41594-01		1,7
	FUSING ASSEMBLY (220-240V)	RG5-0455-060	FD-41595-01		1,7
1	*Ring, Roller	RA1-7584-000			
2	*Washer, Grounding	RB2-2287-000			
3	*Frame, Fixing, Upper	RB1-2262-000			
4	*Roller, Upper	RB1-2263-000			
5	*Roller, Lower	RB1-2264-000			
6	*Guide, Paper Entrance	RB1-2265-000			
7	*GUIDE, SEPARATION	RF5-0536-000			
7A	**Label	RS5-8168-000			
8	*Cover, Left	RF5-0428-000			
9	*Cover	RB1-2270-000			
10	*COVER, WIRE	RF5-0535-000			
10A	**Label	RF5-8168-000			
11	*Guide, Separation, Lower	RB1-2272-000			
12	*Lever, Sensor	RB1-2273-020			
13	*Lever, Release	RB1-2274-020			
14	*Clamp, Plate, Release	RB1-2284-000			
15	*Lever, Release, Right	RB1-2285-020			
16	*Frame, Fixing	RF5-0353-000			
17	*Cover, Right	RF5-0427-020			
18	*Gear, 34T	RS5-0230-000			
19	*Gear, 19T	RS5-0231-000			
20	*Gear, 23T	RS5-0232-000			
21	*Bushing, Roller, Right	RS5-1063-000			
22	*Bushing, Roller, Left	RS5-1064-000			
23	*Bushing, Lower Roller	RS5-1065-000			
24	*Spring, Compression	RS5-2168-000			
25	*Spring, Tension	RS5-2180-000			
26	*Spring, Guide	RB1-2286-000			
27	*Screw, TP (M3 x 6)	XA9-0267-000			
28	*Thermistor	RH7-7045-000			
29	*Heater, Halogen (100-115V)	RH7-4046-000			
	*Heater, Halogen (220-240V)	RH7-4048-000			
30	*Screw, Stepped M3	RS5-9055-000			
31	*Thermo-switch Assembly	RG5-0474-000			
32	*Cable, Fixing Unit (J743/J744)	RG5-0537-000			
33	*Cover, Heater	RB1-2289-000			
34	*Screw, w/Washer (M3 x 6)	XB2-8300-607			
35	*Screw, TP (M3 x 4)	XB6-7300-409			
36	*Screw, Stepped w/Washer (M3)	RF5-0716-000			

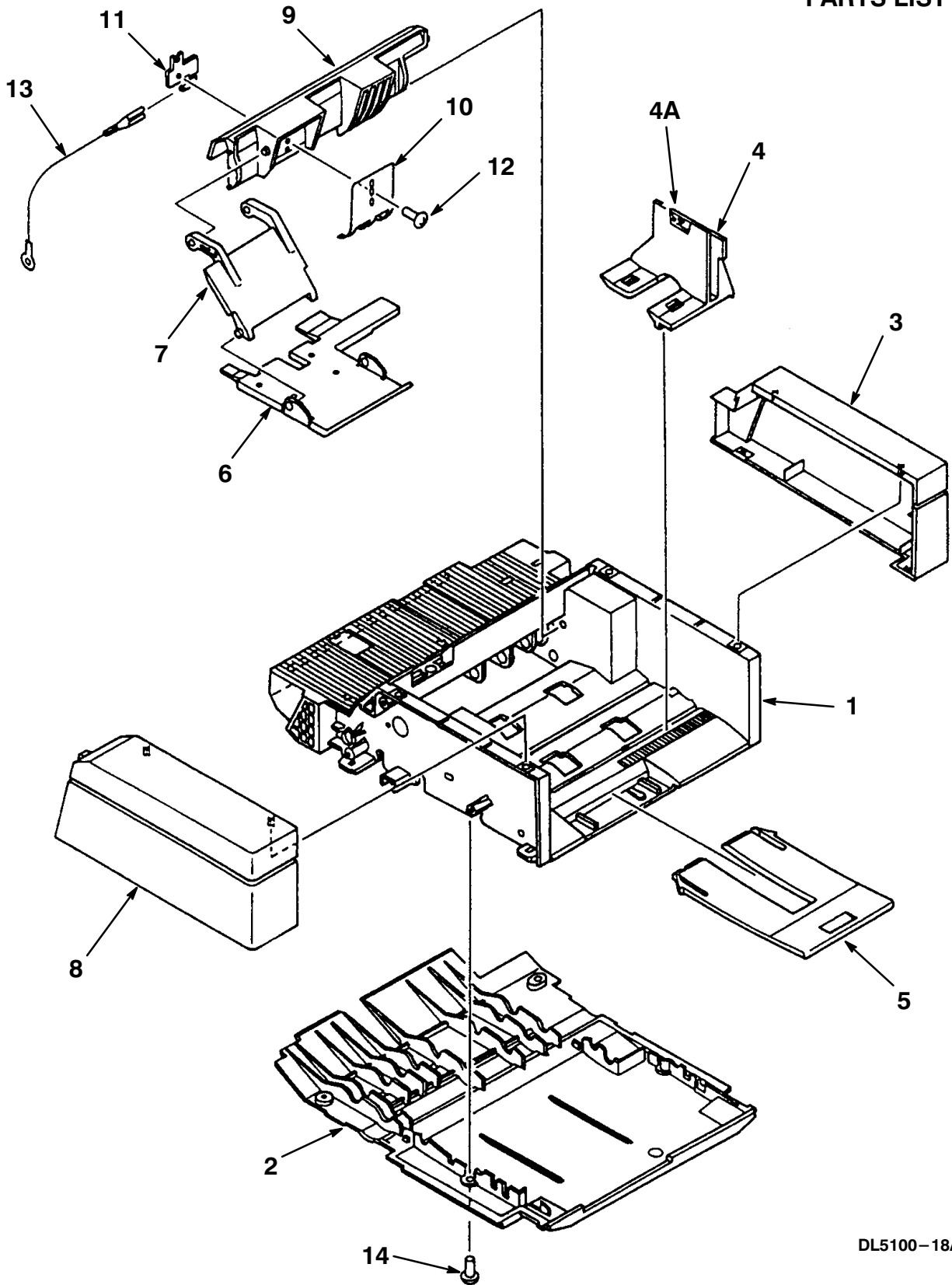
ENVELOPE FEEDER 

FIG. & ITEM NO.	DESCRIPTION	VENDOR PART NO.	DEC PART NO.	USED ON CODE	REF FIG NO.
18-	FEEDER ASSEMBLY, ENVELOPE		LN0XX-EF		1
1	*COMPONENTS, EXTERNAL (E. FEEDER)	N/A			18A
2	*COMPONENTS, INTERNAL (E. FEEDER)	N/A			18B
3	*Module Assembly, Envelope Feeder	N/A	RG5-0576-000		



DL5100-18-SC

Figure 18. Feeder Assembly, Envelope

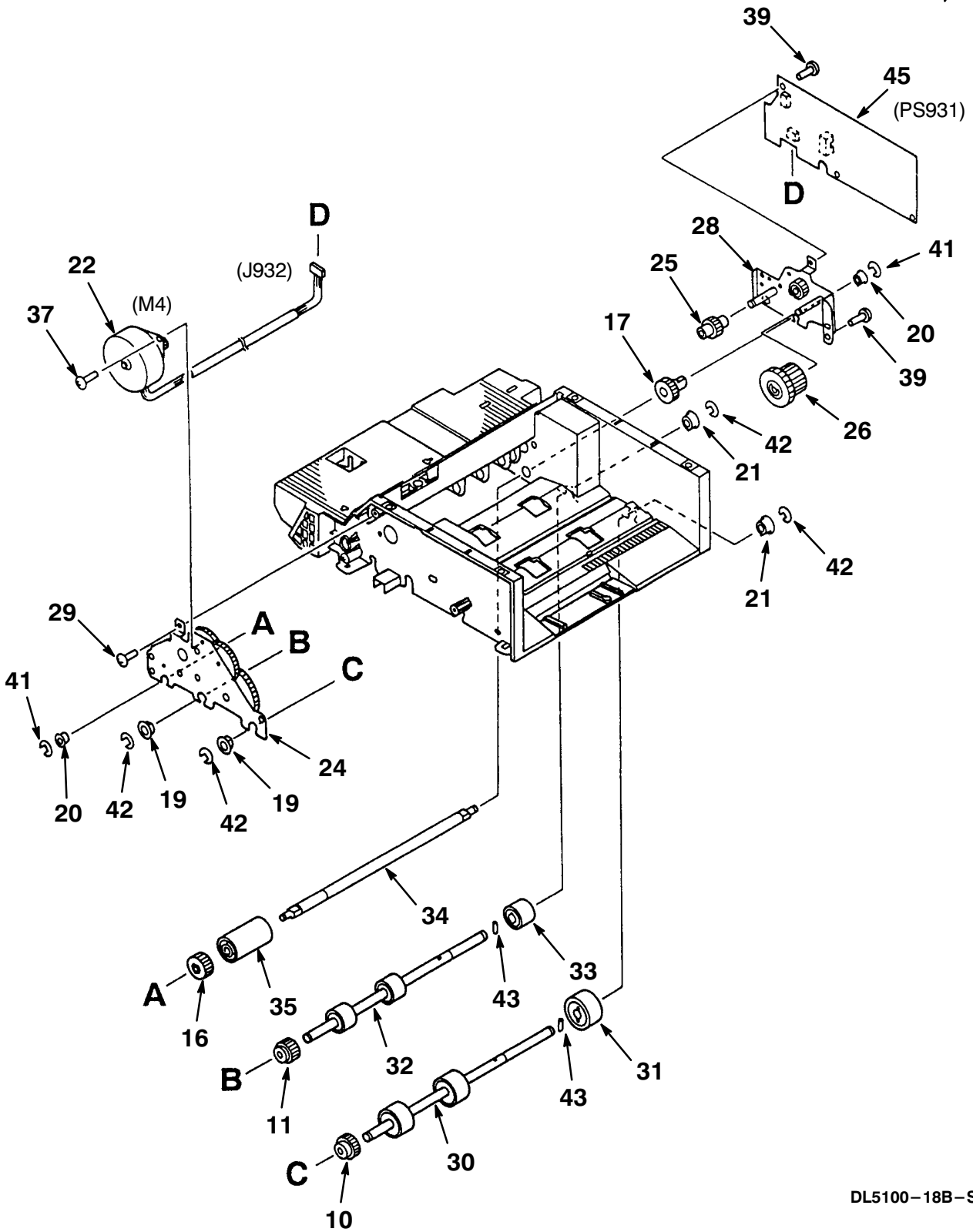


DL5100-18A-SC

Figure 18A. External Covers, Panels, Etc. – Envelope Feeder

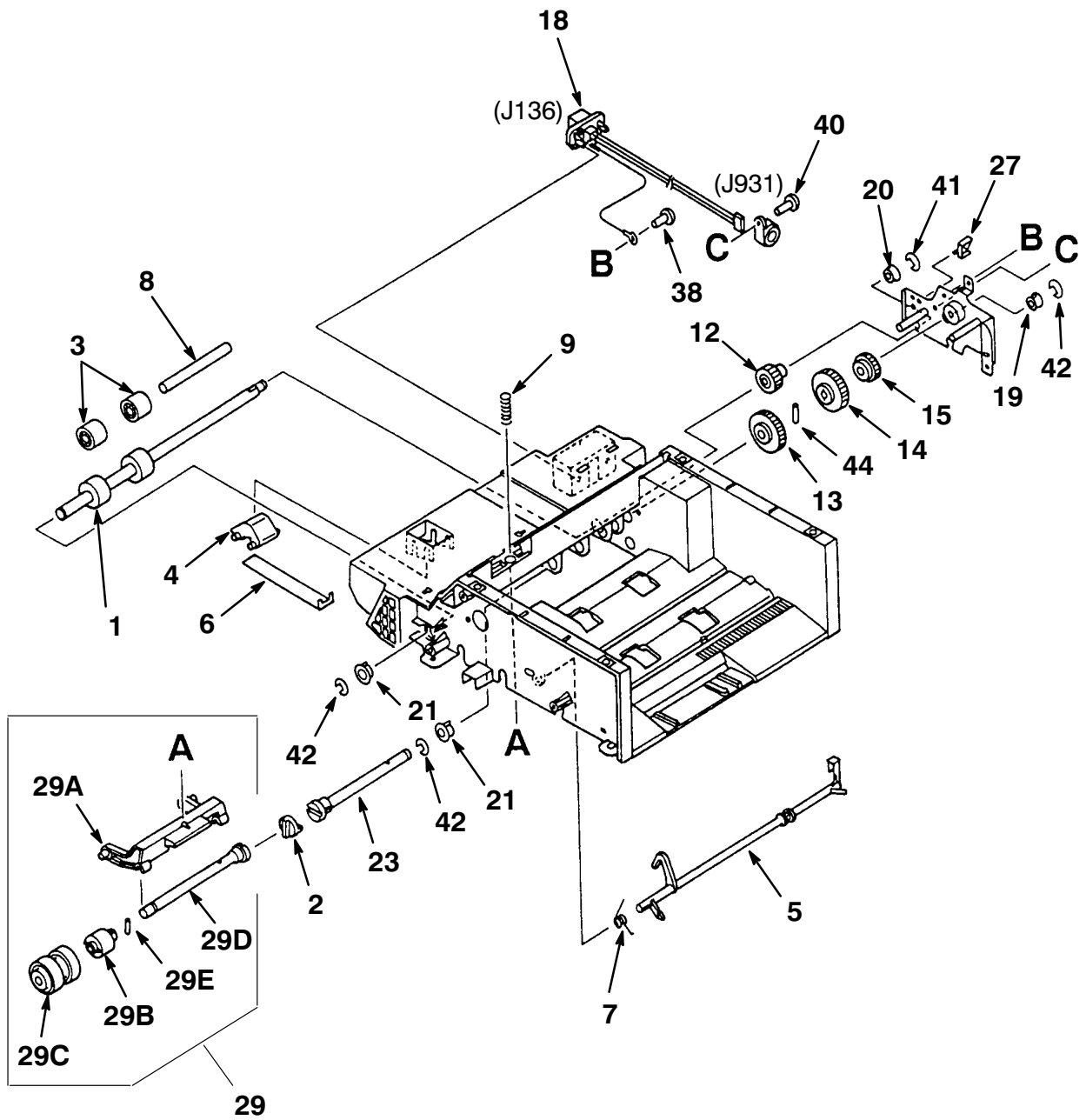
FIG. & ITEM NO.	DESCRIPTION	VENDOR PART NO.	DEC PART NO.	USED ON CODE	REF FIG NO.
18A-	EXTERNAL COVERS, PANELS, ETC - ENVELOPE FEEDER	N/A			18
1	*Frame	RA2-1620-000			
2	*Cover, Lower	RA2-1623-000			
3	*Cover, Right	RA2-1621-000			
4	*PLATE, SIDE GUIDE	RF1-3556-000			
4A	**Label	RS2-8168-000			
5	*Tray, Extension	RA2-1628-000			
6	*Weight	RF1-3560-000			
7	*Arm, Weight	RA2-1627-000			
8	*Cover, Left	RF1-3555-000			
9	*Plate, Limit	RA2-1624-000			
10	*Plate, Separation Guide	RA2-1575-000			
11	*Nut, Plate	RA2-1624-000			
12	*Screw, TP M3 x 6	XB5-6300-807			
13	*Cable Assembly	RG5-0578-000			
14	*Screw, Pan Hd Tapping (M4 x 12)	XB4-7401-207			

PARTS LIST



DL5100-18B-SC

Figure 18B. Internal Components – Envelope Feeder (Sheet 1 of 2)



DL5100-18BA-SC

Figure 18B. Internal Components – Envelope Feeder (Sheet 2 of 2)

FIG.& ITEM NO.	DESCRIPTION	VENDOR PART NO.	DEC PART NO.	USED ON CODE	REF FIG NO.
18B-	INTERNAL COMPONENTS – ENVELOPE FEEDER ASSEMBLY	N/A			18
1	*Roller, Paper Feed	RA2-1563-000			
2	*Joint	RA2-1565-000			
3	*Roller	RA2-1567-000			
4	*Plate, Pressure	RA2-1629-000			
5	*Lever, Sensor	RA2-1569-000			
6	*Spring, Leaf	RA2-1570-000			
7	*Spring, Torsion	RA2-1571-000			
8	*Shaft, Paper Feed	RA2-1572-000			
9	*Spring, Compression	RS1-2386-000			
10	*Gear, 24T	RS1-0554-000			
11	*Gear, 20T	RS1-0555-000			
12	*Gear, 20T	RS1-0561-000			
13	*Gear, 36T	RS1-0556-000			
14	*Gear, 36T	RS1-0557-000			
15	*Gear, 24T	RS1-0558-000			
16	*Gear, 22T	RS1-0559-000			
17	*Gear, 22T	RS1-0560-000			
18	*Cable Assembly, E. Feeder (J136/J931)	RG5-0577-000			
19	*Bushing	RS1-1053-000			
20	*Bushing	FS1-1433-000			
21	*Bushing	FS1-1187-000			
22	*Motor, Stepping DC (3.1W)	RH7-1154-000			
23	*Shaft, Drive	RF1-3550-000			
24	*Drive Assembly, Left	RG1-3110-000			
25	*Gear, 20T	RS1-0552-000			
26	*Gear, 42T/28T	RS1-0553-000			
27	*Clamp	WT2-0434-000			
28	*Plate, Right Drive	RF1-3543-000			
29	*SEPARATION ASSEMBLY	RG1-3112-000			
29A	**Arm, Registration	RA2-1579-000			
29B	**Limiters, Torque	RA2-1582-000			
29C	**Roller, Upper	RF1-3548-000			
29D	**Shaft, Separation Roller	RF1-3549-000			
29E	**Pin, Spring	XD3-1200-102			

FIG. & ITEM NO.	DESCRIPTION	VENDOR PART NO.	DEC PART NO.	USED ON CODE	REF FIG NO.
18B-	INTERNAL COMPONENTS – ENVELOPE FEEDER ASSEMBLY (continued)	N/A			18
30	*Shaft, Paper Pick-Up 1	RA2-1589-000			
31	*Roller, Paper Pick-Up 1	RF1-3546-000			
32	*Shaft, Paper Pick-Up 2	RA2-1592-000			
33	*Roller, Paper Pick-Up 2	RF1-3547-000			
34	*Shaft, Separation Lower	RA2-1586-000			
35	*Roller, Separation Lower	RF1-3545-000			
36	*Ferrite Core	WE8-5171-000			
37	*Screw, Machine Truss Hd (M3 x 6)	XB1-2300-607			
38	*Screw, Machine Truss Hd (M4 x 6)	XB1-2400-607			
39	*Screw, Tapping Pan Hd (M4 x 10)	XB4-7401-007			
40	*Screw, TP (M3 x 8)	XB5-6300-807			
41	*Ring, E-	XD2-1100-322			
42	*Ring, E-	XD2-1100-502			
43	*Pin, Dowel	XD3-2200-082			
44	*Pin, Dowel	XD3-2200-102			
45	*Module Assembly, Envelope Feeder	RG5-1579-000			

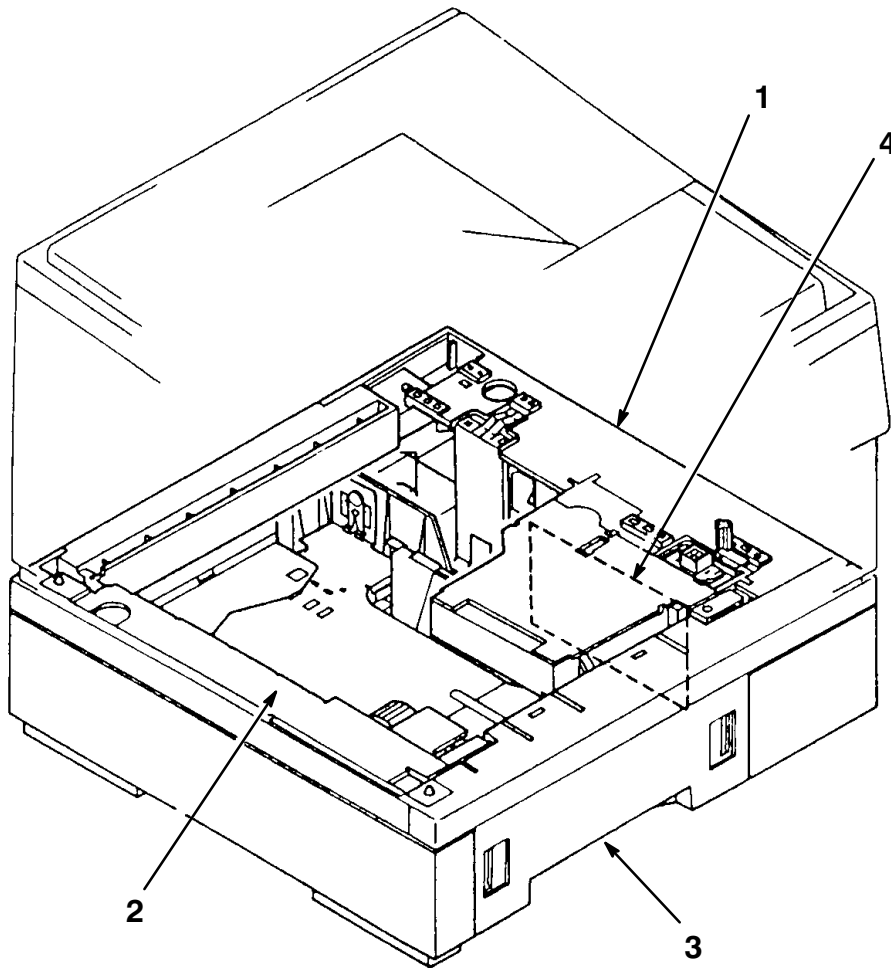
THIS PAGE INTENTIONALLY LEFT BLANK

LCIT – 

(LARGE CAPACITY INPUT TRAY)

THIS PAGE INTENTIONALLY LEFT BLANK

FIG. & ITEM NO.	DESCRIPTION	VENDOR PART NO.	DEC PART NO.	USED ON CODE	REF FIG NO.
19-	LCIT ASSEMBLY, UNIVERSAL SIZE - 500 SHEET	N/A	LN0XX-TB		
1	*MAIN BODY, PAPER FEEDER (LCIT)	N/A			19A
2	*DRIVE ASSEMBLY, PAPER FEEDER (LCIT)	RG5-0782-000			19B
3	*TRAY, INPUT (UNIVERSAL - 500 SHEET)		LN0XX-TC		19C
4	*Module Assembly, Paper Feeder (LCIT)	RG5-0541-000	FD-41598-01		

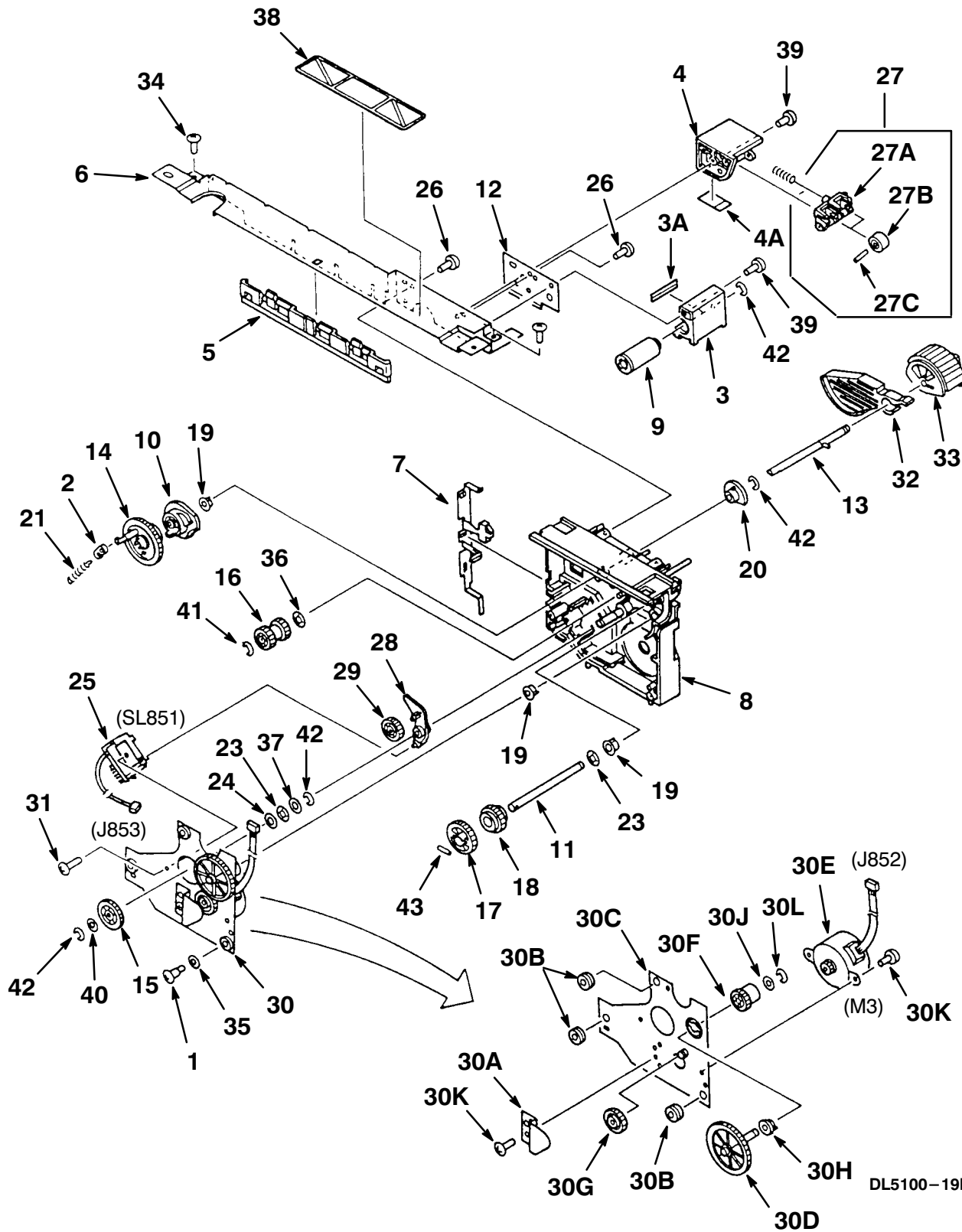


DL5100-19-SC

Figure 19. LCIT Assembly, Universal Size - 500 Sheet

FIG. & ITEM NO.	DESCRIPTION	VENDOR PART NO.	DEC PART NO.	USED ON CODE	REF FIG NO.
19A-	MAIN BODY, PAPER FEEDER - (LCIT)	N/A	FD-41623-01		1,19
1	*Frame, Right	RB1-3285-000			
2	*Frame, Front	RB1-2603-000			
3	*Frame, Rear	RB1-3286-000			
4	*Cover, Front	RB1-3287-000			
5	*Cover	RB1-2628-000			
6	*Plate, Grounding	RB1-2647-000			
7	*Frame, Left	RB1-3284-000			
8	*Click, Spring	RF5-0374-000			
9	*Shaft	RF5-0375-000			
10	*FRAME, LOWER ASSEMBLY	RG5-0482-000			
10A	**Foot, Rubber	RB1-2626-000			
11	*COVER ASSEMBLY, MOUNT	RG5-0483-000			
11A	**Roller, Guide	RB1-2616-000			
11B	**Spring, Leaf	RB1-2629-000			
11C	**Coupler, Guide	RB1-2630-000			
11D	**Arm, Sensor	RB1-2615-000			
11E	**Spring, Tension	RS5-2203-000			
11F	**Cable, Paper Feeder (J851/J135)	RG1-0542-000			
11G	**Tie, Cable	WT2-0030-000			
11H	**Screw, M3 x 8	XA9-0591-000			
12	*Cover, Inner	RB1-2609-000			
13	*Spring, Leaf	RB1-2617-000			
14	*Screw, M3 x 8	XA9-0591-000			
15	*Screw, TP M3 x 4	XA9-0326-000			
16	*Screw, M4 x 8	XA9-0615-000			
17	*Tie, Cable	WT2-0030-000			
18	*Cover, Rear Cassette	RB1-3289-000			
19	*Screw, TP, M3 x 10	XB6-7301-000			
20	*Module Assembly, Paper Feeder (LCIT)	RG5-0541-000	FD-41598-01		

THIS PAGE INTENTIONALLY LEFT BLANK



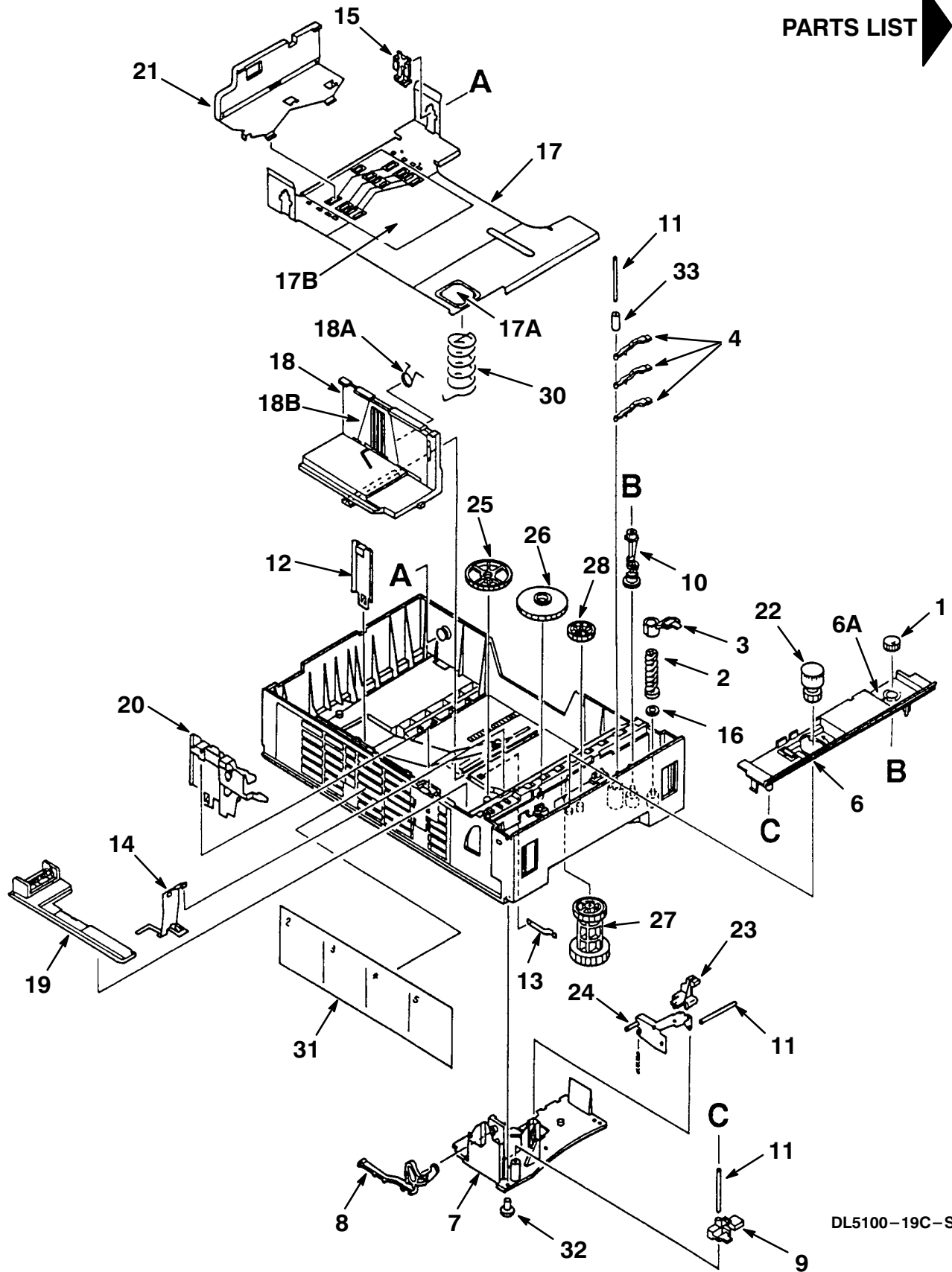
DL5100-19B-SC

Figure 19B. Drive Assembly, Paper Feeder (LCIT)

FIG.& ITEM NO.	DESCRIPTION	VENDOR PART NO.	DEC PART NO.	USED ON CODE	REF FIG NO.
19B-	DRIVE ASSEMBLY, PAPER FEEDER (LCIT)	RG5-0782-000			19
1	*Screw, Stepped (M3)	RA1-7636-000			
2	*Collar, Spring	RB1-2190-000			
3	*GUIDE, FRONT	RF5-0377-000			
3A	**Plate, Guide	RB1-2648-000			
4	*Guide, Rear	RF5-0378-000			
4A	**Plate, Guide	RB1-2649-000			
5	*Rail, Guide	RB1-2613-000			
6	*Plate,	RB1-2614-000			
7	*Spring, Leaf	RB1-2625-000			
8	*Block, Drive	RB1-3288-000			
9	*Roller, Feeder	RB1-2635-000			
10	*Cam, Pick-Up	RB1-2636-000			
11	*Shaft, Feeder	RB1-2639-000			
12	*Shim	RB1-2641-000			
13	*Shaft, Pick-Up	RF5-0372-000			
14	*Gear, 45T	RS5-0267-000			
15	*Gear, 22T/48T	RS5-0269-000			
16	*Gear, 26T/26T	RS5-0272-000			
17	*Gear, 39T	RS5-0273-000			
18	*Gear, 33T	RS5-0274-000			
19	*Bushing, M	RS5-1075-000			
20	*Bushing, L	RS5-1076-000			
21	*Spring, Tension	RS5-2201-000			
22	*Spring, Compression	RS5-2202-000			
23	*Washer, Wave	RS5-6114-000			
24	*Spacer	RS5-6115-000			
25	*Solenoid (DC 24V)	RH7-5080-000			
26	*Screw, (M3 x 8)	XA9-0591-000			
27	*HOLDER ASSEMBLY, ROLLER	RG5-0484-000			
27A	**Holder, Roller	RB1-2622-000			
27B	**Roller	RS5-6113-000			
27C	**Pin, Dowel	XD3-2200-102			
28	Pendulum	RB1-2637-000			
29	*Gear, 25T	RS5-0268-000			

FIG. & ITEM NO.	DESCRIPTION	VENDOR PART NO.	DEC PART NO.	USED ON CODE	REF FIG NO.
19B-					
30	*PLATE ASSEMBLY	RG5-0486-000			
30A	**Angle	RB1-2642-000			
30B	**Damper, Rubber	RB1-2643-000			
30C	**Plate	RF5-0371-000			
30D	**Gear, 70T	RF5-0376-000			
30E	**Motor, Stepping (LCIT) (DC 3.3W)		29-31507-01		
30F	**Gear, 25T	RS5-0271-000			
30G	**Gear, 31T	RS5-0275-000			
30H	**Bushing, S	RS5-1074-000			
30J	**Spacer	RS5-6115-000			
30K	**Screw, Machine Truss Hd (M3 x 5)	XB1-2300-507			
30L	**Ring, E-	XD2-1100-502			
31	*Screw, TP (M3 x 6)	XA9-0267-000			
32	*Weight	RB1-2627-000			
33	*Roller, Pick-Up	RB1-2632-000	FD-41631-01		
34	*Screw (M3 x 8)	XA9-0591-000			
35	*Washer	RS5-6116-000			
36	*Washer, Wave	RS5-6117-000			
37	*Spacer, No. 2	RS5-6131-000			
38	*Label (See Note)	RS5-8239-000			
39	*Screw, Machine Truss Hd (M3 x 10)	XB1-2301-009			
40	*Washer, Shim	XD1-1106-232			
41	*Ring, E-	XD2-1100-402			
42	*Ring, E-	XD2-1100-502			
43	*Pin, Dowel	XD3-2200-122			

THIS PAGE INTENTIONALLY LEFT BLANK



DL5100-19C-SC

Figure 19C. Tray Assembly, Universal Input – 500 Sheet

FIG. & ITEM NO.	DESCRIPTION	VENDOR PART NO.	DEC PART NO.	USED ON CODE	REF FIG NO.
19C-	TRAY ASSY., UNIVERSAL INPUT - 500 SH.		LN0XX-TC		19
1	*Dial	RB1-2375-000			
2	*Gear, 28T	RB1-2377-000			
3	*Arm, Display	RB1-2957-000			
4	*Arm	RB1-2347-000			
5	NOT USED				
6	*COVER, FRONT	RF5-0662-020			
6A	**Label, Paper Size	RS5-8221-000			
7	*Cover, Rear	RB1-3298-000			
8	*Arm, Sensor	RB1-2417-000			
9	*Block, Display	RB1-3295-000			
10	*Cam, Size	RB1-2423-000			
11	*Pin, Size	RB1-2424-000			
12	*Plate, Rear	RB1-2430-000			
13	*Spring, Leaf	RB1-2431-000			
14	*Plate, Front	RB1-2432-000			
15	*Plate, Fixing	RB1-3299-000			
16	*Spacer	RB1-2426-000			
17	*PLATE, PAPER LIFTING (L Type)	RF5-0666-000			
17A	**Sheet, Friction	RB1-2419-000			
17B	**Label, Operation (L Type)	RS5-8199-000			
18	*PLATE, SIDE LIMIT	RF5-0440-000			
18A	**Spring, Torsion	RS1-2195-020			
18B	**Spring, Leaf	RF5-0669-000			
19	*Rack, 29T	RF5-0441-000			
20	*Plate, Front	RF5-0445-000			
21	*Plate, End	RF5-0446-000			
22	*Gear, Knob 17T	RF5-0668-000			
23	*Coupler, Display	RB1-3303-000			
24	*Plate, Pressure Display	RF5-0443-000			
25	*Gear, 45T/20T	RS5-0255-000			
26	*Gear, 47T	RS5-0256-000			
27	*Gear, 29T/41T	RS5-0257-000			
28	*Gear, 26T	RS5-0258-000			
29	*Spring, Tension	RS5-2192-000			
30	*Spring, Compression	RS5-2193-000			
	*Spring, Compression	RS5-2193-000			
31	*Label, Operation	RS5-2194-000			
32	*Screw, M3 x 8	XA9-0591-000			
33	*Spacer	XZ1-1301-805			Ω

PART NUMBER/DESCRIPTION INDEX 

THIS PAGE INTENTIONALLY LEFT BLANK

INDEX BY DEC/VENDOR PART NUMBER

DEClaser 5100

PART NO.	DESCRIPTION	FIG NO.	ITEM NO.
12-36175-01	Strap, Grounding Wrist Disposable	1	N/A
17-00198-14	Power Cord, (BN19H-2E) (240V)	1	17
17-00199-21	Power Cord, (BN19C-2E) (220V)	1	17
17-00209-15	Power Cord, (BN19A-2A) (240V)	1	17
17-00310-08	Power Cord, (BN19K-2E) (220V)	1	17
17-00364-18	Power Cord, (BN19M-2E) (220V)	1	17
17-00457-16	Power Cord, (BN18L-2E) (240V)	1	17
21-40579-01	EEPROM, I.C - Page Count Memory	1	12A
29-31472-01	Door, Multipurpose	2	3
29-31473-01	TRAY ASSEMBLY, MULTI-PURPOSE	1	15
29-31473-01	TRAY ASSEMBLY, MULTI-PURPOSE	14	N/A
29-31474-01	CONTROL PANEL ASSEMBLY	2	6
29-31475-01	Brush, Cleaning (RB1-2260-000)	3	7
29-31506-01	TRANSFER BLOCK ASSEMBLY (RG5-0468-000)	7	4
29-31507-01	Motor, Stepping (LCIT) (DC 3.3W)	19B	30E
29-31521-01	DELIVERY ASSEMBLY, PAPER (RG5-0456-000)	1	9
29-31521-01	DELIVERY ASSEMBLY, PAPER (RG5-0456-000)	15	N/A
47-00159-01	Screwdriver, Phillips PTS	1	N/A
54-23283-01	Module, LN09 High Resolution Option	1	N/A
54-23283-01	Module, LN09 High Resolution Option	1	N/A
70-29116-01	Handle Assembly, Hard Disk	1	N/A
74-48329-01	Tool, Hard Disk Installation	1	N/A
EK-D5100-DI	Documentation, DEClaser 5100 Printer Resolution	1	N/A
EK-D5100-IN	Documentation, DEClaser 5100 Disk Option Guide	1	N/A
EK-DL51M-IN	Documentation, DEClaser 5100 Mem. Option Guide	1	N/A
FA9-1449-000	Screw, Truss Hd w/Washer	5	14
FD-41593-01	Fan, Exhaust (RH7-1143-000)	5	8
FD-41594-01	FUSING ASSEMBLY {100-115V} (RG5-0454-060)	7	16
FD-41594-01	FUSING ASSEMBLY {100-115V} (RG5-0454-060)	1	1
FD-41594-01	FUSING ASSEMBLY {100-115V} (RG5-0454-060)	17	N/A
FD-41595-01	FUSING ASSEMBLY {220-240V} (RG5-0455-060)	17	N/A
FD-41595-01	FUSING ASSEMBLY {220-240V} (RG5-0455-000)	7	16
FD-41595-01	FUSING ASSEMBLY {220-240V} (RG5-0455-060)	1	1
FD-41597-01	Motor, Main DC (5.8W) (RH7-1151-000)	5	9
FD-41598-01	Module Assembly, Paper Feeder (RG5-0541-000)	19	4
FD-41600-01	MODULE, DC CONTROLLER (RG5-0511-000)	1	13
FD-41600-01	Module, DC Controller (RG5-0511-000)	5	19
FD-41611-01	Module Assembly, Paper Control (RG5-0512-000)	1	7
FD-41611-01	Module Assembly, Paper Control (RG5-0512-000)	12	24
FD-41614-01	Power Supply Assy {100-115V} (RG5-0531-000)	5	12
FD-41616-01	Power Supply Assy {220-240V} (RG5-0553-000)	5	12
FD-41622-01	Pad, Separation (RF5-0343-000)	12	14G
FD-41623-01	FEED ASSEMBLY, PAPER (RG5-0451-160)	1	3
FD-41623-01	FEED ASSEMBLY, PAPER (RG5-0451-160)	12	N/A
FD-41623-01	MAIN BODY, PAPER FEEDER	19A	N/A
FD-41623-01	PICK-UP ASSEMBLY, PAPER (RG5-0451-000)	7	17
FD-41629-01	Roller, Pick-Up (RB1-2126-000)	12	1
FD-41630-01	Roller, MP Tray Pick-up (RB1-2127-000)	12	2

INDEX BY DEC PART NUMBER

DEClaser 5100

PART NO.	DESCRIPTION	FIG NO.	ITEM NO.
FD-41631-01	Roller, Pick-Up (RB1-2632-000)	19B	33
FD-41633-01	Roller, Transfer (RF5-0349-000)	7	13
FD-42843-01	SENSOR ASSEMBLY, PAPER OUT (RG5-0475-060)	1	10
FD-42843-01	SENSOR ASSEMBLY, PAPER OUT (RG5-0475-060)	16	N/A
FD-42845-01	GEAR ASSEMBLY, MAIN DRIVE (RG5-0457-000)	1	2
FD-42845-01	GEAR ASSEMBLY, MAIN DRIVE (RG5-0457-000)	5	18
FD-42845-01	GEAR ASSEMBLY, MAIN DRIVE (RG5-0457-000)	9	N/A
FE-HPA515-QR	LASER SCANNER ASSEMBLY (RG5-0449-020)	4	19
FS1-1187-000	Bushing	18B	21
FS1-1433-000	Bushing	18B	20
FS3-8377-000	Label	7	4N
LN09-A2	Printer, 8 PPM Simplex Laser {115V}	1	16
LN09-A3	Printer, 8 PPM Simplex Laser {240V}	1	16
LN09-AD	DEClaser 5100 (Denmark)	1	N/A
LN09-AE	DEClaser 5100 (UK/Ireland)	1	N/A
LN09-AI	DEClaser 5100 (Italian)	1	N/A
LN09-AS	DEClaser 5100 (Spanish)	1	N/A
LN09-AT	DEClaser 5100 (Israel)	1	N/A
LN09-AZ	DEClaser 5100 (Australia/New Zealand)	1	N/A
LN09-CA	DEClaser 5100 (US/Canada)	1	N/A
LN09-CB	DEClaser 5100 (Swiss)	1	N/A
LN09-CC	DEClaser 5100 (Sweden, Norway, Finland, Port.)	1	N/A
LN09-CD	DEClaser 5100 (Belgium, Holland, France, Germany)	1	N/A
LN09X-HD	Drive, LN09X Internal Hard Disk Option	1	N/A
LN09X-KI	Country Kit, Italian	1	N/A
LN09X-KS	Country Kit, Spanish	1	N/A
LN09X-MA	Module, 4 MB Memory SIMM Option	1	N/A
LN09X-MB	Country Kit, Swiss	1	N/A
LN09X-MD	Country Kit, Belgium, Holland, France	1	N/A
LN09X-ME	Module, 16 MB Memory SIMM Option	1	N/A
LN09X-MF	Module, 32 MB Memory SIMM Option	1	N/A
LN09X-NR	Module, Non-Roman Font Card Option	1	N/A
LN09X-NW	Module, Multi-Protocol Ethernet Network Card	1	N/A
LN09X-XL	Module, High Resolution Option	1	N/A
LN0XX-AA	Cartridge, EP-ED (Toner)	1	18
LN0XX-EF	FEEDER ASSEMBLY, ENVELOPE	18	N/A
LN0XX-TA	TRAY, UNIVERSAL INPUT - 250 SHEET	1	11
LN0XX-TA	TRAY, UNIVERSAL INPUT - 250 SHEET	11	N/A
LN0XX-TB	LCIT ASSEMBLY	19	N/A
LN0XX-TC	TRAY, UNIVERSAL INPUT - 500 SHEET (Tray only)	19C	N/A
RA1-7584-000	Ring, Roller	17	1
RA1-7636-000	Screw, Stepped (M3)	19B	1
RA2-1563-000	Roller, Paper Feed	18B	1
RA2-1565-000	Joint	18B	2
RA2-1567-000	Roller	18B	3
RA2-1569-000	Lever, Sensor	18B	5
RA2-1570-000	Spring, Leaf	18B	6
RA2-1571-000	Spring, Torsion	18B	7
RA2-1572-000	Shaft, Paper Feed	18B	8
RA2-1575-000	Plate, Separation Guide	18A	10
RA2-1579-000	Arm, Registration	18B	29A
RA2-1582-000	Limiters, Torque	18B	29B

INDEX BY DEC/VENDOR PART NUMBER

DEClaser 5100

PART NO.	DESCRIPTION	FIG NO.	ITEM NO.
RA2-1586-000	Shaft, Separation Lower	18B	34
RA2-1589-000	Shaft, Paper Pick-Up 1	18B	30
RA2-1592-000	Shaft, Paper Pick-Up 2	18B	32
RA2-1620-000	Frame	18A	1
RA2-1621-000	Cover, Right	18A	3
RA2-1623-000	Cover, Lower	18A	2
RA2-1624-000	Nut, Plate	18A	11
RA2-1624-000	Plate, Limit 0	18A	9
RA2-1627-000	Arm, Weight	18A	7
RA2-1628-000	Tray, Extension	18A	5
RA2-1629-000	Plate, Pressure	18B	4
RB1-2080-000	Shutter, Laser	4	1
RB1-2100-030	Guide, Cartridge, Left	4	2
RB1-2101-020	Guide, Cartridge, Right	4	3
RB1-2105-030	Support, Cartridge	4	4
RB1-2106-000	Plate, Grounding	4	5
RB1-2109-030	Holder, Sensor	16	1
RB1-2111-000	Arm, Shutter	4	7
RB1-2112-000	Duct (1)	5	1
RB1-2113-000	Duct (2)	5	2
RB1-2114-000	Foot	4	8
RB1-2115-040	Arm, Sensor	16	4
RB1-2116-000	Base, Guide	13	1
RB1-2118-000	Base, Switch Mounting	8	1
RB1-2122-000	Spring, Torsion	1	10
RB1-2123-000	Spring, Torsion	1	11
RB1-2125-000	Holder, Latch	4	28
RB1-2128-000	Guide	12	17
RB1-2129-000	Guide, MP Tray, Upper	12	3
RB1-2131-000	Guide	12	4
RB1-2132-000	Arm, Sensor (1)	12	21A
RB1-2133-000	Arm, Sensor (2)	12	21B
RB1-2134-000	Holder, Sensor	12	21C
RB1-2135-000	Spring, Leaf	10	1
RB1-2137-000	Frame, Paper Feed Right	12	15
RB1-2138-000	Lever, Switch	12	5
RB1-2139-030	Spring, Leaf	12	16
RB1-2146-000	Spring, Slide	14	2
RB1-2149-000	Sheet, Separation	12	22B
RB1-2152-000	Roller, Arm	12	22C
RB1-2154-000	Frame, Paper Feed, Left	10	28
RB1-2158-000	Shaft, Pick-up (F)	10	2
RB1-2159-000	Shaft, Pick-up (M)	10	3
RB1-2164-000	Spring, Torsion	10	4
RB1-2165-000	Plate, Pressure, CRG, Left	10	5
RB1-2166-000	Claw, Clutch	10	33
RB1-2167-000	Spring, Torsion	10	34
RB1-2168-000	Arm, Sensor	12	6
RB1-2169-000	Spring, Torsion	12	7
RB1-2170-000	Guide, MP Tray	12	14A
RB1-2171-000	Cover, MP Tray Guide	12	14B
RB1-2173-000	Holder, Separation Pad	12	14C
RB1-2175-030	Pad, Sub	12	14D
RB1-2176-030	Arm, Sensor	12	14E

INDEX BY DEC PART NUMBER
DEClaser 5100

PART NO.	DESCRIPTION	FIG NO.	ITEM NO.
RB1-2177-000	Lever, Sensor	12	14F
RB1-2179-000	Latch, Cassette	10	29
RB1-2180-000	Spring, Torsion	10	30
RB1-2181-000	Holder, Guide Roller	12	18
RB1-2182-000	Roller, Guide	12	19
RB1-2186-000	Cover, Sensor	12	8
RB1-2187-000	Mount, Connector	12	9
RB1-2188-000	Roller, Oblique (A)	10	6
RB1-2190-000	Collar, Spring	10	7
RB1-2190-000	Collar, Spring	19B	2
RB1-2191-000	Collar, Oblique Roller	10	26
RB1-2192-000	Plate	12	22A
RB1-2193-000	Spring, Torsion	10	27
RB1-2194-000	Plate, Grounding	12	14J
RB1-2197-000	Pin, Sensor Holder	12	20
RB1-2200-000	Plate, Oblique Roller	10	41
RB1-2201-000	Holder, Shaft	10	32
RB1-2226-000	Cover, HVT	7	9
RB1-2234-000	Bushing, Right	7	4A
RB1-2235-000	Bushing, Left	7	4B
RB1-2236-000	Guide, Feeder	7	1
RB1-2237-020	Eliminator, Static Charge	13	2
RB1-2238-000	Eliminator, Static Charge	7	4C
RB1-2239-000	Pin, Contact	7	4D
RB1-2240-000	Spring, Leaf	7	4E
RB1-2241-000	Spring, Leaf	7	4F
RB1-2242-000	Spring, Leaf	7	4G
RB1-2243-000	Spring, Leaf	7	4H
RB1-2244-000	Guide, Upper	13	3
RB1-2251-000	Block, Connecting	7	5
RB1-2253-000	Roller, Feeder	7	2
RB1-2255-000	Cover, Transfer Bushing	7	4P
RB1-2259-000	Holder, Paper (2)	7	11
RB1-2262-000	Frame, Fixing, Upper	17	3
RB1-2263-000	Roller, Upper	17	4
RB1-2264-000	Roller, Lower	17	5
RB1-2265-000	Guide, Paper Entrance	17	66
RB1-2270-000	Cover	17	9
RB1-2272-000	Guide, Separation, Lower	17	11
RB1-2273-020	Lever, Sensor	17	12
RB1-2274-020	Lever, Release	17	13
RB1-2284-000	Clamp, Plate, Release	17	14
RB1-2285-020	Lever, Release, Right	17	15
RB1-2286-000	Spring, Guide	17	26
RB1-2289-000	Cover, Heater	17	33
RB1-2294-000	Spring, Grounding	15	17B
RB1-2295-000	Spring, Leaf	15	18
RB1-2299-000	Roller, Delivery	15	2
RB1-2302-000	Spring, Roller	15	3
RB1-2306-000	Arm	15	4
RB1-2307-000	Shaft	15	5
RB1-2309-000	Eliminator, Static Charge	15	17A
RB1-2314-000	Stop, Hinge	3	6
RB1-2318-000	Cover, Gear	9	1

INDEX BY DEC/VENDOR PART NUMBER

DECLaser 5100

PART NO.	DESCRIPTION	FIG NO.	ITEM NO.
RB1-2319-000	Shaft, Gear	9	2
RB1-2323-000	Arm, Hinge (1)	3	3
RB1-2324-000	Pin, Hinge	3	4
RB1-2329-000	Arm, Hinge (2)	3	5
RB1-2345-000	Cover, Cable	8	3
RB1-2347-000	Arm	19C	4
RB1-2350-000	Cover, Fan	5	3
RB1-2352-000	Rod, Switch	5	4
RB1-2353-000	Plate, Front Panel	1	13
RB1-2354-000	Hinge	2	5A
RB1-2369-000	Cam, Size	11	1
RB1-2370-000	Plate, Length Adjustment	11	2
RB1-2372-000	Arm, Sensor	11	3
RB1-2375-000	Dial	11	6
RB1-2375-000	Dial	19C	1
RB1-2377-000	Gear, 28T	11	7
RB1-2377-000	Gear, 28T	19C	2
RB1-2380-000	Lifter	11	10
RB1-2381-000	Arm	11	11
RB1-2384-000	Claw, Paper Separating	11	12
RB1-2386-000	Pin	11	13
RB1-2388-000	Sheet, Friction	11	22A
RB1-2389-000	Spring, Torsion	11	14
RB1-2417-000	Arm, Sensor	19C	8
RB1-2419-000	Sheet, Friction	19C	17A
RB1-2423-000	Cam, Size	19C	10
RB1-2424-000	Pin, Size	19C	11
RB1-2426-000	Spacer	19C	16
RB1-2431-000	Spring, Leaf	19C	13
RB1-2432-000	Plate, Front	19C	14
RB1-2603-000	Frame, Front	19A	2
RB1-2609-000	Cover, Inner	19A	12
RB1-2613-000	Rail, Guide	19B	5
RB1-2614-000	Plate,	19B	6
RB1-2615-000	Arm, Sensor	19A	11D
RB1-2616-000	Roller, Guide	19A	11A
RB1-2617-000	Spring, Leaf	19A	13
RB1-2622-000	Holder, Roller	19B	27A
RB1-2625-000	Spring, Leaf	19B	7
RB1-2626-000	Foot, Rubber	19A	10A
RB1-2627-000	Weight	19B	32
RB1-2628-000	Cover	19A	5
RB1-2629-000	Spring, Leaf	19A	11B
RB1-2630-000	Coupler, Guide	19A	11C
RB1-2635-000	Roller, Feeder	19B	9
RB1-2636-000	Cam, Pick-Up	19B	10
RB1-2637-000	Pendulum	19B	28
RB1-2639-000	Shaft, Feeder	19B	11
RB1-2641-000	Shim	19B	12
RB1-2642-000	Angle	19B	30A
RB1-2643-000	Damper, Rubber	19B	30B
RB1-2647-000	Plate, Grounding	19A	6
RB1-2648-000	Plate, Guide	19B	3A
RB1-2649-000	Plate, Guide	19B	4A

INDEX BY DEC PART NUMBER
DEClaser 5100

PART NO.	DESCRIPTION	FIG NO.	ITEM NO.
RB1-2739-000	Spring, Leaf	11	15
RB1-2740-000	Plate, Changing	11	16
RB1-2850-000	Plate, Paper Pressing	15	19
RB1-2939-000	Spring, Leaf, Click	3	1A
RB1-2950-000	Cover, Connector	6	1
RB1-2956-000	Block, Display	11	9
RB1-2957-000	Arm, Display	11	8
RB1-2957-000	Arm, Display	19C	3
RB1-2958-000	Cover, Left	11	4
RB1-2962-000	Switch, Main	8	2
RB1-2963-000	Cover, Inner	1	12
RB1-2964-000	Cover, LGL	11	24
RB1-2966-000	Spring, Switch	1	14
RB1-2967-000	Spring, Leaf	15	21
RB1-3284-000	Frame, Left	19A	7
RB1-3285-000	Frame, Right	19A	1
RB1-3286-000	Frame, Rear	19A	3
RB1-3287-000	Cover, Front	19A	4
RB1-3288-000	Block, Drive	19B	8
RB1-3289-000	Cover, Rear Cassette	19A	18
RB1-3295-000	Block, Display	19C	9
RB1-3298-000	Cover, Rear	19C	7
RB1-3299-000	Plate, Fixing	19C	15
RB1-3303-000	Coupler, Display	19C	23
RB1-3442-000	Spring, Leaf	15	22
RB1-3466-000	Plate, Paper Pressing	15	23
RB1-3574-000	Spring, Leaf	2	6A
RB1-3581-000	Base, I/O Plate	6	3
RB1-3723-000	Cover, Shield	6	5
RB1-3724-000	Plate, I/O	6	6
RB1-3725-000	Plate, Connector, I/O	6	7
RB1-3726-000	Cover, I/O	6	8
RB1-3727-000	Plate, Font Shield	6	9
RB1-3734-000	Cover, Front	2	6B
RB1-3738-000	Cover, Open/Close (or Cart. Access Door)	3	2
RB1-3741-000	Panel, Right	2	1
RB1-3742-000	Panel, Left	2	2
RB1-3751-000	Tray, B	2	4
RB1-3752-000	Latch, Rear	2	5B
RB1-3764-000	Guide, Cassette, Left	4	6
RB1-3765-000	Frame, Delivery	15	1
RB1-3766-000	Guide, Slide	14	1
RB1-2110-000	Lever, Sensor	16	2
RB2-2287-000	Washer, Grounding	17	2
RF1-3545-000	Roller, Separation Lower	18	35
RF1-3546-000	Roller, Paper Pick-Up 1	18B	31
RF1-3547-000	Roller, Paper Pick-Up 2	18B	33
RF1-3548-000	Roller, Upper	18B	29C
RF1-3549-000	Shaft, Separation Roller	18B	29D
RF1-3550-000	Shaft, Drive	18B	23
RF1-3555-000	Cover, Left	18A	8
RF1-3556-000	PLATE, SIDE GUIDE	18A	4
RF1-3560-000	Weight	18A	6
RF5-0335-000	Plate, Positioning	15	6

INDEX BY DEC/VENDOR PART NUMBER

DECLaser 5100

PART NO.	DESCRIPTION	FIG NO.	ITEM NO.
RF5-0338-080	Mount, Gear	10	31
RF5-0339-000	Plate, Spindle	10	35
RF5-0342-000	Holder, Roller	10	9
RF5-0346-000	Guide, Opening	12	10
RF5-0350-020	Coupler, Fixing	9	3
RF5-0353-000	Frame, Fixing	17	16
RF5-0369-000	Holder, Paper (1)	7	10
RF5-0371-000	Plate	19B	30C
RF5-0372-000	Shaft, Pick-Up	19B	13
RF5-0374-000	Click, Spring	19A	8
RF5-0375-000	Shaft	19A	9
RF5-0376-000	Gear, 70T	19B	30D
RF5-0377-000	GUIDE, FRONT	19B	3
RF5-0378-000	Guide, Rear	19B	4
RF5-0425-000	Holder, Roller	15	7
RF5-0427-020	Cover, Right	17	17
RF5-0428-000	Cover, Left	17	8
RF5-0430-000	Plate, Side	11	21
RF5-0431-020	PLATE, PAPER LIFTING	11	22
RF5-0432-000	Holder, Roller	11	23
RF5-0438-000	Roller, Delivery, Lower	15	15
RF5-0440-000	PLATE, SIDE LIMIT	19C	18
RF5-0441-000	Rack, 29T	19C	19
RF5-0443-000	Plate, Pressure Display	19C	24
RF5-0445-000	Plate, Front	19C	20
RF5-0446-000	Plate, End	19C	21
RF5-0470-000	Holder, Module	5	5
RF5-0488-000	Holder, Roller	15	20
RF5-0535-000	COVER, WIRE	17	10
RF5-0536-000	GUIDE, SEPARATION	17	7
RF5-0556-000	Guide, Cassette Right	1	15
RF5-0557-000	TRAY	14	3
RF5-0559-000	COVER, DELIVERY	2	5
RF5-0559-000	COVER, DELIVERY	2	5
RF5-0563-000	Body, Cassette	11	20
RF5-0565-000	COVER, RIGHT	11	5
RF5-0647-000	GUIDE, DELIVERY, UPPER	15	17
RF5-0652-000	Roller, Delivery, Upper	15	16
RF5-0662-020	COVER, FRONT	19C	5
RF5-0666-000	PLATE, PAPER LIFTING (L Type)	19C	17
RF5-0668-000	Gear, Knob 17T	19C	22
RF5-0669-000	Spring, Leaf	19C	18B
RF5-0716-000	Screw, Stepped w/Washer (M3)	17	36
RF5-0760-000	COVER, UPPER	3	1
RF5-0784-000	Roller, Oblique (A)	10	8
RF5-8168-000	Label	17	10A
RG1-0542-000	Cable, Paper Feeder {J851/J135}	19A	11F
RG1-3110-000	Drive Assembly, Left	18B	24
RG1-3112-000	SEPARATION ASSEMBLY	18B	29
RG5-0462-100	GUIDE ASSEMBLY, MP TRAY	12	14
RG5-0466-000	SENSOR HOLDER ASSEMBLY	12	21
RG5-0467-060	BASE ASSEMBLY, MP TRAY	12	22
RG5-0469-020	GUIDE ASSEMBLY, TRANSFER	1	6
RG5-0469-020	GUIDE ASSEMBLY, TRANSFER	13	N/A

INDEX BY DEC PART NUMBER

DEClaser 5100

PART NO.	DESCRIPTION	FIG NO.	ITEM NO.
RG5-0469-020	GUIDE ASSEMBLY, TRANSFER	4	29
RG5-0474-000	Thermo-switch Assembly	17	31
RG5-0482-000	FRAME, LOWER ASSEMBLY	19A	10
RG5-0483-000	COVER ASSEMBLY, MOUNT	19A	11
RG5-0484-000	HOLDER ASSEMBLY, ROLLER	19B	27
RG5-0486-000	PLATE ASSEMBLY	19B	30
RG5-0513-000	Module Assy, H.V. Power Supply	7	8
RG5-0514-000	Module Assembly, Sensor	1	8
RG5-0514-000	Module, Sensor	12	14K
RG5-0515-000	Module Assembly, Connector	7	7
RG5-0520-000	Cable, DC Cont./Scanner {J205/J151/J731}	4	20
RG5-0521-000	DC Cont./Connect Cable {J210/J741}	7	6
RG5-0522-000	Cable, DC Cont./Delivery Sensor {J208/J134}	16	6
RG5-0524-000	Cable, DC Cont./Motor Driver Cable {J201/J601}	8	4
RG5-0525-000	Cable Assembly, DC Cont./Low Volt.{TB201/J103}	1	13A
RG5-0526-000	Cable, DC Cont./Low-voltage 2 {J212/J104}	5	13
RG5-0528-000	Sensor, Cable {J605/J132/J133}	12	21F
RG5-0529-000	Motor, Driver/E. Feeder Cable {J604/J136}	12	13
RG5-0530-000	Cable, Motor Driver/C. Feed Cable {J135/J603}	8	5
RG5-0537-000	Cable, Fixing Unit {J743/J744}	17	32
RG5-0538-000	Cable Assembly, Main Motor {J211/J131}	5	11
RG5-0541-000	Module Assembly, Paper Feeder	19A	20
RG5-0556-000	Cable, DC Cont./Laser {J206/J721}	4	21
RG5-0576-000	Module Assembly, Envelope Feeder	18	3
RG5-0577-000	Cable Assembly, E. Feeder {J136/J931}	18B	18
RG5-0578-000	Cable Assembly	18A	13
RG5-0782-000	DRIVE ASSEMBLY - PAPER FEEDER	19B	N/A
RG5-0782-000	DRIVE ASSEMBLY, PAPER FEEDER	19	2
RG5-0957-000	Module, Video Interface	1	12
RG5-0958-000	Module, Display Panel	1	14
RG5-0959-000	Cable Assembly, Display {J204/J551}	8	6
RG5-1095-000	Cable, Control Panel	2	7
RG5-1579-000	Module Assembly, Envelope Feeder	18B	45
RH7-1136-000	Motor, Stepping (DC 3.6W)	12	25
RH7-1154-000	Motor, Stepping DC (3.1W)	18B	22
RH7-4046-000	Heater, Halogen {100-115V}	17	29
RH7-4048-000	Heater, Halogen {220-240V}	17	29
RH7-5071-000	Solenoid	10	25
RH7-5075-000	Solenoid	10	39
RH7-5080-000	Solenoid (DC 24V)	19B	25
RH7-7045-000	Thermistor	17	28
RH9-0737-000	Varistor	7	4M
RS1-0552-000	Gear, 20T	18B	25
RS1-0553-000	Gear, 42T/28T	18B	25
RS1-0554-000	Gear, 24T	18B	10
RS1-0555-000	Gear, 20T	18B	11
RS1-0556-000	Gear, 36T	18B	13
RS1-0557-000	Gear, 36T	18B	14
RS1-0558-000	Gear, 24T	18B	15
RS1-0559-000	Gear, 22T	18B	16
RS1-0560-000	Gear, 22T	18B	17
RS1-0561-000	Gear, 20T	18B	12
RS1-1053-000	Bushing	18B	18
RS1-2195-020	Spring, Torsion	19C	18A

INDEX BY DEC/VENDOR PART NUMBER

DEClaser 5100

PART NO.	DESCRIPTION	FIG NO.	ITEM NO.
RS1-2386-000	Spring, Compression	18B	9
RS2-8161-000	Label, Limit	14	3A
RS2-8163-000	Label, Instructions	11	22B
RS2-8168-000	Label	18A	4A
RS5-0228-000	Gear, 25T	15	8
RS5-0229-000	Gear, 23T	15	9
RS5-0230-000	Gear, 34T	17	18
RS5-0231-000	Gear, 19T	17	19
RS5-0232-000	Gear, 23T	17	20
RS5-0237-000	Gear, 17T/32T	9	4
RS5-0239-000	Gear, 48T	10	10
RS5-0240-000	Gear, 16T	10	36
RS5-0241-000	Gear, 32T	10	11
RS5-0242-000	Gear, 29T	10	12
RS5-0243-000	Gear, 39T	10	37
RS5-0244-000	Gear, 25T	10	38
RS5-0245-000	Gear, 35T	10	13
RS5-0246-000	Gear, 31T	10	14
RS5-0247-000	Gear, 19T	10	15
RS5-0248-000	Gear, 42T/16T	10	16
RS5-0249-000	Gear, 48T/16T	10	17
RS5-0250-000	Gear, 16T	10	18
RS5-0251-000	Gear, 12T	10	19
RS5-0252-000	Gear, 16T	10	20
RS5-0255-000	Gear, 45T/20T	19C	25
RS5-0256-000	Gear, 47T	19C	26
RS5-0257-000	Gear, 29T/41T	19C	27
RS5-0258-000	Gear, 26T	19C	28
RS5-0267-000	Gear, 45T	19B	14
RS5-0268-000	Gear, 25T	19B	29
RS5-0269-000	Gear, 22T/48T	19B	15
RS5-0271-000	Gear, 25T	19B	30F
RS5-0272-000	Gear, 26T/26T	19B	16
RS5-0273-000	Gear, 39T	19B	17
RS5-0274-000	Gear, 33T	19B	18
RS5-0275-000	Gear, 31T	19B	30G
RS5-1059-000	Bushing	15	10
RS5-1060-000	Bushing	15	11
RS5-1063-000	Bushing, Roller, Right	17	21
RS5-1064-000	Bushing, Roller, Left	17	22
RS5-1065-000	Bushing, Lower Roller	17	23
RS5-1066-000	Bushing, Pick-up	10	21
RS5-1067-000	Bushing, Oblique Roller	10	22
RS5-1074-000	Bushing, S	19B	30H
RS5-1075-000	Bushing, M	19B	19
RS5-1076-000	Bushing, L	19B	20
RS5-2168-000	Spring, Compression	17	24
RS5-2169-000	Spring, Tension	16	3
RS5-2170-000	Spring, Tension	1	18
RS5-2171-000	Spring, Tension	12	21D
RS5-2172-000	Spring, Tension	10	23
RS5-2175-000	Spring, Compression	12	11
RS5-2176-000	Spring, Compression	12	14H
RS5-2180-000	Spring, Tension	17	25

INDEX BY DEC PART NUMBER

DEClaser 5100

PART NO.	DESCRIPTION	FIG NO.	ITEM NO.
RS5-2181-000	Spring, Compression	7	4J
RS5-2182-000	Spring, Compression	7	4J
RS5-2183-000	Spring, Compression	7	4L
RS5-2184-000	Spring, Tension	15	12
RS5-2185-000	Spring, Compression	15	13
RS5-2186-000	Spring, Compression	11	17
RS5-2187-000	Spring, Compression	11	18
RS5-2188-000	Spring, Compression	11	19
RS5-2192-000	Spring, Tension	19C	29
RS5-2193-000	Spring, Compression	19C	30
RS5-2193-000	Spring, Compression	19C	30
RS5-2194-000	Label, Operation	19C	31
RS5-2201-000	Spring, Tension	19B	21
RS5-2202-000	Spring, Compression	19B	22
RS5-2203-000	Spring, Tension	19A	11E
RS5-2216-000	Spring, Tension	10	40
RS5-2217-000	Spring, Tension	8	7
RS5-2218-000	Spring, Compression	4	9
RS5-2219-000	Spring, Tension	2	5C
RS5-2220-000	Spring, Tension	12	12
RS5-6113-000	Roller	19B	27B
RS5-6114-000	Washer, Wave	19B	23
RS5-6115-000	Spacer	19B	24
RS5-6115-000	Spacer	19B	30J
RS5-6116-000	Washer	19B	35
RS5-6117-000	Washer, Wave	19B	36
RS5-6131-000	Spacer, No. 2	19B	37
RS5-8168-000	Label	17	7A
RS5-8199-000	Label, Operation (L Type)	19C	17B
RS5-8221-000	Label, Paper Size	19C	6
RS5-8232-000	Label, Paper Size	11	5A
RS5-8239-000	Label	19B	38
RS5-9055-000	Screw, Stepped M3	17	30
SSR-JM340	Case, Shield	6	4
SSR-JM341	Plate, Operation Base	6	2
WE8-5171-000	Ferrite Core	18B	36
WG5-0291-090	Photo-IC, TLP 1230	12	21E
WG8-0291-000	Photo-IC, TLP 1230	16	5
WT2-0030-000	Tie, Cable	19A	11G
WT2-0030-000	Tie, Cable	19A	17
WT2-0030-000	Tie,Cable	7	12
WT2-0136-000	Clip, Cable	6	11
WT2-0434-000	Clamp	18B	27
WT2-5134-000	Clamp, Cable	6	12
XA9-0253-000	Screw, Machine Pan Hd w/Washer M3 x 8	2	8
XA9-0253-000	Screw, Machine Pan Hd w/Washer M3 x 8	3	8
XA9-0253-000	Screw, Machine Pan Hd w/Washer M3 x 8	4	22
XA9-0253-000	Screw, Machine Pan Hd w/Washer M3 x 8	5	7
XA9-0253-000	Screw, Machine Pan Hd w/Washer M3 x 8	7	15
XA9-0258-000	Screw, Binding	6	13
XA9-0267-000	Screw, TP M3 x 6	13	4
XA9-0267-000	Screw, TP M3 x 6	17	27
XA9-0267-000	Screw, TP M3 x 6	19B	31

INDEX BY DEC/VENDOR PART NUMBER

DECLaser 5100

PART NO.	DESCRIPTION	FIG NO.	ITEM NO.
XA9-0267-000	Screw, TP M3 x 6	5	16
XA9-0267-000	Screw, TP, M3 x 6	4	23
XA9-0267-000	Screw, TP, M3 x 6	6	14
XA9-0326-000	Screw, TP M3 x 4	19A	15
XA9-0574-000	Screw, Hex Hd, w/Washer	7	14
XA9-0584-000	Screw, w/Spring Washer M3 x 12	5	15
XA9-0585-000	Screw, w/Spring Washer	5	10
XA9-0591-000	Screw M3 x 8	19B	34
XA9-0591-000	Screw, M3 x 8	19B	26
XA9-0591-000	Screw, M3 x 8	10	24
XA9-0591-000	Screw, M3 x 8	12	23
XA9-0591-000	Screw, M3 x 8	19A	11H
XA9-0591-000	Screw, M3 x 8	19A	14
XA9-0591-000	Screw, M3 x 8	19C	32
XA9-0591-000	Screw, M3 x 8	4	25
XA9-0592-000	Screw, M4 x 6	4	26
XA9-0596-000	Screw, M3 x 6	2	6D
XA9-0615-000	Screw, M4 x 8	19A	16
XA9-0623-000	Screw, Hex Head	7	3
XA9-0639-000	Screw, w/Spring Washer M3 x 14	4	24
XA9-0640-000	Screw, w/Washer M3 x 12	10	42
XA9-0663-000	Screw, w/Washer M3 x 6	3	9
XA9-0667-000	Screw, w/Washer M3 x 21.5	12	26
XB1-2300-507	Screw, Machine Truss Hd M3 x 5	19B	30K
XB1-2300-607	Machine Truss Hd M3 x 6	18B	37
XB1-2300-607	Screw, Machine Truss Hd M3 x 6	12	27
XB1-2301-009	Screw, Machine Truss Hd M3 x 10	19B	39
XB1-2400-607	Screw, Machine Truss Hd M4 x 6	18B	38
XB2-8300-607	Screw, w/Washer M3 x 6	17	34
XB4-7401-007	Screw, Tapping Pan Hd M4 x 10	18B	39
XB4-7401-207	Screw, Pan Hd Tapping M4 x 12	18A	14
XB5-6300-807	Screw, TP M3 x 8	18B	40
XB5-6300-807	Screw, TP M3 x 6	18A	12
XB6-7300-409	Screw, TP M3 x 4	17	35
XB6-7301-000	Screw, TP, M3 x 10	19A	19
XD1-1106-232	Washer, Shim	19B	40
XD2-1100-322	Ring, E-	18B	41
XD2-1100-402	Ring, E-	15	24
XD2-1100-402	Ring, E-	19B	41
XD2-1100-502	Ring, E-	10	43
XD2-1100-502	Ring, E-	15	25
XD2-1100-502	Ring, E-	18B	42
XD2-1100-502	Ring, E-	19B	30L
XD2-1100-502	Ring, E-	19B	42
XD2-2100-502	Ring, Grip	9	5
XD2-2300-402	Ring, SE-	10	44
XD3-1200-102	Pin, Spring	18B	29E
XD3-2200-082	Pin, Dowel	18B	43
XD3-2200-102	Pin, Dowel	18B	44
XD3-2200-102	Pin, Dowel	19B	27C
XD3-2200-122	Pin, Dowel	19B	43
XD3-2300-322	Pin, Dowel	11	25

INDEX BY DEC PART NUMBER
DEClaser 5100

PART NO.	DESCRIPTION	FIG NO.	ITEM NO.
XF9-0410-000	Belt, Cogged	15	14
XZ1-1301-805	Spacer	19C	33
XZ9-0340-000	Latch	4	27

INDEX BY DEC/VENDOR PART DESCRIPTION

DEC Laser 5100

DESCRIPTION	DEC PART NO.	FIG. NO.	ITEM NO.
Angle	RB1-2642-000	19B	30A
Arm	RB1-2306-000	15	4
Arm	RB1-2347-000	19C	4
Arm	RB1-2381-000	11	11
Arm, Display	RB1-2957-000	11	8
Arm, Display	RB1-2957-000	19C	3
Arm, Hinge (1)	RB1-2323-000	3	3
Arm, Hinge (2)	RB1-2329-000	3	5
Arm, Registration	RA2-1579-000	18B	29A
Arm, Sensor	RB1-2115-040	16	4
Arm, Sensor	RB1-2168-000	12	6
Arm, Sensor	RB1-2176-030	12	14E
Arm, Sensor	RB1-2372-000	11	3
Arm, Sensor	RB1-2417-000	19C	8
Arm, Sensor	RB1-2615-000	19A	11D
Arm, Sensor (1)	RB1-2132-000	12	21A
Arm, Sensor (2)	RB1-2133-000	12	21B
Arm, Shutter	RB1-2111-000	4	7
Arm, Weight	RA2-1627-000	18A	7
BASE ASSEMBLY, MP TRAY	RG5-0467-060	12	22
Base, Guide	RB1-2116-000	13	1
Base, I/O Plate	RB1-3581-000	6	3
Base, Switch Mounting	RB1-2118-000	8	1
Belt, Cogged	XF9-0410-000	15	14
Block, Connecting	RB1-2251-000	7	5
Block, Display	RB1-2956-000	11	9
Block, Display	RB1-3295-000	19C	9
Block, Drive	RB1-3288-000	19B	8
Body, Cassette	RF5-0563-000	11	20
Brush, Cleaning (RB1-2260-000)	29-31475-01	3	7
Bushing	FS1-1187-000	18B	21
Bushing	FS1-1433-000	18B	20
Bushing	RS1-1053-000	18B	18
Bushing	RS5-1059-000	15	10
Bushing	RS5-1060-000	15	11
Bushing, L	RS5-1076-000	19B	20
Bushing, Left	RB1-2235-000	7	4B
Bushing, Lower Roller	RS5-1065-000	17	23
Bushing, M	RS5-1075-000	19B	19
Bushing, Oblique Roller	RS5-1067-000	10	22
Bushing, Pick-up	RS5-1066-000	10	21
Bushing, Right	RB1-2234-000	7	4A
Bushing, Roller, Left	RS5-1064-000	17	22
Bushing, Roller, Right	RS5-1063-000	17	21
Bushing, S	RS5-1074-000	19B	30H
Cable Assembly	RG5-0578-000	18A	13
Cable Assembly, DC Cont./Low Voltage {TB201/J103}	RG5-0525-000	1	13A
Cable Assembly, Display {J204/J551}	RG5-0959-000	8	6
Cable Assembly, E. Feeder {J136/J931}	RG5-0577-000	18B	18
Cable Assembly, Main Motor {J211/J131}	RG5-0538-000	5	11
Cable, Control Panel	RG5-1095-000	2	7
Cable, DC Cont./Delivery Sensor {J208/J134}	RG5-0522-000	16	6
Cable, DC Cont./Laser {J206/J721}	RG5-0556-000	4	21
Cable, DC Cont./Low-Voltage 2 {J212/J104}	RG5-0526-000	5	13

INDEX BY DEC/VENDOR PART DESCRIPTION

DEClaser 5100

DESCRIPTION	DEC PART NO.	FIG. NO.	ITEM NO.
Cable, DC Cont./Motor Driver Cable {J201/J601}	RG5-0524-000	8	4
Cable, DC Cont./Scanner {J205/J151/J731}	RG5-0520-000	4	20
Cable, Fixing Unit {J743/J744}	RG5-0537-000	17	32
Cable, Motor Driver/C. Feeder Cable {J135/J603}	RG5-0530-000	8	5
Cable, Paper Feeder {J851/J135}	RG1-0542-000	19A	11F
Cam, Pick-Up	RB1-2636-000	19B	10
Cam, Size	RB1-2369-000	11	1
Cam, Size	RB1-2423-000	19C	10
Cartridge, EP-ED (Toner)	LN0XX-AA	1	18
Case, Shield	SSR-JM340	6	4
Clamp	WT2-0434-000	18B	27
Clamp, Cable	WT2-5134-000	6	12
Clamp, Plate, Release	RB1-2284-000	17	14
Claw, Clutch	RB1-2166-000	10	33
Claw, Paper Separating	RB1-2384-000	11	12
Click, Spring	RF5-0374-000	19A	8
Clip, Cable	WT2-0136-000	6	11
Collar, Oblique Roller	RB1-2191-000	10	26
Collar, Spring	RB1-2190-000	10	7
Collar, Spring	RB1-2190-000	19B	2
COMPONENTS, EXTERNAL (ENVELOPE FEEDER)	N/A	18	1
COMPONENTS, INTERNAL (ENVELOPE FEEDER)	N/A	18	2
CONTROL PANEL ASSEMBLY	29-31474-01	2	6
Cord, Power	N/A	5	6
Country Kit, Swiss	LN09X-MB	1	N/A
Country Kit, Belgium, Holland, France	LN09X-MD	1	N/A
Country Kit, Italian	LN09X-KI	1	N/A
Country Kit, Spanish	LN09X-KS	1	N/A
Coupler, Display	RB1-3303-000	19C	23
Coupler, Fixing	RF5-0350-020	9	3
Coupler, Guide	RB1-2630-000	19A	11C
Cover	RB1-2270-000	17	9
Cover	RB1-2628-000	19A	5
COVER ASSEMBLY, MOUNT	RG5-0483-000	19A	11
COVER ASSEMBLY, UPPER	N/A	3	N/A
Cover, Cable	RB1-2345-000	8	3
Cover, Connector	RB1-2950-000	6	1
COVER, DELIVERY	RF5-0559-000	2	5
COVER, EXTERNAL / PANEL, ETC.	N/A	2	N/A
Cover, Fan	RB1-2350-000	5	3
COVER, FRONT	RF5-0662-020	19C	5
Cover, Front	RB1-3287-000	19A	4
Cover, Front	RB1-3734-000	2	6B
Cover, Gear	RB1-2318-000	9	1
Cover, HVT	RB1-2226-000	7	9
Cover, Heater	RB1-2289-000	17	33
Cover, I/O	RB1-3726-000	6	8
Cover, Inner	RB1-2609-000	19A	12
Cover, Inner	RB1-2963-000	1	12
Cover, LGL	RB1-2964-000	11	24
Cover, Left	RB1-2958-000	11	4
Cover, Left	RF1-3555-000	18A	8
Cover, Left	RF5-0428-000	17	8
Cover, Lower	RA2-1623-000	18A	2

INDEX BY DEC/VENDOR PART DESCRIPTION

DEClaser 5100

DESCRIPTION	DEC PART NO.	FIG. NO.	ITEM NO.
Cover, MP Tray Guide	RB1-2171-000	12	14B
Cover, Open/Close (or Cart. Access Door)	RB1-3738-000	3	2
Cover, Rear	RB1-3298-000	19C	7
Cover, Rear Cassette	RB1-3289-000	19A	18
Cover, Right	RA2-1621-000	18A	3
Cover, Right	RF5-0427-020	17	17
COVER, RIGHT	RF5-0565-000	11	5
Cover, Sensor	RB1-2186-000	12	8
Cover, Shield	RB1-3723-000	6	5
Cover, Transfer Bushing	RB1-2255-000	7	4P
COVER, UPPER	RF5-0760-000	3	1
COVER, WIRE	RF5-0535-000	17	10
DC Cont./Connect Cable {J210/J741}	RG5-0521-000	7	6
DEClaser 5100 (Australia/New Zealand)	LN09-AZ	1	N/A
DEClaser 5100 (Belgium, Holland, France)	LN09-CD	1	N/A
DEClaser 5100 (Denmark Kit)	LN09-AD	1	N/A
DEClaser 5100 (German/Austria Kit)	LN09-AG	1	N/A
DEClaser 5100 (Israel Kit)	LN09-AT	1	N/A
DEClaser 5100 (Italian Kit)	LN09-AI	1	N/A
DEClaser 5100 (Spanish Kit)	LN09-AS	1	N/A
DEClaser 5100 (Sweden, Norway, Finland, Portugal)	LN09-CC	1	N/A
DEClaser 5100 (Swiss Kit)	LN09-CB	1	N/A
DEClaser 5100 (UK/Ireland Kit)	LN09-AE	1	N/A
DEClaser 5100 (US/Canada Kit)	LN09-CA	1	N/A
DEClaser 5100 PRINTER	N/A	1	N/A
DELIVERY ASSEMBLY, PAPER (RG5-0456-000)	TBD	15	N/A
DELIVERY ASSEMBLY, PAPER (RG5-0456-000)	TBD	1	9
DRIVE ASSEMBLY - PAPER FEEDER	RG5-0782-000	19B	N/A
DRIVE ASSEMBLY, PAPER FEEDER	RG5-0782-000	19	2
DRIVE ASSEMBLY, PICK-UP	N/A	1	5
DRIVE ASSEMBLY, PICK-UP	N/A	10	N/A
DRIVE ASSEMBLY, PICK-UP	N/A	12	28
Damper, Rubber	RB1-2643-000	19B	30B
Dial	RB1-2375-000	11	6
Dial	RB1-2375-000	19C	1
Documentation, DEClaser 5100 Disk Option Guide	EK-D5100-IN	1	N/A
Documentation, DEClaser 5100 Memory Option Guide	EK-DL51M-IN	1	N/A
Documentation, DEClaser 5100 Printer Resolution	EK-D5100-DI	1	N/A
Door, Multipurpose (RB1-3744-000)	TBD	2	3
Drive Assembly, Left	RG1-3110-000	18B	24
Drive, LN09X Internal Hard Disk Option	LN09X-HD	1	N/A
Duct (1)	RB1-2112-000	5	1
Duct (2)	RB1-2113-000	5	2
EEPROM, I.C. - Page Count Memory	21-40579-01	1	12A
Eliminator, Static Charge	RB1-2237-020	13	2
Eliminator, Static Charge	RB1-2238-000	7	4C
Eliminator, Static Charge	RB1-2309-000	15	17A
EXTERNAL COVERS, PANELS, ETC - ENVELOPE FEEDER	N/A	18A	N/A
Fan, Exhaust (RH7-1143-000)	FD-41593-01	5	8
FEED ASSEMBLY, PAPER (RG5-0451-160)	FD-41623-01	12	N/A
FEED ASSEMBLY, PAPER (RG5-0451-160)	FD-41623-01	1	3
FEEDER ASSEMBLY, ENVELOPE	LN0XX-EF	18	N/A
FEEDER UNIT ASSEMBLY, PAPER ASSEMBLY LOCATIONS	LN0XX-TB	19	N/A

INDEX BY DEC/VENDOR PART DESCRIPTION

DEClaser 5100

DESCRIPTION	DEC PART NO.	FIG. NO.	ITEM NO.
Ferrite Core	WE8-5171-000	18B	36
Foot	RB1-2114-000	4	8
Foot, Rubber	RB1-2626-000	19A	10A
Frame	RA2-1620-000	18A	1
Frame, Delivery	RB1-3765-000	15	1
Frame, Fixing	RF5-0353-000	17	16
Frame, Fixing, Upper	RB1-2262-000	17	3
Frame, Front	RB1-2603-000	19A	2
Frame, Left	RB1-3284-000	19A	7
FRAME, LOWER ASSEMBLY	RG5-0482-000	19A	10
Frame, Paper Feed Right	RB1-2137-000	12	15
Frame, Paper Feed, Left	RB1-2154-000	10	28
Frame, Rear	RB1-3286-000	19A	3
Frame, Right	RB1-3285-000	19A	1
FUSING ASSEMBLY {220-240V} (RG5-0455-000)	FD-41595-01	7	16
FUSING ASSEMBLY {100-115V} (RG5-0454-060)	FD-41594-01	7	16
FUSING ASSEMBLY {100-115V} (RG5-0454-060)	FD-41594-01	1	1
FUSING ASSEMBLY {100-115V} (RG5-0454-060)	FD-41594-01	17	N/A
FUSING ASSEMBLY {220-240V} (RG5-0455-060)	FD-41595-01	1	1
FUSING ASSEMBLY {220-240V} (RG5-0455-060)	FD-41595-01	17	N/A
Gear, 35T	RS5-0245-000	10	13
Gear, 12T	RS5-0251-000	10	19
Gear, 16T	RS5-0240-000	10	36
Gear, 16T	RS5-0250-000	10	18
Gear, 16T	RS5-0252-000	10	20
Gear, 17T/32T	RS5-0237-000	9	4
Gear, 19T	RS5-0231-000	17	19
Gear, 19T	RS5-0247-000	10	15
Gear, 20T	RS1-0552-000	18B	25
Gear, 20T	RS1-0555-000	18B	11
Gear, 20T	RS1-0561-000	18B	12
Gear, 22T	RS1-0559-000	18B	16
Gear, 22T	RS1-0560-000	18B	17
Gear, 22T/48T	RS5-0269-000	19B	15
Gear, 23T	RS5-0232-000	17	20
Gear, 24T	RS1-0554-000	18B	10
Gear, 24T	RS1-0558-000	18B	15
Gear, 25T	RS5-0228-000	15	8
Gear, 25T	RS5-0244-000	10	38
Gear, 25T	RS5-0268-000	19B	29
Gear, 25T	RS5-0271-000	19B	30F
Gear, 26T	RS5-0258-000	19C	28
Gear, 26T/26T	RS5-0272-000	19B	16
Gear, 28T	RB1-2377-000	11	7
Gear, 28T	RB1-2377-000	19C	2
Gear, 29T	RS5-0242-000	10	12
Gear, 29T/41T	RS5-0257-000	19C	27
Gear, 31T	RS5-0246-000	10	14
Gear, 31T	RS5-0275-000	19B	30G
Gear, 32T	RS5-0241-000	10	11
Gear, 33T	RS5-0274-000	19B	18
Gear, 34T	RS5-0230-000	17	18
Gear, 36T	RS1-0556-000	18B	13
Gear, 36T	RS1-0557-000	18B	14

INDEX BY DEC/VENDOR PART DESCRIPTION

DECClasser 5100

DESCRIPTION	DEC PART NO.	FIG. NO.	ITEM NO.
Gear, 39T	RS5-0243-000	10	37
Gear, 39T	RS5-0273-000	19B	17
Gear, 42T/16T	RS5-0248-000	10	16
Gear, 42T/28T	RS1-0553-000	18B	25
Gear, 45T	RS5-0267-000	19B	14
Gear, 45T/20T	RS5-0255-000	19C	25
Gear, 47T	RS5-0256-000	19C	26
Gear, 48T	RS5-0239-000	10	10
Gear, 48T/16T	RS5-0249-000	10	17
Gear, 70T	RF5-0376-000	19B	30D
GEAR ASSEMBLY, MAIN DRIVE (RG5-0457-000)	FD-42845-01	5	18
GEAR ASSEMBLY, MAIN DRIVE (RG5-0457-000)	FD-42845-01	1	2
GEAR ASSEMBLY, MAIN DRIVE (RG5-0457-000)	FD-42845-01	9	N/A
Gear, Knob 17T	RF5-0668-000	19C	22
Gear, 23T	RS5-0229-000	15	9
Guide	RB1-2128-000	12	17
Guide	RB1-2131-000	12	4
GUIDE ASSEMBLY, MP TRAY	RG5-0462-100	12	14
GUIDE ASSEMBLY, TRANSFER	RG5-0469-020	1	6
GUIDE ASSEMBLY, TRANSFER	RG5-0469-020	13	N/A
GUIDE ASSEMBLY, TRANSFER	RG5-0469-020	4	29
Guide, Cartridge, Left	RB1-2100-030	4	2
Guide, Cartridge, Right	RB1-2101-020	4	3
Guide, Cassette Right	RF5-0556-000	1	15
Guide, Cassette, Left	RB1-3764-000	4	6
GUIDE, DELIVERY, UPPER	RF5-0647-000	15	17
Guide, Feeder	RB1-2236-000	7	1
GUIDE, FRONT	RF5-0377-000	19B	3
Guide, MP Tray	RB1-2170-000	12	14A
Guide, MP Tray, Upper	RB1-2129-000	12	3
Guide, Opening	RF5-0346-000	12	10
Guide, Paper Entrance	RB1-2265-000	17	6
Guide, Rear	RF5-0378-000	19B	4
GUIDE, SEPARATION	RF5-0536-000	17	7
Guide, Separation, Lower	RB1-2272-000	17	11
Guide, Slide	RB1-3766-000	14	1
Guide, Upper	RB1-2244-000	13	3
Handle Assembly, Hard Disk	70-29116-01	1	N/A
Heater, Halogen {220-240V}	RH7-4048-000	17	29
Heater, Halogen {100-115V}	RH7-4046-000	17	29
Hinge	RB1-2354-000	2	5A
Holder, Guide Roller	RB1-2181-000	12	18
Holder, Latch	RB1-2125-000	4	28
Holder, Module	RF5-0470-000	5	5
Holder, Paper (1)	RF5-0369-000	7	10
Holder, Paper (2)	RB1-2259-000	7	11
Holder, Roller	RB1-2622-000	19B	27A
Holder, Roller	RF5-0342-000	10	9
Holder, Roller	RF5-0425-000	15	7
Holder, Roller	RF5-0432-000	11	23
Holder, Roller	RF5-0488-000	15	20
Holder, Sensor	RB1-2109-030	16	1
Holder, Sensor	RB1-2134-000	12	21C
Holder, Separation Pad	RB1-2173-000	12	14C

INDEX BY DEC/VENDOR PART DESCRIPTION

DECclaser 5100

DESCRIPTION	DEC PART NO.	FIG. NO.	ITEM NO.
Holder, Shaft	RB1-2201-000	10	32
HOLDER ASSEMBLY, ROLLER	RG5-0484-000	19B	27
INTERNAL COMPONENTS (1)	N/A	4	N/A
INTERNAL COMPONENTS (2)	N/A	5	N/A
INTERNAL COMPONENTS (3)	N/A	6	N/A
INTERNAL COMPONENTS (4)	N/A	7	N/A
INTERNAL COMPONENTS - ENVELOPE FEEDER ASSY	N/A	18B	N/A
Joint	RA2-1565-000	18B	2
Label	FS3-8377-000	7	4N
Label	RF5-8168-000	17	10A
Label	RS2-8168-000	18A	4A
Label	RS5-8168-000	17	7A
Label	RS5-8239-000	19B	38
Label, Instructions	RS2-8163-000	11	22B
Label, Limit	RS2-8161-000	14	3A
Label, Operation	RS5-2194-000	19C	31
Label, Operation (L Type)	RS5-8199-000	19C	17B
Label, Paper Size	RS5-8221-000	19C	6
Label, Paper Size	RS5-8232-000	11	5A
LASER SCANNER ASSEMBLY (RG5-0449-020)	FE-HPA515-QR	4	19
Latch	XZ9-0340-000	4	27
Latch, Cassette	RB1-2179-000	10	29
Latch, Rear	RB1-3752-000	2	5B
Lever, Release	RB1-2274-020	17	13
Lever, Release, Right	RB1-2285-020	17	15
Lever, Sensor	RA2-1569-000	18B	5
Lever, Sensor	RB1-2110-000	16	2
Lever, Sensor	RB1-2177-000	12	14F
Lever, Sensor	RB1-2273-020	17	12
Lever, Switch	RB1-2138-000	12	5
LCIT ASSEMBLY	LN0XX-TB	19	N/A
Lifter	RB1-2380-000	11	10
Limitter, Torque	RA2-1582-000	18B	29B
MAIN BODY, PAPER FEEDER	N/A	19	1
MAIN BODY, PAPER FEEDER	FD-41623-01	19A	N/A
Module Assembly, Connector	RG5-0515-000	7	7
Module Assembly, Envelope Feeder	RG5-0576-000	18	3
Module Assembly, Envelope Feeder	RG5-1579-000	18B	45
Module Assembly, H.V. Power Supply	RG5-0513-000	7	8
Module Assembly, Paper Control (RG5-0512-000)	FD-41611-01	12	24
Module Assembly, Paper Control (RG5-0512-000)	FD-41611-01	1	7
Module Assembly, Paper Feeder (LCIT)	RG5-0541-000	19A	20
Module Assembly, Paper Feeder (LCIT) (RG5-0541-000)	FD-41598-01	19	4
Module Assembly, Sensor	RG5-0514-000	1	8
Module, 16 MB Memory SIMM Option	LN09X-ME	1	N/A
Module, 32 MB Memory SIMM Option	LN09X-MF	1	N/A
Module, 4 MB Memory SIMM Option	LN09X-MA	1	N/A
Module, DC Controller (RG5-0511-000)	FD-41600-01	5	19
MODULE, DC CONTROLLER (RG5-0511-000)	FD-41600-01	1	13
Module, Display Panel	RG5-0958-000	1	14
Module, High Resolution Option	LN09X-XL	1	N/A
Module, LN09 High Resolution Option	54-23283-01	1	N/A

INDEX BY DEC/VENDOR PART DESCRIPTION

DECClasser 5100

DESCRIPTION	DEC PART NO.	FIG. NO.	ITEM NO.
Module, LN09 High Resolution Option	54-23283-01	1	N/A
Module, Multi-Protocol Ethernet Network Card	LN09X-NW	1	N/A
Module, Non-Roman Font Card Option	LN09X-NR	1	N/A
Module, Sensor	RG5-0514-000	12	14K
Module, Video Controller	29-31710-01	1	12
Motor, Main DC (5.8W) (RH7-1151-000)	FD-41597-01	5	9
Motor, Driver/E. Feeder Cable {J604/J136}	RG5-0529-000	12	13
Motor, Stepping (LCIT) (DC 3.3W)	29-31507-01	19B	30E
Motor, Stepping (DC 3.6W)	RH7-1136-000	12	25
Motor, Stepping DC (3.1W)	RH7-1154-000	18B	22
Mount, Connector	RB1-2187-000	12	9
Mount, Gear	RF5-0338-080	10	31
Nut, Plate	RA2-1624-000	18A	11
Pad, Separation (RF5-0343-000)	FD-41622-01	12	14G
Pad, Sub	RB1-2175-030	12	14D
Panel, Control	N/A	2	6C
Panel, Left	RB1-3742-000	2	2
Panel, Right	RB1-3741-000	2	1
Pendulum	RB1-2637-000	19B	28
Photo-IC, TLP 1230	WG8-0291-000	16	5
Photo-IC, TLP1230	WG5-0291-000	12	21E
PICK-UP ASSEMBLY, PAPER (RG5-0451-000)	FD-41623-01	7	17
Pin	RB1-2386-000	11	13
Pin, Contact	RB1-2239-000	7	4D
Pin, Dowel	XD3-2200-082	18B	43
Pin, Dowel	XD3-2200-102	18B	44
Pin, Dowel	XD3-2200-102	19B	27C
Pin, Dowel	XD3-2200-122	19B	43
Pin, Dowel	XD3-2300-322	11	25
Pin, Hinge	RB1-2324-000	3	4
Pin, Sensor Holder	RB1-2197-000	12	20
Pin, Size	RB1-2424-000	19C	11
Pin, Spring	XD3-1200-102	18B	29E
PLATE ASSEMBLY	RG5-0486-000	19B	30
Plate	RB1-2192-000	12	22A
Plate	RF5-0371-000	19B	30C
Plate	RB1-2614-000	19B	6
Plate, Changing	RB1-2740-000	11	16
Plate, Connector, I/O	RB1-3725-000	6	7
Plate, End	RF5-0446-000	19C	21
Plate, Fixing	RB1-3299-000	19C	15
Plate, Font Shield	RB1-3727-000	6	9
Plate, Front	RB1-2432-000	19C	14
Plate, Front	RF5-0445-000	19C	20
Plate, Front Panel	RB1-2353-000	1	13
Plate, Grounding	RB1-2106-000	4	5
Plate, Grounding	RB1-2194-000	12	14J
Plate, Grounding	RB1-2647-000	19A	6
Plate, Guide	RB1-2648-000	19B	3A
Plate, Guide	RB1-2649-000	19B	4A
Plate, I/O	RB1-3724-000	6	6
Plate, Length Adjustment	RB1-2370-000	11	2
Plate, Limit	RA2-1624-000	18A	9
Plate, Oblique Roller	RB1-2200-000	10	41

INDEX BY DEC/VENDOR PART DESCRIPTION

DECleraser 5100

DESCRIPTION	DEC PART NO.	FIG. NO.	ITEM NO.
Plate, Operation Base	SSR-JM341	6	2
PLATE, PAPER LIFTING	RF5-0431-020	11	22
PLATE, PAPER LIFTING (L Type)	RF5-0666-000	19C	17
Plate, Paper Pressing	RB1-2850-000	15	19
Plate, Paper Pressing	RB1-3466-000	15	23
Plate, Positioning	RF5-0335-000	15	6
Plate, Pressure	RA2-1629-000	18B	4
Plate, Pressure Display	RF5-0443-000	19C	24
Plate, Pressure, CRG, Left	RF5-0365-000	1	16
Plate, Pressure, CRG, Right	RF5-0366-000	1	17
Plate, Rear	RB1-2430-000	19C	12
Plate, Right Drive	RF1-3543-000	18B	28
Plate, Roller Release	RB1-2165-000	10	5
Plate, Separation Guide	RA2-1575-000	18A	10
PLATE, SIDE GUIDE	RF1-3556-000	18A	4
PLATE, SIDE LIMIT	RF5-0440-000	19C	18
Plate, Side	RF5-0430-000	11	21
Plate, Spindle	RF5-0339-000	10	35
Power Cord, (BN18L-2E) (240V)	17-00457-16	1	17
Power Cord, (BN19A-2A) (240V)	17-00209-15	1	17
Power Cord, (BN19C-2E) (220V)	17-00199-21	1	17
Power Cord, (BN19H-2E) (240V)	17-00198-14	1	17
Power Cord, (BN19K-2E) (220V)	17-00310-08	1	17
Power Cord, (BN19M-2E) (220V)	17-00364-18	1	17
Power Supply Assembly {100-115V} (RG5-0531-000)	FD-41614-01	5	12
Power Supply Assembly {220-240V} (RG5-0553-000)	FD-41616-01	5	12
Printer, 8 PPM Simplex Laser {115V}	LN09-A2	1	16
Printer, 8 PPM Simplex Laser {240V}	LN09-A3	1	16
Rack, 29T	RF5-0441-000	19C	19
Rail, Guide	RB1-2613-000	19B	5
Ring, E-	XD2-1100-322	18B	41
Ring, E-	XD2-1100-402	15	24
Ring, E-	XD2-1100-402	19B	41
Ring, E-	XD2-1100-502	10	43
Ring, E-	XD2-1100-502	15	25
Ring, E-	XD2-1100-502	18B	42
Ring, E-	XD2-1100-502	19B	30L
Ring, E-	XD2-1100-502	19B	42
Ring, Grip	XD2-2100-502	9	5
Ring, Roller	RA1-7584-000	17	1
Ring, SE-	XD2-2300-402	10	44
Rod, Switch	RB1-2352-000	5	4
Roller	RA2-1567-000	18B	3
Roller	RS5-6113-000	19B	27B
Roller, Arm	RB1-2152-000	12	22C
Roller, Delivery	RB1-2299-000	15	2
Roller, Delivery, Lower	RF5-0438-000	15	15
Roller, Delivery, Upper	RF5-0652-000	15	16
Roller, Feed	RB1-2253-000	7	2
Roller, Feeder	RB1-2635-000	19B	9
Roller, Guide	RB1-2182-000	12	19
Roller, Guide	RB1-2616-000	19A	11A
Roller, Lower	RB1-2264-000	17	5
Roller, MP Tray Pick-Up (RB1-2127-000)	FD-41630-01	12	2

INDEX BY DEC/VENDOR PART DESCRIPTION

DECClasser 5100

DESCRIPTION	DEC PART NO.	FIG. NO.	ITEM NO.
Roller, Oblique (A)	RB1-2188-000	10	6
Roller, Oblique (A)	RF5-0784-000	10	8
Roller, Paper Feed	RA2-1563-000	18B	1
Roller, Paper Pick-Up 1	RF1-3546-000	18B	31
Roller, Paper Pick-Up 2	RF1-3547-000	18B	33
Roller, Pick-Up (RB1-2632-000)	FD-41631-01	19B	33
Roller, Pick-Up (RB1-2126-000)	FD-41629-01	12	1
Roller, Separation Lower	RF1-3545-000	18B	35
Roller, Transfer (RF5-0349-000)	FD-41633-01	7	13
Roller, Upper	RB1-2263-000	17	4
Roller, Upper	RF1-3548-000	18B	29C
Screw, (M3 x 8)	XA9-0591-000	19B	34
Screw, (M3 x 8)	XA9-0591-000	19B	26
Screw, Binding	XA9-0258-000	6	13
Screw, Hex Hd, w/Washer	XA9-0574-000	7	14
Screw, Hex Head	XA9-0623-000	7	3
Screw, M3 x 6	XA9-0596-000	2	6D
Screw, M3 x 8	XA9-0591-000	10	24
Screw, M3 x 8	XA9-0591-000	12	23
Screw, M3 x 8	XA9-0591-000	19A	11H
Screw, M3 x 8	XA9-0591-000	19A	14
Screw, M3 x 8	XA9-0591-000	19C	32
Screw, M3 x 8	XA9-0591-000	4	25
Screw, M4 x 6	XA9-0592-000	4	26
Screw, M4 x 8	XA9-0615-000	19A	16
Screw, Machine Pan Hd w/Washer M3 x 8	XA9-0253-000	3	8
Screw, Machine Pan Hd w/Washer M3 x 8	XA9-0253-000	2	8
Screw, Machine Pan Hd w/Washer M3 x 8	XA9-0253-000	4	22
Screw, Machine Pan Hd w/Washer M3 x 8	XA9-0253-000	5	7
Screw, Machine Pan Hd w/Washer M3 x 8	XA9-0253-000	7	15
Screw, Machine Truss Hd M3 x 10	XB1-2301-009	19B	39
Screw, Machine Truss Hd M3 x 5	XB1-2300-507	19B	30K
Screw, Machine Truss Hd (M3 x 6)	XB1-2300-607	18B	37
Screw, Machine Truss Hd M3 x 6	XB1-2300-607	12	27
Screw, Machine Truss Hd M4 x 6	XB1-2400-607	18B	38
Screw, Pan Hd Tapping M4 x 12	XB4-7401-207	18A	14
Screw, Stepped (M3)	RA1-7636-000	19B	1
Screw, Stepped M3	RS5-9055-000	17	30
Screw, Stepped w/Washer (M3)	RF5-0716-000	17	36
Screw, TP (M3 x 4)	XB6-7300-409	17	35
Screw, TP (M3 x 6)	XA9-0267-000	13	4
Screw, TP M3 x 6	XA9-0267-000	17	27
Screw, TP M3 x 6	XA9-0267-000	19B	31
Screw, TP M3 x 8	XB5-6300-807	18B	40
Screw, TP M3 x 4	XA9-0326-000	19A	15
Screw, TP M3 x 6	XA9-0267-000	5	16
Screw, TP M3 x 6	XB5-6300-807	18A	12
Screw, TP, M3 x 10	XB6-7301-000	19A	19
Screw, TP, M3 x 6	XA9-0267-000	4	23
Screw, TP, M3 x 6	XA9-0267-000	6	14
Screw, Tapping Pan Hd M4 x 10	XB4-7401-007	18B	39
Screw, Truss Hd w/Washer	FA9-1449-000	5	14
Screw, w/Spring Washer	XA9-0585-000	5	10
Screw, w/Spring Washer M3 x 12	XA9-0584-000	5	15

INDEX BY DEC/VENDOR PART DESCRIPTION

DEClaser 5100

DESCRIPTION	DEC PART NO.	FIG. NO.	ITEM NO.
Screw, w/Spring Washer M3 x 14	XA9-0639-000	4	24
Screw, w/Washer M3 x 21.5	XA9-0667-000	12	26
Screw, w/Washer M3 x 6	XA9-0663-000	3	9
Screw, w/Washer M3 x 6	XB2-8300-607	17	34
Screw, w/Washer M3 x 12	XA9-0640-000	10	42
Screwdriver, Phillips PTS	47-00159-01	1	N/A
SENSOR ASSEMBLY, PAPER OUT (RG5-0475-060)	FD-42843-01	1	10
SENSOR ASSEMBLY, PAPER OUT (RG5-0475-060)	FD-42843-01	16	N/A
SENSOR HOLDER ASSEMBLY	RG5-0466-000	12	21
Sensor, Cable {J605/J132/J133}	RG5-0528-000	12	21F
SEPARATION ASSEMBLY	RG1-3112-000	18B	29
Shaft	RB1-2307-000	15	5
Shaft	RF5-0375-000	19A	9
Shaft, Drive	RF1-3550-000	18B	23
Shaft, Feeder	RB1-2639-000	19B	11
Shaft, Gear	RB1-2319-000	9	2
Shaft, Paper Feed	RA2-1572-000	18B	8
Shaft, Paper Pick-Up 1	RA2-1589-000	18B	30
Shaft, Paper Pick-Up 2	RA2-1592-000	18B	32
Shaft, Pick-Up	RF5-0372-000	19B	13
Shaft, Pick-up (F)	RB1-2158-000	10	2
Shaft, Pick-up (M)	RB1-2159-000	10	3
Shaft, Separation Lower	RA2-1586-000	18B	34
Shaft, Separation Roller	RF1-3549-000	18B	29D
Sheet, Friction	RB1-2388-000	11	22A
Sheet, Friction	RB1-2419-000	19C	17A
Sheet, Separation	RB1-2149-000	12	22B
Shim	RB1-2641-000	19B	12
Shutter, Laser	RB1-2080-000	4	1
Solenoid	RH7-5071-000	10	25
Solenoid	RH7-5075-000	10	39
Solenoid (DC 24V)	RH7-5080-000	19B	25
Spacer	RB1-2426-000	19C	16
Spacer	RS5-6115-000	19B	24
Spacer	RS5-6115-000	19B	30J
Spacer	XZ1-1301-805	19C	33
Spacer, No. 2	RS5-6131-000	19B	37
Spring, Compression	RS1-2386-000	18B	9
Spring, Compression	RS5-2168-000	17	24
Spring, Compression	RS5-2175-000	12	11
Spring, Compression	RS5-2176-000	12	14H
Spring, Compression	RS5-2181-000	7	4J
Spring, Compression	RS5-2182-000	7	4J
Spring, Compression	RS5-2183-000	7	4L
Spring, Compression	RS5-2185-000	15	13
Spring, Compression	RS5-2186-000	11	17
Spring, Compression	RS5-2187-000	11	18
Spring, Compression	RS5-2188-000	11	19
Spring, Compression	RS5-2193-000	19C	30
Spring, Compression	RS5-2193-000	19C	30
Spring, Compression	RS5-2202-000	19B	22
Spring, Compression	RS5-2218-000	4	9
Spring, Grounding	RB1-2294-000	15	17B
Spring, Guide	RB1-2286-000	17	26

INDEX BY DEC/VENDOR PART DESCRIPTION

DECClasser 5100

DESCRIPTION	DEC PART NO.	FIG. NO.	ITEM NO.
Spring, Leaf	RA2-1570-000	18B	6
Spring, Leaf	RB1-2135-000	10	1
Spring, Leaf	RB1-2139-030	12	16
Spring, Leaf	RB1-2240-000	7	4E
Spring, Leaf	RB1-2241-000	7	4F
Spring, Leaf	RB1-2242-000	7	4G
Spring, Leaf	RB1-2243-000	7	4H
Spring, Leaf	RB1-2295-000	15	18
Spring, Leaf	RB1-2431-000	19C	13
Spring, Leaf	RB1-2617-000	19A	13
Spring, Leaf	RB1-2625-000	19B	7
Spring, Leaf	RB1-2629-000	19A	11B
Spring, Leaf	RB1-2739-000	11	15
Spring, Leaf	RB1-2967-000	15	21
Spring, Leaf	RB1-3442-000	15	22
Spring, Leaf	RB1-3574-000	2	6A
Spring, Leaf	RF5-0669-000	19C	18B
Spring, Leaf, Click	RB1-2939-000	3	1A
Spring, Roller	RB1-2302-000	15	3
Spring, Slide	RB1-2146-000	14	2
Spring, Switch	RB1-2966-000	1	14
Spring, Tension	RS5-2169-000	16	3
Spring, Tension	RS5-2170-000	1	18
Spring, Tension	RS5-2171-000	12	21D
Spring, Tension	RS5-2172-000	10	23
Spring, Tension	RS5-2180-000	17	25
Spring, Tension	RS5-2184-000	15	12
Spring, Tension	RS5-2192-000	19C	29
Spring, Tension	RS5-2201-000	19B	21
Spring, Tension	RS5-2203-000	19A	11E
Spring, Tension	RS5-2216-000	10	40
Spring, Tension	RS5-2217-000	8	7
Spring, Tension	RS5-2219-000	2	5C
Spring, Tension	RS5-2220-000	12	12
Spring, Torsion	RA2-1571-000	18B	7
Spring, Torsion	RB1-2122-000	1	10
Spring, Torsion	RB1-2123-000	1	11
Spring, Torsion	RB1-2164-000	10	4
Spring, Torsion	RB1-2167-000	10	34
Spring, Torsion	RB1-2169-000	12	7
Spring, Torsion	RB1-2180-000	10	30
Spring, Torsion	RB1-2193-000	10	27
Spring, Torsion	RB1-2389-000	11	14
Spring, Torsion	RS1-2195-020	19C	18A
Stop, Hinge	RB1-2314-000	3	6
Strap, Grounding Wrist Disposable	12-36175-01	1	N/A
Support, Cartridge	RB1-2105-030	4	4
SWITCH ASSEMBLY, MAIN	N/A	1	4
SWITCH ASSEMBLY, MAIN	N/A	8	N/A
SWITCH ASSEMBLY, MAIN	N/A	5	17
Switch, Main	RB1-2962-000	8	2
TRANSFER BLOCK ASSEMBLY (RG5-0468-000)	29-31506-01	7	4

INDEX BY DEC/VENDOR PART DESCRIPTION

DEClaser 5100

DESCRIPTION	DEC PART NO.	FIG. NO.	ITEM NO.
TRAY ASSEMBLY, UNIVERSAL INPUT – 250 SHEET	LN0XX-TA	1	11
TRAY ASSEMBLY, UNIVERSAL INPUT – 250 SHEET	LN0XX-TA	11	N/A
TRAY, INPUT UNIVERSAL – 500 Sheet (Tray Only)	LN0XX-TC	19C	N/A
TRAY, INPUT UNIVERSAL – 500 Sheet (Tray Only)	LN0XX-TC	19	3
TRAY ASSEMBLY, MULTI-PURPOSE	29-31473-01	1	15
TRAY ASSEMBLY, MULTI-PURPOSE	29-31473-01	14	N/A
TRAY	RF5-0557-000	14	3
Thermistor	RH7-7045-000	17	28
Thermo-switch Assembly	RG5-0474-000	17	31
Tie, Cable	WT2-0030-000	19A	11G
Tie, Cable	WT2-0030-000	19A	17
Tie,Cable	WT2-0030-000	7	12
Tool, Hard Disk Installation	74-48329-01	1	N/A
Tray, B	RB1-3751-000	2	4
Tray, Extension	RA2-1628-000	18A	5
Varistor	RH9-0737-000	7	4M
Washer	RS5-6116-000	19B	35
Washer, Grounding	RB2-2287-000	17	2
Washer, Shim	XD1-1106-232	19B	40
Washer, Wave	RS5-6114-000	19B	23
Washer, Wave	RS5-6117-000	19B	36
Weight	RB1-2627-000	19B	32
Weight	RF1-3560-000	18A	6