

DRAWING DIRECTORY

CUSTOMER PRINT SET INDEX

THIS IS PRINT SET

--	--	--	--

DRAWING DIRECTORY
CIRCUIT SCHEMATIC
PWR CONTROL BOARD
CIRCUIT SCHEMATIC
UNIT ASSEMBLY H742
UNIT ASSEMBLY (PL)

SEQUENCE

B-DD-H742-0
D-CS H742-0-1
E-1A 5409730-0-0
C-CS 5409730-0-1
E-UA-H742-0-0
A-PL-H742-0-0

SEQUENCE

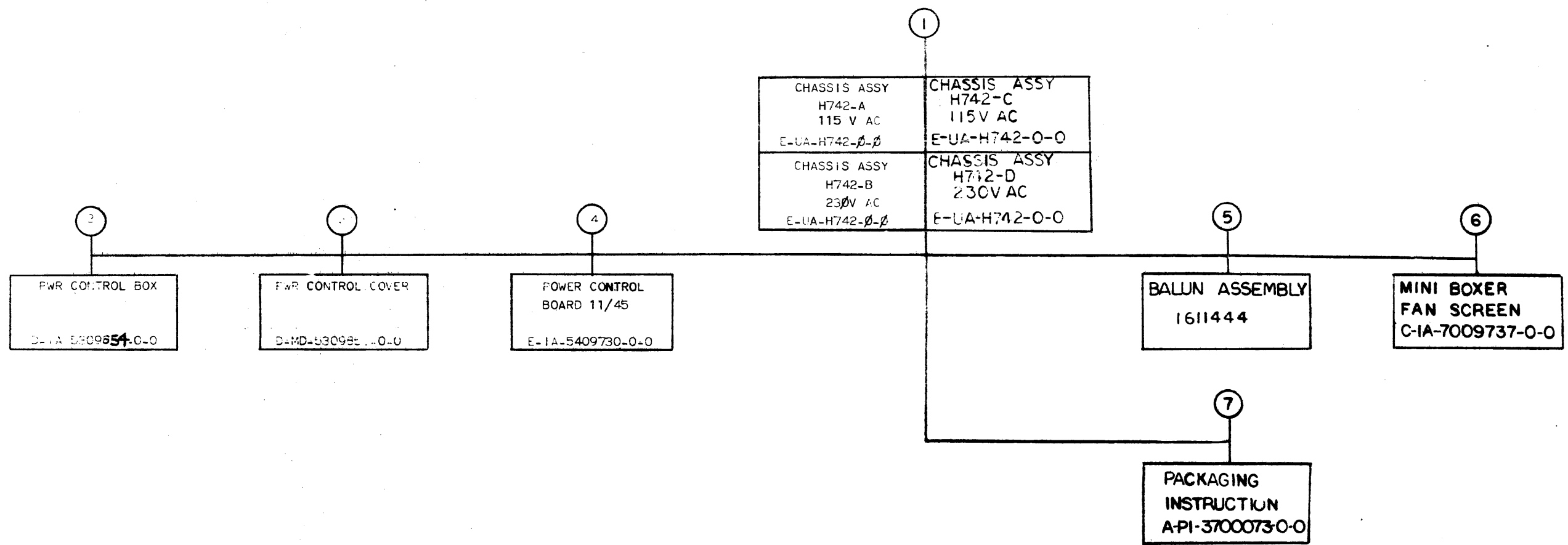
MFG SET

TEST PROCEDURE A-SP H742 0-3
MFG SPEC. A-SP-H742-0-8
PACKAGING INSTRUCTION A-PI-3700073-0-0

UNIT VARIATIONS

VARIATION	TITLE	PRINT SET TYPE			
		H742-1			
H742-A	CHASSIS ASSY (115V)	X			
H742-B	CHASSIS ASSY (230V)	X			
H742-C	CHASSIS ASSY (115V)	X			
H742-D	CHASSIS ASSY (230V)	X			

REVISIONS		DATE	CHG. NO.	REV	USED ON OPTION/MODEL		DRN.	DATE	TITLE	SIZE CODE		NUMBER			REV
		7/72	H742-2	A			J. FONTAINE	1/31/72	CHASSIS ASSY H742			H742-0			U
		7/72	H742-3	B			CHK'D <i>[Signature]</i>	2-6-72		B	DD				
		8/72	H742-4	C			PROJ ENG <i>[Signature]</i>	2-4-72							
		8/72	H742-5	D			PROD <i>[Signature]</i>	2-24-72							
		10/72	H742-7	E			FIELD SERV. <i>[Signature]</i>	2-7-72							
		11/72	H742-8	F											
		12/72	H742-11	H											
		2/73	H742-12	J											
		2/73	H742-13	K											
		2-73	H742-14	L											
		4-73	H742-15	M											
		4-73	H742-16	N											
		5-73	H742-17	P											
		6-73	H742-18	R											
		12-73	H742-19	S											
		3-74	H742-20	T											
		4-74	H742-21	U											
							SHEET 1 OF 3		DIST						



TITLE	SHEET 2 OF 3	SIZE CODE	NUMBER	REV
CHASSIS ASSY H742		B DD	H742- 0	U

This drawing and specifications, herein, are the property of Digital Equipment Corporation and shall not be reproduced or copied or used in whole or in part as the basis for the manufacture or sale of items without written permission.

8

7

6

5

4

3

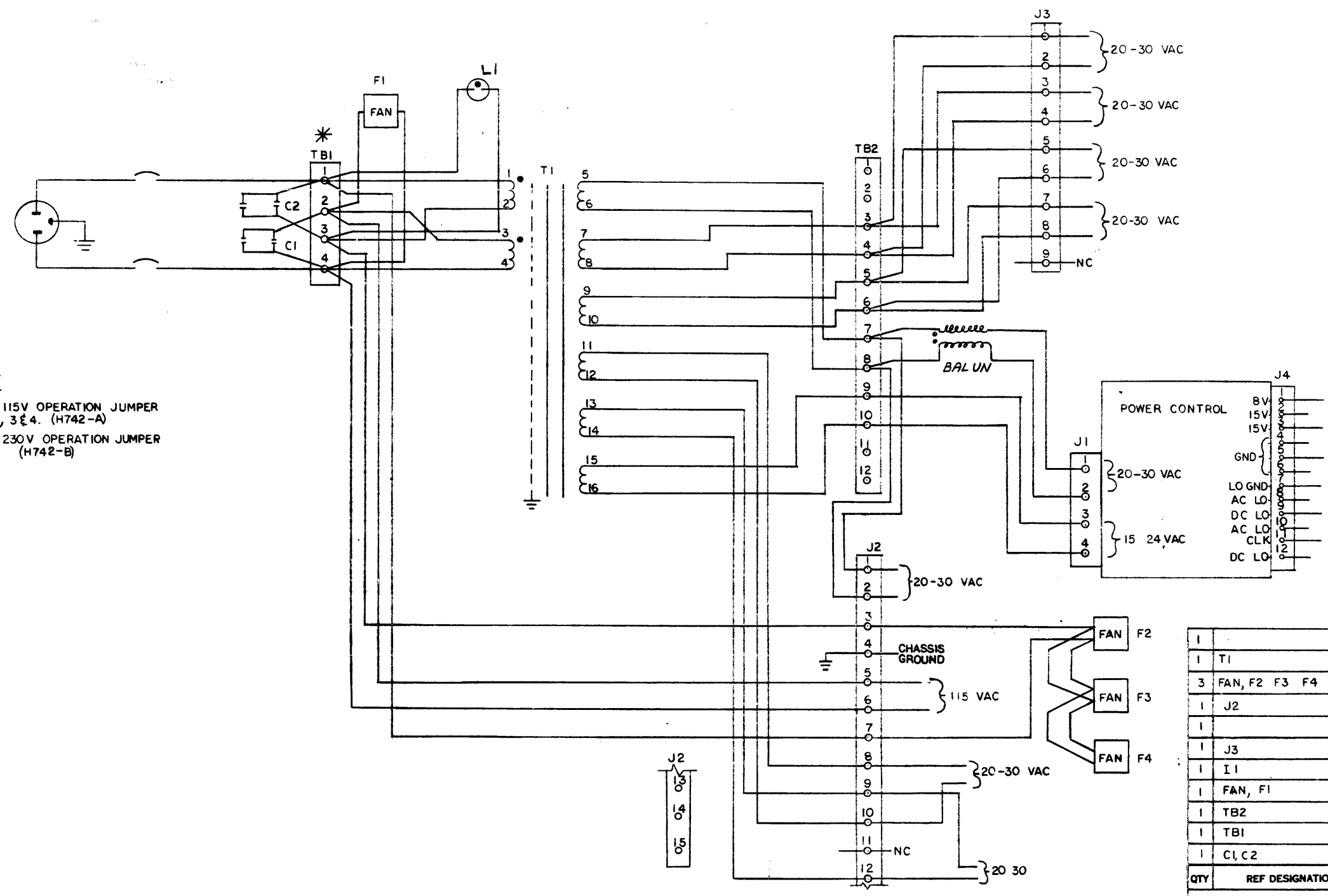
2

1

CSH742-0-1

NOTE

* FOR 115V OPERATION JUMPER 1 & 2, 3 & 4. (H742-A)
 FOR 230V OPERATION JUMPER 2 & 3. (H742-B)



QTY	REF DESIGNATION	DESCRIPTION	PART NO.	ITEM NO.
1		POWER CONTROL	5409730	11
1	T1	XMFR	1610857	10
3	FAN, F2 F3 F4	FAN SUPER BOXER	1209403-1	9
1	J2	MATE-N-LOCK	1209350-15	8
1		BALUN ASSY	1611444	7
1	J3	MATE-N-LOCK	1209350-9	6
1	I1	LIGHT PILOT	1201280	5
1	FAN, F1	FAN PEWEE	1210719	4
1	TB2	JONES STPIP	9006917	3
1	TBI	JONES STRIP	9006902	2
1	C1, C2	CAPACITOR 2 X 1UF 1000V	1010193	1

J2
05
04
05

A

A

REV	CHANGE NO.	REV
A	1	5-23-72
B	2	6-25-72
C	3	7-14-72
D	4	6-21-73
E	5	6-15-73

DATE	BY	REV
2-3-72	R. WOLF	1
3-3-72	R. WOLF	2
2-4-72	R. WOLF	3
2-3-72	R. WOLF	4

digital EQUIPMENT CORPORATION
 MAYNARD, MASSACHUSETTS

TITLE: **CIRCUIT SCHEMATIC**
 H742

SCALE: **B-DD-H742-0**

SIZE/NO: **DCSH742-0-1**

REV. **E**

8

7

6

5

4

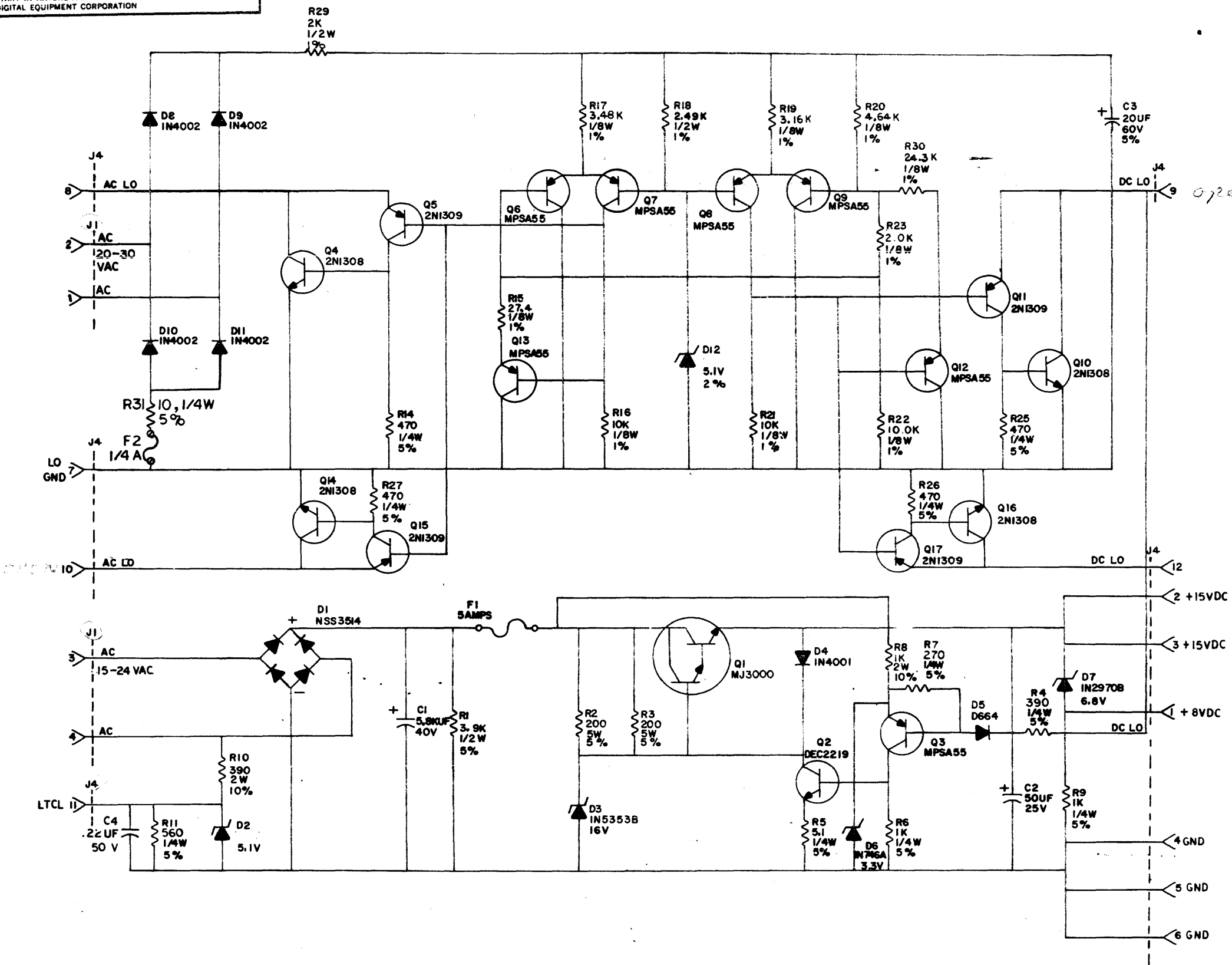
3

2

1

DCSH742-0-1

THIS SCHEMATIC IS FURNISHED ONLY FOR TEST AND MAINTENANCE PURPOSES. THE CIRCUITS ARE PROPRIETARY IN NATURE AND SHOULD BE TREATED ACCORDINGLY. COPYRIGHT 1972 BY DIGITAL EQUIPMENT CORPORATION



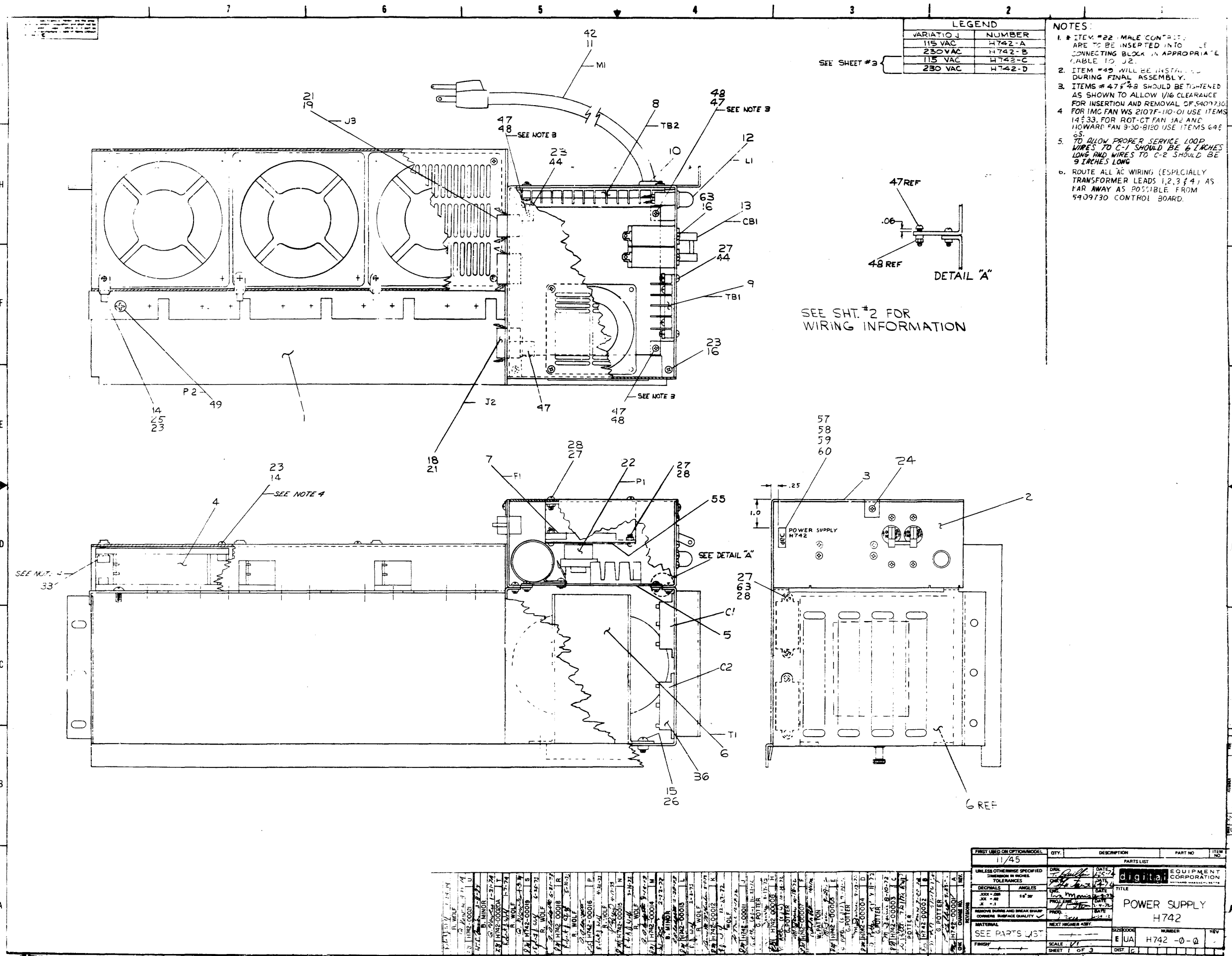
REV	CHG	NO.	REV.	BY	DATE
1	00001	C		G. POTTER	3-1-72
2	00002	D		G. POTTER	3-1-72
3	00003	E		G. POTTER	3-1-72
4	00004	F		G. POTTER	3-1-72
5	00005	G		G. POTTER	3-1-72
6	00006	H		G. POTTER	3-1-72
7	00007	I		G. POTTER	3-1-72
8	00008	J		G. POTTER	3-1-72
9	00009	K		G. POTTER	3-1-72
10	00010	L		G. POTTER	3-1-72
11	00011	M		G. POTTER	3-1-72
12	00012	N		G. POTTER	3-1-72
13	00013	O		G. POTTER	3-1-72
14	00014	P		G. POTTER	3-1-72
15	00015	Q		G. POTTER	3-1-72
16	00016	R		G. POTTER	3-1-72
17	00017	S		G. POTTER	3-1-72
18	00018	T		G. POTTER	3-1-72
19	00019	U		G. POTTER	3-1-72
20	00020	V		G. POTTER	3-1-72
21	00021	W		G. POTTER	3-1-72
22	00022	X		G. POTTER	3-1-72
23	00023	Y		G. POTTER	3-1-72
24	00024	Z		G. POTTER	3-1-72

DRN.	DATE	TRANSISTOR	DIODE	CONVERSION CHART
S. COOPER	2/24/72	DEC2219	2N2219	1N9231
		2N1308	SAME	1N5353B
		MPSA55	SAME	1N751A
		MJ3000	SAME	1N4001
		2N1309	SAME	1N2970B
		IN4002	SAME	1N746A
		D664	IN3606	

digital		EQUIPMENT CORPORATION		MAYNARD, MASSACHUSETTS	
SIZE	CODE	NUMBER	REV.		
C	CS	5409730-0-1	N		
PRINTED CIRCUIT REV.			E		

DEC FORM NO. DRC 102

REV. N
NUMBER 5409730-0-1
SIZE CODE C CS



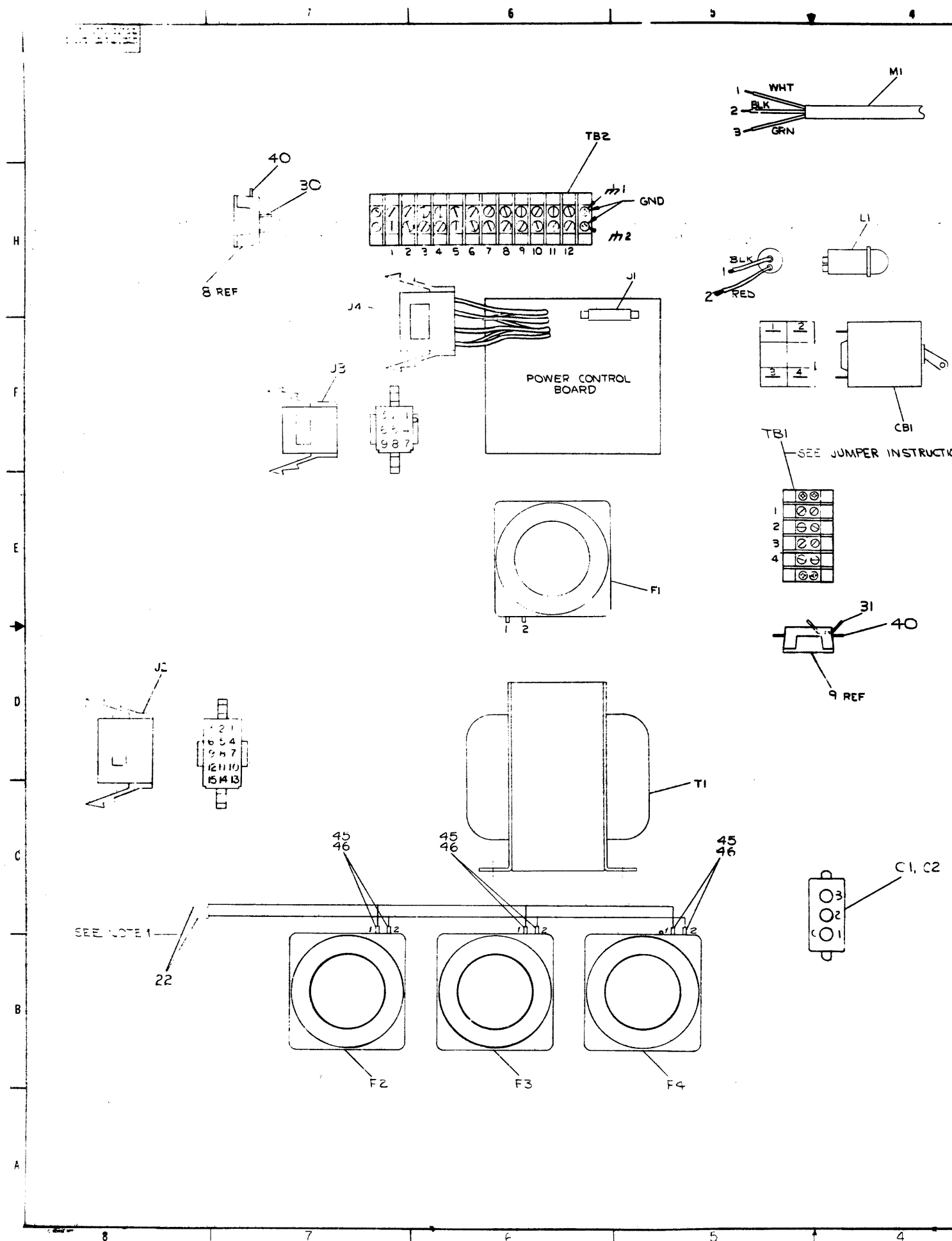
VARIATION	NUMBER
115 VAC	H742-A
230 VAC	H742-B
115 VAC	H742-C
230 VAC	H742-D

- NOTES:**
- ITEM #22 - MALE CONNECTORS ARE TO BE INSERTED INTO THE CONNECTING BLOCK IN APPROPRIATE CABLE TO J2.
 - ITEM #49 WILL BE INSTALLED DURING FINAL ASSEMBLY.
 - ITEMS #47 & 48 SHOULD BE TIGHTENED AS SHOWN TO ALLOW 1/16" CLEARANCE FOR INSERTION AND REMOVAL OF 5409730.
 - FOR IMC FAN WS 2107F-110-01 USE ITEMS 14 & 23. FOR ROT-CT FAN JA2 AND HOWARD FAN 3-30-B120 USE ITEMS 64 & 65.
 - TO ALLOW PROPER SERVICE LOOP WIRES TO C-1 SHOULD BE 6 INCHES LONG AND WIRES TO C-2 SHOULD BE 9 INCHES LONG.
 - ROUTE ALL AC WIRING (ESPECIALLY TRANSFORMER LEADS 1, 2, 3 & 4) AS FAR AWAY AS POSSIBLE FROM 5409730 CONTROL BOARD.

SEE SHT. #2 FOR WIRING INFORMATION

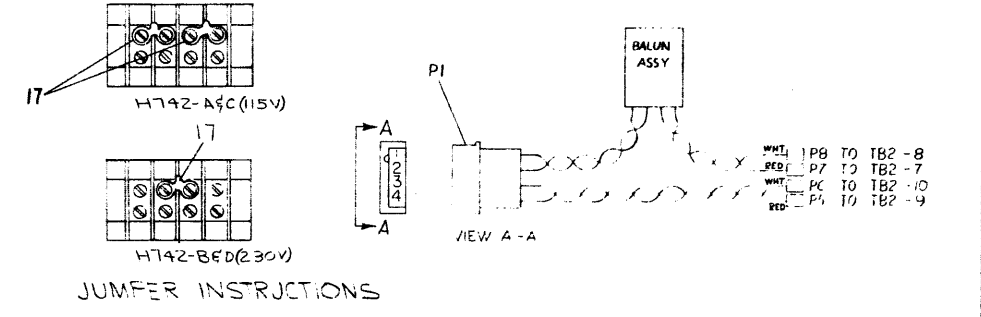
REV	DESCRIPTION	DATE	BY
1	ASSEMBLY	11/45	R. WOLF
2	REVISION	11/45	R. WOLF
3	REVISION	11/45	R. WOLF
4	REVISION	11/45	R. WOLF
5	REVISION	11/45	R. WOLF
6	REVISION	11/45	R. WOLF
7	REVISION	11/45	R. WOLF
8	REVISION	11/45	R. WOLF
9	REVISION	11/45	R. WOLF
10	REVISION	11/45	R. WOLF
11	REVISION	11/45	R. WOLF
12	REVISION	11/45	R. WOLF
13	REVISION	11/45	R. WOLF
14	REVISION	11/45	R. WOLF
15	REVISION	11/45	R. WOLF
16	REVISION	11/45	R. WOLF
17	REVISION	11/45	R. WOLF
18	REVISION	11/45	R. WOLF
19	REVISION	11/45	R. WOLF
20	REVISION	11/45	R. WOLF
21	REVISION	11/45	R. WOLF
22	REVISION	11/45	R. WOLF
23	REVISION	11/45	R. WOLF
24	REVISION	11/45	R. WOLF
25	REVISION	11/45	R. WOLF
26	REVISION	11/45	R. WOLF
27	REVISION	11/45	R. WOLF
28	REVISION	11/45	R. WOLF
29	REVISION	11/45	R. WOLF
30	REVISION	11/45	R. WOLF
31	REVISION	11/45	R. WOLF
32	REVISION	11/45	R. WOLF
33	REVISION	11/45	R. WOLF
34	REVISION	11/45	R. WOLF
35	REVISION	11/45	R. WOLF
36	REVISION	11/45	R. WOLF
37	REVISION	11/45	R. WOLF
38	REVISION	11/45	R. WOLF
39	REVISION	11/45	R. WOLF
40	REVISION	11/45	R. WOLF
41	REVISION	11/45	R. WOLF
42	REVISION	11/45	R. WOLF
43	REVISION	11/45	R. WOLF
44	REVISION	11/45	R. WOLF
45	REVISION	11/45	R. WOLF
46	REVISION	11/45	R. WOLF
47	REVISION	11/45	R. WOLF
48	REVISION	11/45	R. WOLF
49	REVISION	11/45	R. WOLF
50	REVISION	11/45	R. WOLF
51	REVISION	11/45	R. WOLF
52	REVISION	11/45	R. WOLF
53	REVISION	11/45	R. WOLF
54	REVISION	11/45	R. WOLF
55	REVISION	11/45	R. WOLF
56	REVISION	11/45	R. WOLF
57	REVISION	11/45	R. WOLF
58	REVISION	11/45	R. WOLF
59	REVISION	11/45	R. WOLF
60	REVISION	11/45	R. WOLF

FIRST USED ON OPTION/MODEL	QTY.	DESCRIPTION	PART NO.	ITEM NO.
11/45				
UNLESS OTHERWISE SPECIFIED DIMENSION IN INCHES TOLERANCES				
DECIMALS	ANGLES	EQUIPMENT CORPORATION		
.0001 - .001	1/2°	POWER SUPPLY		
.001 - .005	1°	H742		
.005 - .010	3°	EUA H742 -0-Q		
.010 - .020	5°	SCALE 1/1		
.020 - .030	10°	SHEET 1 OF 3		
.030 - .040	15°			
.040 - .050	20°			
.050 - .060	25°			
.060 - .070	30°			
.070 - .080	35°			
.080 - .090	40°			
.090 - .100	45°			
.100 - .110	50°			
.110 - .120	55°			
.120 - .130	60°			
.130 - .140	65°			
.140 - .150	70°			
.150 - .160	75°			
.160 - .170	80°			
.170 - .180	85°			
.180 - .190	90°			
.190 - .200	95°			
.200 - .210	100°			
.210 - .220	105°			
.220 - .230	110°			
.230 - .240	115°			
.240 - .250	120°			
.250 - .260	125°			
.260 - .270	130°			
.270 - .280	135°			
.280 - .290	140°			
.290 - .300	145°			
.300 - .310	150°			
.310 - .320	155°			
.320 - .330	160°			
.330 - .340	165°			
.340 - .350	170°			
.350 - .360	175°			
.360 - .370	180°			
.370 - .380	185°			
.380 - .390	190°			
.390 - .400	195°			
.400 - .410	200°			
.410 - .420	205°			
.420 - .430	210°			
.430 - .440	215°			
.440 - .450	220°			
.450 - .460	225°			
.460 - .470	230°			
.470 - .480	235°			
.480 - .490	240°			
.490 - .500	245°			
.500 - .510	250°			
.510 - .520	255°			
.520 - .530	260°			
.530 - .540	265°			
.540 - .550	270°			
.550 - .560	275°			
.560 - .570	280°			
.570 - .580	285°			
.580 - .590	290°			
.590 - .600	295°			
.600 - .610	300°			
.610 - .620	305°			
.620 - .630	310°			
.630 - .640	315°			
.640 - .650	320°			
.650 - .660	325°			
.660 - .670	330°			
.670 - .680	335°			
.680 - .690	340°			
.690 - .700	345°			
.700 - .710	350°			
.710 - .720	355°			
.720 - .730	360°			
.730 - .740	365°			
.740 - .750	370°			
.750 - .760	375°			
.760 - .770	380°			
.770 - .780	385°			
.780 - .790	390°			
.790 - .800	395°			
.800 - .810	400°			
.810 - .820	405°			
.820 - .830	410°			
.830 - .840	415°			
.840 - .850	420°			
.850 - .860	425°			
.860 - .870	430°			
.870 - .880	435°			
.880 - .890	440°			
.890 - .900	445°			
.900 - .910	450°			
.910 - .920	455°			
.920 - .930	460°			
.930 - .940	465°			
.940 - .950	470°			
.950 - .960	475°			
.960 - .970	480°			
.970 - .980	485°			
.980 - .990	490°			
.990 - 1.000	495°			

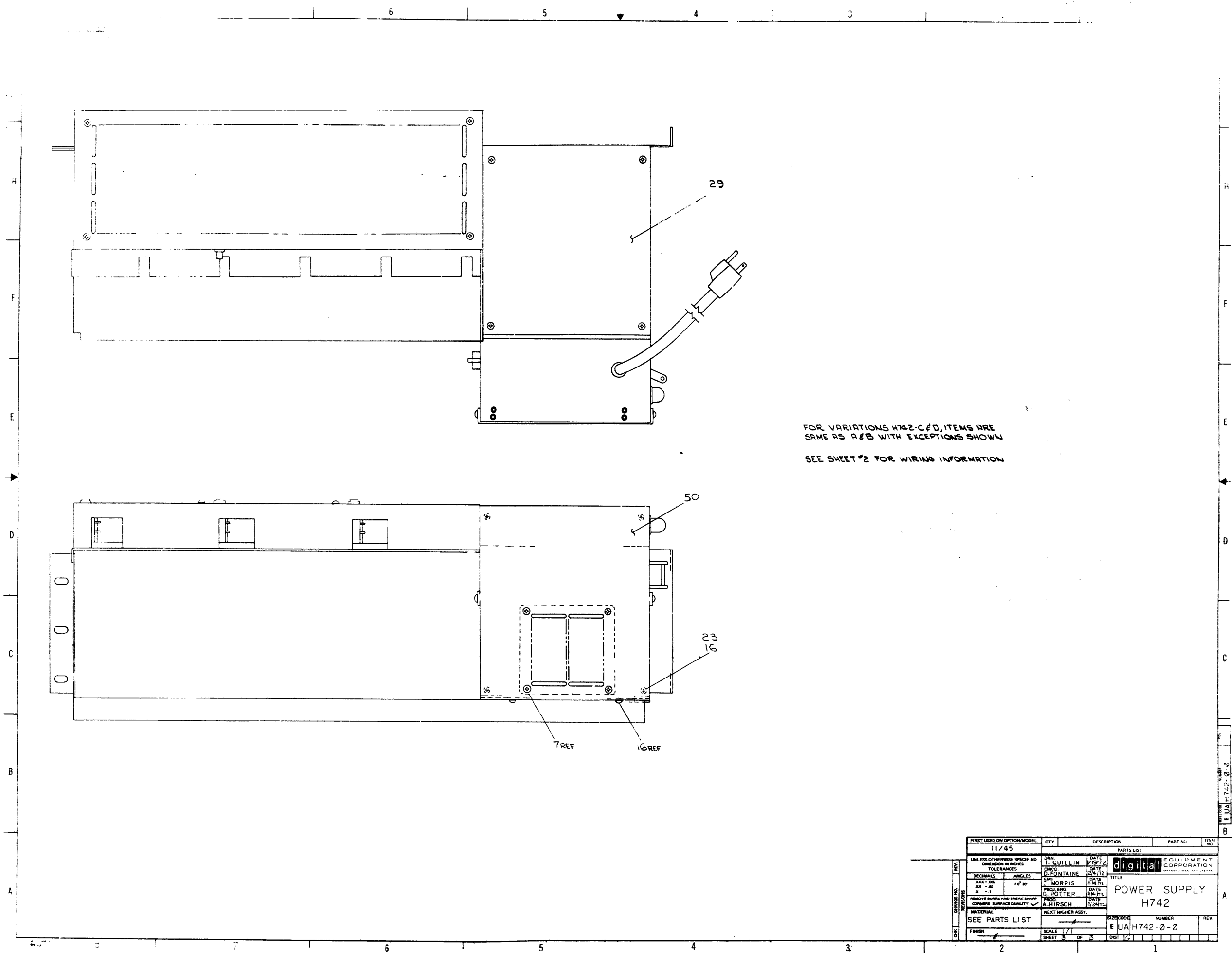


WIRE TABLE

ITEM NO.	AWG	COLOR	FROM		TO		REMARKS
			CONN	WITH	CONN	WITH	
34	18	WHT	C2-1	SOLDER	TB1-3	35	SEE NOTE #5
34	18	WHT	J2-3	18,21			
34	18	RED	J2-7	18,21	TB1-1	35	
34	18	RED	C2-3	SOLDER			
6		BLK	T1-5		TB2-7	35	
			T1-6		TB2-8		
			T1-7		TB2-3		
			T1-8		TB2-4		
			T1-9		TB2-5		
			T1-10		TB2-6	35	
			T1-11		J2-8	21,2	
			T1-12		J2-0	21,15	
			T1-13		J2-9	21,18	
			T1-14		J2-12	21,15	
			T1-15		TB2-9	35	
			T1-6		TB2-0	35	
6	BLK		L1-1		TB1-1	35	
2	BLK		L1-2		TB1-3	35	
12	RED		L1-2		TB1-3	35	
34	18	RED	TB1-2	39	F1-1	SOLDER	TWISTED PAIR
		WHT	TB1-4	39	F1-2	SOLDER	
43	18	RED	C2-2	SOLDER	C2-3	SOLDER	
43	18	RED	C1-2	SOLDER	C1-3	SOLDER	
11	16	WHT	M1-1		CBI-3	35	POWER CORD
11	16	BLK	M1-2		CBI-4	35	
11	16	GRN	M1-3		TB2-11	23,38	
32	14	RED	TB2-3	35	J3-1	19,21	
			TB2-3		J3-3		
			TB2-4		J3-2		
			TB2-4		J3-4		
			TB2-5		J3-5		
			TB2-5		J3-7		
			TB2-6		J3-6		
			TB2-6		J3-8	19,21	
32	14	RED	TB2-7	35	J2-1	18,21	
32	14	RED	TB2-8	35	J2-2	16,21	
6	BLK		TB1-3	35	T1-2		
6	BLK		TB1-1	35	T1-1		
6	BLK		TB1-4	35	T1-4		
6	BLK		TB1-2	35	T1-3		
34	18	RED	J2-5	18,21			SEE NOTE #5
34	18	RED	C1-3	SOLDER	TB1-2	35	
34	18	WHT	J2-6	18,21			
34	18	WHT	C1-1	SOLDER	TB1-4	35	
34	18	RED	F4-1	45,46	F3-1	45,46	TWISTED PAIR
34	18	WHT	F4-2	45,46	F3-2	45,46	
34	18	RED	F3-1	45,46	F2-1	45,46	TWISTED PAIR
34	18	WHT	F3-2	45,46	F2-2	45,46	
34	18	RED	F2-1	45,46	P2-7 *	22	TWISTED PAIR
34	18	WHT	F2-2	45,46	P2-3 *	22	
32	14	WHT	CBI-1	35	TB1-4	35	
32	14	RED	CBI-2	35	TB1-1	35	
62	14	GRN	J2-4	21	TB2-11	23,38	



FIRST USED ON OPTION MODEL		QTY	DESCRIPTION	PART NO.	ITEM NO.
11/45					
UNLESS OTHERWISE SPECIFIED DIMENSIONS IN INCHES					
DECIMALS	ANGLES	TOLERANCES			
XX - .001	XX - .001	XX - .001			
XX - .002	XX - .002	XX - .002			
XX - .005	XX - .005	XX - .005			
REMOVE BURRS AND BREAK SHARP CORNERS SURFACE QUALITY					
MATERIAL					
NEXT HIGHER ASSY.					
SEE PARTS LIST					
FINISH		SCALE	SHEET	OF	3
		SCALE	1/2"	OF	3
		SHEET	2	OF	3
		DIST	1	OF	1



FOR VARIATIONS H742-C & D, ITEMS ARE
 SAME AS A & B WITH EXCEPTIONS SHOWN
 SEE SHEET #2 FOR WIRING INFORMATION

FIRST USED ON OPTION/MODEL		QTY.	DESCRIPTION	PART NO.	ITS'G NO.
1/45			PARTS LIST		
UNLESS OTHERWISE SPECIFIED DIMENSIONS IN INCHES TOLERANCES	DRN	T. QUILLIN	DATE	1/9/72	
	CHK'D	D. FONTAINE	DATE	2/4/72	
DECIMALS	ANGLES	ENR	J. MORRIS	DATE	2/4/72
.XXX - .006	10° 30'	PROJ. ENG.	G. POTTER	DATE	2/24/72
.XXX - .02		PROOF	A. HIRSCH	DATE	2/24/72
X - .1		REMOVE BURRS AND BREAK SHARP CORNERS SURFACE QUALITY			
MATERIAL	NEXT HIGHER ASSY.				
SEE PARTS LIST	SCALE		SUBGROUP NUMBER		
FINISH	1/1		EUAH742-0-0		
CHK'D	EXTENSIONS	SHEET 3 OF 3		DIST 1/2	

digital EQUIPMENT CORPORATION
 TITLE
 POWER SUPPLY
 H742

EUAH742-0-0

DIGITAL EQUIPMENT CORPORATION MAYNARD, MASSACHUSETTS				QUANTITY VARIATION			
PARTS LIST				H742-A (115V)	H742-B (230V)	H742-C (115V)	H742-D (230V)
MADE BY T. GULLIN	CHECKED D. FONTAINE	SECTION 1					
DATE 1-19-72	DATE 1-26-72	ISSUED SECT. 1					
ENG G. POTTER	PROD A. HIRSCH						
DATE 2-14-72	DATE 2-24-72						
ITEM NO	DWG NO. / PART NO.	DESCRIPTION	H742-A (115V)	H742-B (230V)	H742-C (115V)	H742-D (230V)	
1	E-IA-5309753-0-0	C ASSIS	1	1	1	1	
2	D-IA-5309384-0-0	CONTROL BOX COVER	1	1	1	1	
3	D-MD-509400-0-0	POWER CONTROL BOARD	1	1	1	1	
4	1209403-1	FAN, POWER	1	1	1	1	
5	402730-0-0	POWER CONTROL BOARD	1	1	1	1	
6	16-10107	EMER	1	1	1	1	
7	1210719	FAN P.W.M. BOXEP	1	1	1	1	
8	9009216	TOUCH STRIP 14 CONN. 24C	1	1	1	1	
9	9008403	TOUCH STRIP 14 CONN. 4C	1	1	1	1	
10	9008509	STRAIN RELIEF	1	1	1	1	
11	1700016	CORD, POWER (115V)	1	1	1	1	
12	1211263	SCR. PHL PAN HD #6-32 X 1/4 LG	1	1	1	1	
13	1210913	CIRCUIT BREAKER 15 AMP	1	1	1	1	
14	9006021	SCR. PHL PAN HD #6 X 32 X 5/8 LG	12	12	12	12	
15	9006071	SCR. PHL TRUSS HD #10-32 X 3/8 LG	4	4	4	4	
16	9006020	SCR. PHL PAN HD #6-32 X 1/4 LG	8	8	14	14	
17	9009002	MECHANICAL JUMPER	2	1	2	1	
18	1209350-15	MATE-N-LOCK 15 PIN (FEMALE)	1	1	1	1	
19	1209350-09	MATE-N-LOCK 9 PIN (FEMALE)	1	1	1	1	
20	1209351-04	MATE-N-LOCK 4 PIN (FEMALE)	1	1	1	1	
21	1209379-01	CONTACTS (FEMALE)	19	19	19	19	
22	1209378-01	CONTACTS (MALE)	6	6	16	16	
TITLE H742 POWER CONTROL			ASSY NO. E-UA-H742-0-0	SIZE CODE A PL	NUMBER H742-0-0	REV U	ECO NO H742 0002P
SHEET 1 OF 4			DIST				

DEC FORM D16 (325) 1031 N870
DRA 110

DIGITAL EQUIPMENT CORPORATION MAYNARD, MASSACHUSETTS				QUANTITY VARIATION			
PARTS LIST				H742-A (115V)	H742-B (230V)	H742-C (115V)	H742-D (230V)
MADE BY T. GULLIN	CHECKED D. FONTAINE	SECTION 1					
DATE 1-19-72	DATE 1-26-72	ISSUED SECT. 1					
ENG G. POTTER	PROD A. HIRSCH						
DATE 2-14-72	DATE 2-24-72						
ITEM NO	DWG NO. / PART NO.	DESCRIPTION	H742-A (115V)	H742-B (230V)	H742-C (115V)	H742-D (230V)	
45	12-10820-1	CONNECTOR HOUSING	6	6	6	6	
46	12-10820-2	CONNECTOR PIN	6	6	6	6	
47	9006022-3	SCR. PHL TRUSS HD #6-32 X 3/8 LG	4	4	4	4	
48	9006556	NUT HEX #6-32 X 5/16 X 1/6	3	3	3	3	
49	9009228	SCR PHL PAN HD, 10-32 X 3/8 SEMS	10	10	10	10	
50	D-MD-409702-C-C	COVER, POWER CONTROL	1	1	1	1	
51	E-IA-5309384-0-0	CONTROL BOX	1	1	1	1	
52	D-IA-5309384-0-0	CONTROL BOX	1	1	1	1	
53	9006024	SPACER #6-32 X 3/16 LG SST	1	1	1	1	
54	A-PI-3700073-0-0	PACKAGING INSTRUCTIONS	1	1	1	1	
55	C-IA-7009737-0-0	MINI BOXER FAN SCREEN	1	1	1	1	
56	9006024	SCR PHL PAN HD #6-32 X 1/2 LG	12	12	12	12	
57	A-DC-5310459-0-0	DECAL, H742A	1	-	-	-	
58	A-DC-5310460-0-0	DECAL, H742B	-	1	-	-	
59	A-DC-5310461-0-0	DECAL, H742C	-	-	1	-	
60	A-DC-5310462-0-0	DECAL, H742D	-	-	-	1	
61	161444	BALUN ASSEMBLY	1	1	1	1	
62	910737C-55	*14AWG 1PVC STRANDED, GREEN	A/R	A/R	A/R	A/R	
63	9006633	LOCK WASHER, #6 INT. TOOTH	8	8	8	8	
64	9007993-1	SCR. PHL PAN HD, 6-32 X 9/16 LG	12	12	12	12	
65	9008208	FAN MTG. CLIP	12	12	12	12	
TITLE H742 POWER CONTROL			ASSY NO. E-UA-H742-0-0	SIZE CODE A PL	NUMBER H742-0-0	REV U	ECO NO H742 0002P
SHEET 3 OF 4			DIST				

DEC FORM D16 (325) 1031 N870
DRA 110

DIGITAL EQUIPMENT CORPORATION MAYNARD, MASSACHUSETTS				QUANTITY VARIATION			
PARTS LIST				H742-A (115V)	H742-B (230V)	H742-C (115V)	H742-D (230V)
MADE BY T. GULLIN	CHECKED D. FONTAINE	SECTION 1					
DATE 1-19-72	DATE 1-26-72	ISSUED SECT. 1					
ENG G. POTTER	PROD A. HIRSCH						
DATE 2-14-72	DATE 2-24-72						
ITEM NO	DWG NO. / PART NO.	DESCRIPTION	H742-A (115V)	H742-B (230V)	H742-C (115V)	H742-D (230V)	
23	9007649	L WASH #6 EXT	20	20	12	12	
24	9006483	#6-32 SEMS X 1/8 LG	2	2	2	2	
25	9007033	TY WRAP HOLDER	2	2	2	2	
26	9007651	L WASH #10 EXT	4	4	4	4	
27	9006560	KEPS NUT #6-32	16	16	16	16	
28	9006022-1	SCR. PHL HD PAN #6-32 X 1/4 LG	12	12	12	12	
29	D-IA-7403701-0-0	BRACKET, POWER CONTROL	1	1	1	1	
30	9007113	DOUBLE UPRIGHT 90	8	8	8	8	
31	9007269	DOUBLE 45°	4	4	4	4	
32	9107370-22	#14 AWG 19 STRAND PVC. INS. (RED)	A/R	A/R	A/R	A/R	
33	9009165	FAN MTG CLIP	12	12	12	12	
34	9107530-29	#18 AWG 19 STRAND PVC. INS. (RED/WHT) TWP	A/R	A/R	A/R	A/R	
35	9007919	FASTON TAB (.250 SERIES) BLU	32	32	32	32	
36	10-10193	CAPACITOR 2 X .1 uf @ 1000V	2	2	2	2	
37	9007920	FASTON TAB (.250 SERIES) YEL	4	4	4	4	
38	9007927	RING TERMINAL BLU	2	2	2	2	
39	9007917	FASTON TAB (.250 SERIES) RED	8	8	8	8	
40	9007112	SINGLE FLAT	16	16	16	16	
41	D-IA-5309384-0-0	CONTROL BOX	1	1	1	1	
42	1700016	CORD POWER (230V)	1	1	1	1	
43	9107360-22	#18 AWG 19 STRAND PVC. INS. (RED)	A/R	A/R	A/R	A/R	
44	9007793-1	SCR PHL PAN HD #6-32 X 9/16 LG	8	8	8	8	
TITLE H742 POWER CONTROL			ASSY NO. E-UA-H742-0-0	SIZE CODE A PL	NUMBER H742-0-0	REV U	ECO NO H742 0002P
SHEET 2 OF 4			DIST				

DEC FORM D16 (325) 1031 N870
DRA 110

DIGITAL EQUIPMENT CORPORATION MAYNARD, MASSACHUSETTS				QUANTITY VARIATION			
PARTS LIST				H742-A (115V)	H742-B (230V)	H742-C (115V)	H742-D (230V)
MADE BY T. GULLIN	CHECKED D. FONTAINE	SECTION 1					
DATE 1-19-72	DATE 1-26-72	ISSUED SECT. 1					
ENG G. POTTER	PROD A. HIRSCH						
DATE 2-14-72	DATE 2-24-72						
ITEM NO	DWG NO. / PART NO.	DESCRIPTION	H742-A (115V)	H742-B (230V)	H742-C (115V)	H742-D (230V)	
66	A-PI-3700073-0-0	PACKAGING INSTRUCTIONS	1	1	1	1	
TITLE H742 POWER CONTROL			ASSY NO. E-UA-H742-0-0	SIZE CODE A PL	NUMBER H742-C-0	REV U	ECO NO H742 0002P
SHEET 4 OF 4			DIST				

DEC FORM D16 (325) 1031 N870
DRA 110