

**AD8-EA  
analog-to-digital  
converter  
engineering drawings**

# MASTER DRAWING LIST

This drawing and specifications, herein, are the property of Digital Equipment Corporation and shall not be reproduced or copied or used in whole or in part as the basis for the manufacture or sale of items without written permission.

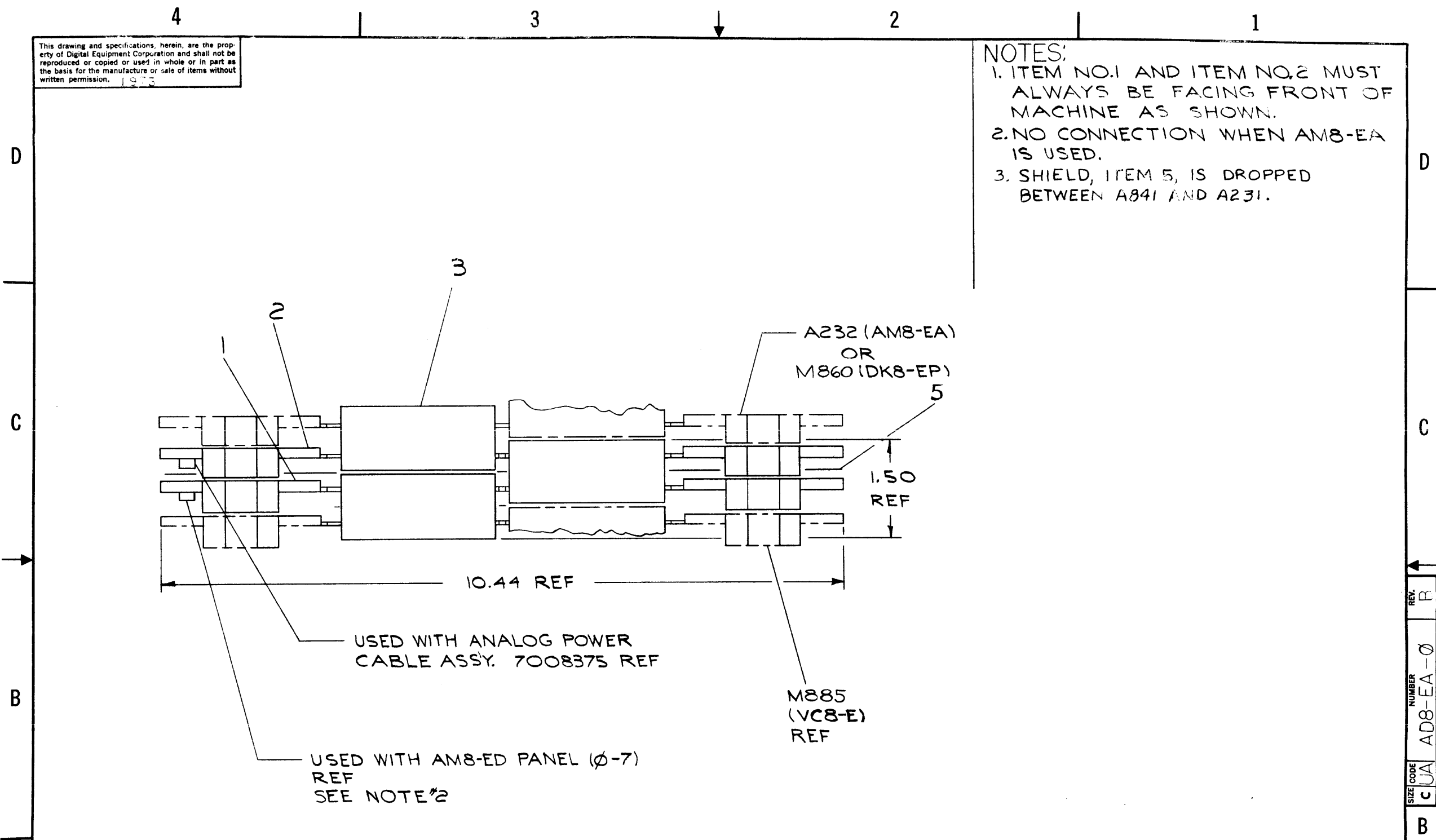
DWG. NO.	REV. LET.	NO. OF SHEETS	TITLE
C-UP-AD8-EA-0	B	1	10 BIT A/D CONVERTER
A-PL-AD8-EA-0	B	1	10 BIT A/D CONVERTER (PL)
E-CS-A841-0-1	#	2	A/D CONVERTER
E-CS-A231-0-1	#	2	AD8-E CONTROL (AD8-EA)
A-SP-AD8-EA-1	REF	14	AD8EA ENGINEERING SPECIFICATION
A-SP-AD8-EA-2	REF	14	ACCEPTANCE PROCEDURE
A-AL-AD8-EA-3	R	2	ACCESSORY LIST (AD8-EA)
D-IA-7008533-0-0 *	REF	1	AD/AM ANALOG CARIE
			*INCLUDED IN A-ML-LAB8-E

REVISIONS				DRN.	DATE	<div style="font-size: 2em; font-weight: bold; margin: 0;">digital</div> EQUIPMENT CORPORATION <small>MAYNARD, MASSACHUSETTS</small>			
REV.	DATE	CHG. NO.	APP'D.	D. CRABBE	4-5-71				
A	11/71	AD8E-1	A.W.	CHK'D.	DATE	TITLE  10 BIT CONVERTER  SIZE CODE      NUMBER      REV. A ML              AD8-EA              D			
B	1/72	LAB8E-13	G.B.	ENG.	DATE				
C	4/72	LAB8E-14	G.E.	PROJ. ENG.	DATE				
D	12/72	LAB8E-17	G.E.	PROD.	DATE				
				FIRST USED ON	DATE				
				SCALE					
				SHEET	OF				

This drawing and specifications, herein, are the property of Digital Equipment Corporation and shall not be reproduced or copied or used in whole or in part as the basis for the manufacture or sale of items without written permission. 1973

NOTES:

1. ITEM NO.1 AND ITEM NO.2 MUST ALWAYS BE FACING FRONT OF MACHINE AS SHOWN.
2. NO CONNECTION WHEN AM8-EA IS USED.
3. SHIELD, ITEM 5, IS DROPPED BETWEEN A841 AND A231.



REVISIONS	CHANGE NO.	REV.
	A	A
A. VALLACK 11-2-71		
LAB8E-00017 B		
BUDIANSKY		
11-2-71		

FIRST USED ON OPTION MODEL	QTY.	DESCRIPTION	PART NO.	ITEM NO.
LAB8-E				
PARTS LIST				
UNLESS OTHERWISE SPECIFIED	DRN.	DATE	<div style="display: flex; align-items: center;"> <b>DIGITAL</b> EQUIPMENT CORPORATION  <small>MAYNARD, MASSACHUSETTS</small> </div>	
UNLESS OTHERWISE SPECIFIED	CHK'D.	DATE		
DIMENSION IN INCHES	ENG.	DATE		
TOLERANCES	PROJ. ENG.	DATE		
DECIMALS ± .005	PROD.	DATE		
FRACTIONS ± 1/64			TITLE	
ANGLES ± 0°30'			10 BIT A/D CONVERTER	
FINAL SURFACE QUALITY REMOVE BURRS AND BREAK SHARP CORNERS				
MATERIAL	NEXT HIGHER ASSY.		SIZE CODE	NUMBER
+ + +	A-PL-LAR8-E-Ø		C UA	AD8-EA-Ø
FINISH	SCALE	1/1	REV.	B
+ + +	SHEET	1 OF 1	DIST.	

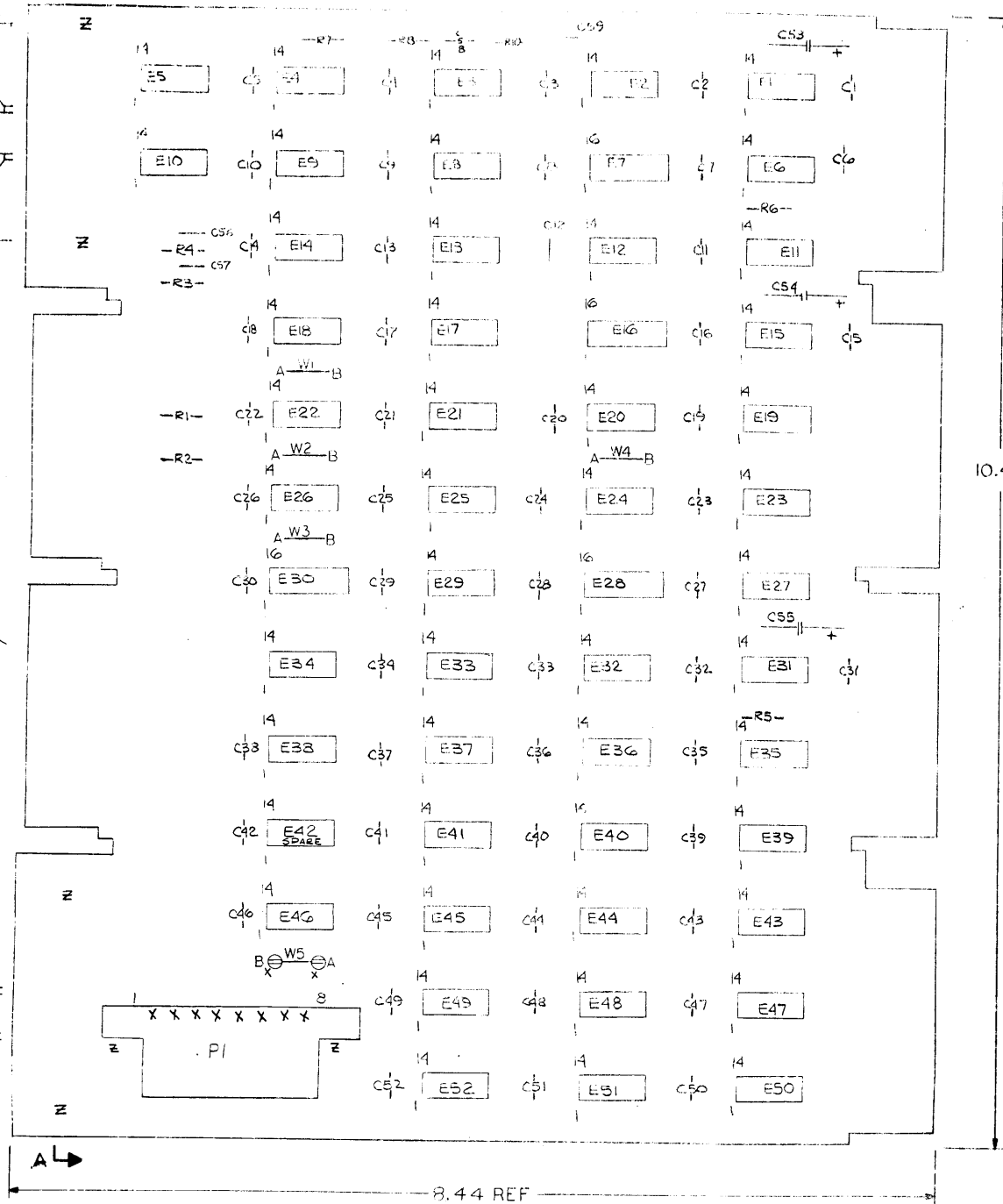
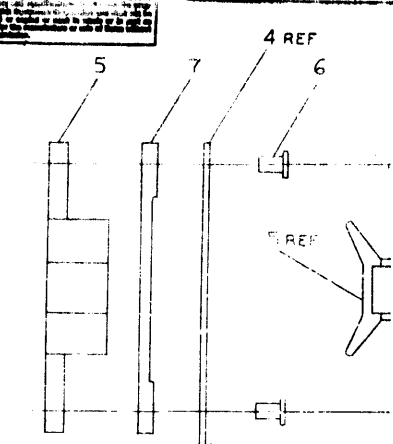
REV. B  
NUMBER AD8-EA-Ø  
SIZE CODE C UA



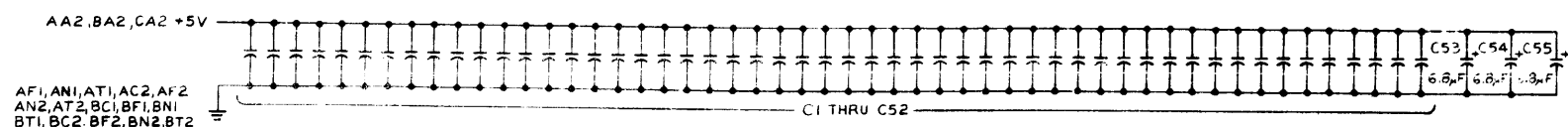
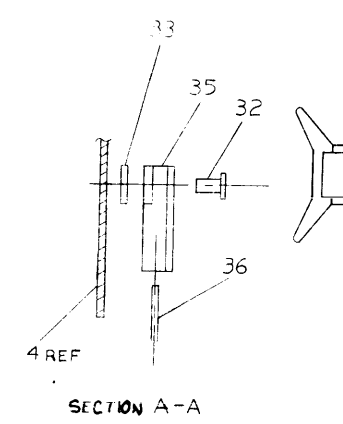




- NOTES:
- UNLESS OTHERWISE INDICATED: CAPACITORS ARE .01μF 100V 20%.
  - JUMPER W5 TO BE REMOVED DURING AUTOMATIC TEST ONLY; PACE ALWAYS BE INSTALLED DURING USE. W1 THRU W4 ARE REMOVED FOR REPAIR PURPOSES ONLY AND MUST ALWAYS BE INSTALLED FOR OPERATION.



10.44 REF



AF1, AN1, AT1, AC2, AF2  
AN2, AT2, BC1, BF1, BN1  
BT1, BC2, BF2, BN2, BT2  
CC1, CF1, CN1, CT1, CC2, CF2  
CN2, CT2, DC1, DF1, DN1, DT1  
DC2, DF2, DN2, DT2

IC TYPE	QTY	REF	LOC	FROM	TO
DEC 380	1	A			
DEC B235	1	B	16	34	22 W5-A W5-B
DEC 384	1	B	16	34	22 W4-A W4-B
DEC 384	1	B	16	34	22 W3-A W3-B
DEC 8251	1	B	16	34	22 W2-A W2-B
IC TYPE	QTY	REF	LOC	FROM	TO

QTY	REF	DESIGNATION	VALUES	MANUFACTURER	PART NO.
2		SPLIT LUGS			9006735
1	PI	PIN #61320-1 AMP			1209452
AR		MATE-N-LOCK CONN 8 CIR			1209340
2		WIRE BUSSING #22 AWG			9107560-01
2		WASHER #6 #2162 SMITH			9006593
2		EYELET #A-1733 STIMPSON			9006745
AR		GRIPLET			1210244-0
3	C56,C58,C59	CAP 1000MMF 100V 5% MICA			1000042
52	C1 THRU C52	CAP .01μF 100V 20% DISC			1001610
3	C53,C54,C55	CAP 6.8μF 35V 20% TANT			1000067
1	C57	CAP 27PF 100V 5% MICA			1001732
1	R10	RES 22Ω 1/4W 5%			1301969
2	R5,R6	RES 470Ω 1/4W 5%			1300316
3	R3,R8,R4	RES 4.7K 1/4W 5%			1300447
3	R1,R2,R7	RES 1.5K 1/4W 5%			1300391
14	E8,E9,E13,E14,E18,E22 E26,E34,E38,E50,E51 E24,E28,E12	IC DEC 7474			1905547
4	E2,E7,E25,E13,E44,E47	IC DEC 7400			1905575
4	E14,E15,E43,E45,E52	IC DEC 7403			1905204
3	E4,E9,E46	IC DEC 7440			1905579
2	E35,E39	IC DEC 8881			1905705
5	E6,E15,E25,E27,E32	IC DEC 380			1903485
3	E11,E36,E48	IC DEC 7404			1909686
3	E7,E16,E30	IC DEC 8235			1909935
3	E3,E5,E10	IC DEC 9601			1909373
2	E33,E37	IC DEC 7450			1905580
1	E31	IC DEC 384			1909486
1	E23	IC DEC 314			1909704
1	E28	IC DEC 8251			1909594
1	E21	IC DEC 74164			1910041
2		#940 (CABLE CLAMP)			1202704
4		EYELET #654-1 STIMPSON			9006750
2		HANDLE FLIP CHIP AMBER			9008331-0
1		ETCHED CIRCUIT BOARD			5003643
REF		MODULE HISTORY DWG			B-MH-A231-0-6
REF		ASSY/DRILLING HOLE LAYOUT			D-AH-A231-0-2
REF		XY COORDINATE HOLE LOC			K-CO-A231-0-4

FIRST USED ON OPTION/NO  
LAR 8/E

REV	BOARD REV	F	FIGURE LIST	DATE	BY
1					
2					

EQUIPMENT CORPORATION

AD8-E CONTROL

DEC NO. 271

REVISIONS

DATE

BY





