

This drawing and specifications, herein, are the property of Digital Equipment Corporation and shall not be reproduced or copied or used in whole or in part as the basis for the manufacture or sale of items without written permission.

MASTER DRAWING LIST

DWG. NO.	REV. LET.	NO. OF SHEETS	TITLE
D-UA-TM10-0-0	H	1	MAG TAPE CONTROL TM10A (60 HZ)
A-PL-TM10-0-0	H	4	MAG TAPE CONTROL TM10A (P.L.) (60 HZ)
C-AD-7006148-0-0			CABLE SET TM10
D-BS-TM10-0-BC1	A	1	BUFFER CONTROL
D-BS-TM10-0-BC2	A	1	BUFFER CONTROL
D-BS-TM10-0-BR1		1	BUFFER REGISTER
D-BS-TM10-0-BR2		1	BUFFER REGISTER
D-BS-TM10-0-CC	A	1	CHANNEL CONTROL CHANNEL INTERFACE
D-BS-TM10-0-CHB		1	CHANNEL BUS LOGIC SIGNALS
D-BS-TM10-0-CHND 1		1	CHANNEL DATA INTERFACE
D-BS-TM10-0-CHND 2		1	CHANNEL DATA INTERFACE
D-BS-TM10-0-CHND 3		1	CHANNEL DATA
D-BS-TM10-0-CM1	A	1	COMMAND
D-BS-TM10-0-CM2	A	1	COMMAND
D-BS-TM10-0-HR		1	HOLD REGISTER
D-BS-TM10-0-IND		1	INDICATOR CONNECTORS
D-BS-TM10-0-IOB		1	I/O BUS DATA INTERFACE
D-BS-TM10-0-IOBC	B	1	I/O BUS CONTROL
D-BS-TM10-0-MT		1	MOTION TIMING
D-BS-TM10-0-RD		1	READ DATA
D-BS-TM10-0-ST	D	1	STATUS BITS

REVISIONS				DRN. W.	DATE	digital EQUIPMENT CORPORATION <small>MAYNARD, MASSACHUSETTS</small>
REV.	DATE	CHG. NO.	APP'D.	CHK'D.	DATE	
A	8/14/68	00001	D.G.	STEPHENSON	1/5/68	digital EQUIPMENT CORPORATION <small>MAYNARD, MASSACHUSETTS</small>
B	9/25/68	00003	D.G.	A. PFYFFER	5/23/68	
C	10/11/68	00004	D.G.	<i>A. Gross</i>	6/14/68	
D	1/69	00005	D.G.	<i>A. Gross</i>	6/14/68	
E	1/69	00006	D.G.	PROJ. ENG.	DATE	
F	2/69	00008	D.G.	<i>A. Gross</i>	6/14/68	
H	3/69	00009	D.G.	PROD.	DATE	
J	3/69	00010	D.G.	<i>A. Gross</i>	6/20/68	
K	7/69	00011	D.G.	FIRST USED ON		
L	9/69	00012	D.G.			
M	10/70	Misc. 79	A.K.			
N	12/70	00014	D.G.			
P	2-71	00015	D.G.			
R	5-71	00016	D.G.			

TITLE	MAG TAPE CONTROL (60 HZ)		
	(I/O BUS INTERFACE)		
SIZE	CODE	NUMBER	REV.
A	ML	TM10A-0	R
SHEET 1	OF 3	DIST.	

(1)

DEC FORM NO. DRA 103

MASTER DRAWING LIST

This drawing and specifications, herein, are the property of Digital Equipment Corporation and shall not be reproduced or copied or used in whole or in part as the basis for the manufacture or sale of items without written permission.

DWG. NO.	REV. LET.	NO. OF SHEETS	TITLE
D-BS-TM10-0-T1	C	1	TIMING
D-BS-TM10-0-T2	C	1	TIMING
D-BS-TM10-0-TB	D	1	TRANSPORT BUS
D-BS-TM10-0-WD1	B	1	WRITE DATA
D-BS-TM10-0-WD2	B	1	WRITE DATA
D-CL-TM10-0-TERM	C	1	TERMINATORS
D-MU-TM10-0-MU	F	3	MODULE UTILIZATION (REF.)
D-MU-TM10A-0-MU	E	3	TM10A MODULE UTILIZATION
A-PL-TM10-0-MU	F	3	MODULE COUNT
A-CP-TM10-0-COMP	D	1	EXTERNAL COMPONENT LIST
D-DI-TM10-0-1	E	2	DRAWING INDEX LIST
D-AD-7005642-0-0		1	WIRED ASSY
A-PL-7005642-0-0		1	WIRED ASSY (P.L.)
K-WL-TM10-0-WL	H		WIRE LIST TM10
D-IC-TM10-0-2	F	1	WIRE, POWER AC & DC

REVISIONS				DRN. W.	DATE	digital EQUIPMENT CORPORATION <small>MAYNARD, MASSACHUSETTS</small>
REV.	DATE	CHG. NO.	APP'D.	CHK'D.	DATE	
				STEPHENSON	1/5/68	digital EQUIPMENT CORPORATION <small>MAYNARD, MASSACHUSETTS</small>
				A. PFYFFER	5/23/68	
				<i>A. Gross</i>	6/14/68	
				<i>A. Gross</i>	6/14/68	
				PROJ. ENG.	DATE	
				<i>A. Gross</i>	6/14/68	
				PROD.	DATE	
				<i>A. Gross</i>	6-20-68	
				FIRST USED ON		

TITLE	MAG TAPE CONTROL (60 HZ)		
	(I/O BUS INTERFACE)		
SIZE	CODE	NUMBER	REV.
A	ML	TM10A-0	R
SHEET 2	OF 3	DIST.	

DEC FORM NO. DRA 103

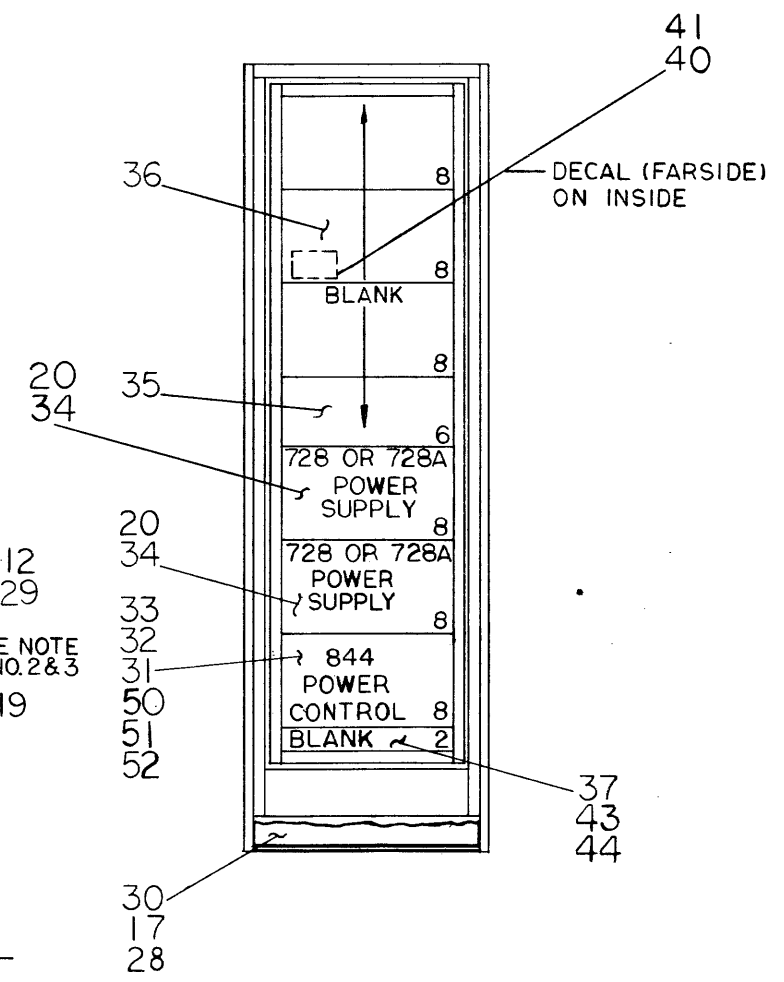
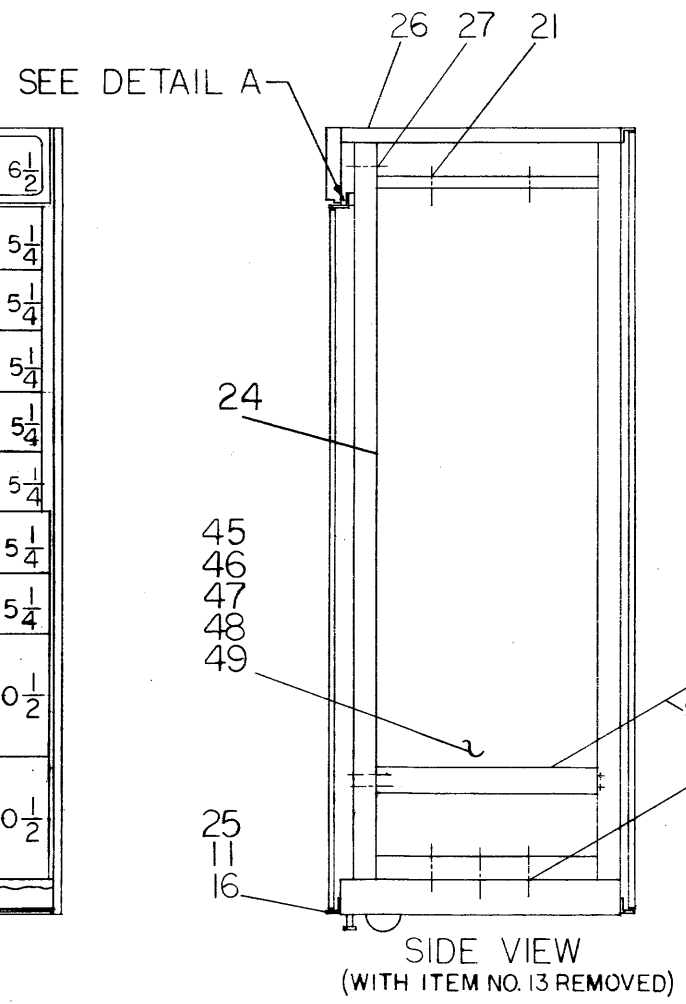
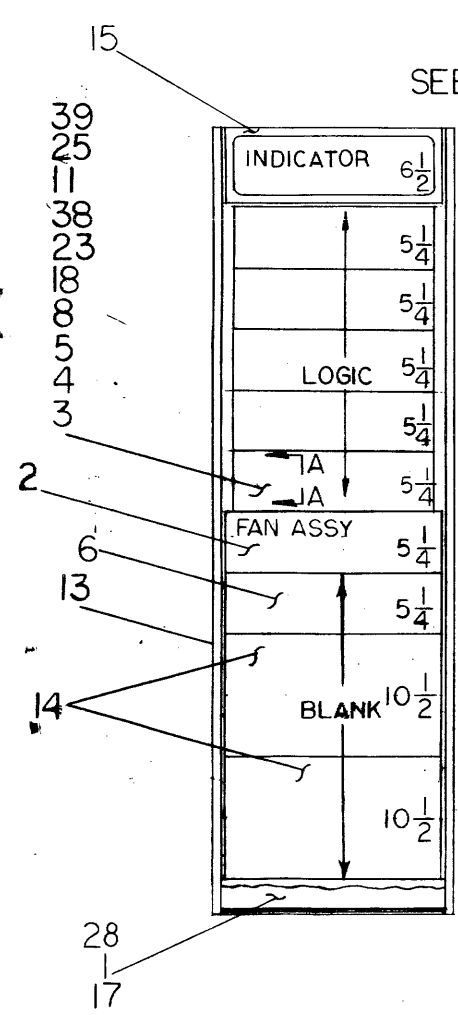
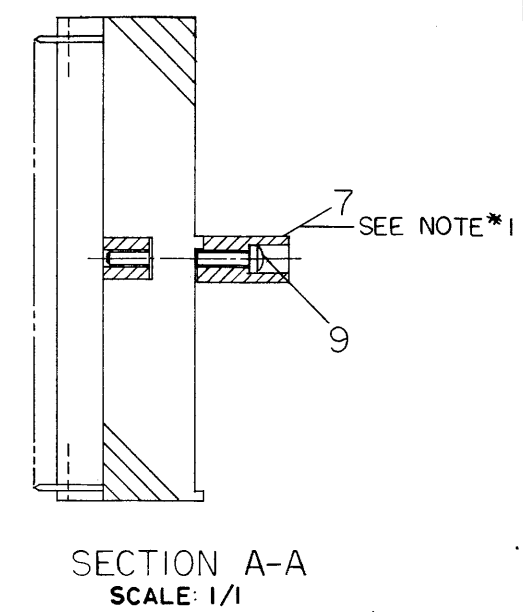
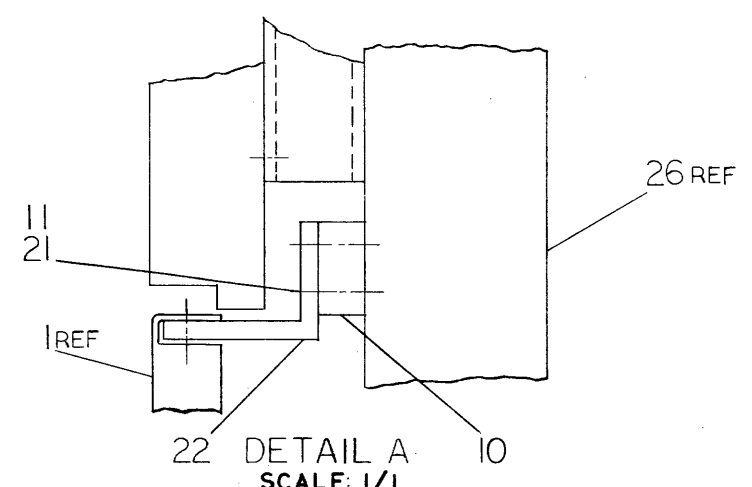
This drawing and specifications, herein, are the property of Digital Equipment Corporation and shall not be reproduced or copied or used in whole or in part as the basis for the manufacture or sale of items without written permission.

LEGEND

NUMBER	VARIATION
TMIO-A-0	60 CYCLE
TMIO-B-0	50 CYCLE

NOTES

- FOR LOCATION OF ITEM NO 7 REFER TO MODULE UTILIZATION LIST SPECIFIED ON MASTER DRAWING LIST; USED AT ALL W851 PLACES
- ITEM NO 29 IS MOUNTED ON LEFT HAND SIDE OF CABINET
- LENGTH OF ITEMS NO 8, 12 & 32 TO BE DETERMINED BY SYSTEM CONFIGURATION
- FOR DRAWING INDEX LIST SEE DRAWING NO. D-DI-TMIO-0-1



REV	CHK	CHG.	REV.
A	ECO # 3313	J	3/15/68
B	ECO # 3365	J	3/15/68
C	ECO # 3371	J	3/15/68
D	ECO # 3531	J	7/16/68
E	ECO # 0005	J	7/16/68
F	ECO # 0010	J	7/16/68
G	ECO # 0011	J	7/16/68
H	ECO # 0012	J	7/16/68
I	ECO # 0013	J	7/16/68
J	ECO # 0014	J	7/16/68
K	ECO # 0015	J	7/16/68
L	ECO # 0016	J	7/16/68
M	ECO # 0017	J	7/16/68
N	ECO # 0018	J	7/16/68
O	ECO # 0019	J	7/16/68
P	ECO # 0020	J	7/16/68
Q	ECO # 0021	J	7/16/68
R	ECO # 0022	J	7/16/68
S	ECO # 0023	J	7/16/68
T	ECO # 0024	J	7/16/68
U	ECO # 0025	J	7/16/68
V	ECO # 0026	J	7/16/68
W	ECO # 0027	J	7/16/68
X	ECO # 0028	J	7/16/68
Y	ECO # 0029	J	7/16/68
Z	ECO # 0030	J	7/16/68

UNLESS OTHERWISE SPECIFIED		DRN.	DATE	PARTS LIST		ITEM NO.
UNLESS OTHERWISE SPECIFIED		CHK'D.	DATE	PARTS LIST		ITEM NO.
DIMENSION IN INCHES		ENG.	DATE	PARTS LIST		ITEM NO.
TOLERANCES		PROJ. ENG.	DATE	PARTS LIST		ITEM NO.
DECIMALS FRACTIONS ANGLES		PROD.	DATE	PARTS LIST		ITEM NO.
± .005 ± 1/64 ± 0°30'		FIRST USED ON	DATE	PARTS LIST		ITEM NO.
FINAL SURFACE QUALITY		MATERIAL				REV.
REMOVE BURRS AND BREAK SHARP CORNERS		FINISH				REV.
		SCALE 1/8				REV.
		SHEET 2 OF 1				REV.
		DIST. G				REV.

digital EQUIPMENT CORPORATION
MAYNARD MASSACHUSETTS

TITLE: MAG-TAPE CONTROL (TMIO)

SIZE CODE: DUA NUMBER: TMIO-0-0

ITEM NO. DUA TMIO-0-0

DIGITAL EQUIPMENT CORPORATION
MAYNARD, MASSACHUSETTS

QUANTITY

REVISIONS

PARTS LIST

ITEM NO.	DWG. NO.	DESCRIPTION	QUANTITY										REVISIONS					
			TM10-A-0	TM10-B-0										CHANGE NO.	DATE	ENG.		
1	A-PL-7005361-2-0	DOOR, FRONT (ASSEMBLY)	1	1														
2	E-AD-7005474-0-0	FAN, HOUSING ASSEMBLY	1	1														
3	D-AD-7005642-0-0	WIRED ASSEMBLY	1	1														
4	C-MD-5302486-0-0	PANEL RIGHT END (5302486)	5	5														
5	C-IA-5402526-0-0	PANEL MARGINAL CHECK ()	5	5														
6	B-MD-5100	PANEL BLANK FILLER "C" SIZE (7402016)	1	1														
7	D-SC-1209850-0-0	BLOCK RETAINER, UNIVERSAL	2	2														
8	D-UA-BC10A-0-0	BC10A	4	4														
9	9007799	SCR PHL FILL. HD #8-32 x 1 1/2 LG SST	2	2														
10	A-MD-7405860-0-0	SPACER	1	1														
11	90-06635	WASHER LOCK EXT TOOTH #10	10	10														
12	C-UA-BC10B-0-0	MC CABLE/REMOTE CONT.	1	1														
13	E-IA-7405092-0-0	PANEL END	2	2														
14	B-MD-5100	PANEL BLANK FILLER "F" (7402027)	2	2														

CHANGE NO. DATE ENG.
 EGO*
 A-3315 2/16/68
 ADDED ITEMS
 *404*41
 B-3365 2/29/68
 CHG'D ASSY
 C-3371 3/20/68
 CHG #445
 D-#3531 6-3/68
 CHG #9
 TM10-
 E-00005 1/14/69
 F-TM10-00010 8-7-69
 H-MISC-00079 10/27/69

MADE BY K. E. WHITE	DATE 8/23/67	TITLE MAG TAPE CONTRL. TM10	DRWG. NO. A-PL-TM10-0-0	REV. LTR.
CHECKED <i>[Signature]</i>	DATE 11-20-67	FOR TM10-A-0 60 HZ TM10-B-0 50 HZ	ASSY NO D-UA-TM10-0-0	SHEET 1 OF 5 H
ENG <i>[Signature]</i>	DATE 11/27/67			

(4)

G

DIGITAL EQUIPMENT CORPORATION MAYNARD, MASSACHUSETTS			QUANTITY										REVISIONS				
PARTS LIST			TM10-A-0	TM10-B-0											CHANGE NO.	DATE	ENG.
ITEM NO.	DWG. NO.	DESCRIPTION															
15	D-AD-7005645-0-0	INDICATOR PANEL ASSY	1	1													
16	D-MD-7405862-0-0	TRIM STRIP, BOTTOM	1	1													
17	90-06633	WASHER EXT TOOTH #6	4	4													
18	D-IA-7005459-3 -0	W012 TO W250 (30 1/2 LG)	4	4													
19	90-06346	SCR SOC HD, CAP #10-32 x 1/2 SST	4	4													
20	D-MA-728A-0-1	POWER SUPPLY TYPE 728A		2													
21	90-06350	SCR SOC HD CAP #10-32 x 1" SST	6	6													
22	B-MD-7405861-0-0	BRACKET (DOOR PIVOT)	1	1													
23	90-06509	POP RIVET 1/8 DIA #AD43ABS USMC	20	20													
24	90-07073	CLAMP CAB-L-TITE #2C1-150 DAKOTA	A/EA/E														
25	90-06074-1	SCR PHL HD PAN #10-32 x 5/8 SST (9006074-1)	106	106													
26	E-IA-7406273-0-0	CABINET FRAME (REWORK)	1	1													
27	90-060383-1	SCR PHL HD PAN #10-32 x 2-1/2 SST (9006083-1)	2	2													
28	90-06020-1	SCR PHL HD PAN #6-32 x 1/4 SST (9006020-1)	4	4													
MADE BY K. E. WHITE		DATE 8/23/67	TITLE MAG-TAPE CONTROL										DRWG. NO. A-PL-TM10-0-0		REV. LTR.		
CHECKED <i>D. E. White</i>		DATE 11-20-67	FOR TM10-A-0 60 HZ TM10-B-0 50 HZ										ASSY NO D-UA-TM10-0-0		SHEET 2 OF 4 H		
ENG <i>D. E. White</i>		DATE 11/27/67															

(5)

G

DIGITAL EQUIPMENT CORPORATION MAYNARD, MASSACHUSETTS			QUANTITY										REVISIONS					
PARTS LIST			TM10-A-0	TM10-B-0												CHANGE NO.	DATE	ENG.
ITEM NO.	DWG. NO.	DESCRIPTION																
29	D-AD-7005467-0-0	BRACKET, POWER CONN ASSY	1	1														
30	D-AD-7005358-2-0	DOOR FULL ASSY	1	1														
31	D-UA-844-0-0	844 POWER CONTROL	1	1														
32		CORD EXTENSION 25 FT #1202980 CORD EXTENSION 9 FT #1201265	1	1														
33	C-AD-7005128-0-0	POWER CORD 25 FT.	1	1														
34	D-MA-728-0-1	POWER SUPPLY TYPE 728	2															
35	B-MD-5111	CHASSIS "C" SIZE (7402035)	1	1														
36	B-MD-5111	CHASSIS "D" SIZE (7402036)	3	3														
37	B-MD-5111	CHASSIS "A" SIZE (7402033)	1	1														
38	D-IA-7005459-5-0	W012 TO W0250 (37" LG.)	2	2														
39	D-IA-7005459-4-0	W012 TO W0250 (34" LG.)	4	4														
40	B-DC-7406496-0-0	DECAL (TM10A)	1															
41	B-DC-7406499-0-0	DECAL (TM10B)		1														
	SEE ML	MODULE UTILIZATION PARTS LIST																
MADE BY K. E. WHITE		DATE 8/21/67	TITLE MAG-TAPE CONTROL										DRWG. NO. A-PL-TM10-0-0		REV. LTR.			
CHECKED <i>[Signature]</i>		DATE 11-20-67	FOR										ASSY NO D-UA-TM10-0-0		SHEET 3 OF 4			
ENG <i>[Signature]</i>		DATE 11/20/67	TM10-A-0 60 Hz TM10-B-0 50 Hz												H			

(6)

G

DIGITAL EQUIPMENT CORPORATION MAYNARD, MASSACHUSETTS			QUANTITY										REVISIONS				
PARTS LIST			TM10-A-0	TM10-B-0											CHANGE NO.	DATE	ENG.
ITEM NO.	DWG. NO.	DESCRIPTION															
42	D-IA-7005459-7-0	W012 TO W250 (42½" LG)	2	2													
REF	C-AD-7006148-0-0	CABLE SET TM10	-	-													
43	9006902	4 PLACE JONES STRIP	1	1													
44	9007131	JONES STRIP JUMPER	2	2													
45	9107370-00	#14 AWG STRD TEF BLK	A/R	A/R													
46	9107370-22	#14 AWG STRD TEF RED	A/R	A/R													
47	9107370-33	#14 AWG STRD TEF ORN	A/R	A/R													
48	9107370-55	#14 AWG STRD TEF GRN	A/R	A/R													
49	9107370-66	#14 AWG STRD TEF BLU	A/R	A/R													
50	9107370-11	#14 AWG STRD TEF BRN	A/R	A/R													
51	9107440-29	#14 AWG STRD TEF TWP RED/WHT	A/R	A/R													
52	9107440-09	#14 AWG STRD TEF TWP BLK/WHT	A/R	A/R													
MADE BY		DATE	TITLE										DRWG. NO.		REV. LTR.		
CHECKED		DATE	MAG TAPE CONTROL										A-PL- TM10-0-0		H		
ENG		DATE	FOR TM10-A-0 60 HZ TM10-B-0 50 HZ										ASSY NO D-UA-TM10-0-0			SHEET 4 OF 4	

(7)

This drawing and specifications, herein, are the property of Digital Equipment Corporation and shall not be reproduced or copied or used in whole or in part as the basis for the manufacture or sale of items without written permission.

PARTS LIST ITEM NO.	MARK END	CONN TYPE	TO	CONN TYPE	MARK END	LENGTH	PART NO./ DWG NO.
18	Z30	W250	—	WO12	A29	30-1/2	7005459-3
18	Z31	↑	—	↑	A32	30-1/2	↑ -3
39	Z32	↑	—	↑	B29	34	-4
39	Z33	↑	—	↑	B32	34	-4
18	Z20	↑	—	↑	A28	30-1/2	-3
18	Z21	↑	—	↑	A31	30-1/2	-3
39	Z22	↑	—	↑	B28	34	-4
39	Z23	↑	—	↑	B31	34	-4
38	Z10	↑	—	↑	A27	37	-5
38	Z11	↑	—	↑	A30	37	-5
42	Z12	↓	—	↓	B27	42-1/2	↓ -7
42	Z13	W250	—	WO12	B30	42-1/2	7005459-7

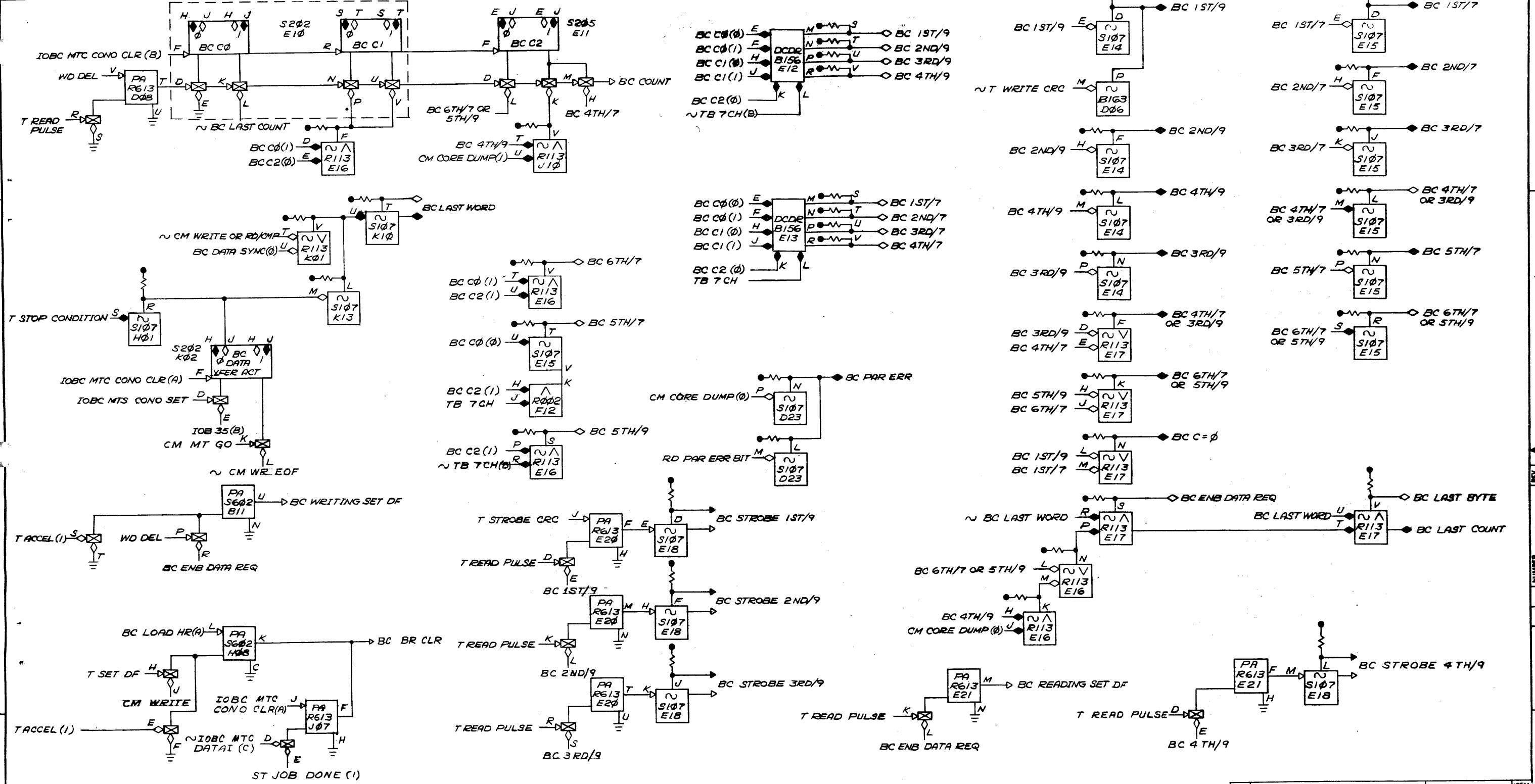
REVISIONS	CHANGE NO.	REV.
CHK	ORIGINATED	TMIO 0005

FIRST USED ON OPT/MOD TMIO		QTY.	DESCRIPTION	PART NO.	ITEM NO.
UNLESS OTHERWISE SPECIFIED		PARTS LIST			
UNLESS OTHERWISE SPECIFIED		DRN. <i>P. J. B. (and)</i>	DATE <i>1-13-69</i>	digital EQUIPMENT CORPORATION MAYNARD, MASSACHUSETTS	
DIMENSION IN INCHES		CHK'D. <i>M. B. (and)</i>	DATE <i>1-14-69</i>	TITLE	
TOLERANCES		ENG. <i>A. Gross</i>	DATE <i>1/15/69</i>	CABLE SET TMIO	
DECIMALS ± .005		PROJ. ENG. <i>A. Gross</i>	DATE <i>1/15/69</i>	SIZE CODE	
FRACTIONS ± 1/64		PROD. <i>A. Gross</i>	DATE <i>1/14/69</i>	NUMBER	
ANGLES ± 0°30'		MATERIAL <i>WET WASH ASSY</i>	SCALE <i>1" = 1"</i>	REV.	
FINAL SURFACE QUALITY REMOVE BURRS AND BREAK SHARP CORNERS		D-UA-TMIO-0-0	SHEET <i>1</i> OF <i>1</i>	C AD 7006148-0-0	
DIST.					

REV. NUMBER
C AD 7006148-0-0

This drawing and specifications, herein, are the property of Digital Equipment Corporation and shall not be reproduced or copied or used in whole or in part as the basis for the manufacture or sale of items without written permission.

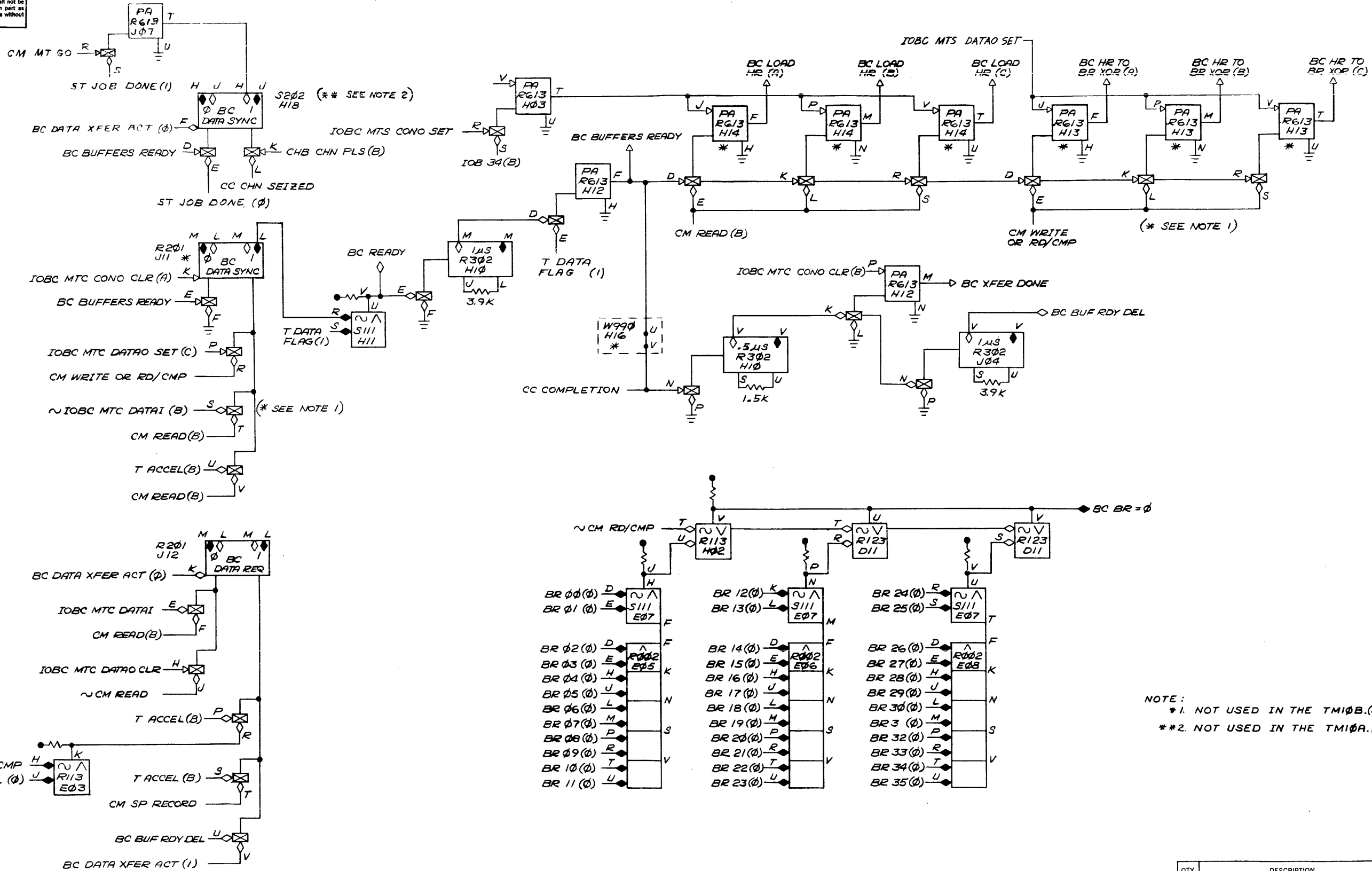
NOTE:
BC 0 IS LOW ORDER BIT



REV.	CHANGE NO.	REV.
1	1	A
2	2	A
3	3	A
4	4	A
5	5	A
6	6	A
7	7	A
8	8	A
9	9	A

QTY.	DESCRIPTION	PART NO.	ITEM NO.
PARTS LIST			
DO NOT SCALE DRAWING UNLESS OTHERWISE SPECIFIED DIMENSION IN INCHES TOLERANCES DECIMALS FRACTIONS ANGLES ±.005 ± 1/64 ± 0°30' FINAL SURFACE QUALITY REMOVE BURRS AND BREAK SHARP CORNERS			
DRN: <i>Stephenson</i> CHN'D: <i>Stephenson</i> ENG: <i>Stephenson</i> PROJ ENG: <i>Stephenson</i> PROD: <i>Stephenson</i>		DATE: 5/22/67 DATE: 5/22/67 DATE: 5/22/67 DATE: 5/22/67 DATE: 5-22-68	
MATERIAL		FIRST USED ON	
FINISH		SCALE	
SHEET		OF	
EQUIPMENT CORPORATION MAYNARD, MASSACHUSETTS		TITLE BUFFER CONTROL	
NUMBER D-BS-TM10-0-BCI		REV. A	

This drawing and specifications, herein, are the property of Digital Equipment Corporation and shall not be reproduced or copied or used in whole or in part as the basis for the manufacture or sale of items without written permission.



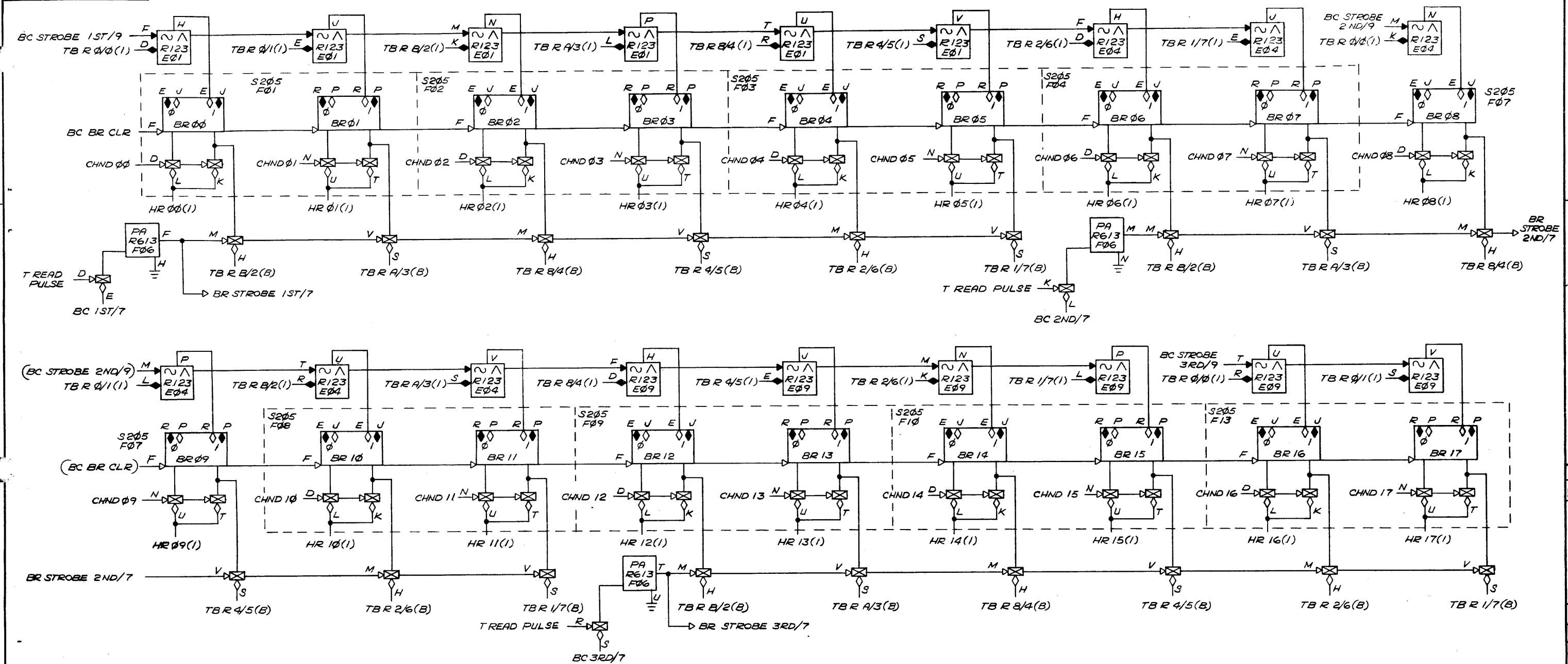
NOTE:
 *1. NOT USED IN THE TM10B. (J11, H13, H14 & H16)
 **2. NOT USED IN THE TM10A. (H18)

REV.	CHANGE NO.	DATE
1	1	8-21-68
2	2	8-22-68

QTY.	DESCRIPTION	PART NO.	ITEM NO.
PARTS LIST			
<small>DO NOT SCALE DRAWING</small> <small>UNLESS OTHERWISE SPECIFIED</small> <small>DIMENSION IN INCHES</small> <small>TOLERANCES</small> <small>DECIMALS FRACTIONS ANGLES</small> <small>±.005 ±.005 ±.005 ±.005 ±.005 ±.005 ±.005 ±.005 ±.005 ±.005 ±.005 ±.005 ±.005 ±.005 ±.005 ±.005 ±.005 ±.005 ±.005 ±.005</small> <small>FINAL SURFACE QUALITY REMOVE BURRS AND BREAK SHARP CORNERS</small>			digital <small>EQUIPMENT CORPORATION</small> <small>MAYNARD, MASSACHUSETTS</small>
<small>DRN</small> <i>A. Stephenson</i> <small>CHK'D</small> <i>A. Stephenson</i> <small>ENG</small> <i>A. Stephenson</i> <small>PROJ. ENGR.</small> <i>A. Stephenson</i> <small>PROD. MGR.</small> <i>A. Stephenson</i>			BUFFER CONTROL
<small>DATE</small> 7/27/67 <small>DATE</small> 8-22-68 <small>DATE</small> 8/22/68 <small>DATE</small> 5/22/68 <small>DATE</small> 5-22-68			<small>NUMBER</small> D-BS-TM10-0-BC2 <small>REV</small> A
<small>MATERIAL</small> <small>FINISH</small>		<small>SCALE</small> <small>SHEET</small>	<small>DIST.</small>

NUMBER D-BS-TM10-0-BC2 REV. A

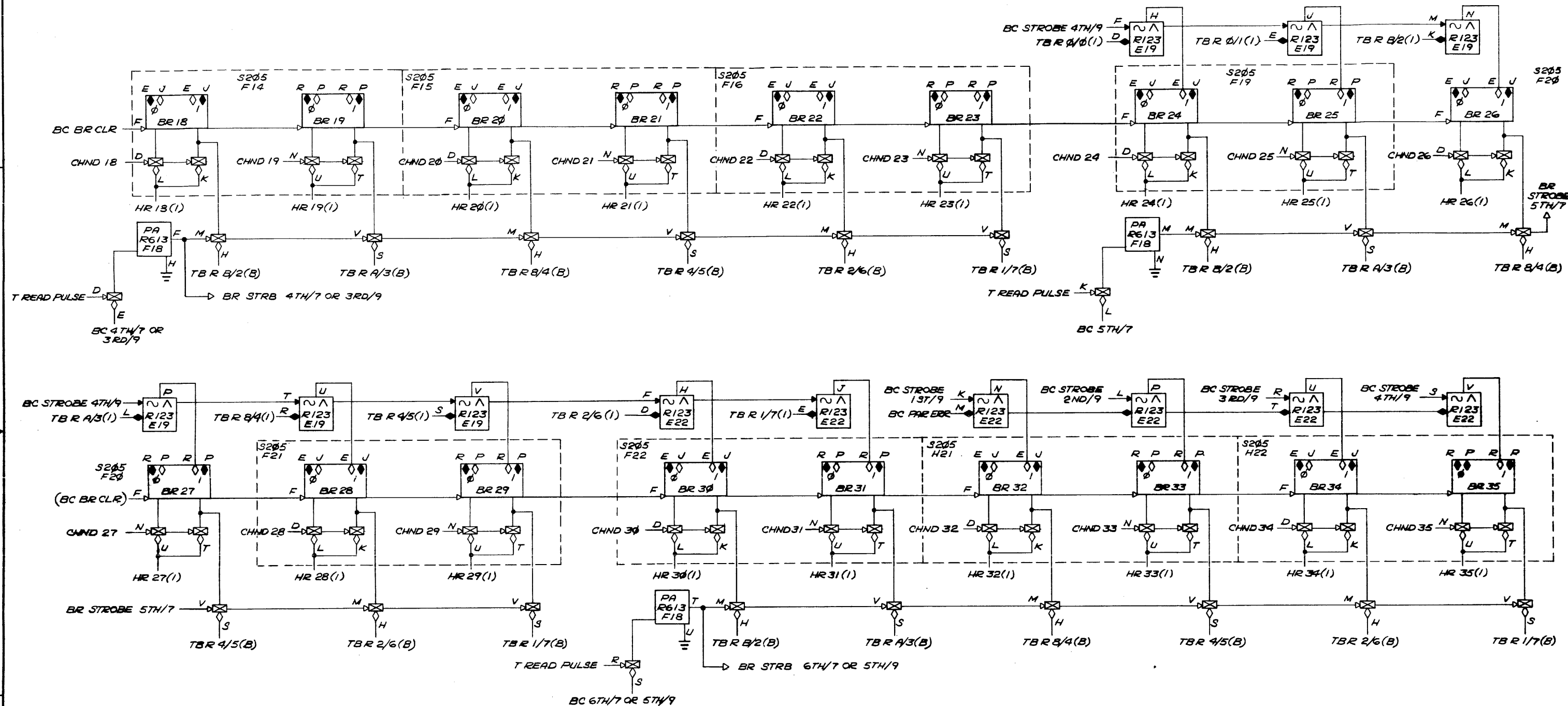
This drawing and specifications, herein, are the property of Digital Equipment Corporation and shall not be reproduced or copied or used in whole or in part as the basis for the manufacture or sale of items without written permission.



REV.	CHANGE NO.	REV.
CHK		

DO NOT SCALE DRAWING		DRN	DATE	digital EQUIPMENT CORPORATION MAYNARD, MASSACHUSETTS
UNLESS OTHERWISE SPECIFIED DIMENSION IN INCHES		CHK'D	DATE	
TOLERANCES		ENG.	DATE	TITLE BUFFER REGISTER
DECIMALS FRACTIONS ANGLES		PROJ. ENG.	DATE	
= .005 = 1/64 = 0°30'		PROD.	DATE	NUMBER D-BS-TM10-0-BRI
FINAL SURFACE QUALITY REMOVE BURRS AND BREAK SHARP CORNERS		FIRST USED ON		
MATERIAL		SCALE	OF	REV
FINISH		SHEET		DIST.

This drawing and specifications, herein, are the property of Digital Equipment Corporation and shall not be reproduced or copied or used in whole or in part as the basis for the manufacture or sale of items without written permission.



REV.	
CHG.	
CHK.	
REVISIONS	
CHANGE NO.	

QTY.	DESCRIPTION	PART NO.	ITEM NO.
PARTS LIST			
DO NOT SCALE DRAWING		DRN. <i>A. Stephenson</i>	DATE <i>10/2/67</i>
UNLESS OTHERWISE SPECIFIED		CHK'D. <i>W. Puffer</i>	DATE <i>5-22-68</i>
DIMENSION IN INCHES		ENG. <i>D. Gross</i>	DATE <i>5/12/69</i>
TOLERANCES		PROJ. ENG. <i>D. Gross</i>	DATE <i>5/22/68</i>
DECIMALS FRACTIONS ANGLES		PROD. <i>A. Stephenson</i>	DATE <i>5-22-68</i>
± .005 ± 1/64 ± 0°30'		FIRST USED ON	
FINAL SURFACE QUALITY			
REMOVE BURRS AND BREAK SHARP CORNERS			
MATERIAL			
FINISH			
SCALE		NUMBER	
SHEET OF		D-BS-TMI0-0-BR2	
		REV. 1	

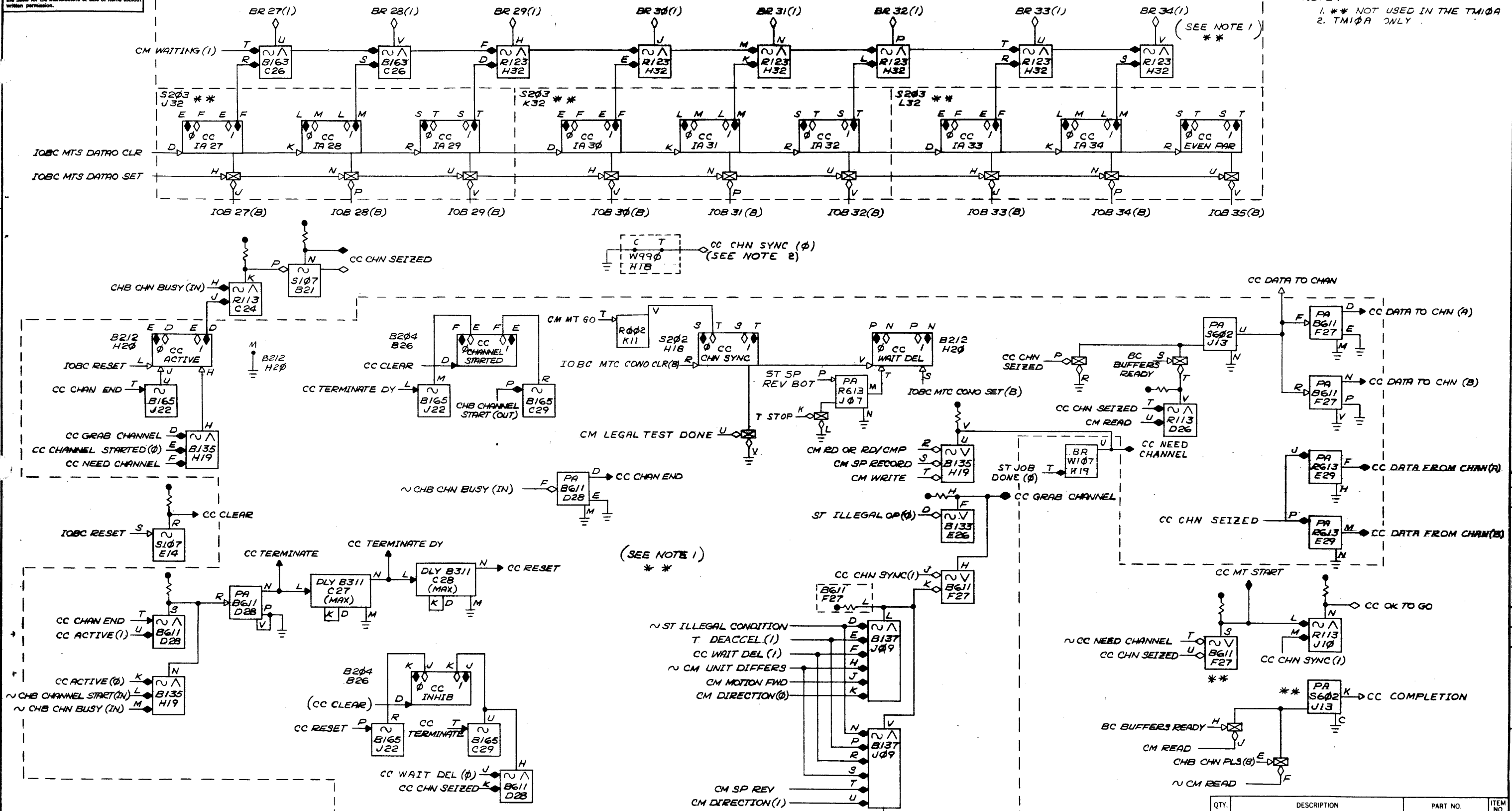
digital EQUIPMENT CORPORATION
MAYNARD, MASSACHUSETTS

BUFFER REGISTER

DIST. _____

This drawing and specifications, herein, are the property of Digital Equipment Corporation and shall not be reproduced or copied in whole or in part as the basis for the manufacture or sale of items without written permission.

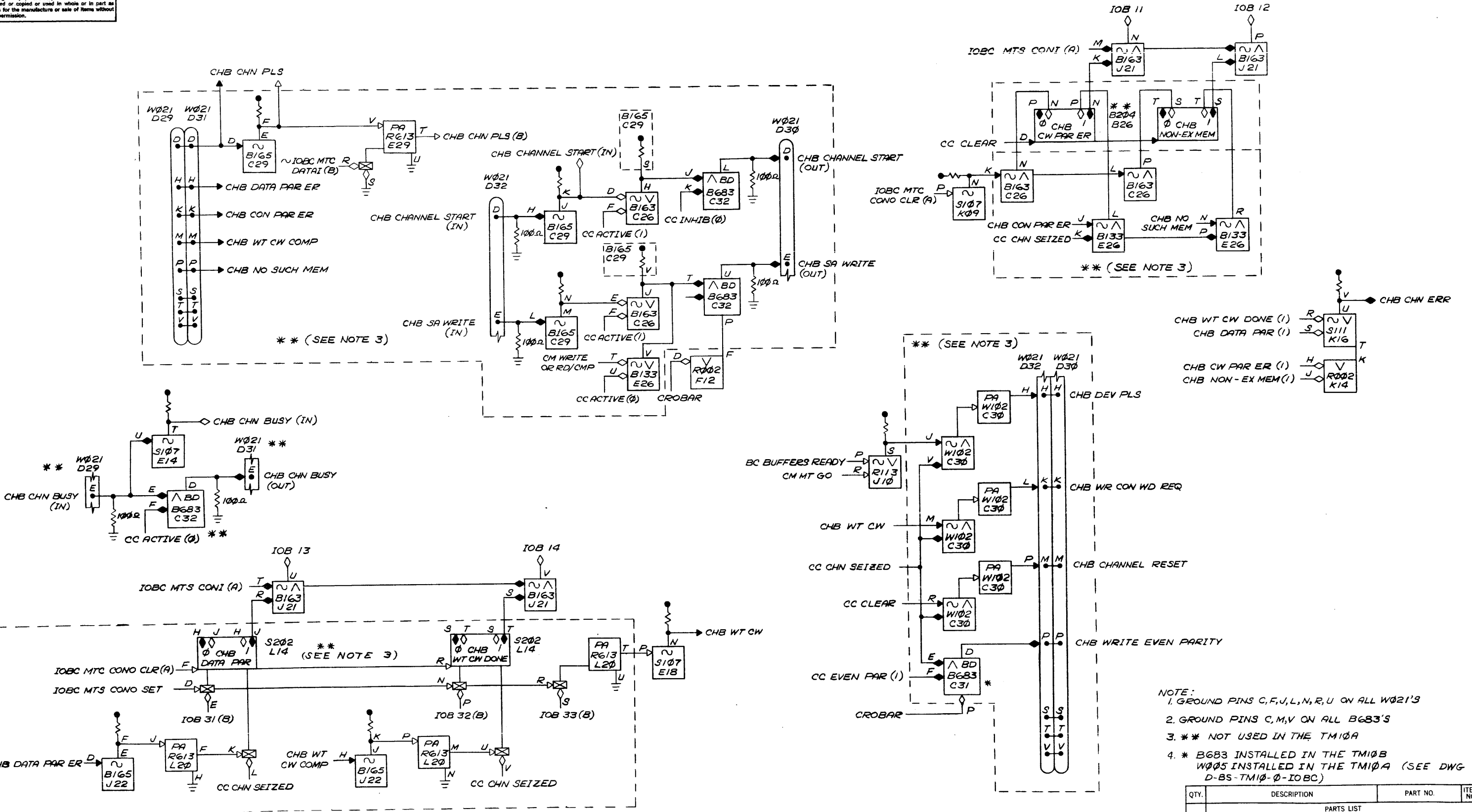
NOTE:
1. ** NOT USED IN THE TM10A
2. TM10A ONLY



REV.	CHANGE NO.	REV.
3	1	A
TMI0A-0004 GROSS 1/16/68		

QTY.	DESCRIPTION	PART NO.	ITEM NO.
PARTS LIST			
DO NOT SCALE DRAWING			
UNLESS OTHERWISE SPECIFIED			
DIMENSION IN INCHES			
TOLERANCES			
DECIMALS FRACTIONS ANGLES			
± .005 ± .002 ± .030			
FINAL SURFACE QUALITY			
REMOVE BURRS AND BREAK SHARP CORNERS			
MATERIAL	FIRST USED ON	TITLE	
		CHANNEL CONTROL	
FINISH	SCALE	NUMBER	REV.
		D-BS-TM10-0-CC	A
SHEET OF		DIST.	

This drawing and specifications, herein, are the property of Digital Equipment Corporation and shall not be reproduced or copied in whole or in part as the basis for the manufacture or sale of items without written permission.

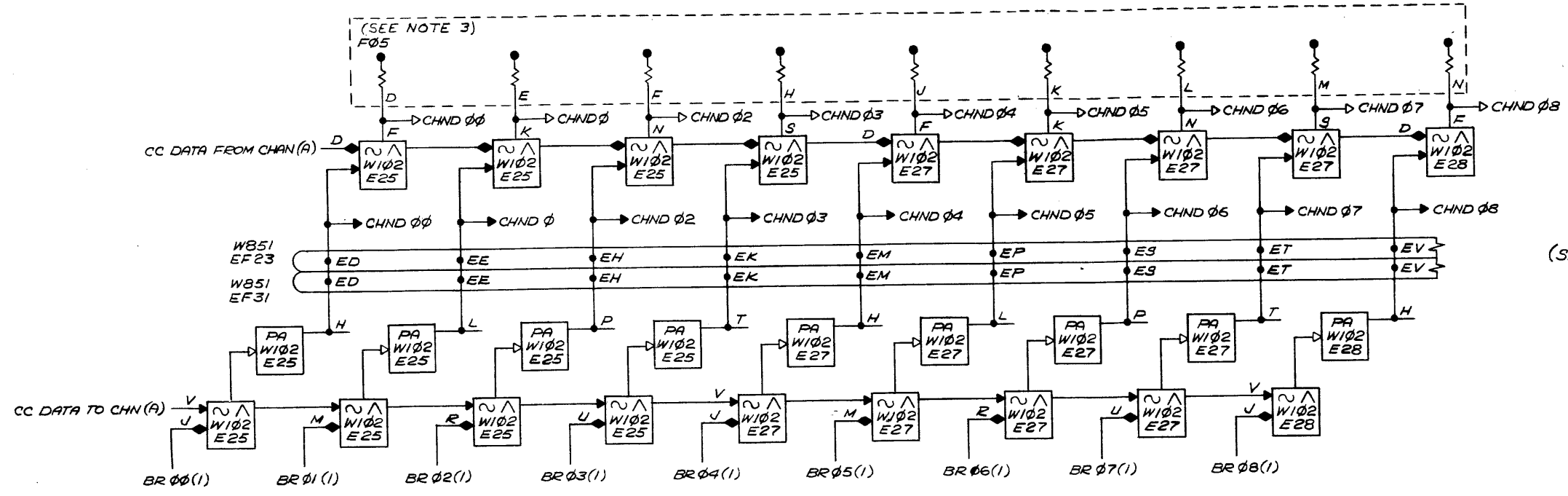


NOTE:
 1. GROUND PINS C, F, U, L, N, R, U ON ALL W021'S
 2. GROUND PINS C, M, V ON ALL B683'S
 3. ** NOT USED IN THE TM10A
 4. * B683 INSTALLED IN THE TM10B
 W005 INSTALLED IN THE TM10A (SEE DWG
 D-BS-TM10-0-IOBC)

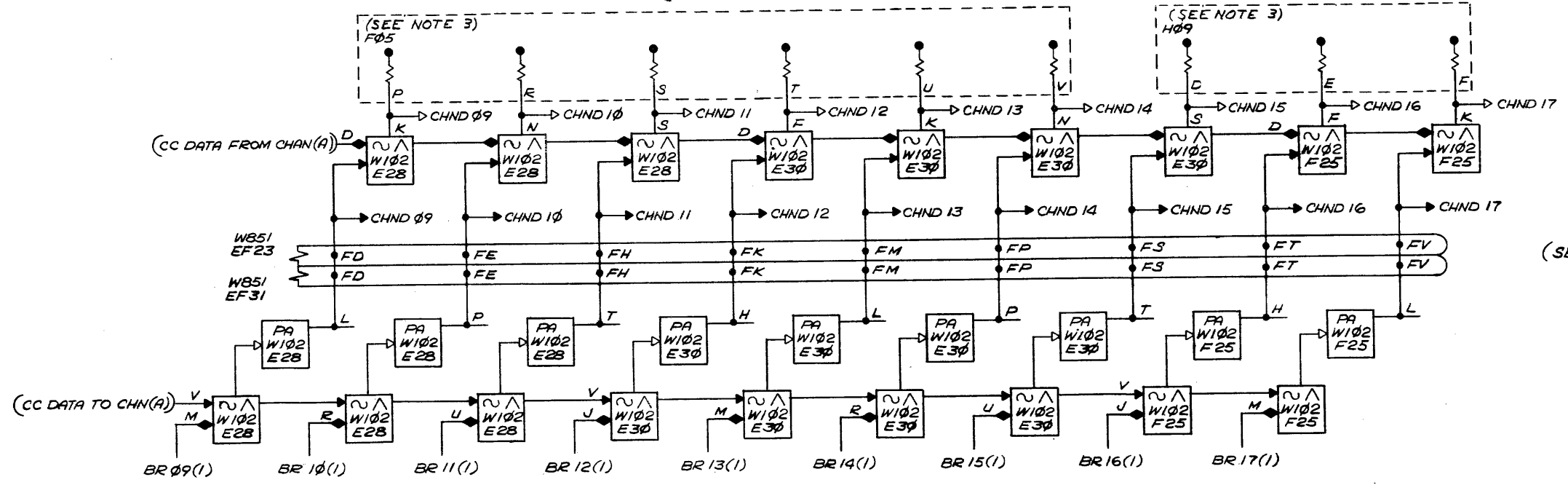
QTY.	DESCRIPTION	PART NO.	ITEM NO.
	PARTS LIST		
	digital EQUIPMENT CORPORATION MAYNARD, MASSACHUSETTS		
	TITLE CHANNEL BUS LOGIC SIGNALS		
	NUMBER D-BS-TM10-0-CHB		
	SCALE	SHEET	OF
		DIST.	

REV.	
CHG.	
NO.	

This drawing and specifications, herein, are the property of Digital Equipment Corporation and shall not be reproduced or copied or used in whole or in part as the basis for the manufacture or sale of items without written permission.



(SEE NOTE 2)



(SEE NOTE 2)

- NOTE:
1. GROUND PINS C,F,U,L,N,R,U ON ALL WB51'S
 2. ALL W102'S AND WB51'S ON THIS DWG. ARE NOT USED IN THE TM10A
 3. W005 IN TM10B, W002 IN TM10A.

REVISIONS	REV.
CHANGE NO.	
CHK	

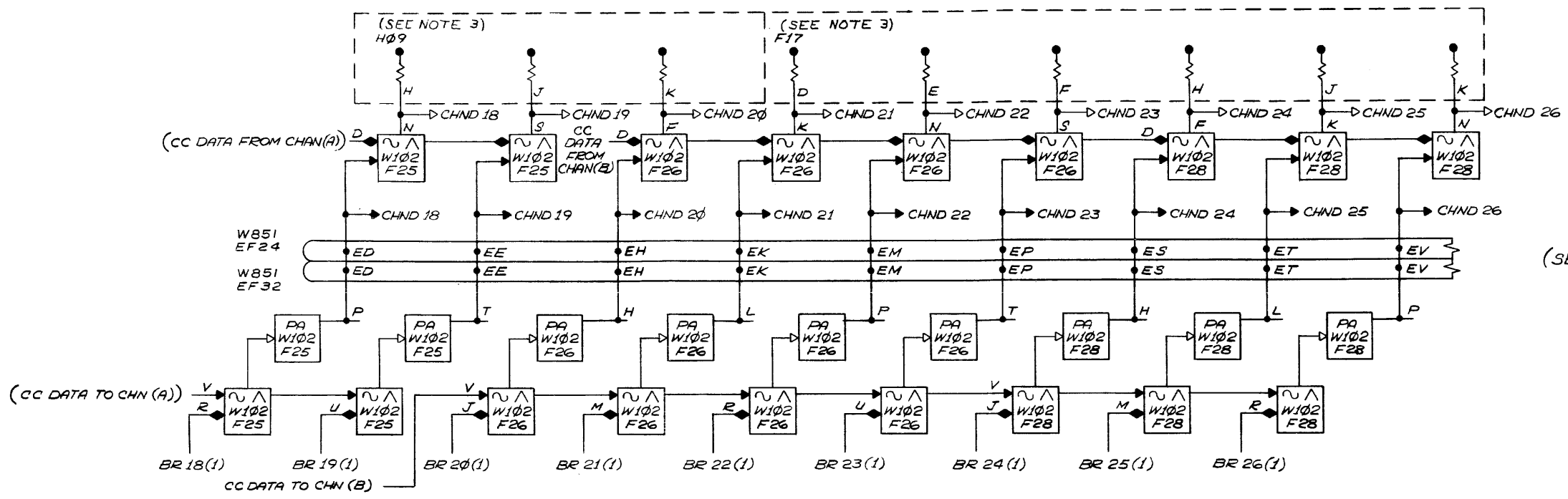
QTY.	DESCRIPTION	PART NO.	ITEM NO.
PARTS LIST			
DO NOT SCALE DRAWING		DRN	DATE
UNLESS OTHERWISE SPECIFIED		CHKD	DATE
DIMENSION IN INCHES		ENG	DATE
TOLERANCES		PROJ. ENG	DATE
DECIMALS	FRACTIONS	ANGLES	DATE
= .005	= 1/64	= 0°30'	
FINAL SURFACE QUALITY		PROD.	DATE
REMOVE BURRS AND BREAK SHARP CORNERS			
MATERIAL		FIRST USED ON	
FINISH		SCALE	
		SHEET	OF
		NUMBER	
		D-BS-TM10-0-CHND1	
		REV.	

digital EQUIPMENT CORPORATION
MAYNARD, MASSACHUSETTS

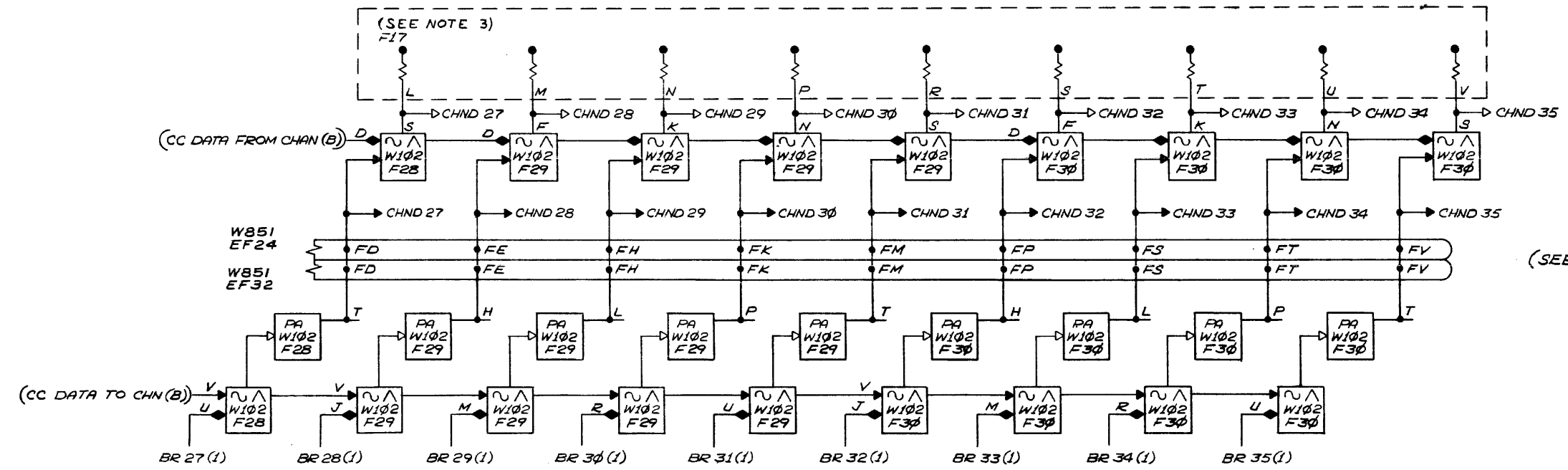
CHANNEL DATA INTERFACE

NUMBER
D-BS-TM10-0-CHND1

This drawing and specifications, herein, are the property of Digital Equipment Corporation and shall not be reproduced or copied or used in whole or in part as the basis for the manufacture or sale of items without written permission.



(SEE NOTE 2)



(SEE NOTE 2)

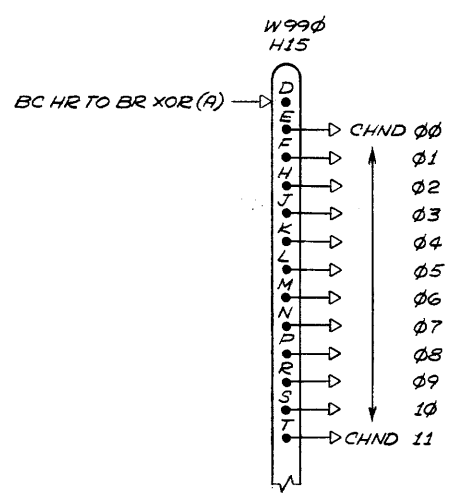
- NOTE:
1. GROUND PINS C,F,J,L,N,R,U ON ALL W851'S
 2. ALL W102'S & W851'S ON THIS DWG. ARE NOT USED IN THE TMI0A
 3. W005 IN TMI0B, W002 IN TMI0A.

QTY.	DESCRIPTION	PART NO.	ITEM NO.																								
PARTS LIST																											
<table border="1"> <tr> <td>DO NOT SCALE DRAWING</td> <td>DRN: <i>St. Johnson</i></td> <td>DATE: 10/17/67</td> </tr> <tr> <td>UNLESS OTHERWISE SPECIFIED</td> <td>CHKD.:</td> <td>DATE: 5-21-68</td> </tr> <tr> <td>DIMENSION IN INCHES</td> <td>ENG.:</td> <td>DATE: 5-21-68</td> </tr> <tr> <td>TOLERANCES</td> <td>PROJ. ENG.:</td> <td>DATE: 5-21-68</td> </tr> <tr> <td>DECIMALS FRACTIONS ANGLES</td> <td>PROD.:</td> <td>DATE: 7-27-68</td> </tr> <tr> <td>= .005 = 1/64 = 0°30'</td> <td>FIRST USED ON:</td> <td></td> </tr> <tr> <td>FINAL SURFACE QUALITY /</td> <td></td> <td></td> </tr> <tr> <td>REMOVE BURRS AND BREAK SHARP CORNERS</td> <td></td> <td></td> </tr> </table>				DO NOT SCALE DRAWING	DRN: <i>St. Johnson</i>	DATE: 10/17/67	UNLESS OTHERWISE SPECIFIED	CHKD.:	DATE: 5-21-68	DIMENSION IN INCHES	ENG.:	DATE: 5-21-68	TOLERANCES	PROJ. ENG.:	DATE: 5-21-68	DECIMALS FRACTIONS ANGLES	PROD.:	DATE: 7-27-68	= .005 = 1/64 = 0°30'	FIRST USED ON:		FINAL SURFACE QUALITY /			REMOVE BURRS AND BREAK SHARP CORNERS		
DO NOT SCALE DRAWING	DRN: <i>St. Johnson</i>	DATE: 10/17/67																									
UNLESS OTHERWISE SPECIFIED	CHKD.:	DATE: 5-21-68																									
DIMENSION IN INCHES	ENG.:	DATE: 5-21-68																									
TOLERANCES	PROJ. ENG.:	DATE: 5-21-68																									
DECIMALS FRACTIONS ANGLES	PROD.:	DATE: 7-27-68																									
= .005 = 1/64 = 0°30'	FIRST USED ON:																										
FINAL SURFACE QUALITY /																											
REMOVE BURRS AND BREAK SHARP CORNERS																											
		digital EQUIPMENT CORPORATION MAYNARD, MASSACHUSETTS																									
TITLE: CHANNEL DATA INTERFACE																											
FINISH		NUMBER																									
SCALE		D-BS-TMI0-0-CHND 2																									
SHEET OF		REV.																									

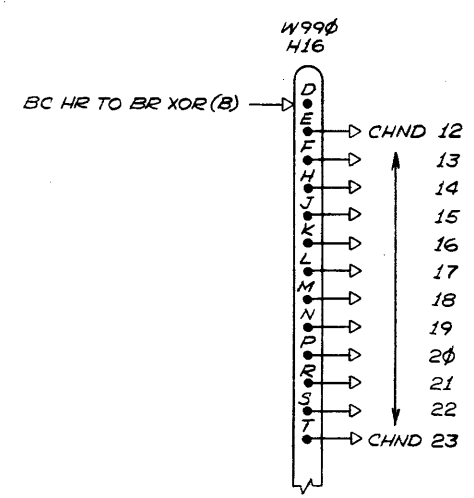
REV.	
CHG	
NO.	

NUMBER D-BS-TMI0-0-CHND 2

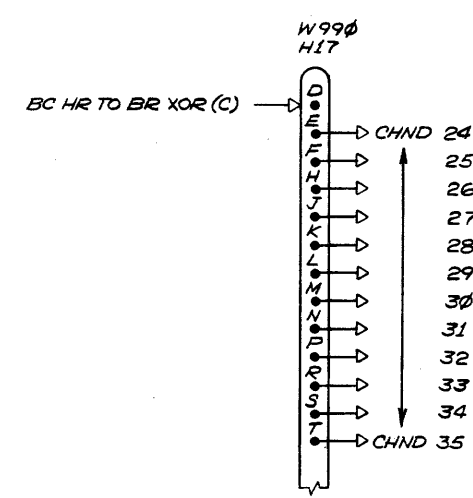
This drawing and specifications, herein, are the property of Digital Equipment Corporation and shall not be reproduced or copied or used in whole or in part as the basis for the manufacture or sale of items without written permission.



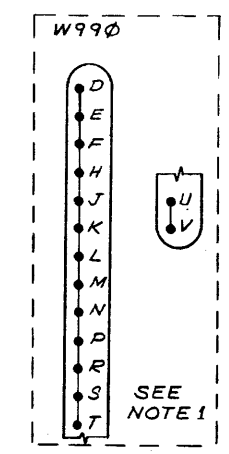
SEE NOTE 2



SEE NOTE 2



SEE NOTE 2

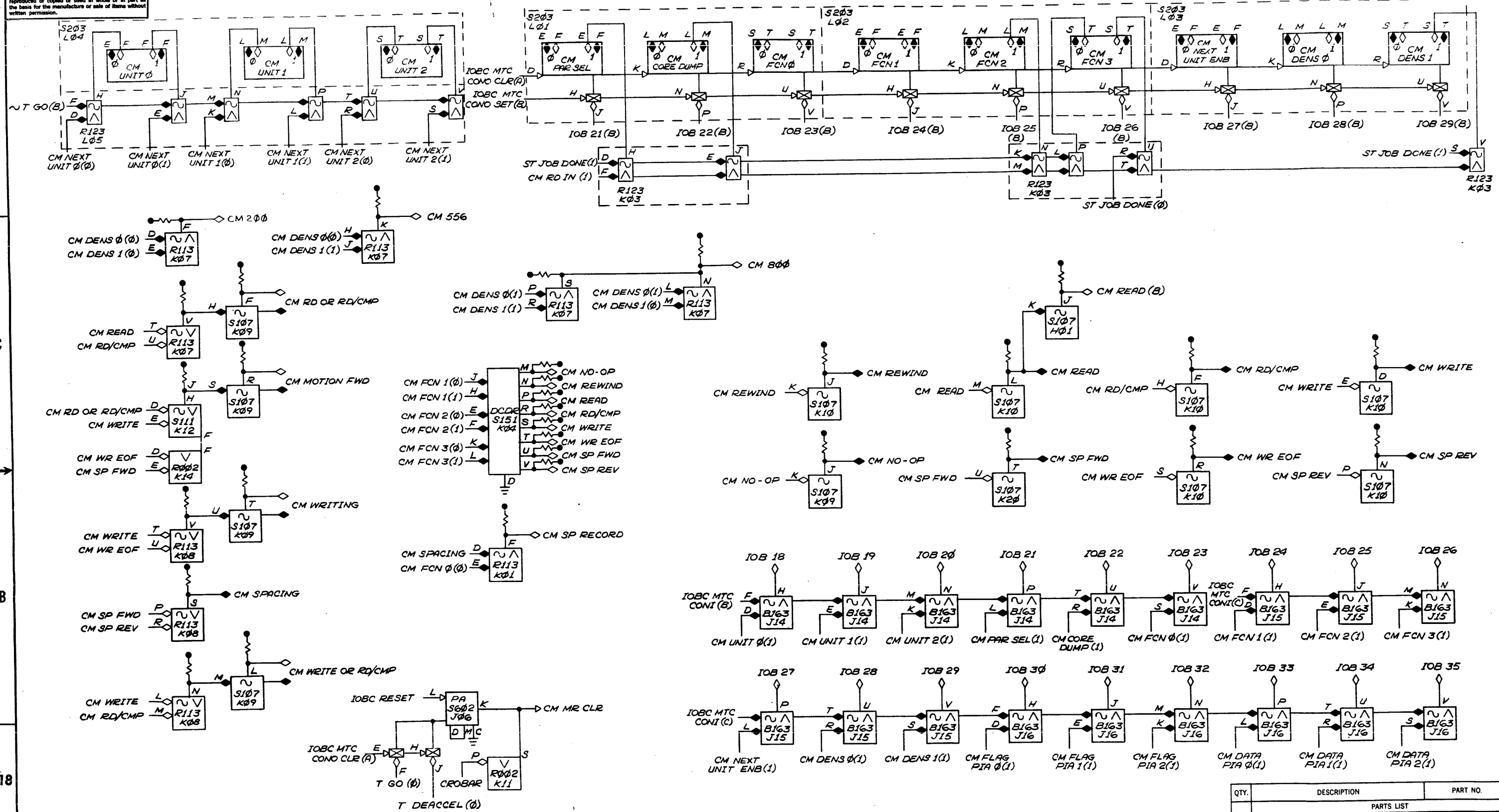


NOTE:
 1. ALL W990'S HAVE JUMPERS WIRED AS SHOWN.
 2. THESE MODULES ARE INSERTED FOR TM10A ONLY AND NOT FOR TM10B.

REV.	
CHANGE NO.	
CHK	

DO NOT SCALE DRAWING	DRN	DATE	PARTS LIST	
UNLESS OTHERWISE SPECIFIED	<i>N. Stephenson</i>	<i>12/21/67</i>		
DIMENSION IN INCHES	CHK'D	DATE		
TOLERANCES	<i>W. Ruffner</i>	<i>5-22-68</i>	TITLE	
DECIMALS FRACTIONS ANGLES	ENG.	DATE	CHANNEL DATA	
± .005 ± 1/64 ± 0°30'	<i>D. Gross</i>	<i>5/22/68</i>		
FINAL SURFACE QUALITY	PROJ. ENG.	DATE	NUMBER	
REMOVE BURRS AND BREAK SHARP CORNERS	<i>D. Gross</i>	<i>5/22/68</i>	D-BS-TM10-0-CHND 3	
MATERIAL	PROD.	DATE	REV.	
FIRST USED ON	<i>M. Kubota</i>	<i>5-22-68</i>		
FINISH	SCALE	SHEET	OF	DIST.
		2	OF	

This drawing and specifications, herein, are the property of Digital Equipment Corporation and shall not be reproduced or copied or used in whole or in part as the basis for the manufacture or sale of items without written permission.

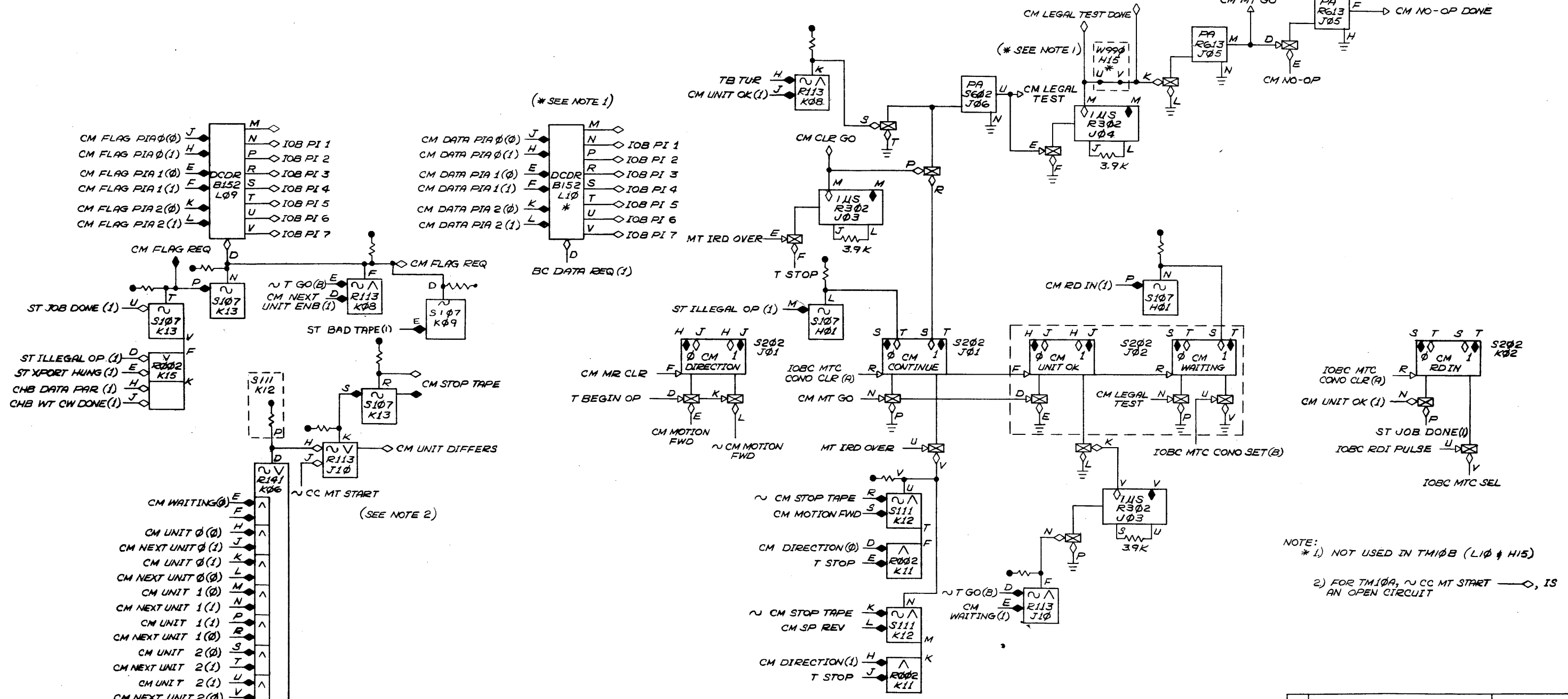
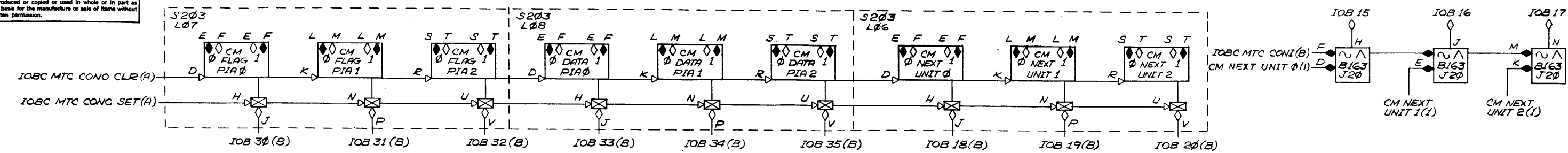


REV.	CHANGE NO.	DATE
1	1-6-71	1/26/71
2	1-6-71	
3	1-6-71	

DO NOT SCALE DRAWING		DRN: <i>[Signature]</i>	DATE: 8/23/67
UNLESS OTHERWISE SPECIFIED DIMENSION IN INCHES		CHKD: <i>[Signature]</i>	DATE: 5-22-68
TOLERANCES		ENG: <i>[Signature]</i>	DATE: 5/22/68
DECIMALS FRACTIONS ANGLES		PROJ. ENG: <i>[Signature]</i>	DATE: 5/23/68
± .005 ± 1/64 ± 0°30'		PROD: <i>[Signature]</i>	DATE: 5-22-68
FINAL SURFACE QUALITY REMOVE BURRS AND BREAK SHARP CORNERS		FIRST USED ON	
MATERIAL		TITLE	
FINISH		COMMAND	
SCALE		NUMBER	
SHEET 1 OF 1		D-BS-TM10-0-CMI	
DIST.		REV A	

D-BS-TM10-0-CMI

This drawing and specifications, herein, are the property of Digital Equipment Corporation and shall not be reproduced or copied in whole or in part as the basis for the manufacture or sale of items without written permission.

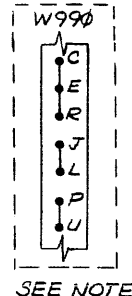
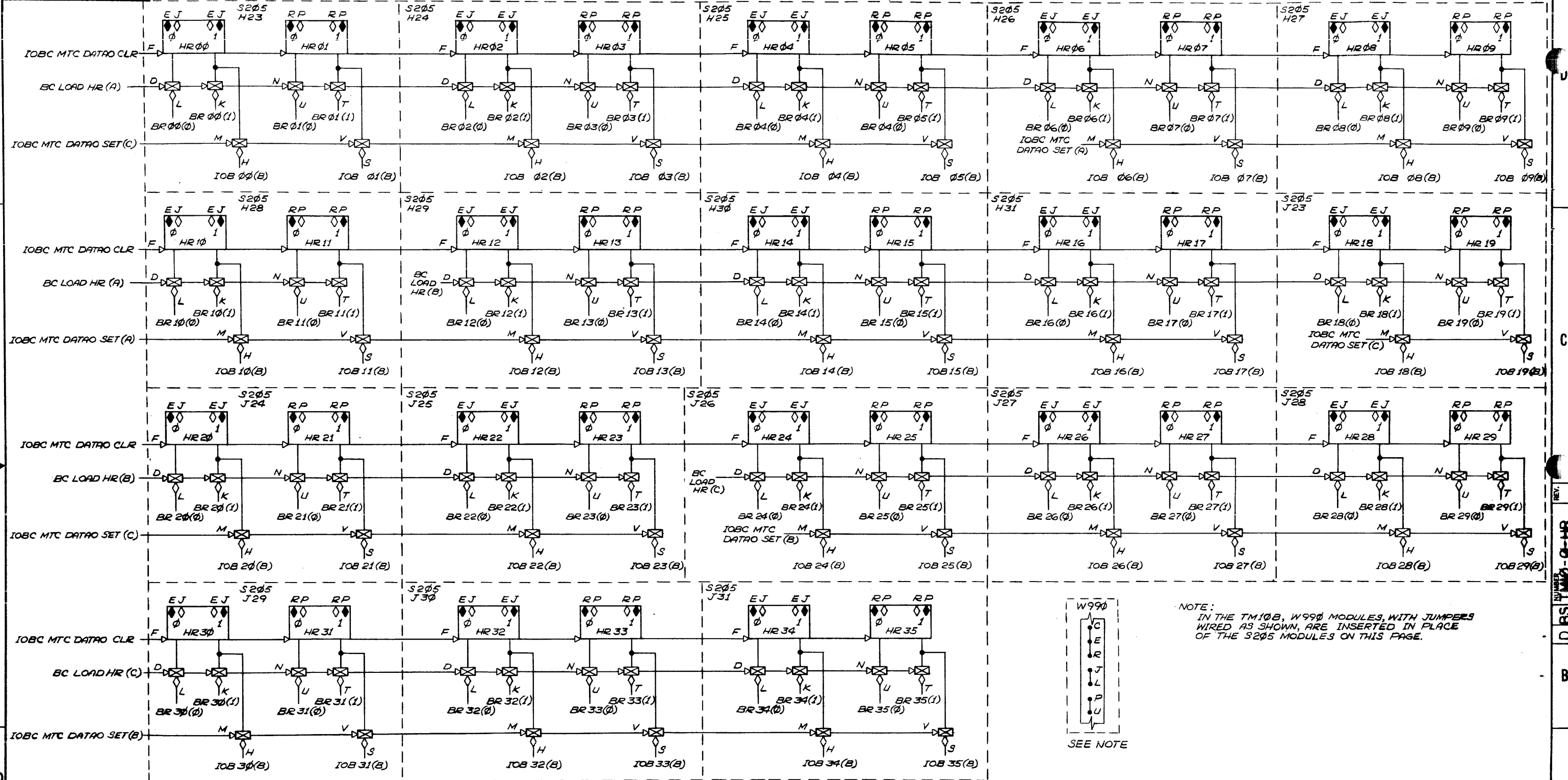


NOTE:
 * 1) NOT USED IN TM1ØB (LIØ & H15)
 2) FOR TM1ØA, ~ CC MT START — Ø, IS AN OPEN CIRCUIT

REV.	CHG.	NO.	DATE
1	EV	10014	5/22/68
2	EV	10014	5/22/68
3	EV	10014	5/22/68

QTY.	DESCRIPTION	PART NO.	ITEM NO.
PARTS LIST			
DO NOT SCALE DRAWING UNLESS OTHERWISE SPECIFIED DIMENSION IN INCHES TOLERANCES DECIMALS FRACTIONS ANGLES = .005 ± .004 = 0°30' FINAL SURFACE QUALITY REMOVE BURRS AND BREAK SHARP CORNERS MATERIAL FINISH			
DRN. <i>St. Stephens</i> DATE 3/7/67 CH'K'D. <i>St. Stephens</i> DATE 5/22/68 ENG. <i>St. Stephens</i> DATE 5/22/68 PROJ. ENG. <i>St. Stephens</i> DATE 5/22/68 PRD. <i>St. Stephens</i> DATE 5/22/68 FIRST USED ON		digital EQUIPMENT CORPORATION MAYNARD MASSACHUSETTS TITLE <h1 style="text-align: center;">COMMAND</h1>	
SCALE SHEET 1 OF 1		NUMBER D-BS-TMIØ-Ø-CM 2 REV. A	

This drawing and specifications, herein, are the property of Digital Equipment Corporation and shall not be reproduced or copied or used in whole or in part as the basis for the manufacture or sale of items without written permission.



NOTE:
IN THE TM10B, W990 MODULES, WITH JUMPEES WIRED AS SHOWN, ARE INSERTED IN PLACE OF THE S205 MODULES ON THIS PAGE.

REV.	CHANGE NO.

DO NOT SCALE DRAWING	DRN	DATE	
UNLESS OTHERWISE SPECIFIED	CHK'D	DATE	
DIMENSION IN INCHES	ENG	DATE	
TOLERANCES	PRJL ENG	DATE	
DECIMALS FRACTIONS ANGLES	PROD	DATE	
= .005 ± 1/64 = 0°30'	FIRST USED ON		
FINAL SURFACE QUALITY 1			
REMOVE BURRS AND BREAK SHARP CORNERS			
MATERIAL			
FINISH			

QTY.	DESCRIPTION	PART NO.	ITEM NO.

PARTS LIST

digital CORPORATION
MAYNARD, MASSACHUSETTS

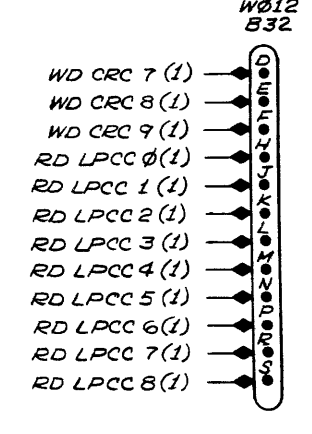
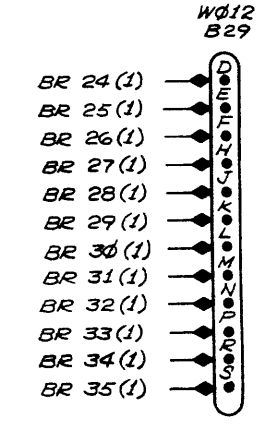
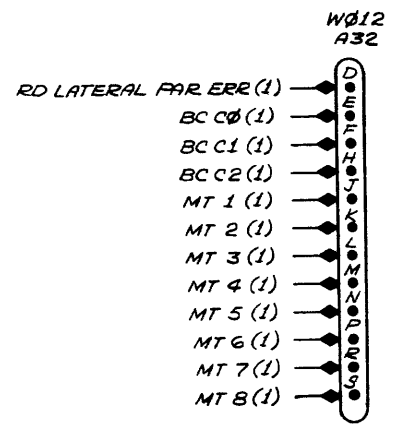
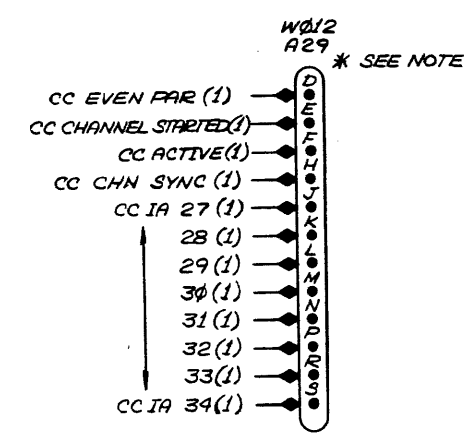
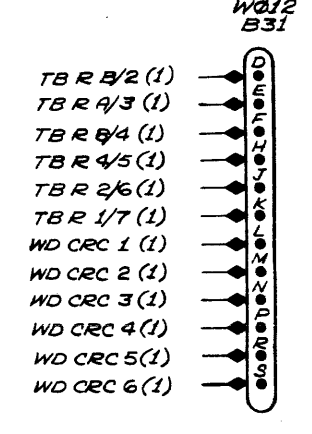
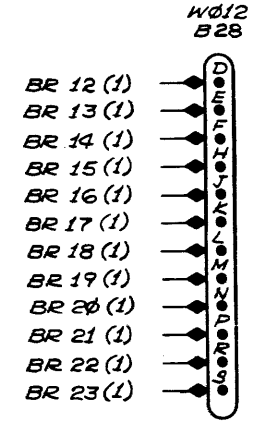
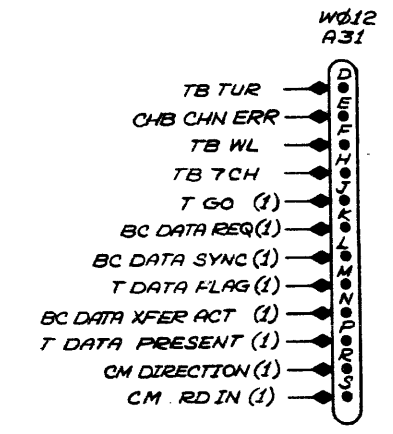
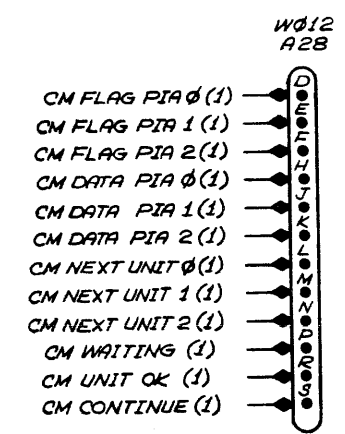
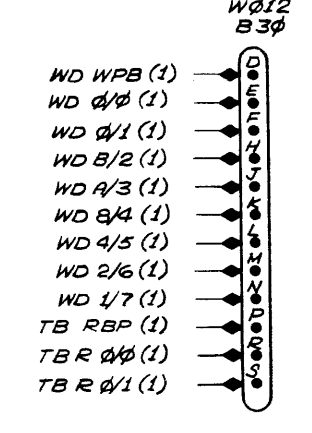
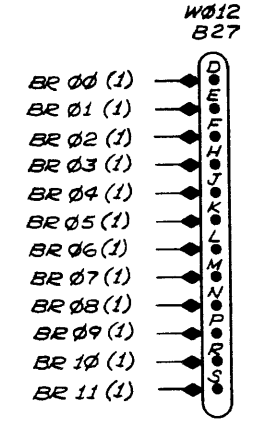
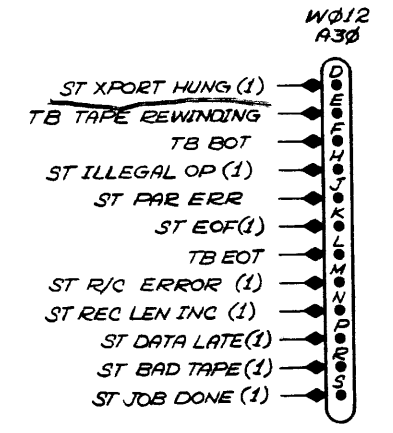
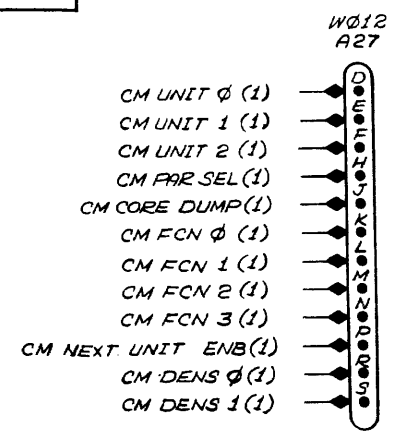
TITLE
HOLD REGISTER

NUMBER
D-BS-TM10-0-HR

SCALE
SHEET OF

DIST.

This drawing and specifications, herein, are the property of Digital Equipment Corporation and shall not be reproduced or copied or used in whole or in part as the basis for the manufacture or sale of items without written permission.



NOTE: GROUND PINS C AND V ON ALL W012'S
 * NOT USED IN THE TMI0A (A29)

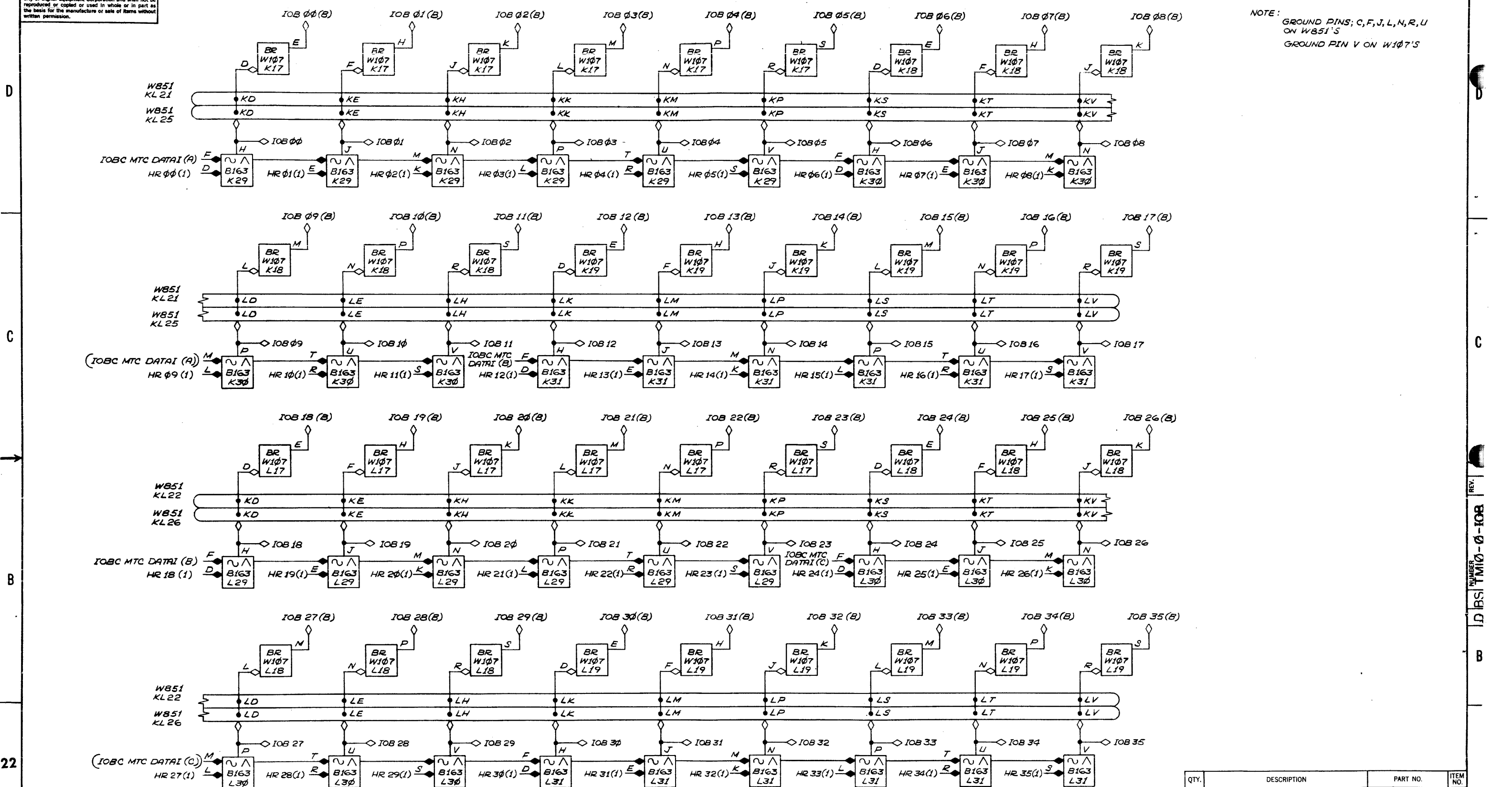
REV.	CHANGE NO.

QTY.	DESCRIPTION	PART NO.	ITEM NO.
PARTS LIST			
DO NOT SCALE DRAWING		DATE 10/9/67	digital EQUIPMENT CORPORATION MAYNARD, MASSACHUSETTS
UNLESS OTHERWISE SPECIFIED DIMENSION IN INCHES		DATE 5-12-68	
TOLERANCES		DATE 5/23/68	
DECIMALS FRACTIONS ANGLES		DATE 5/22/68	
± .005 ± 1/64 ± 0°30'		DATE 5-22-68	TITLE INDICATOR CONNECTORS
FINAL SURFACE QUALITY REMOVE BURRS AND BREAK SHARP CORNERS		DATE 5-22-68	
MATERIAL	FIRST USED ON	NUMBER	
FINISH	SCALE NONE	D-BS-TMI0-0-IND	
SHEET 1 OF 1	DIST.	REV.	

21

This drawing and specifications, herein, are the property of Digital Equipment Corporation and shall not be reproduced or copied or used in whole or in part as the basis for the manufacture or sale of items without written permission.

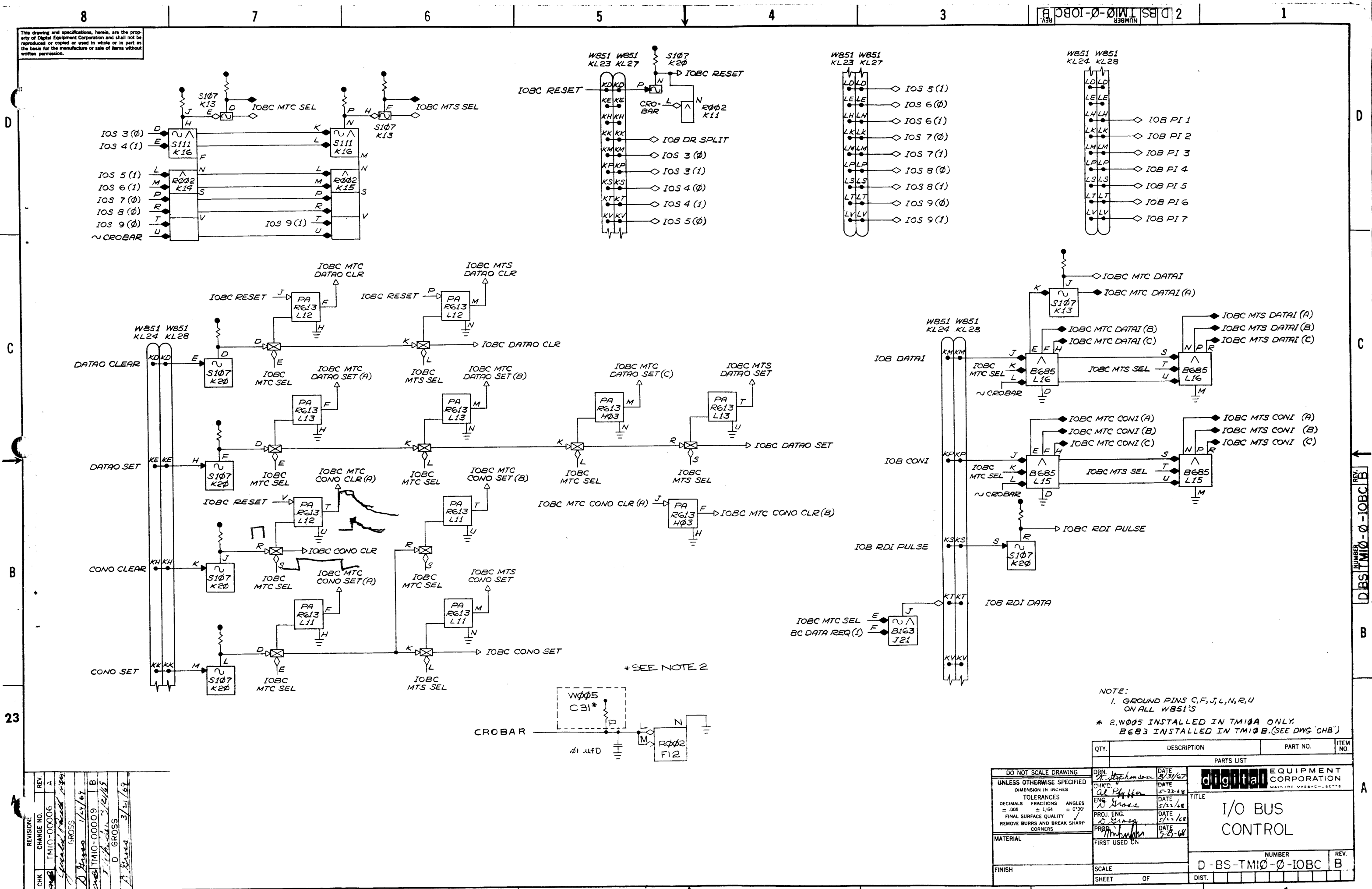
NOTE:
 GROUND PINS; C, F, J, L, N, R, U
 ON WB51'S
 GROUND PIN V ON W1Ø7'S



REV.	CHANGE NO.

QTY.	DESCRIPTION	PART NO.	ITEM NO.
PARTS LIST			
digital EQUIPMENT CORPORATION MAYNARD, MASSACHUSETTS			
TITLE I/O BUS DATA INTERFACE			
NUMBER D-BS-TMIØ-Ø-IOB			
REV.			
SHEET OF			
DIST.			

This drawing and specifications, herein, are the property of Digital Equipment Corporation and shall not be reproduced or copied or used in whole or in part as the basis for the manufacture or sale of items without written permission.



NOTE:
 1. GROUND PINS C, F, J, L, N, R, U
 ON ALL W851'S
 * 2. W005 INSTALLED IN TM10A ONLY.
 B683 INSTALLED IN TM10B. (SEE DWG 'CHB')

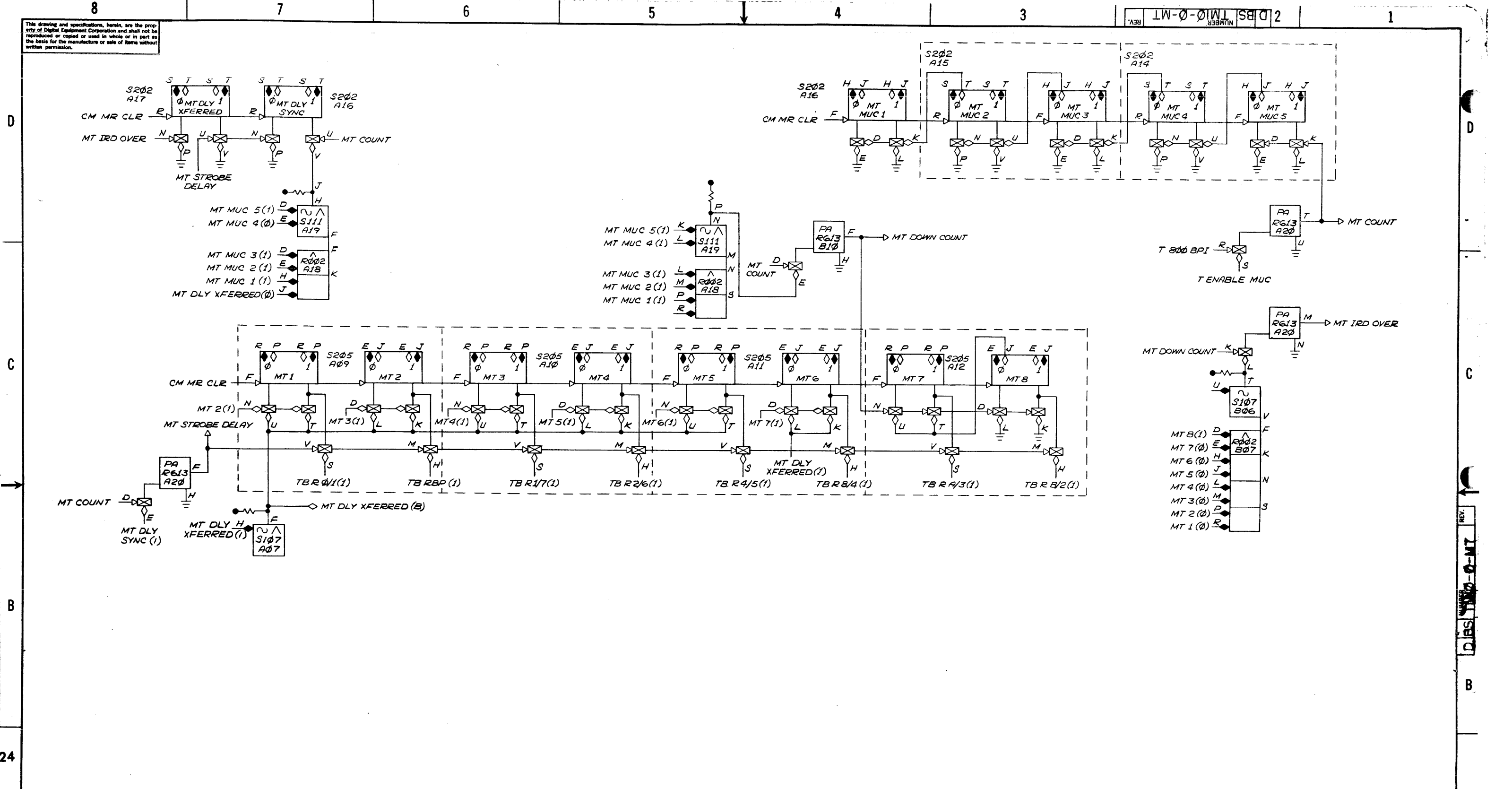
QTY.	DESCRIPTION	PART NO.	ITEM NO.
PARTS LIST			
TITLE			
I/O BUS CONTROL			
NUMBER			
D-BS-TM10-0-IOBC			
REV. B			
SCALE			
SHEET OF			
DIST.			

REVISION	CHANGE NO.	REV.
A	0006	A
B	0009	B
C	0010	C
D	0011	D

23

* SEE NOTE 2

This drawing and specifications, herein, are the property of Digital Equipment Corporation and shall not be reproduced or copied or used in whole or in part as the basis for the manufacture or sale of items without written permission.

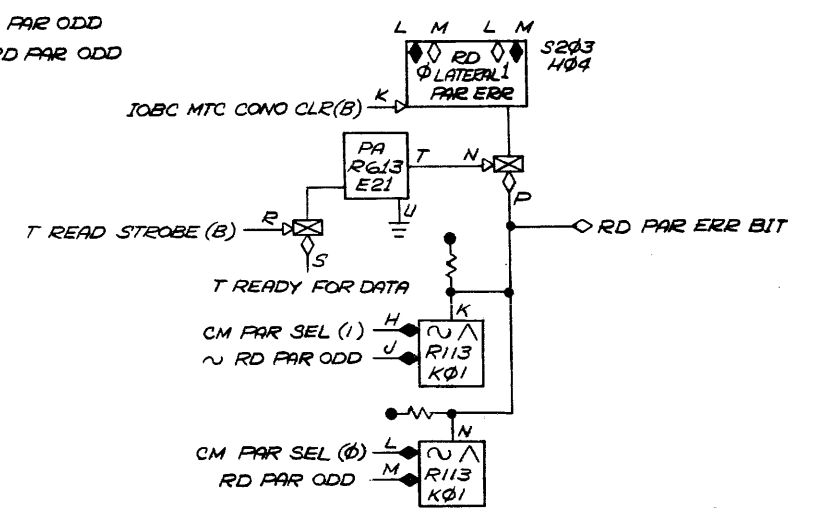
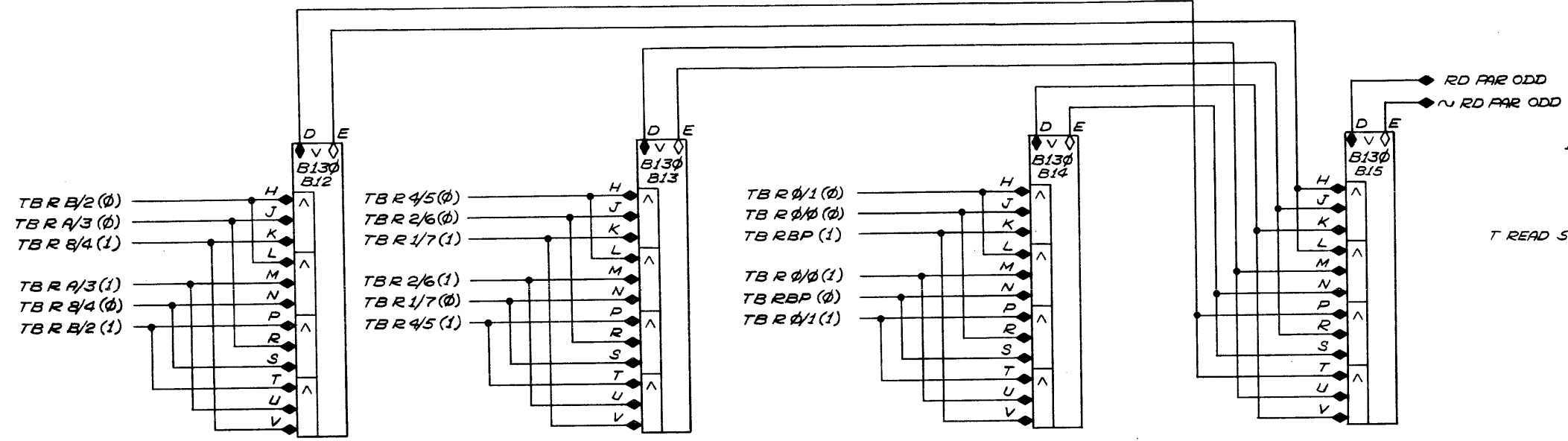
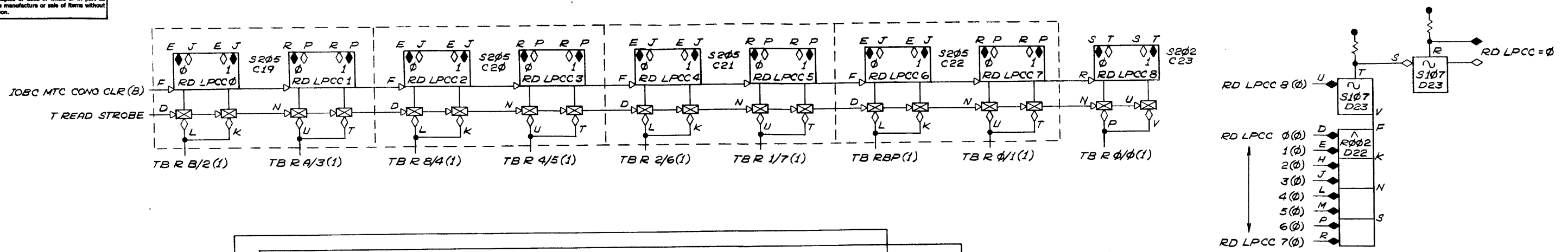


REV.	
CHANGE NO.	
CHK	

DO NOT SCALE DRAWING
 UNLESS OTHERWISE SPECIFIED
 DIMENSION IN INCHES
 TOLERANCES
 DECIMALS FRACTIONS ANGLES
 ±.005 ± 1/64 ± 0°30'
 FINAL SURFACE QUALITY /
 REMOVE BURRS AND BREAK SHARP
 CORNERS
 MATERIAL
 FINISH

QTY.	DESCRIPTION	PART NO.	ITEM NO.
PARTS LIST			
DRN. <i>Stephenson</i> DATE 8/22/67		digital EQUIPMENT CORPORATION MAYNARD, MASSACHUSETTS TITLE <h1 style="margin: 0;">MOTION TIMING</h1>	
CHK'D. <i>W. F. G.</i> DATE 5-21-68			
ENG. <i>D. Grace</i> DATE 5/23/68			
PROJ. ENG. <i>D. Grace</i> DATE 5/23/68			
PROD. <i>Ambruster</i> DATE 5-22-68		REV.	
FIRST USED ON		NUMBER	
SCALE		D-BS-TMI0-0-MT	
SHEET OF		DIST.	

This drawing and specifications, herein, are the property of Digital Equipment Corporation and shall not be reproduced or copied or used in whole or in part as the basis for the manufacture or sale of items without written permission.



25

REV.	CHANGE NO.
CHK.	

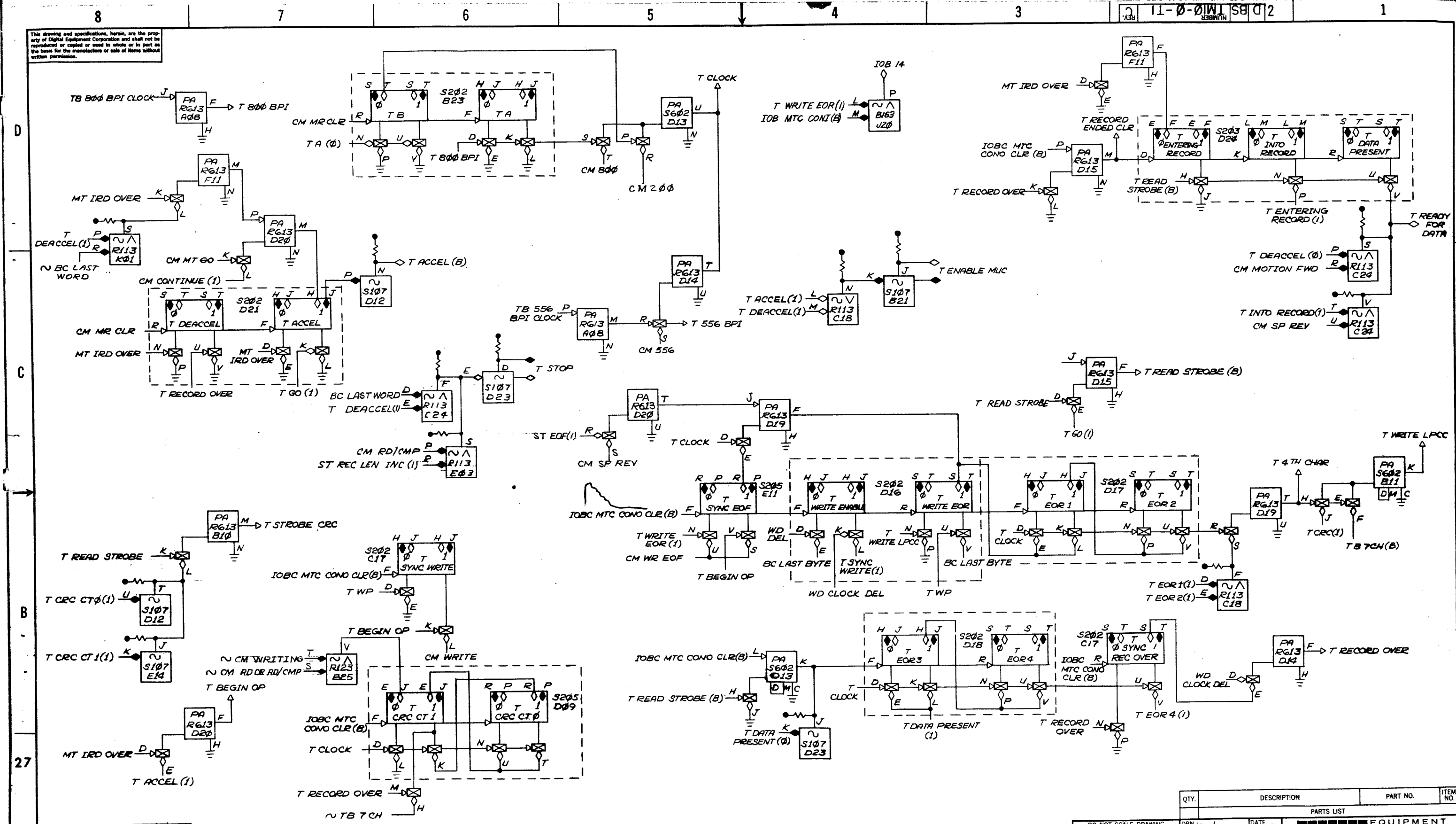
QTY.	DESCRIPTION	PART NO.	ITEM NO.
PARTS LIST			
DO NOT SCALE DRAWING		DRN. <i>Stephenson</i>	DATE <i>9/25/67</i>
UNLESS OTHERWISE SPECIFIED		CHK'D. <i>Stephenson</i>	DATE <i>5/11/68</i>
DIMENSION IN INCHES		ENG. <i>Stephenson</i>	DATE <i>5/22/68</i>
TOLERANCES		PROJ. ENG. <i>Stephenson</i>	DATE <i>5/22/68</i>
DECIMALS ± .005		PROJ. DATE <i>5/22/68</i>	DATE <i>5-22-68</i>
FRACTIONS ± 1/64		PROJ. DATE <i>5-22-68</i>	DATE <i>5-22-68</i>
ANGLES ± 0°30'		PROJ. DATE <i>5-22-68</i>	DATE <i>5-22-68</i>
FINAL SURFACE QUALITY		PROJ. DATE <i>5-22-68</i>	DATE <i>5-22-68</i>
REMOVE BURRS AND BREAK SHARP CORNERS		PROJ. DATE <i>5-22-68</i>	DATE <i>5-22-68</i>
MATERIAL		FIRST USED ON	
FINISH		SCALE	
		SHEET	OF
		NUMBER D-BS-TM10-0-RD	
		REV.	

digital EQUIPMENT CORPORATION
 MAYNARD, MASSACHUSETTS

TITLE
 READ DATA

--	--	--	--	--	--	--	--	--	--

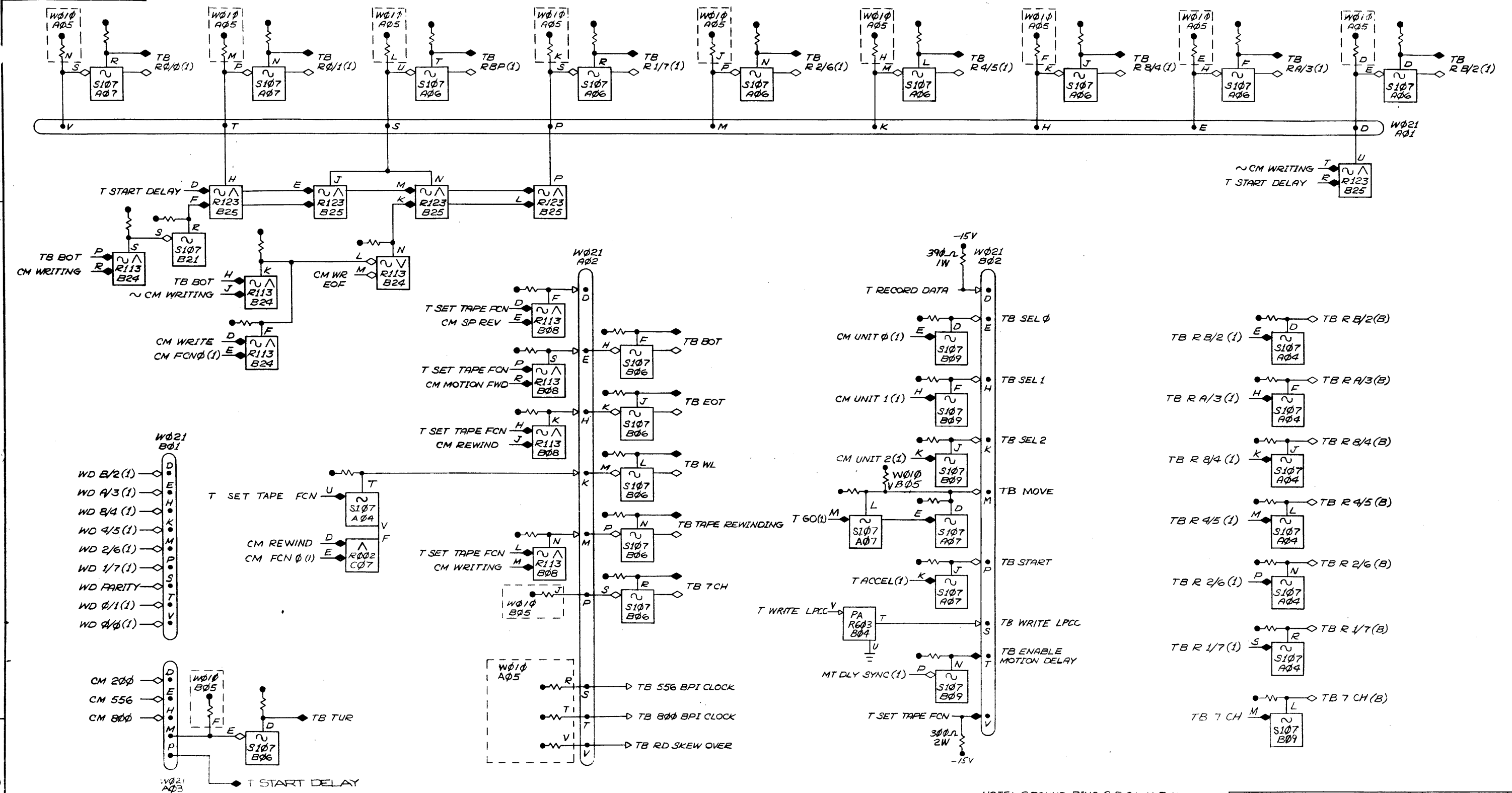
This drawing and specifications, herein, are the property of Digital Equipment Corporation and shall not be reproduced or copied in whole or in part as the basis for the manufacture or sale of items without written permission.



REV.	CHANGE NO.	DATE	BY	APP.
A		8/22/68		
B		9/16/68		
C		10/16/68		
D		11/14/68		
E		11/14/68		
F		1/21/69		
G		1/21/69		
H		1/21/69		

QTY.	DESCRIPTION	PART NO.	ITEM NO.
PARTS LIST			
<div style="display: flex; justify-content: space-between;"> <div> <p>DO NOT SCALE DRAWING</p> <p>UNLESS OTHERWISE SPECIFIED</p> <p>DIMENSION IN INCHES</p> <p>TOLERANCES</p> <p>DECIMALS FRACTIONS ANGLES</p> <p>±.005 = 1/64 = 0°30'</p> <p>FINAL SURFACE QUALITY</p> <p>REMOVE BURRS AND BREAK SHARP CORNERS</p> </div> <div> <p>DRN: <i>McDonnell</i></p> <p>CHKD: <i>...</i></p> <p>ENG: <i>...</i></p> <p>PROJ. ENG: <i>...</i></p> <p>PROD: <i>...</i></p> </div> <div> <p>DATE: 3/15/67</p> <p>DATE: 5-23-68</p> <p>DATE: 5/23/68</p> <p>DATE: 5/22/68</p> <p>DATE: 5-22-68</p> </div> </div>			
			digital EQUIPMENT CORPORATION MAYNARD, MASSACHUSETTS
TIMING			
SCALE: 1 OF 1			
SHEET 1 OF 1			
			REV. 6

This drawing and specifications, herein, are the property of Digital Equipment Corporation and shall not be reproduced or copied in whole or in part as the basis for the manufacture or sale of items without written permission.



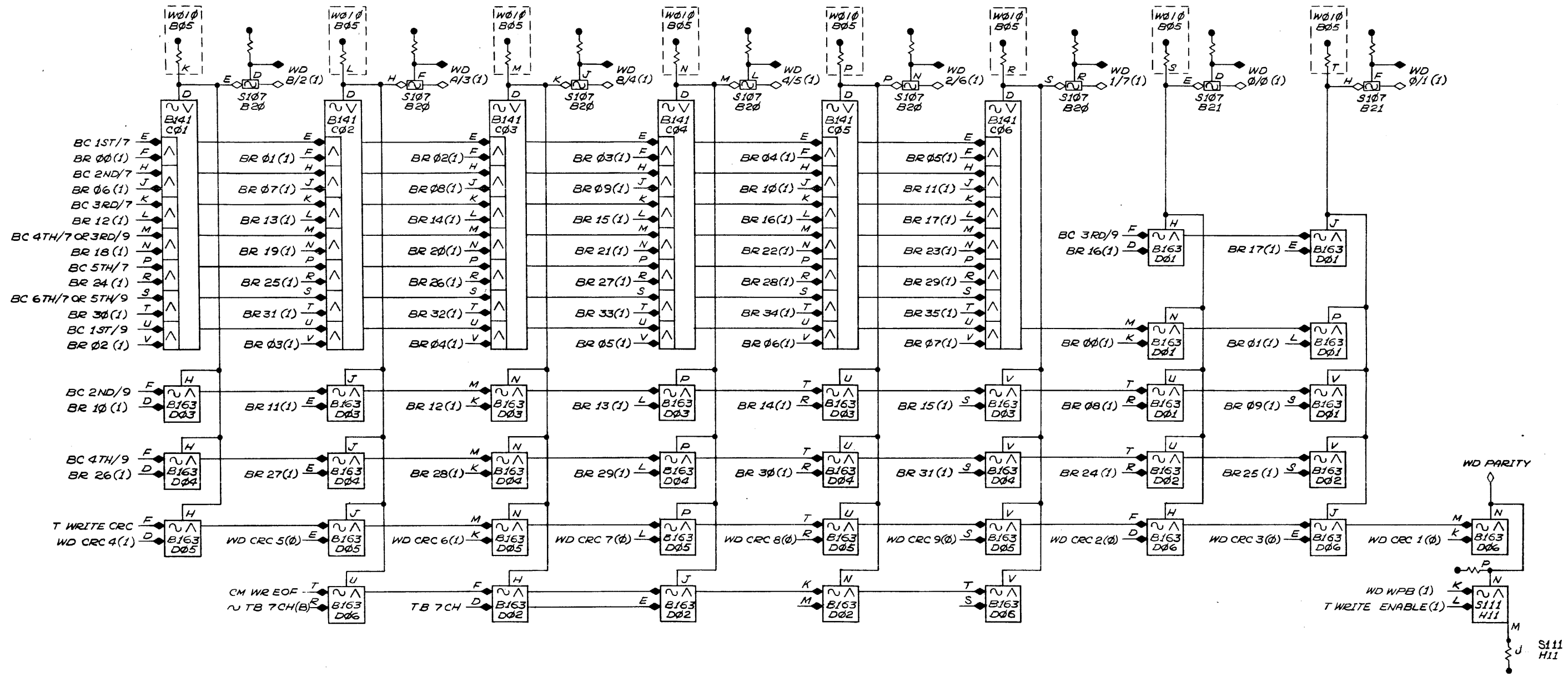
NOTE: GROUND PINS C, F, J, L, N, R, U ON ALL W021

REV.	CHANGE NO.	DATE	BY	CHK
A	TM10-00001	8-21-67	W. J.
B	TM10-00003	9-25-68
C	TM10A-00004	10/1/68
D

PARTS LIST		TITLE	
QTY.	DESCRIPTION	PART NO.	ITEM NO.
digital EQUIPMENT CORPORATION <small>MAYNARD, MASSACHUSETTS</small>			
TRANSPORT BUS			
SCALE		NUMBER	
SHEET OF		D-BS-TM10-0-TB	
DIST.		REV. D	

29

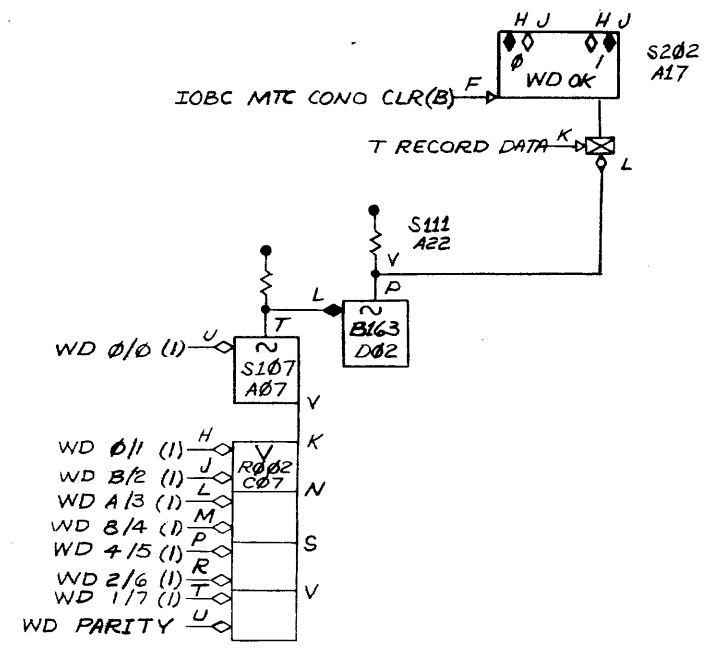
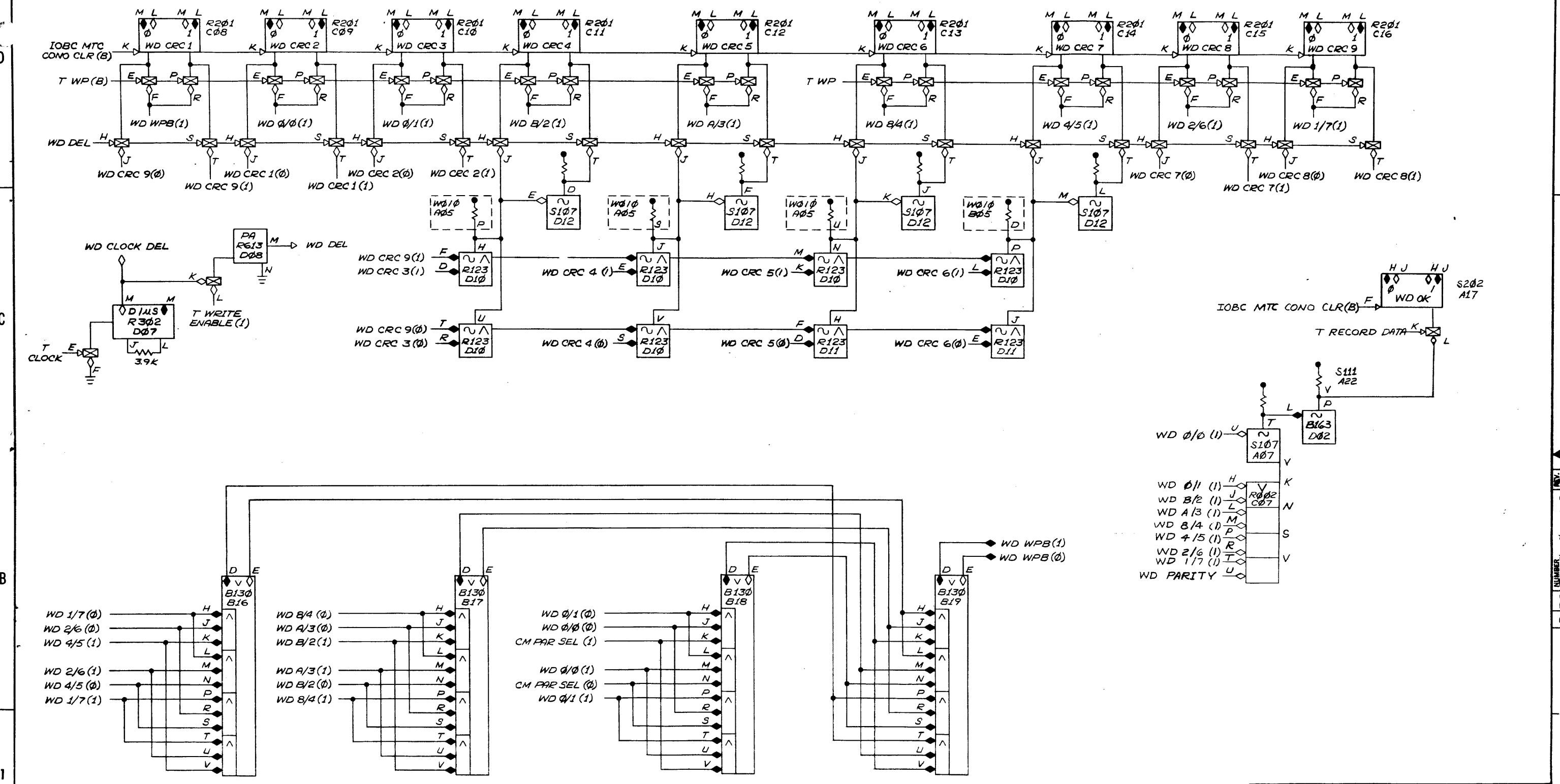
This drawing and specifications, herein, are the property of Digital Equipment Corporation and shall not be reproduced or copied in whole or in part as the basis for the manufacture or sale of items without written permission.



REV	CHG	NO	DATE
A		00001	8-21-67
B		00004	8/22/68
C		00004	10/15/68
D		00004	10/16/68

QTY.	DESCRIPTION	PART NO.	ITEM NO.
PARTS LIST			
DO NOT SCALE DRAWING UNLESS OTHERWISE SPECIFIED DIMENSION IN INCHES TOLERANCES DECIMALS FRACTIONS ANGLES ±.005 ± 1/64 ± 0°30' FINAL SURFACE QUALITY REMOVE BURRS AND BREAK SHARP CORNERS MATERIAL FINISH FIRST USED ON			
DSN: <i>Stephenson</i> DATE: 8/19/67 CHK'D: <i>de Cuffe</i> DATE: 5/22-68 ENG: <i>C. Grass</i> DATE: 5/22/68 PROJ. ENG: <i>D. Spang</i> DATE: 5/22/68 PROD: <i>M. M. M.</i> DATE: 5/22/68		digital EQUIPMENT CORPORATION MAYNARD, MASSACHUSETTS TITLE: WRITE DATA	
SCALE		NUMBER	
SHEET OF		D-BS-TM10-0-WDI B	
DIST.		REV. B	

This drawing and specifications, herein, are the property of Digital Equipment Corporation and shall not be reproduced or copied in whole or in part as the basis for the manufacture or sale of items without written permission.



REV.	CHANGE NO.	DATE	BY	CHK'D
A	00001	8-21-67	J. Lyons	
B	00004	8/22/68	J. Lyons	
C	00005	10-15-68	J. Lyons	
D	00006	10/19/68	J. Lyons	

QTY.	DESCRIPTION	PART NO.	ITEM NO.
PARTS LIST			
DO NOT SCALE DRAWING		DRN: J. Lyons	DATE: 8/21/67
UNLESS OTHERWISE SPECIFIED		CHK'D: J. Lyons	DATE: 8/21/67
DIMENSION IN INCHES		ENG: J. Lyons	DATE: 8/21/67
TOLERANCES		PROJ. ENG: J. Lyons	DATE: 8/21/67
DECIMALS FRACTIONS ANGLES		FRONT: J. Lyons	DATE: 8/21/67
= .005 ± .005 ± .030		FIRST USED ON:	
FINAL SURFACE QUALITY		FINISH:	
REMOVE BURRS AND BREAK SHARP CORNERS		SCALE:	
MATERIAL:		SHEET / OF /	
FINISH:		DIST.:	
digital EQUIPMENT CORPORATION MAYNARD, MASSACHUSETTS			
TITLE			
WRITE DATA			
NUMBER			REV.
D-BS-TMI0-0-WD2			B

This drawing and specifications, herein, are the property of Digital Equipment Corporation and shall not be reproduced or copied or used in whole or in part as the basis for the manufacture or sale of items without written permission.

G704	D	E	F	H	J	K	L	M	N	P	R	S	T	U
A25	CM RD OR RD/CMP	CM RD/CMP	CM REWIND	CM SPACING	CM WR EOF	CM WRITE	CM WRITING	ST ILLEGAL CONDITION	ST ILLEGAL OP(Φ)	ST XPORT HUNG(Φ)	TB RBP(Φ)	TB 7CH(B)	TB R 1/7(1)	TB R 2/6(1)
A26	CM PAR SEL(1)	CM RD IN(1)	CM UNIT OK(1)	CM WAITING(1)	ST EOF(1)	T DATA FLAG(1)	T GO(1)	TB BOT	TB EOT	TB R 9/3(1)	TB R 8/2(1)	TB R 4/1(1)	TB R 4/5(1)	TB R 2/4(1)
B03	CM SP REV	CM 800	T 4TH CHAR	CM MR CLR	TB 800 BPI CLOCK	TB 556 BPI CLOCK	TB RD SKEW OVER	TB WRITE LPCC	TB MOVE	T SET TAPE FCN			BC STROBE 157/9	
D27	CM MT GO	IOBC MTC CONO CLR(B)	T READ PULSE	T 800 BPI	TB R 4/1(Φ)	CC DATA TO CHAN	D 13K	BC XFER DONE	T RECORD ENDED CLR	BC BR CLR	IOBC MTC DATA CLR	BC LOAD HR(A)	BC LOAD HR(B)	BC LOAD HR(C)
K05	MT IRD OVER	IOBC MTC CONO CLR(A)	T CLOCK	T RECORD OVER	T STOP CONDITION	MT STROBE DELAY								

NOTE: GROUND PINS C & V ON ALL G704'S

REV.	CHG. NO.	REV.
A	TM10-00001	A
B	TM10A-00004	B
C	TM10-00006	C

GROSS
 A. Gross 8/27/68
 B. Gross 10/16/68
 C. Gross 1/21/69

QTY.	DESCRIPTION	PART NO.	ITEM NO.
PARTS LIST			
DO NOT SCALE DRAWING			
UNLESS OTHERWISE SPECIFIED			
DIMENSION IN INCHES			
TOLERANCES			
DECIMALS	FRACTIONS	ANGLES	
± .005	± 1/64	± 0°30'	
FINAL SURFACE QUALITY			
REMOVE BURRS AND BREAK SHARP CORNERS			
MATERIAL		FIRST USED ON	
FINISH		SCALE	
		SHEET OF	
		DIST.	
		NUMBER	
		REV.	
		D-CL-TM10-0-TERM 6	

DATE 11/11/67
 DATE 5-22-68
 DATE 5/22/68
 DATE 5/22/68
 DATE 5-22-68

DRN: *[Signature]*
 CHK'D: *[Signature]*
 ENG: *[Signature]*
 PROJ. ENG: *[Signature]*
 PRD: *[Signature]*

digital EQUIPMENT CORPORATION
 MAYNARD, MASSACHUSETTS

TITLE
TERMINATORS

D

C

B

32

A

D

C

B

32

A

This drawing and specifications herein, are the property of Digital Equipment Corporation and shall not be reproduced, copied or used in whole or in part as the basis for the manufacture or sale of items without written permission.

	1	2	3	4	5	6	7	8	9	10	11	12	13	14	15	16	17	18	19	20	21	22	23	24	25	26	27	28	29	30	31	32	33	34	35	36	37	38	39	40	41	42	43	44			
USAGE	R113	S282	R123	S151	G784	R141	R113	R113	S187	S187	R882	S111	S187	R882	R882	S111	W187	W187	W187	S187	W851	W851	W851	W851	W851	W851	W851	W851	W851	W851	W851	B163	B163	B163													
TERM	CM SF RECORD	BC DATA	CM PAR SEL		MT TRD	CM UNIT DIFFERS	CM 288	CM FLAG REQ	CM 288	CM WRITE	CM CONT	CM MOTION FWD	IOBC MTC SEL	CM MOTION FWD	CM FLAG REQ	IOBC MTC SEL	IOB 88 (B)	IOB 86 (B)	IOB 12 (B)	IOBC D CLR	CABLE	CABLE	CABLE	CABLE	CABLE	CABLE	CABLE	CABLE	CABLE	CABLE	CABLE	CABLE	CABLE	CABLE	CABLE	CABLE	CABLE	CABLE	CABLE	CABLE	CABLE	CABLE	CABLE	CABLE	CABLE		
	RD PAR	BC DATA	CM CORE DUMP	CM			CM 556	CM LEGAL TEST	CM NO-OP	CM REWIND	CM CONT		IOBC MTC SEL	CHB CHN ERR			IOB 88 (B)	IOB 86 (B)	IOB 12 (B)	IOBC D CLR	TO	TO	RESET	PI 1	TO	TO	RESET	PI 1	TO	TO	RESET	PI 1	TO	TO	RESET	PI 1	TO	TO	RESET	PI 1	TO	TO	RESET	PI 1			
	ERR	ACT	CM FCN 2	DCDR	CM UNIT DIFFERS		CM 888	CM WRITE OR RD/CMP	CM RD/CMP	CM READ	IOBC	CM CONT	IOBC MTC SEL	IOBC	IOBC		IOB 88 (B)	IOB 86 (B)	IOB 12 (B)	IOBC D CLR	TO	TO	RESET	PI 1	TO	TO	RESET	PI 1	TO	TO	RESET	PI 1	TO	TO	RESET	PI 1	TO	TO	RESET	PI 1	TO	TO	RESET	PI 1			
	T ACCEL	CM RD IN	CM FCN 3					CM SPCING	CM WRITING	CM SP REV	CM WR CLR	CM UNIT DIFF	IOBC MTC SEL	IOBC	IOBC		IOB 88 (B)	IOB 86 (B)	IOB 12 (B)	IOBC D CLR	TO	TO	RESET	PI 1	TO	TO	RESET	PI 1	TO	TO	RESET	PI 1	TO	TO	RESET	PI 1	TO	TO	RESET	PI 1	TO	TO	RESET	PI 1			
	BC LAST WORD		CM FCN 1					CM WRITING	CM WRITING	CM WR EOP	CM WR CLR	CM CONT	IOBC MTC SEL	IOBC	IOBC		IOB 88 (B)	IOB 86 (B)	IOB 12 (B)	IOBC D CLR	TO	TO	RESET	PI 1	TO	TO	RESET	PI 1	TO	TO	RESET	PI 1	TO	TO	RESET	PI 1	TO	TO	RESET	PI 1	TO	TO	RESET	PI 1			
USAGE	S283	S283	S283	S283	R123	S283	S283	S283	B152	B152	R613	R613	R613		B685	B685	W187	W187	W187																												
	CM PAR SEL	CM FCN 1	CM NEXT UNIT ENB	CM UNIT #	CM UNIT #	CM NEXT UNIT #	CM FLAG PIA #	CM DATA PIA #	IOB PI 1 TO	IOB PI 1 TO	IOBC MTC CONO SET(A)	IOBC MTC CLR	IOBC MTC SET(A)		IOBC MTC CONI	IOBC MTC DATA1	IOB 18(B)	IOB 24(B)	IOB 38(B)																												
	CM CORE DUMP	CM FCN 2	CM DENS #	CM UNIT 1	CM UNIT 1	CM NEXT UNIT 1	CM FLAG PIA 1	CM DATA PIA 1	IOB PI 7 TO	IOB PI 7 TO	IOBC MTS CONO SET	IOBC MTS DATA CLR	IOBC MTS DATA SET(B)		IOBC MTS CONI	IOBC MTS DATA1	IOB 19(B)	IOB 25(B)	IOB 31(B)																												
	CM FCN #	CM FCN 3	CM DENS 1	CM UNIT 2	CM UNIT 2	CM NEXT UNIT 2	CM FLAG PIA 2	CM DATA PIA 2	(CM) (DCDR)	(CM) (DCDR)	IOBC MTC CONO SET(B)	IOBC MTC CONO CLR(A)	IOBC MTS DATA SET		IOBC MTS CONI	IOBC MTS DATA1	IOB 20(B)	IOB 26(B)	IOB 32(B)																												

1	2	3	4	5	6	7	8	9	10	11	12	13	14	15	16	17	18	19	20	21	22	23	24	25	26	27	28	29	30	31	32	33	34	35	36	37	38	39	40	41	42	43	44						

REV. NO.	CHANGE NO.	CHK	UNLESS OTHERWISE SPECIFIED DIMENSION IN INCHES TOLERANCES DECIMALS ± 005 FRACTIONS ± 1/64 ANGLES ± 0'30"	DRN. <i>A. Stephenson</i>	DATE <i>6/11/68</i>	digital EQUIPMENT CORPORATION MAYNARD, MASSACHUSETTS	TITLE 7 MIQA MODULE UTILIZATION
				ENG. <i>Stephenson</i>	DATE <i>6/11/68</i>		
MATERIAL	FINISH	UNLESS OTHERWISE SPECIFIED FINAL SURFACE QUALITY REMOVE BURRS AND BREAK SHARP CORNERS		PROJ. ENG. <i>A. Stephenson</i>	DATE <i>6/11/68</i>	FIRST USED ON	SIZE CODE DMU
		PROJ. <i>Stephenson</i>	DATE <i>6/11/68</i>	NUMBER TM1QA-Ø-MU	REV. E		
SCALE SHEET 3 OF 3				DIST.			

DIGITAL EQUIPMENT CORPORATION MAYNARD, MASSACHUSETTS			QUANTITY							REVISIONS			
PARTS LIST			TM10A	TM10B							CHANGE NO.	DATE	ENG.
ITEM NO.	DWG. NO.	DESCRIPTION									A-TM10-00001	8-26-68	SOB
	G704	2 MA TERMINATOR	5	5									
	W002	CLAMPED LOAD	3	0									
	W005	CLAMPED LOAD	1	3									
	W102	BUS TRANSCEIVER	0	10									
	W107	BUS RECEIVER	6	6									
	W990	BLANK MODULE 18 PINS	4	18									
	W010	CLAMPED LOAD	2	2									
	B130	THREE BIT PARITY CIRCUIT	8	8									
	B133	DIODE GATE	0	1									
	B135	DIODE GATE	0	1									
	B137	DIODE GATE	0	1									
	B152	BINARY TO OCTAL DECODER	2	1									
	B156	HALF BINARY TO OCTAL DECODER	2	2									
MADE BY BERNIER		DATE 1/12/68	TITLE MODULE CONTROL					DRWG. NO. A-PL- TM10-0-MU		REV. LTR. F			
CHECKED <i>al</i>		DATE 6-14-68	FOR MAG TAPE CONTROL					ASSY NO		SHEET 1 OF 3			
ENG <i>D. Gross</i>		DATE 6/14/68											

(39)

DIGITAL EQUIPMENT CORPORATION MAYNARD, MASSACHUSETTS			QUANTITY										REVISIONS			
PARTS LIST			TM10A	TM10B										CHANGE NO.	DATE	ENG.
ITEM NO.	DWG. NO.	DESCRIPTION														
	B163	DIODE GATE	20	21												
	B165	DIODE INVERTER	0	2												
	B204	QUADRUPLE FLIP FLOP	0	1												
	B212	DUAL FLIP FLOP	0	1												
	B311	DELAY LINE	0	2												
	B611	DUAL PULSE AMPLIFIER	0	2												
	B683	BUS DRIVER	0	2												
	B685	DIODE GATE DRIVER	2	2												
	R002	DIODE NETWORK	14	14												
	R113	NAND/NOR GATE	13	13												
	R123	INPUT BUS	10	11												
	R141	AND/NOR GATE	1	1												
	B141	AND/NOR GATE	6	6												
MADE BY BERNIER		DATE 1/12/68	TITLE MODULE COUNT										DRWG. NO. A-PL-TM10-0-MU		REV. LTR.	
CHECKED <i>Al Cyffer</i>		DATE 6-14-68	FOR MAG TAPE CONTROL										ASSY NO		F	
ENG <i>D Gross</i>		DATE 6/14/68											SHEET 2 OF 3			

(40)

DIGITAL EQUIPMENT CORPORATION
MAYNARD, MASSACHUSETTS

QUANTITY

REVISIONS

PARTS LIST

ITEM NO.	DWG. NO.	DESCRIPTION	TM10A	TM10B											CHANGE NO.	DATE	ENG.
	R2Ø1	FLIP FLOP	11	10													
	R3Ø2	DUAL DELAY MULTIVIBRATOR	4	4													
	R3Ø3	INTEGRATING ONE SHOT	1	1													
	R6Ø1	PULSE AMPLIFIER	1	1													
	R613	TRIPLE PULSE AMPLIFIER	22	22													
	S1Ø7	INVERTER	17	17													
	S111	EXPANDABLE NAND/NOR GATE	7	7													
	S151	BINARY TO OCTAL DECODER	1	1													
	S2Ø2	DUAL FLIP FLOP	16	18													
	S2Ø3	TRIPLE FLIP FLOP	11	13													
	S2Ø5	DUAL FLIP FLOP	47	29													
	S6Ø2	PULSE AMPLIFIER	5	6													
MADE BY BERNIER		DATE 1/12/68	TITLE MODULE COUNT					DRWG. NO. A-PL- TM10-0-MU					REV. LTR.				
CHECKED <i>W. P. [Signature]</i>		DATE 6-11-68	FOR MAG TAPE CONTROL					ASSY NO					SHEET 3 OF 3				
ENG. <i>A. Grass</i>		DATE 6/14/68											F				

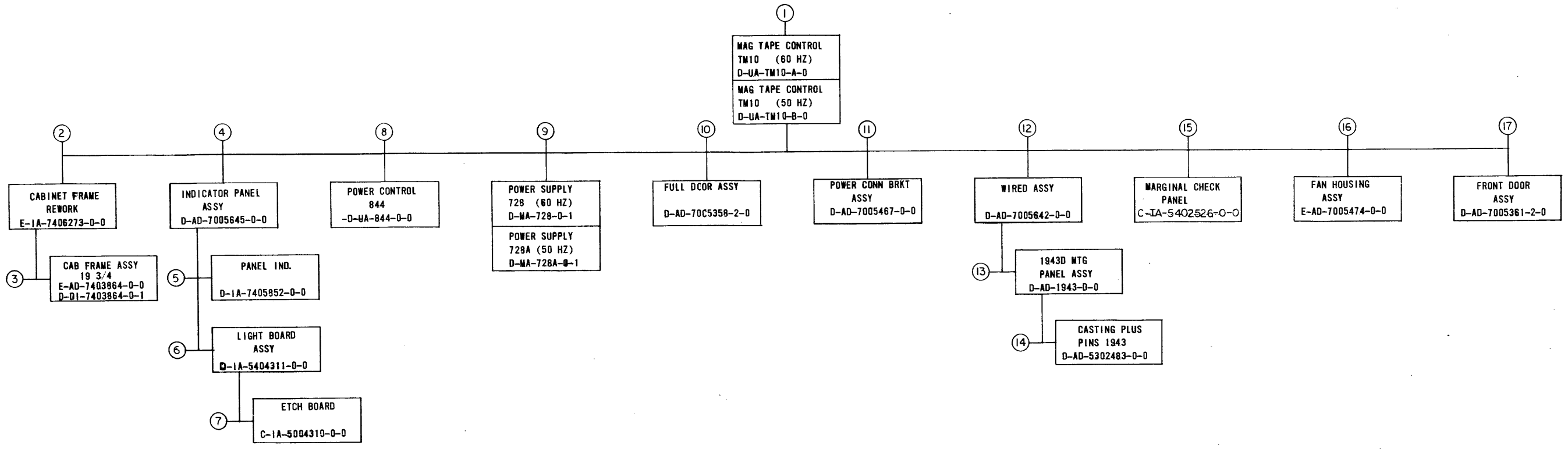
(41)

This drawing and specifications herein, are the property of Digital Equipment Corporation and shall not be reproduced or copied or used in whole or in part as the basis for the manufacture or sale of items without written permission.

COMPONENT NAME	VALUE	POL.	FROM PIN	TO PIN	POL.			
RESISTOR	1.5K 1/4W 10%		H1ØS	H1ØU				
RESISTOR	3.9K 1/4W 10%		JØ4S	JØ4U				
RESISTOR	3.9K 1/4W 10%		H1ØJ	H1ØL				
RESISTOR	3.9K 1/4W 10%		JØ3J	JØ3L				
RESISTOR	3.9K 1/4W 10%		JØ4J	JØ4L				
RESISTOR	3.9K 1/4W 10%		JØ3S	JØ3U				
RESISTOR	3.9K 1/4W 10%		DØ7S	DØ7U				
RESISTOR	3.9K 1/4W 10%		DØ7J	DØ7L				
RESISTOR	3ØØohm 2W 10%		BØ2V	BØ2B				
RESISTOR	39Øohm 1W 10%		BØ4M	BØ4B				
RESISTOR	1ØØ Ω 1/4W 10%		D32D	GND				
RESISTOR	1ØØ Ω 1/4W 10%		D32E	GND				
RESISTOR	1ØØ Ω 1/4W 10%		D3ØD	GND				
RESISTOR	1ØØ Ω 1/4W 10%		D29E	GND				
RESISTOR	1ØØ Ω 1/4W 10%		D31E	GND				
RESISTOR	1ØØ Ω 1/4W 10%		D30E	GND				
RESISTOR	100 Ω 1/4W 10%		J22T	GND				
RESISTOR	100 Ω 1/4W 10%		F25V	GND				
RESISTOR	100 Ω 1/4W 10%		F3ØV	GND				
RESISTOR	100 Ω 1/4W 10%		C27L	GND				
CAPACITOR	39 UFD	-	HØ7J	HØ7N	+			
CAPACITOR	.Ø1 Ufd		L15U	L15C				
REVISIONS				DRN. BERNIER	DATE 12/68	digital EQUIPMENT CORPORATION MAYNARD, MASSACHUSETTS TITLE EXTERNAL COMPONENT LIST FOR TM1Ø		
REV.	DATE	CHG. NO.	APP'D.	CHK'D.	DATE			
A	1/23/69	TM1Ø-ØØØØ	[Signature]	ENG. G	DATE 5/22/68			
B	2/11/69	TM1Ø-ØØØØ	[Signature]	PROJ. ENG.	DATE 5/22/68			
C	3/21/69	TM1Ø-ØØØØ	[Signature]	PROP.	DATE 5/22/68			
D	3/1/71	TM1Ø-ØØØØ	[Signature]	FIRST USED ON				
				SCALE		SIZE CODE	NUMBER	REV.
				SHEET 1 OF 1		A CP	TM1Ø-Ø-COMP	D
				DIST.				

(42)

This drawing and specifications, herein, are the property of Digital Equipment Corporation and shall not be reproduced or copied or used in whole or in part as the basis for the manufacture or sale of items without written permission.



REV	CHG	NO	DATE	BY	DESCRIPTION
1	ECO # 3315	A			ADDED DECALS TO FIND # 1.
2	CRABBC	B	2/6/68		
3	ECO # 3371	B			
4	CHG # 1	F 15			
5	ECO # 7055	C			
6	ECO # 7055	C			
7	ECO # 7055	C			
8	ECO # 7055	C			
9	ECO # 7055	C			
10	ECO # 7055	C			
11	ECO # 7055	C			
12	ECO # 7055	C			
13	ECO # 7055	C			
14	ECO # 7055	C			
15	ECO # 7055	C			
16	ECO # 7055	C			
17	ECO # 7055	C			

FIRST USED ON OPT/MOD	QTY.	DESCRIPTION	PART NO.	ITEM NO.
TMIOA				
PARTS LIST				
digital EQUIPMENT CORPORATION MAYNARD, MASSACHUSETTS				
DRAWING INDEX LIST TMIO				
NEXT HIGHER ASSY TMIOA-A				
SCALE: 1 OF 2				
SHEET: 1 OF 2				
DIST. G				

ASSY. NO. D-UA-TMIO-0-0

43

A

REV. E
 NUMBER TMIO-0-1
 SIZE CODE DDI

This drawing and specifications, herein, are the property of Digital Equipment Corporation and shall not be reproduced or copied or used in whole or in part as the basis for the manufacture or sale of items without written permission.

MECHANICAL			DEPT USAGE			MECHANICAL			DEPT USAGE		
FIND NO.	DESCRIPTION	PART NO.	PRD	CUST	F/C	FIND NO.	DESCRIPTION	PART NO.	PRD	CUST	F/C
1	MAG TAPE CONTROL (60 HZ) MAG TAPE CONTROL (60HZ) (PL) MAG TAPE CONTROL (50 HZ) MAG TAPE CONTROL (50HZ) (P.L.) SPACER BRACKET (DOOR PIVOT) PANEL, BLANK #7402039 PANEL, BLANK #7402036 PANEL, BLANK #7402033 MC. CABLE/REMOTE CONT TRIM STRIP, BOTTOM PLATE, RIGHT END (5302486) PANEL, BLANK (7402027) BLOCK, RET 10 CABLE BC10A CABLE W012-W250 CABLE TWIST LOCK 25 FT. END PANEL ASSY CABLE W012-W250 CABLE W012-W250 DECAL (TM10A) DECAL (TM10B)	D-UA-TM10-A-0 A-PL-TM10-A-0 D-UA-TM10-E-0 A-PL-TM10-E-0 A-MD-7405860-0-0 B-MD-7405861-0-0 B-5111 B-5111 B-5111 C-UA-BC10B-0-0 D-MD-7405862-0-0 C-IA-5302486-0-0 B-5100 B-MD-7406047-0-0 D-UA-BC10A-0-0 D-IA-7005459-2-0 C-AD-7005427-0-0 E-IA-7405092-0-0 D-IA-7005459-4-0 D-IA-7005459-30-0 B-DC-7406496-0-0 B-DC-7406499-0-0				12	WIRED ASSY WIRED ASSY (P.L.) PANEL SCOTCHCAL	D-AD-7005642-0-0 A-PL-7005642-0-0 A-DC-7408370-0-0			
2	CABINET FRAME REWORK	E-IA-7406273-0-0				13	1943D MTG PANEL 1943D MTG PANEL (P.L.)	D-AD-1943-D-0 A-PL-1943-D-0			
3	CAB FRAME ASSY 19 3/4 IN DRAWING INDEX	E-AD-7403864-0-0 D-DI-7403864-0-1				14	1943 CASTING PLUS PINS 1943 CASTING PLUS PINS (P.L.) 1943 FRAME CASTING	D-AD-5302483-0-0 A-PL-5302483-0-0 E-MD-1202895-0-0			
4	INDICATOR PANEL ASSY INDICATOR PANEL ASSY (PL) SUPPORT GLASS BEZEL INDICATOR (REWORK) BRACKET PANEL MTG PLATE STRIKER RETAINER FT PANEL	D-AD-7005845-0-0 A-PL-7005845-0-0 D-IA-7406192-0-0 D-MD-7405729-1-0 B-IA-7405929-0-0 A-MD-7405899-0-0 B-MD-7405931-0-0				15	MARGINAL CHECK PANEL ASSY PANEL MARGINAL CHECK SCOTCHCAL	C-IA-5402526-0-0 C-MD-5302484-0-0 C-SS-10801-			
5	PANEL, INDICATOR SILK SCREEN SILK SCREEN	D-IA-7405852-0-0 C-SS-7405852-0-1 C-SS-7406261-0-2				16	FAN HOUSING ASSY FAN HOUSING ASSY (P.L.) HOUSING FAN PANEL FRONT FAN COVER PROTECTION 4 TERM SCREEN FAN	E-AD-7005474-0-0 A-PL-7005474-0-0 D-MD-7406032-0-0 B-MD-7406030-0-0 B-MD-7404721-0-0 C-MD-7404881-0-0			
6	LIGHT BOARD ASSY RECEPTACLE	D-IA-5404311-0-0 B-MD-5503954-0-0				17	FRONT DOOR ASSY FRONT DOOR ASSY (P.L.) HINGE PIN (TOP) FRONT DOOR DOOR SPACER (BOTTOM) HINGE PIN (BOTTOM)	D-AD-7005361-2-0 A-PL-7005361-2-0 B-MD-7405865-0-0 D-IA-7405877-0-0 A-MD-7405312-0-0 B-MD-20400-8			
7	ETCH BOARD FLIP CHIP MOD, BLANK ETCH PATTERN	C-IA-5004310-0-0 D-MD-1402230-0-0 PC-5404311									
8	844 POWER CONTROL 844 POWER CONTROL (P.L.)	D-UA-844-0-0 A-PL-844-0-0									
9	728 POWER SUPPLY 728 POWER SUPPLY (P.L.) 728A POWER SUPPLY 728A POWER SUPPLY (P.L.)	D-UA-728-0-1 A-PL-728-0-1 D-UA-728A-0-1 A-PL-728A-0-1									
10	FULL DOOR ASSY FULL DOOR ASSY (P.L.) FULL DOOR HINGE PIN (TOP) DOOR SPACER (BOTTOM) HINGE PIN (BOTTOM)	D-AD-7005358-2-0 A-PL-7005358-0-0 D-IA-7405741-0-0 B-MD-20400-7 A-MD-7405312-0-0 B-MD-20400-8									
11	POWER CONNECTOR BRKT ASSY POWER CONN BRKT ASSY (P.L.) BRACKET, POWER CONN SCOTCHCAL BRAND FILM DECALS	D-AD-7005467-0-0 A-PL-7005467-0-0 D-MD-7406024-0-0 A-SS-7406051-0-0									

ELECTRICAL			DEPT USAGE		
FIND NO.	DESCRIPTION	PART NO.	PRD	CUST	F/C
1	MAG TAPE CONTROL (60 HZ) MAG TAPE CONTROL (60 HZ) BUFFER REGISTER CHANNEL CONTROL FOR CHAN INT CHANNEL BUS LOGIC SIGNALS CHANNEL DATA INTERFACE CHANNEL DATA INTERFACE CHANNEL DATA COMMAND COMMAND HOLD REGISTER INDICATOR CONNECTORS I/O BUS CONTROL MOTION TIMING READ DATA STATUS BITS TIMING TIMING TRANSPORT BUS WRITE DATA WRITE DATA TERMINATORS MODULE UTILIZATION MODULE UTILIZATION MODULE UTILIZATION BUFFER CONTROL BUFFER CONTROL WIRED ASSY WIRED ASSY (PL) WIRE LIST TM10 BUFFER REGISTER WIRING, POWER AC & DC CABLE SET TM10 LIGHT BOARD ASSY CIRCUIT SCHEMATIC	A-WL-TM10-A A-WL-TM10-B D-BS-TM10-U-BR2 D-BS-TM10-Q-CC D-BS-TM10-Q-CMB D-BS-TM10-Q-CHND 1 D-BS-TM10-Q-CHND 2 D-BS-TM10-Q-CHND 3 D-BS-TM10-Q-CM1 D-BS-TM10-Q-CM2 D-BS-TM10-Q-HR D-BS-TM10-Q-IND D-BS-TM10-Q-IOBC D-BS-TM10-Q-MT D-BS-TM10-Q-RD D-BS-TM10-Q-ST D-BS-TM10-Q-T1 D-BS-TM10-Q-T2 D-BS-TM10-Q-TB D-BS-TM10-Q-WD1 D-BS-TM10-Q-WD2 D-CP-TM10-Q-TERM D-MU-TM10-Q-MUL1 D-MU-TM10-Q-MUL2 D-MU-TM10-Q-MUL3 D-BS-TM10-Q-BC1 D-BS-TM10-Q-BC2 D-AD-7005642-0-0 A-PL-7005642-0-0 K-WL-TM10-Q-WL D-BS-TM10-Q-BRI D-IC-TM10-Q-2 C-AD-7006148-0-0 C-IA-5404311-0-0 B-CS-5404311-0-1			
11	POWER CONN BRKT ASSY	D-AD-7005467-0-0			
15	MARGINAL CHECK PANEL CIRCUIT SCHEMATIC	B-CS-1943-0-1			
16	FAN HOUSING ASSY	E-AD-7005474-0-0			
CONT FIND NO. 1	MFG. CHECKOUT & TEST	A-SP-TM10B-0-1			

REVISIONS CHANGE NO. CHK	REV	
	CHK	
	REV	
	CHK	

UNLESS OTHERWISE SPECIFIED	DRN. <i>K.C. Mite</i> DATE 23 AUG 67
UNLESS OTHERWISE SPECIFIED	CHK'D. <i>[Signature]</i> DATE 11-27-67
TOLERANCES	ENG. <i>[Signature]</i> DATE 11/25/67
DECIMALS FRACTIONS ANGLES	PROJ. ENG. <i>[Signature]</i> DATE 11/25/67
± .005 ± 1/64 ± 0°30'	PROD. <i>[Signature]</i> DATE 11/25/67
FINAL SURFACE QUALITY	FIRST USED ON
REMOVE BURRS AND BREAK SHARP CORNERS	

MATERIAL	+
FINISH	+

SCALE	1:1
SHEET	2 OF 2

PARTS LIST	
QTY.	DESCRIPTION PART NO. ITEM NO.

digital EQUIPMENT CORPORATION MAYNARD, MASSACHUSETTS	
TITLE DRAWING INDEX LIST TM10	
SIZE CODE DDI	NUMBER TM10-0-1
REV. E	

This drawing and specifications, herein, are the property of Digital Equipment Corporation and shall not be reproduced or copied or used in whole or in part as the basis for the manufacture or sale of items without written permission.

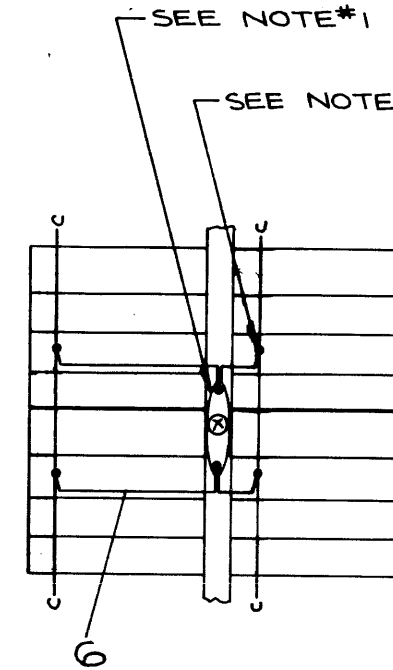
2 D AD 7005642-0-0

1

SEE DETAIL-A

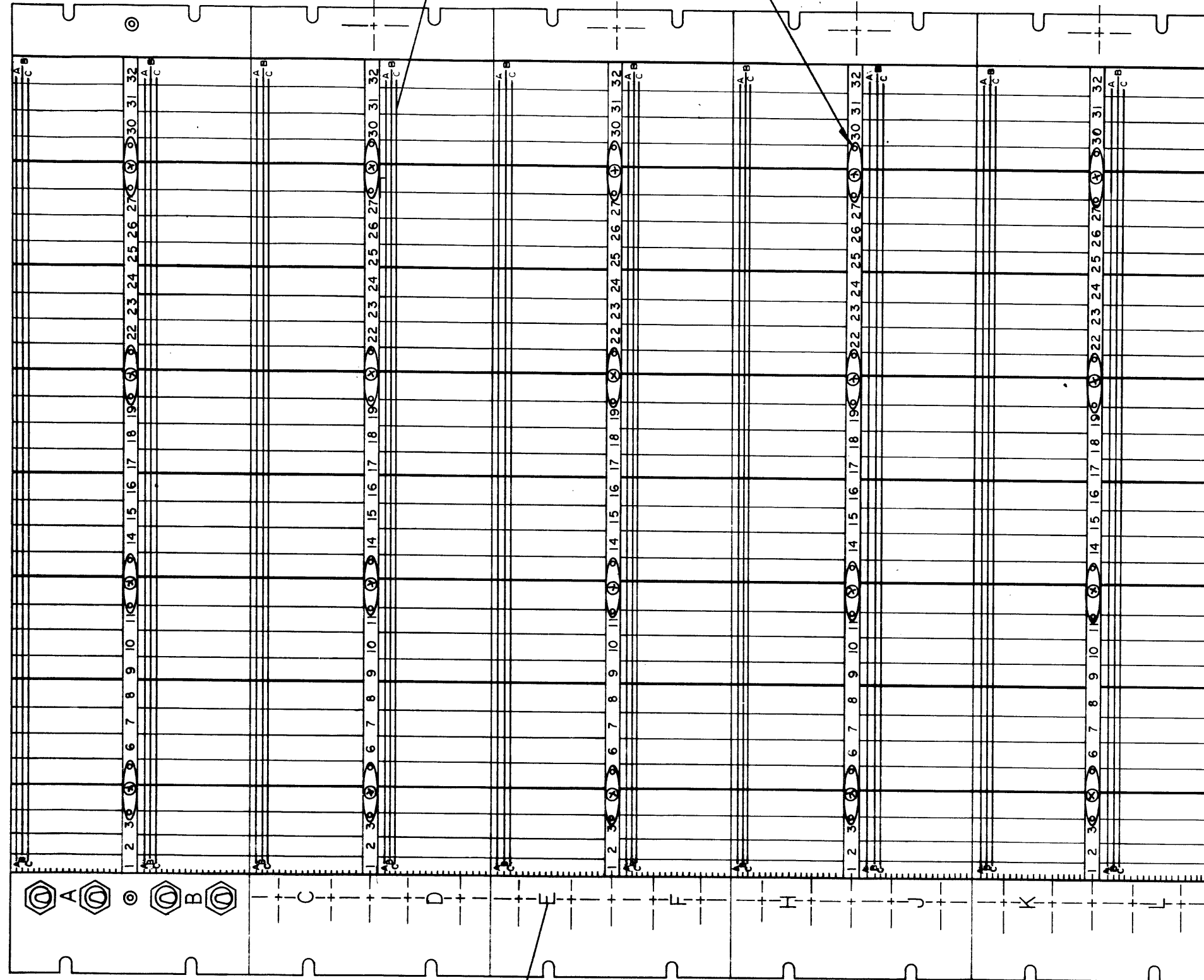
NOTES:

1. ALL CONN BLOCKS TO BE GROUNDED TO ALL LUGS AS SHOWN
2. CONNECTIONS ON ITEMS #2, & 6 TO BE SOLDERED AT 90° & LOCATED AT MINIMUM PRACTICAL HEIGHT ABOVE BLOCK
3. USE YEL WIRE, ITEM #5, FOR MACHINE WRAPPED, & BLUE WIRE ITEM #7 FOR HAND WRAPPED WIRING



DETAIL-A
20 PLACES

SEE NOTE #3



4

REV.	
CHG	
NO.	

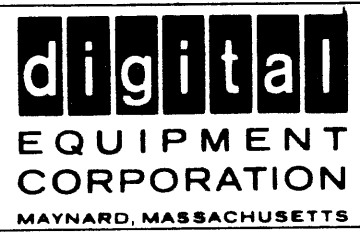
DO NOT SCALE DRAWING	
UNLESS OTHERWISE SPECIFIED	
DIMENSION IN INCHES	
TOLERANCES	
DECIMALS	FRACTIONS
± .005	± 1/64
ANGLES	
± 0°30'	
FINAL SURFACE QUALITY	
REMOVE BURRS AND BREAK SHARP CORNERS	
MATERIAL	+
FINISH	+

QTY.	DESCRIPTION	PART NO.	ITEM NO.
PARTS LIST			
DRN.	<i>R. Cook</i>	DATE	<i>11/14/67</i>
CHK'D.	<i>D. Cook</i>	DATE	<i>10-27-67</i>
ENG.	<i>D. Cook</i>	DATE	<i>11/14/67</i>
PROJ. ENG.	<i>D. Cook</i>	DATE	<i>11/25/67</i>
PROD.	<i>D. Cook</i>	DATE	<i>11/25/67</i>
FIRST USED ON	D-UA-TMO-0-0		
SCALE	NONE		
SHEET	1	OF	1
digital EQUIPMENT CORPORATION MAYNARD, MASSACHUSETTS		TITLE WIRED ASSEMBLY (TMIO)	
D AD 7005642-0-0		NUMBER	REV.
SHEET 1 OF 1		DIST.	

PARTS LIST		DIGITAL EQUIPMENT CORPORATION MAYNARD, MASSACHUSETTS				REVISIONS		
PART NO.	DRWG. NO.	NO. REQD.	DESCRIPTION ITEM — STOCK SIZE — CAT. NO. — MFG.	DEC. STOCK NO.	CHANGE NO.	DATE	ENG.	
1	D-AD-1943-D-0	5	1943D MTG PANEL ASSY					
2		A/R	CHAIN, VOLTAGE	1202188				
3	REFER TO MDL	REF	WIRE LIST					
4	A-DC-7406370-0-0	A/R	PANEL SCOTCHCAL 1/4 HIGH	7406370				
5		A/R	#24 AWG SOLID TEF YEL					
6		A/R	#24 AWG SOLID KYNAR WHT					
7		A/R	#24 AWG SOLID KYNAR BLU					
MADE BY K. E. WHITE		DATE 9/15/67	TITLE WIRED ASSEMBLY (TM10)		SIZE A	CODE PL	NUMBER 7005642-0-0	REV.
CHECKED D. REILLY		DATE 10/13/67	FOR		ASSY. NO. D-AD-7005642-0-0		SHEET 1 OF 1	
ENG. <i>S. Nevada</i>		DATE 11/27/67						

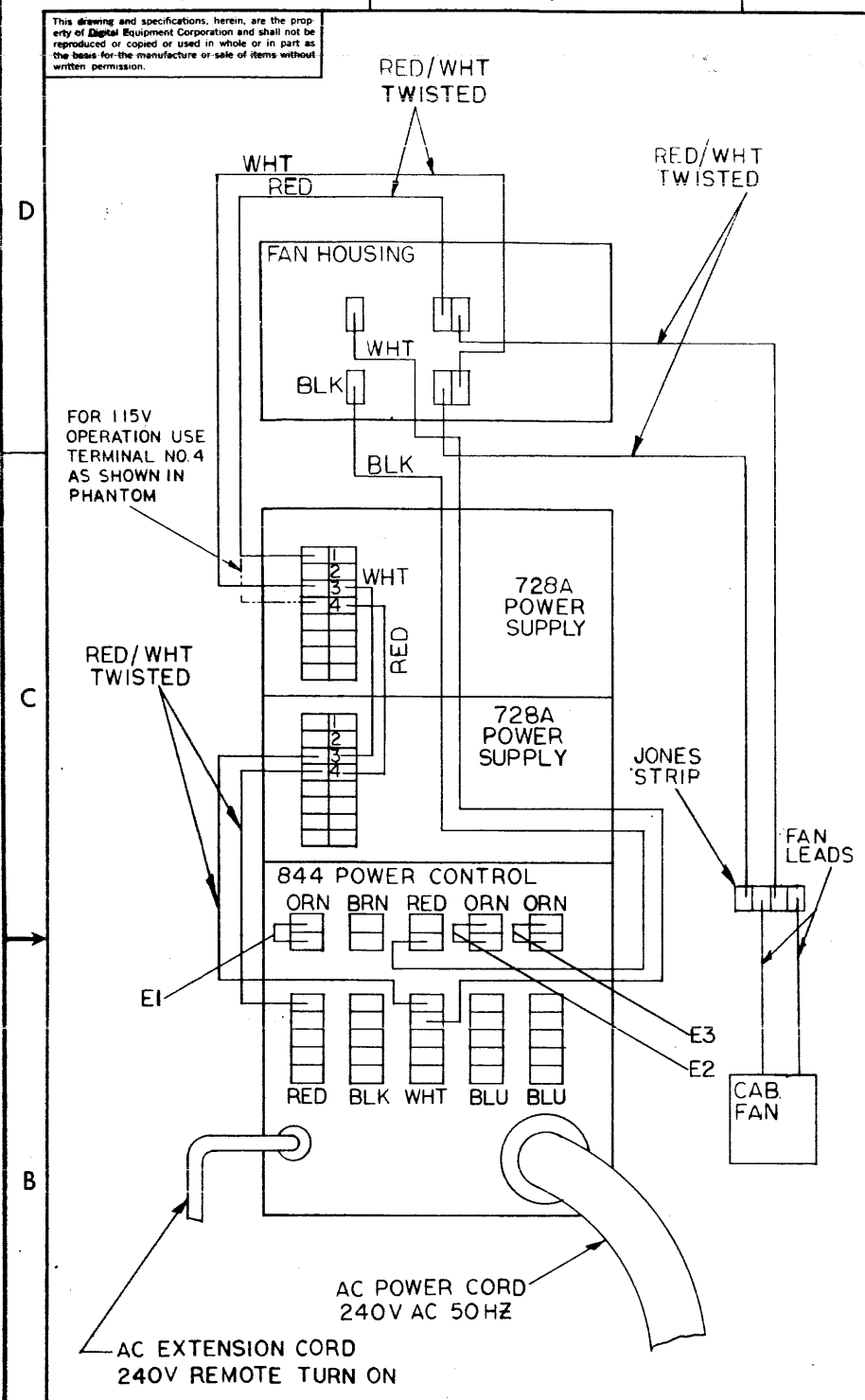
DRWG NO	REV LTR
K-WL-TM10-0-WL	H

REVISIONS			
REV LTR	ECO NO	DATE	ENG
A	00001	8-21-68	ADD
B	00003	9-25-68	ADD
C	TM10A 00004	10-14-68	ADD
D	00006	1/23/69	ADD
E	TM10- 00012	9-18-69	ADD
F	TM10- 00014	1-6-71	ADD
H	TM10- 00016	5-19-71	ADD

<table border="1"> <tr> <td>DRAWN</td> <td>DATE</td> </tr> <tr> <td><i>Ol Puffer</i></td> <td>5-21-68</td> </tr> <tr> <td>CHECKED</td> <td>DATE</td> </tr> <tr> <td><i>Ol Puffer</i></td> <td>5-21-68</td> </tr> <tr> <td>ENG</td> <td>DATE</td> </tr> <tr> <td><i>D Gross</i></td> <td>5/22/68</td> </tr> <tr> <td>PROJ. ENG</td> <td>DATE</td> </tr> <tr> <td><i>D Gross</i></td> <td>5/22/68</td> </tr> <tr> <td>PROD</td> <td>DATE</td> </tr> <tr> <td><i>9 Michels</i></td> <td>5-22-68</td> </tr> </table>	DRAWN	DATE	<i>Ol Puffer</i>	5-21-68	CHECKED	DATE	<i>Ol Puffer</i>	5-21-68	ENG	DATE	<i>D Gross</i>	5/22/68	PROJ. ENG	DATE	<i>D Gross</i>	5/22/68	PROD	DATE	<i>9 Michels</i>	5-22-68		TITLE WIRE LIST TM10
DRAWN	DATE																					
<i>Ol Puffer</i>	5-21-68																					
CHECKED	DATE																					
<i>Ol Puffer</i>	5-21-68																					
ENG	DATE																					
<i>D Gross</i>	5/22/68																					
PROJ. ENG	DATE																					
<i>D Gross</i>	5/22/68																					
PROD	DATE																					
<i>9 Michels</i>	5-22-68																					
ASSY NO	FOR TAPE* FILE*	SIZE CODE DWG. NO.																				
		K WL TM10-0-WL																				
SCALE	SHEET OF	REV LTR																				
		H																				

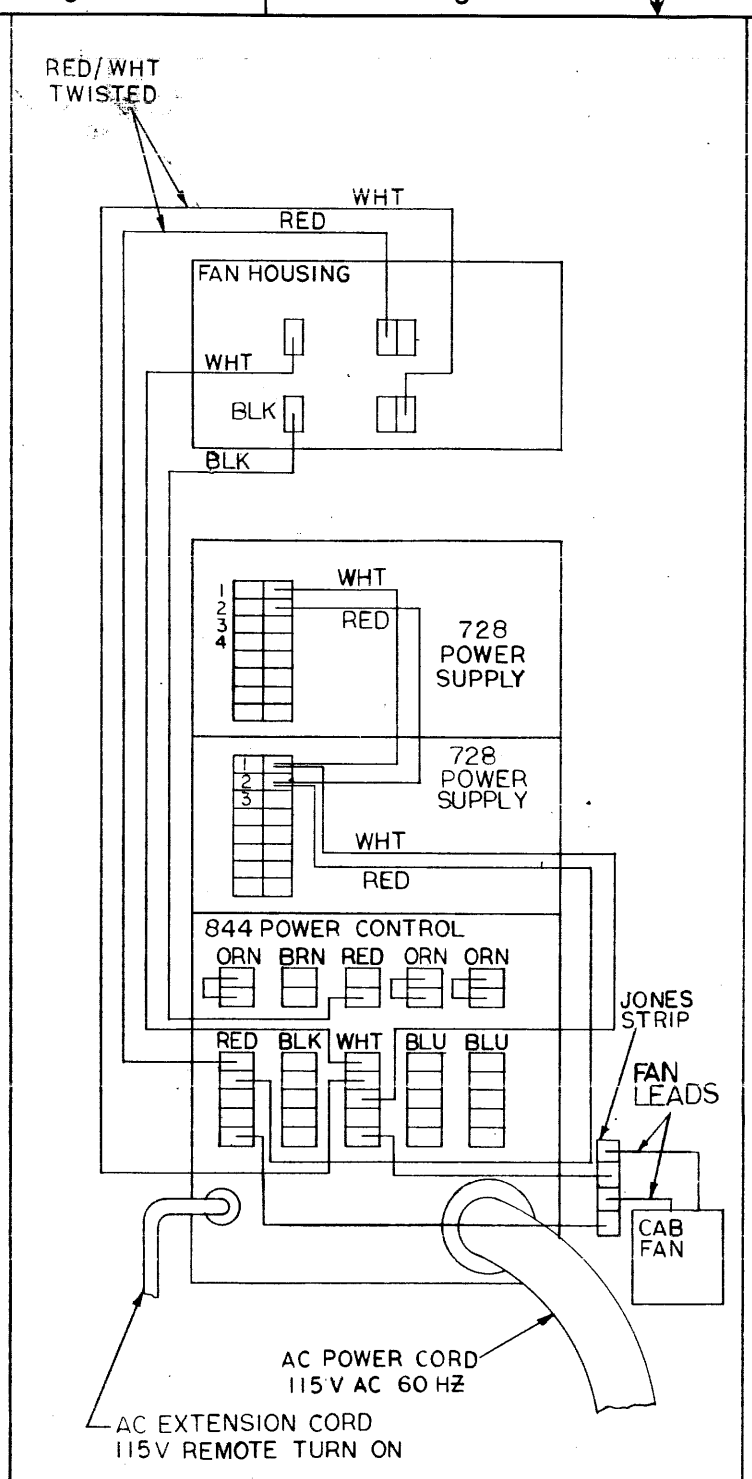
(47)

This drawing and specifications, herein, are the property of Digital Equipment Corporation and shall not be reproduced or copied in whole or in part as the basis for the manufacture or sale of items without written permission.

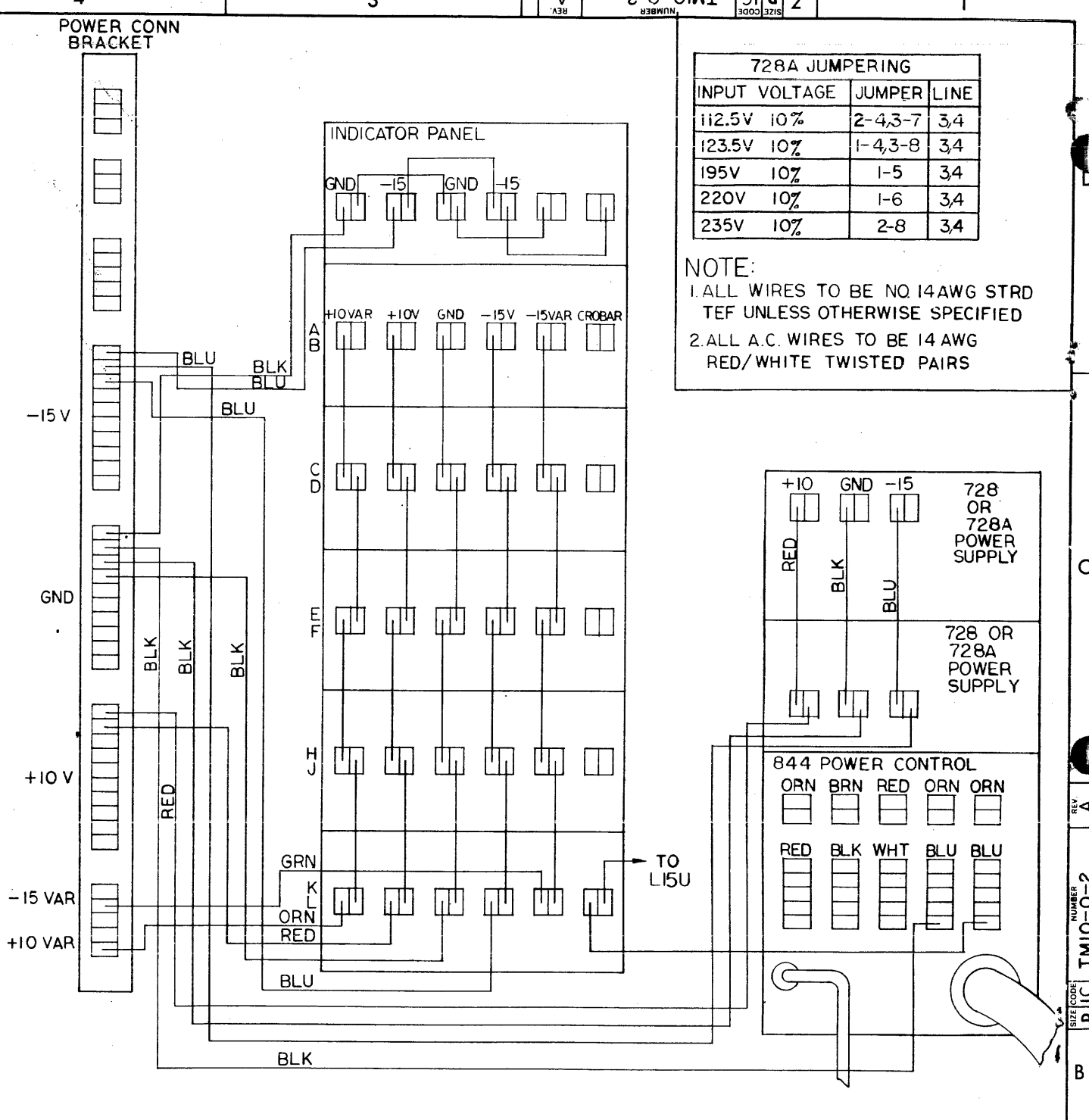


115V OR 230V 50HZ AC WIRING

NOTE:
REMOVE JUMPERS E1, E2 & E3 FROM 844 POWER CONTROL FOR 230V 50 HZ OPERATION



115V 60HZ AC WIRING



50 & 60 HZ DC WIRING

728A JUMPING		
INPUT VOLTAGE	JUMPER	LINE
112.5V 10%	2-4,3-7	3,4
123.5V 10%	1-4,3-8	3,4
195V 10%	1-5	3,4
220V 10%	1-6	3,4
235V 10%	2-8	3,4

NOTE:
1. ALL WIRES TO BE NO. 14AWG STRD TEF UNLESS OTHERWISE SPECIFIED
2. ALL A.C. WIRES TO BE 14 AWG RED/WHITE TWISTED PAIRS

REV	CHG	NO.	DATE
A			
B			
C			
D			
E			
F			
G			
H			
I			
J			
K			
L			
M			
N			
O			
P			
Q			
R			
S			
T			
U			
V			
W			
X			
Y			
Z			

QTY.	DESCRIPTION	PART NO.	ITEM NO.
PARTS LIST			
UNLESS OTHERWISE SPECIFIED			
DIMENSION IN INCHES			
TOLERANCES			
DECIMALS	FRACTIONS	ANGLES	
± .005	± 1/64	± 0°30'	
FINAL SURFACE QUALITY			
REMOVE BURRS AND BREAK SHARP CORNERS			
MATERIAL			
FINISH			
DRN: <i>A.C. White</i> DATE: 11-19-67			
CHK'D: <i>John White</i> DATE: 11-25-67			
ENG: <i>W. H. White</i> DATE: 11-25-67			
PROJ. ENG: <i>A. Gross</i> DATE: 11-25-67			
PROB: <i>A. Gross</i> DATE: 11-25-67			
FIRST USED ON: D-UA-TMIO-0-0			
SCALE: NONE			
SHEET: OF: 1			
TITLE: WIRING, POWER AC & DC		REV. A	
SIZE CODE: D I C		NUMBER: TMIO-0-2	
DIST.			