

"THE MATERIAL HEREIN IS FOR INFORMATION PURPOSES ONLY AND IS SUBJECT TO CHANGE WITHOUT NOTICE. DIGITAL EQUIPMENT CORPORATION ASSUMES NO RESPONSIBILITY FOR ANY ERRORS WHICH MAY APPEAR HEREIN."

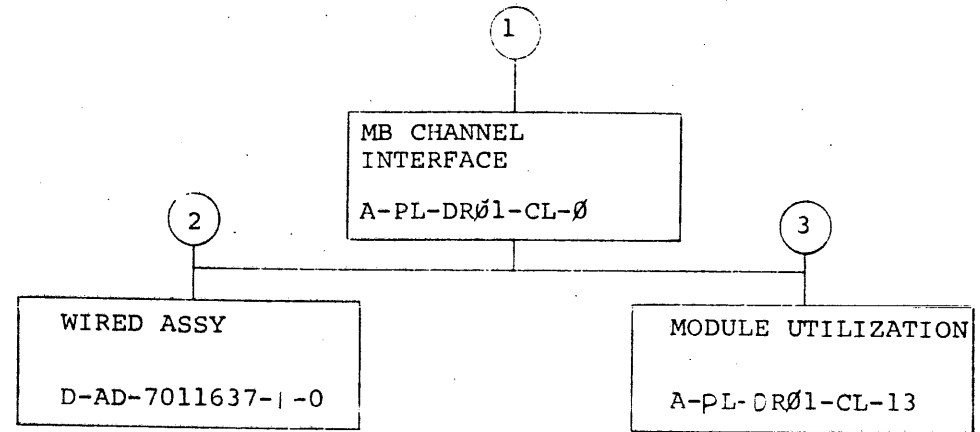
DRAWING DIRECTORY


"THIS DRAWING AND SPECIFICATIONS, HEREIN, ARE THE PROPERTY OF DIGITAL EQUIPMENT CORPORATION AND SHALL NOT BE REPRODUCED OR COPIED OR USED IN WHOLE OR IN PART AS THE BASIS FOR THE MANUFACTURE OR SALE OF ITEMS WITHOUT WRITTEN PERMISSION. COPYRIGHT © 1977 DIGITAL EQUIPMENT CORPORATION."

UNIT VARIATIONS	
VAR	TITLE
DRØ1-CL	MB CHANNEL INTERFACE

REVISIONS	REV.		USED ON OPTION/MODEL	DRN.	DATE	TITLE	digital MB CHANNEL INTERFACE	NUMBER	REV
	CHANGE NO.		DRØ1-CL	<i>D. Olson</i>	12 NOV 77	MB CHANNEL INTERFACE			
	CHK			CHK'D.	DATE				
				<i>C. Hamble</i>	30 DEC 77				
			PROJ. ENG.	DATE	SIZE	CODE	DRØ1-CL		
			PROD.	DATE	B	DD			
			SHEET 1 OF 3	<i>D. ...</i>	3 JAN 78				
				<i>P. ...</i>	5 JAN 78	DIST.			

"THIS DRAWING AND SPECIFICATIONS, HEREIN, ARE THE PROPERTY OF DIGITAL EQUIPMENT CORPORATION AND SHALL NOT BE REPRODUCED OR COPIED OR USED IN WHOLE OR IN PART AS THE BASIS FOR THE MANUFACTURE OR SALE OF ITEMS WITHOUT WRITTEN PERMISSION. 1977
COPYRIGHT © DIGITAL EQUIPMENT CORPORATION"



FIND NO.	DRAWING NO.	DESCRIPTION	TYPE	FIND NO.	DRAWING NO.	DESCRIPTION	TYPE				
1	MP00522	FIELD MAINTENANCE PRINT SET (MP)	-								
	B-TC-DR01-CL-1	FIELD MAINTENANCE PRINT SET (TC)	-								
	A-PL-DR01-CL-0	MB CHANNEL INTERFACE	E/M								
	D-BS-DR01-CL-02	MASS BUS TRANSCEIVERS	E								
	C-IC-DR01-CL-03	STANDARD USER INTERFACE	E								
	C-IC-DR01-CL-04	EXTENDER USER INTERFACE	E								
	D-FD-DR01-CL-05	DR01 DATA FLOW	E								
	D-FD-DR01-CL-06	DR01 REGISTER ORGANIZATION	E								
	D-TD-DR01-CL-07	BYTE MODE READ	E								
	D-TD-DR01-CL-08	BYTE MODE WRITE	E								
	D-TD-DR01-CL-09	WORD MODE	E								
	D-BD-DR01-CL-10	DR01-C STD REGISTERS DEFINITIONS	E								
	D-IC-DR01-CL-11	LINK CONNECTOR 1	E								
	D-IC-DR01-CL-12	LINK CONNECTOR 2	E								
	A-SP-DR01-CL-14	DR01 CHECKOUT PROCEDURE	E								
	A-PL-DR01-CL-15	DR01-CL SHIP LIST	E/M								
2	D-AD-7011637-1-0	WIRED ASSY	M								
	C-SC-1209583-0-0	CASTING	M								
	A-SS-7407846-0-0	DECAL LOGIC SERIAL NUMBER	M								
	A-DC-7411881-0-0	DECAL LOGIC ASSY REVISION	M								
	K-WL-DR70-0-10	WIRE LIST (1170 CHANNEL INTERFACE)	E								
	A-WT-7011637-0	AWT REVISION STATUS SHEET	E								
3	C-MU-DR01-CL-13	MODULE UTILIZATION	E								
	A-PL-DR01-CL-13	MODULE UTILIZATION	E								
	D-CS-M5903-0-1	DRIVE TRANSCEIVER	E								
	D-CS-M8431-YA-1	CONTROL MODULE	E								
	D-CS-M8432-0-1	TEST MODULE	E								
	D-CS-M9760-YA-1	TWISTED PAIR CABLE CONNECTOR	E								
	D-UA-BC06R-0-0	BC06R I/O CABLE	E								
	D-IA-7009563-0-0	POWER HARNESS DAll-F/DD11-B	E								
	D-UA-BC08R-0-0	BC08R I/O CABLE	E								
TYPE: E ELECTRICAL M MECHANICAL E/M ELECTRO/MECHANICAL						TITLE MB CHANNEL INTERFACE		SHEET 3 OF 3	SIZE CODE B DD	NUMBER DR01-CL	REV

DIGITAL EQUIPMENT CORPORATION
MAYNARD, MASSACHUSETTS
PARTS LIST

MADE BY <i>Dr. Gleason</i>	CHECKED <i>E. H. ...</i>	SECTION 1
DATE <i>12 NOV 77</i>	DATE <i>30 DEC 77</i>	ISSUED SECT. 1
ENG <i>D. N. ...</i>	PROD <i>R. ...</i>	
DATE <i>DEC 21/77</i>	DATE <i>5 JAN 78</i>	

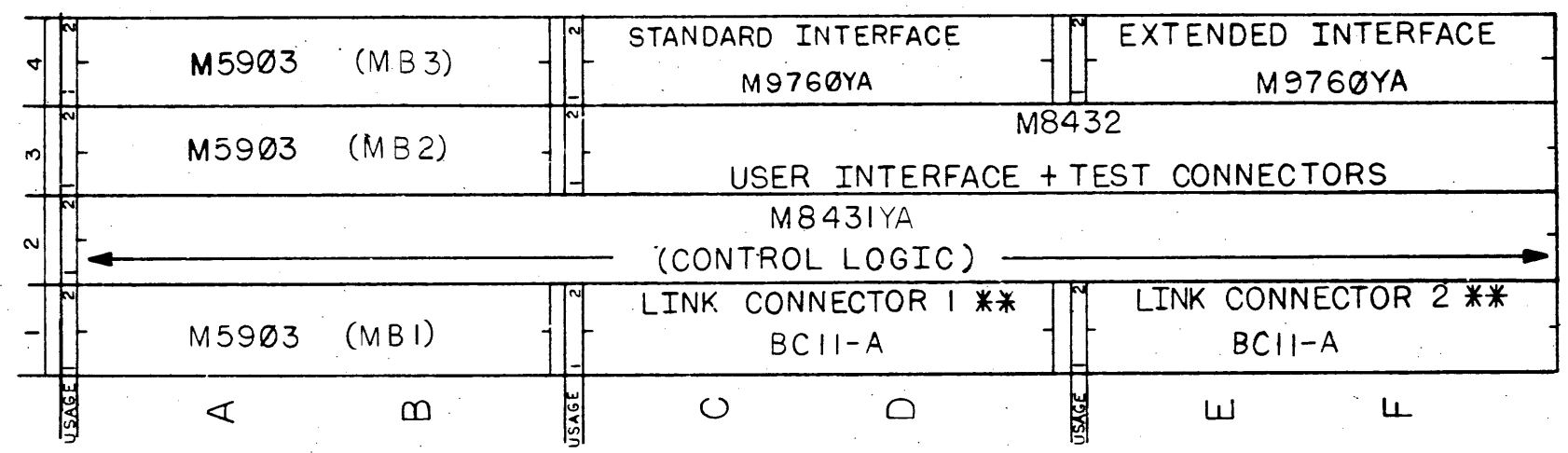
QUANTITY VARIATION

ITEM NO.	DWG NO./PART NO.	DESCRIPTION	DRØ1-CL																							
1	D-AD-7011637-1-0	WIRED ASSY	1																							
2	A-PL-DRØ1-CL-13	MODULE UTILIZATION (PL)	1																							

TITLE	ASSY NO.	SIZE	CODE	NUMBER	REV	ECO NO.
MB CHANNEL INTERFACE	B-DD-DRØ1-CL	A	PL	DRØ1-CL-Ø		
SHEET 1 OF 1		DIST				

"THIS DRAWING AND SPECIFICATIONS, HEREIN, ARE THE PROPERTY OF DIGITAL EQUIPMENT CORPORATION AND SHALL NOT BE REPRODUCED OR COPIED OR USED IN WHOLE OR IN PART AS THE BASIS FOR THE MANUFACTURE OR SALE OF ITEMS WITHOUT WRITTEN PERMISSION. COPYRIGHT © 1977 DIGITAL EQUIPMENT CORPORATION"

NOTE:
 1. ** SLOTS C01, D01, E01 AND F01 ARE INTENDED FOR CONNECTING TWO INTERFACES BACK-TO-BACK. SLOTS C04, D04, E04 AND F04 ARE THE NORMAL USER INTERFACE CONNECTIONS. BCII-A CABLE CONNECTION ARE NOT SUPPLIED WITH THE DR01-CL



REV.	
CHG	
NO.	
REV.	

FIRST USED ON OPTION/MODEL DR01-CL		QTY.	DESCRIPTION	PART NO.	ITEM NO.
DIMENSIONAL TOLERANCE		PARTS LIST			
DIMENSIONS ARE INCHES UNLESS OTHERWISE SPECIFIED		DRN <i>B. E. Olson</i>	DATE 11 OCT 77	digital	
MILLIMETERS INCHES ANGLES		CHK'D <i>D. T. Taylor</i>	DATE 11 OCT 77		
X,XX ±0.10	.XXX ±.005	DATE 21 OCT 77		TITLE MODULE UTILIZATION	
X,X ±0.5	.XX ±.02	DATE 21 OCT 77			
X ±.2	.X ±.1	DATE 5 JAN 78		REV.	
THIRD ANGLE PROJECTION	REMOVE BURRS AND BREAK SHARP CORNERS SURFACE QUALITY ✓	NEXT HIGHER ASSY.		SIZE CODE	NUMBER
	MATERIAL	B-DD-DR01-CL		C MU	DR01-CL-13
	FINISH	SCALE NONE			
		SHEET 1 OF 1		DIST.	

**DIGITAL EQUIPMENT CORPORATION
MAYNARD, MASSACHUSETTS
PARTS LIST**

MADE BY <i>D. Olson</i>	CHECKED <i>C. F. Lundin</i>	SECTION 1
DATE <i>12 NOV 77</i>	DATE <i>30 DEC 77</i>	ISSUED SECT. 1
ENG <i>P. H. T.</i>	PROD <i>R. F.</i>	
DATE <i>11-18-77</i>	DATE <i>5 JAN 78</i>	

QUANTITY VARIATION

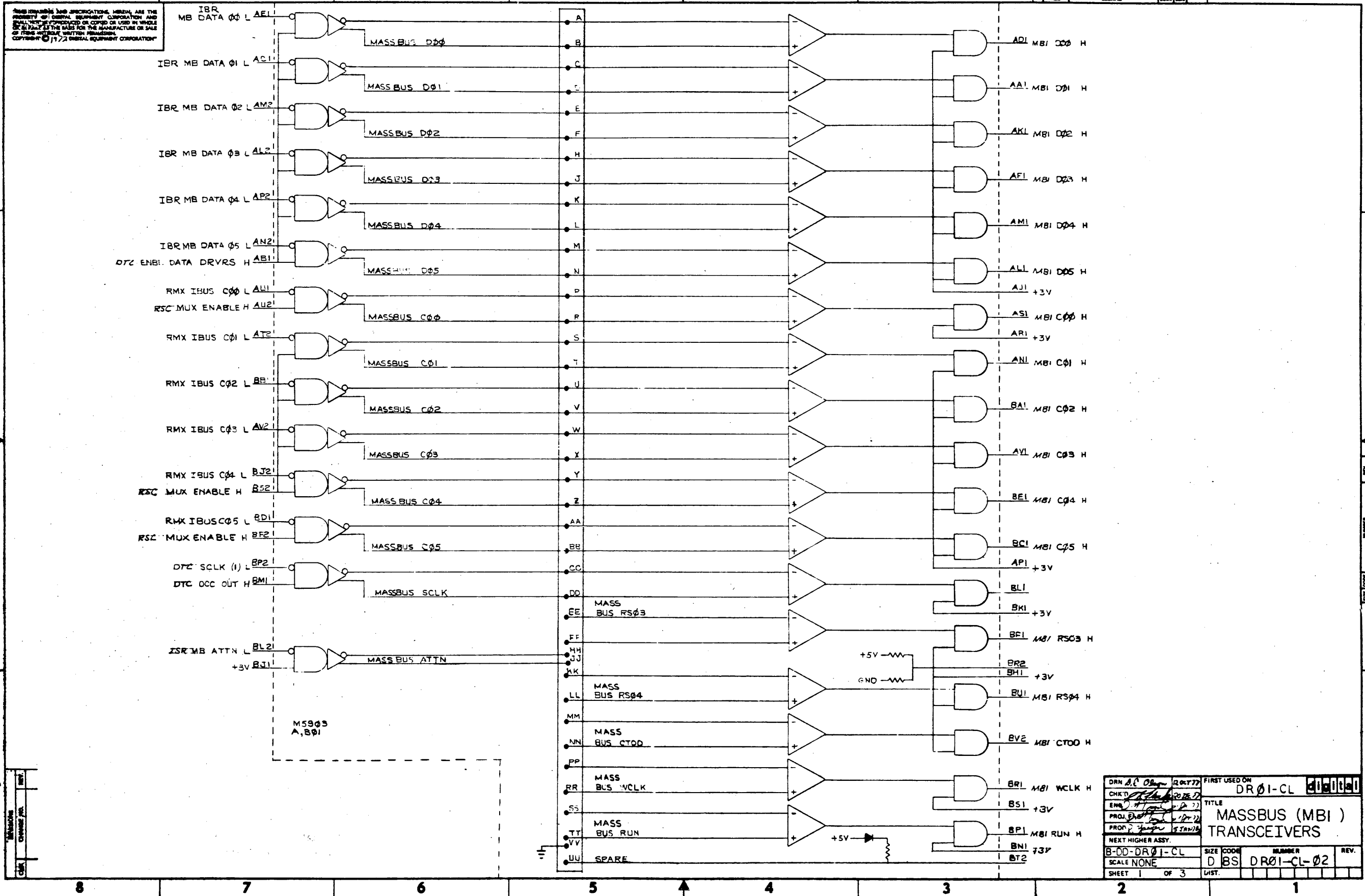
ITEM NO.	DWG NO./PART NO.	DESCRIPTION																						
1	D-CS-M59Ø3-Ø-1	DRIVE TRANSCEIVER	3																					
2	D-CS-M8431-YA-Ø	CONTROL MODULE	1																					
3	D-CS-M8432-Ø-1	TEST MODULE	1																					
4	D-CS-M976Ø-YA-1	TWISTED PAIR CABLE CONNECTOR	2																					
5	D-UA-BCØ6R-2-Ø	BCØ6R I/O CABLE	3																					
6	D-IA-7009563-0-0	POWER HARNESS D11-F/DD11-B	1																					
7	D-UA-BCØ8R-1-Ø	BCØ8R I/O CABLE	1																					

TITLE		ASSY NO.	SIZE	CODE	NUMBER	REV	ECO NO.
MODULE UTILIZATION		C-MU-DRØ1-CL-13	A	PL	DRØ1-CL-13		
SHEET 1 OF 1			DIST				

DEC FORM
DRA 110

THESE DRAWINGS AND SPECIFICATIONS HEREAFTER ARE THE PROPERTY OF ORBITAL EQUIPMENT CORPORATION AND SHALL BE KEPT IN CONFIDENCE OR USED IN WHOLE OR IN PART AS THE BASIS FOR THE MANUFACTURE OR SALE OF ITEMS WITHOUT WRITTEN PERMISSION OF ORBITAL EQUIPMENT CORPORATION
COPYRIGHT © 1977 ORBITAL EQUIPMENT CORPORATION

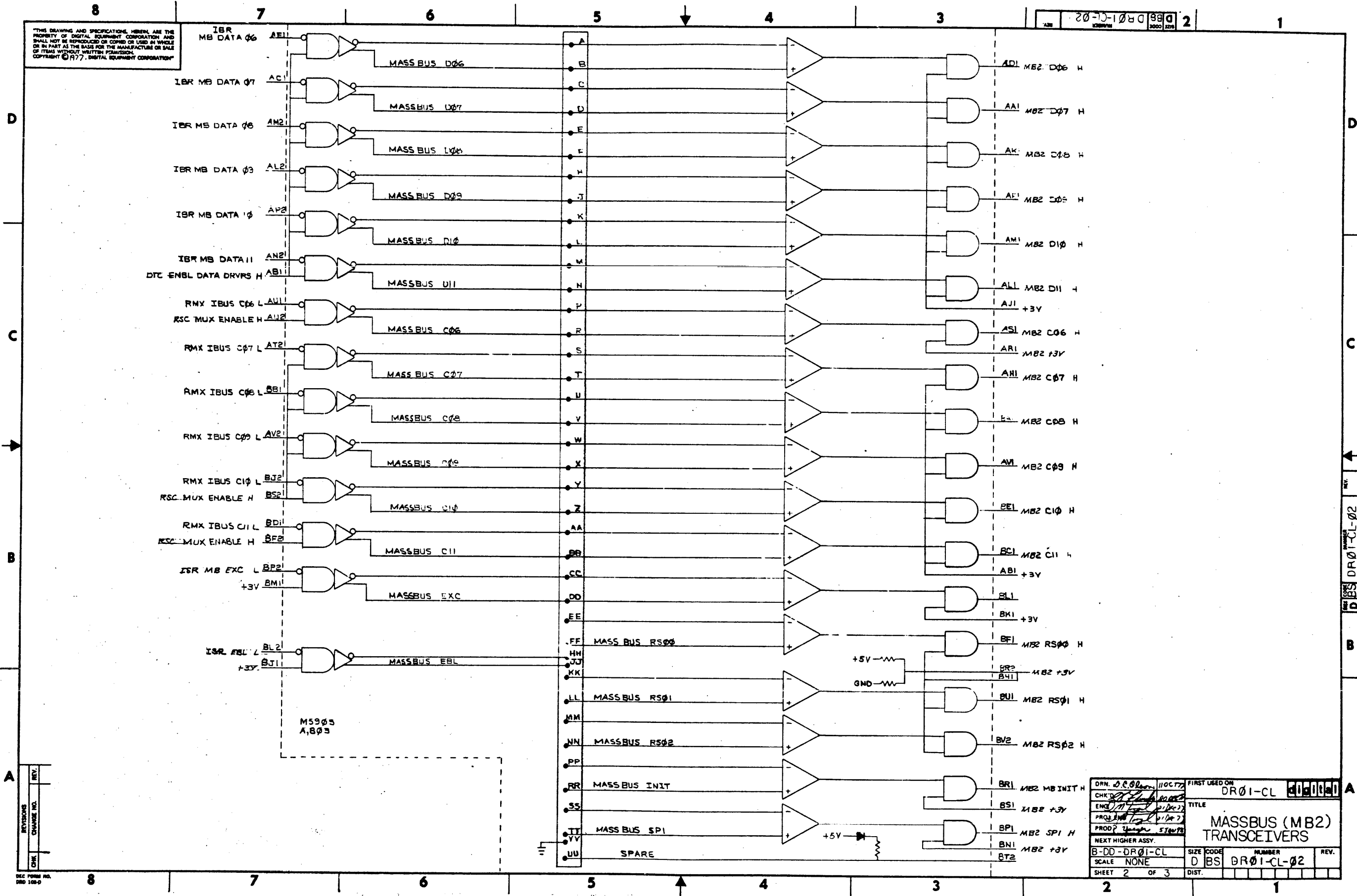
DR01-CL-02 2



DRN <i>D.C. O'Brien</i> 120477	FIRST USED ON	DR01-CL
CHK'D <i>[Signature]</i> 120477	TITLE	MASSBUS (MBI) TRANSCEIVERS
ENGR <i>[Signature]</i> 120477	PROJ ENGR <i>[Signature]</i> 120477	
PROP'D <i>[Signature]</i> 120477	DATE	5 Jan 78
NEXT HIGHER ASSY.		
B-DD-DR01-CL	SIZE CODE	NUMBER
SCALE NONE	D BS DR01-CL-02	REV.
SHEET 1	OF 3	LIST.

REV. 1
CHG 1
DATE

THIS DRAWING AND SPECIFICATIONS HEREIN ARE THE PROPERTY OF DIGITAL EQUIPMENT CORPORATION AND SHALL NOT BE REPRODUCED OR COPIED OR USED IN WHOLE OR IN PART AS THE BASIS FOR THE MANUFACTURE OR SALE OF ITEMS WITHOUT WRITTEN PERMISSION. COPYRIGHT © 1977, DIGITAL EQUIPMENT CORPORATION

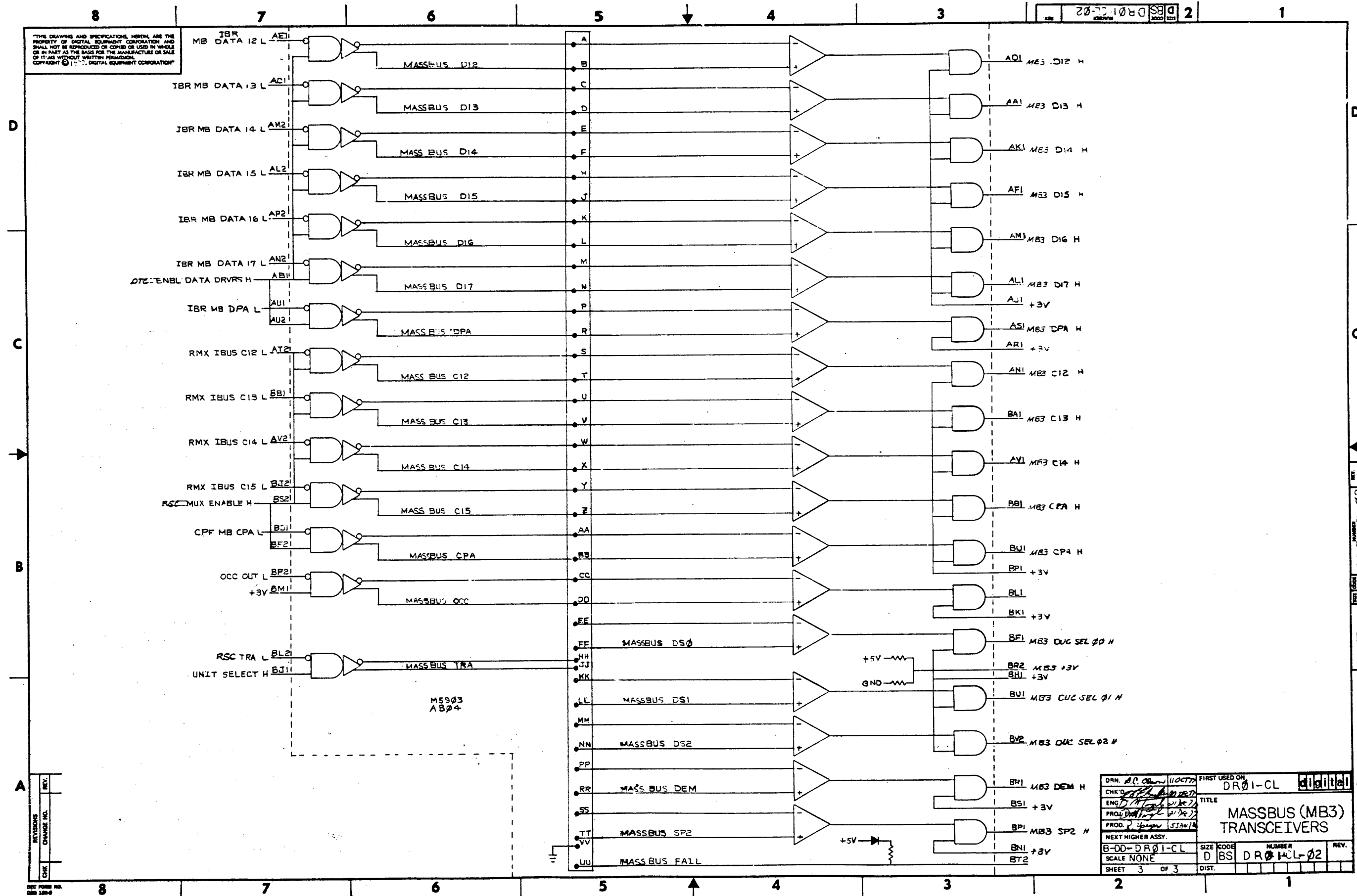


REV.	
CHANGE NO.	
CHK	

DRN. <i>J.C. O'Brien</i>	11/01/77	FIRST USED ON	DR01-CL
CHK. <i>[Signature]</i>		TITLE	MASSBUS (MB2) TRANSCEIVERS
ENG. <i>[Signature]</i>		PROJECT	<i>[Signature]</i>
PROJ. MGR. <i>[Signature]</i>		NEXT HIGHER ASSY.	
B-DD-DR01-CL		SIZE	CODE
SCALE NONE		D	BS
SHEET 2 OF 3		NUMBER	DR01-CL-02
		DIST.	

REV. 1
D BS DR01-CL-02

THIS DRAWING AND SPECIFICATIONS HEREIN ARE THE PROPERTY OF DIGITAL EQUIPMENT CORPORATION AND SHALL NOT BE REPRODUCED OR COPIED OR USED IN WHOLE OR IN PART AS THE BASIS FOR THE MANUFACTURE OR SALE OF IT AS WITHOUT WRITTEN PERMISSION. COPYRIGHT © 1977, DIGITAL EQUIPMENT CORPORATION

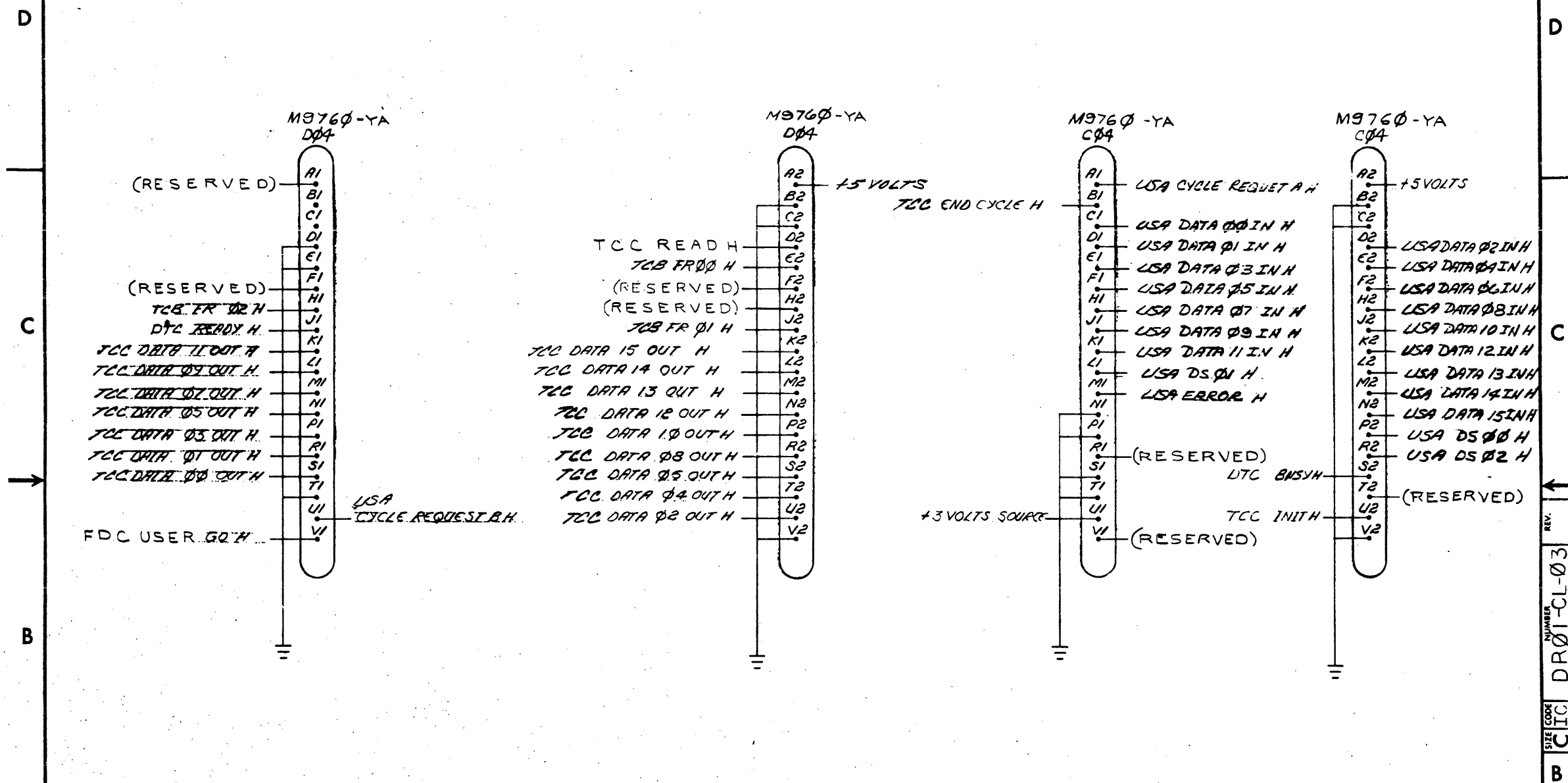


REV.	
CHG.	
CHG.	
CHG.	

DRN. <i>P. C. Chan</i>	11 OCT 77	FIRST USED ON	DR01-CL	digital
CHK'D. <i>[Signature]</i>		TITLE	MASSBUS (MB3) TRANSCIVERS	
ENG'D. <i>[Signature]</i>		SIZE	D	BS
PROJ. <i>[Signature]</i>		NUMBER	DR01-CL-02	
PROD. <i>[Signature]</i>		SCALE	NONE	
NEXT HIGHER ASSY.		SHEET	3	OF 3
		DIST.		

"THIS DRAWING AND SPECIFICATIONS, HEREIN, ARE THE PROPERTY OF DIGITAL EQUIPMENT CORPORATION AND SHALL NOT BE REPRODUCED OR COPIED OR USED IN WHOLE OR IN PART AS THE BASIS FOR THE MANUFACTURE OR SALE OF ITEMS WITHOUT WRITTEN PERMISSION. COPYRIGHT © 1977 DIGITAL EQUIPMENT CORPORATION"

NOTE:
RESERVED PINS CORRESPOND TO DR11-B SPECIFIC SIGNAL LINES.



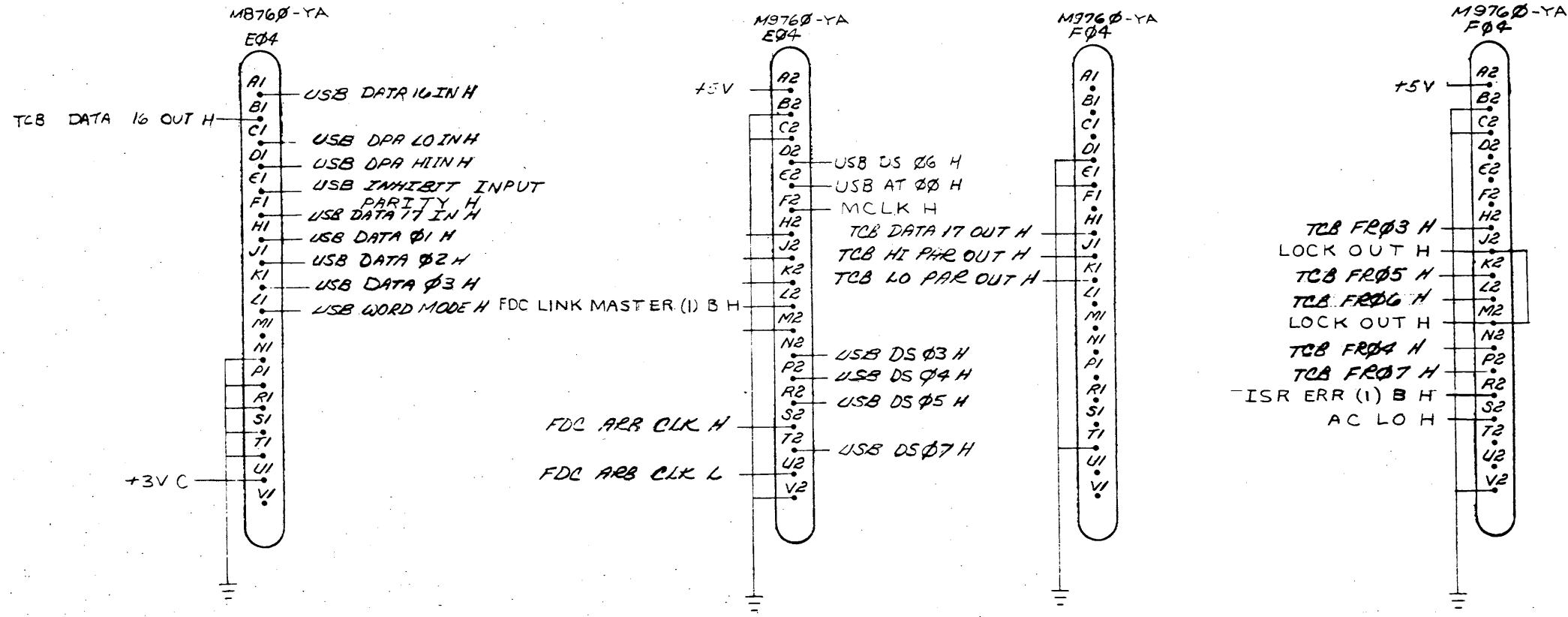
REV.	
CHANGE NO.	
CHK	

FIRST USED ON OPTION/MODEL		QTY.	DESCRIPTION	PART NO.	ITEM NO.
DR01-CL					
DIMENSIONAL TOLERANCE		PARTS LIST			
DIMENSIONS ARE IN MILLIMETERS IN INCHES UNLESS OTHERWISE SPECIFIED		DRN. <i>S.P. Olson</i>	DATE 11 OCT 77	digital	
		CHK'D <i>[Signature]</i>	DATE 30 SEP 77		
		<i>D.M. [Signature]</i>	DATE 20 SEP 77		
		<i>R. Yeager</i>	DATE 5 JAN 78		
MILLIMETERS	INCHES	ANGLES	TITLE		
X,XX ±0.10	JOXX ±.006	±0° 30'	STANDARD (USA)		
X,X ±0.5	JOX ±.02		USER INTERFACE		
X ±2	X ±.1		NUMBER		
THIRD ANGLE PROJECTION	REMOVE BURRS AND BREAK SHARP CORNERS SURFACE QUALITY ✓	NEXT HIGHER ASSY.	SIZE CODE	C I C	DR01-CL-03
	MATERIAL				REV.
	FINISH				
			SCALE NONE		
			SHEET 1 OF 1	DIST.	

REV. NUMBER DR01-CL-03

SEE FORM 111

"THIS DRAWING AND SPECIFICATIONS, HEREIN, ARE THE PROPERTY OF DIGITAL EQUIPMENT CORPORATION AND SHALL NOT BE REPRODUCED OR COPIED OR USED IN WHOLE OR IN PART AS THE BASIS FOR THE MANUFACTURE OR SALE OF ITEMS WITHOUT WRITTEN PERMISSION. COPYRIGHT © 1977 DIGITAL EQUIPMENT CORPORATION"

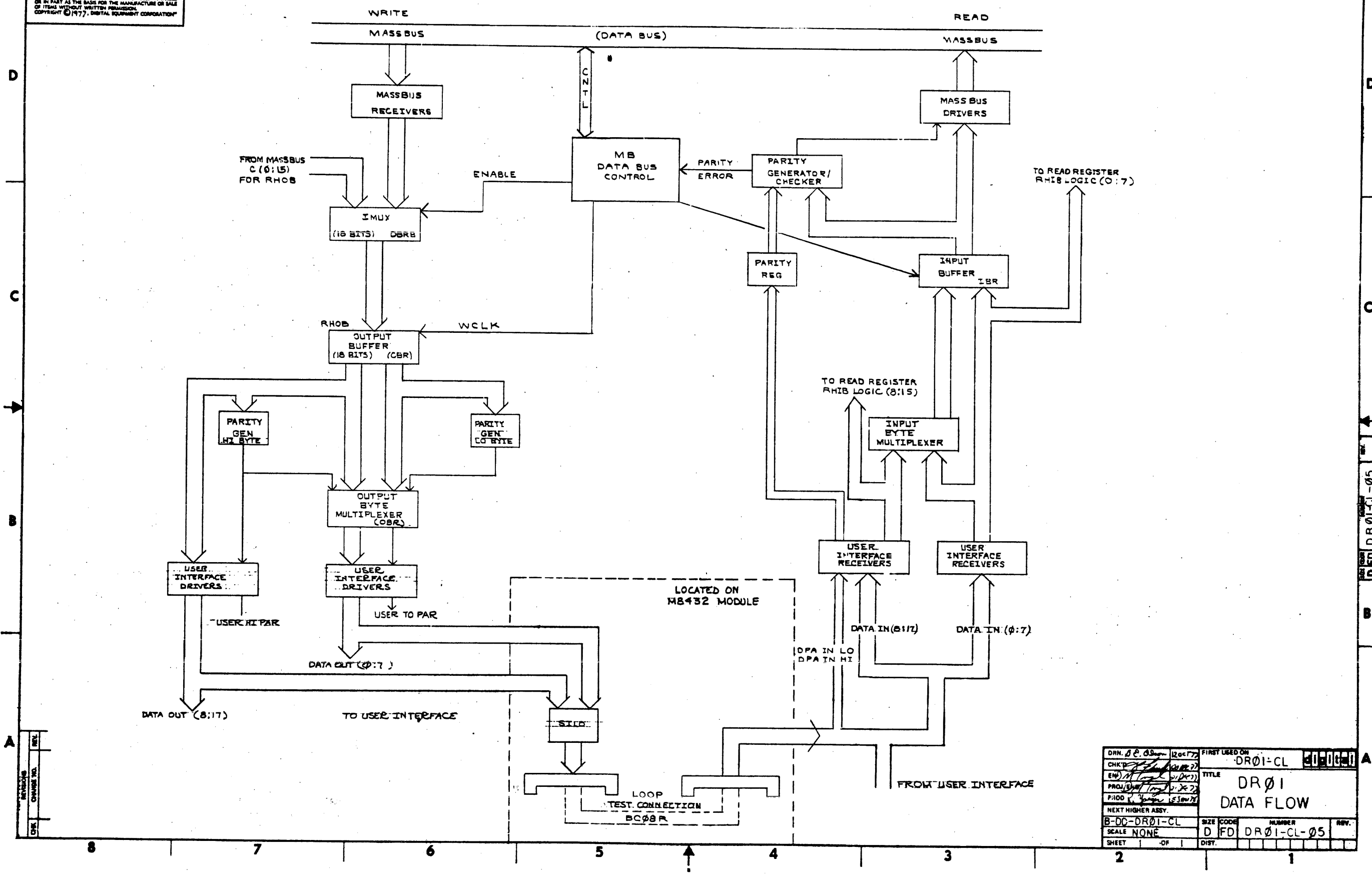


REV.	
CHANGE NO.	
CHK	

FIRST USED ON OPTION/MODEL			QTY.	DESCRIPTION	PART NO.	ITEM NO.
DR01-CL						
DIMENSIONAL TOLERANCE			PARTS LIST			
DIMENSIONS ARE MILLIMETERS INCHES UNLESS OTHERWISE SPECIFIED			DRN. <i>B. P. Olson</i>	DATE 11/23/77	digital	
			CHK'D. <i>[Signature]</i>	DATE 2/28/77		
			<i>D.M. Tong</i>	DATE 2/1/77		
			<i>D.M. Tong</i>	DATE 2/1/77		
MILLIMETERS	INCHES	ANGLES	DATE 5/1/78		TITLE	
X,XX ±0.10	XXX ±0.005	30° 30'			EXTENDED (USB) USER INTERFACE	
X,X ±0.5	XX ±0.02					
X ±2	X ±1					
THIRD ANGLE PROJECTION	REMOVE BURRS AND BREAK SHARP CORNERS SURFACE QUALITY ✓	NEXT HIGHER ASSY.				
	MATERIAL	B-DD-DR01-CL		SIZE CODE	NUMBER	REV.
	FINISH	SCALE NONE		CIC	DR01-CL-04	
		SHEET 1 OF 1		DIST.		

REV. NUMBER
CIC DR01-CL-04

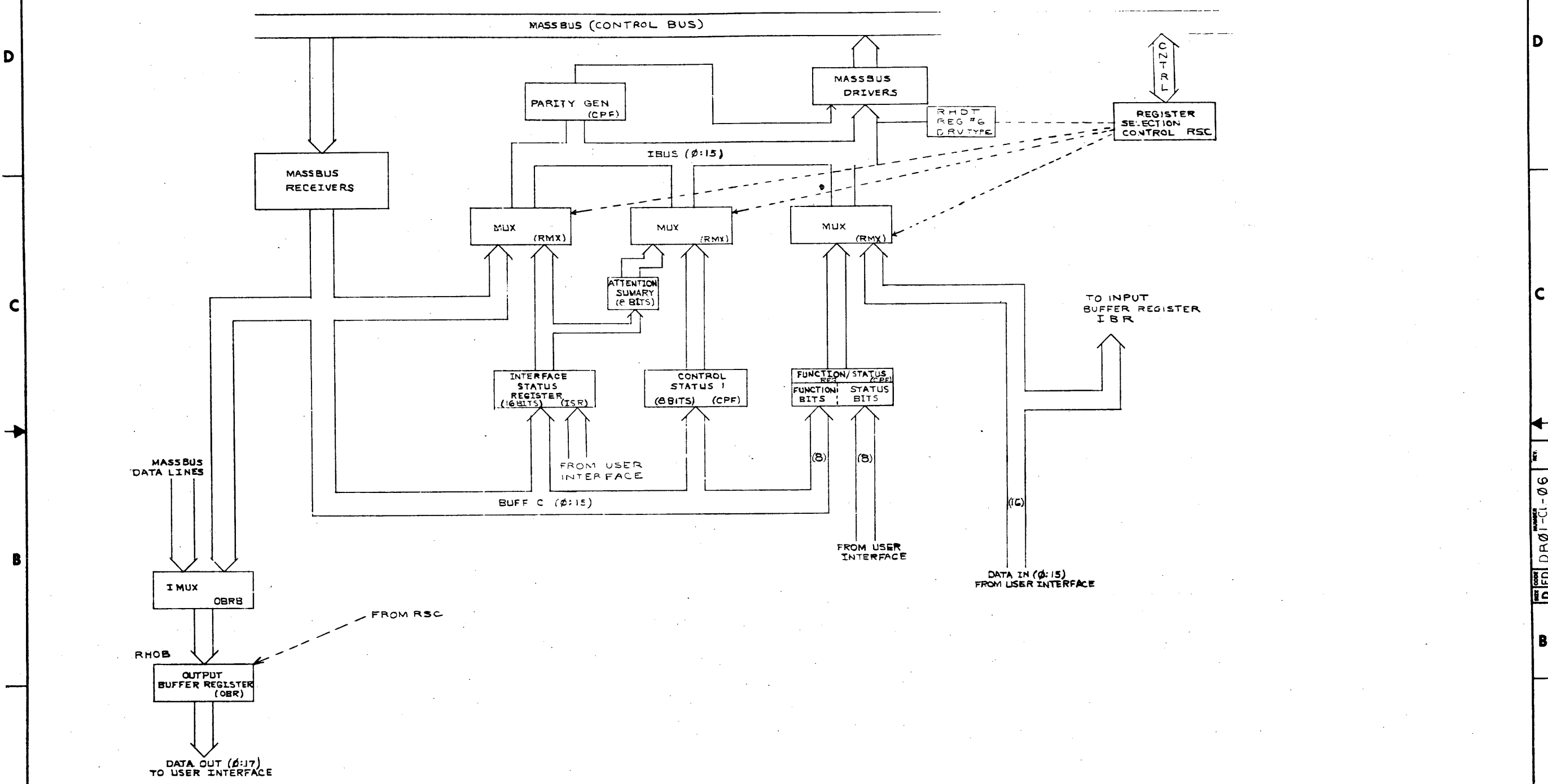
THIS DRAWING AND SPECIFICATIONS HEREIN ARE THE PROPERTY OF DIGITAL EQUIPMENT CORPORATION AND SHALL NOT BE REPRODUCED OR COPIED OR USED IN WHOLE OR IN PART AS THE BASIS FOR THE MANUFACTURE OR SALE OF ITEMS WITHOUT WRITTEN PERMISSION. COPYRIGHT © 1977, DIGITAL EQUIPMENT CORPORATION



DRN. 80-00	120477	FIRST USED ON	DR01-CL	40-00-00
CHK	120477	TITLE	DR01 DATA FLOW	
ENR	120477	PROJ/ENR	120477	
PROD	120477	PROJ/PROD	120477	
NEXT HIGHER ASSY.				
B-DD-DR01-CL	SIZE	CODE	NUMBER	REV.
SCALE NONE	D	FD	DR01-CL-05	
SHEET	OF	DIST.		

THIS DRAWING AND SPECIFICATIONS HEREIN ARE THE PROPERTY OF DIGITAL EQUIPMENT CORPORATION AND SHALL NOT BE REPRODUCED OR COPIED OR USED IN WHOLE OR IN PART AS THE BASIS FOR THE MANUFACTURE OR SALE OF ITEMS WITHOUT WRITTEN PERMISSION. COPYRIGHT © 1977 DIGITAL EQUIPMENT CORPORATION

90-70-080 2

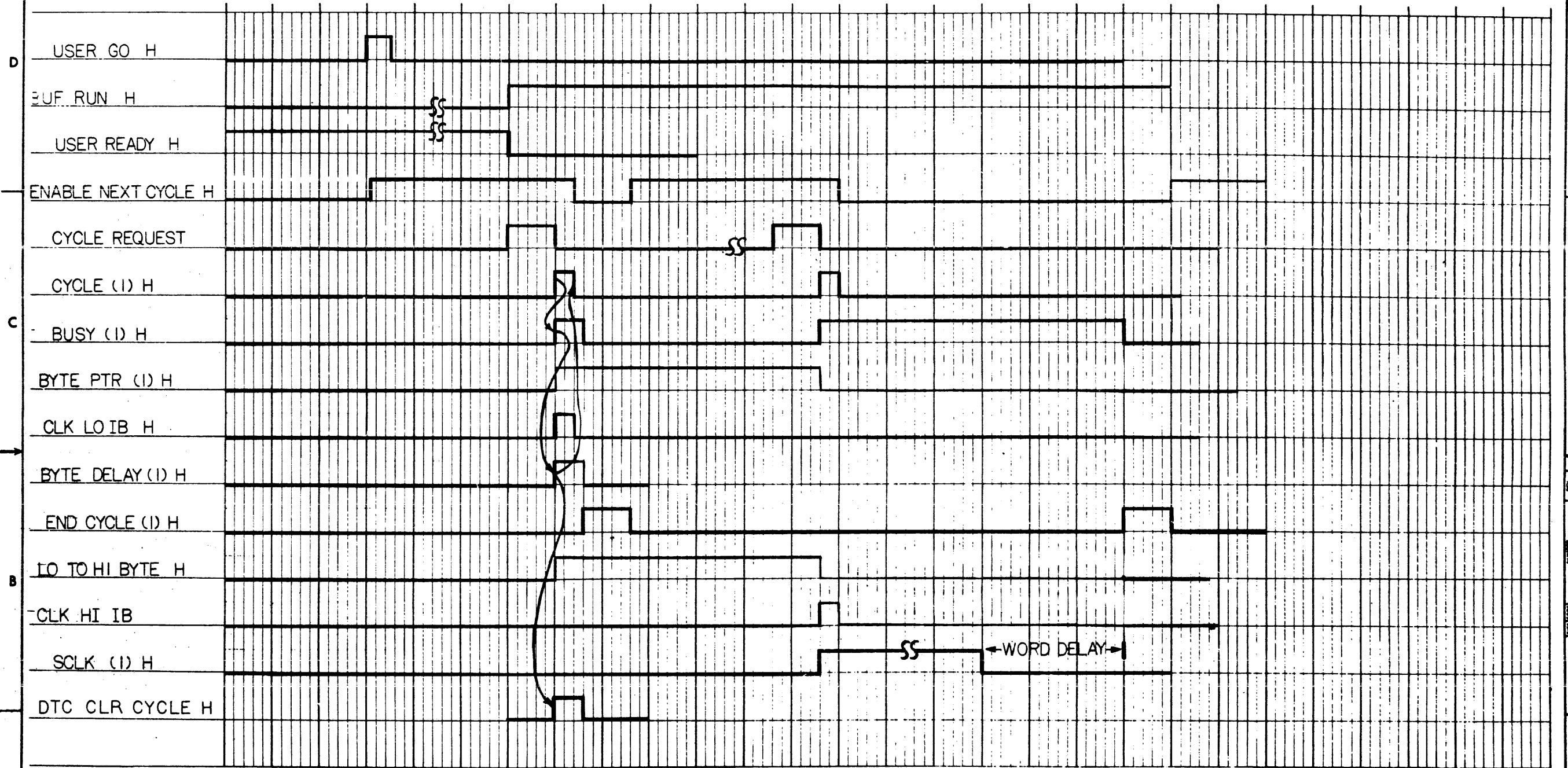


REV.	
CHANGE NO.	
DATE	

DRN. <i>J.C. Jones</i>	ROC. <i>J.C. Jones</i>	FIRST USED ON	DR01-CL
CHK'D. <i>J.C. Jones</i>	DESIGN. <i>J.C. Jones</i>	TITLE	DR01 REGISTER ORGANIZATION
ENG. <i>J.C. Jones</i>	DATE <i>10/1/77</i>	SIZE	D FD
PROD. <i>J.C. Jones</i>	DATE <i>10/1/77</i>	NUMBER	DR01-CL-06
PROD. <i>J.C. Jones</i>	DATE <i>10/1/77</i>	REV.	
NEXT HIGHER ASSY.		SCALE	NONE
B-00-DR01-CL		DIST.	
SHEET	OF		

REV. 1
DATE 10/1/77
D FD
DR01-CL-06

This drawing and specifications, herein, are the property of Digital Equipment Corporation and shall not be reproduced or copied in whole or in part in any form for the manufacturing or sale of items without written permission. 1977



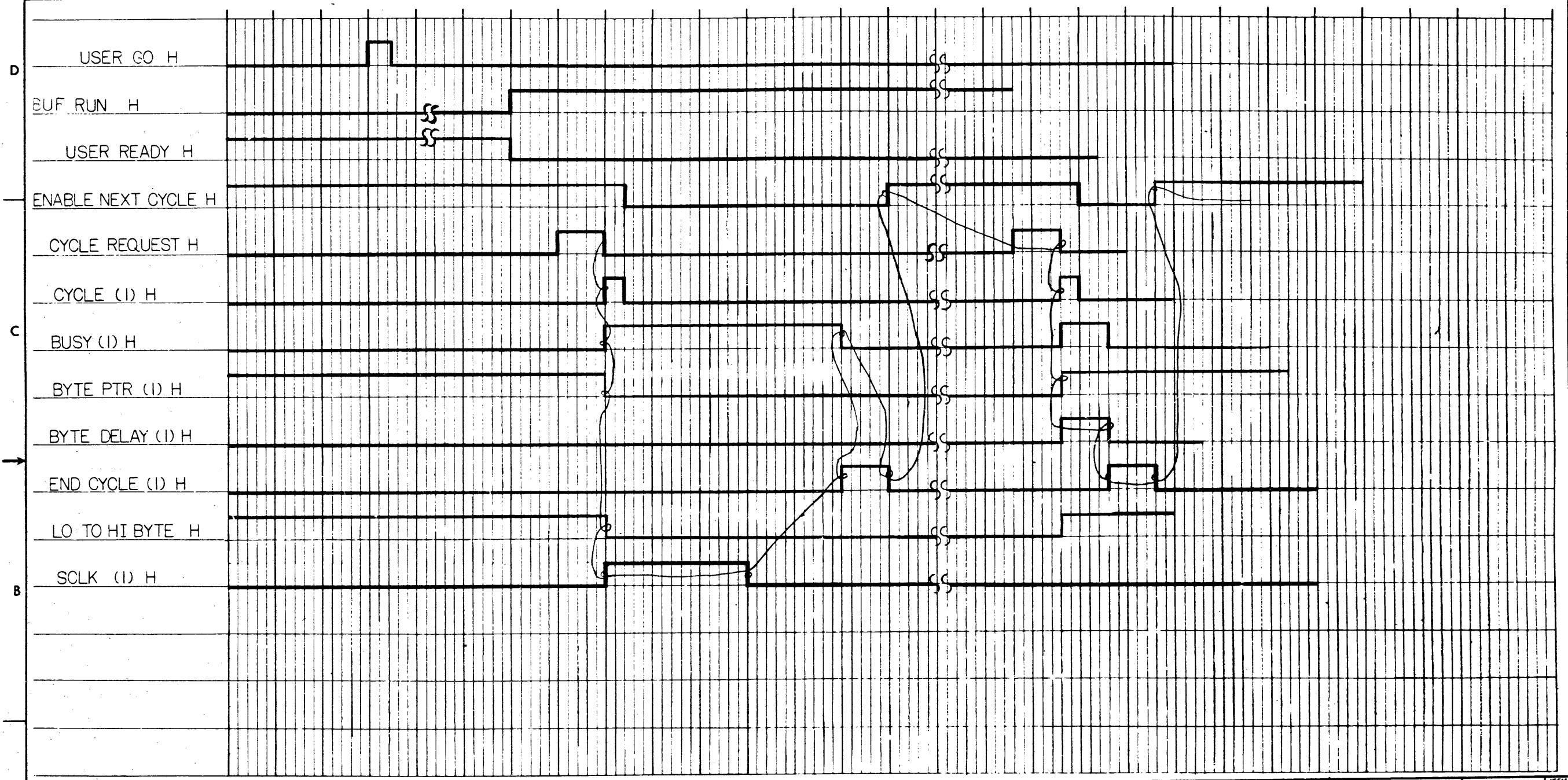
LO BYTE HI BYTE

REV.	
CHANGE NO.	
REV.	

FIRST USED ON OPTION/MODEL DRØ1-CL	QTY.	DESCRIPTION	PART NO.	ITEM NO.
PARTS LIST				
UNLESS OTHERWISE SPECIFIED DIMENSION IN INCHES TOLERANCES	DRAWN D. P. O'Brien	DATE 20 OCT 77	EQUIPMENT CORPORATION	
DECIMALS	ANGLES	CHECKED D. M. T. [Signature]	DATE 11/28/77	TITLE BYTE MODE READ
.XXX - .000	± 0° 30'	DRAWN D. M. T. [Signature]	DATE 11/28/77	
.XX - .00		CHECKED R. J. [Signature]	DATE 5/31/78	
.X - .0				
REMOVE BURRS AND BREAK SHARP CORNERS SURFACE QUALITY				
MATERIAL + +	NEXT HIGHER ASSY.			
FINISH + +	B-DD-DRØ1-CL	SIZE CODE	NUMBER DITD DRØ1-CL-Ø7	REV.
	SCALE NONE			
	SHEET OF			

DRØ1-CL-Ø7

This drawing and specifications, herein, are the property of Digital Equipment Corporation and shall not be reproduced or copied in whole or in part in any form for the manufacture of any of items without written permission. 1977

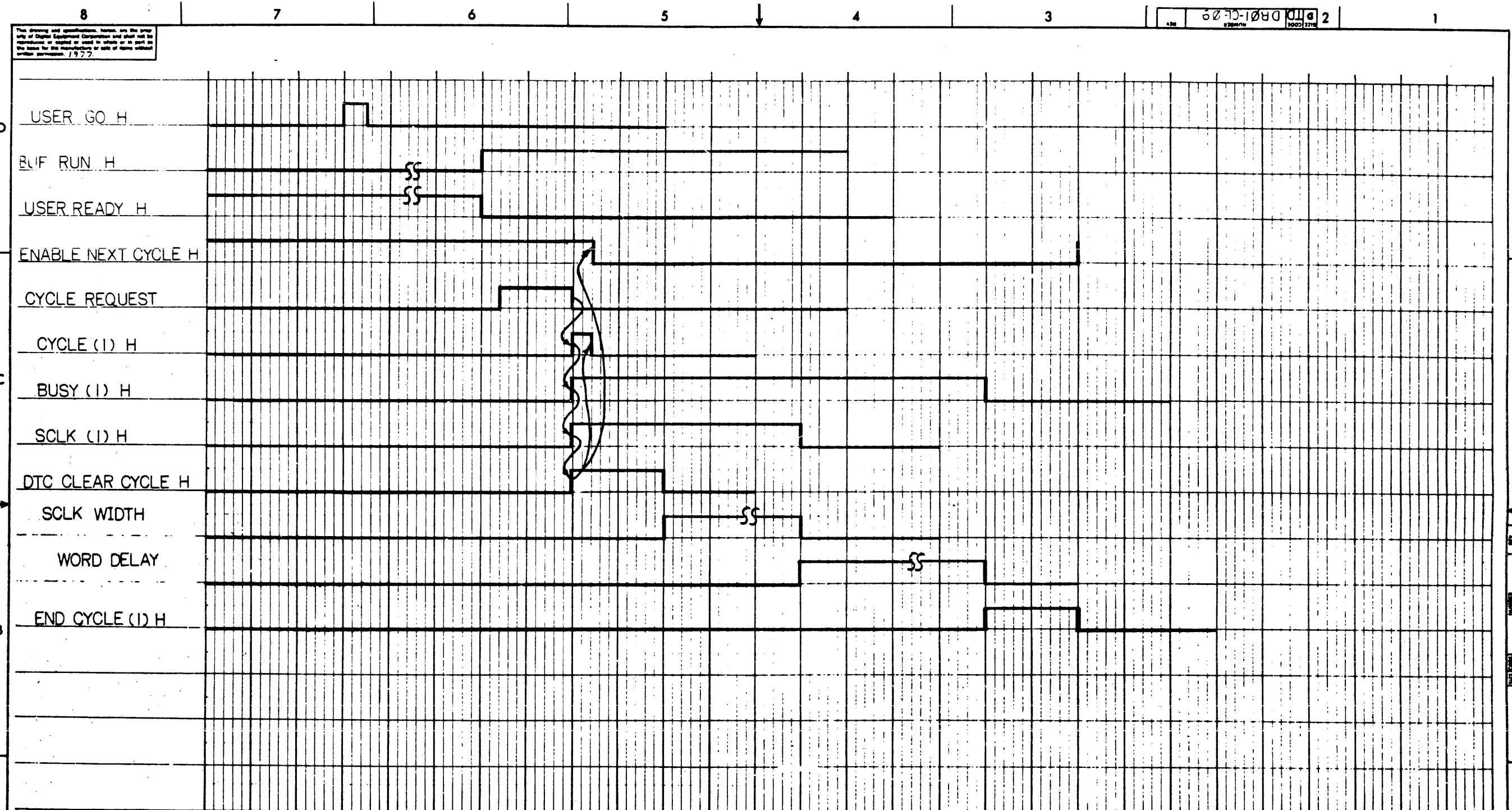


LO BYTE HI BYTE

REV	
CHANGE NO	
CHK	

FIRST USED ON OPTION/MODEL	QTY.	DESCRIPTION	PART NO.	ITEM NO.																
DR01-CL																				
UNLESS OTHERWISE SPECIFIED DIMENSION IN INCHES																				
TOLERANCES																				
DECIMALS	ANGLES	TITLE																		
XXX - 006	±0°30'	BYTE MODE WRITE																		
XX - 02		PARTS LIST																		
X - 1		<table border="1"> <tr> <td>DRN.</td> <td>D.P. O'Brien</td> <td>DATE</td> <td>11 OCT 77</td> </tr> <tr> <td>CHK'D</td> <td>S. J. ...</td> <td>DATE</td> <td>...</td> </tr> <tr> <td>DATE</td> <td>...</td> <td>DATE</td> <td>...</td> </tr> <tr> <td>DATE</td> <td>...</td> <td>DATE</td> <td>...</td> </tr> </table>			DRN.	D.P. O'Brien	DATE	11 OCT 77	CHK'D	S. J. ...	DATE	...	DATE	...	DATE	...	DATE	...	DATE	...
DRN.	D.P. O'Brien	DATE	11 OCT 77																	
CHK'D	S. J. ...	DATE	...																	
DATE	...	DATE	...																	
DATE	...	DATE	...																	
REMOVE BURRS AND BREAK SH. RP CORNERS SURFACE QUALITY																				
MATERIAL																				
NEXT HIGHER ASSY.																				
B-DD-DR01-CL																				
SCALE NONE																				
SHEET OF DIST																				
SIZE CODE NUMBER REV.																				
DITD DR01-CL-03																				

REV
DITD DR01-CL-08



NOTES:
 1. DATA STROBED BY INTERFACE ↑ (READ).
 2. DATA ACCEPTED FROM MASSBUS (WRITE) ↓

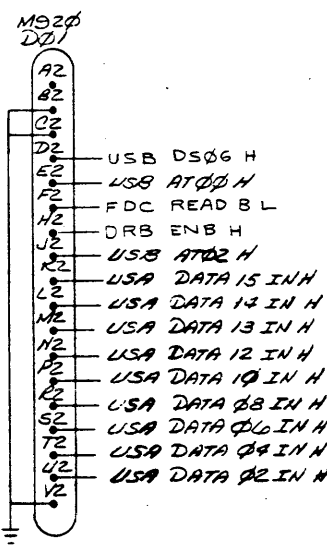
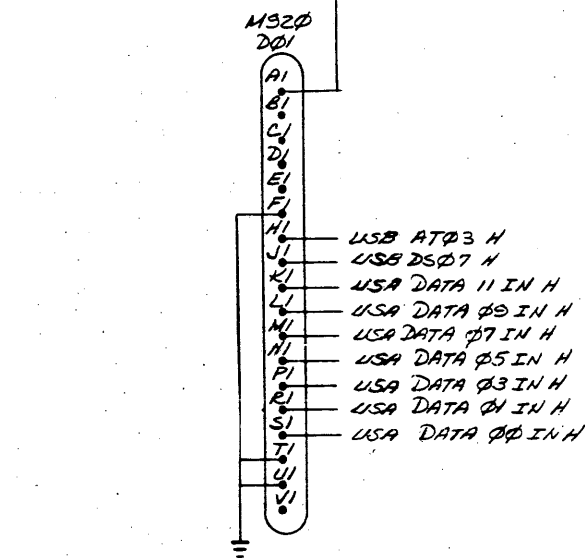
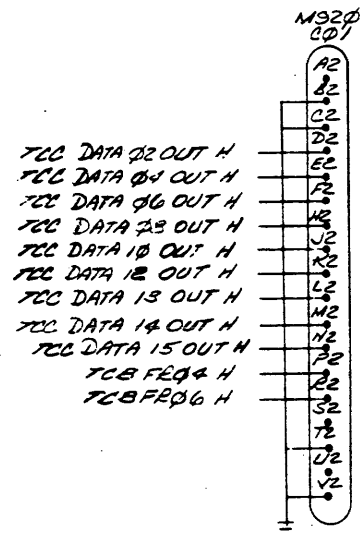
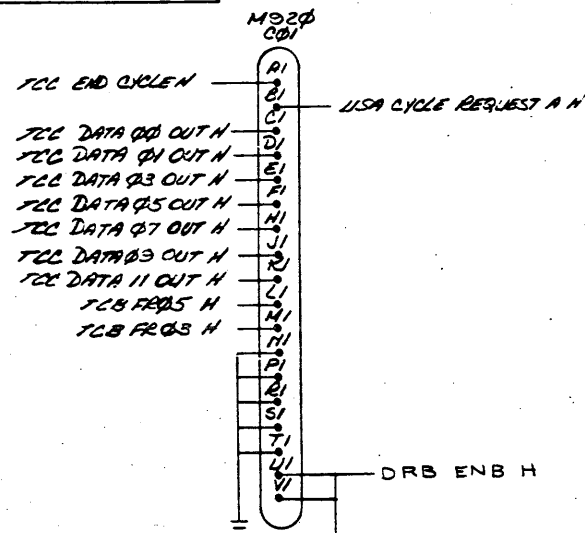
REV	
CHG	

FIRST USED ON OPTION/MODEL DRØ1-CL		QTY.	DESCRIPTION	PART NO.	ITEM NO.
UNLESS OTHERWISE SPECIFIED DIMENSION IN INCHES TOLERANCES		DRILL <i>D.R. Olson</i>	DATE FLOCT 77	PARTS LIST	
DECIMALS XXX = .008 XX = .02 X = .1	ANGLES 16° 30'	CHK'D <i>D.M. Torgal</i>	DATE 5/22/77	TITLE WORD MODE DRØ1 TIMING	
REMOVE BURRS AND BREAK SHARP CORNERS SURFACE QUALITY ✓		<i>P. Yarnes</i>	DATE 5/26/77	MEMBER DITD DRØ1-CL-Ø9	
MATERIAL		NEXT HIGHER ASSY.		SIZE CODE	REV.
FINISH		B-00-DRØ1-CL		SCALE NONE	SHEET OF

PART NO. DRØ1-CL-Ø9

THIS DRAWING AND SPECIFICATIONS HEREIN ARE THE PROPERTY OF DIGITAL EQUIPMENT CORPORATION AND SHALL NOT BE REPRODUCED OR COPIED OR USED IN WHOLE OR IN PART AS THE BASIS FOR THE MANUFACTURE OR SALE OF ITEMS WITHOUT WRITTEN PERMISSION. COPYRIGHT © 1977 DIGITAL EQUIPMENT CORPORATION.

11-70-1080 DTC DRØ1-CL-11 2



DTC DRØ1-CL-11

REV.	NO.	DATE	BY	CHK.

FIRST USED ON OPTION/MODEL DRØ1-CL	QTY.	DESCRIPTION	PART NO.	ITEM NO.
PARTS LIST				
UNLESS OTHERWISE SPECIFIED DIMENSION IN INCHES	DAN B.C. Olson	DATE 11 OCT 77	digital EQUIPMENT CORPORATION MAYFIELD MASSACHUSETTS	
TOLERANCES	CHK'D D.H. Taylor	DATE 2/2/77	TITLE LINK (LKA) CONNECTOR	
DECIMALS .006	ANGLES 50° 30'	D.M. Taylor	DATE 5/7/77	
.XX -.02		R. Young	DATE 5/7/77	
REMOVE BURRS AND BREAK SHARP CORNERS SURFACE QUALITY V	NEXT HIGHER ASSY.			
MATERIAL	B-DD-DCØ1-CL		SIZE CODE DTC	NUMBER DRØ1-CL-11
FINISH	SCALE		DIST.	REV.
	SHEET 1 OF 1			

THIS DRAWING AND SPECIFICATIONS HEREIN ARE THE PROPERTY OF DIGITAL EQUIPMENT CORPORATION AND SHALL NOT BE REPRODUCED OR COPIED OR USED IN WHOLE OR IN PART AS THE BASIS FOR THE MANUFACTURE OR SALE OF ITEMS WITHOUT WRITTEN PERMISSION.
 COPYRIGHT © 1977 DIGITAL EQUIPMENT CORPORATION

DR01-CL-10 2

RHCSI-REG #0

15	14	13	12	11	10	9	8	7	6	5	4	3	2	1	0
				DRY						F4	F3	F2	F1	F0	GO

RHIS-REG #1

ALWAYS = 1

15	14	13	12	11	10	9	8	7	6	5	4	3	2	1	0
ATA	ERR			USER ERR	ICPE	IDPE	IRDY			CYCLE	AT 3 USER	AT 2 USER	AT 1 USER	AT 0 USER	

RHIB-REG #2

15	14	13	12	11	10	9	8	7	6	5	4	3	2	1	0
DI 15	DI 14	DI 13	DI 12	DI 11	DI 10	DI 9	DI 8	DI 7	DI 6	DI 5	DI 4	DI 3	DI 2	DI 1	DI 0

RHFS-REG #5

15	14	13	12	11	10	9	8	7	6	5	4	3	2	1	0
UF07	UF06	UF05	UF04	UF03	UF02	UF01	UF00	ST07	ST06	ST05	ST04	ST03	ST02	ST01	ST00

RHDT-REG #6

8	7	6	5	4	3	2	1	0
DT (0)	DT (0)	DT (0)	DT (0)	DT (0)	DT (0)	DT (1)	DT (0)	DT (0)

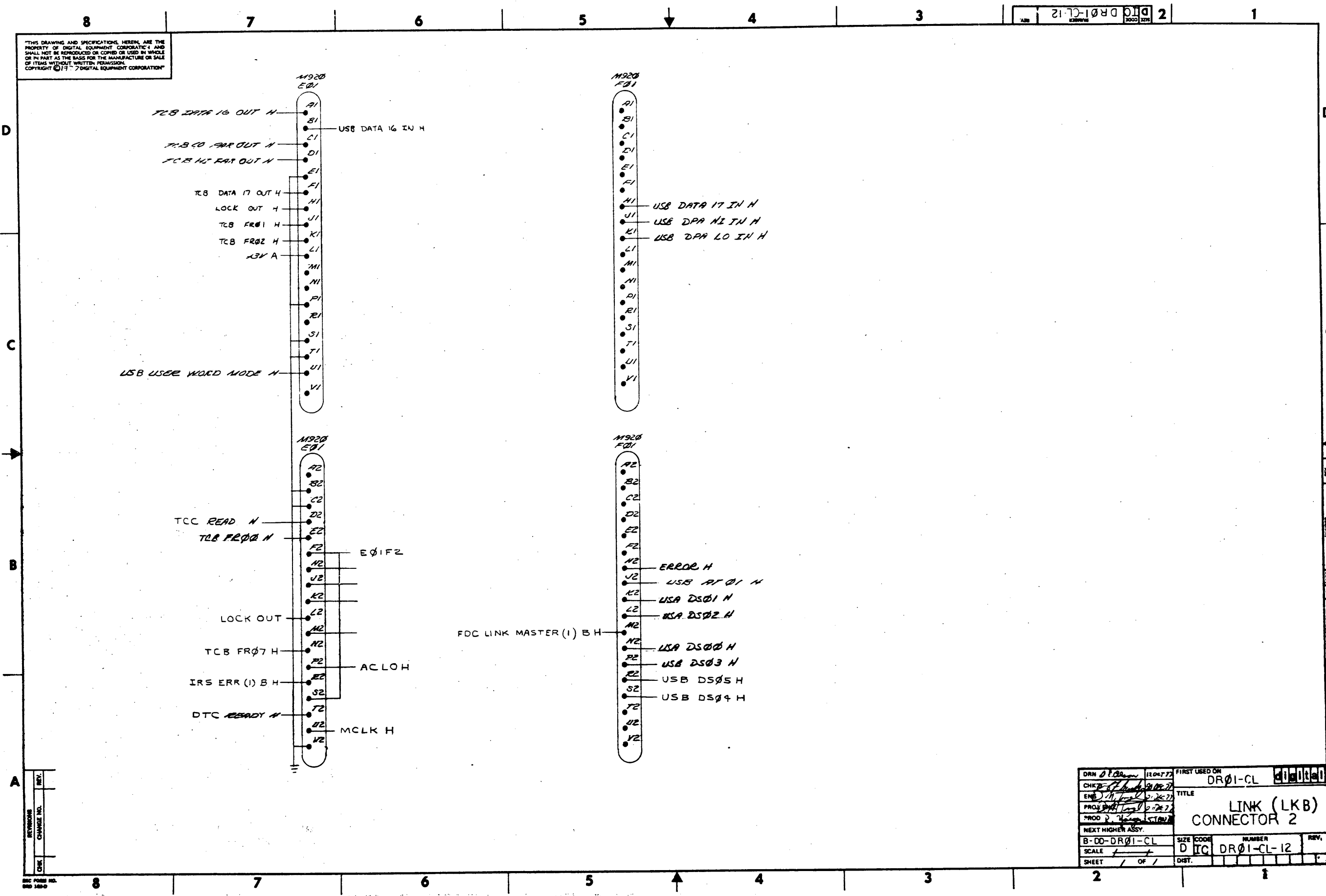
RHOB-REG #7

15	14	13	12	11	10	9	8	7	6	5	4	3	2	1	0
DO15	DO14	DO13	DO12	DO11	DO10	DO9	DO8	DO7	DO6	DO5	DO4	DO3	DO2	DO1	DO0

REV.	
CHK	
CHANGE NO.	
REVISIONS	

DESCRIPTION		DWG/PART NO.		ITEM NO.	
UNLESS OTHERWISE SPECIFIED DIMENSIONS ARE IN INCHES					
ANGLES 90° ±30'	CLASS OF ACCURACY	NOMINAL DIMENSION RANGE INCHES			
SURFACE QUALITY IN MICROINCHES	(CHECK ONE)	0	0.2	0.5	1.0
		1.2	2.5	5.0	10.0
QUANTITY & VARIATION	MICROINCHES	MEDIUM	1.004	1.008	1.012
		PREFERRED	1.012	1.016	1.020
THIRD ANGLE PROJECTION	DRN. <i>[Signature]</i> 12.04.77	FIRST USED ON			
REMOVE BURRS AND BREAK SHARP CORNERS	CHK'D <i>[Signature]</i>	DR01-CL <i>digital</i>			
DO NOT SCALE DWG	ENG. <i>[Signature]</i>	TITLE			
	PROD. <i>[Signature]</i>	DR01-C STD REGISTERS DEFINITION			
MATERIAL	B-DD-DR01-C	SIZE	CODE	NUMBER	REV.
FINISH	SCALE	D	DD	DR01-CL-10	
	SHEET	OF	1	DIST.	

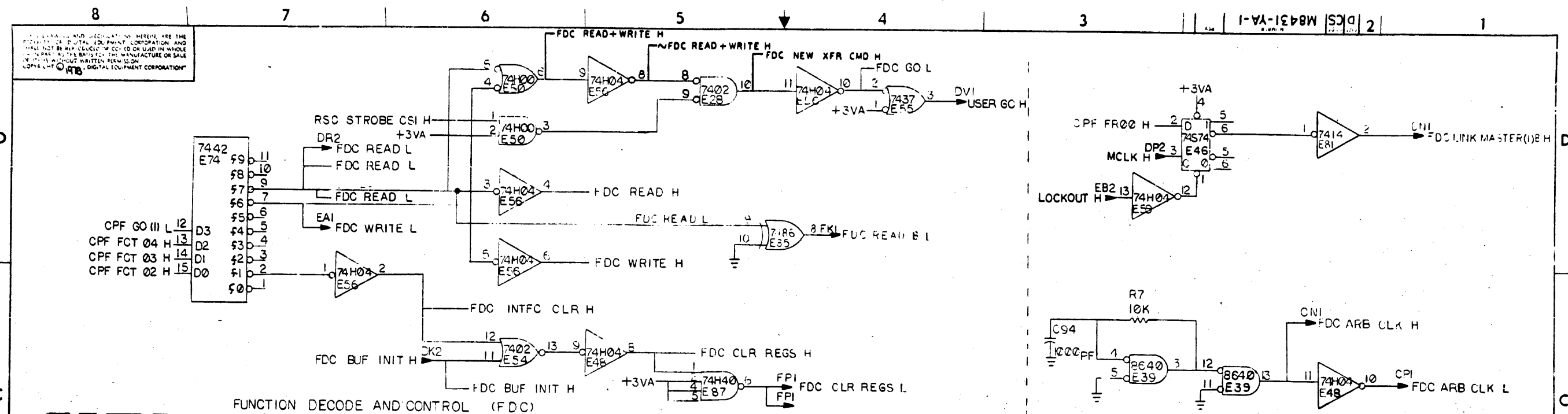
THIS DRAWING AND SPECIFICATIONS HEREIN ARE THE PROPERTY OF DIGITAL EQUIPMENT CORPORATION AND SHALL NOT BE REPRODUCED OR COPIED OR USED IN WHOLE OR IN PART AS THE BASIS FOR THE MANUFACTURE OR SALE OF ITEMS WITHOUT WRITTEN PERMISSION. COPYRIGHT © 1977 DIGITAL EQUIPMENT CORPORATION



REV.	
CHANGE NO.	
DATE	

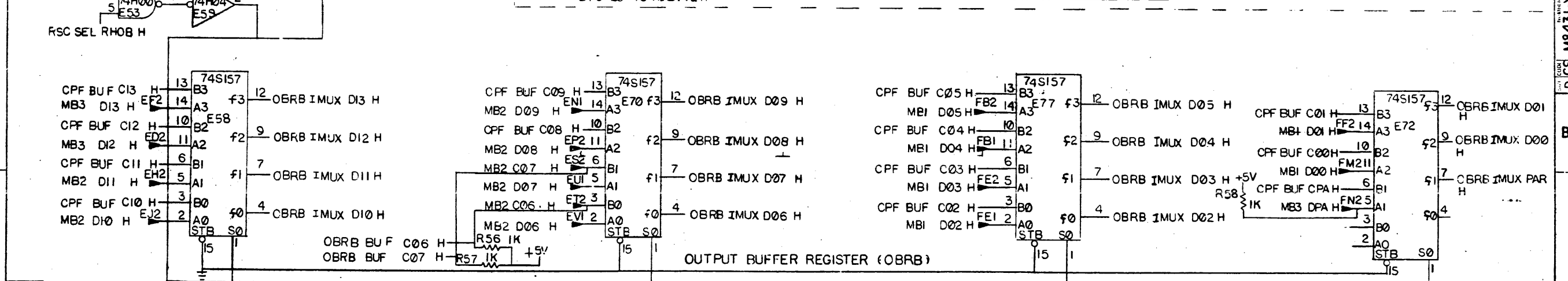
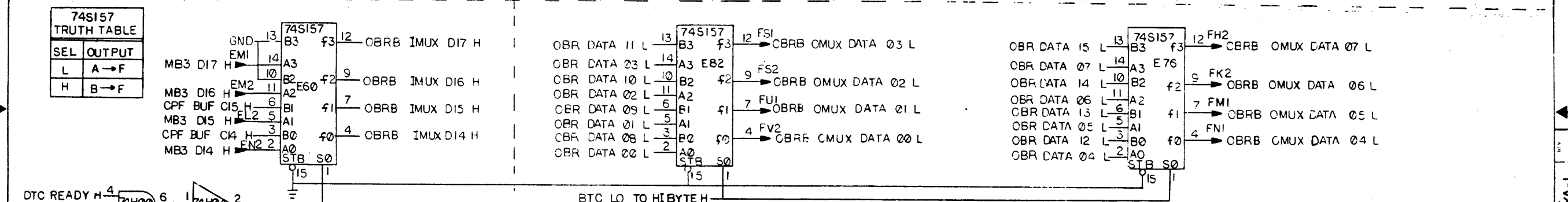
DRN <i>D. P. Brown</i>	11/04/77	FIRST USED ON	DR01-CL	digital
CHK'D <i>D. P. Brown</i>	11/04/77	TITLE	LINK (LKB) CONNECTOR 2	
ENG <i>D. P. Brown</i>	11/04/77	PROD'D <i>D. P. Brown</i>		
NEXT HIGHER ASSY.				
B-DD-DR01-CL		SIZE CODE	NUMBER	REV.
SCALE		D I C	DR01-CL-12	
SHEET	OF	DIST.		

DEC FORM NO. 100-100

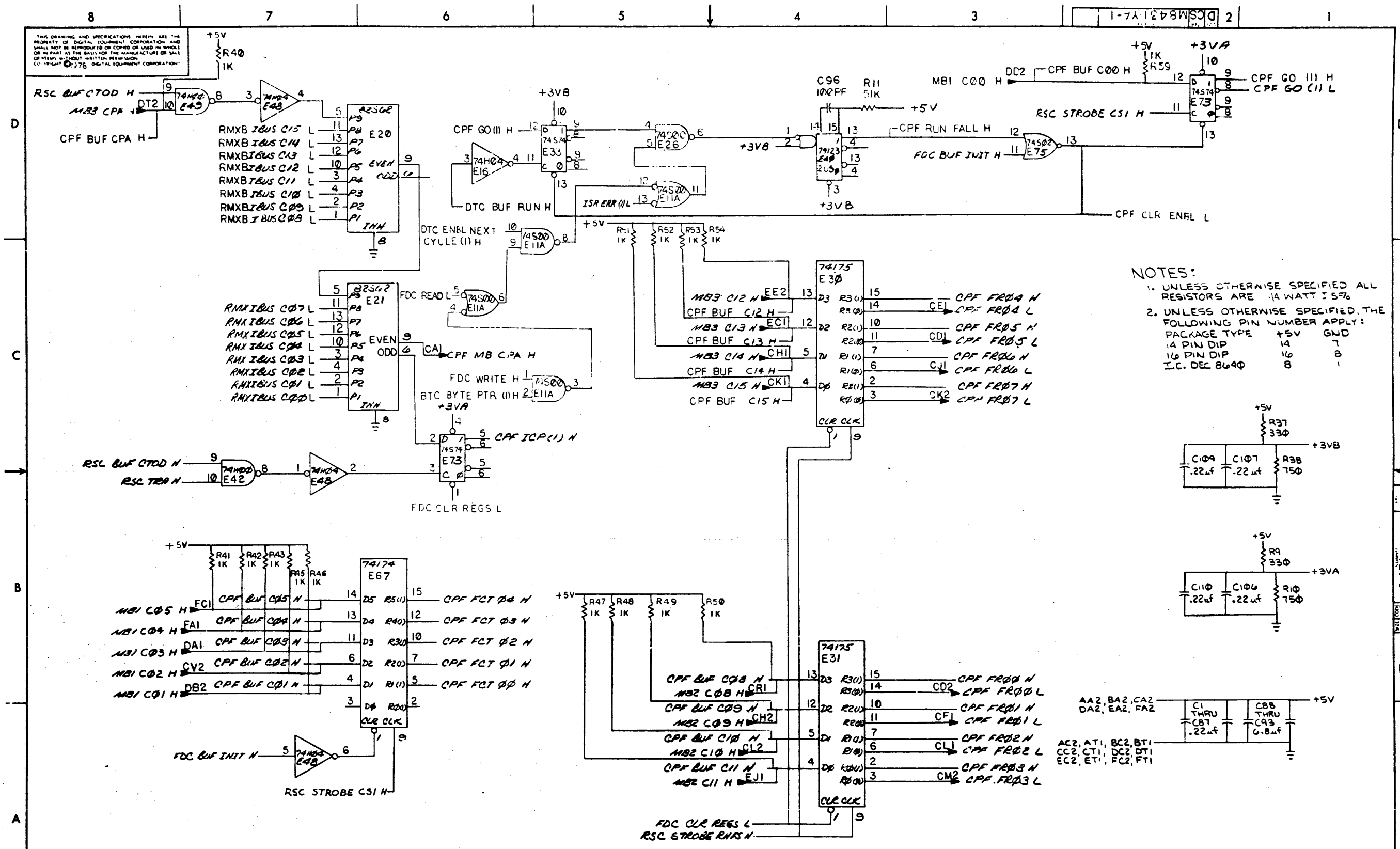


74S157 TRUTH TABLE

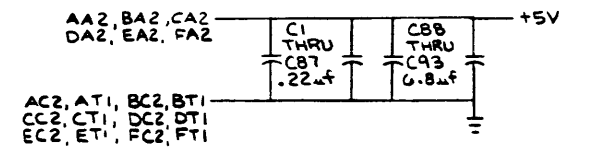
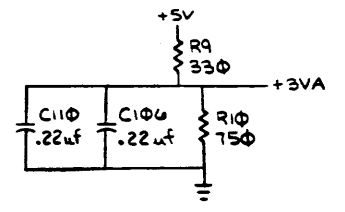
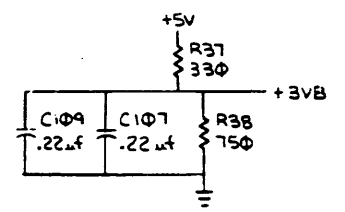
SEL	OUTPUT
L	A → F
H	B → F



REVISIONS CHANGE NO. CHK	FIRST USED ON DR01-CL digital	TITLE DR01-CL CONTROL MODULE	NEXT HIGHER ASSY. B-DD-M8431-YA	SIZE CODE D CS	NUMBER M8431-YA-1	REV. 1
SHEET 1 OF 9		DCLM LINK MASTER (DCLM)		SCALE		DIST.



- NOTES:**
- UNLESS OTHERWISE SPECIFIED ALL RESISTORS ARE 1/4 WATT 5%.
 UNLESS OTHERWISE SPECIFIED, THE FOLLOWING PIN NUMBER APPLY:
 PACKAGE TYPE +5V GND
 14 PIN DIP 14 7
 16 PIN DIP 16 8
 I.C. DEC 8640 8 1

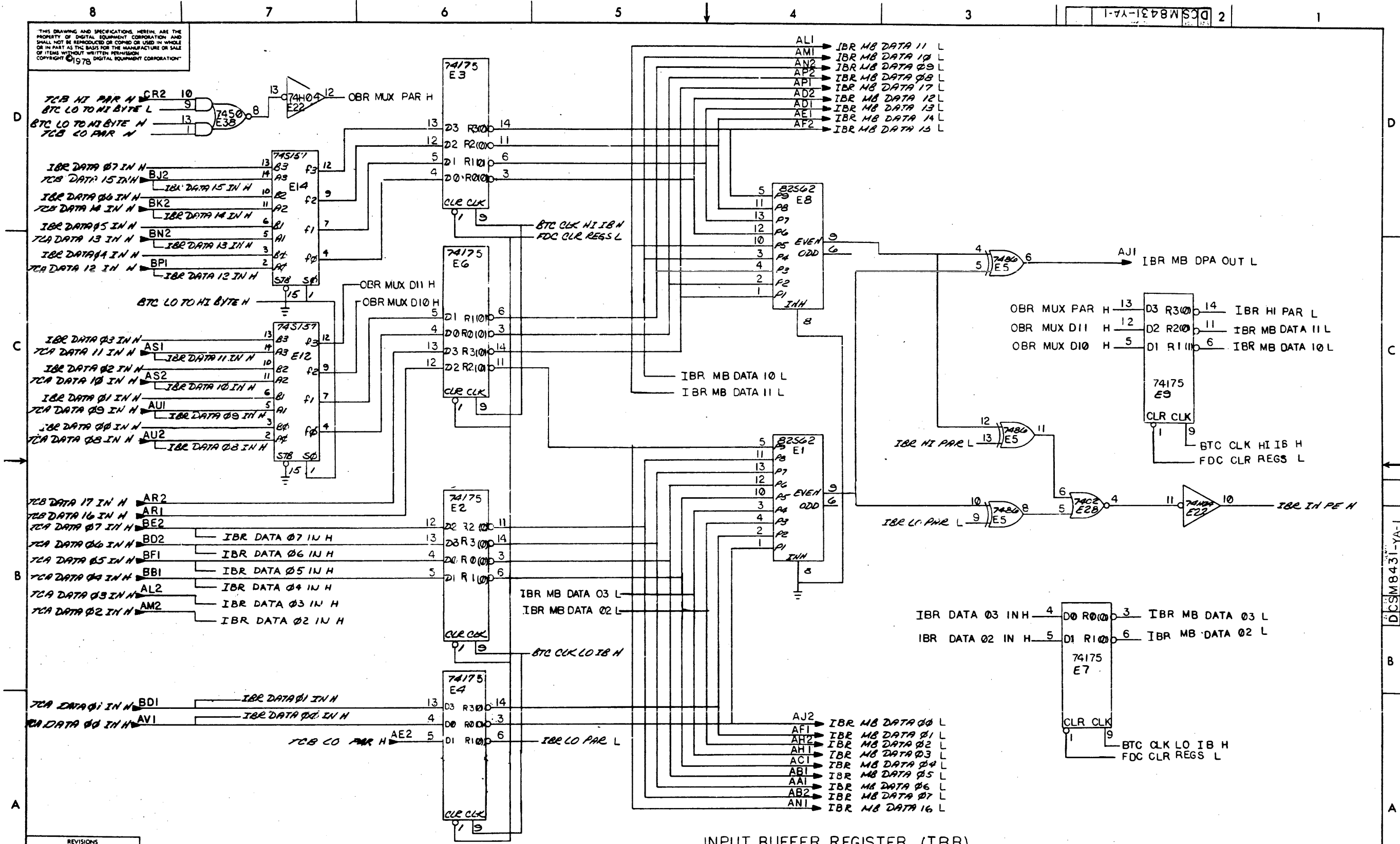


CONTROL PARITY AND FUNCTION REGS. (CPF)

REVISIONS		
CHK	CHANGE NO	REV

TITLE	DR01-CL CONTROL MODULE	SIZE/CODE	DCS M8431-YA-1	NUMBER		REV.	
SCALE		SHEET	2 OF 9	DIST			

THIS DRAWING AND SPECIFICATIONS HEREIN ARE THE PROPERTY OF DIGITAL EQUIPMENT CORPORATION AND SHALL NOT BE REPRODUCED OR COPIED OR USED IN WHOLE OR IN PART AS THE BASIS FOR THE MANUFACTURE OR SALE OF ITEMS WITHOUT WRITTEN PERMISSION. COPYRIGHT © 1978 DIGITAL EQUIPMENT CORPORATION

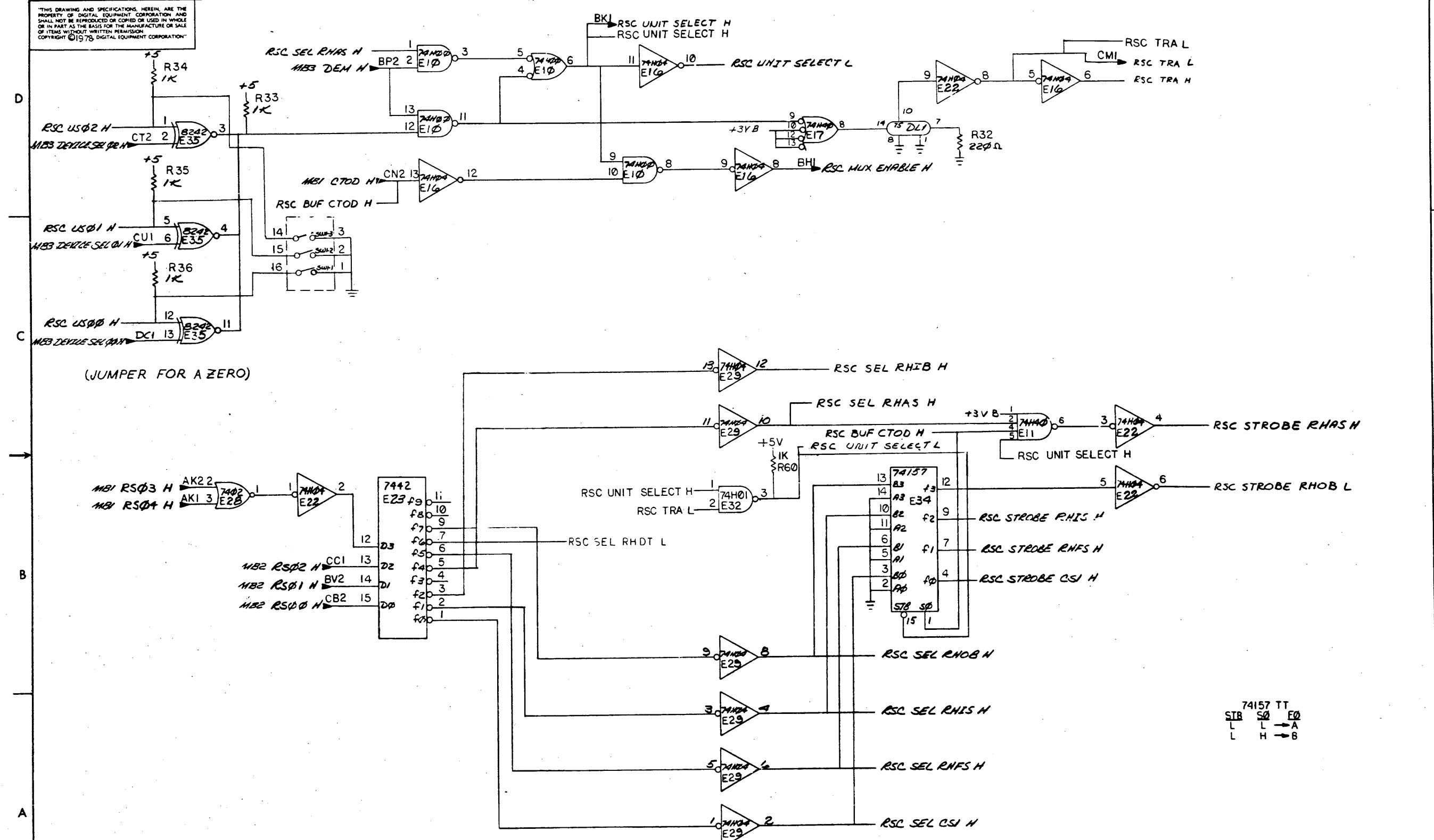


INPUT BUFFER REGISTER (IBR)

REVISIONS		
CHK	CHANGE NO	REV

TITLE	DR01-CL CONTROL MODULE	SIZE CODE	NUMBER	REV.
SCALE	+	SHEET	3 OF 9	DIST.

THIS DRAWING AND SPECIFICATIONS, HEREIN, ARE THE PROPERTY OF DIGITAL EQUIPMENT CORPORATION AND SHALL NOT BE REPRODUCED OR COPIED OR USED IN WHOLE OR IN PART AS THE BASIS FOR THE MANUFACTURE OR SALE OF ITEMS WITHOUT WRITTEN PERMISSION. COPYRIGHT © 1978 DIGITAL EQUIPMENT CORPORATION.

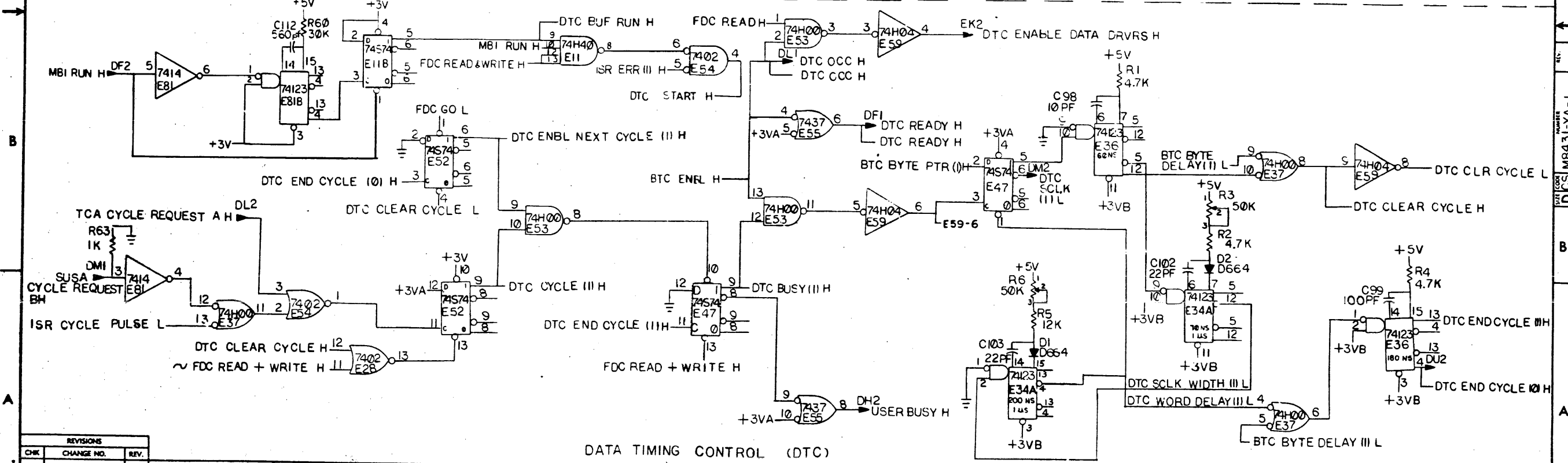
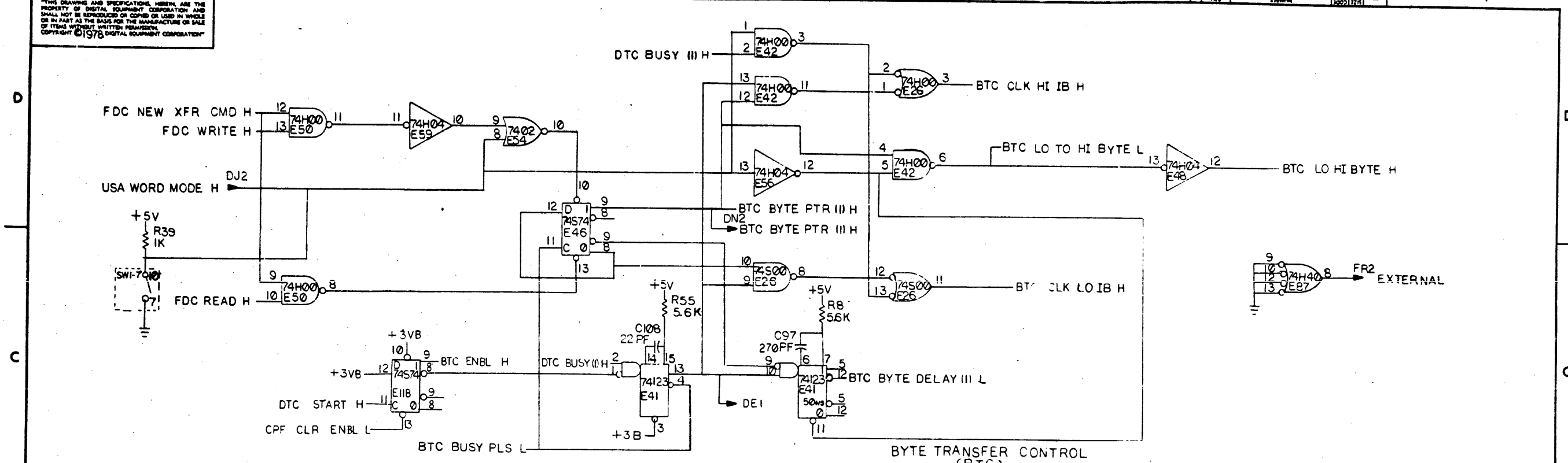


REGISTER SELECTION CONTROL (RSC)

REVISIONS		
CHK	CHANGE NO	REV

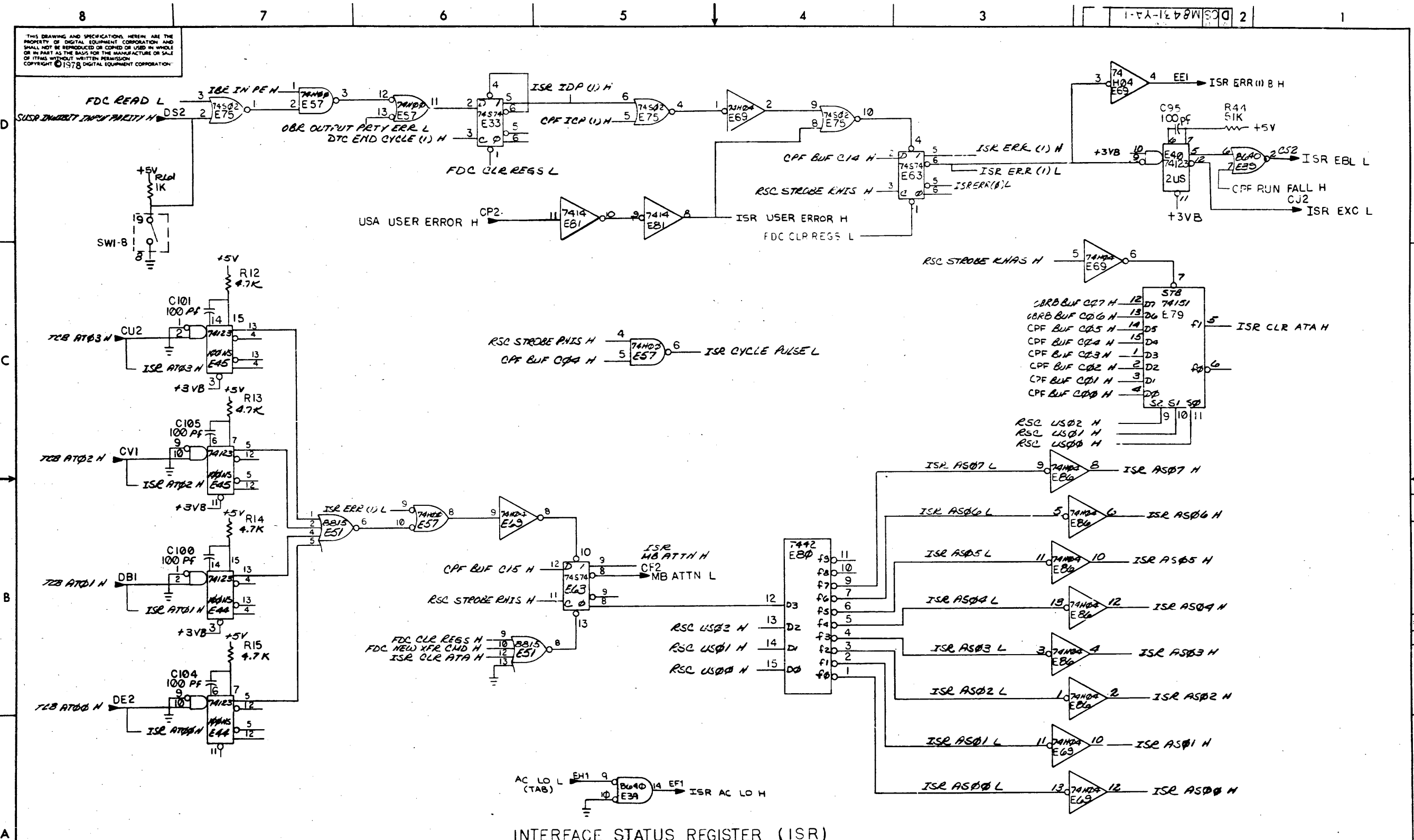
TITLE	DR01-CL CONTROL MODULE	SIZE CODE	D	NUMBER	M8431-YA-1	REV.	
SCALE		SHEET	4	OF	9	DIST.	

"THIS DRAWING AND SPECIFICATIONS HEREIN ARE THE PROPERTY OF DIGITAL EQUIPMENT CORPORATION AND SHALL NOT BE REPRODUCED OR COPIED OR USED IN WHOLE OR IN PART AS THE BASIS FOR THE MANUFACTURE OR SALE OF ITEMS WITHOUT WRITTEN PERMISSION. COPYRIGHT © 1978 DIGITAL EQUIPMENT CORPORATION"



REVISIONS		
CHK	CHANGE NO.	REV.

THIS DRAWING AND SPECIFICATIONS HEREIN ARE THE PROPERTY OF DIGITAL EQUIPMENT CORPORATION AND SHALL NOT BE REPRODUCED OR COPIED OR USED IN WHOLE OR IN PART AS THE BASIS FOR THE MANUFACTURE OR SALE OF ITEMS WITHOUT WRITTEN PERMISSION. COPYRIGHT © 1978 DIGITAL EQUIPMENT CORPORATION.

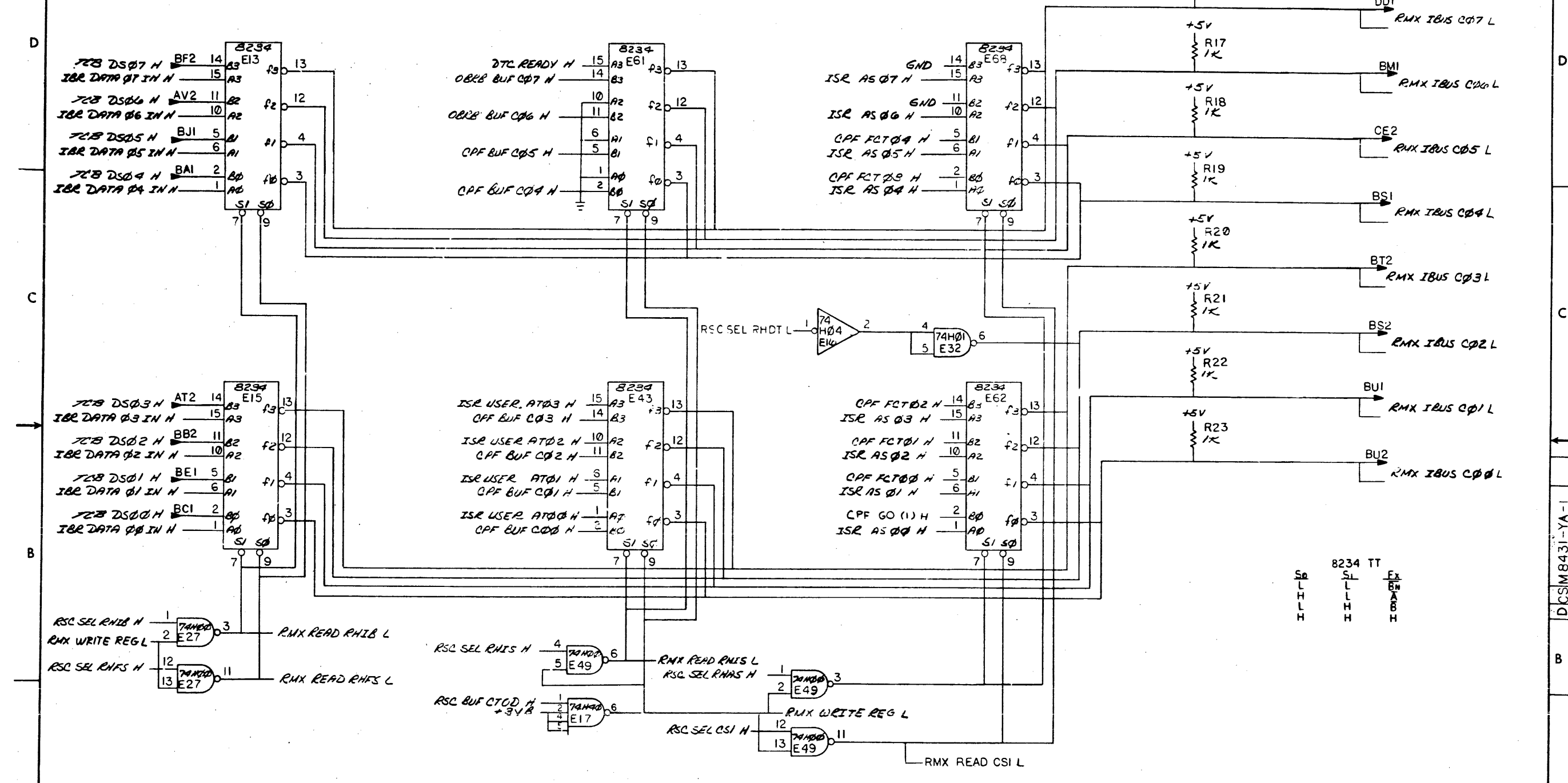


INTERFACE STATUS REGISTER (ISR)

REVISIONS		
CHK	CHANGE NO	REV

TITLE	DROI-CL CONTROL MODULE	SIZE CODE	NUMBER	REV.
SCALE	SHEET 6 OF 9	DIST.	DCS M8431-YA-1	

THIS DRAWING AND SPECIFICATIONS HEREIN ARE THE PROPERTY OF DIGITAL EQUIPMENT CORPORATION AND SHALL NOT BE REPRODUCED OR COPIED OR USED IN WHOLE OR IN PART AS THE BASIS FOR THE MANUFACTURE OR SALE OF ITEMS WITHOUT WRITTEN PERMISSION. COPYRIGHT © 1978 DIGITAL EQUIPMENT CORPORATION.



REGISTER MULTIPLEXER (RMX)

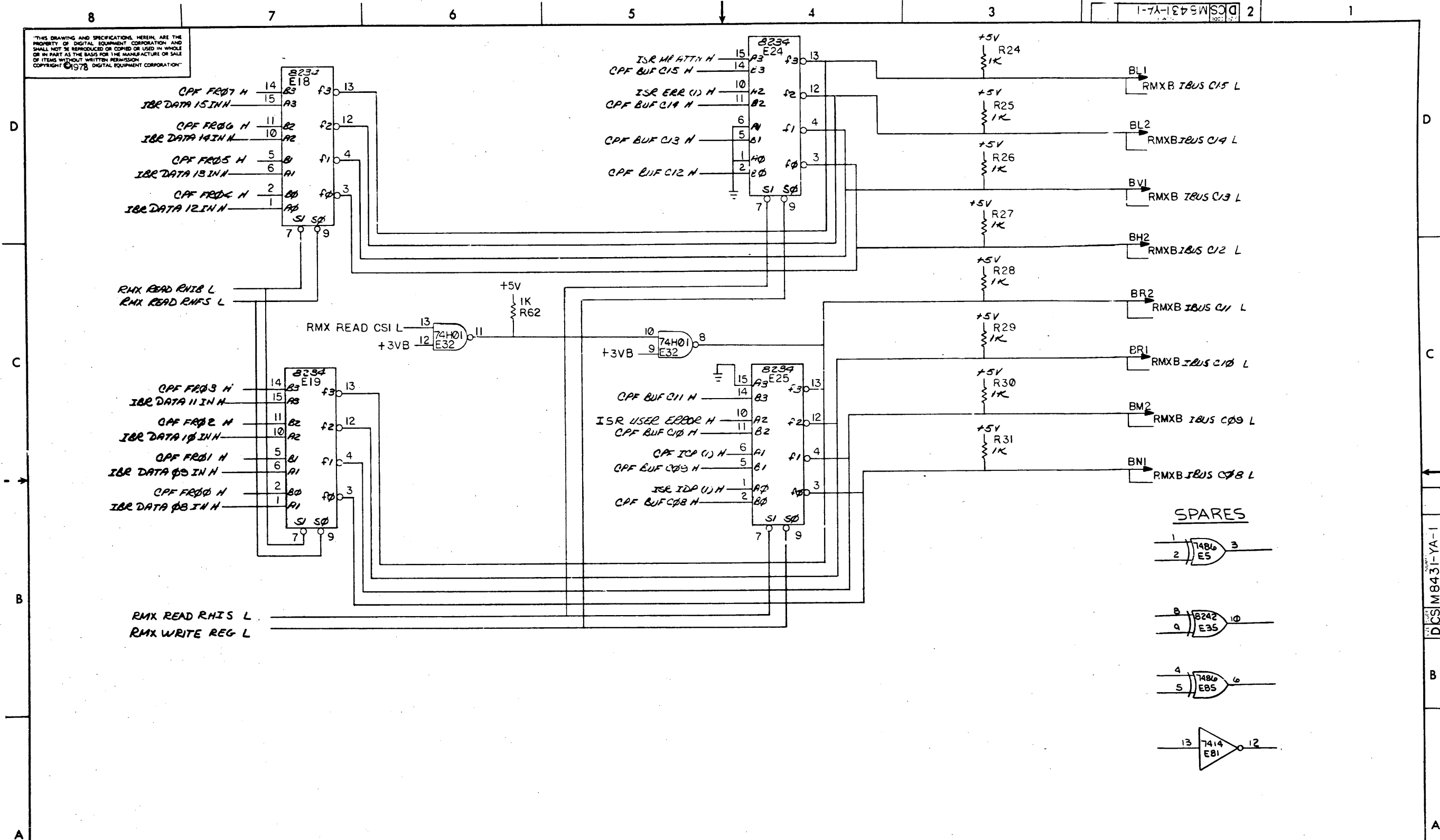
8234 TT
 SI L H
 SI L H
 SI L H

DCS M8431-YA-1

REVISIONS		
CHK	CHANGE NO	REV

TITLE	DR01-CL CONTROL MODULE	SIZE CODE	NUMBER	REV
SCALE	SHEET 7 OF 9	DIST		

THIS DRAWING AND SPECIFICATIONS HEREIN ARE THE PROPERTY OF DIGITAL EQUIPMENT CORPORATION AND SHALL NOT BE REPRODUCED OR COPIED OR USED IN WHOLE OR IN PART AS THE BASIS FOR THE MANUFACTURE OR SALE OF ITEMS WITHOUT WRITTEN PERMISSION. COPYRIGHT © 1978 DIGITAL EQUIPMENT CORPORATION.



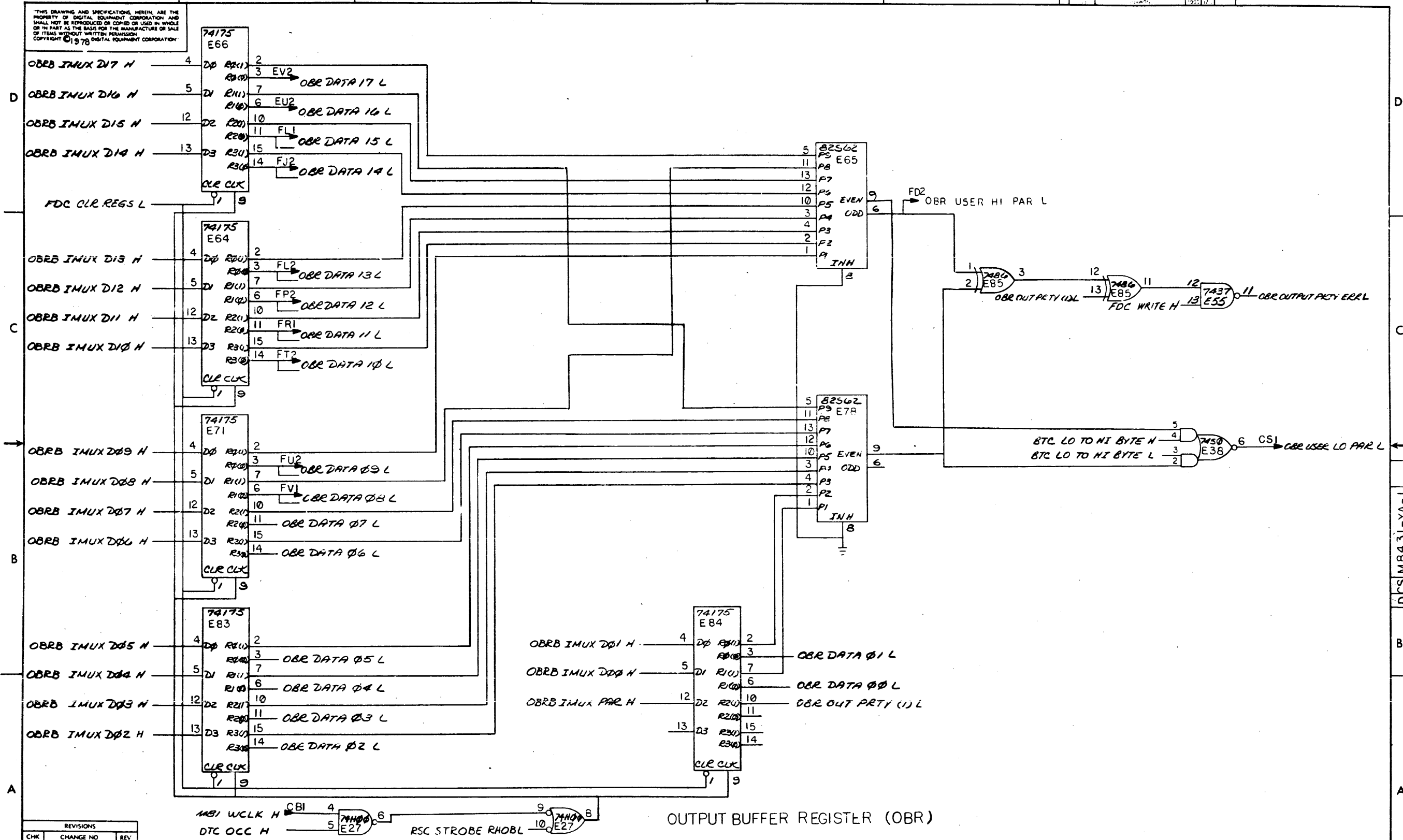
REGISTER MULTIPLEXER (RMXB)

REVISIONS		
CHK	CHANGE NO.	REV

TITLE	DR01-CL CONTROL MODULE	SIZE/CODE	NUMBER	REV.
SCALE	SHEET 8 OF 9	DIST.	DCS M8431-YA-1	

DCS M8431-YA-1

THIS DRAWING AND SPECIFICATIONS, HEREIN, ARE THE PROPERTY OF DIGITAL EQUIPMENT CORPORATION AND SHALL NOT BE REPRODUCED OR COPIED OR USED IN WHOLE OR IN PART AS THE BASIS FOR THE MANUFACTURE OR SALE OF ITEMS WITHOUT WRITTEN PERMISSION. COPYRIGHT © 1978 DIGITAL EQUIPMENT CORPORATION.



OUTPUT BUFFER REGISTER (OBR)

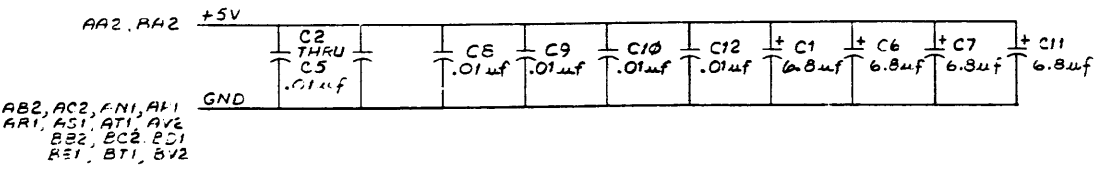
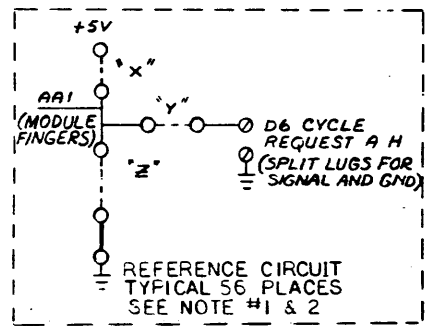
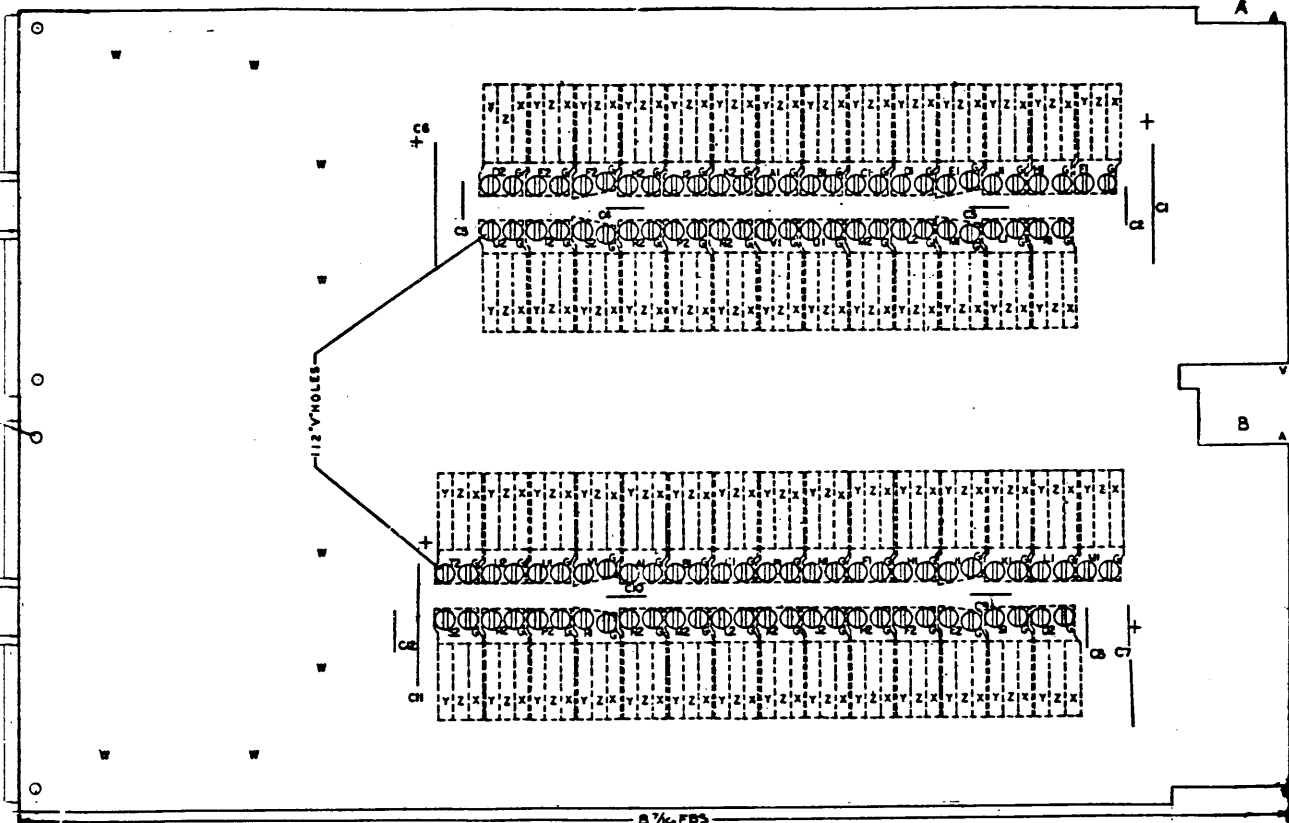
REVISIONS		
CHK	CHANGE NO	REV

TITLE	DR01-CL CONTROL MODULE	SIZE CODE	D CS	NUMBER	M8431-YA-1	REV.	
SCALE	NONE	SHEET	9	OF	9	DIST	

This drawing and specifications, herein, are the property of Digital Equipment Corporation and shall not be reproduced or copied or used in whole or in part as the basis for the manufacture or sale of items without written permission © DEC 11-73

- NOTES:**
1. ALL RECEIVED SIGNALS HAVE A JUMPER (POSITION "Y"), A 180 OHM RES. TO +5V (POSITION "X") AND A 390 OHM RES. TO GROUND (POSITION "Z").
 2. ALL DRIVEN LINES WILL HAVE A JUMPER (POSITION "Y") AND UNUSED (POSITION'S "X" & "Z").

SLOT A				SLOT B			
PIN	X	Y	Z	PIN	X	Y	Z
A1	R1	W1	R33	A1	R25	W25	R57
A2				A2			
B1			W33	B1	R26	W26	R58
B2				B2			
C1	R2	W2	R34	C1	R27	W27	R59
C2				C2			
D1	R3	W3	R35	D1			
D2	R4	W4	R36	D2	R28	W28	R60
E1	R5	W5	R37	E1			
E2	R6	W6	R38	E2		W36	
F1	R7	W7	R39	F1	R29	W29	R61
F2	R8	W8	R40	F2	R30	W30	R62
H1	R9	W9	R41	H1		W37	
H2	R10	W10	R42	H2	R31	W31	R63
J1	R11	W11	R43	J1		W38	
J2	R12	W12	R44	J2		W39	
K1	R13	W13	R45	K1		W40	
K2	R14	W14	R46	K2		W41	
L1	R15	W15	R47	L1		W42	
L2	R16	W16	R48	L2		W43	
M1	R17	W17	R49	M1		W44	
M2	R18	W18	R50	M2		W45	
N1				N1		W46	
N2	R19	W19	R51	N2		W47	
P1				P1		W48	
P2	R20	W20	R52	P2		W49	
R1				R1		W50	
R2	R21	W21	R53	R2		W51	
S1				S1		W52	
S2			W34	S2		W53	
T1				T1		W54	
T2	R22	W22	R54	T2		W54	
U1			W23	U1	R32	W32	R64
U2			W35	U2		W55	
V1	R24	W24	R55	V1		W56	
V2				V2			



QTY	REF DESIGNATION	DESCRIPTION	PART NO.	ITEM NO.
31	R33-54	R56-54 RES. 390, 1/4W, 5%	1300309	12
31	R1-22	R24-32 RESISTOR 180, 1/4W, 5%	1301322	11
56	W1 THRU W56	JUMPER, INSULATED	9009185	10
4		EYELET	9006732	9
2		HANDLE FLIP-CHIP MAGENTA	9008337-6	8
112		SPLIT LUG	9006735	7
8	C2 THRU C5, C8, C9, C10, C12	CAP .01 uf 100 V 20% DISC	1001610-01	6
4	C1, C6, C7, C11	CAP 6.8uf 35V 20% TANT	1000067	5
1		ETCHED CIRCUIT BOARD	5010329	4
REF		MODULE ECO HISTORY	B-MH-M9760-YA-6	3
REF		ASSY DRILLING HOLE LAYOUT	E-AH-M9760-B-5	2
REF		XY COORDINATE HOLE LOCATION	K-CD-M9760-D-4	1

IC TYPE	GND	+5V

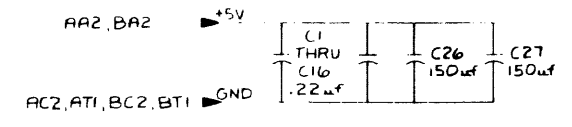
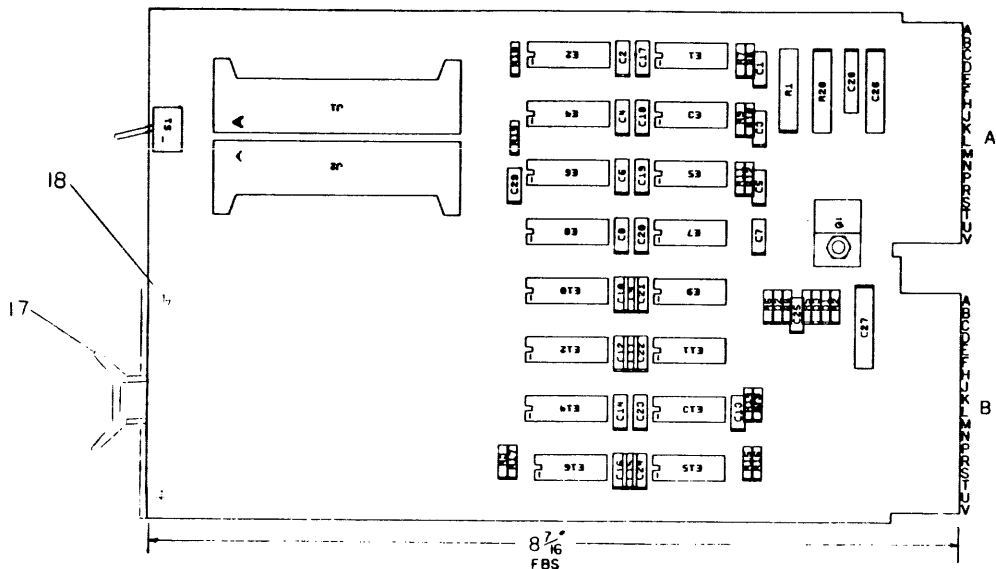
GND AND 5V ARE USUALLY PIN 7 AND 14 RESPECTIVELY EXCEPTIONS ARE STATED ABOVE

IC PIN LOCATIONS

CHK	CHANGE NO.	REV	FIRST USED ON OPTION MODEL				PARTS LIST				DATE	BY	DATE	BY	DATE	BY	DATE
			DR70	ETCH BOARD REV	C	DATE	BY	DATE	BY	DATE							
SEMICONDUCTOR CONVERSION CHART																	
NEXT HIGHER ASSY												TITLE		EQUIPMENT CORPORATION			
SCALE NONE												TWISTED PAIR CABLE CONNECTOR					
SHEET OF 1												SIZE CODE		NUMBER		REV	
DIST.												DCS M9760-YA-1		*			

This drawing and specifications herein are the property of Digital Equipment Corporation and shall not be reproduced or used in whole or in part in any form for the manufacture or sale of items without written permission. COPYRIGHT © 1973
DIGITAL EQUIP CORP.

NOTES:



OFF SHEET PARTS LIST EXISTS
SEE K-PL-M5903-0-DBP

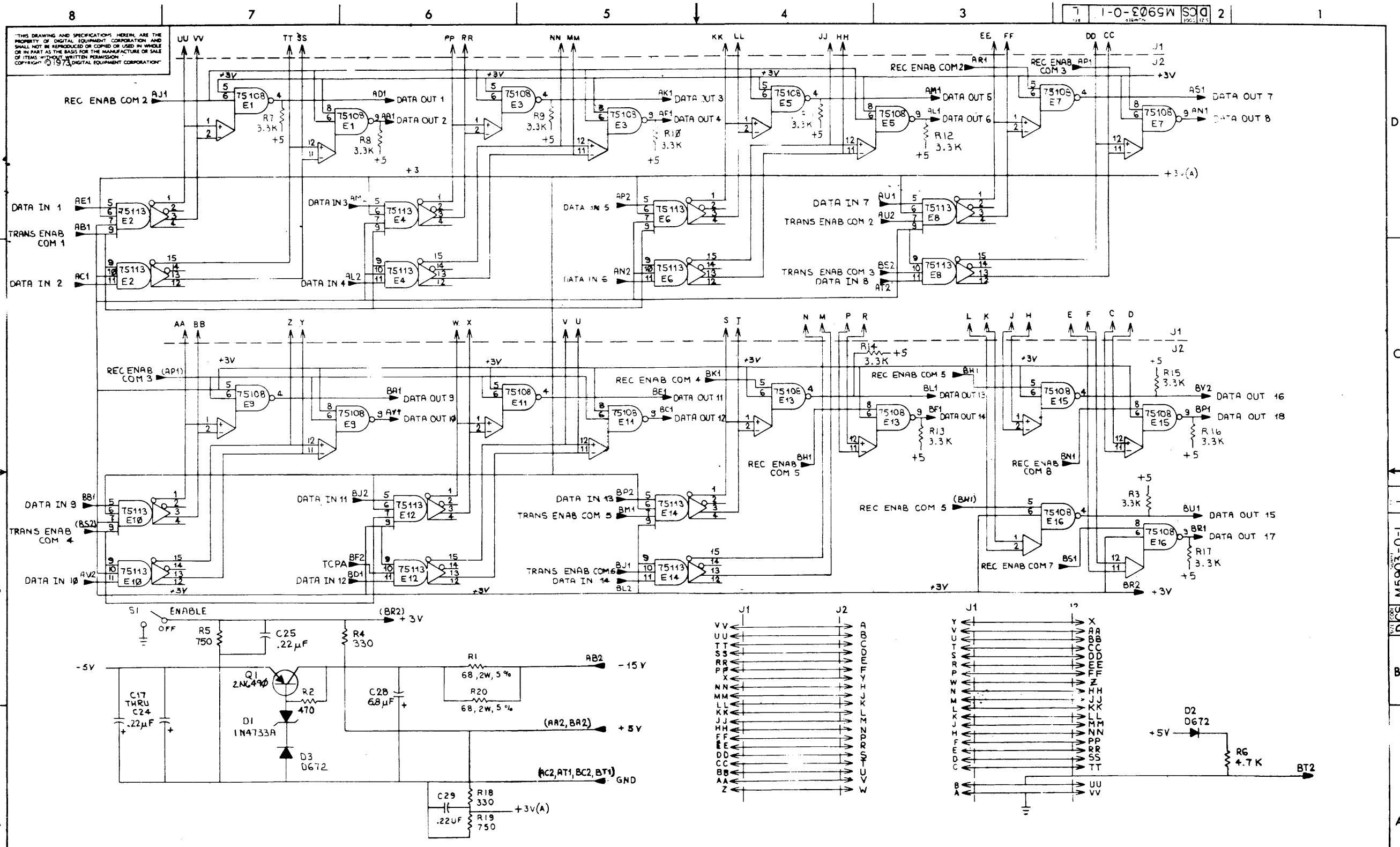
IC TYPE	-5V	GND	+5V
DEC 75107B	13	7	14
DEC 75108B	13	7	14
DEC 75113	—	8	16

GND AND 5V ARE USUALLY PIN 7 AND 14 RESPECTIVELY. EXCEPTIONS ARE STATED ABOVE.

IC PIN LOCATIONS

FIRST USED ON OPTION MODEL RH11		QTY	REF DESIGNATION	DESCRIPTION	PART NO	ITEM NO.																				
PARTS LIST																										
ETCH BOARD REV H																										
<table border="1"> <tr> <td>DRN</td> <td>P Counter</td> <td>DATE</td> <td>8/3/73</td> </tr> <tr> <td>ENGR</td> <td>[Signature]</td> <td>DATE</td> <td>8/2/73</td> </tr> <tr> <td>CHKD</td> <td>[Signature]</td> <td>DATE</td> <td>8/1/73</td> </tr> <tr> <td>PROJ</td> <td>[Signature]</td> <td>DATE</td> <td>8/1/73</td> </tr> <tr> <td>APP</td> <td>[Signature]</td> <td>DATE</td> <td>8/1/73</td> </tr> </table>							DRN	P Counter	DATE	8/3/73	ENGR	[Signature]	DATE	8/2/73	CHKD	[Signature]	DATE	8/1/73	PROJ	[Signature]	DATE	8/1/73	APP	[Signature]	DATE	8/1/73
DRN	P Counter	DATE	8/3/73																							
ENGR	[Signature]	DATE	8/2/73																							
CHKD	[Signature]	DATE	8/1/73																							
PROJ	[Signature]	DATE	8/1/73																							
APP	[Signature]	DATE	8/1/73																							
SEMICONDUCTOR CONVERSION CHART				<table border="1"> <tr> <td>D672</td> <td>IN 3653</td> </tr> <tr> <td>IN 4733A</td> <td>NONE</td> </tr> </table>			D672	IN 3653	IN 4733A	NONE																
D672	IN 3653																									
IN 4733A	NONE																									
D/C NO		EIA NO	BEC NO	EIA NO	<table border="1"> <tr> <td>SIZE CODE</td> <td>NUMBER</td> <td>REV.</td> </tr> <tr> <td>DIC</td> <td>M5903-0-1</td> <td>L</td> </tr> </table>		SIZE CODE	NUMBER	REV.	DIC	M5903-0-1	L														
SIZE CODE	NUMBER	REV.																								
DIC	M5903-0-1	L																								

DICS M5903-0-1



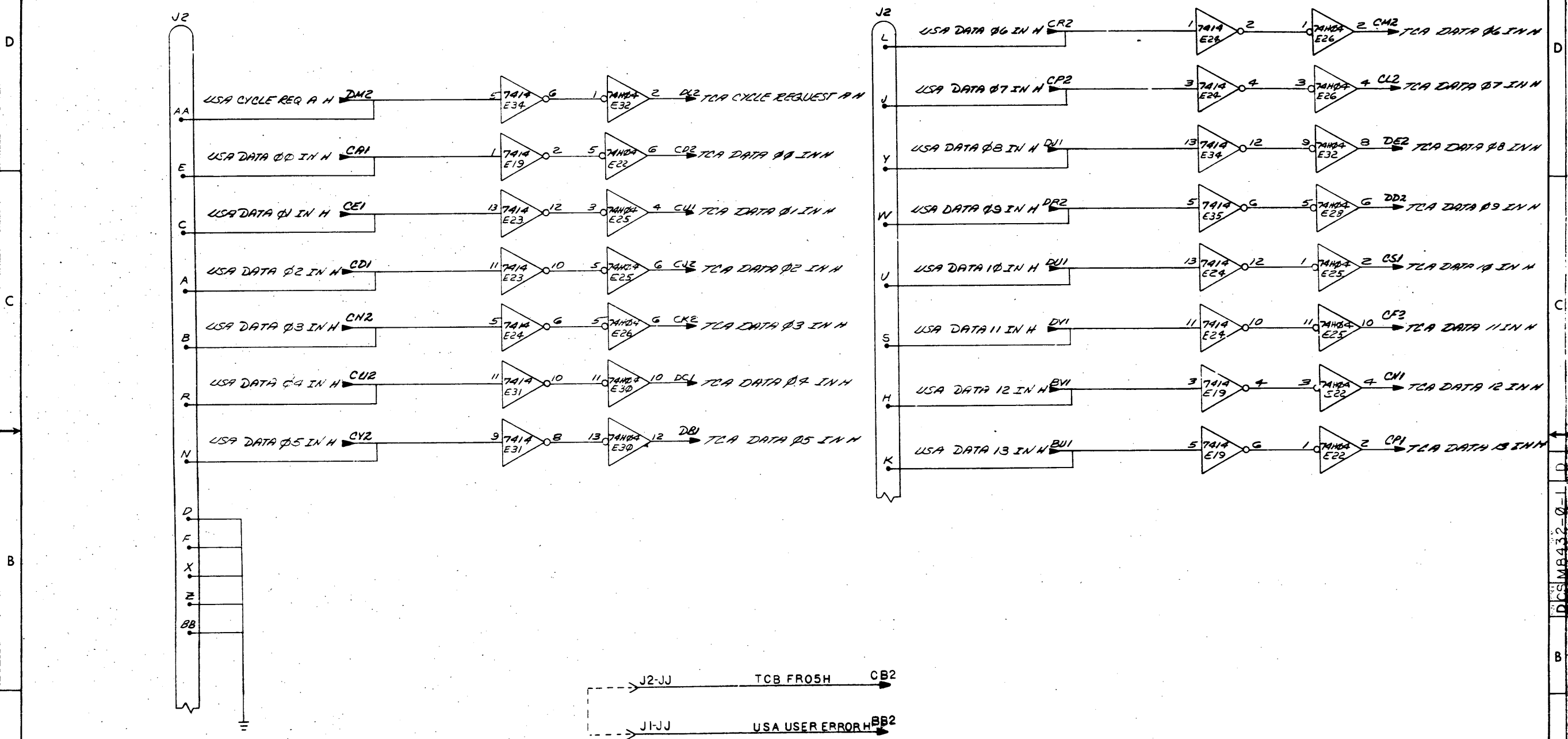
REVISIONS			TITLE		SIZE/CODE		NUMBER		REV.	
CHK	CHANGE NO	REV	DRIVE TRANSCEIVER		DCS		M5903-0-1		L	
			SCALE	NONE	SHEET	2	OF	2	DIST	

8 7 6 5 4 3 2 1

DCS M5903-0-1 L

"THIS DRAWING AND SPECIFICATIONS HEREIN ARE THE PROPERTY OF DIGITAL EQUIPMENT CORPORATION AND SHALL NOT BE REPRODUCED OR COPIED OR USED IN WHOLE OR IN PART AS THE BASIS FOR THE MANUFACTURE OR SALE OF ITEMS WITHOUT WRITTEN PERMISSION. COPYRIGHT © 1975 DIGITAL EQUIPMENT CORPORATION"

DCS M8432-0-1 D 2

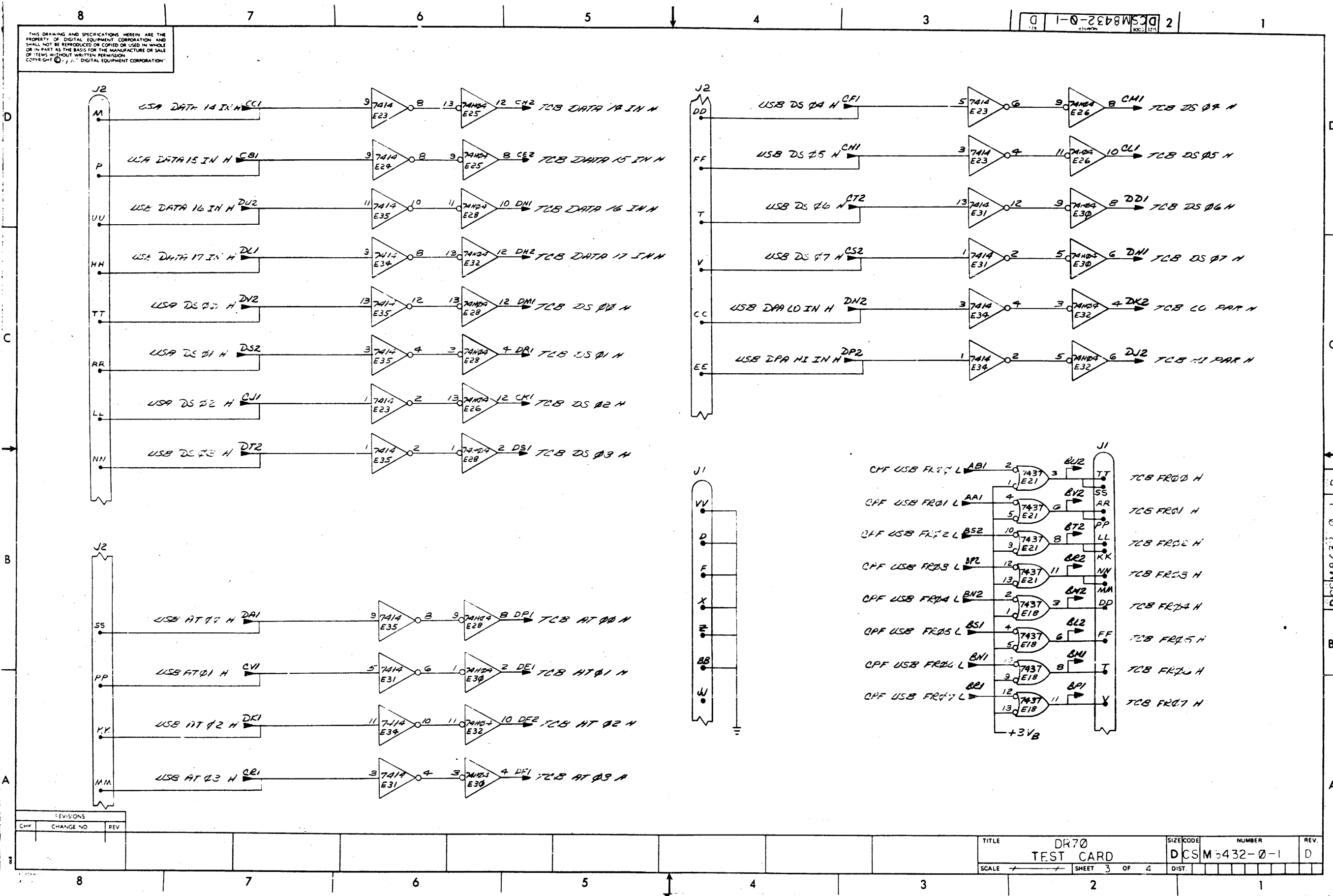


REVISIONS		
CHK	CHANGE NO	REV

TITLE	DR70 TEST CARD	SIZE CODE	NUMBER	REV.
SCALE	SHEET 2 OF 4	DIST.	DCS M8432-0-1	D

THIS DRAWING AND SPECIFICATIONS HEREIN ARE THE PROPERTY OF DIGITAL EQUIPMENT CORPORATION AND SHALL NOT BE REPRODUCED OR COPIED OR USED IN WHOLE OR IN PART AS THE BASIS FOR THE MANUFACTURE OR SALE OF ITEMS WITHOUT WRITTEN PERMISSION. COPYRIGHT © 1967 DIGITAL EQUIPMENT CORPORATION

DCSM8432-0-1

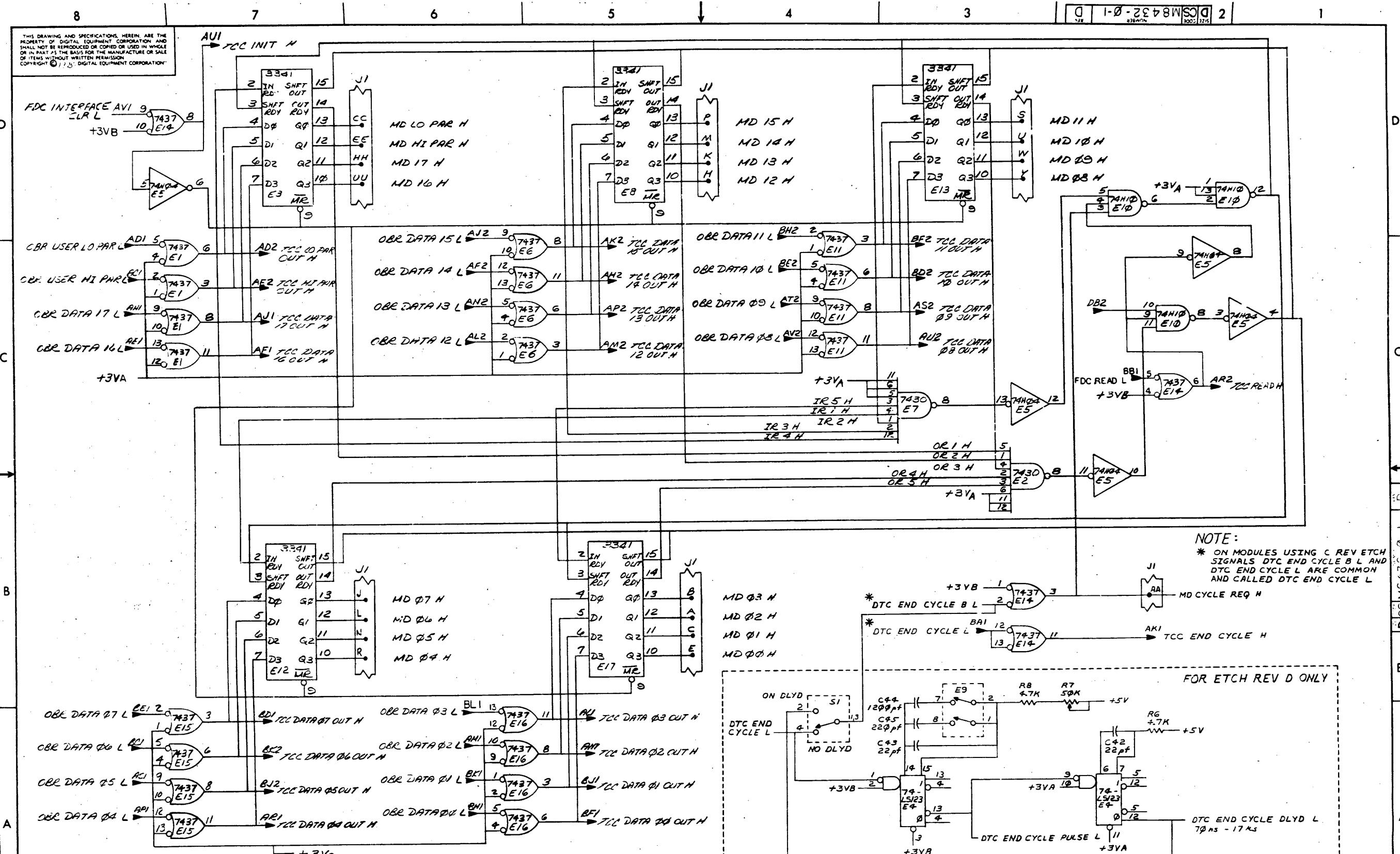


REV	CHANGE NO	REV

TITLE	DR70 TEST CARD	SIZE CODE	NUMBER	REV.
SCALE	SHEET 3 OF 4	DIST.	DCSM8432-0-1	D

DCSM8432-0-1 D

THIS DRAWING AND SPECIFICATIONS, HEREIN, ARE THE PROPERTY OF DIGITAL EQUIPMENT CORPORATION AND SHALL NOT BE REPRODUCED OR COPIED OR USED IN WHOLE OR IN PART AS THE BASIS FOR THE MANUFACTURE OR SALE OF ITEMS WITHOUT WRITTEN PERMISSION. COPYRIGHT © 1975 DIGITAL EQUIPMENT CORPORATION.



NOTE:
 * ON MODULES USING C REV ETCH SIGNALS DTC END CYCLE B L AND DTC END CYCLE L ARE COMMON AND CALLED DTC END CYCLE L

REVISIONS		
CHK	CHANGE NO	REV

TITLE	DR70 TEST CARD	SIZE CODE	NUMBER	REV.
SCALE	SHEET 4 OF 4	DIST	DCS M8432-0-1	D

**DIGITAL EQUIPMENT CORPORATION
MAYNARD, MASSACHUSETTS
PARTS LIST**

QUANTITY VARIATION

MADE BY <i>J.P. [Signature]</i>	CHECKED <i>C. [Signature]</i>	SECTION
DATE <i>5 JAN 77</i>	DATE <i>5 JAN 77</i>	1
ENG <i>J.P. [Signature]</i>	PROD <i>J.M. [Signature]</i>	ISSUED SECT.
DATE <i>5 JAN 77</i>	DATE <i>1/5/78</i>	1

ITEM NO.	DWG NO./PART NO.	DESCRIPTION	QUANTITY	UNIT	REV	ECO NO.
1	MP00522	DR01-CL CUSTOMER PRINT SET	1			
2	EK-DTR01-TM-0	DR01 TECHNICAL MANUAL	1			

TITLE DR01-CL SHIP LIST	ASSY NO. <i>H</i>	SIZE A	CODE PL	NUMBER DR01-CL-15	REV	ECO NO.
SHEET 1 OF 1		DIST				