

| DOCUMENT NUMBER | REV | DESCRIPTION |
|------------------|-----|------------------------------|
| D-TC-MF20-0-1 | E | TABLE OF CONTENTS |
| D-MU-MF20-0-15 | * | MF20 MODULE UTILIZATION LIST |
| D-MU-MF20-0-CPMU | * | MODULE UTILIZATION |

MODULE (C.S.) MOS MEMORY

| | | |
|------------------|---|-------------------------|
| D-DD-5412855-0 | * | XBUS TERMINATOR SHEET 1 |
| D-UA-5412855-0-0 | A | XBUS TERMINATOR SHEET 1 |
| D-CS-5412855-0-1 | * | XBUS TERMINATOR BOARD |

| | | |
|---------------------|---|-----------------------|
| D-DD-5412851-0 | B | ADDRESS TIMER SHEET 1 |
| D-UA-5412851-0-0 | D | ADDRESS TIMER SHEET 1 |
| D-CS-5412851-0-OSC1 | A | SELECT LOGIC |
| D-CS-5412851-0-OSC2 | B | POWER SUPPLY |

| | | |
|-------------------|---|---------------------|
| D-DD-M8572-0 | A | CABLE BOARD SHEET 1 |
| D-UA-M8572-0-0 | B | CABLE BOARD SHEET 1 |
| D-CS-M8572-0-XCD1 | * | CLK SEL LOGIC |
| D-CS-M8572-0-XCD2 | A | XBUS CABLE |
| D-CS-M8572-0-XCD3 | * | POWER AND GND |

| | | |
|-------------------|---|--------------------|
| D-DD-M8574-0 | B | WRITE PATH SHEET 1 |
| E-UA-M8574-0-0 | B | WRITE PATH SHEET 1 |
| D-CS-M8574-0-WRP0 | A | DATA 00-15 |
| D-CS-M8574-0-WRP1 | * | DATA 16-PAR |
| D-CS-M8574-0-WRP2 | * | MIX AND LATCH A |
| D-CS-M8574-0-WRP3 | * | MIX AND LATCH B |
| D-CS-M8574-0-WRP4 | * | MIX AND LATCH C |
| D-CS-M8574-0-WRP5 | * | DATA BUFFER |
| D-CS-M8574-0-WRP6 | * | ECC GENERATOR |
| D-CS-M8574-0-WRP7 | * | ECC DIAG REG |
| D-CS-M8574-0-WRP8 | * | SPARE BIT RAM |
| D-CS-M8574-0-WRP9 | * | SPARE BIT MIXER |
| D-CS-M8574-0-WRPA | * | POWER. GND. CAPS. |
| D-CS-M8574-0-WRPB | * | POWER. GND. CAPS. |
| D-CS-M8574-0-RES | * | TERMINATORS |

| DOCUMENT NUMBER | REV | DESCRIPTION |
|-------------------|-----|-------------------|
| D-DD-M8575-0 | * | SYNDROME SHEET 1 |
| E-UA-M8575-0-0 | A | SYNDROME SHEET 1 |
| D-CS-M8575-0-SYN0 | * | BIT SUB DECODER |
| D-CS-M8575-0-SYN1 | * | BIT SUB DATA |
| D-CS-M8575-0-SYN2 | * | BIT SUB, ECC BITS |
| D-CS-M8575-0-SYN3 | * | GENERATOR |
| D-CS-M8575-0-SYN4 | * | CALCULATOR |
| D-CS-M8575-0-SYN5 | * | CORRECTION DECODE |
| D-CS-M8575-0-SYN6 | * | DATA CORRECTION |
| D-CS-M8575-0-SYN7 | * | PORT ADDRESS |
| D-CS-M8575-0-SYN8 | * | DIAG SELECTION |
| D-CS-M8575-0-SYN9 | * | DIAG MIXER |
| D-CS-M8575-0-SYNA | * | POWER CONTROL |
| D-CS-M8575-0-SYNB | * | POWER. GND. CAPS. |
| D-CS-M8575-0-SYNC | * | POWER. GND. CAPS. |
| D-CS-M8575-0-RES | * | TERMINATORS |

| | | |
|-------------------|---|---------------------|
| D-DD-M8576-0 | A | MOS CONTROL SHEET 1 |
| E-UA-M8576-0-0 | B | MOS CONTROL SHEET 1 |
| D-CS-M8576-0-CTL0 | * | SBUS DRVR & RECVR |
| D-CS-M8576-0-CTL1 | A | START LOGIC |
| D-CS-M8576-0-CTL2 | A | CYCLE CONTROL |
| D-CS-M8576-0-CTL3 | A | WRITE DATA MOVER |
| D-CS-M8576-0-CTL4 | A | ERR REG & ACKN |
| D-CS-M8576-0-CTL5 | * | READ DATA MOVER |
| D-CS-M8576-0-CTL6 | * | DATA VALID |
| D-CS-M8576-0-CTL7 | * | DIAGNOSTIC MOVER |
| D-CS-M8576-0-CTL8 | A | DIAGNOSTIC CNTRL |
| D-CS-M8576-0-CTL9 | * | SM PROM CONTROL |
| D-CS-M8576-0-CTLA | * | RAS & SEL DRVR |
| D-CS-M8576-0-CTLB | * | POWER. GND. CAPS. |
| D-CS-M8576-0-CTLC | * | POWER. GND. CAPS. |
| D-CS-M8576-0-RES | A | TERMINATORS |

| | | |
|-------------------|---|--------------------------|
| D-DD-M8577-0 | B | ADDRESS AND TIME SHEET 1 |
| E-UA-M8577-0-0 | C | ADDRESS AND TIME SHEET 1 |
| D-CS-M8577-0-ADT0 | * | PORT ADR INTER |
| D-CS-M8577-0-ADT1 | * | PORT ADR REG |
| D-CS-M8577-0-ADT2 | * | PORT ADR MIXERS |
| D-CS-M8577-0-ADT3 | * | REFRESH CYCLE |
| D-CS-M8577-0-ADT4 | A | TIMING RAM |
| D-CS-M8577-0-ADT5 | A | ARRAY TIME DRVRS |
| D-CS-M8577-0-ADT6 | A | PHS COM CLOCK |
| D-CS-M8577-0-ADT7 | * | ERR HANDLE LOGIC |
| D-CS-M8577-0-ADT8 | * | DATA BUFFER |
| D-CS-M8577-0-ADT9 | A | DIAGNOSTIC LOGIC |
| D-CS-M8577-0-ADTA | * | POWER. GND. CAPS. |
| D-CS-M8577-0-ADTB | * | POWER. GND. CAPS. |
| D-CS-M8577-0-RES | A | TERMINATORS |

| | | | | |
|----------------------------------|------|---------------------|--------------|------------------------|
| DRN. | DATE | ENG. | DATE | TITLE: MOS MEMORY MF20 |
| CHK'D. | DATE | BOARD LOCATION: N/A | SHEET 2 OF 3 | |
| DSK:MF20TC.T2P14.566J | | 120-OCT-82 | 08:27 | NEXT HIGHER ASSEMBLY: |
| FIRST USED ON OPTION/MODEL: MF20 | | NONE | SIZE CODE | NUMBER |
| | | | D. TC | MF20-0-1 |
| | | | | REV. H |

DOCUMENT NUMBER REV DESCRIPTION

D-DD-M8579-0 A MOS STORAGE SHEET 1
 D-UA-M8579-0-0 C MOS STORAGE SHEET 2
 D-CS-M8579-0-SM00 * ARRAY BIT[T+00]
 D-CS-M8579-0-SM01 * ARRAY BIT[T+01]
 D-CS-M8579-0-SM02 * ARRAY BIT[T+02]
 D-CS-M8579-0-SM03 * ARRAY BIT[T+03]
 D-CS-M8579-0-SM04 * ARRAY BIT[T+04]
 D-CS-M8579-0-SM05 * ARRAY BIT[T+05]
 D-CS-M8579-0-SM06 * ARRAY BIT[T+06]
 D-CS-M8579-0-SM07 * ARRAY BIT[T+07]
 D-CS-M8579-0-SM08 * ARRAY BIT[T+08]
 D-CS-M8579-0-SM09 * ARRAY BIT[T+09]
 D-CS-M8579-0-SM10 * ARRAY BIT[T+10]
 D-CS-M8579-0-SM11 * WR PULSE LOGIC
 D-CS-M8579-0-SM12 * ROW ADR STROBE
 D-CS-M8579-0-SM13 * COL ADR STROBE
 D-CS-M8579-0-SM14 * ADDRESS CONTROL
 D-CS-M8579-0-SM15 * SM TERMINATOR
 D-CS-M8579-0-SM16 * 5V PWR DISTRIB
 D-CS-M8579-0-SM17 * 5V PWR. CAP. GND.
 D-CS-M8579-0-SM18 * 12V PWR. CAP. GND.
 D-CS-M8579-0-SM19 * -2V PWR. CAP. GND.
 D-CS-M8579-0-SM20 * -5V PWR. CAP. GND.
 D-CS-M8579-0-SM21 * -5V PWR. CAP. GND.
 D-CS-M8579-0-RES * TERMINATORS

D-DD-M8580-0 * DUAL TRANSLATOR SHEET 1
 D-UA-M8580-0-0 A DUAL TRANSLATOR SHEET 1
 D-CS-M8580-0-DT01 * DUAL TRANSLATOR
 D-CS-M8580-0-DT02 * DATA TRNCVR 0-5
 D-CS-M8580-0-DT03 * DATA TRNCVR 6-11
 D-CS-M8580-0-DT04 * DATA TRNCVR 12-17
 D-CS-M8580-0-DT05 * ADDRESS DRIVERS
 D-CS-M8580-0-DT06 * CTRL & REF VOLT
 D-CS-M8580-0-DT07 * MEM DATA DRVRS
 D-CS-M8580-0-DT08 * POWER. GND. CAPS.
 D-CS-M8580-0-RES * TERMINATORS

D-DD-M8581-0 * XBUS TRANSLATOR SHEET 1
 D-UA-M8581-0-0 A XBUS TRANSLATOR SHEET 1
 D-CS-M8581-0-DX01 * XBUS TRANSLATOR
 D-CS-M8581-0-DX02 * DATA TRNCVR 0-5
 D-CS-M8581-0-DX03 * DATA TRNCVR 6-11
 D-CS-M8581-0-DX04 * DATA TRNCVR 12-17
 D-CS-M8581-0-DX05 * ADDRESS DRIVERS
 D-CS-M8581-0-DX06 * CTRL & REF VOLT
 D-CS-M8581-0-DX07 * POWER. GND. CAPS.
 D-CS-M8581-0-RES * TERMINATORS

OPTION/ASSY MOS MEMORY

DOCUMENT NUMBER REV DESCRIPTION

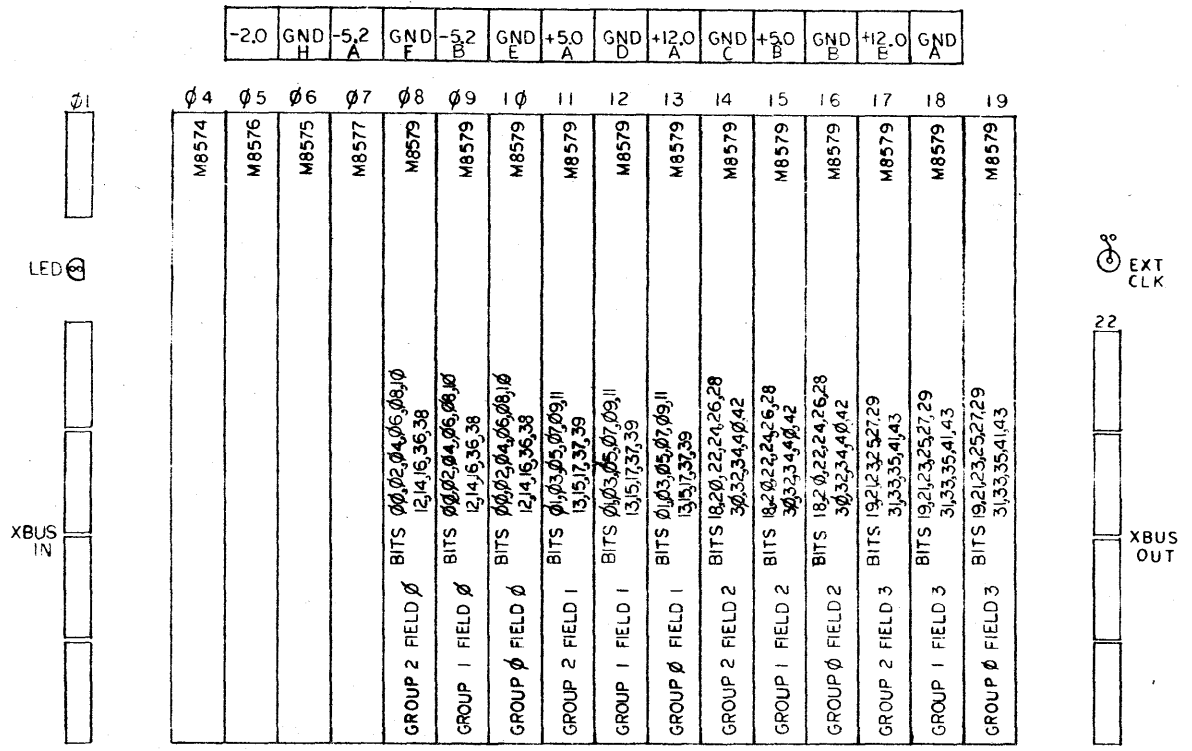
D-IC-MF20-0-3 A MF20 CABLE DIAGRAM
 D-BD-MF20-0-4 * MF20 BLOCK DIAGRAM
 D-FD-MF20-0-5 * MF20 READ CYCLE FLOW CHART
 D-FD-MF20-0-6 * MF20 REFRESH CYCLE FLOW CHART
 D-FD-MF20-0-7 * MF20 WRITE CYCLE FLOW CHART
 D-TD-MF20-0-8 * DIAGNOSTIC CYCLE TIMING DIAGRAM
 D-TD-MF20-0-9 * MF20 READ/REFRESH CYCLE TIMING DIAGRAM
 D-TD-MF20-0-10 * MF20 WRITE CYCLE TIMING DIAGRAM
 D-TD-MF20-0-11 * READ CYCLE TIMING DIAGRAM
 D-TD-MF20-0-12 * REFRESH CYCLE TIMING DIAGRAM
 D-BD-MF20-0-13 * BATTERY BOX BLOCK DIAGRAM
 D-IC-MF20-0-14 * POWER SUPPLY CONNECTOR DIAGRAM
 D-BD-MF20-0-16 * MASTER OSCILLATOR BLOCK DIAGRAM
 D-TD-MF20-0-17 * MF20 TIMING RAMS
 D-BS-MF20-0-18 * MF20 FIXED VALUED RAM CONTENTS
 D-BS-MF20-0-19 * MF20 BACKPLANE XBUS CONNECTIONS
 D-CS-MF20-0-20 * STORAGE ARRAY ORGANIZATION
 D-CS-MF20-0-21 * MF20M BLOCK DIAGRAM
 A-SP-MF20-0-SYNC * MF20 XBUS CLOCK SYNCHRONIZATION
 A-SP-MF20-0-2 B INSTALLATION PROCEDURE
 E-UA-MF20-0-0 D MOS MEMORY
 K-PL-MF20-0-DBP D MOS MEMORY (PL)
 E-UA-KW20-0-0 B MASTER OSCILLATOR
 A-PL-KW20-0-0 B MASTER OSCILLATOR (PL)
 E-AD-7015075-0-0 B BATTERY BOX ASSY
 A-PL-7015075-0-0 B BATTERY BOX ASSY (PL)
 E-AD-7016018-0-0 B CARD CAGE ASSY
 B-PL-7016018-0-0 B CARD CAGE ASSY (PL)
 E-AD-7014358-0-0 * WIRED ASSY MF20
 K-WL-MF20-0-WL C WIRE LIST (MF20)
 B-PL-MF20-0-SH B SHIP LIST

NOTE: A REVISION DESIGNATED AS "*" REPRESENTS THE INITIAL RELEASE. REVISION OF A DOCUMENT IN THE CASE WHERE THE INITIAL RELEASE REVISION WAS "-", "*", OR WAS LEFT BLANK.

| | | | | |
|----------------------------------|------|---------------------|-----------------------|------------------------|
| DRN. | DATE | ENG. | DATE | TITLE: MOS MEMORY MF20 |
| CHK'D. | DATE | BOARD LOCATION: N/A | SHEET 3 OF 3 | |
| DSK:MF20TC.T2PL4.566 | | 120-OCT-82 08:22 | NEXT HIGHER ASSEMBLY: | SIZE CODE NUMBER REV. |
| FIRST USED ON OPTION/MODEL: MF20 | | NONE | | D TC MF20-0-1 H |

THIS DRAWING AND SPECIFICATIONS HEREON ARE THE PROPERTY OF DIGITAL EQUIPMENT CORPORATION AND SHALL NOT BE REPRODUCED OR COPIED IN WHOLE OR IN PART AS THE BASIS FOR THE MANUFACTURE OR SALE OF ITEMS WITHOUT WRITTEN PERMISSION.
 COPYRIGHT © 1978, DIGITAL EQUIPMENT CORPORATION

GROUP 0 IS FIRST 256K WORDS
 GROUP 1 IS SECOND 256K
 GROUP 2 IS THIRD 256K



| | | | | | | | | | | | | | |
|------|-----|------|-----|------|-----|------|-----|-------|-----|------|-----|-------|-----|
| -2.0 | GND | -5.2 | GND | -5.2 | GND | +5.0 | GND | +12.0 | GND | +5.0 | GND | +12.0 | GND |
| H | H | A | F | B | F | A | D | A | C | B | B | E | A |

| | |
|------|--|
| REV. | |
| CHG. | |
| CHK. | |

| | |
|-------------------------------|--------------------|
| DRN. <i>[Signature]</i> | FIRST USED ON MF20 |
| CHK'D <i>[Signature]</i> | DATE 5-30-78 |
| ENG. <i>[Signature]</i> | TITLE MF20 MODULE |
| PROJ. ENG. <i>[Signature]</i> | NUMBER MF20-0-15 |
| PROD. | REV. |
| NEXT HIGHER ASSY. | SCALE NONE |
| B-DD-MF20-0 | SHEET 1 OF 1 |

| DRAWING NUMBER | PAGE | PART NO. | DESCRIPTION | REVISIONS |
|--------------------|------|----------|-----------------------|-----------|
| | | | FILE: ORIGINAL LAYOUT | |
| | | | ECO NUMBER | |
| | | | MODULE REVISION | A |
| D-UA-5412855-0-0 | 2 | | XBUS TERMINATOR | A |
| K-PL-5412855-0-0 | 1 | | PARTS LIST | A |
| D-CS-5412855-0-1 | 1 | | XBUS TERMINATOR BOARD | - |
| E-MD-5012854-0-0 | 2 | | DRILL & ETCH DRAWING | A |
| K-PC-5412855-0-DBC | - | 5012854 | ETCH CIRCUIT BOARD | B |
| | | | P.C. DESIGN DATA BASE | A |

NOTES:

THIS DRAWING AND SPECIFICATIONS, HEREIN, ARE THE PROPERTY OF DIGITAL EQUIPMENT CORPORATION AND SHALL NOT BE REPRODUCED OR COPIED OR USED IN WHOLE OR IN PART AS THE BASIS FOR THE MANUFACTURE OR SALE OF ITEMS WITHOUT WRITTEN PERMISSION.
COPYRIGHT © 1978, DIGITAL EQUIPMENT CORPORATION*

| REVISIONS | | |
|-----------|------------|-----|
| CHK | CHANGE NO. | REV |
| | | |



| | | | |
|----------------------------------|--------------------|---------------------------|---------------|
| DRN <i>P. Lucio</i> | DATE 01-JAN-64 | ENG <i>John Heckman</i> | DATE 1 May 78 |
| CHK'D <i>M. Norman</i> | DATE <i>May 78</i> | BOARD LOCATION <i>N/A</i> | |
| TERMD. TX (4,662) | 01-JAN-64 00:00 | SHEET 1 OF 1 | |
| FIRST USED ON OPTION/MODEL: MF20 | NONE | | |

| | | | |
|------------------------|------|-----------|------|
| TITLE: XBUS TERMINATOR | | | |
| SIZE | CODE | NUMBER | REV. |
| D | DD | 5412855-0 | |

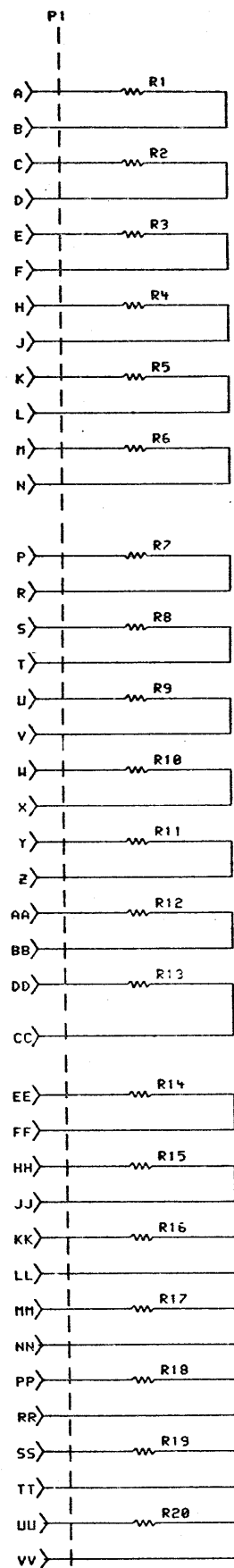
REV. NUMBER 5412855-0

D

C

B

A



SHEET 1 OF 1

"THIS DRAWING AND SPECIFICATIONS, HEREIN, ARE THE PROPERTY OF DIGITAL EQUIPMENT CORPORATION AND SHALL NOT BE REPRODUCED OR COPIED OR USED IN WHOLE OR IN PART AS THE BASIS FOR THE MANUFACTURE OR SALE OF ITEMS WITHOUT WRITTEN PERMISSION.
COPYRIGHT © 1978, DIGITAL EQUIPMENT CORPORATION"

| REVISIONS | | |
|-----------|------------|-----|
| CHK | CHANGE NO. | REV |
| | | |

| | | | | |
|----------------------------------|-------|-----------------|-----------------------|-------|
| digital | DRN | DATE | ENR | DATE |
| | CHK'D | DATE | BOARD LOCATION | SHEET |
| TERMBD.DRW(4,662) | | 26-APR-78 15:29 | NEXT HIGHER ASSEMBLY: | |
| FIRST USED ON OPTION/MODEL: MF20 | | D-DD-5412855-0 | | |

| | | | |
|------------------------------|------|-------------|------|
| TITLE: XBUS TERMINATOR BOARD | | | |
| SIZE | CODE | NUMBER | REV. |
| D | CS | 5412855-0-1 | |

8

7

6

5

4

3

2

1

0-1682145 00 0
3000 3215

MR

| DRAWING NUMBER | PAGES | PART NO. | DESCRIPTION | REVISIONS | | |
|---------------------|-------|----------|-----------------------|-----------|---|---|
| | | | FILE: ORIGINAL LAYOUT | | | |
| | | | ECO NUMBER | 1 | 2 | |
| | | | MODULE REVISION | A | B | C |
| D-UA-5412851-0-0 | 5 | | MASTER OSCILLATOR | B | C | D |
| K-PL-5412851-0-DBP | 3 | | PARTS LIST | B | C | D |
| D-CS-5412851-0-OSC1 | 1 | | SELECT LOGIC | - | - | A |
| D-CS-5412851-0-OSC2 | 1 | | POWER SUPPLY | - | A | B |
| D-MD-5012850-0-0 | 7 | | DRILL & ETCH DRAWING | B | C | C |
| | | 5012850 | ETCH CIRCUIT BOARD | C | D | D |
| K-PC-5412851-0-DBC | - | | P.C. DESIGN DATA BASE | A | B | B |

NOTES:

| REVISIONS | | |
|-----------|------------|-----|
| CHK | CHANGE NO. | REV |
| | | |
| | | |

| | | | | |
|------------------------|----------------------------------|----------------------------|-------------------|--------------------------|
| digital | DATE: 22-JAN-88 | EMBL: | DATE: | TITLE: MASTER OSCILLATOR |
| DRN: J. Looney | DATE: 22-JAN-88 | BOARD LOCATION: N/A | SHEET: 1 OF 1 | |
| CHK'D: M. [unclear] | DATE: 22-JAN-88 14:34 | NEXT HIGHER ASSEMBLY: NONE | SIZE: D | CODE: DD |
| DSK: MROSDD.T2PL4.5501 | FIRST USED ON OPTION/MODEL: KH20 | | NUMBER: 5412851-0 | REV: B |

REV. B
NUMBER 5412851-0
SIZE D
CODE DD

8

7

6

5

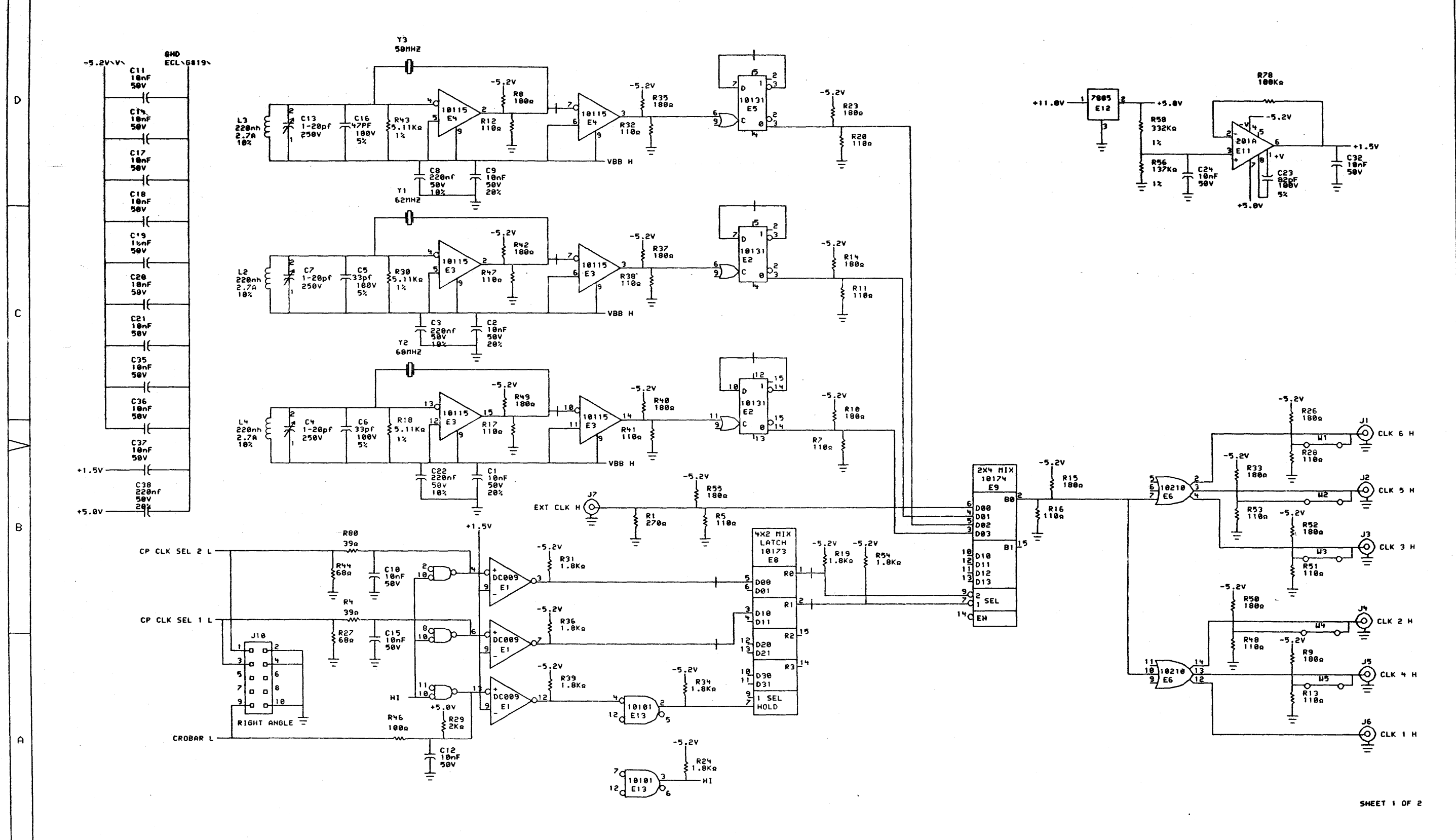
4

3

2

1

MR

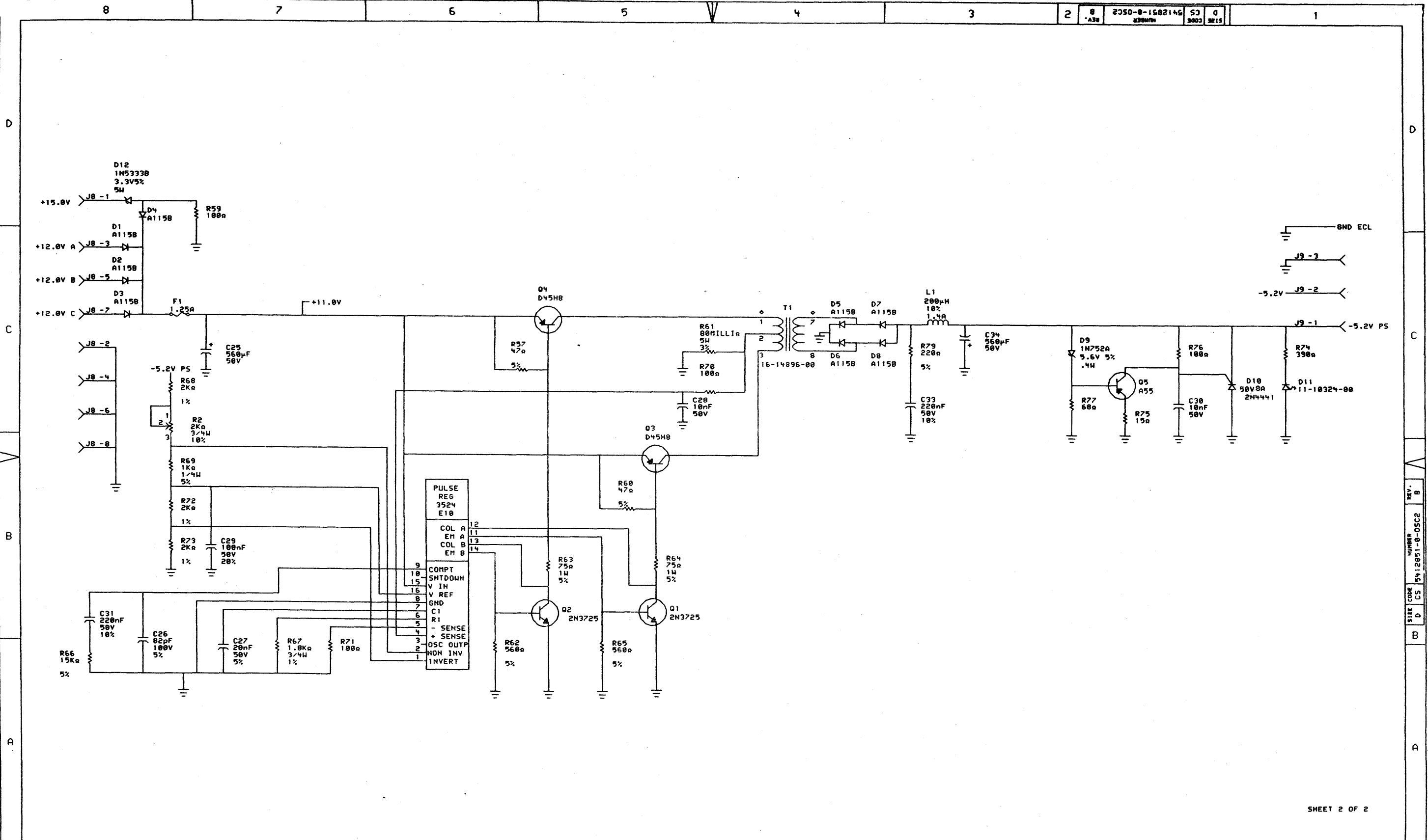


SHEET 1 OF 2

THIS DRAWING AND SPECIFICATIONS ARE THE PROPERTY OF DIGITAL EQUIPMENT CORPORATION AND SHALL NOT BE REPRODUCED OR COPIED OR USED IN WHOLE OR IN PART AS THE BASIS FOR THE MANUFACTURE OF ANY ITEM WITHOUT WRITTEN PERMISSION. COPYRIGHT © 1979, DIGITAL EQUIPMENT CORPORATION.

| REV | NO. | DATE | BY | CHK | DESCRIPTION |
|-----|-----|----------|----|-----|----------------|
| 1 | A | 10-22-79 | DR | DR | INITIAL DESIGN |
| 2 | B | 10-22-79 | DR | DR | REVISION |

| | | | | |
|-----------------------------|----------------|----------------|-----------------------|--------------------------------|
| DRN | DATE | ENG | DATE | TITLE |
| DR | 10-22-79 | DR | 10-22-79 | MASTER OSCILLATOR SELECT LOGIC |
| CHK | DATE | BOARD LOCATION | SHEET | OF |
| CHK | 10-22-79 | 10150 | 1 | 1 |
| PS: (BOWEN) MOSCIF, DRN | 10-22-79 | 10150 | NEXT HIGHER ASSEMBLY: | SIZE CODE |
| FIRST USED ON OPTION/MODEL: | KW20 | D-DD-5412851-0 | D | CS |
| NUMBER | 5412851-0-OSCI | REV. | A | |



SHEET 2 OF 2

THIS DRAWING AND SPECIFICATIONS, HEREIN, ARE THE PROPERTY OF DIGITAL EQUIPMENT CORPORATION AND SHALL NOT BE REPRODUCED OR COPIED OR USED IN WHOLE OR IN PART AS THE BASIS FOR THE MANUFACTURE OR SALE OF ITEMS WITHOUT WRITTEN PERMISSION. COPYRIGHT © 1979, DIGITAL EQUIPMENT CORPORATION.

| REVISIONS | |
|-----------|----------------|
| CHK | CHANGE NO. REV |
| MROD2 | B |
| CHONG LIU | |

| | | | | | |
|----------------------------------|--------------------------|----------------|--------------------------------------|-------------------------|---------------------------------------|
| digital | DRN <i>P. Lucian</i> | DATE 22-OCT-79 | ENG <i>[Signature]</i> | DATE <i>[Signature]</i> | TITLE: MASTER OSCILLATOR POWER SUPPLY |
| | CHK'D <i>[Signature]</i> | DATE 18-OCT-79 | BOARD LOCATION: 1 | SHEET 1 OF 1 | |
| FIRST USED ON OPTION/MODEL: KW20 | | | NEXT HIGHER ASSEMBLY: D-DD-5412851-0 | | |
| SIZE | CODE | NUMBER | REV. | | |
| D | CS | 5412851-0-OSC2 | B | | |

SIZE CODE NUMBER REV.
 D CS 5412851-0-OSC2 B

MK

| DRAWING NUMBER | PAGE | PART NO. | DESCRIPTION | REVISIONS | |
|-------------------|------|----------|-----------------------|-----------|---|
| | | | FILE: ORIGINAL LAYOUT | | |
| | | | ECO NUMBER | 1 | |
| | | | MODULE REVISION | A | B |
| D-UA-M8572-0-0 | 5 | | CABLE BOARD | A | B |
| K-PL-M8572-0-DBP | 1 | | PARTS LIST | A | B |
| K-PL-M8572-YA-DBP | 1 | | PARTS LIST | A | A |
| D-CS-M8572-0-XCD1 | 1 | | CLK SEL LOGIC | - | - |
| D-CS-M8572-0-XCD2 | 1 | | XBUS CABLE | - | A |
| D-CS-M8572-0-XCD3 | 1 | | POWER AND GND | - | - |
| D-MD-5012820-0-0 | 5 | | DRILL & ETCH DRAWING | A | A |
| | | 5012820 | ETCH CIRCUIT BOARD | D | D |
| K-PC-M8572-0-DBC | - | | P.C. DESIGN DATA BASE | A | A |

NOTES:

THIS DRAWING AND SPECIFICATIONS HEREIN ARE THE PROPERTY OF DIGITAL EQUIPMENT CORPORATION AND SHALL NOT BE REPRODUCED OR COPIED OR USED IN WHOLE OR IN PART AS THE BASIS FOR THE MANUFACTURE OR SALE OF ITEMS WITHOUT WRITTEN PERMISSION. COPYRIGHT © 1978. DIGITAL EQUIPMENT CORPORATION

| REVISIONS | | |
|-----------|-------------|-----|
| CHK | CHANGE NO. | REV |
| | M8572-MR001 | A |
| | | |

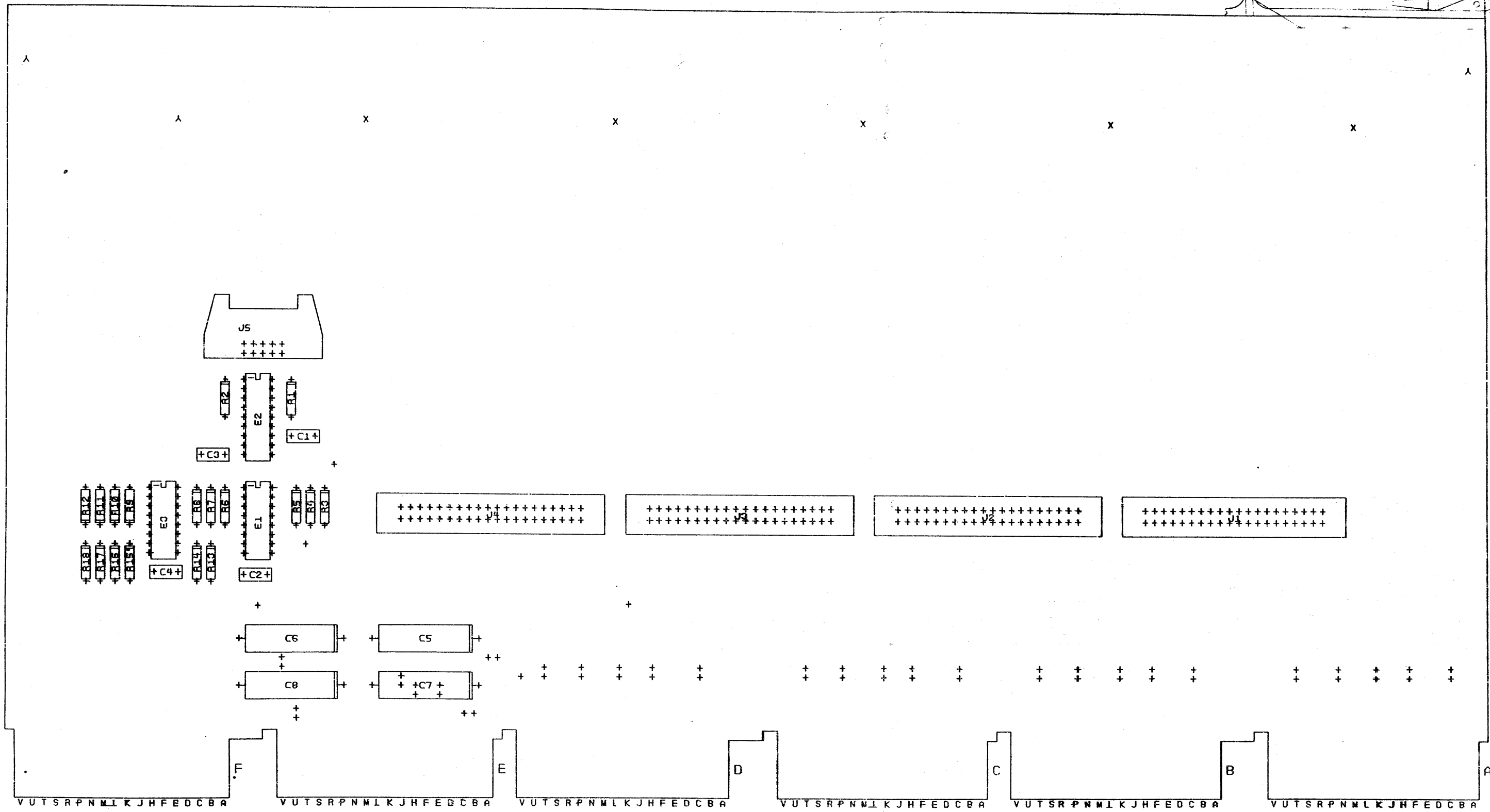
| | | | | | |
|----------------------------------|----------------------|-----------------|------------------------------|----------------|--------------------|
| digital | DRW: <i>J. Looby</i> | DATE: 11-DEC-78 | ENG: CSMITH | DATE: 27/11/78 | TITLE: CABLE BOARD |
| | CHK'D: M. NORMAND | DATE: 27/11/78 | BOARD LOCATION: SHEET 1 OF 1 | SIZE: D DD | NUMBER: M8572-0 |
| DSK: 8572DD.T2P(4,550) | | 11-DEC-78 16:14 | NEXT HIGHER ASSEMBLY: | REV: A | |
| FIRST USED ON OPTION/MODEL: MF20 | | NONE | | | |

THIS DRAWING AND SPECIFICATIONS, GENERAL AND SPECIAL, ARE THE PROPERTY OF DIGITAL EQUIPMENT CORPORATION AND SHALL NOT BE REPRODUCED OR COPIED IN WHOLE OR IN PART FOR THE PURPOSES OF THE MANUFACTURE OR SALE OF EQUIPMENT WITHOUT WRITTEN PERMISSION. COMPANY CONFIDENTIAL

13(QTY 12)

COMPONENT SIDE VIEW

12



NOTES:

| | | | |
|-----------|-----|---------|----------|
| CHANGE NO | REV | DATE | BY |
| 1 | 1 | 5-27-78 | T. BOWEN |
| 2 | 1 | 7-7-78 | T. BOWEN |

| | |
|----------------------------|---|
| ETCH REV. | D |
| P.C. DESIGN DATA BASE REV. | A |

| | | |
|--------------------------------|---------|--|
| SIGNATURES | DATE | digital |
| DRN. <i>[Signature]</i> | 5-27-78 | |
| CHK. <i>[Signature]</i> | 7-7-78 | TITLE X-BUS CABLE BOARD |
| ENG. <i>[Signature]</i> | 7-7-78 | |
| PROJ. ENG. <i>[Signature]</i> | 7-7-78 | SIZE CODE NUMBER REV D UA M8572-0-0 B |
| SCALE 2/1 | 7-7-78 | |
| SHT. 1 OF 5 | | |
| NEXT HIGHER ASSY. B-DD-M8572-0 | | |