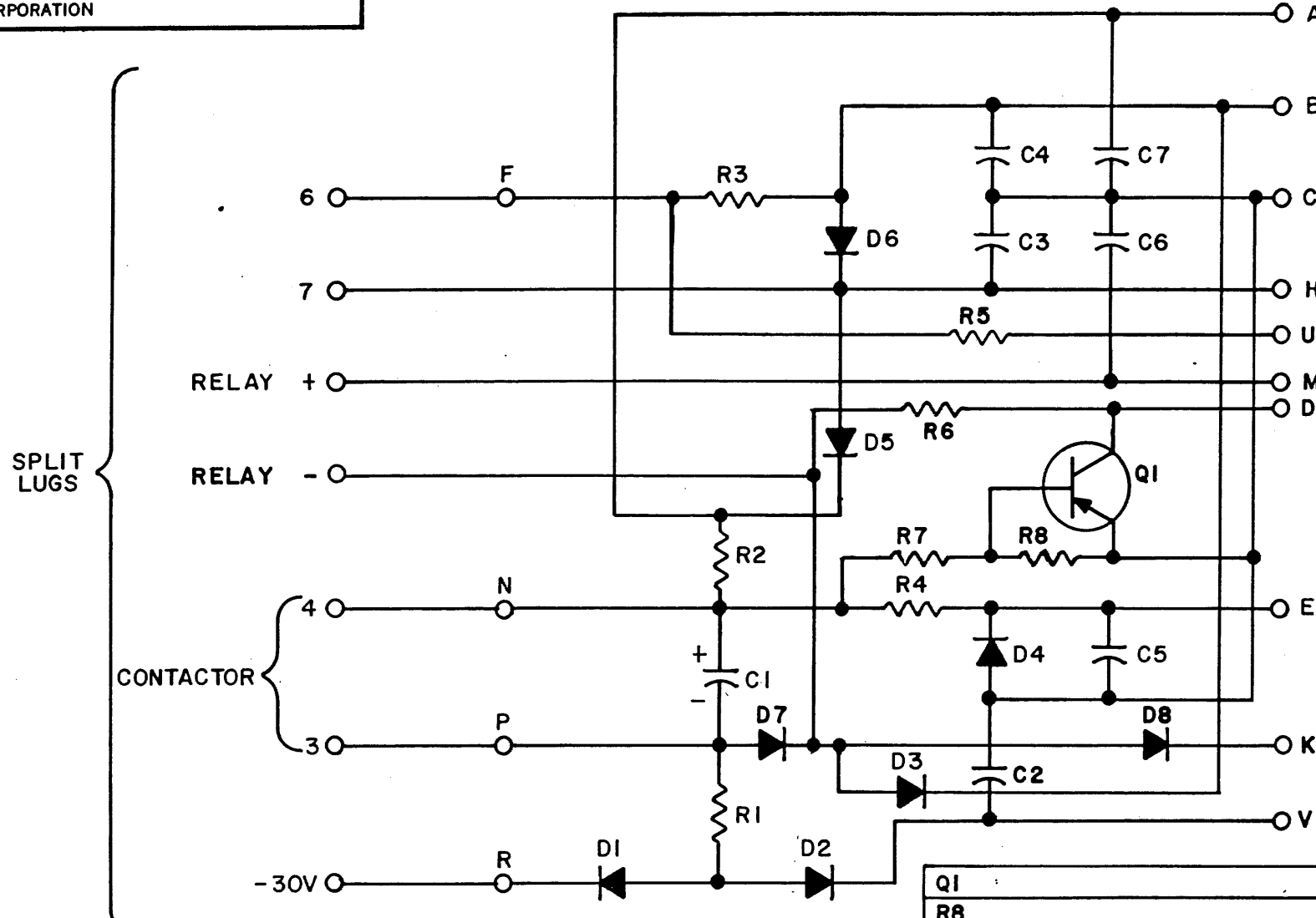


THIS SCHEMATIC IS FURNISHED ONLY FOR TEST AND MAINTENANCE PURPOSES. THE CIRCUITS ARE PROPRIETARY IN NATURE AND SHOULD BE TREATED ACCORDINGLY. COPYRIGHT 1967 BY DIGITAL EQUIPMENT CORPORATION

TYPICAL PIN ASSIGNMENTS

PIN	B	8 I, 8L	DC08
A	+10V	+5V	+5V
B	-15V	-15V	+5V
C	GND	GND	GND
H	LOGIC INPUT	LOGIC INPUT	—
U	—	—	LOGIC INPUT
M	READER ENABLE	READER ENABLE	READER ENABLE
D	LOGIC OUTPUT	—	—
E	—	LOGIC OUTPUT	LOGIC OUTPUT
K	—	—	-15V
V	-30V OPTIONAL	-30V OPTIONAL	-30V OPTIONAL



Q1	TRANSISTOR DEC6534D	1503409
R8	RES. 1.5K 1/4W 5% CC	1300391
R6	RES. 1.8K 1/2W 10% CC	1300400
R7	RES. 10K 1/4W 10% CC	1300481
R3,R4	RES. 750 1/2W 5% CC	1300354
R2	RES. 750 2W 5% CC	1301984
R1	RES. 1K 1W 10% CC	1301499
R5	RES. 120 1/2W 5% CC	1300243
D1-D8	DIODE D671	1103309
C2-C7	CAP. .01MFD 100V 20% DISC	1001610
C1	CAP. 1MFD 150V 10% FOIL	1000063
PARTS LIST		A-PL-W076-0-0
REFERENCE DESIGNATION	DESCRIPTION	PART NO.

REVISIONS	CHK	CHG NO.	REV.	A	B	C	D
REV. & REDR.	7010						
W/P	00001						
DRG	00002						
REV.	00003						
REV.	00004						
REV.	00005						

DRN. M. HALLER	DATE 5-18-67
CHK'D N. PERRYMAN	DATE 5-23-67
ENG. R. SOGGE	DATE 5-25-67
PROD.	DATE

TRANSISTOR & DIODE CONVERSION CHART			
DEC		EIA	
DEC6534D		MPS6534	
D671		1N3653	

digital
EQUIPMENT CORPORATION
MAYNARD, MASSACHUSETTS

TITLE				REV.	
TELETYPE CONNECTOR W076				D	
SIZE B	CODE CS	NUMBER W076-0-1			
PRINTED CIRCUIT REV.			D		