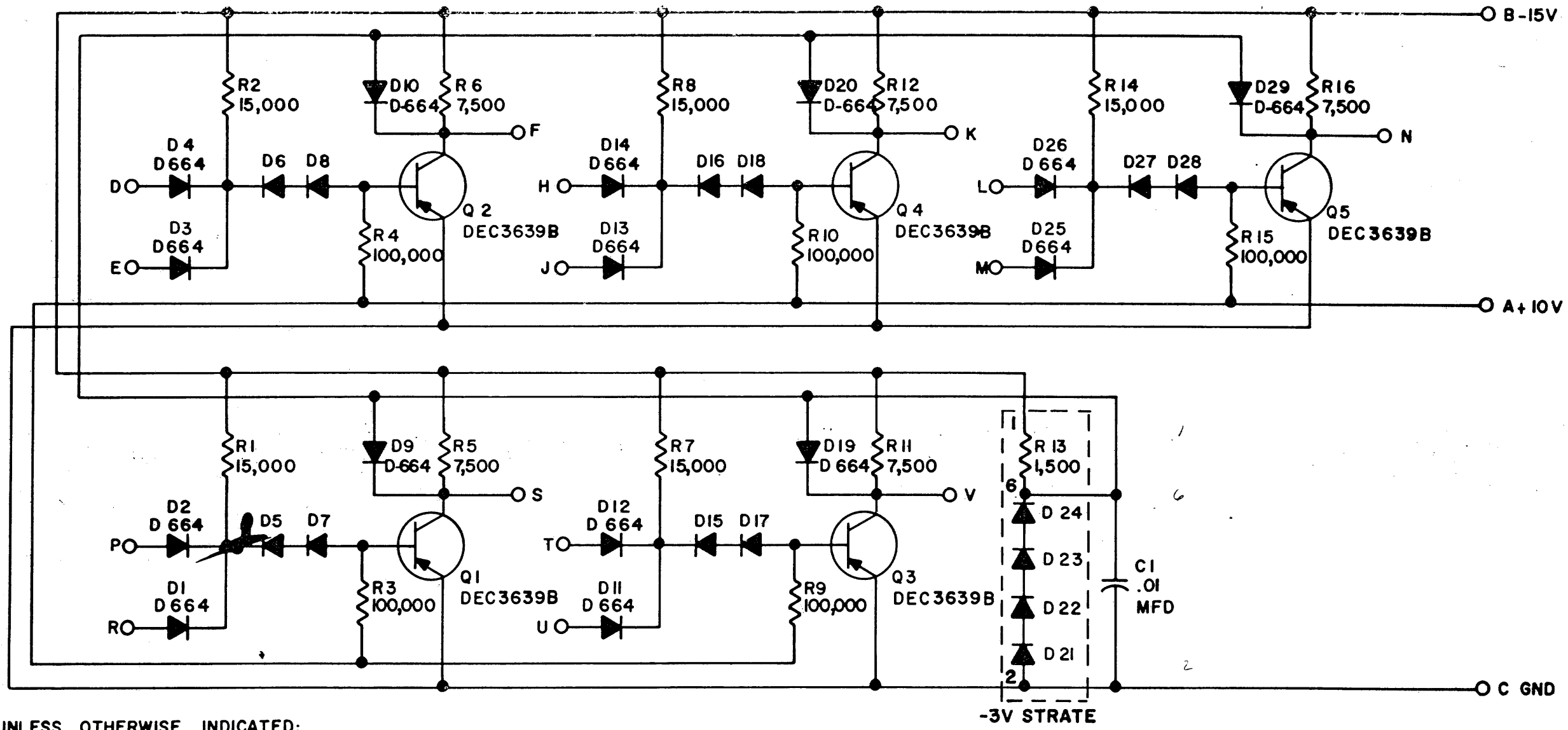


THIS SCHEMATIC IS FURNISHED ONLY FOR TEST AND MAINTENANCE PURPOSES. THE CIRCUITS ARE PROPRIETARY IN NATURE AND SHOULD BE TREATED ACCORDINGLY. COPYRIGHT 1965 BY DIGITAL EQUIPMENT CORPORATION



UNLESS OTHERWISE INDICATED:
RESISTORS ARE 1/4 W, 5%
DIODES ARE D 662



REVISIONS	CHK	CHG NO.	REV.
	REV. & REDR.	5646	A
		6540	B

DRN. I. HAHN	DATE 2-18-65
CHK'D N. PERRYMAN	DATE 2-19-65
ENG. B. SCUDNEY	DATE 2-19-65
PROD.	DATE

TRANSISTOR & DIODE CONVERSION CHART			
DEC		EIA	
DEC3639B		2N3639	
D662		1N645	
D664		1N3606	

digital
EQUIPMENT CORPORATION
MAYNARD, MASSACHUSETTS

TITLE DIODE GATE R113			
SIZE B	CODE CS	NUMBER R113-0-1	REV. B
PRINTED CIRCUIT REV.			A B