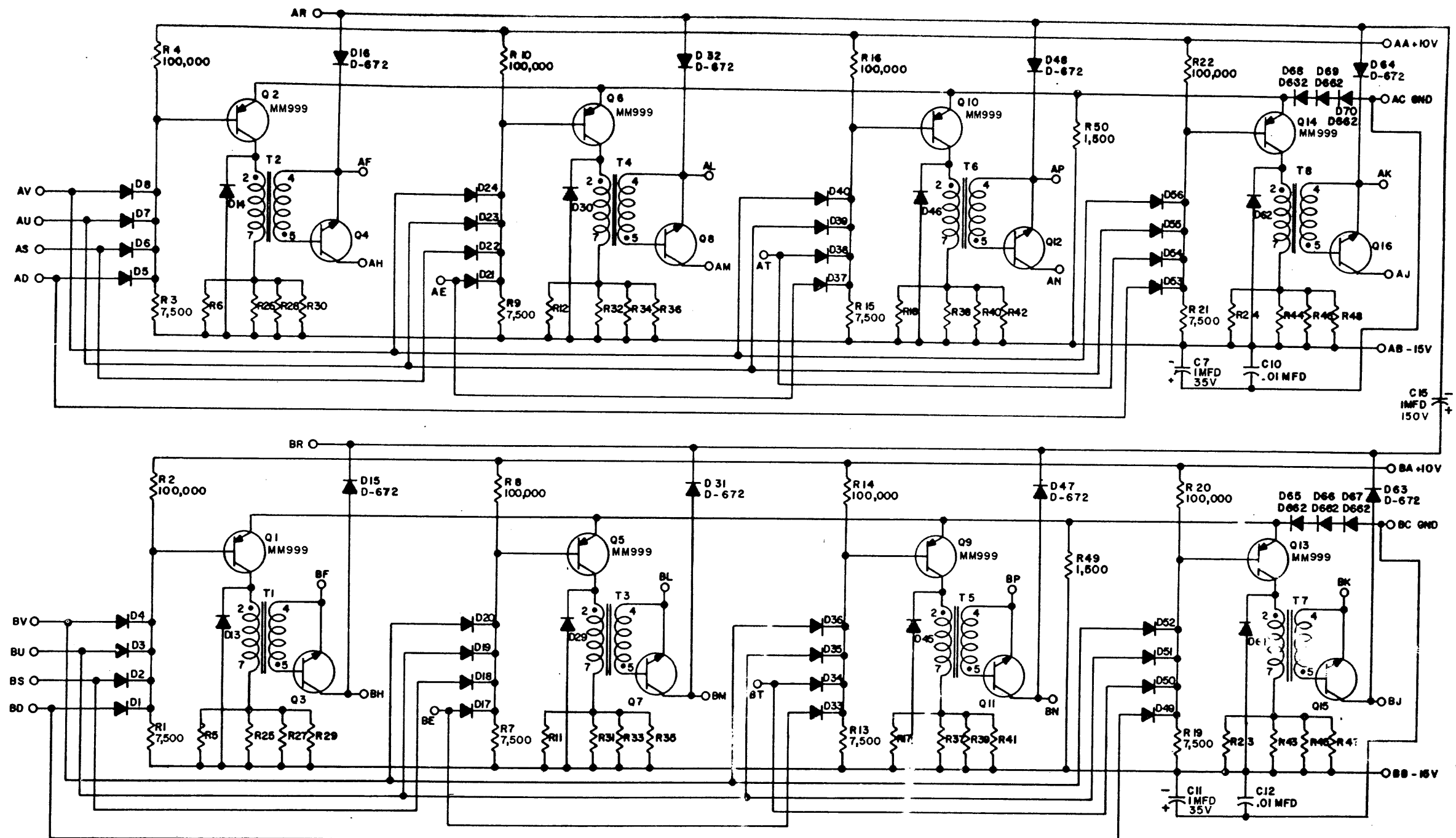


THIS SCHEMATIC IS FURNISHED ONLY FOR TEST AND MAINTENANCE PURPOSES. THE CIRCUITS ARE PROPRIETARY IN NATURE AND SHOULD BE TREATED ACCORDINGLY. COPYRIGHT 1968 BY DIGITAL EQUIPMENT CORPORATION



UNLESS OTHERWISE INDICATED:
 TRANSFORMERS ARE T-2071
 TRANSISTORS ARE DEC1011
 RESISTORS ARE 1/4 W, 5%
 DIODES ARE D-664
 RESISTORS ARE 1/200, 1/4 W, 10%

USE THE ETCH BOARD OF THE G209

PARTS LIST A-PL-G217-0-0

REV.	CHK	ENG	NO.	REV.
1			00001	A
2			00002	C
3			00003	D
4			00004	E

DRM.	DATE	DEC	EIA
Dr. Keller	12-18-68	DEC1011	NONE
Mr. W. W. ...	12-20-68	DEC6B	NONE
...	1-11-69	D662	IN645
...	...	D664	IN3608
...	...	D672	IN3653

TRANSISTOR & DIODE CONVERSION CHART			
DEC	EIA	DEC	EIA
DEC1011	NONE		
DEC6B	NONE		
D662	IN645		
D664	IN3608		
D672	IN3653		

digital EQUIPMENT CORPORATION
 MAYNARD, MASSACHUSETTS

TITLE: MEMORY WORD DRIVER G217
 NUMBER: C CS G217-0-1
 REV. E

PRINTED CIRCUIT REV. H

DIST 327434 45357