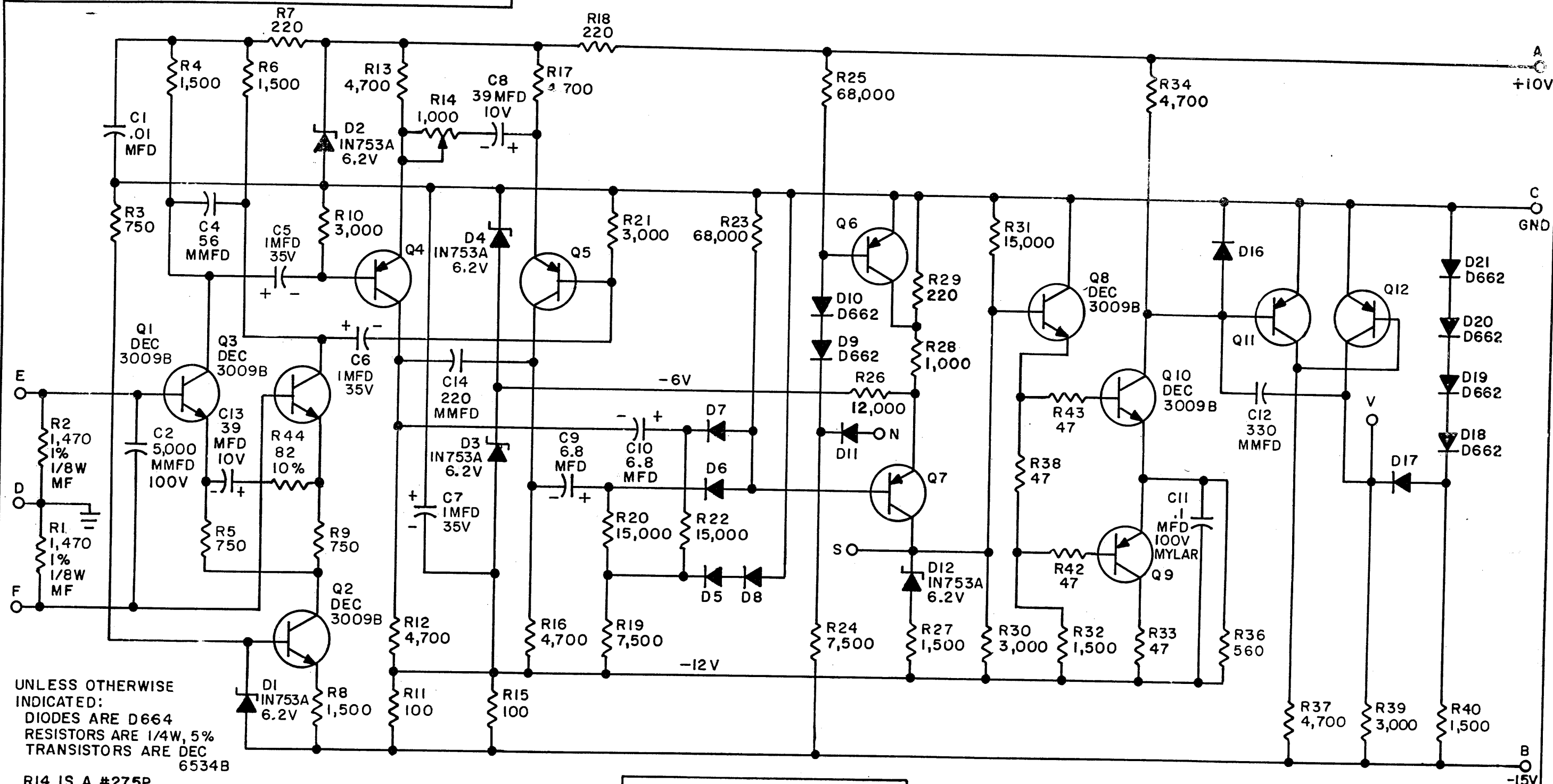


THIS SCHEMATIC IS FURNISHED ONLY FOR TEST AND MAINTENANCE PURPOSES. THE CIRCUITS ARE PROPRIETARY IN NATURE AND SHOULD BE TREATED ACCORDINGLY. COPYRIGHT 1967 BY DIGITAL EQUIPMENT CORPORATION

REV NUMBER SIZE CODE



UNLESS OTHERWISE INDICATED:  
 DIODES ARE D664  
 RESISTORS ARE 1/4W, 5%  
 TRANSISTORS ARE DEC 6534B  
 R14 IS A #275P  
 PARTS LIST A-PL-G084-0-0

| REV | CHG NO. | CHK  |
|-----|---------|------|
| B   | 6772    | M.H. |
| C   | 7153    | M.H. |
| D   | 0001    | M.H. |

|                          |                |
|--------------------------|----------------|
| DRN.<br><i>M. Haller</i> | DATE<br>4-5-67 |
| CHK'D                    | DATE           |
| ENG.                     | DATE           |
| PROD.                    | DATE           |

| TRANSISTOR & DIODE CONVERSION CHART |         |        |      |
|-------------------------------------|---------|--------|------|
| DEC                                 | EIA     | DEC    | EIA  |
| DEC3009B                            | 2N3009  | IN753A | SAME |
| DEC6534B                            | MPS6534 |        |      |
| D662                                | IN645   |        |      |
| D664                                | IN3606  |        |      |

**digital**  
 EQUIPMENT CORPORATION  
 MAYNARD, MASSACHUSETTS

|                                   |            |                    |           |
|-----------------------------------|------------|--------------------|-----------|
| TITLE<br>MAG. TAPE READ AMP. G084 |            |                    |           |
| SIZE<br>B                         | CODE<br>CS | NUMBER<br>G084-0-1 | REV.<br>D |
| PRINTED CIRCUIT REV. C            |            |                    |           |

DEC FORM NO. DRB 102

DIST. 324 1134 1135