

**digital**

## **RK 05 - H**

**Engineering Drawings**

Digital Equipment Corporation

The material herein is for information purposes only and is subject to change without notice. Digital Equipment Corporation assumes no responsibility for any errors which may appear herein.

These drawings and specifications herein are the property of Digital Equipment Corporation and shall not be reproduced or copied or used in whole or in part as the basis for the manufacture or sale of items without written permission.  
Copyright © 1975 Digital Equipment Corporation





"THE MATERIAL HEREIN IS FOR INFORMATION PURPOSES ONLY AND IS SUBJECT TO CHANGE WITHOUT NOTICE. DIGITAL EQUIPMENT CORPORATION ASSUMES NO RESPONSIBILITY FOR ANY ERRORS WHICH MAY APPEAR HEREIN."

# FIELD MAINTENANCE PRINT SET

"THIS DRAWING AND SPECIFICATIONS, HEREIN, ARE THE PROPERTY OF DIGITAL EQUIPMENT CORPORATION AND SHALL NOT BE REPRODUCED OR COPIED OR USED IN WHOLE OR IN PART AS THE BASIS FOR THE MANUFACTURE OR SALE OF ITEMS WITHOUT WRITTEN PERMISSION. COPYRIGHT © 1977, DIGITAL EQUIPMENT CORPORATION."

## TABLE OF CONTENTS

MP00435	FIELD MAINTENANCE PRINT SET ORDER NUMBER
B-TC-RK05-H-1	RK05-H UNIT SELECT SWITCH (HA/HB)
B-DD-RK05-H	RK05 UNIT SELECT SWITCH
D-UA-RK05-H-0	UNIT SELECT SWITCH ASSY
D-CS-M7700-YA-1	M7700 WITH REMOTE SELECT CAPABILITY
C-IA-7014164-0-0	REMOTE SWITCH CABLE ASSY

### UNIT VARIATIONS COVERED BY THIS PRINT SET

RK05-HA  
RK05-HB

RK05-HA/HB  
**Field Maintenance  
Print Set**

**Digital Equipment  
Corporation**  
PRINT SET ORDER NUMBER  
MP00435

REVISIONS		USED ON OPTION/MODEL	DRN.	DATE	TITLE: RK05 UNIT SELECT SWITCH (HA HB)	digital		
DATE	CHG. NO.	RK05	CHK'D	DATE				
			PROJ. ENG.	DATE				
			FIELD SERV.	DATE				
9/29/77	1			Mankew	6/2/77	SIZE B	CODE TC	NUMBER RK05-H-1
					DIST.			

EN 01124 16 N576 (327)

SHEET 1 OF 1

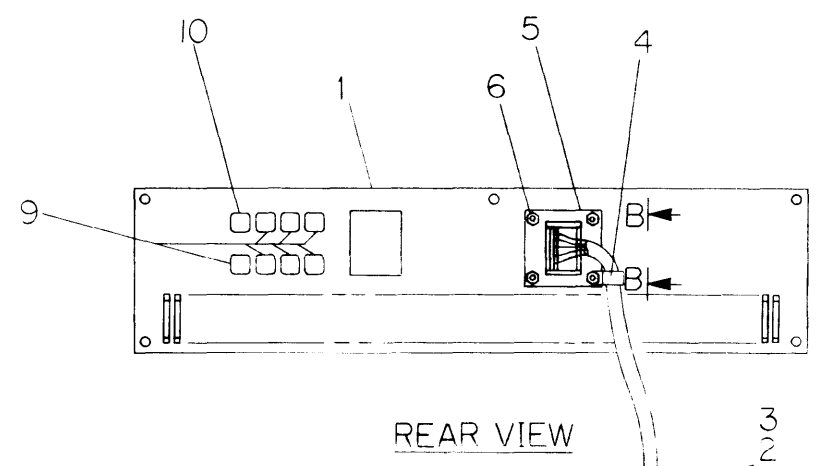
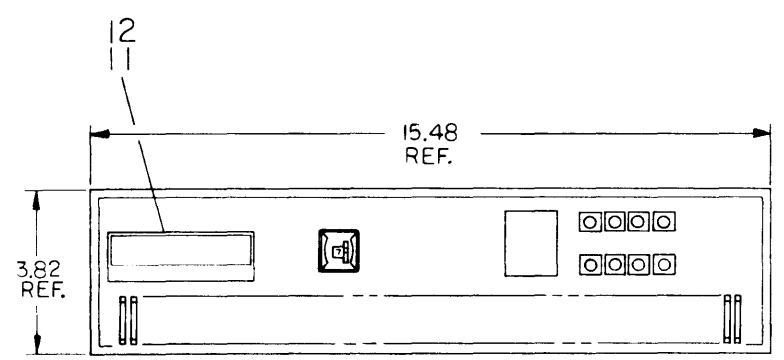


8 7 6 5 4 3 2 1

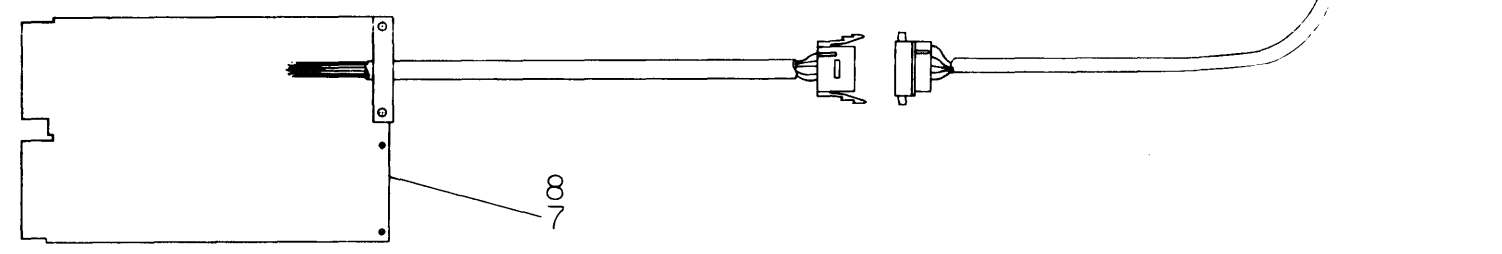
"THIS DRAWING AND SPECIFICATIONS, HEREIN, ARE THE PROPERTY OF DIGITAL EQUIPMENT CORPORATION AND SHALL NOT BE REPRODUCED OR COPIED OR USED IN WHOLE OR IN PART AS THE BASIS FOR THE MANUFACTURE OR SALE OF ITEMS WITHOUT WRITTEN PERMISSION. COPYRIGHT © 1977, DIGITAL EQUIPMENT CORPORATION"

LEGEND	
NUMBER	VARIATION
RK05-HA	M7700-YA
RK05-HB	M7700-YA
RK05-HC	M7680-YA

NOTES:  
 1. FOR USE WITH RK05 BACK ASSEMBLY (REF. PART NO. D-VA-RK05F-0-2) AND A-PLATE (REF. PART NO. 7010518-0) REMOVE FRONT PANEL (ITEM 1) AND M7700 OR M7680 MODULE AND REPLACE WITH THIS PANEL AND MOUNT ASSEMBLY.



REAR VIEW



QTY	DESCRIPTION	DWG./PART NO.	ITEM NO.
1	DECAL, (RK05J)	A-DC-7414784-0-1	12
1	DECAL, (RK05F)	A-DC-7419186-0-1	11
1	LIGHT CHANNEL (RED)	1211334-01	10
7	LIGHT CHANNEL (OPAQUE)	1211334-00	9
-	MODULE, M7700-YA	M7700-YA	8
1	MODULE, M7680-YA	M7680-YA	7
4	NUT, KEPS * 6-32	9006560	6
1	BRKT., THUMBWHEEL SW.	B-MD-7412995-0-0	5
1	CLAMP, CABLE 5/16 DIA.	9007082	4
1	CABLE, UNIT SELECT (0-7)	7010518-1	3
1	CABLE, UNIT SELECT (0-3)	7010518-0	2
1	PANEL, FRONT	D-IA-7412795-0-0	1

REV.	CHANGE NO.	DESCRIPTION
1	1	ORIGINATED
2	1	REVISED
3	1	REVISED
4	1	REVISED
5	1	REVISED
6	1	REVISED
7	1	REVISED
8	1	REVISED

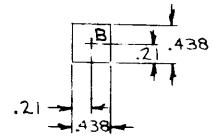
THIRD ANGLE PROJECTION	DRN: <i>[Signature]</i>	FIRST USED ON: RK05
REMOVE BURRS AND BREAK SHARP CORNERS	CHK'D: <i>[Signature]</i>	TITLE: UNIT SELECT SWITCH ASSY
DO NOT SCALE DWG	PROJ. ENG: <i>[Signature]</i>	DATE: 6-20-77
MATERIAL: <i>[Blank]</i>	SCALE: <i>[Blank]</i>	SIZE: D
FINISH: <i>[Blank]</i>	SHEET: <i>[Blank]</i>	CODE: UA
		NUMBER: RK05-H-0
		REV: E

8 7 6 5 4 3 2 1

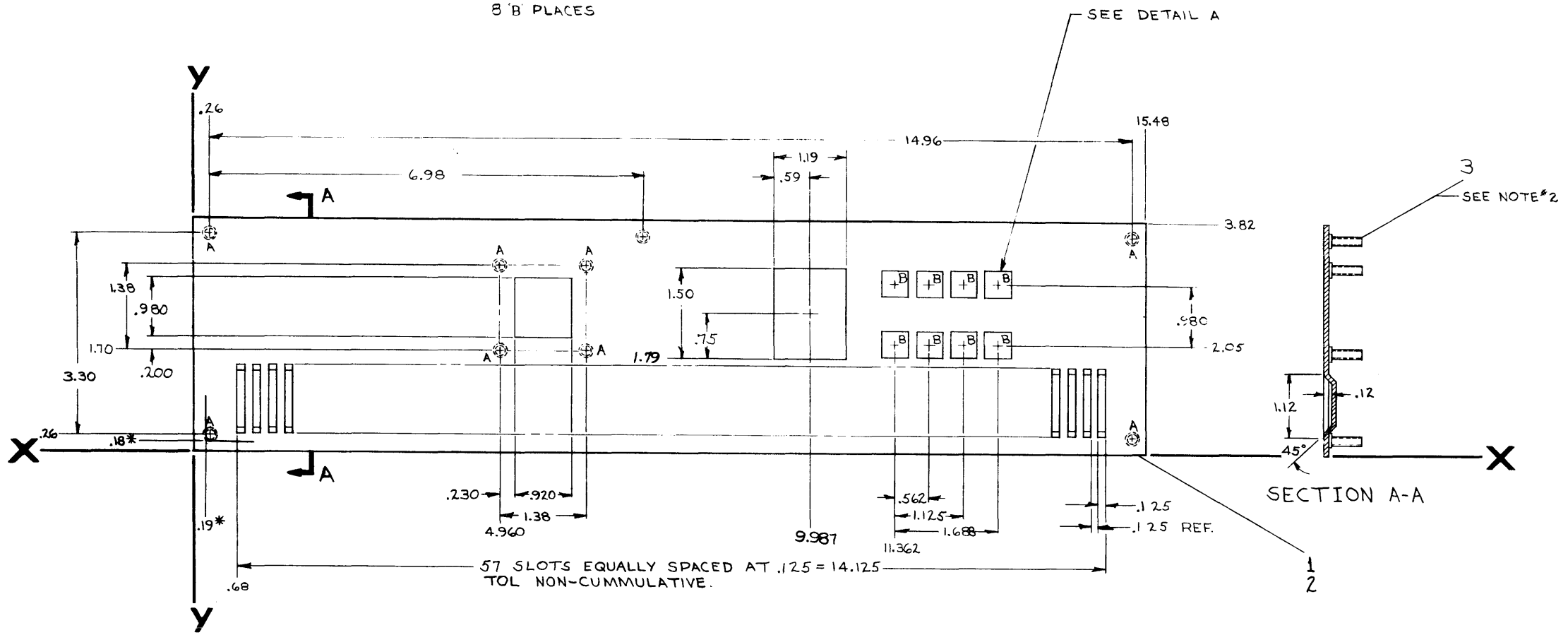
"THIS DRAWING AND SPECIFICATIONS HEREIN ARE THE PROPERTY OF DIGITAL EQUIPMENT CORPORATION AND SHALL NOT BE REPRODUCED OR COPIED OR USED IN WHOLE OR IN PART AS THE BASIS FOR THE MANUFACTURE OR SALE OF ITEMS WITHOUT WRITTEN PERMISSION. COPYRIGHT © 1974, DIGITAL EQUIPMENT CORPORATION"

0-0-962217Z [DIA] 2

NOTES:  
 1. STRAIGHTEN AFTER PUNCHING.  
 2. INSTALL ITEM #3 WELD STUD  
 3. ASTERISK DIMENSIONS FOR SILK SCREEN  
 PURPOSE ONLY.



DETAIL A  
 B-B PLACES



SECTION A-A

QTY.	DESCRIPTION	PART NO.	ITEM NO.
9	WELD STUD 6-32 x 1/2	9008161-1	3
1	SILK SCREEN	B-SS-7412795-0-1	2
1	FRONT PANEL	7412795	1

FIRST USED ON OPTION/MODEL RK05		
DIMENSIONAL TOLERANCE		
DIMENSIONS ARE MILLIMETERS UNLESS OTHERWISE SPECIFIED		
MILLIMETERS	INCHES	ANGLES
XXX ±0.10	XXX ±.005	30° 30'
XX ±0.5	XX ±.02	
X ±2	X ±.1	
THIRD ANGLE PROJECTION	REMOVE BURRS AND BREAK SHARP CORNERS SURFACE QUALITY	NEXT HIGHER ASSY.
MATERIAL	FINISH	

DRN. 8 Markowski	DATE 9-20-74
CHK'D. [Signature]	DATE 1-9-75
ENG. [Signature]	DATE 1-9-75
PROJ. ENG. [Signature]	DATE 1-9-75
PROD. [Signature]	DATE 1-9-75

<b>digital</b>	
TITLE FRONT PANEL	
SIZE CODE DIA	NUMBER 7412795-0-0
SCALE 1:1	REV. 1
SHEET 1 OF 1	DIST.

REVISIONS	NO.	REV.
CHK	CHANGE NO.	

DIA 7412795-0-0

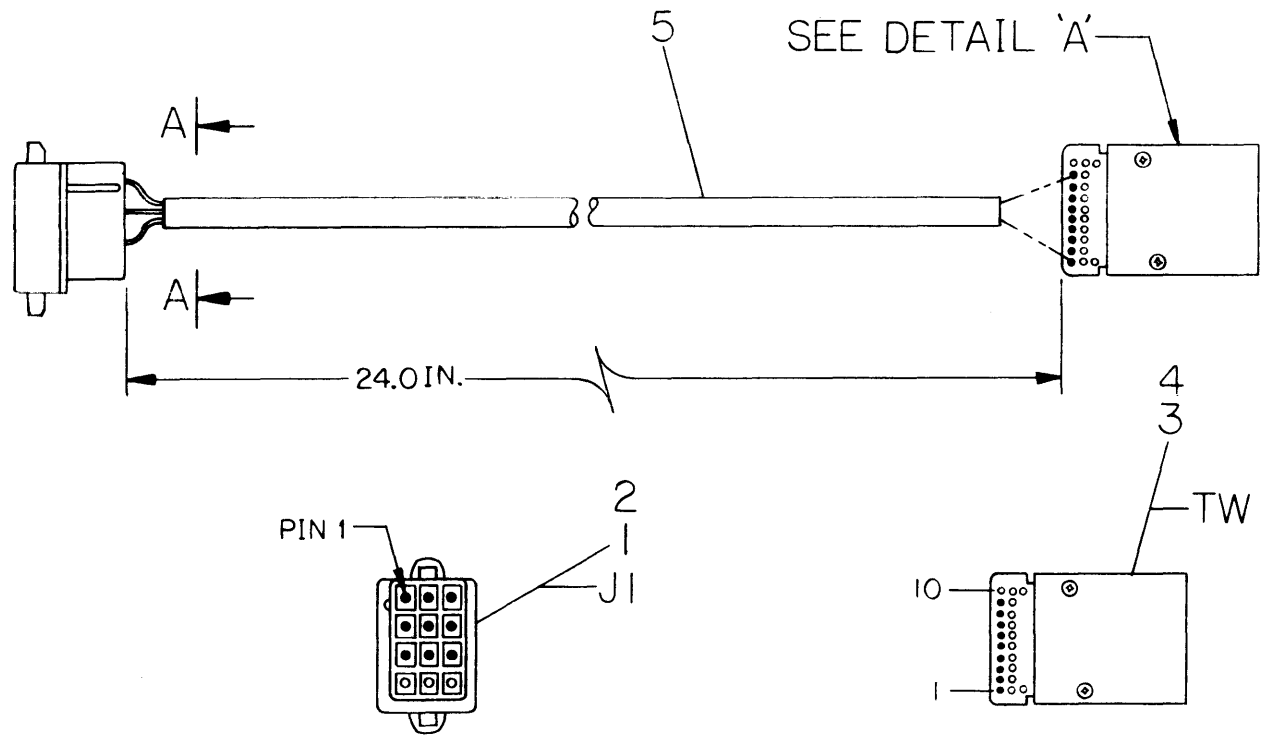
"THIS DRAWING AND SPECIFICATIONS, HEREIN, ARE THE PROPERTY OF DIGITAL EQUIPMENT CORPORATION AND SHALL NOT BE REPRODUCED OR COPIED OR USED IN WHOLE OR IN PART AS THE BASIS FOR THE MANUFACTURE OR SALE OF ITEMS WITHOUT WRITTEN PERMISSION. COPYRIGHT © 1977, DIGITAL EQUIPMENT CORPORATION"

### WIRE TABLE

ITEM NO.	DESCRIPTION		FROM		TO		WIRES LGTH.
	AWG	COLOR	CONN.	WITH	CONN.	WITH	
6	22	RED	TW-1	SOLDER	J1-1	2	27 IN.
7		BLK	TW-2		J1-2		
8		BRN	TW-3		J1-3		
9		ORN	TW-4		J1-4		
10		YEL	TW-5		J1-5		
11		GRN	TW-6		J1-6		
12		BLU	TW-7		J1-7		
13		VIO	TW-8		J1-8		
14	22	WHT	TW-9	SOLDER	J1-9	2	27 IN.

### NOTES:

1. VARIATION "-0" HAS DIAL STOPS INSERTED IN POSITIONS A AND E ON THUMB-WHEEL SWITCH.



VIEW A-A

DETAIL 'A'  
SEE NOTE 1

QTY	DESCRIPTION	DWG./PART NO.	ITEM NO.
27	WIRE, 22 AWG STRD TEF WHT	9107350-99	14
	WIRE, 22 AWG STRD TEF VIO	9107350-77	13
	WIRE, 22 AWG STRD TEF BLU	9107350-66	12
	WIRE, 22 AWG STRD TEF GRN	9107350-55	11
	WIRE, 22 AWG STRD TEF YEL	9107350-44	10
	WIRE, 22 AWG STRD TEF ORN	9107350-33	9
	WIRE, 22 AWG STRD TEF BRN	9107350-11	8
	WIRE, 22 AWG STRD TEF BLK	9107350-00	7
27	WIRE, 22 AWG STRD TEF RED	9107350-22	6
25	TUBING, BLACK 1/4" DIA.	9107243	5
-	2 DIAL STOP	-	4
1	SWITCH, THUMBWHEEL	1213019-00	3
9	PIN, MATE-N-LOCK (MALE)	1209378-03	2
1	CONN. HOUSING, 12 TERM	1209351-12	1

NUMBER	VARIATION
7010518-1	0-7 POSITION SW.
7010518-0	0-3 POSITION SW.

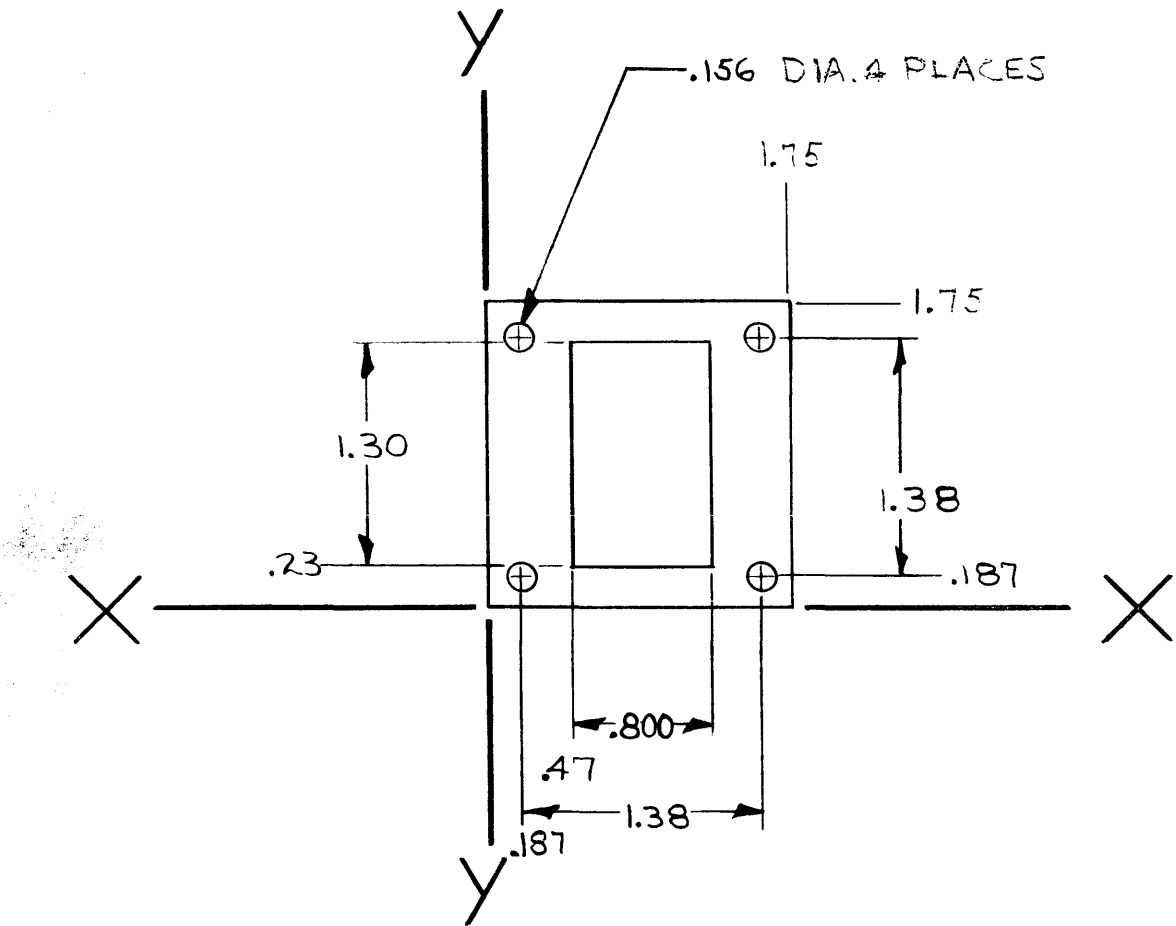
LEGEND

REV.	CHANGE NO.	DESCRIPTION
B	0005	REVISED & REDRAWN
A	0004	REVISED & REDRAWN


7010518-1	7010518-0	UNLESS OTHERWISE SPECIFIED DIMENSIONS ARE IN INCHES					
		ANGLES ±0° 30'	CLASS OF ACCURACY (CHECK ONE)				
SURFACE QUALITY IN MICROINCHES		NOMINAL DIMENSION RANGE INCHES					
<input checked="" type="checkbox"/> MEDIUM <input type="checkbox"/> PREFERRED		OVER 0 TO 0.2	OVER 0.2 TO 1.2	OVER 1.2 TO 4.0	OVER 4.0 TO 12.0	OVER 12.0 TO 40.0	OVER 40.0 TO 80.0
		±.004	±.008	±.012	±.016	±.024	±.04
THIRD ANGLE PROJECTION		DRN. <i>Carl Bider</i> 6-2-77	FIRST USED ON RK05-H <b>digital</b>				
REMOVE BURRS AND BREAK SHARP CORNERS		CHK'D. <i>W. H. ...</i> 1/28/77	TITLE <b>CABLE, ASSY UNIT SELECT</b>				
DO NOT SCALE DWG		ENG. <i>P. ...</i> 6-20-77					
MATERIAL SEE PARTS LIST		PROJ. ENG. <i>P. ...</i> 6-20-77	NEXT HIGHER ASSY.		SIZE CODE NUMBER REV.		
FINISH		PROD. <i>L. ...</i> 6-20-77	D-0A-RK05-H-7		C IA 7010518-C-C B		
SHEET		OF	DIST.		1		



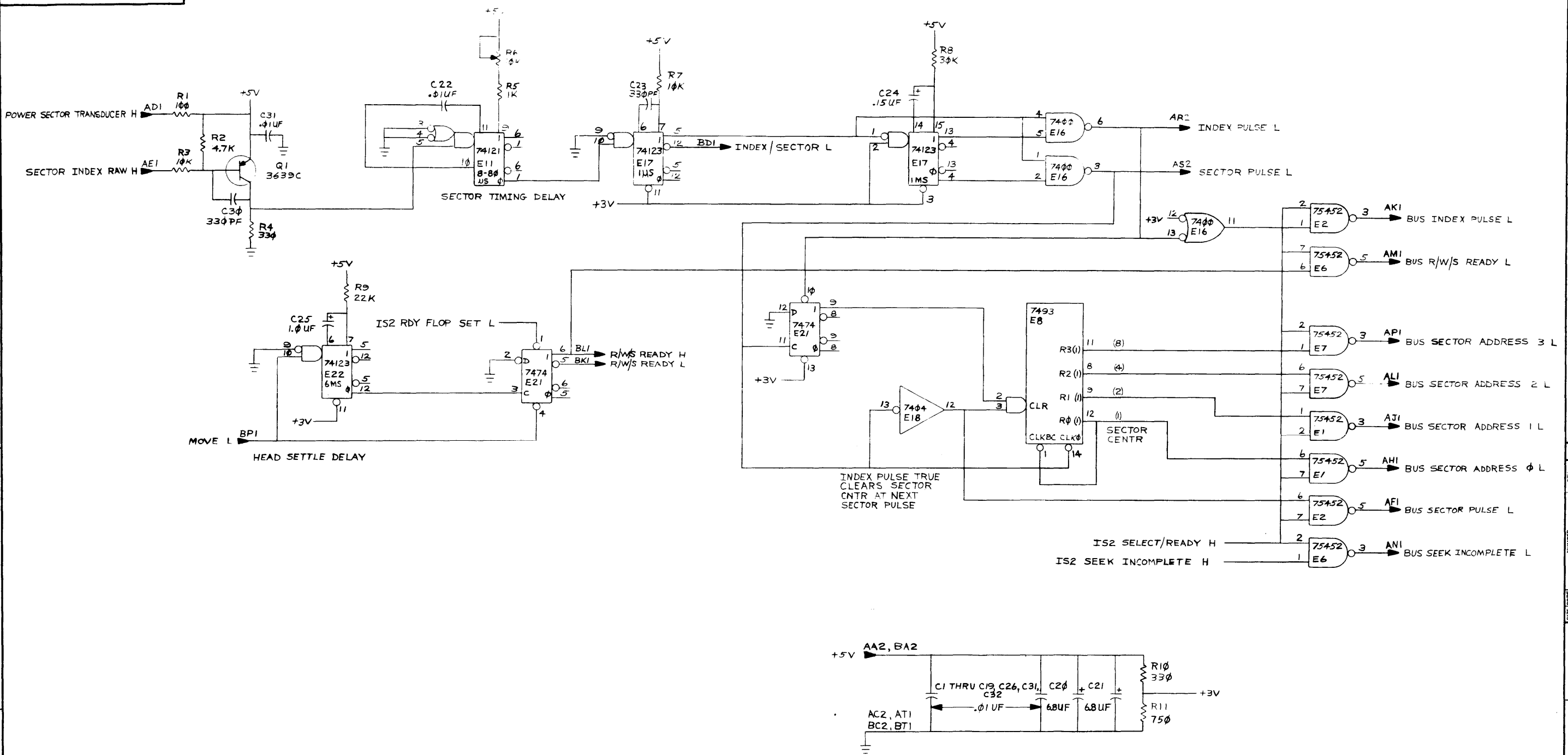
This drawing and specifications, herein, are the property of Digital Equipment Corporation and shall not be reproduced or copied or used in whole or in part as the basis for the manufacture or sale of items without written permission.



REVISIONS	REV.
	CHANGE NO.
CHK	

FIRST USED ON OPT/ MOD RK05	QTY.	DESCRIPTION	PART NO.	ITEM NO.
PARTS LIST				
UNLESS OTHERWISE SPECIFIED	DRN. S. M. ...	DATE 9-23-74	 <b>digital</b> EQUIPMENT CORPORATION MAYNARD, MASSACHUSETTS	
UNLESS OTHERWISE SPECIFIED DIMENSION IN INCHES	CHK'D. ...	DATE 1/15		
TOLERANCES	ENG. P. A. ...	DATE 1-9-75	TITLE THUMBWHEEL SW. BRKT.	
DECIMALS    FRACTIONS    ANGLES ± .005    ± 1/64    ± 0°30'	PROJ. ENG. P. A. ...	DATE 1-9-75		
FINAL SURFACE QUALITY REMOVE BURRS AND BREAK SHARP CORNERS	PROD. P. A. ...	DATE 1-9-75		
MATERIAL .06 THK. AL.	FIRST USED ON D-IA-7010518-0-0	SIZE CODE B MD	NUMBER 7412995-0-0	REV.
FINISH 9200200-00	SCALE 1/1	DIST.		
	SHEET 1 OF 1			

THIS DRAWING AND SPECIFICATIONS, HEREIN, ARE THE PROPERTY OF DIGITAL EQUIPMENT CORPORATION AND SHALL NOT BE REPRODUCED OR COPIED OR USED IN WHOLE OR IN PART AS THE BASIS FOR THE MANUFACTURE OR SALE OF ITEMS WITHOUT WRITTEN PERMISSION. COPYRIGHT © 1976, DIGITAL EQUIPMENT CORPORATION

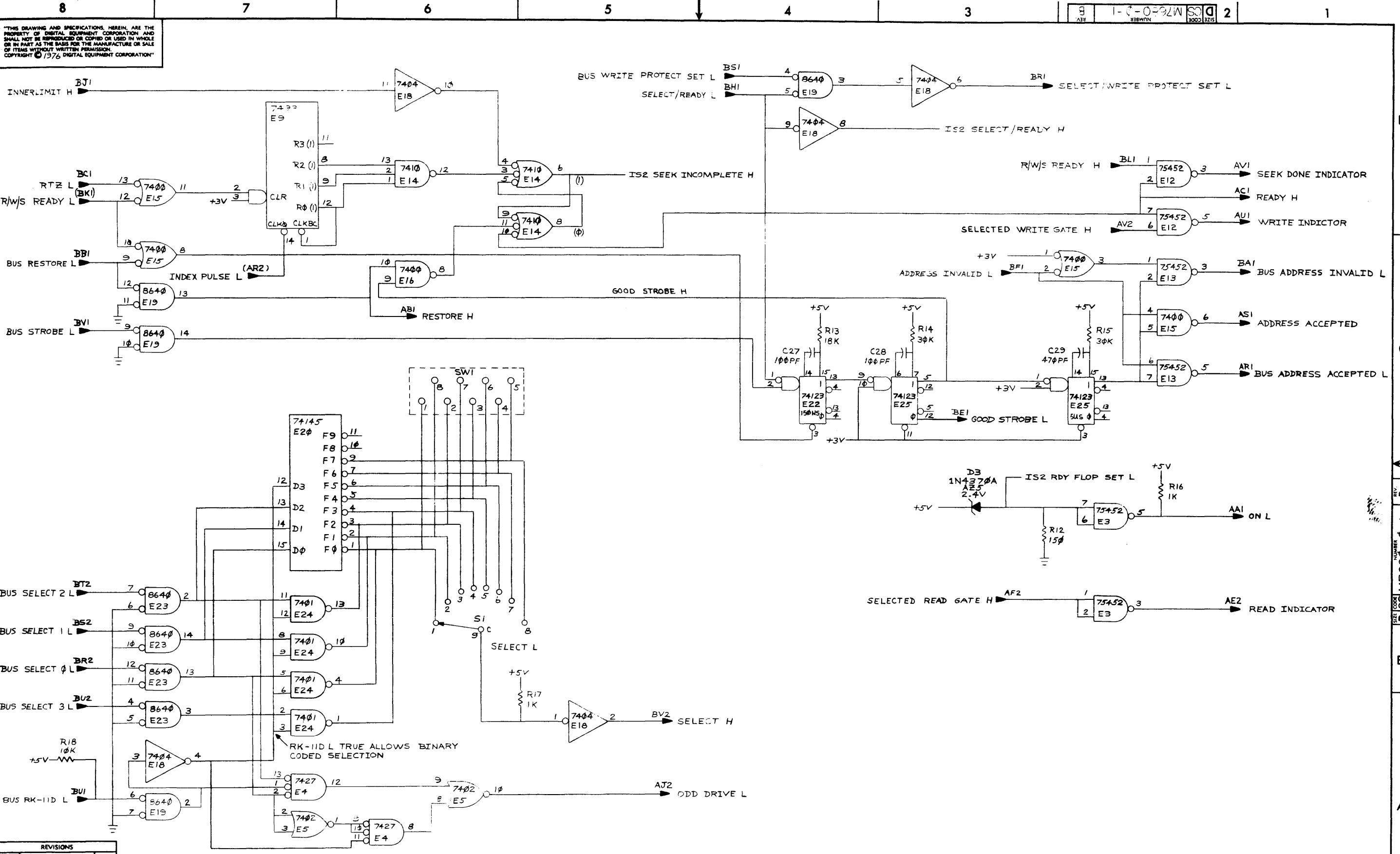


REV.	CHG.	NO.	DATE	BY
B				
A				

REVISIONS  
 CHANGE NO. 00001  
 DATE 5-31-77  
 S. RADOFF

DRN. 22 JAN 76	FIRST USED ON	digital
CHK'D 3 FEB 76	TITLE	(ISI)
ENG.	DEC PACK INDEX AND SECTOR	
PROJ. ENG.		
PROD. 23 FEB 76		
NEXT HIGHER ASSY.	SIZE	CODE
D-UA-M7680-0-0	D	CS
SCALE	NUMBER	REV.
SHEET OF	M7680-0-1	B
DIST.		

REV. B  
NUMBER M7680-0-1  
SIZE CODE D CS



"THIS DRAWING AND SPECIFICATIONS, HEREIN, ARE THE PROPERTY OF DIGITAL EQUIPMENT CORPORATION AND SHALL NOT BE REPRODUCED OR COPIED OR USED IN WHOLE OR IN PART AS THE BASIS FOR THE MANUFACTURE OR SALE OF ITEMS WITHOUT WRITTEN PERMISSION. COPYRIGHT © 1977, DIGITAL EQUIPMENT CORPORATION"

**digital**

**decpack rk05f**

REVISIONS		REV.
CHK	CHANGE NO.	*
	RK05F	
ORIGINATED		

WHITE ON BLACK

DRN. <i>L. Demers</i>	<i>14 JUL 77</i>	FIRST USED ON	<b>digital</b>
CHK'D		<i>RK05F</i>	
ENG.		TITLE	<i>DECAL</i>
PROJ. ENG.			<i>(RK05F)</i>
PROD. <i>Sam Pruett</i>	<i>4 AUG 77</i>		
NEXT HIGHER ASSY.			
	SIZE	CODE	NUMBER
SCALE	<i>A</i>	<i>DC</i>	<i>7419186-0-1</i>
SHEET	OF	DIST.	REV. <i>*</i>

THIS DRAWING AND SPECIFICATIONS HEREIN ARE THE PROPERTY OF DIGITAL EQUIPMENT CORPORATION AND SHALL NOT BE REPRODUCED OR COPIED OR USED IN WHOLE OR IN PART AS THE BASIS FOR THE MANUFACTURE OR SALE OF ITEMS WITHOUT WRITTEN PERMISSION  
 COPYRIGHT © 1975 DIGITAL EQUIPMENT CORPORATION



REVISIONS	CHANGE NO	REV
	RK05-00067	
ORIGINAL		

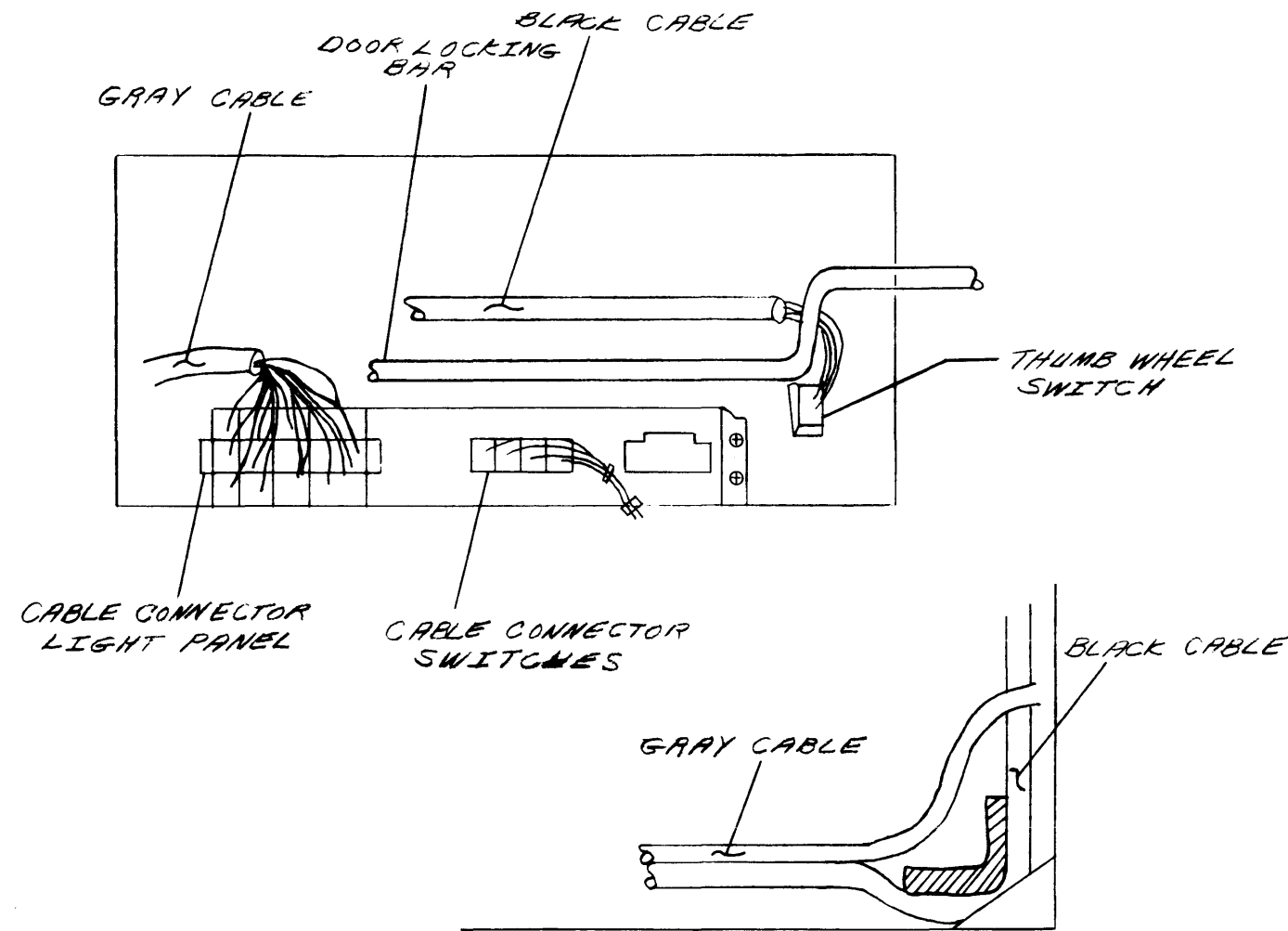
white on black

DRN.	L. Demers 9-15-75		FIRST USED ON	RK05J		digital	
CHK'D			TITLE				
ENG.			DECAL				
PROJ. ENG.			(RK05J)				
PROD.							
NEXT HIGHER ASSY							
	SIZE	CODE	NUMBER	REV			
SCALE	A	DC	74-4784-0-1				
SHEET	OF	DIST					

"THIS DRAWING AND SPECIFICATIONS, HEREIN, ARE THE PROPERTY OF DIGITAL EQUIPMENT CORPORATION AND SHALL NOT BE REPRODUCED OR COPIED OR USED IN WHOLE OR IN PART AS THE BASIS FOR THE MANUFACTURE OR SALE OF ITEMS WITHOUT WRITTEN PERMISSION. COPYRIGHT © DIGITAL EQUIPMENT CORPORATION" 5-13-75

NOTES:

1. CARE MUST BE TAKEN THAT SWITCH AND BLACK CABLE DO NOT INTERFERE WITH OPERATION OF LOCK LOCKING BAR.
2. BLACK CABLE MUST BE ROUTED ON OUTSIDE OF METAL STUD AND TIE WRAPPED TO GRAY CABLE.



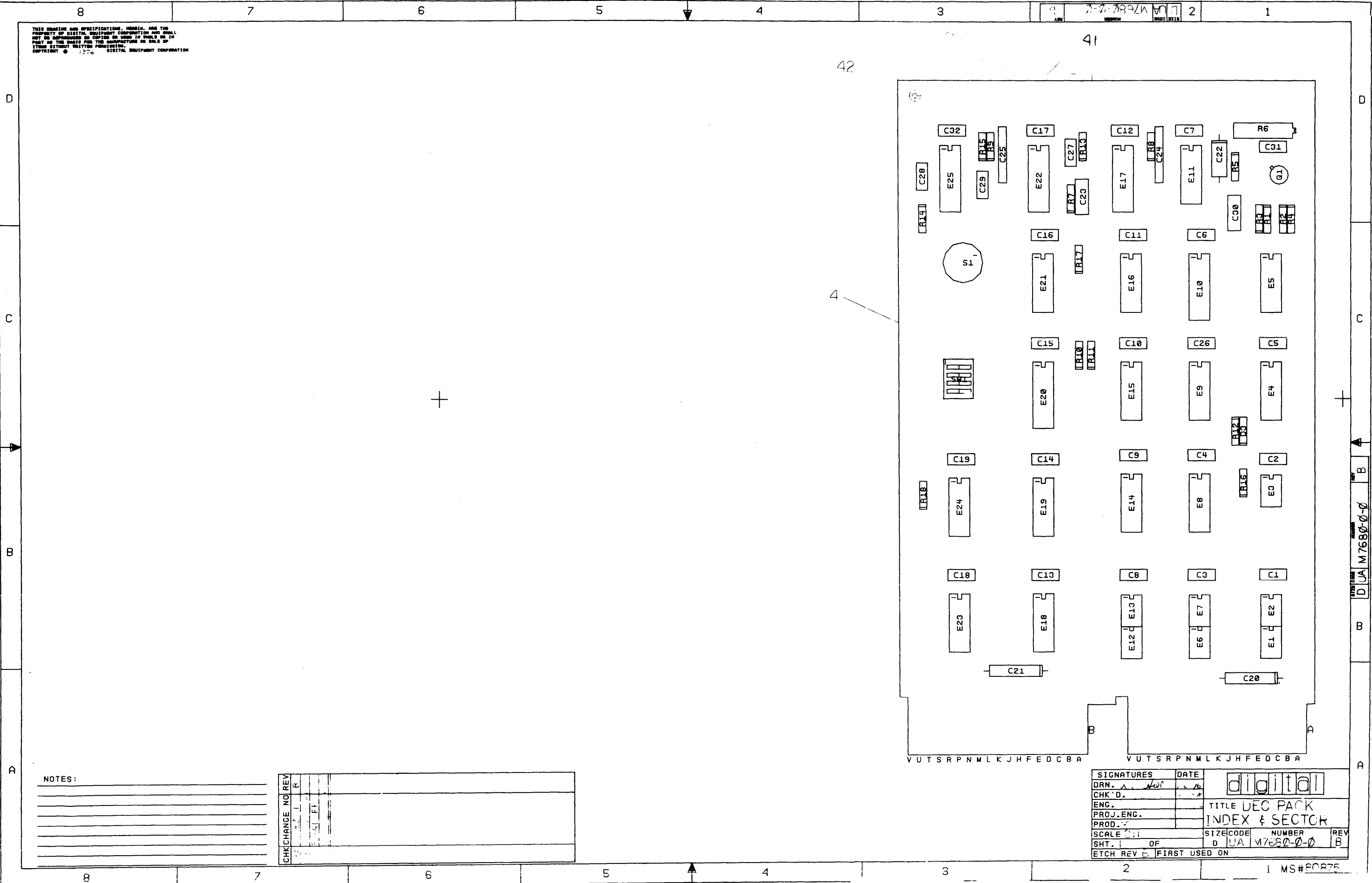
REV. A	CHANGE NO. 7606884-00001	ORIGINATED
CHK		

FIRST USED ON OPTION/MODEL		QTY.	DESCRIPTION	PART NO.	ITEM NO.
RK05					
PARTS LIST					
DIMENSIONAL TOLERANCE		DRN.	DATE		
DIMENSIONS ARE MILLIMETERS INCHES UNLESS OTHERWISE SPECIFIED		CHK'D	DATE		
MILLIMETERS	INCHES	ENG.	DATE		
X,XX = ±0.10 X,X = ±0.5 X = ±2,	.XXX = ±.005 .XX = ±.02 .X = ±.1	P. G. Roberts P. G. Roberts P. G. Roberts	5-13-75 5-22-75 5-22-75		
THIRD ANGLE PROJECTION		PROJ. ENG.	DATE	TITLE	
REMOVE BURRS AND BREAK SHARP CORNERS SURFACE QUALITY ✓		PROD.	DATE	CABLING DIAGRAM	
MATERIAL		NEXT HIGHER ASSY.		SIZE CODE	NUMBER
FINISH		B-DD-RK05-H		C IC	RK05-H 2
		SCALE		DIST.	
		SHEET	OF		

REV. A  
NUMBER R K 0 5 - H - 2  
SIZE CODE C I C

THIS DRAWING AND SPECIFICATIONS, HEREIN, ARE THE PROPERTY OF DIGITAL EQUIPMENT CORPORATION AND SHALL NOT BE REPRODUCED OR COPIED OR USED IN WHOLE OR IN PART AS THE BASIS FOR THE MANUFACTURE OR SALE OF ITEMS WITHOUT WRITTEN PERMISSION.  
 COPYRIGHT © 1976 DIGITAL EQUIPMENT CORPORATION

REV 1  
 M7680-0-0



NOTES:

CHG	NO	REV	DATE

SIGNATURES	DATE	digital
DRN. A. <i>Wol</i>	11/16	
CHK'D.		TITLE DEC PACK
ENG.		INDEX & SECTOR
PROJ. ENG.		
PROD.		
SCALE 1:1	SIZE CODE	NUMBER
SHT. D OF	D UA	M7680-0-0
ETCH REV D	FIRST USED ON	

DUA M7680-0-0  
 B  
 B





DIGITAL EQUIPMENT CORPORATION

PARTS LIST

ETCH REV P

QUANTITY / VARIATION

NOTES:

MADE BY K. H. JOHNSON	CHECKED <i>H. Harrison</i>	SECTION
DATE 3 FEB 76	DATE 3 FEB 76	
ENG <i>[Signature]</i>	PROD <i>Jack F. Smith</i>	ISSUED SECTION
DATE	DATE 25 FEB 76	

ITEM NO.	DRAWING NO.	PART NO.	DESCRIPTION	QUANTITY / VARIATION												REF. DESIGNATION
				M7680-0	M7680-YA											
1	D-CS-M7680-0-1		DEC PAK INDEX SECTOR (C.S.)	REF	REF											
2	D-AH-M7680-0-5		ASSY/DRILLING HOLE LAYOUT	REF	REF											
3	B-MH-M7680-0-6		MODULE ECO HISTORY	REF	REF											
4	5012018		ETCHED CIRCUIT BOARD	1	1											
5	1005306-00		CAP 6.8UF 35V 20% S.TANT	2	2											C20,C21
6	1000016-00		CAP 100PF 100V 5% D.M.	2	2											C27,C28
7	1000023-00		CAP 330PF 100V 5% D.M.	2	2											C23,C30
8	1000024-00		CAP 470PF 100V 5% D.M.	1	1											C29
9	1001610-01		CAP .01UF 100V DISC	22	22											C1 THRU C19, C26,C31,C32
10	1001776-00		CAP 1.0UF 35V 10% S.TANT	1	1											C25
11	1002180-00		CAP .15UF 35V 20% S.TANT	1	1											C24
12	1005784-00		CAP .01UF 100V 10% MYLAR	1	1											C22
13	1101938-00		DIODE 1N4370A VZ 2.4 5%	1	1											D3
14	1210042-00		SWITCH ROTARY 8 POS	1	-											S1
15	1300365-00		RES 1K 1/4W 5%	3	3											R5,R16,R17
16	1300229-00		RES 100 1/4W 5%	1	1											R1
17	1300250-00		RES 150 1/4W 5%	1	1											R12
18	1300295-00		RES 330 1/4W 5%	2	2											R4,R10
19	1300447-00		RES 4.7K 1/4W 5%	1	1											R2

ECO. NO. 10000	
----------------	--

THIS DRAWING AND SPECIFICATIONS, HEREIN, ARE THE PROPERTY OF DIGITAL EQUIPMENT CORPORATION AND SHALL NOT BE REPRODUCED OR COPIED OR USED IN WHOLE OR IN PART AS THE BASIS FOR THE MANUFACTURE OR SALE OF ITEMS WITHOUT WRITTEN PERMISSION. COPYRIGHT © 1976 DIGITAL EQUIPMENT CORPORATION.	TITLE DEC PAK INDEX SECTOR	ASSY NO. D-UA-M7680-0-0	SIZE B	CODE PL	NUMBER M7680-0-0	REV. B	
		SHEET 1 OF 3	DIST.				

**DIGITAL EQUIPMENT CORPORATION**  
**PARTS LIST** ETCH REV B

MADE BY K. HODGSON	CHECKED <i>J. ...</i>	SECTION
DATE 3 FEB 76	DATE 3 FEB 76	
ENG	PROD <i>J. ...</i>	ISSUED SECTION
DATE	DATE 25 FEB 76	

QUANTITY / VARIATION											
M7680-0	M7680-YA										
3	3										
1	1										
1	1										
1	1										
3	3										
1	1										
1	1										
2	2										
1	1										
2	2										
1	1										
2	2										
1	1										
1	1										
7	7										
3	3										
1	1										
1	1										

**NOTES:**

ITEM NO	DRAWING NO.	PART NO.	DESCRIPTION	M7680-0	M7680-YA	REF. DESIGNATION					
20	1300479-00		RES 10K 1/4W 5%	3	3	R3,R7,R18					
21	1301401-00		RES 750, 1/4W 5%	1	1	R11					
22	1301808-00		RES 22K 1/4W 5%	1	1	R9					
23	1309143-10		RES 10K 3/4W 10% POT	1	1	R6					
24	1302394-00		RES 30K 1/4W 5%	3	3	R14,R15,R8					
25	1302465-00		RES 18K 1/4W 5%	1	1	R13					
26	1502762-01		TRANSISTOR 3639C	1	1	Q1					
27	1905547-00		IC 7474	1	1	E21					
28	1905575-00		IC 7400	2	2	E15,E16					
29	1905576-00		IC 7410	1	1	E14					
30	1909054-00		IC 7493	2	2	E8,E9					
31	1911469-00		IC 8640	2	2	E19,E23					
32	1909686-00		IC 7404	1	1	E18					
33	1910047-00		IC 74145	1	1	E20					
34	1910230-00		IC 74121	1	1	E11					
35	1910645-00		IC 75452	7	7	E1 THRU E3,E6,E7,E12,E13					
36	1910436-00		IC 74123	3	3	E17,E22,E25					
37	1905590-00		IC 7401	1	1	E24					
38	1909004-00		IC 7402	1	1	E5					

**E.C.O. NO.** \_\_\_\_\_

THIS DRAWING AND SPECIFICATIONS, HEREIN, ARE THE PROPERTY OF DIGITAL EQUIPMENT CORPORATION AND SHALL NOT BE REPRODUCED OR COPIED OR USED IN WHOLE OR IN PART AS THE BASIS FOR THE MANUFACTURE OR SALE OF ITEMS WITHOUT WRITTEN PERMISSION. COPYRIGHT © 1976 DIGITAL EQUIPMENT CORPORATION.	<b>TITLE</b> DEC PAK INDEX SECTOR	<b>ASSY NO.</b> D-UA-M7680-0-0 SHEET 2 OF 3	<b>SIZE</b> B	<b>CODE</b> PL	<b>NUMBER</b> M7680-0-0	<b>REV.</b> B
--	--------------------------------------	---	------------------	-------------------	----------------------------	------------------

**DIGITAL EQUIPMENT CORPORATION**  
**PARTS LIST** ETCH REV B

MADE BY K. HODGSON	CHECKED <i>H. J. Jackson</i>	SECTION
DATE 3 FEB 76	DATE 3 FEB 76	
ENG <i>[Signature]</i>	PROD <i>Jack [Signature]</i>	ISSUED SECTION
DATE	DATE 25 FEB 76	

QUANTITY / VARIATION

M7680-0	M7680-YA																

NOTES:

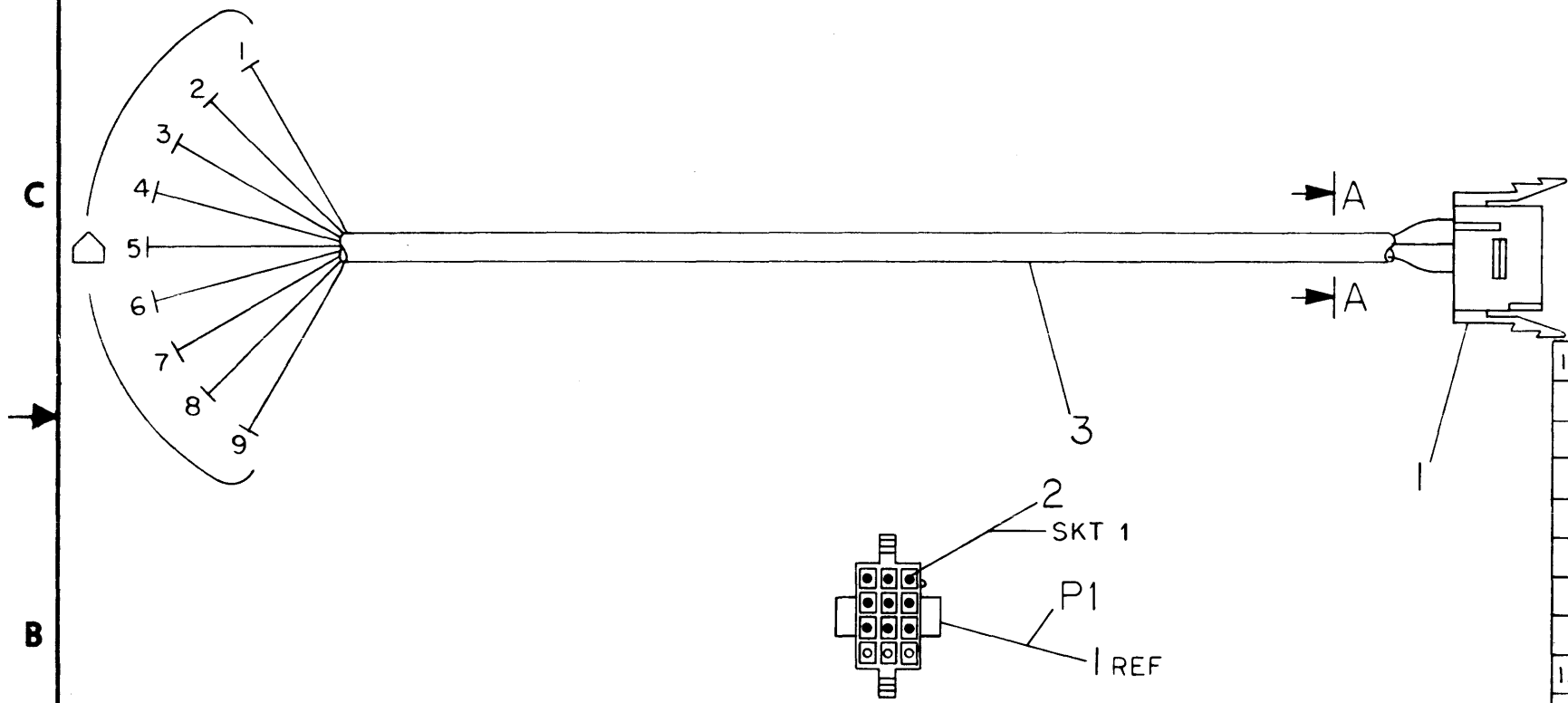
ITEM NO.	DRAWING NO.	PART NO.	DESCRIPTION	M7680-0	M7680-YA														REF. DESIGNATION
39	1910878-00		IC 7427	1	1														E4
40	1211164-00		SWITCH 4 IN A DIP	1	1														SW1
41	9008337-06		HANDLE FLIP CHIP-MAGENTA	2	1														
42	9006732-00		EYELET	4	4														
43			SPARE IC																E10
44	C-IA-7014164-0-0		CABLE ASSY, REMOTE SWITCH	-	1														SWC
45	1202704		CLAMP, CABLE	-	1														

E.C.O. NO.

THIS DRAWING AND SPECIFICATIONS, HEREIN, ARE THE PROPERTY OF DIGITAL EQUIPMENT CORPORATION AND SHALL NOT BE REPRODUCED OR COPIED OR USED IN WHOLE OR IN PART AS THE BASIS FOR THE MANUFACTURE OR SALE OF ITEMS WITHOUT WRITTEN PERMISSION. COPYRIGHT © 1976 DIGITAL EQUIPMENT CORPORATION	TITLE DEC PAK INDEX SECTOR	ASSY NO. D-UA-M7680-0-0	SIZE B	CODE PL	NUMBER M7680-0-0	REV. B
		SHEET 3 OF 3				

"THIS DRAWING AND SPECIFICATIONS, HEREIN, ARE THE PROPERTY OF DIGITAL EQUIPMENT CORPORATION AND SHALL NOT BE REPRODUCED OR COPIED OR USED IN WHOLE OR IN PART AS THE BASIS FOR THE MANUFACTURE OR SALE OF ITEMS WITHOUT WRITTEN PERMISSION. COPYRIGHT © 1977, DIGITAL EQUIPMENT CORPORATION"

WIRE TABLE							
ITEM NO.	DESCRIPTION		FROM		TO		WIRE LGTH.
	AWG	COLOR	POINT	WITH	CONN	WITH	
4	22	RED	1	—	PI-1	2	13"
5	↑	BLK	2	—	PI-2	↑	↑
6	↑	BRN	3	—	PI-3	↑	↑
7	↑	ORN	4	—	PI-4	↑	↑
8	↑	YEL	5	—	PI-5	↑	↑
9	↑	GRN	6	—	PI-6	↑	↑
10	↑	BLU	7	—	PI-7	↑	↑
11	↓	VIO	8	—	PI-8	↓	↓
12	22	WHT	9	—	PI-9	2	13"



VIEW A-A

13"	WIRE, 22AWG, STRD (WHT)	9107350-99	12
↑	WIRE, 22AWG, STRD (VIO)	9107350-77	11
	WIRE, 22 AWG, STRD (BLU)	9107350-66	10
	WIRE, 22 AWG, STRD (GRN)	9107350-55	9
	WIRE, 22 AWG, STRD (YEL)	9107350-44	8
	WIRE, 22 AWG, STRD (ORN)	9107350-33	7
	WIRE, 22 AWG, STRD (BRN)	9107350-11	6
↓	WIRE, 22 AWG, STRD (BLK)	9107350-00	5
13"	WIRE, 22 AWG, STRD (RED)	9107350-22	4
10"	TUBING, BLACK, 1/4" DIA.	9107243	3
9	SOCKET, MATE-N-LOK	1209379-03	2
1	CONN. HOUSING 12 TERM	1209350-12	1

REV. NUMBER  
7014164-0-0  
C IA

REV.	CHANGE NO.	ORIGINATED
1	17680-00001	ORIGINATED

DESCRIPTION		DWG./PART NO.	ITEM NO.				
UNLESS OTHERWISE SPECIFIED DIMENSIONS ARE IN INCHES							
ANGLES ±0° 30'	CLASS OF ACCURACY (CHECK ONE)	NOMINAL DIMENSION RANGE INCHES					
SURFACE QUALITY IN		OVER 0 TO 0.2	OVER 0.2 TO 1.2	OVER 1.2 TO 4.0	OVER 4.0 TO 12.0	OVER 12.0 TO 40.0	OVER 40.0 TO 80.0
MICROINCHES	MEDIUM <input type="checkbox"/>	±.004	±.008	±.012	±.016	±.024	±.04
	PREFERRED <input checked="" type="checkbox"/>	±.012	±.016	±.025	±.04	±.063	±.1
THIRD ANGLE PROJECTION	DRN. <i>Carl McCoy</i> 28, 1977	FIRST USED ON	M7680				
REMOVE BURRS AND BREAK SHARP CORNERS	CHK'D <i>DCM</i> 19, 1977	TITLE	REMOTE SWITCH CABLE ASSY				
DO NOT SCALE DWG	ENG. <i>J. Hand</i> 19, 1977	SIZE	C IA				
MATERIAL SEE PARTS LIST	PROJ. ENG. <i>J. Hand</i> 16, 1977	NUMBER	7014164-C-C				
FINISH	PROD. <i>J. Hand</i> 4-20-77	REV.					
	NEXT HIGHER ASSY.	SHEET	1 OF 1				