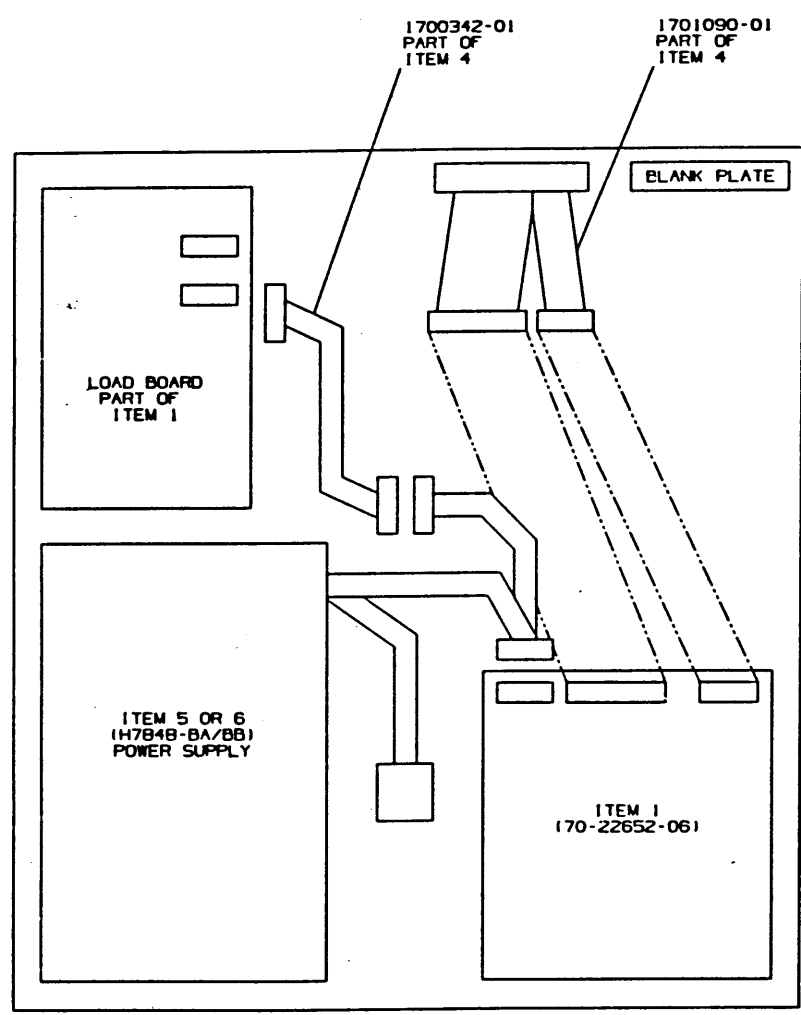


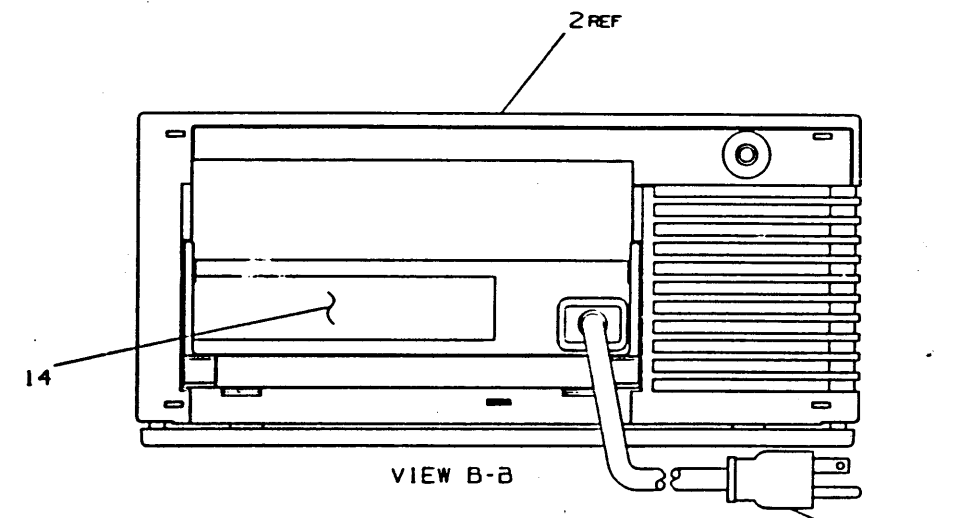
TITLE:	RD54-F UNIT ASSEMBLY	SHEET 2 OF 4	SIZE CODE B DD	NUMBER RD54-F-DBU	REV. A
--------	-------------------------	--------------	-------------------	----------------------	-----------

MLO1

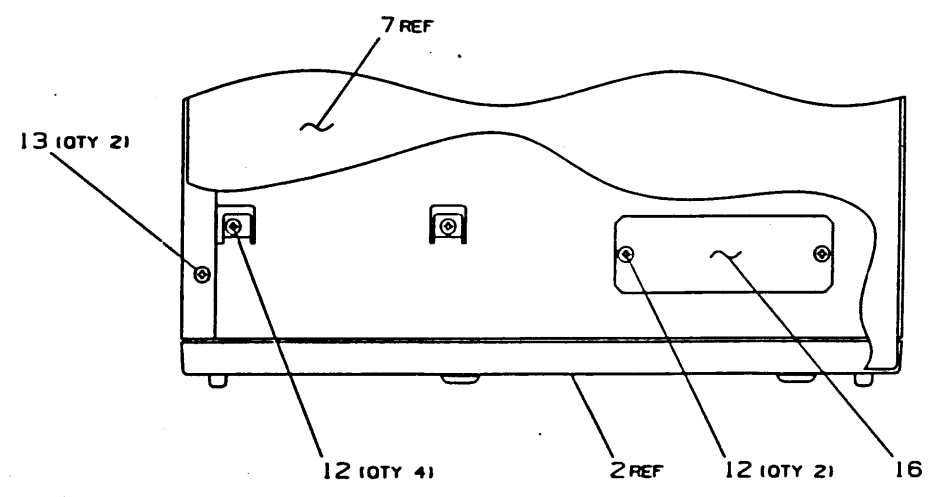
THIS DRAWING AND THE SPECIFICATIONS CONTAINED HEREIN ARE THE PROPERTY OF THE UNITED STATES GOVERNMENT AND ARE TO BE REPRODUCED IN WHOLE OR IN PART BY ANY PERSON OR ORGANIZATION WITHOUT PERMISSION OF THE UNITED STATES GOVERNMENT. DATE: 1987



WIRING DIAGRAM



VIEW B-B



VIEW A-A

REVISION HISTORY		
DATE	REV	DESCRIPTION

TITLE RD54-F
UNIT ASSEMBLY

DOCUMENT NUMBER			
ITERATION	NUMBER	REV	
E	UA	A	

SCALE 1/1 P-SET 2 OF 2

M.01

LINE ITEM	TOP DOCUMENT	PART NUMBER	MIN REV	DESCRIPTION	QUANTITY PER VARIATION/REVISION	
					F3 A1	FA A1
1	D-AD-7022652-0-DBU	70-22652-06		DRIVE ASSY RD54	1	1
2	E-AD-7022650-0-DBU	70-22650-02		CHASSIS ASSY	1	1
3	E-AD-7022653-0-DBU	70-22653-01		COVER ASSY	1	1
4	D-AD-7022654-0-DBU	70-22654-05		SHIELD ASSY	1	1
5	B-DD-H7848-B-0	H7848-BA		VS400 PWR SUPPLY,120V 104 WATT,+5.	-	1
6	B-DD-H7848-B-0	H7848-BB		VS400 PWR SUPPLY,240V 104 WATT,+5.	1	-
7	D-MD-7432769-0-DBU	74-32769-01		COVER, BOTTOM	1	1
8	B-DD-7433609-0-DBU	74-33609-02		MEDALLION	1	1
9	SEE NOTE 1	17-00445-01		CABLE ASSY,50 COND,MOLDED,SHIELDED	1	1
10	A-PS-1700606-0-0	17-00606-02		PWR CORD,TERM SVT 125V	-	1
11	K-PL-7023990-0-DBP			INTERNATIONAL POWER CORDS	REF	-
12		90-00049-47		SCREW,SEMS PAN PHIL 6-32	9	9
13		90-00049-67		SCREW,SEMS PAN BLK/OX 6.32	2	2
14	SEE NOTE 2	36-26124-01		LABEL,VAXSTAR PRODUCT INFORMATION	REF	REF
15	A-PA-3700920-0-0	37-00920-02		PKG SYSTEM BOX VS410 CUSTOMER	1	1
16	C-MD-7433070-0-DBU	74-33070-01		PANEL,COVER	1	1

1 GEN: 1. ITEM #9 (17-00445-01) IS TO SHIPPED LOOSE.
 2 GEN: 2. ITEM #14 (36-26124), USE APPROPRIATE VARIATION FOR VOLTAGE & ORIGIN.

REVISION HISTORY		KPL MATRIX FORMAT		SECTION A OF A		DRN: PAUL GAGNE		DIGITAL	
ENG	ECO NUMBER	REV	SECTION/VARIATION INDEX		DATE	CHK'D: D. HEALY		TITLE PARTS LIST	
---	INITIAL	A	[A]	F3,FA	DATE: 27-AUG-86	DATE: 25-FEB-87		RD54-F UNIT ASSEMBLY	
			[B]			DES.ENG: L. KIZINA		DOCUMENT NUMBER	
			[C]			DATE: 25-FEB-87		SIZE	CODE
			[D]			RESP.ENG.: G. LORD		NUMBER	REV
			[E]			DATE: 25-FEB-87		K	PL
			[F]			MFG.ENG: F. OSOWSKI		RD54-F-DBP	
			[G]			DATE: 25-FEB-87		A	
			[H]			RELEASE DATE: 25-FEB-87		RELEASE STATUS: RELEASED	
			[J]						
BASIC PART NUMBER:		ASSEMBLY NUMBER:		TOP DOCUMENT NUMBER:		FILE NAME:		EDIT #	
RD54		E-UA-RD54-F-DBU		B-DD-RD54-F-DBU		MLA0757A.PLS		18	

"THIS DRAWING AND THE SPECIFICATIONS CONTAINED HEREIN ARE CONFIDENTIAL AND PROPRIETARY. THEY ARE THE PROPERTY OF DIGITAL EQUIPMENT CORPORATION AND SHALL NOT BE REPRODUCED OR COPIED OR USED IN WHOLE OR IN PART AS THE BASIS FOR THE MANUFACTURE OR SALE OF ITEMS WITHOUT WRITTEN PERMISSION. THIS IS AN UNPUBLISHED WORK PROTECTED UNDER THE FEDERAL COPYRIGHT LAWS."

DRAWING NO.	NO. SHTS	PART NO.	DESCRIPTION	REVISIONS
		5417163-01	LOADS BOARD	1A1
		5417163-02	LOADS BOARD	1A1
D-UA-5417163-0-0	1		UNIT ASSEMBLY	1A
B-CS-5417163-0-0	1		CIRCUIT SCHEMATICS	1A
K-PL-5417163-0-DBP	1		PARTS LIST	1A
K-PC-5417163-0-DBJ			P.C. DATA BASE	1A
K-CS-5417163-0-DBX			SCHEMATIC DATA BASE	1A
		5017162-01	ETCHED CIRCUIT BOARD	1A1
K-DD-5017162-0-0	1		DRAWING DIRECTORY	1A

NOTES:

1A
R
E
V
I
S
I
O
N
S
T
I
T
U
T
I
O
N
O
R
D
I
N
A
R
Y

THIS DRAWING AND THE SPECIFICATIONS CONTAINED HEREIN ARE CONFIDENTIAL AND PROPRIETARY. THEY ARE THE PROPERTY OF DIGITAL EQUIPMENT CORPORATION AND SHALL NOT BE REPRODUCED OR COPIED OR USED IN WHOLE OR IN PART AS THE BASIS FOR THE MANUFACTURE OR SALE OF ITEMS WITHOUT WRITTEN PERMISSION. THIS IS AN UNPUBLISHED WORK PROTECTED UNDER THE FEDERAL COPYRIGHT LAWS.

DRN: JIM CUNNINGHAM DATE: 10/1/86 | c | i | g | i | t | a | l |

CHK'D: LARRY HAYWOOD DATE: 10/1/86 TITLE
LOADS BOARD

DES. ENG.: LARRY NARHI DATE: 10/1/86 SHEET 1 OF 1 EDIT:
4

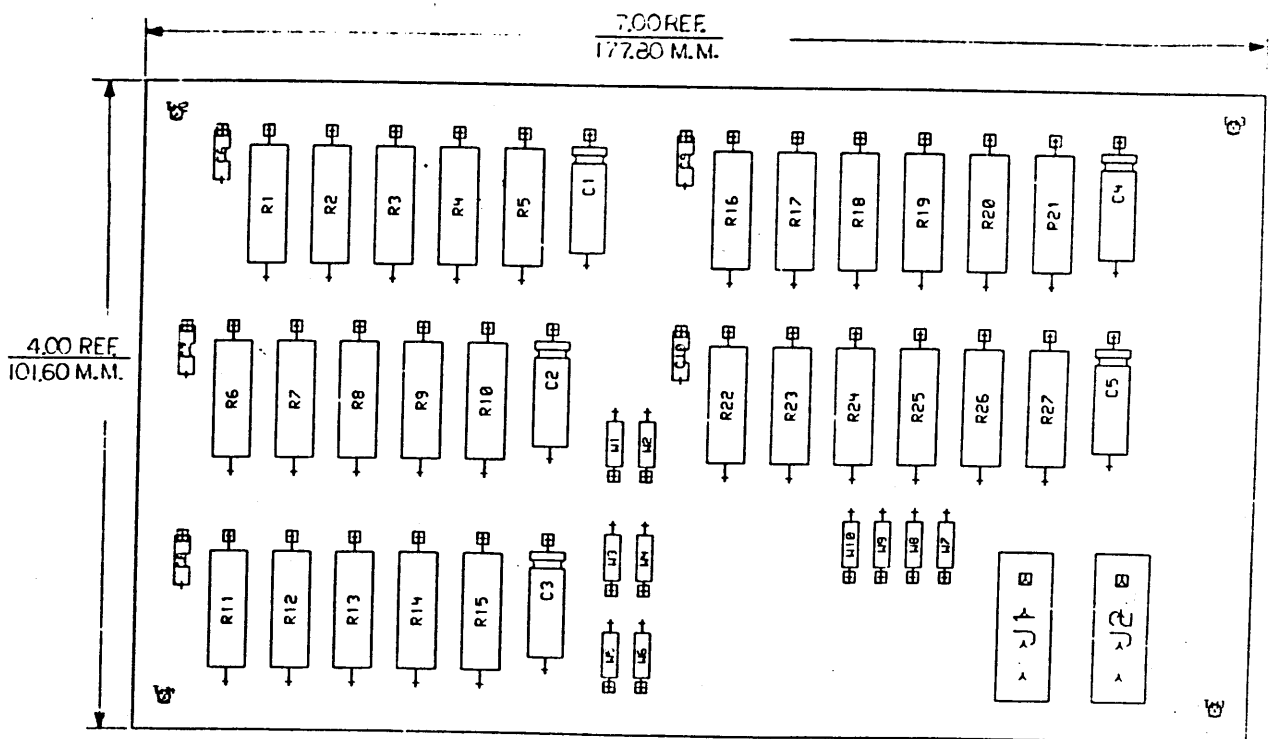
RESP. ENG.: LARRY NARHI DATE: 10/1/86 DOCUMENT NUMBER

MFG. ENG.: W. BEAN DATE: 10/1/86 SIZE | CODE | NUMBER | REV |
K | DD | 5417163-0-0 | A1

THIS DRAWING AND SPECIFICATIONS HEREBY ARE THE PROPERTY OF DIGITAL EQUIPMENT CORPORATION AND SHALL NOT BE REPRODUCED OR COPIED IN WHOLE OR IN PART AS THE BASIS FOR THE MANUFACTURE OR SALE OF ITEMS WITHOUT WRITTEN PERMISSION. COPYRIGHT © DIGITAL EQUIPMENT CORPORATION

0-0-0912146 UN 2

D
C
B
A



NOTES:

STEP	E	+ Y AXIS	STEP	TIMES
REPEAT		+ X AXIS	STEP	TIMES

CHANGE NO	REV
	1

ETCH REV.	A1
-----------	----

SIGNATURES	DATE
DRN. RHOADES	8-20-67
CHK'D. B. CORNICK	8-20-67
MECH. ENG.	
PROJ. ENG.	
SCALE 2/1	
SHT. 1 OF 1	
NEXT HIGHER ASSY. F-DD-5412163-0-0	

digital	
TITLE LOAD BOARD	
SIZE CODE	NUMBER
D UM	5412163-0-0

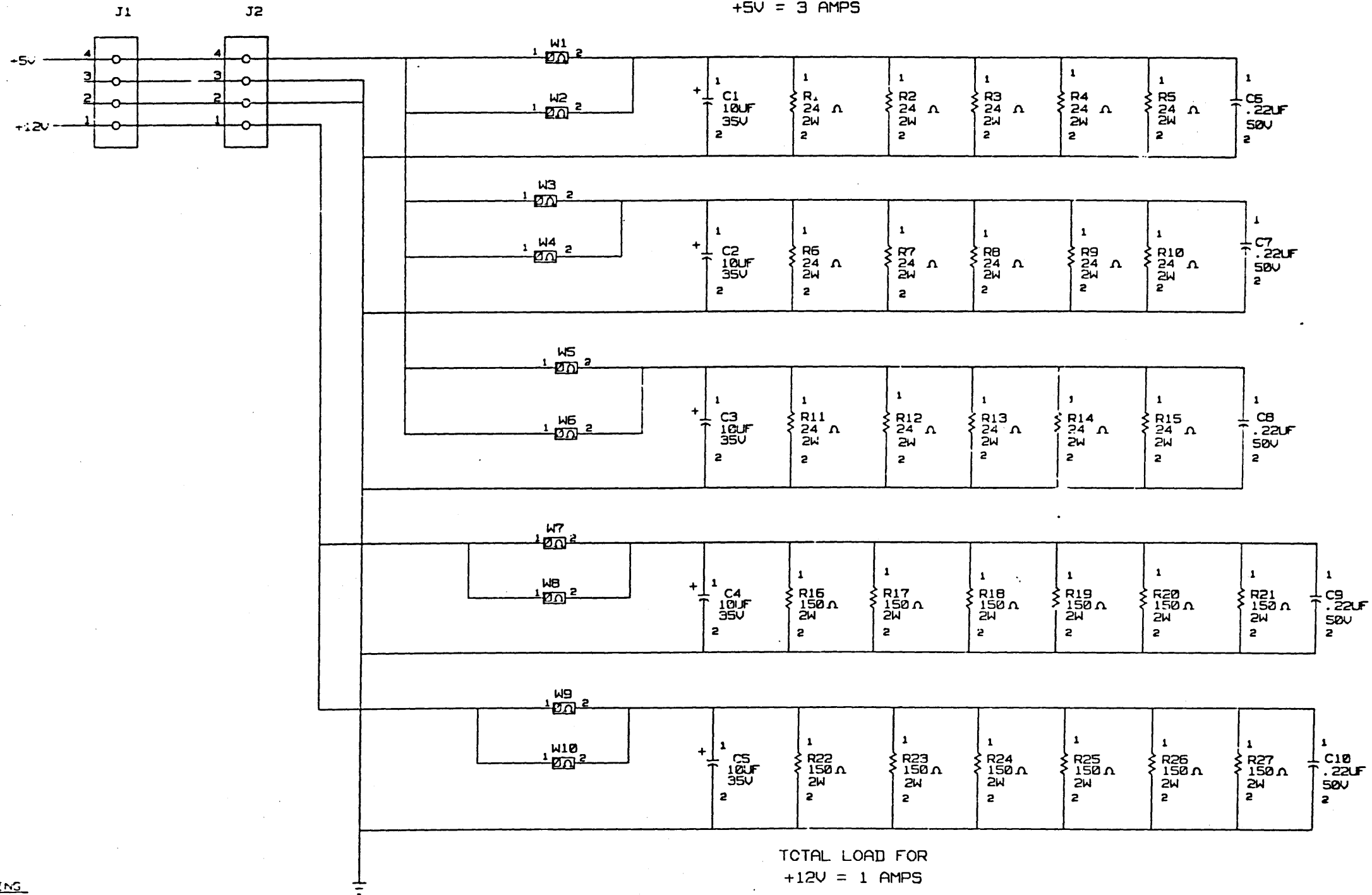
LINE	ITEM	TOP DOCUMENT	PART NUMBER	MIN REV	DESCRIPTION	QTY PER VAR/REV		REFERENCE DESIGNATORS
						01 A1	02 A1	
1	1	D-MD-5017162-0-0	50-17162-01		CIRCUIT DRILL & ETCH	1	1	
2	2		10-14265-00		0.22 MFD 50V +80/-20% Z5U C	5	5	C6-C10
3	3		10-17472-00		10 MFD 35V +75/-10% ALU	5	5	C1-C5
4	4		12-11342-04		MATE-N-LOK 04PIN(1X04).200CC HDR	2	2	J1,J2
5	5		13-19471-16		150.0 2.0 W 5.0 % M.OXIDE	12	12	R16-R27
6	6		13-20602-28		24.0 2.0 W 5.0 % M.OXIDE	15	15	R1-R15
7	7		90-09185-00		JUMPER, WIRE, INSULATED, BLACK B	10	-	W1-W10
			CONT			-	4	W7-W10

REVISION HISTORY		KPL MODULE FORMAT		SECTION A OF A		DRN: L. HAYWOOD		DIGITAL	
ENG	ECO NUMBER	REV	SECTION/VARIATION INDEX		DATE:	CHK'D:	TITLE	DOCUMENT NUMBER	REV
---	INITIAL	A	(A)	01,02	(M)	19-AUG-86	B. DITOMMASO	PARTS LIST	
			(B)		(N)	19-AUG-86		LOADS BOARD	
			(C)		(P)		LARRY NARHI		
			(D)		(Q)	19-AUG-86			
			(E)		(R)				
			(F)		(S)		LARRY NARHI		
			(H)		(T)	30-SEP-86			
			(J)		(V)				
			(K)		(W)		W. BEAN		
			(L)		(Y)	30-SEP-86			
		BASIC PART NUMBER:		ASSEMBLY NUMBER:		TOP DOCUMENT NUMBER:		FILE NAME:	
		5417163		D-UA-5417163-0-0		K-DD-5417163-0-0		MLA0614A.PLS	
								RELEASE DATE: 18-DEC-86	
								RELEASE STATUS: RELEASED	
								EDIT #	
								8	

"THIS DRAWING AND THE SPECIFICATIONS CONTAINED HEREIN ARE CONFIDENTIAL AND PROPRIETARY. THEY ARE THE PROPERTY OF DIGITAL EQUIPMENT CORPORATION AND SHALL NOT BE REPRODUCED OR COPIED OR USED IN WHOLE OR IN PART AS THE BASIS FOR THE MANUFACTURE OR SALE OF ITEMS WITHOUT WRITTEN PERMISSION. THIS IS AN UNPUBLISHED WORK PROTECTED UNDER THE FEDERAL COPYRIGHT LAWS."

NOTE: FOR 5417163-02 VARIATION REMOVE W1 THRU W6.

TOTAL LOAD FOR
+5V = 3 AMPS



TOTAL LOAD FOR
+12V = 1 AMPS

DRAWING
5417163
5417163
LAST MODIFIED: Mon Jan 5 10:03:05 1987

REVISION	NO.	REV.
OK	CHANGE NO.	REV.

DATE: 11-APR-86
DATE: 7-JUL-86

DESIGNED BY: L. Narhi
CHECKED BY: L. Narhi
DATE: 11-APR-86
DATE: 7-JUL-86
REVISED LOCATIONS: 1 of 1
TOP DOCUMENT NUMBER: K-00-5417163-0-0

TITLE: LOADS BOARD
SIZE: K
CODE: CS
NUMBER: 5417163-0-1

LINE ITEM	TOP DOCUMENT	PART NUMBER	MIN REV	DESCRIPTION	QUANTITY PER VARIATION/REVISION								
					01 A1	02 A1	03 A1	04 A1	05 A1	06 A1	07 A1	08 A1	
1	1 A-PS-1700198-0-0	17-00198-07		PWR CORD,TERM 3-18	250V	1	-	-	-	-	-	-	-
2	2 A-PS-1700199-0-0	17-00199-12		PWR CORD,TERM 3- .75MM	250V	-	1	-	-	-	-	-	-
3	3 A-PS-1700310-0-0	17-00310-05		PWR CORD,TERM 3- .75MM	250V	-	-	1	-	-	-	-	-
4	4 A-PS-1700456-0-0	17-00456-08		PWR CORD,TERM 3- .75MM	250V	-	-	-	1	-	-	-	-
5	5 A-PS-1700209-0-0	17-00209-08		PWR CORD,TERM 3- .75MM 5A	250V	-	-	-	-	1	-	-	-
6	6 A-PS-1700457-0-0	17-00457-08		PWR CORD,TERM 3- .75MM	250V	-	-	-	-	-	1	-	-
7	7 K-PL-1700364-0-0	17-00364-08		PWR CORD,TERM 3- .75MM	250V 2	-	-	-	-	-	-	1	-
8	8 A-PS-1700210-0-0	17-00210-05		PWR CORD,TERM 3- .75MM	250V 6A 2	-	-	-	-	-	-	-	1

- 1 GEN: 1. VARIATION -01 WILL BE USED IN THE FOLLOWING COUNTRIES: AUSTRALIA, NEW ZEALAND
- 2 GEN: 2. VARIATION -02 WILL BE USED IN THE FOLLOWING COUNTRIES: AUSTRIA, BELGIUM, BRAZIL, FINLAND, FRANCE, GERMANY, HOLLAND, NORWAY, PORTUGAL, SPAIN & SWEDEN
- 3 GEN: 2A. NORWAY, PORTUGAL, SPAIN & SWEDEN
- 4 GEN: 3. VARIATION -03 WILL BE USED IN THE FOLLOWING COUNTRIES: DENMARK
- 5 GEN: 4. VARIATION -04 WILL BE USED IN THE FOLLOWING COUNTRIES: INDIA, SOUTH AFRICA
- 6 GEN: 5. VARIATION -05 WILL BE USED IN THE FOLLOWING COUNTRIES: IRELAND, UNITED KINGDOM
- 7 GEN: 6. VARIATION -06 WILL BE USED IN THE FOLLOWING COUNTRIES: ISRAEL
- 8 GEN: 7. VARIATION -07 WILL BE USED IN THE FOLLOWING COUNTRIES: ITALY
- 9 GEN: 8. VARIATION -08 WILL BE USED IN THE FOLLOWING COUNTRIES: SWITZERLAND
- 10 GEN: 9. OPTION # FOR 1700198-07 = BN19H-2E
- 11 GEN: 10. OPTION # FOR 1700199-12 = BN19C-2E
- 12 GEN: 11. OPTION # FOR 1700310-05 = BN19K-2E
- 13 GEN: 12. OPTION # FOR 1700456-08 = BN19S-2E
- 14 GEN: 13. OPTION # FOR 1700209-08 = BN19A-2E
- 15 GEN: 14. OPTION # FOR 1700457-08 = BN19U-2E
- 16 GEN: 15. OPTION # FOR 1700364-08 = BN19M-2E
- 17 GEN: 16. OPTION # FOR 1700210-05 = BN19E-2E

REVISION HISTORY			KPL MATRIX FORMAT		SECTION A OF A		DRN: PAUL GAGNE		DIGITAL			
ENG	ECO NUMBER	REV	SECTION/VARIATION INDEX		DATE: 03-JUN-86		CHK'D: D. HEALY		TITLE PARTS LIST			
---	INITIAL	A	[A] 01,02,03,04,05,06,07,08		DATE: 25-FEB-87		DATE: 25-FEB-87		INTERNATIONAL POWER CORDS			
			[B]				DES.ENG: L. KIZINA		DOCUMENT NUMBER			
			[C]				DATE: 25-FEB-87		SIZE	CODE	NUMBER	REV
			[D]				RESP.ENG.: G. LORD		K	PL	7023990-0-DBP	A
			[E]				DATE: 25-FEB-87		RELEASE DATE: 25-FEB-87			
			[F]				MFG.ENG: F. OSOWSKI		RELEASE STATUS: RELEASED			
			[H]				DATE: 25-FEB-87					
			[J]									
			BASIC PART NUMBER:		ASSEMBLY NUMBER:		TOP DOCUMENT NUMBER:		FILE NAME:		EDIT #	
			7023990				K-PL-7023990-0-DBP		MLA0345A.PLS		6	

"THIS DRAWING AND THE SPECIFICATIONS CONTAINED HEREIN ARE CONFIDENTIAL AND PROPRIETARY. THEY ARE THE PROPERTY OF DIGITAL EQUIPMENT CORPORATION AND SHALL NOT BE REPRODUCED OR COPIED OR USED IN WHOLE OR IN PART AS THE BASIS FOR THE MANUFACTURE OR SALE OF ITEMS WITHOUT WRITTEN PERMISSION. THIS IS AN UNPUBLISHED WORK PROTECTED UNDER THE FEDERAL COPYRIGHT LAWS."