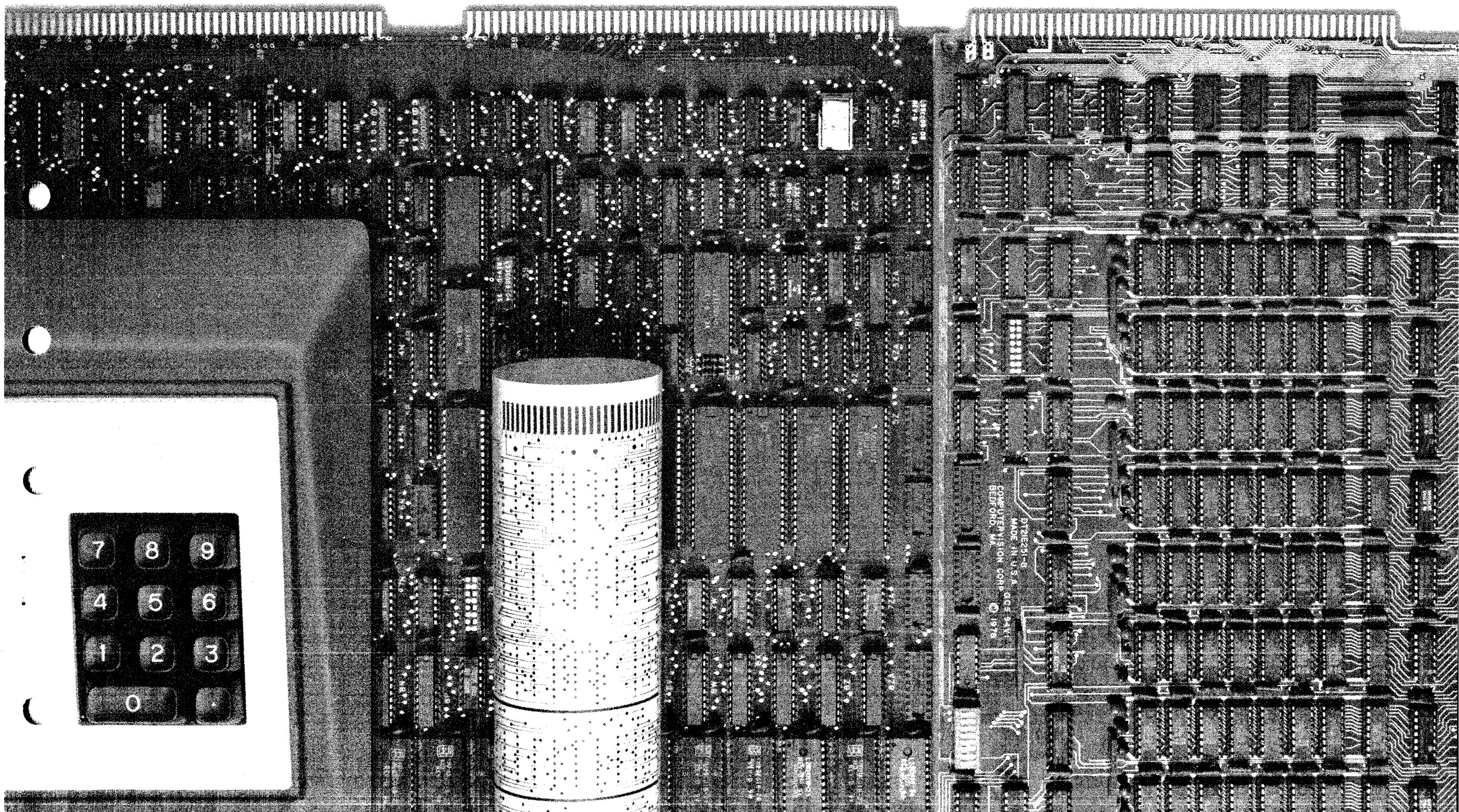


Programmable Communications Unit (PCU) Logic Diagrams



Programmable Communications Unit (PCU)

Logic Diagrams

COMPANY CONFIDENTIAL

The information and drawings contained herein are the sole property of Computervision Corporation. Use of this document is reserved exclusively for Computervision personnel. Reproduction of this matter in whole or in part is forbidden without the express written consent of Computervision.

Table of Contents

Programmable Communication Unit

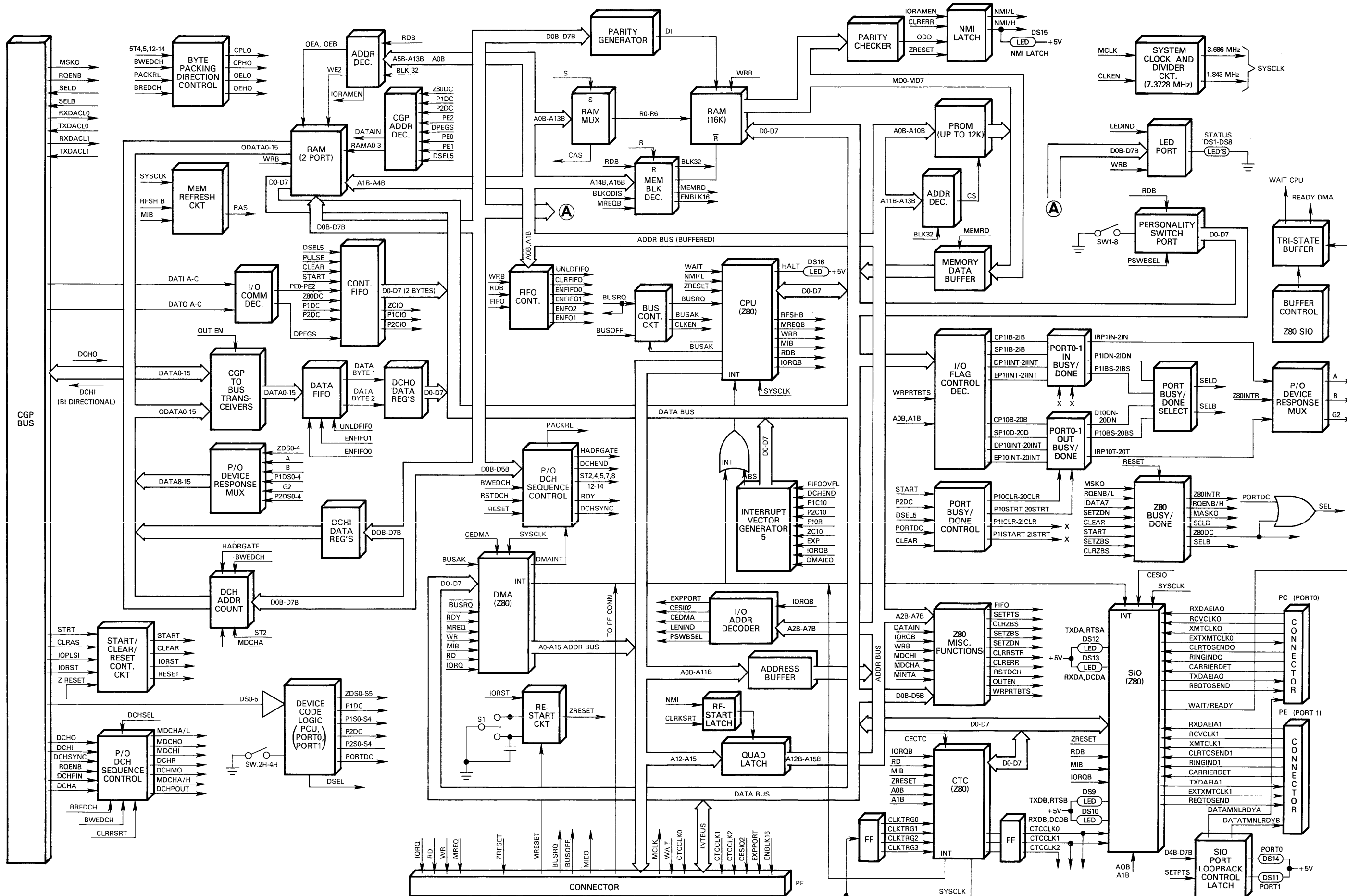
Simplified Block Diagram

Programmable Communications Unit (New) (Revision F)

DS14E682 (16 sheets)

Programmable Communications Unit (Obsolete) (Revision H)

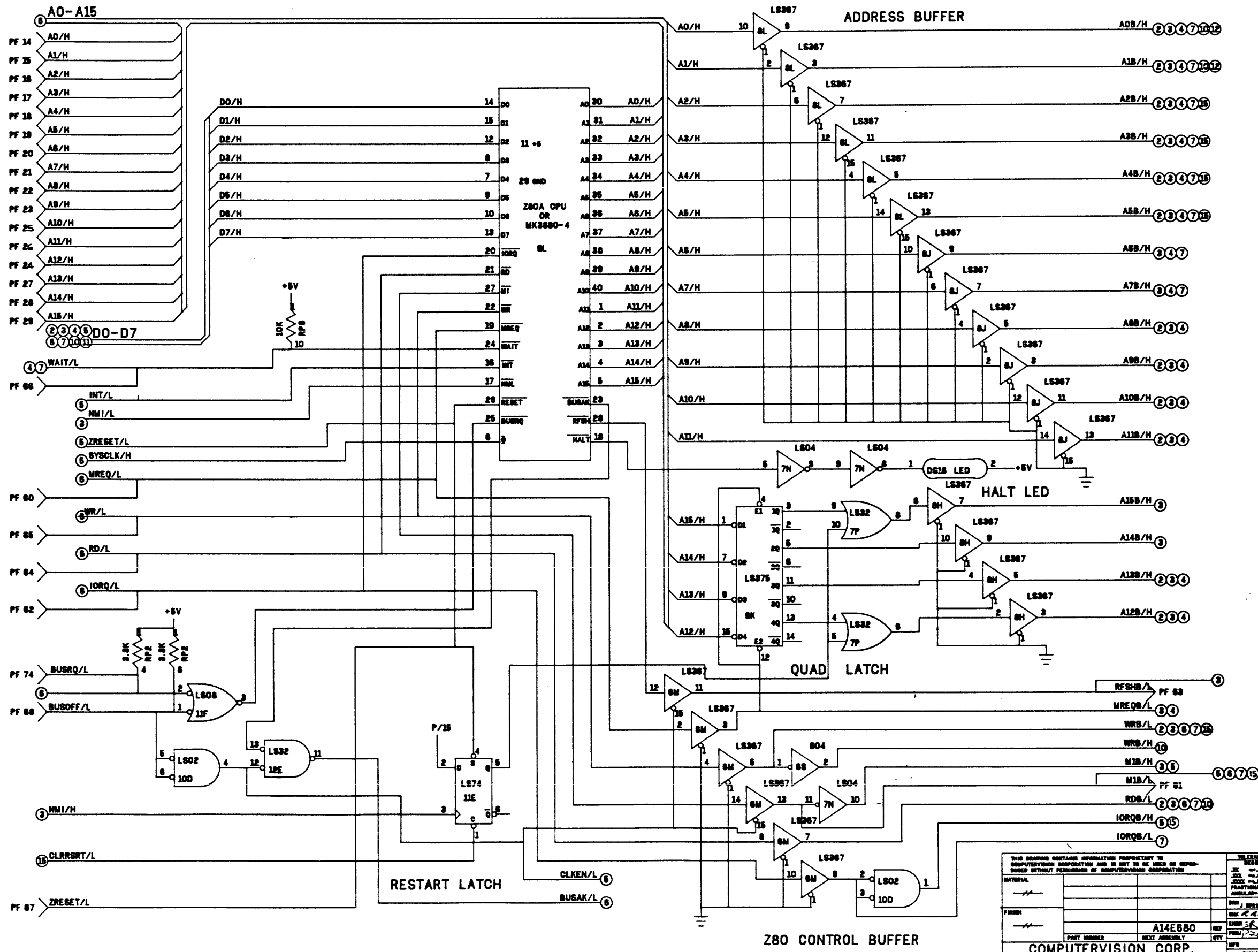
DS14E652 (16 sheets)



Programmable Communications Unit Simplified Block Diagram

Programmable Communications Unit
(New)
DS14E682

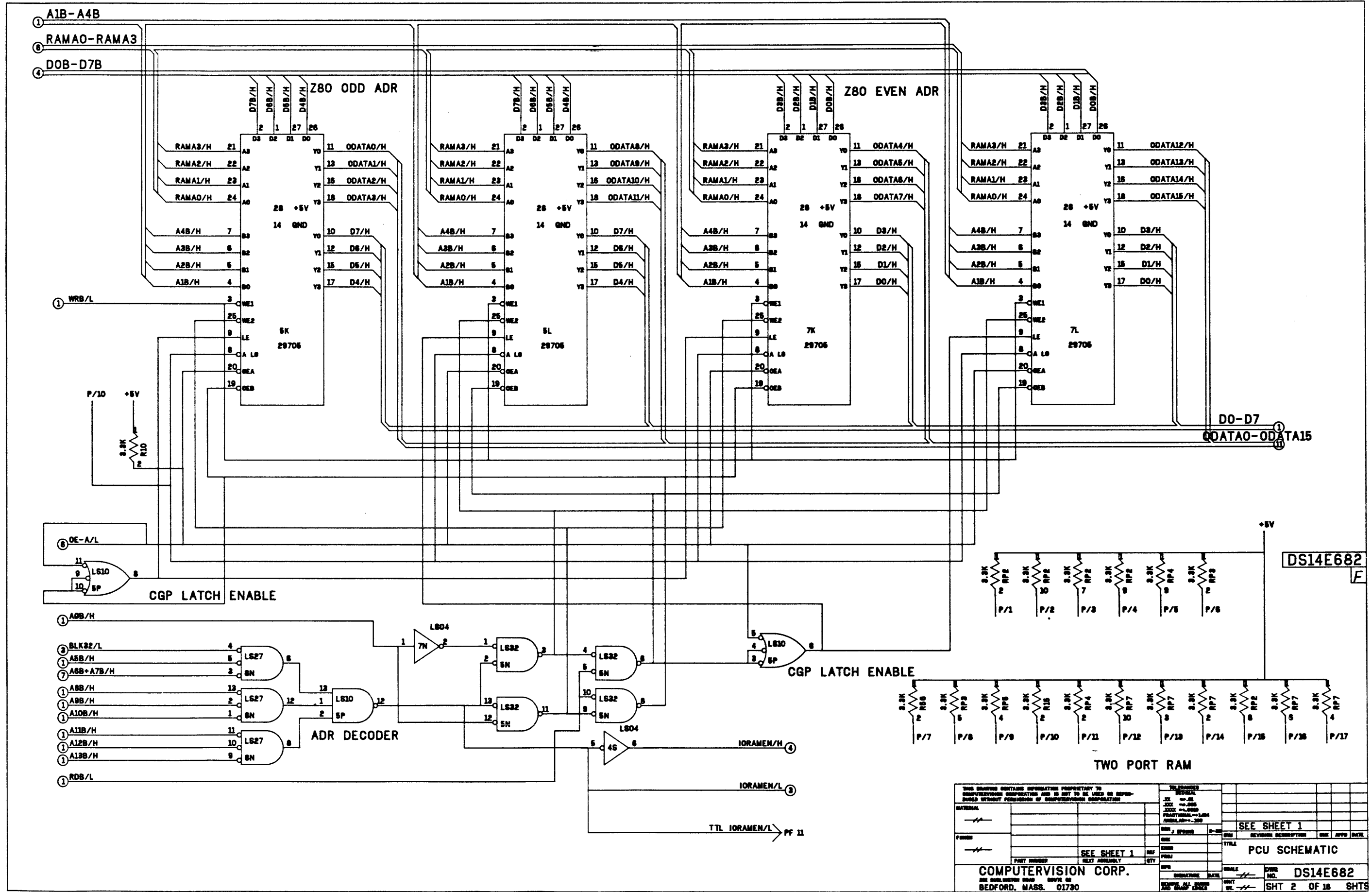
	<u>Sheet No.</u>
Z80 Circuits (Sheet 1 of 16)	2
Two Port RAM (Sheet 2 of 16)	3
16K RAM Block 0 (Sheet 3 of 16)	4
E PROMS (Sheet 4 of 16)	5
Interrupt Vector Generator (Sheet 5 of 16)	6
DMA Personality Switches, Status Indicator, Two Port RAM Address Decoder (Sheet 6 of 16)	7
I/O Address Decoder, SIO, CTC (Sheet 7 of 16)	8
SIO Communications Interface (Sheet 8 of 16)	9
Device Code Logic, Z80 Busy/Done (Sheet 9 of 16)	10
FIFO ID Bytes (Sheet 10 of 16)	11
Data FIFO, DCH Registers (Sheet 11 of 16)	12
Port 0 and 1 CGP Interface (Sheet 12 of 16)	13
Port 0 and 1 Busy/Done (Sheet 13 of 16)	14
Data Channel (Sheet 14 of 16)	15
Z80 Miscellaneous Functions, DCH Address Counter (Sheet 15 of 16)	16
Data Channel Controller State Diagram (Sheet 16 of 16)	17



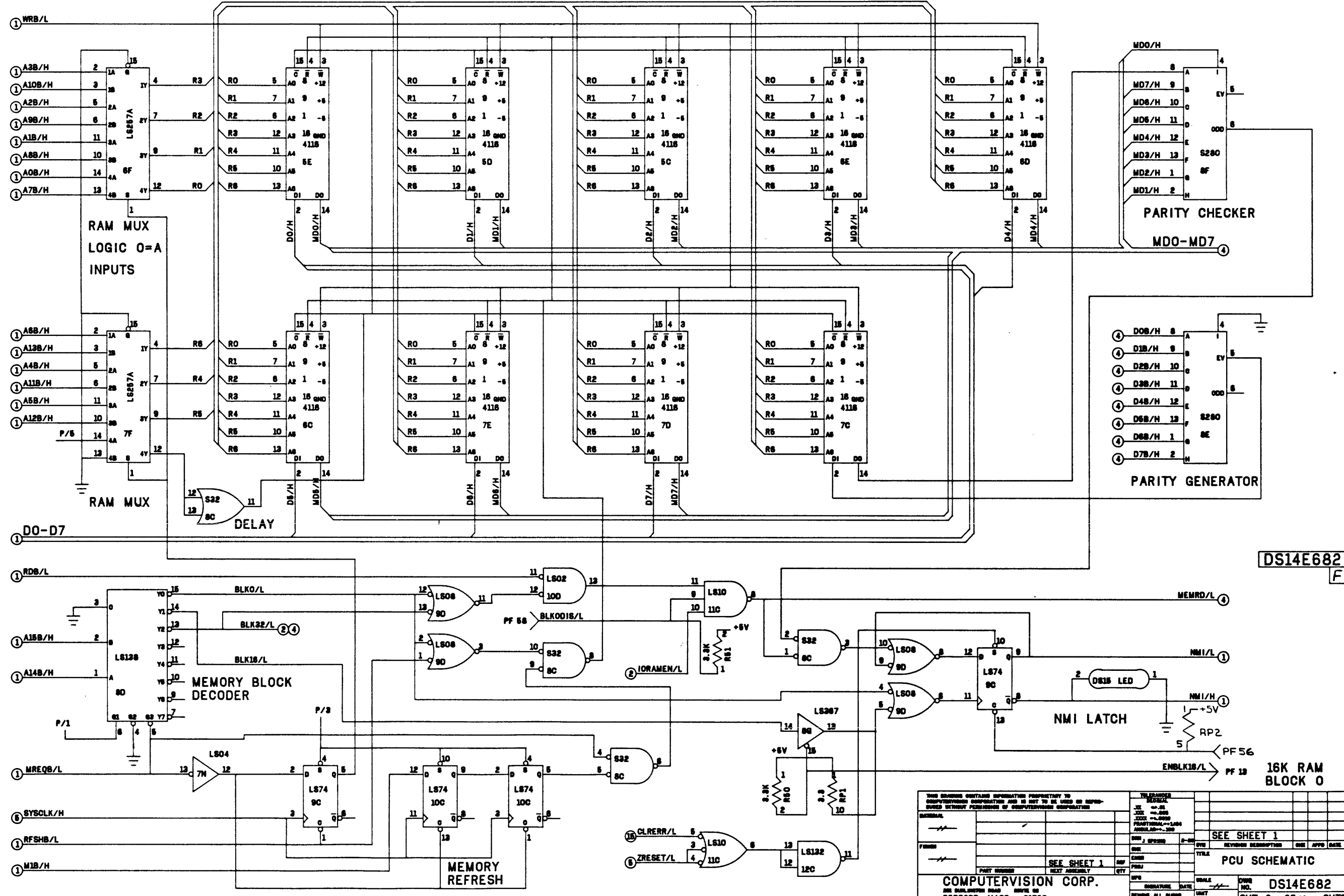
DS14E682
F

REVISIONS		DATE	
1	ECO# 4453	12/17/81	1981
2	ECO# 3916	12/17/81	1981
3	ECO# 3775	12/17/81	1981
4	ECO# 4479	12/17/81	1981
5	REL ECO 3442	12/17/81	1981

THIS DRAWING CONTAINS INFORMATION PROPRIETARY TO COMPUTERVISION CORPORATION AND IS NOT TO BE USED OR REPRODUCED WITHOUT PERMISSION OF COMPUTERVISION CORPORATION.		TITLE PCU SCHEMATIC	
PART NUMBER A14E680		QTY 1	
COMPUTERVISION CORP. ONE BELL CENTER ROAD BEDFORD, MASS. 01730			
DRAWN BY SKP/ML/PLD		DATE 11/10	
CHECKED BY JWB		DATE 11/10	
APPROVED BY JWB		DATE 11/10	
SCALE 1:1		DWG NO. DS14E682	
SHEET NO. 1		OF 18 SHEETS	



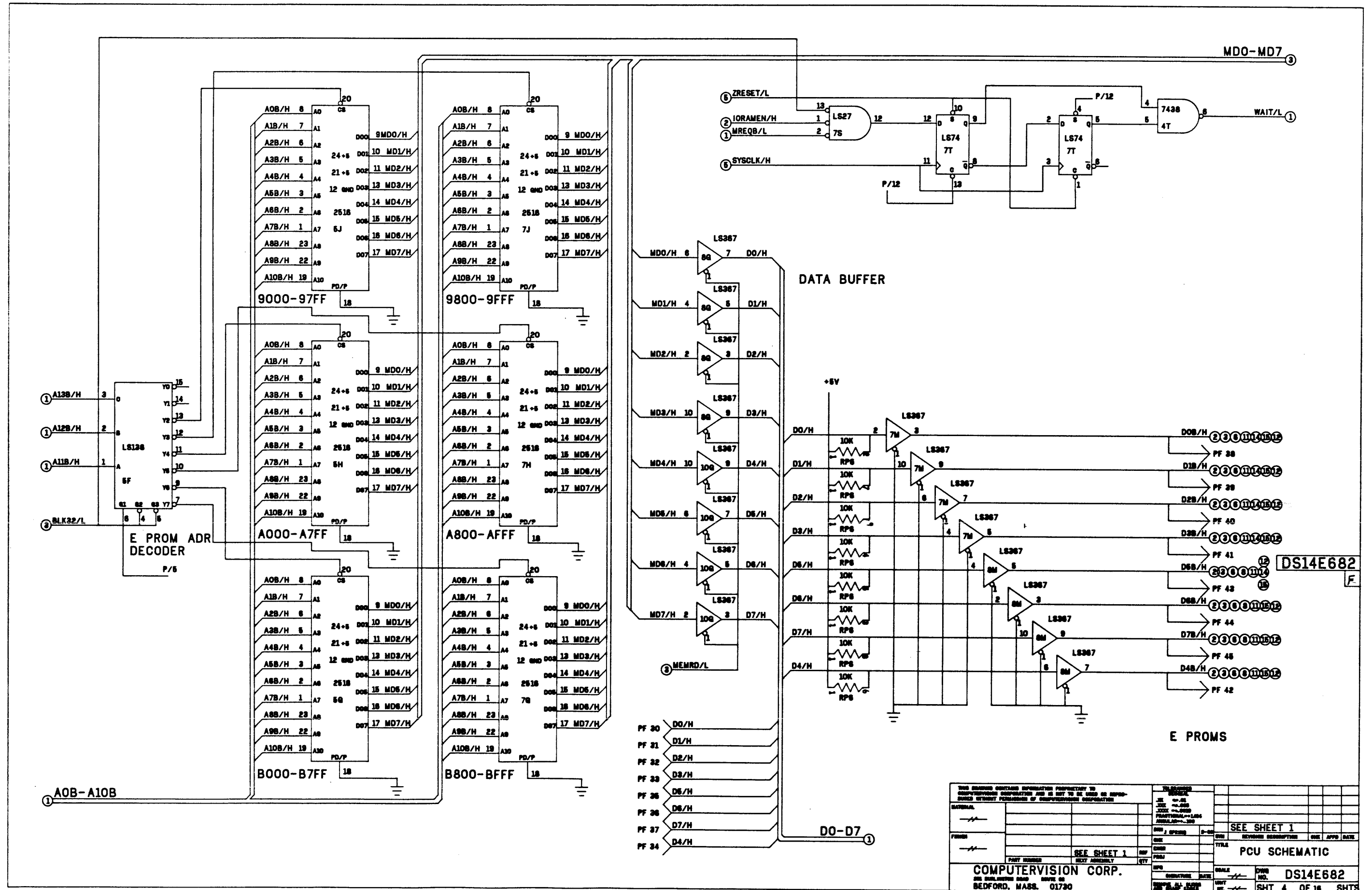
THIS DRAWING CONTAINS INFORMATION PROPRIETARY TO COMPUTERVERSION CORPORATION AND IS NOT TO BE USED OR REPRODUCED WITHOUT PERMISSION OF COMPUTERVERSION CORPORATION.		TELEPHONE SEE SHEET 1	
MATERIAL		DRAWN BY	
PART NUMBER		REV. NO.	
SEE SHEET 1		DATE	
COMPUTERVERSION CORP.		DRAWN NO. DS14E682	
BEDFORD, MASS. 01780		SHT 2 OF 18 SHTS	



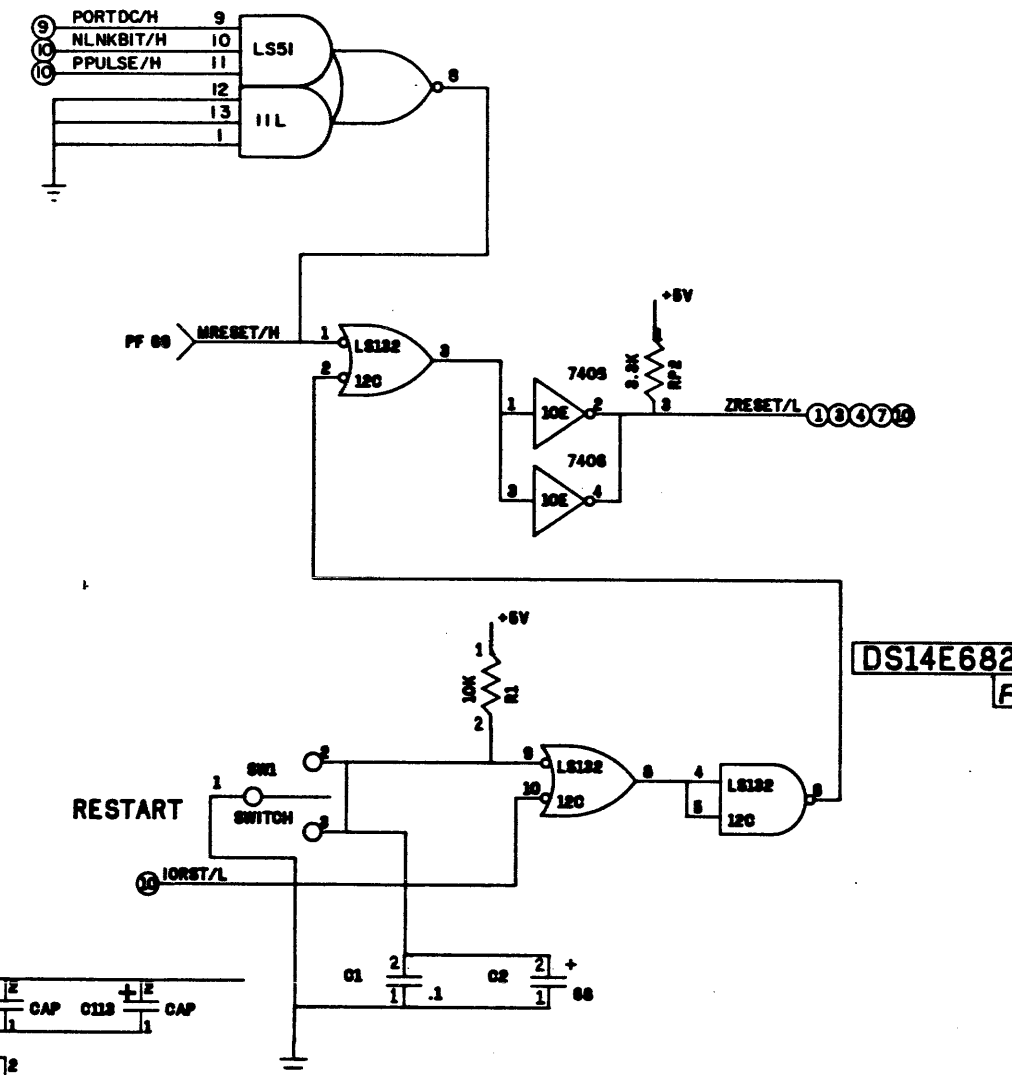
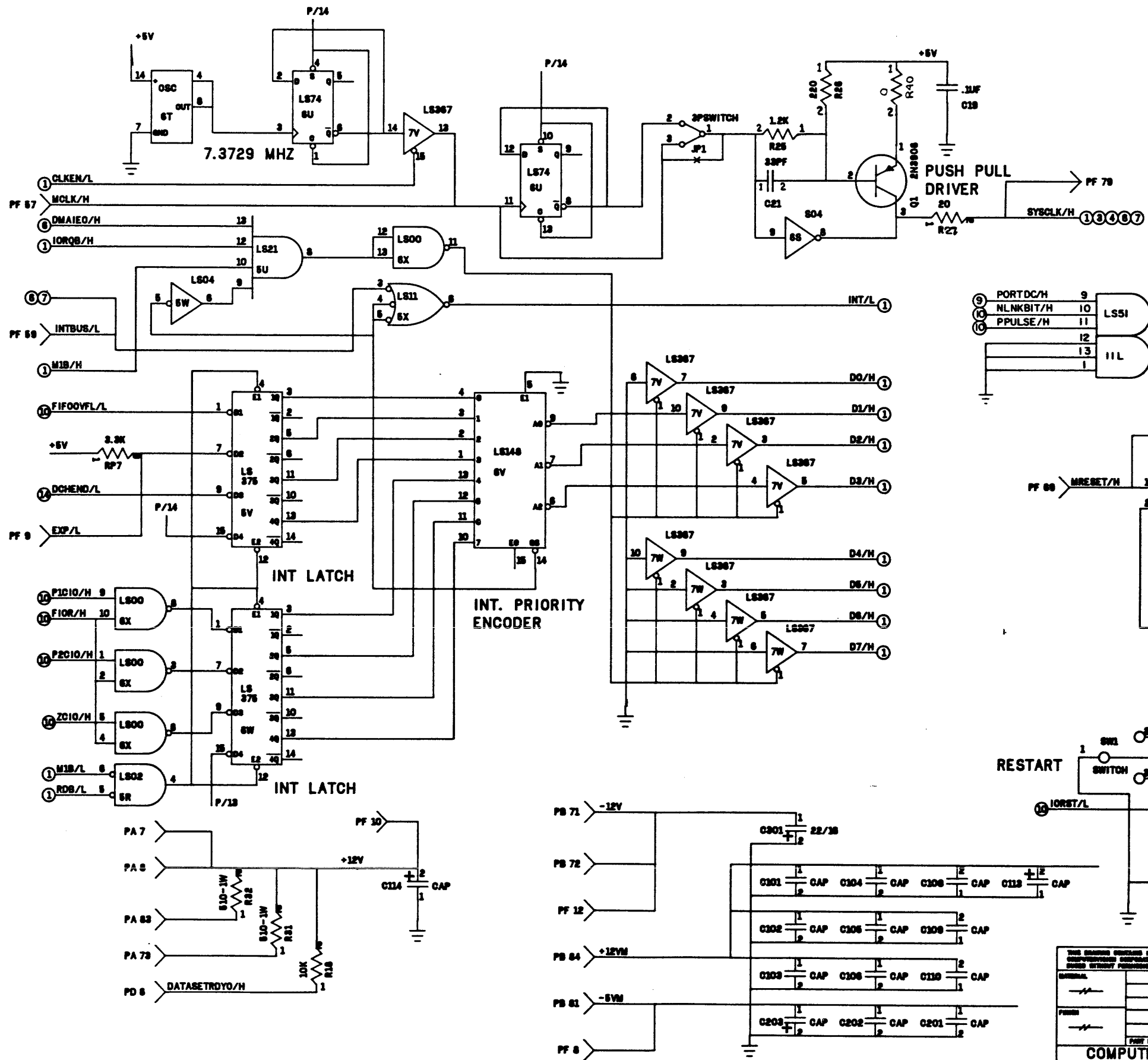
DS14E682
F

16K RAM
BLOCK 0

<small>THIS DRAWING CONTAINS INFORMATION PROPRIETARY TO COMPUTERVISION CORPORATION AND IS NOT TO BE USED OR REPRODUCED WITHOUT PERMISSION OF COMPUTERVISION CORPORATION</small>			<small>RELEASED TO: DATE: BY: REASON: PARTIAL → 2400 ANNUAL → 2400</small>		
<small>REV</small> <small>REV. 1</small> <small>REV. 2</small> <small>REV. 3</small> <small>REV. 4</small> <small>REV. 5</small> <small>REV. 6</small> <small>REV. 7</small> <small>REV. 8</small> <small>REV. 9</small> <small>REV. 10</small>	<small>DATE</small> <small>DATE</small> <small>DATE</small> <small>DATE</small> <small>DATE</small> <small>DATE</small> <small>DATE</small> <small>DATE</small> <small>DATE</small> <small>DATE</small>	<small>BY</small> <small>BY</small> <small>BY</small> <small>BY</small> <small>BY</small> <small>BY</small> <small>BY</small> <small>BY</small> <small>BY</small> <small>BY</small>	<small>QTY</small> <small>QTY</small> <small>QTY</small> <small>QTY</small> <small>QTY</small> <small>QTY</small> <small>QTY</small> <small>QTY</small> <small>QTY</small> <small>QTY</small>	<small>REV. 1</small> <small>REV. 2</small> <small>REV. 3</small> <small>REV. 4</small> <small>REV. 5</small> <small>REV. 6</small> <small>REV. 7</small> <small>REV. 8</small> <small>REV. 9</small> <small>REV. 10</small>	<small>REV. 1</small> <small>REV. 2</small> <small>REV. 3</small> <small>REV. 4</small> <small>REV. 5</small> <small>REV. 6</small> <small>REV. 7</small> <small>REV. 8</small> <small>REV. 9</small> <small>REV. 10</small>
<small>COMPUTERVISION CORP.</small> <small>300 BEDFORD ROAD</small> <small>BEDFORD, MASS. 01730</small>			<small>PCU SCHEMATIC</small> <small>DS14E682</small> <small>SHT 3 OF 18 SHTS</small>		

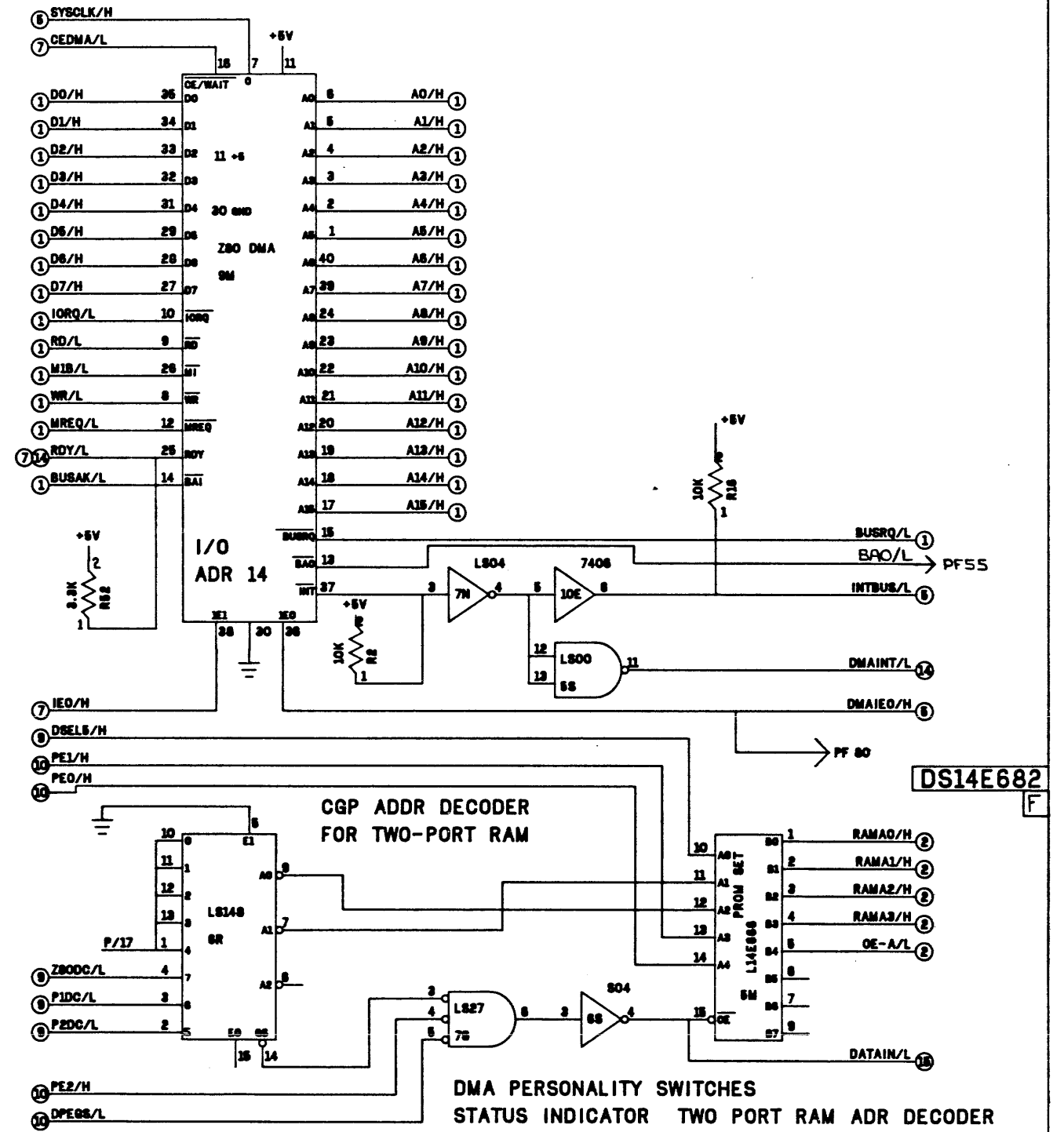
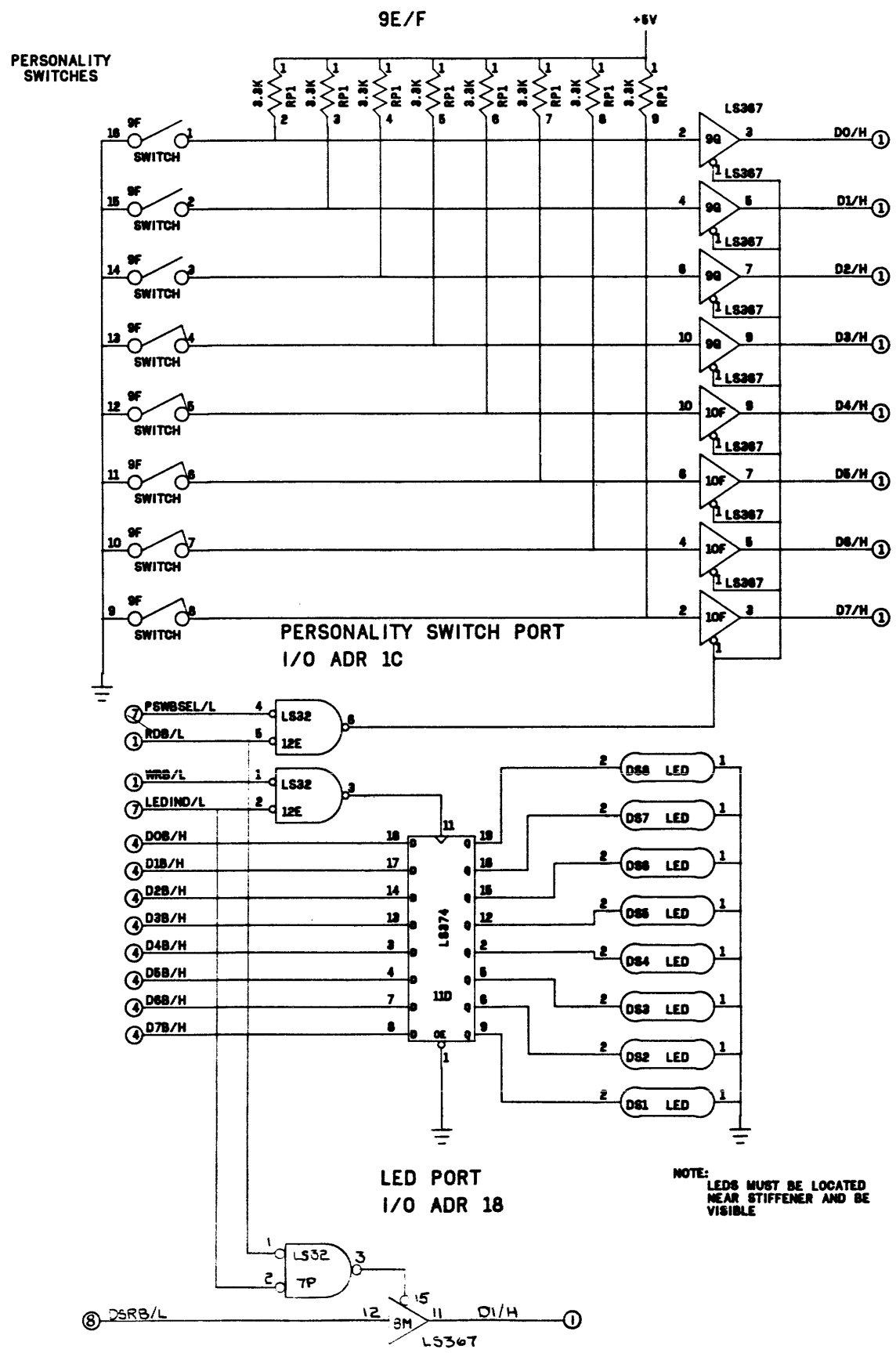


THIS DRAWING CONTAINS INFORMATION PROPRIETARY TO COMPUTERTVISION CORPORATION AND IS NOT TO BE USED OR REPRODUCED WITHOUT PERMISSION OF COMPUTERTVISION CORPORATION		REVISIONS	
DATE: 01-81		BY: J. SPENCER	
DRAWN BY: J. SPENCER		CHECKED BY: J. SPENCER	
PART NUMBER: SEE SHEET 1		REV: 001	
COMPUTERTVISION CORP.		SCALE: 1:1	
200 BURLINGTON ROAD, BEDFORD, MASS. 01730		DWG NO.: DS14E682	
		SHT 4 OF 18 SHTS	



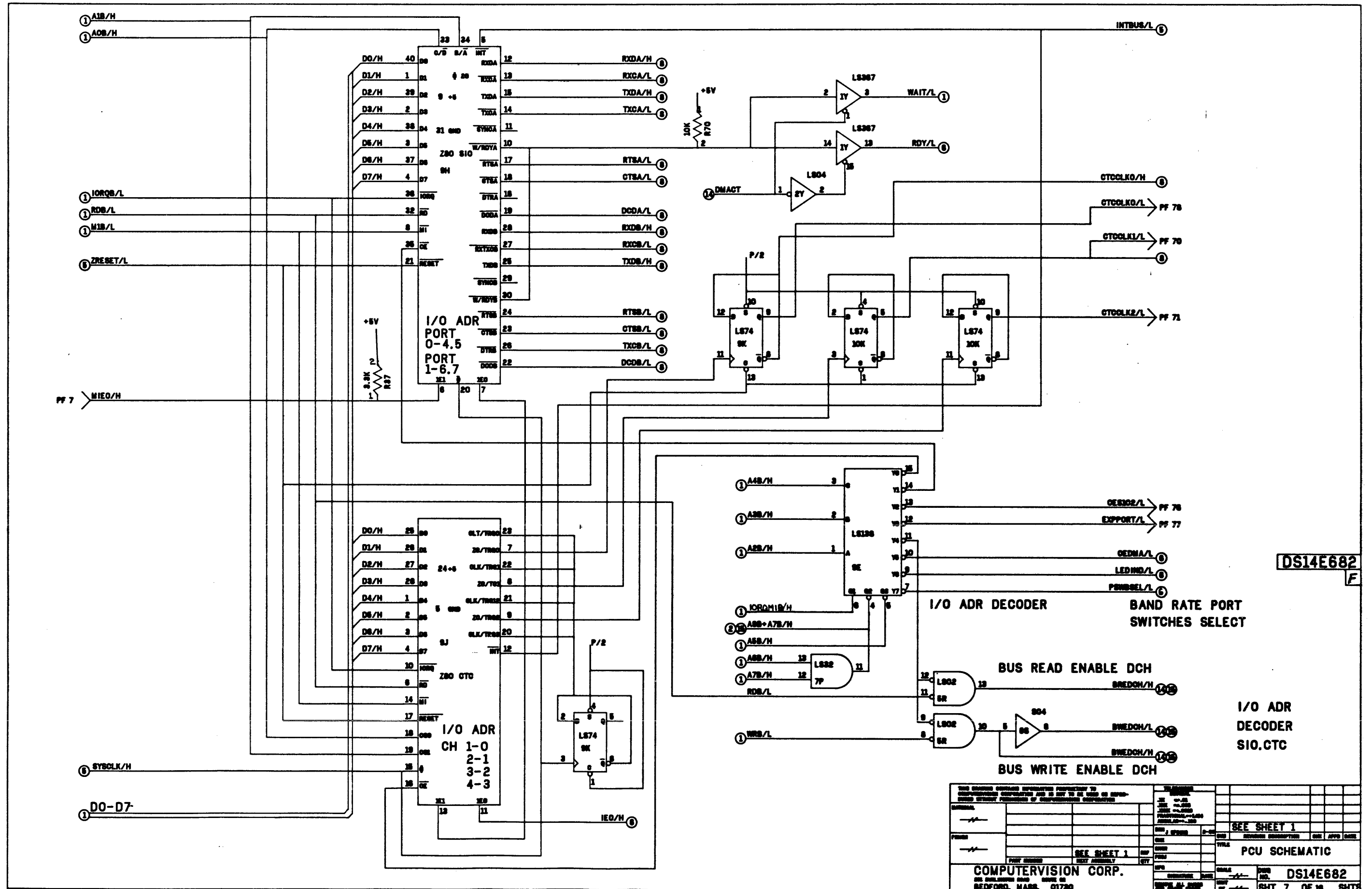
INTERRUPT VECTOR GENERATOR

THIS DRAWING CONTAINS INFORMATION PROPRIETARY TO COMPUTERVISION CORP. AND IS NOT TO BE USED OR REPRODUCED WITHOUT PERMISSION OF COMPUTERVISION CORP.		REVISION	
DATE	BY	REV	DESCRIPTION
SEE SHEET 1		SEE SHEET 1	
PCU SCHEMATIC			
COMPUTERVISION CORP.		DRAWN NO. DS14E682	
BEDFORD, MASS. 01730		SHT 5 OF 18 SHTS	



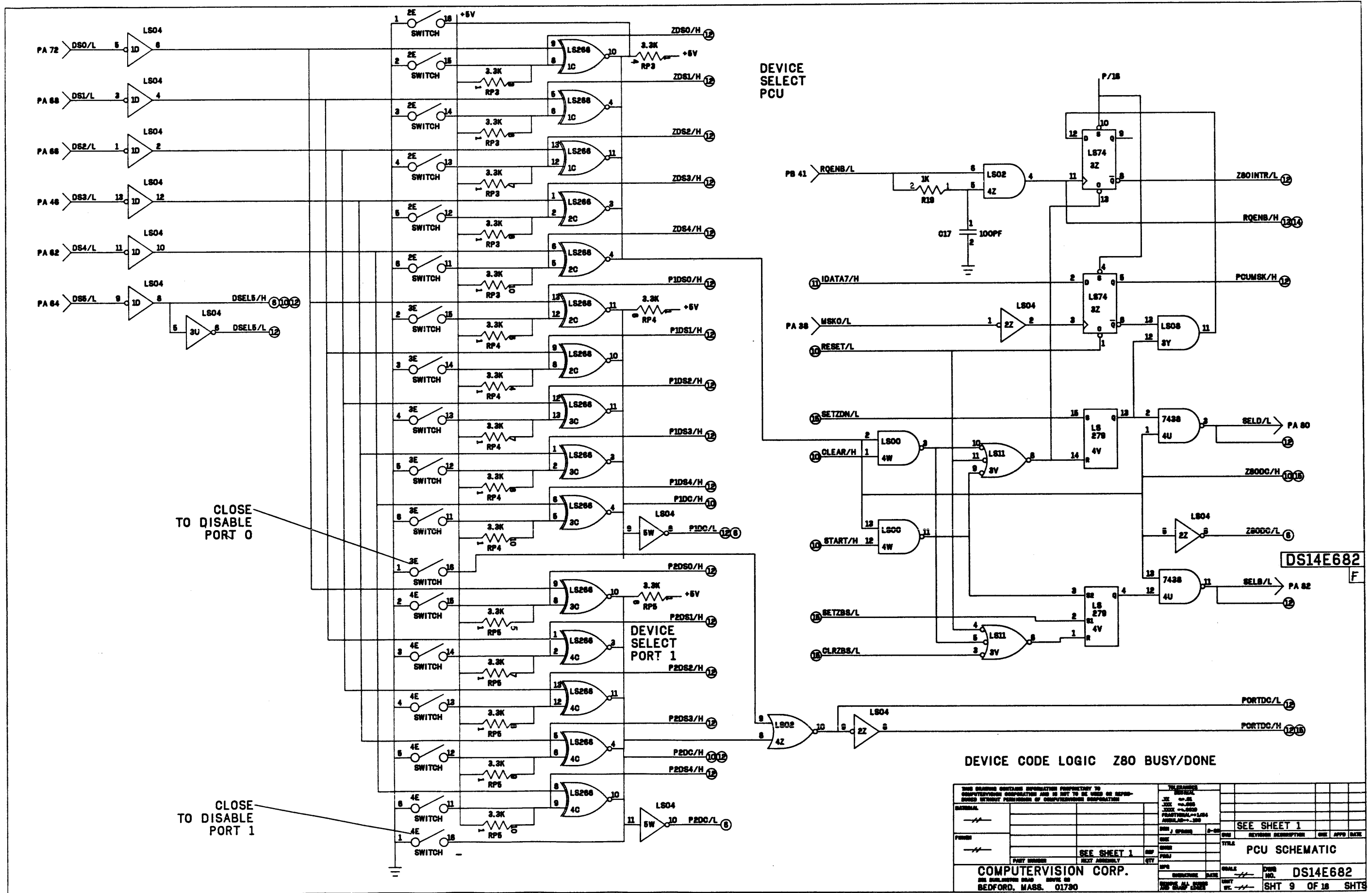
DS14E682
F

THIS DRAWING CONTAINS INFORMATION PROPRIETARY TO COMPUTERVISION CORPORATION AND IS NOT TO BE USED OR REPRODUCED WITHOUT PERMISSION OF COMPUTERVISION CORPORATION			TELEPHONE NO. 603-886-5500 FAX NO. 603-886-5501		
DATE	REV	BY	CHKD	DATE	REV
SEE SHEET 1			SEE SHEET 1		
COMPUTERVISION CORP.			PCU SCHEMATIC		
BEDFORD, MASS. 01730			DS14E682		
			SHT 6 OF 18 SHTS		



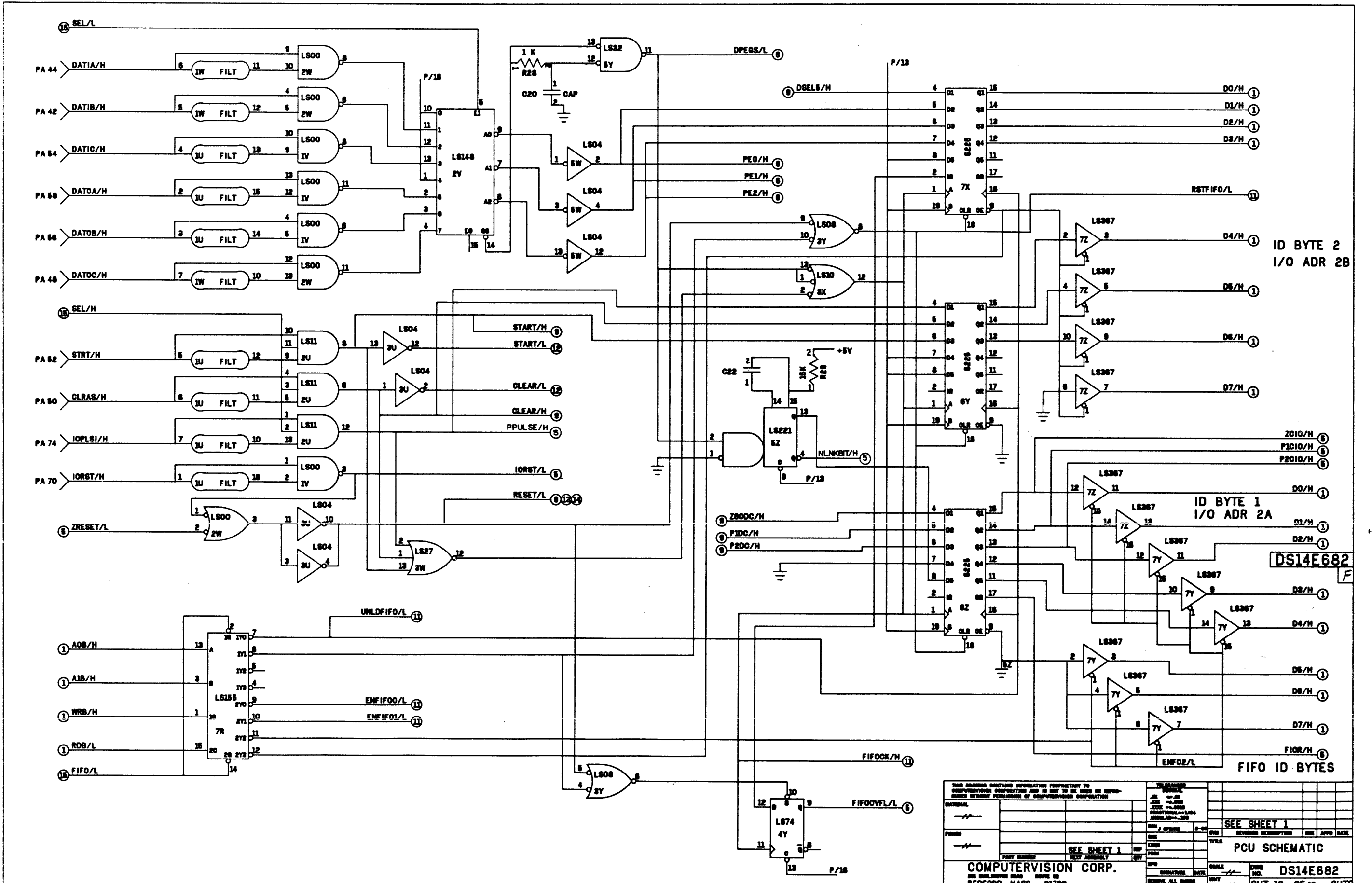
DS14E682
F

THIS DRAWING CONTAINS INFORMATION PROPRIETARY TO COMPUTERVISION CORPORATION AND IS NOT TO BE USED OR REPRODUCED WITHOUT PERMISSION OF COMPUTERVISION CORPORATION.		DATE: 11-11-82 DESIGNED BY: J. J. BROWN DRAWN BY: J. J. BROWN CHECKED BY: J. J. BROWN APPROVED BY: J. J. BROWN	
PART NO. SEE SHEET 1 QTY.	PART NO. SEE SHEET 1 QTY.	TITLE: PCU SCHEMATIC	SHEET NO. DS14E682 OF 38 SHEETS
COMPUTERVISION CORP. 200 BROADWAY BEDFORD, MASS. 01730		SCALE: 1:1 DATE: 11-11-82 DRAWN BY: J. J. BROWN CHECKED BY: J. J. BROWN APPROVED BY: J. J. BROWN	

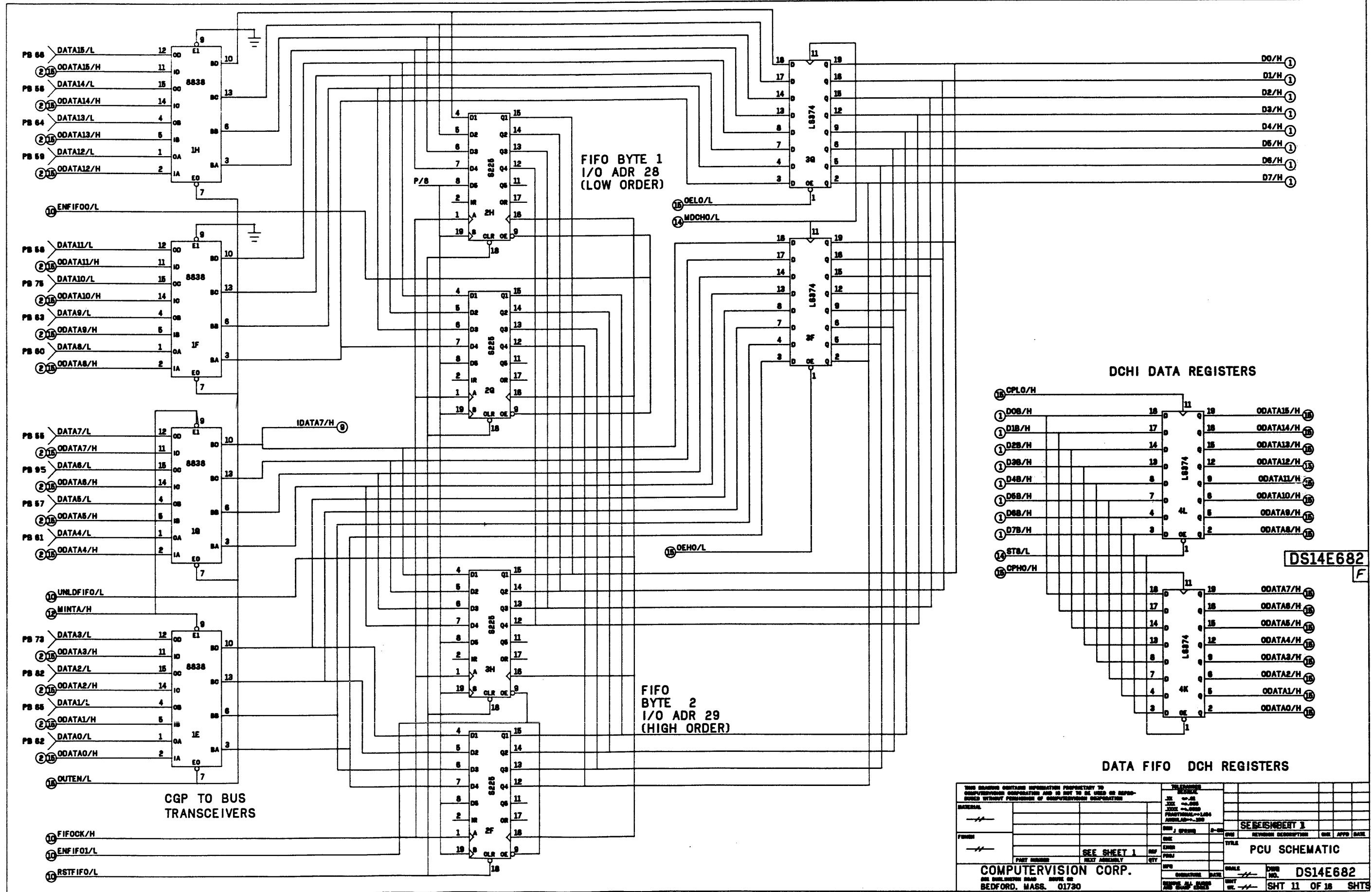


DEVICE CODE LOGIC Z80 BUSY/DONE

THIS DRAWING CONTAINS INFORMATION PROPRIETARY TO COMPUTATION CORPORATION AND IS NOT TO BE USED OR REPRODUCED WITHOUT PERMISSION OF COMPUTATION CORPORATION		REVISIONS	
DATE	BY	REV	DESCRIPTION
PART NUMBER		QTY	UNIT
SEE SHEET 1			
COMPUTATION CORP.		DRAWING NO. DS14E682	
300 BURLINGTON ROAD		SHT 9 OF 18 SHTS	
BEDFORD, MASS. 01730			



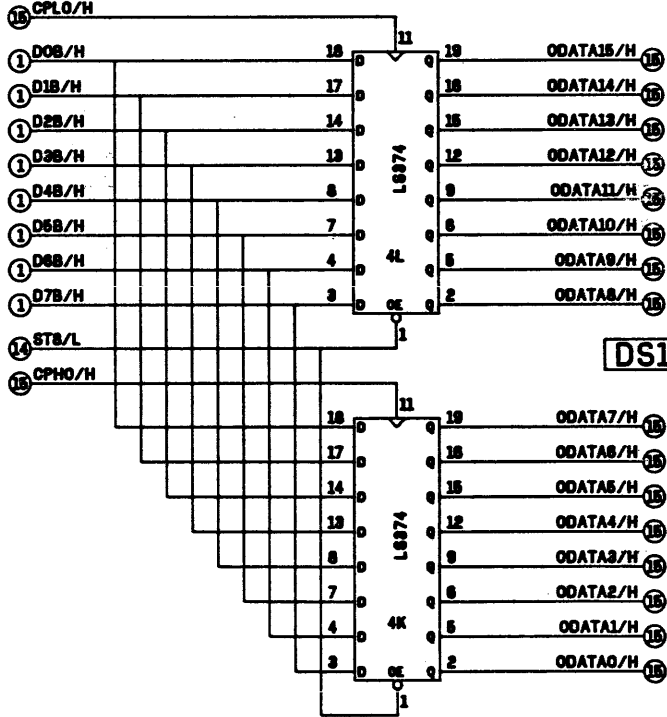
THIS DRAWING CONTAINS INFORMATION PROPRIETARY TO COMPUTERVISION CORPORATION AND IS NOT TO BE USED OR REPRODUCED WITHOUT PERMISSION OF COMPUTERVISION CORPORATION.			
DATE	REV	BY	CHK
PART NUMBER		REV	QTY
SEE SHEET 1			
COMPUTERVISION CORP. 200 BROADVIEW ROAD BEDFORD, MASS. 01730			
TITLE		DRAW NO.	
PCU SCHEMATIC		DS14E682	
SEE SHEET 1		SHT 10 OF 18 SHTS	



FIFO BYTE 1
I/O ADR 28
(LOW ORDER)

FIFO
BYTE 2
I/O ADR 29
(HIGH ORDER)

DCHI DATA REGISTERS



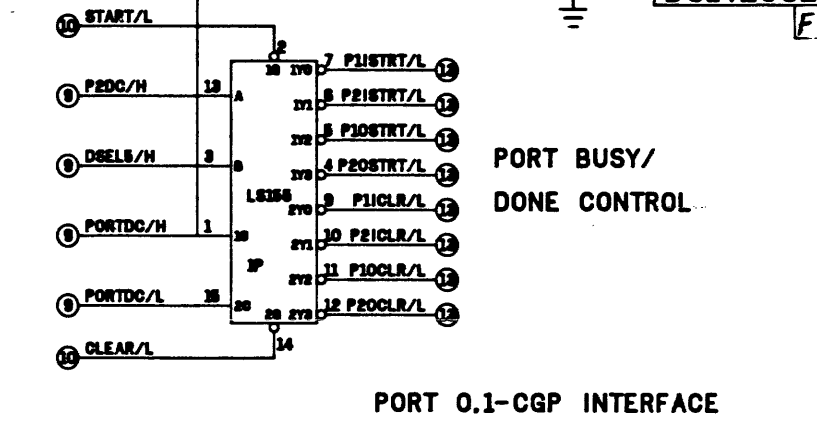
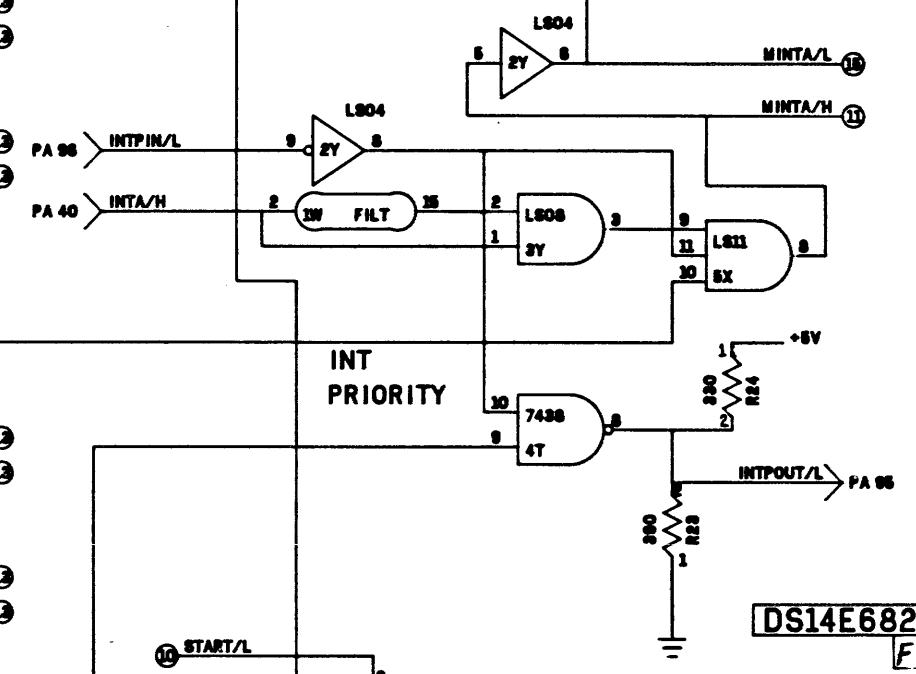
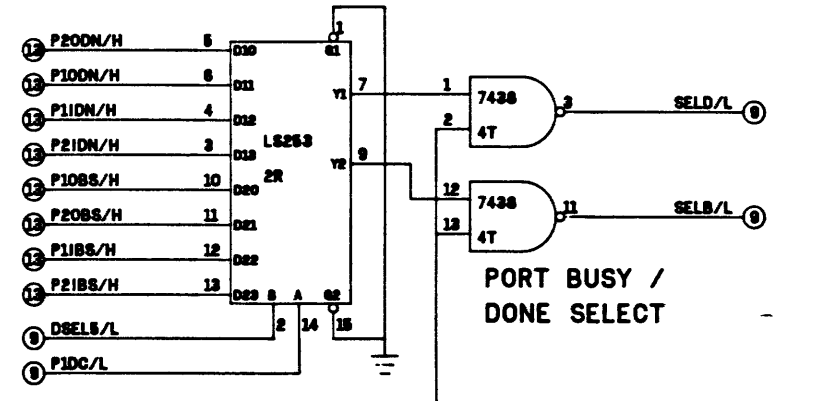
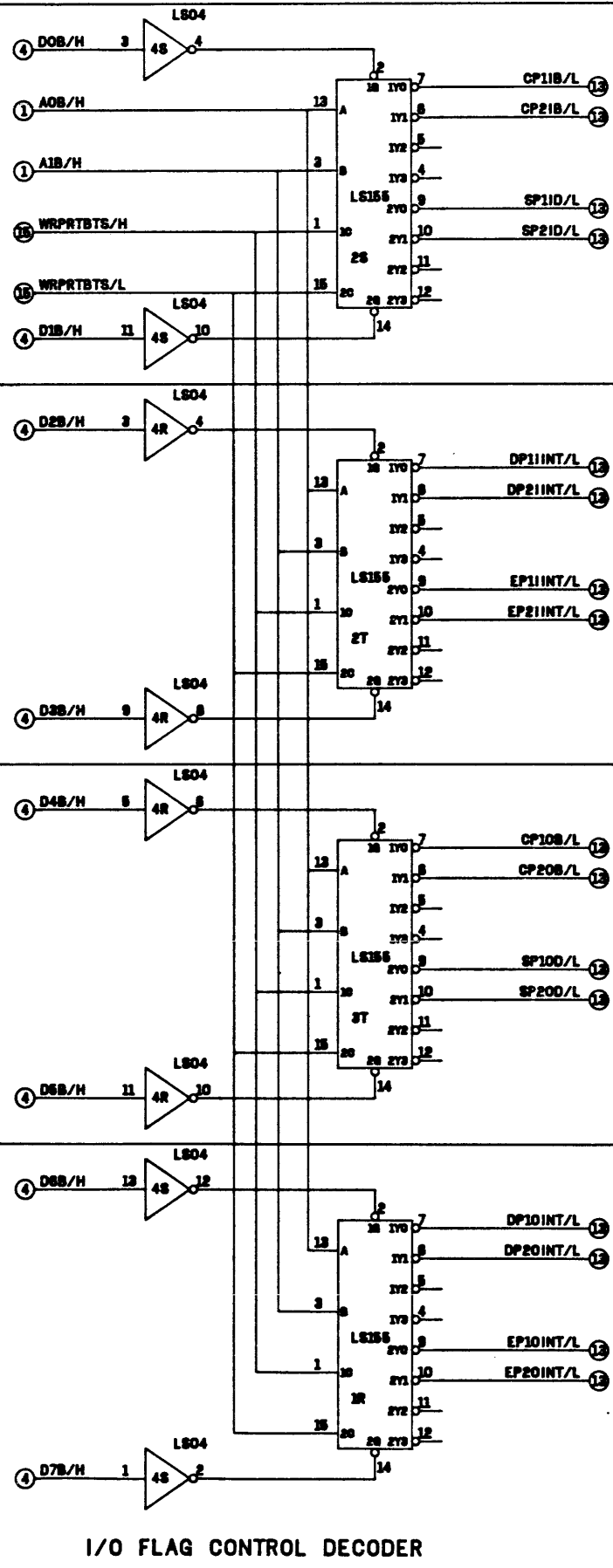
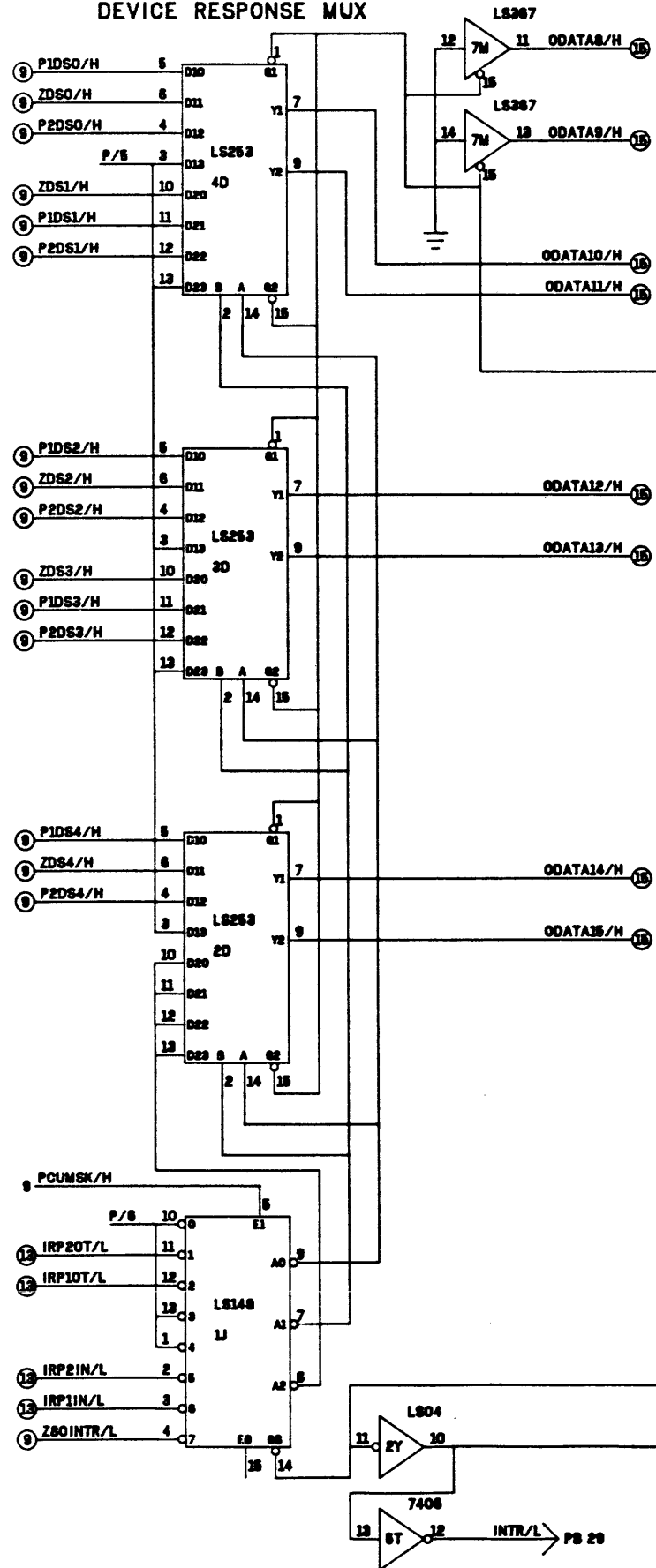
DS14E682

F

DATA FIFO DCH REGISTERS

THIS DRAWING CONTAINS INFORMATION PROPRIETARY TO COMPUTERVERSION CORPORATION AND IS NOT TO BE USED OR REPRODUCED WITHOUT PERMISSION OF COMPUTERVERSION CORPORATION.		REVISION			
DATE: 11/15/88		BY: J. SPINER		REV: 1	
DRAWN: 11/15/88		CHKD: 11/15/88		APP'D: 11/15/88	
PART NUMBER: SEE SHEET 1		NEXT ASSEMBLY:		REV: 1	
COMPUTERVERSION CORP.		DATE: 11/15/88		DWN NO. DS14E682	
BEDFORD, MASS. 01730		DATE: 11/15/88		SHT 11 OF 18 SHTS	

DEVICE RESPONSE MUX



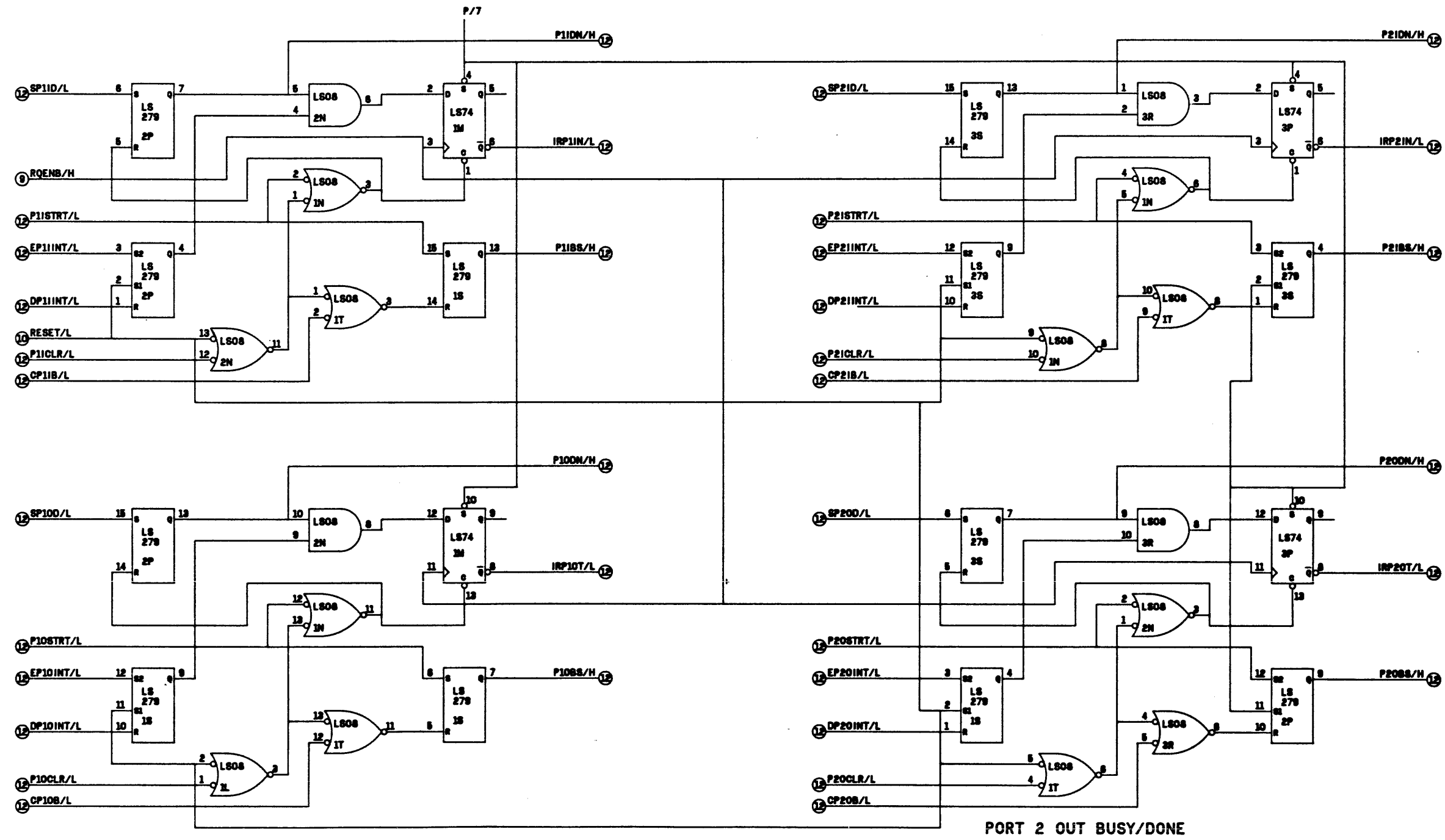
THIS DRAWING CONTAINS INFORMATION PROPRIETARY TO COMPUTERVISION CORPORATION AND IS NOT TO BE USED OR REPRODUCED WITHOUT PERMISSION OF COMPUTERVISION CORPORATION		TELEPHONE			
GENERAL		REV		DATE	
DRAWN		REV		DATE	
CHECKED		REV		DATE	
PART NUMBER		REV		DATE	
COMPUTERVISION CORP.		DRAWN NO.		DS14E682	
BEDFORD, MASS. 01790		SHEET NO.		SHT 12 OF 18 SHTS	

I/O FLAG CONTROL DECODER

PORT 0.1-CGP INTERFACE

PORT 0 IN BUSY/DONE

PORT 1 IN BUSY/DONE



PORT 0 OUT BUSY/DONE

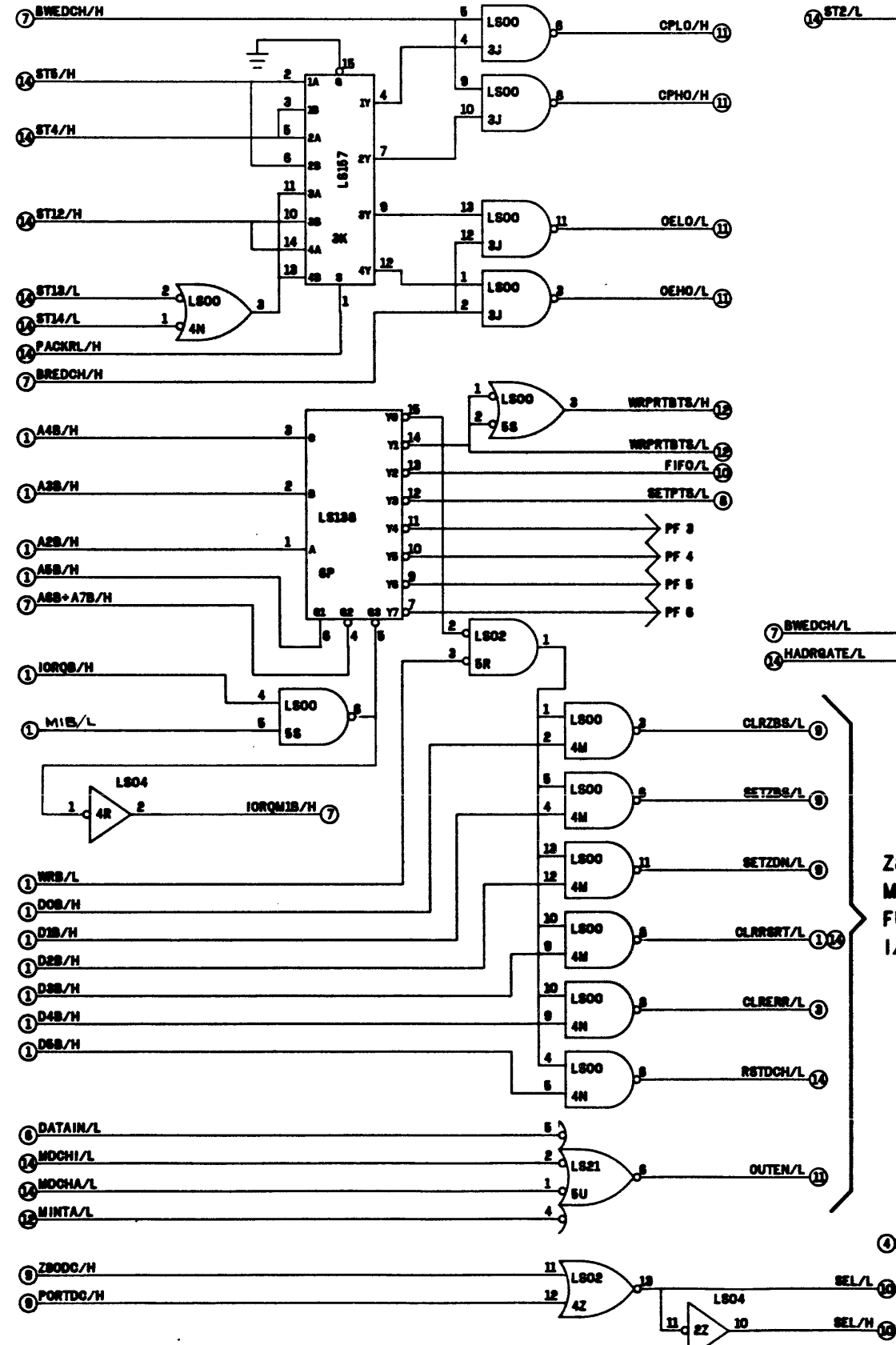
PORT 2 OUT BUSY/DONE

PORT 0-1 BUSY/DONE

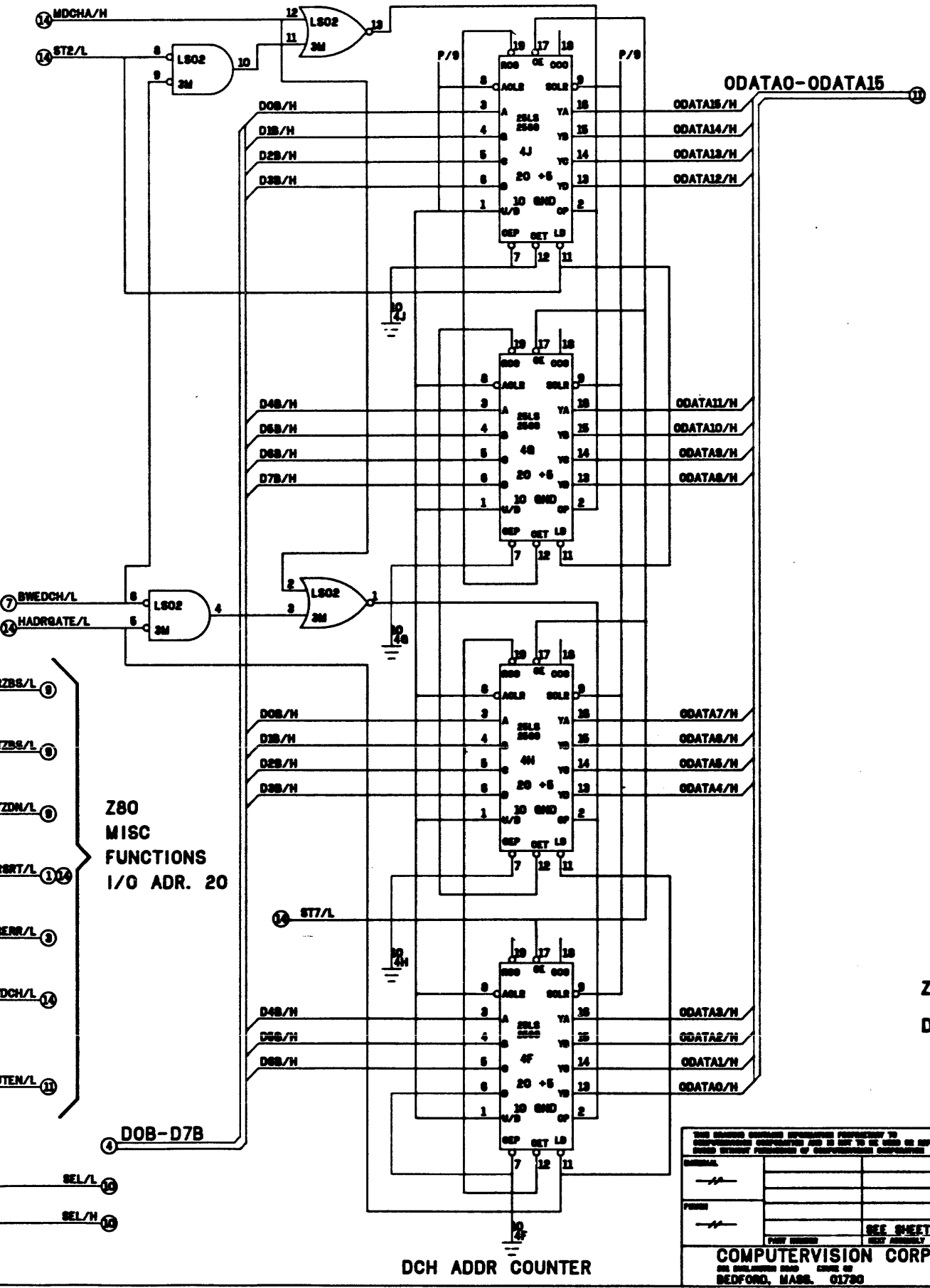
DS14E682
E

<p>THIS DRAWING CONTAINS INFORMATION PROPRIETARY TO COMPUTERVISION CORPORATION AND IS NOT TO BE USED OR REPRODUCED WITHOUT PERMISSION OF COMPUTERVISION CORPORATION.</p>			
<p>DATE: _____</p> <p>BY: _____</p> <p>CHKD: _____</p> <p>APP'D: _____</p> <p>REV: _____</p>	<p>REV: _____</p> <p>DATE: _____</p> <p>BY: _____</p> <p>CHKD: _____</p> <p>APP'D: _____</p> <p>REV: _____</p>	<p>REV: _____</p> <p>DATE: _____</p> <p>BY: _____</p> <p>CHKD: _____</p> <p>APP'D: _____</p> <p>REV: _____</p>	<p>REV: _____</p> <p>DATE: _____</p> <p>BY: _____</p> <p>CHKD: _____</p> <p>APP'D: _____</p> <p>REV: _____</p>
<p>SEE SHEET 1</p>		<p>SEE SHEET 1</p>	
<p>COMPUTERVISION CORP. 300 HIGHLAND AVENUE BEDFORD, MASS. 01730</p>			
<p>SCALE: _____</p> <p>TITLE: PCU SCHEMATIC</p>		<p>DATE: _____</p> <p>NO. DS14E682</p> <p>SHT 13 OF 18 SHTS</p>	

BYTE PACKING DIRECTION CONTROL



Z80 MISC FUNCTIONS I/O ADR. 20

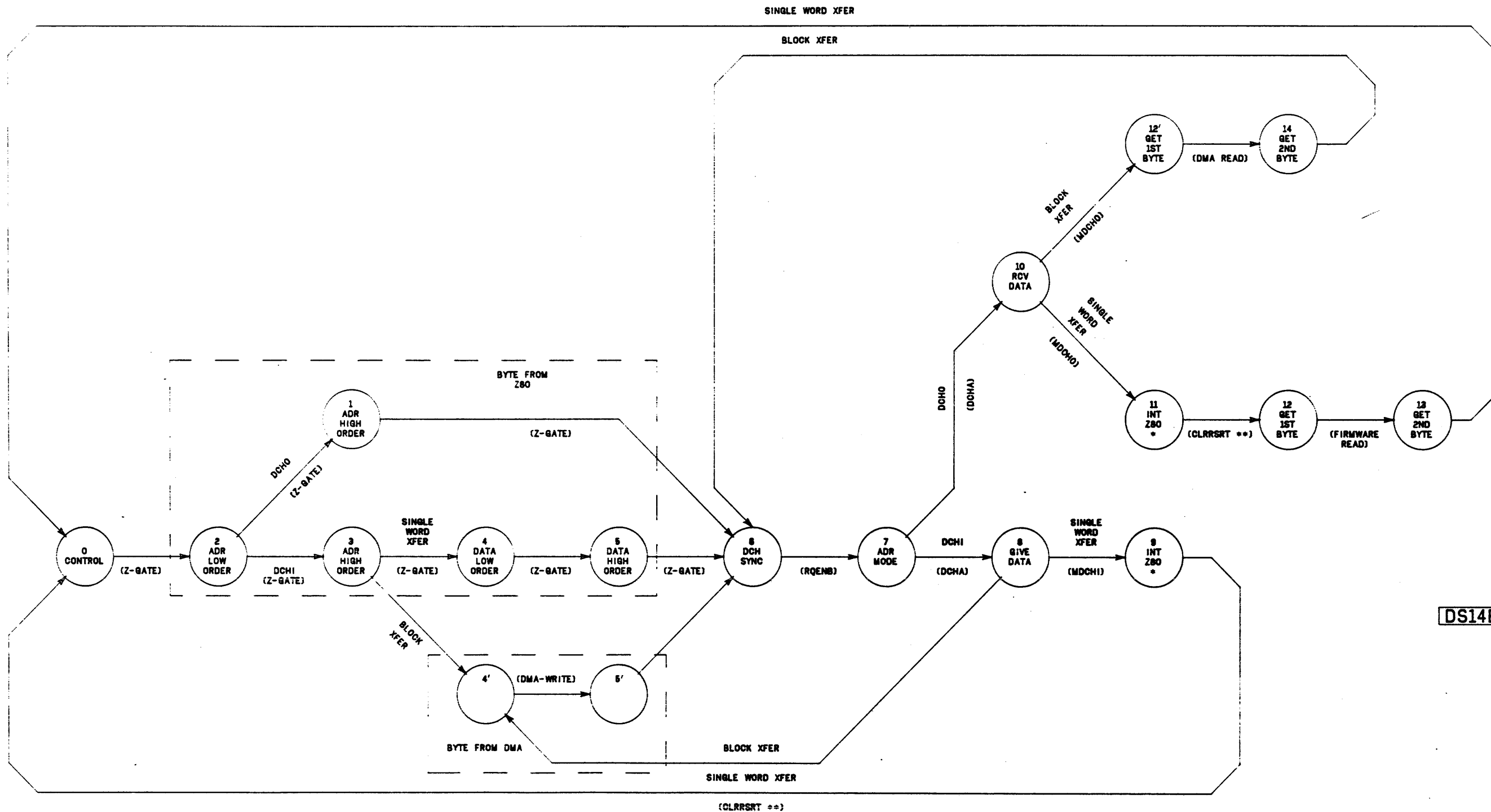


DCH ADDR COUNTER

Z80 MISC FUNCTIONS DCH ADDER COUNTER

DS14E682
E

<p>THIS DRAWING CONTAINS INFORMATION PROPRIETARY TO COMPUTERVISION CORP. AND IS NOT TO BE USED OR REPRODUCED WITHOUT PERMISSION OF COMPUTERVISION CORP.</p>		<p>DATE: 01-82 REV: 01 DRAWN BY: J. W. BROWN CHECKED BY: J. W. BROWN APPROVED BY: J. W. BROWN</p>	<p>PROJECT: PCU SCHEMATIC SHEET: 15 OF 20</p>
<p>SEE SHEET 1</p>	<p>SEE SHEET 1</p>	<p>SEE SHEET 1</p>	<p>SEE SHEET 1</p>
<p>COMPUTERVISION CORP. 300 WILLOW ROAD BEDFORD, MASS. 01730</p>		<p>SCALE: 1:1</p>	<p>DS14E682 SHT 15 OF 20 SHTS</p>



* DCHEND INT

** CLEARS DCH INT

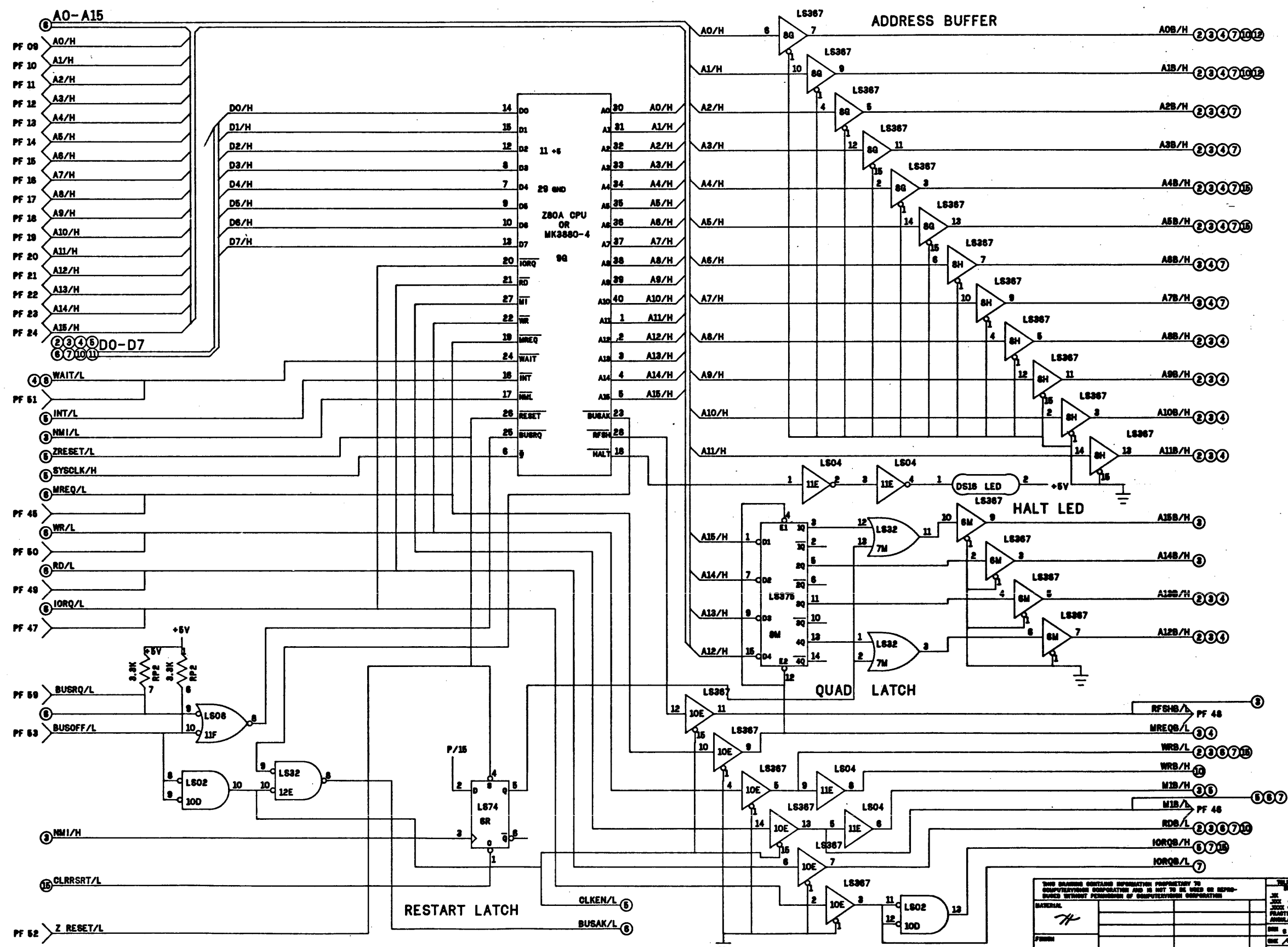
SIGNALS IN PARENTHESES
CAUSE THE STATES TO
ADVANCE.

DATA CHANNEL CONTROLLER STATE DIAGRAM

THIS DRAWING CONTAINS INFORMATION PROPRIETARY TO COMPUTERSYSTEMS CORPORATION AND IS NOT TO BE USED OR REPRODUCED WITHOUT PERMISSION OF COMPUTERSYSTEMS CORPORATION		REVISED	DATE		
MATERIAL		REV 1	0-10		
FINISH		REV 2	0-10		
		REV 3	0-10		
		REV 4	0-10		
		REV 5	0-10		
		REV 6	0-10		
		REV 7	0-10		
		REV 8	0-10		
		REV 9	0-10		
		REV 10	0-10		
COMPUTERSYSTEMS CORP.			SCALE	DWG NO.	DS14E682
200 BURLINGTON ROAD BEDFORD, MASS. 01730			SIGNATURE	DATE	
			UNIT	WT.	
				SHT 18	OF 18 SHTS

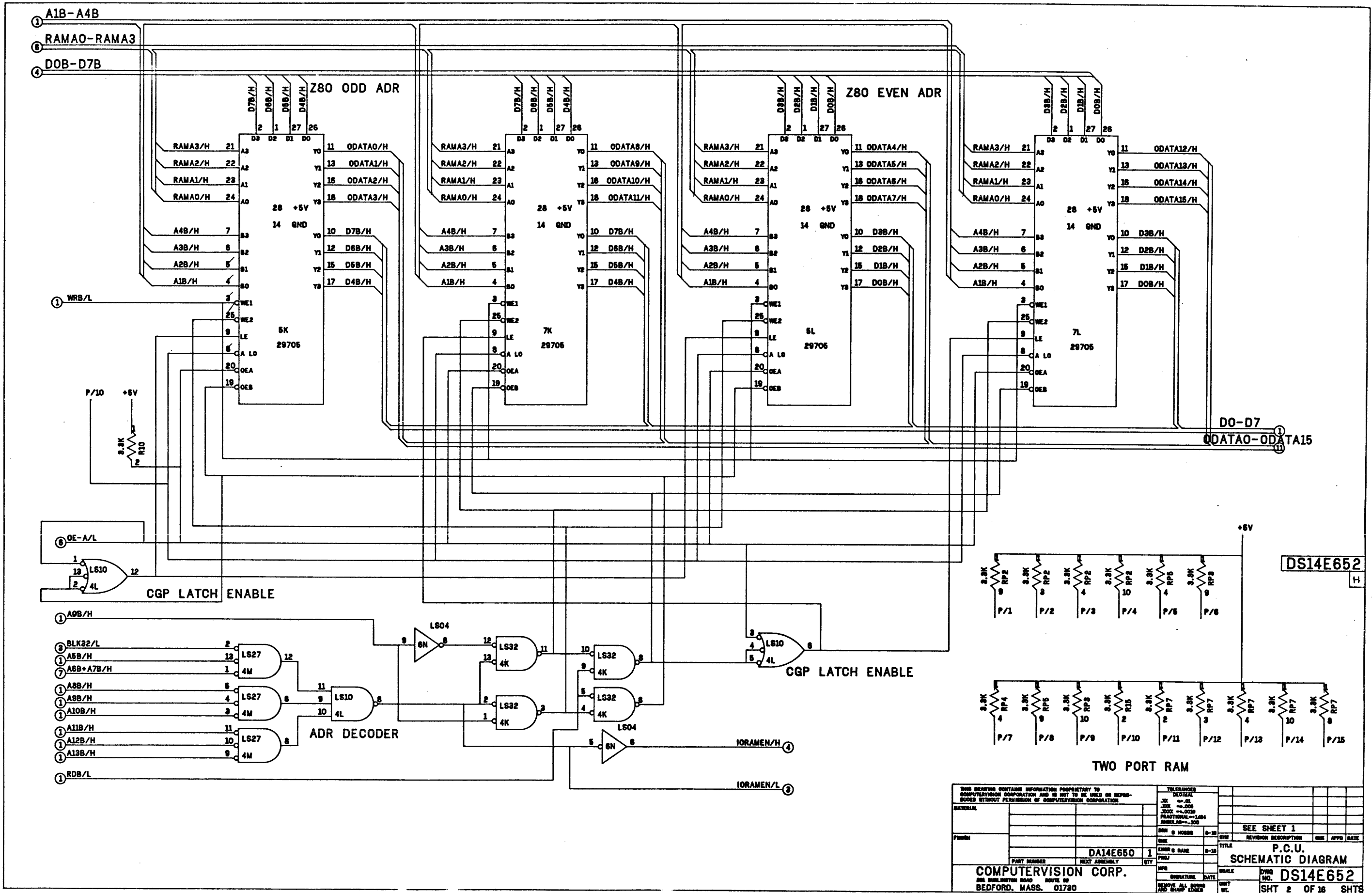
Programmable Communications Unit
(Obsolete)
DS14E652

	<u>Sheet No.</u>
Z80 Circuits (Sheet 1 of 16)	2
Two Port RAM (Sheet 2 of 16)	3
16K RAM Block 0 (Sheet 3 of 16)	4
E PROMS (Sheet 4 of 16)	5
Interrupt Vector Generator (Sheet 5 of 16)	6
DMA Personality Switches, Status Indicator, Two Port RAM Address Decoder (Sheet 6 of 16)	7
I/O Address Decoder, SIO, CTC (Sheet 7 of 16)	8
SIO Communications Interface (Sheet 8 of 16)	9
Device Code Logic, Z80 Busy/Done (Sheet 9 of 16)	10
FIFO ID Bytes (Sheet 10 of 16)	11
Data FIFO, DCH Registers (Sheet 11 of 16)	12
Port 0 and 1 CGP Interface (Sheet 12 of 16)	13
Port 0 and 1 Busy/Done (Sheet 13 of 16)	14
Data Channel (Sheet 14 of 16)	15
Z80 Miscellaneous Functions, DCH Address Counter (Sheet 15 of 16)	16
Data Channel Controller State Diagram (Sheet 16 of 16)	17

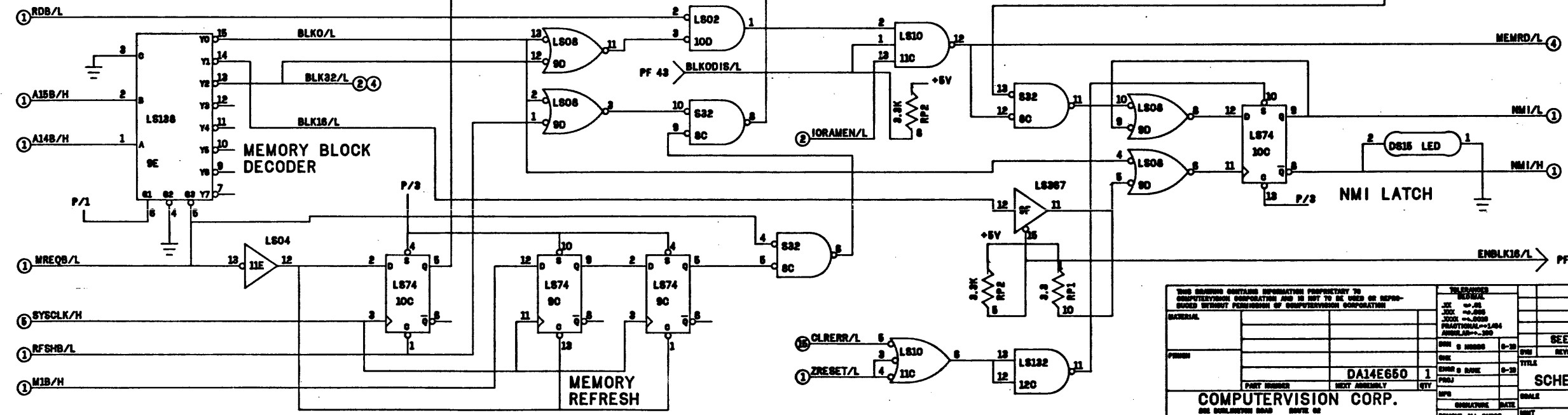
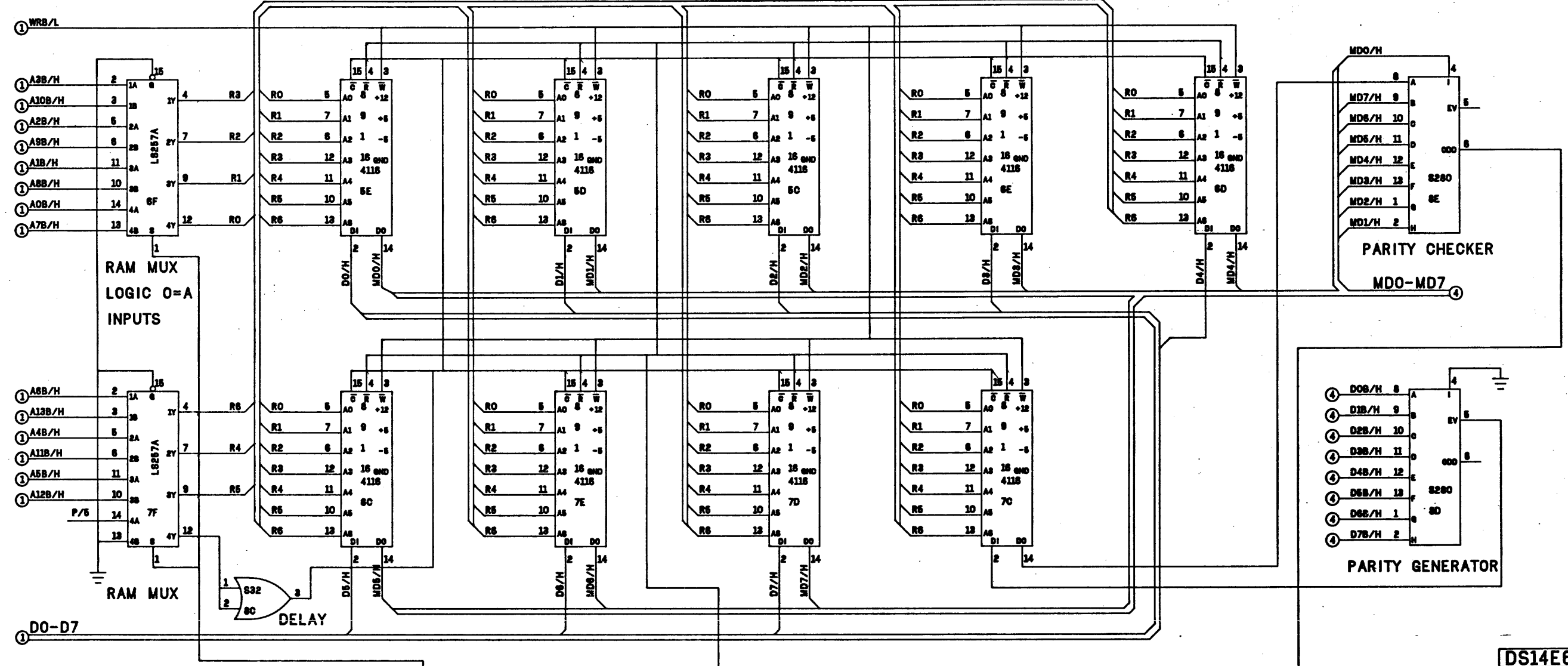


DS14E652
H

THIS DRAWING CONTAINS INFORMATION PROPRIETARY TO COMPUTERVISION CORPORATION AND IS NOT TO BE USED OR REPRODUCED WITHOUT PERMISSION OF COMPUTERVISION CORPORATION.		TELEPHONE		G ECO 3447	
		F ECO 3256		H ECO 3229	
		D ECO 3186		H ECO 3478	
		DATE		REV	
		DA14E650		P.C.U. SCHEMATIC DIAGRAM	
COMPUTERVISION CORP.		200 DUNSTON ROAD		BEDFORD, MASS. 01790	
		DATE		SHT 1 OF 16	

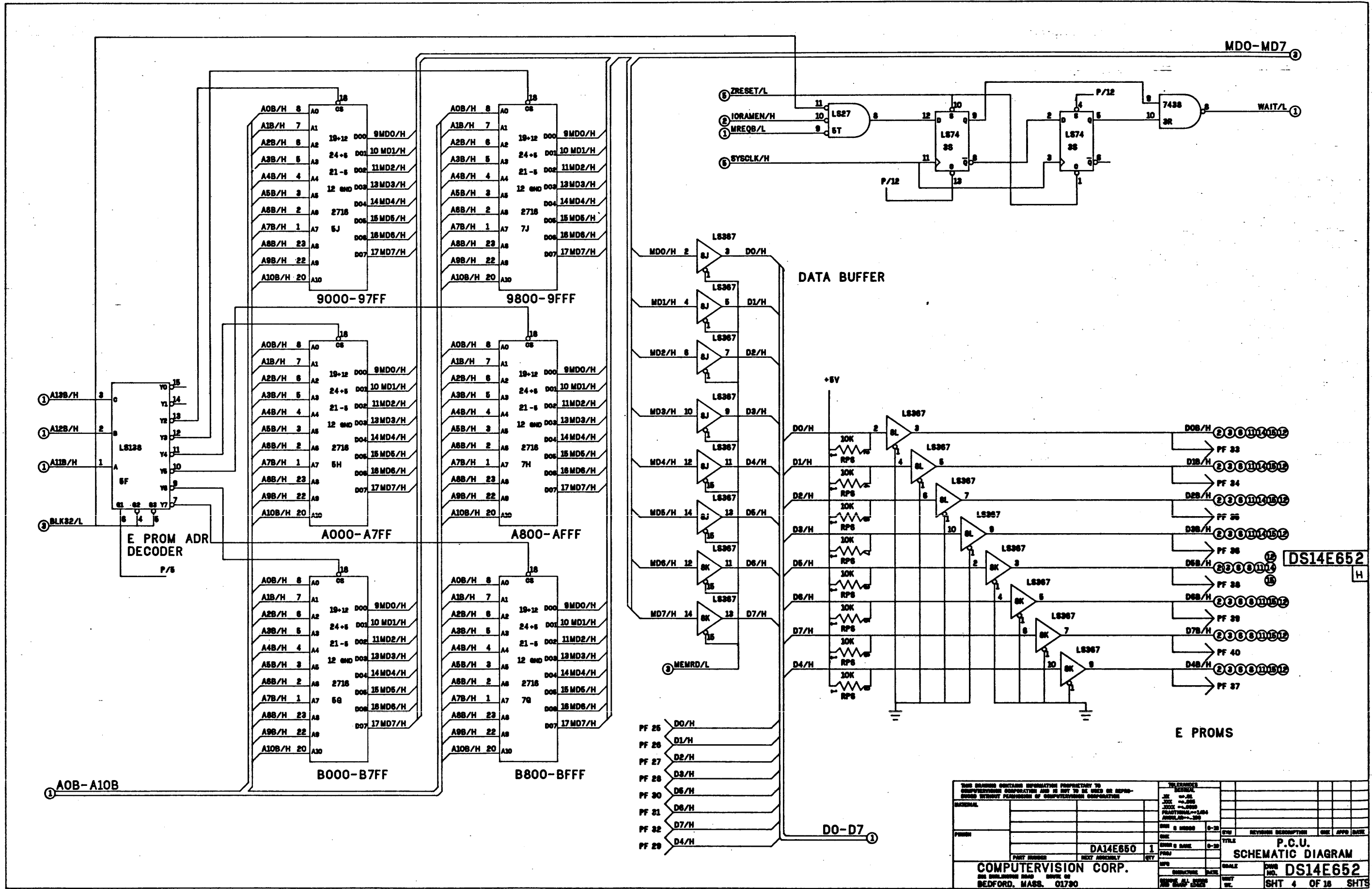


THIS DRAWING CONTAINS INFORMATION PROPRIETARY TO COMPUTERVISION CORPORATION AND IS NOT TO BE USED OR REPRODUCED WITHOUT PERMISSION OF COMPUTERVISION CORPORATION		TOLERANCES UNLESS SPECIFIED	
DIMENSIONS ARE IN INCHES UNLESS OTHERWISE SPECIFIED		DECIMAL	
FRACTIONS ARE TO BE USED UNLESS OTHERWISE SPECIFIED		FRACTIONS	
MATERIAL		REV. NO. 0000	
PART NUMBER		REV. NO. 0000	
NEXT ASSEMBLY		REV. NO. 0000	
QTY		REV. NO. 0000	
COMPUTERVISION CORP.		SEE SHEET 1	
300 BEDFORD ROAD		REV. NO. 0000	
BEDFORD, MASS. 01730		REV. NO. 0000	
SCALE		TITLE	
DWG. NO. DS14E652		P.C.U. SCHEMATIC DIAGRAM	
SHT 2 OF 18 SHTS		REV. NO. 0000	

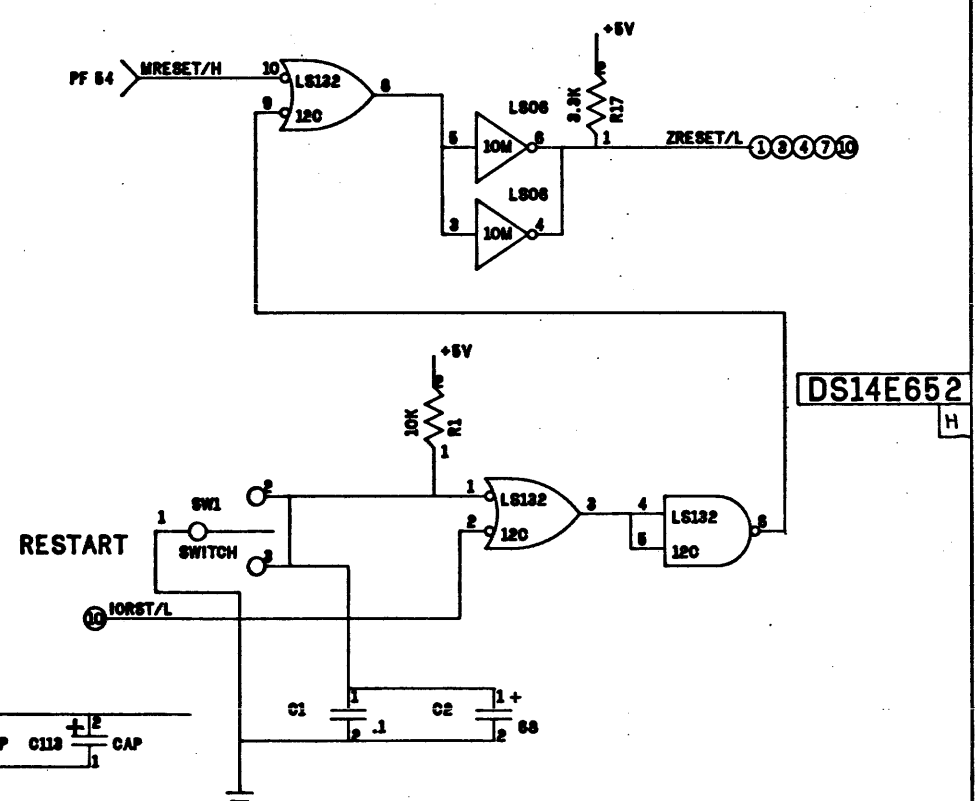
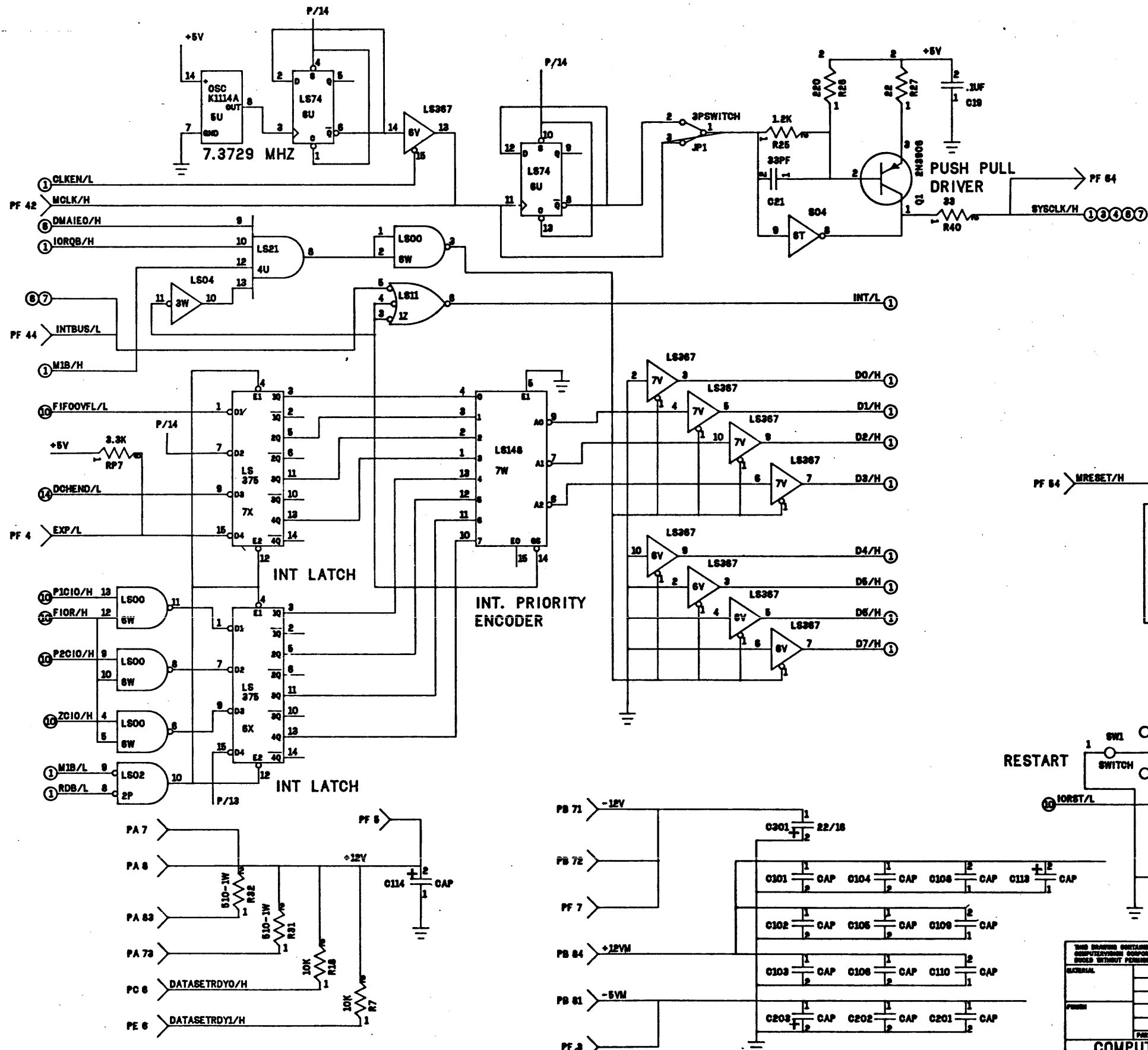


DS14E652
H

THIS DRAWING CONTAINS INFORMATION PROPRIETARY TO COMPUTATION CORPORATION AND IS NOT TO BE USED OR REPRODUCED WITHOUT PERMISSION OF COMPUTATION CORPORATION		REVISED REVISION		DATE	
MATERIAL		REV 0		0-30	
PART NUMBER		DA14E650		1	
NEXT ASSEMBLY		QTY		1	
COMPUTATION CORP.		SCALE		DRAW NO.	
ONE DUBLINWAY ROAD BEDFORD, MASS. 01730		DATE		SHT 3 OF 18 SHTS	



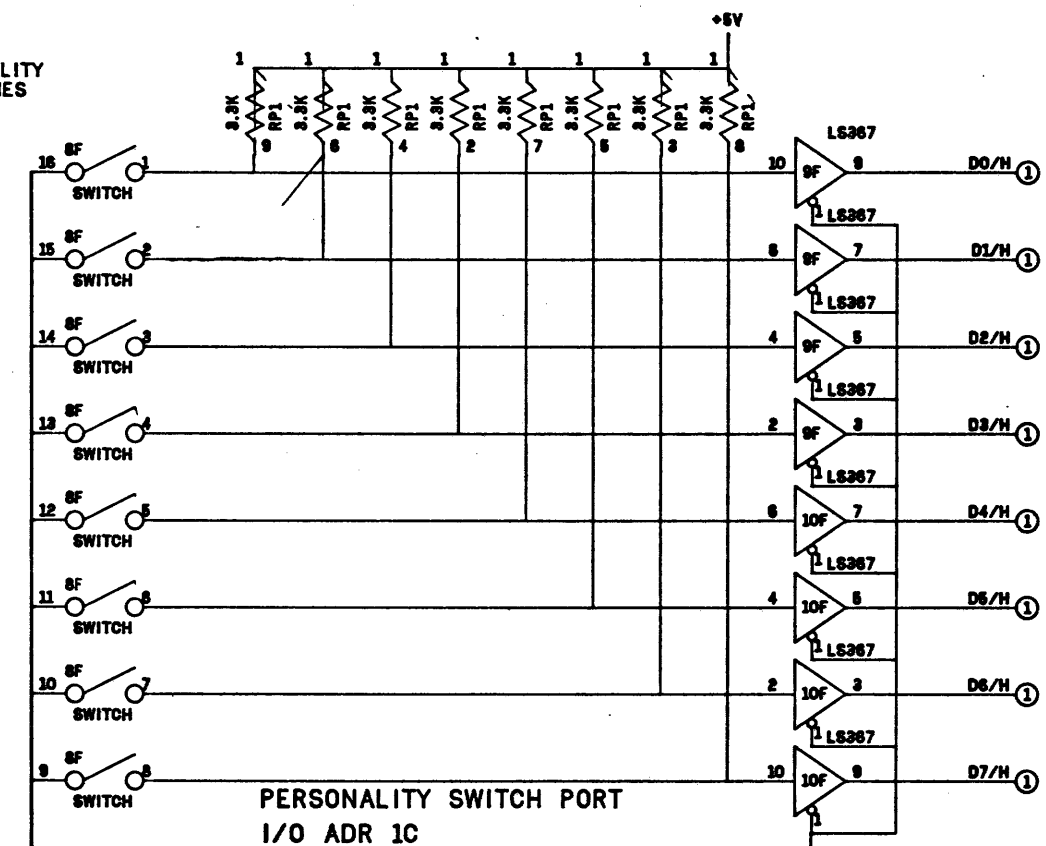
THIS DRAWING CONTAINS INFORMATION PROPRIETARY TO COMPUTATION CORPORATION AND IS NOT TO BE USED OR REPRODUCED WITHOUT PERMISSION OF COMPUTATION CORPORATION		TELEPHONE			
DATE:		REV. #		REV. DESCRIPTION	
PART NUMBER		REV. #		DATE	
DA14E650		1		0-29	
COMPUTATION CORP.		DATE		TITLE	
BEDFORD, MASS. 01730		DATE		P.C.U.	
		DATE		SCHEMATIC DIAGRAM	
		DATE		DRAW NO.	
		DATE		DS14E652	
		DATE		SHT 4 OF 16	
		DATE		SHTS	



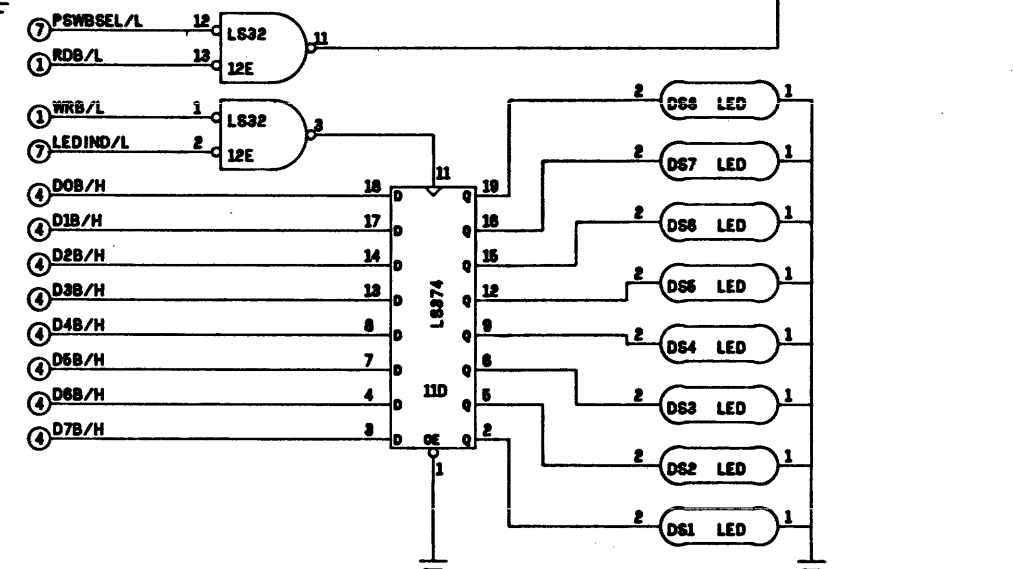
INTERRUPT VECTOR GENERATOR

THIS DRAWING CONTAINS INFORMATION PROPRIETARY TO COMPUTERVISION CORPORATION AND IS NOT TO BE USED OR REPRODUCED WITHOUT PERMISSION OF COMPUTERVISION CORPORATION.		REVISIONS	
DATE	BY	NO.	DESCRIPTION
PART NUMBER: DA14E650		QUANTITY: 1	UNIT PRICE: \$1.00
COMPUTERVISION CORP.		TITLE: P.C.U. SCHEMATIC DIAGRAM	
100 BEDFORD ROAD, BEDFORD, MASS. 01730		DRAWN: DATE: DS14E652	
		SHEET 5 OF 18	

PERSONALITY SWITCHES

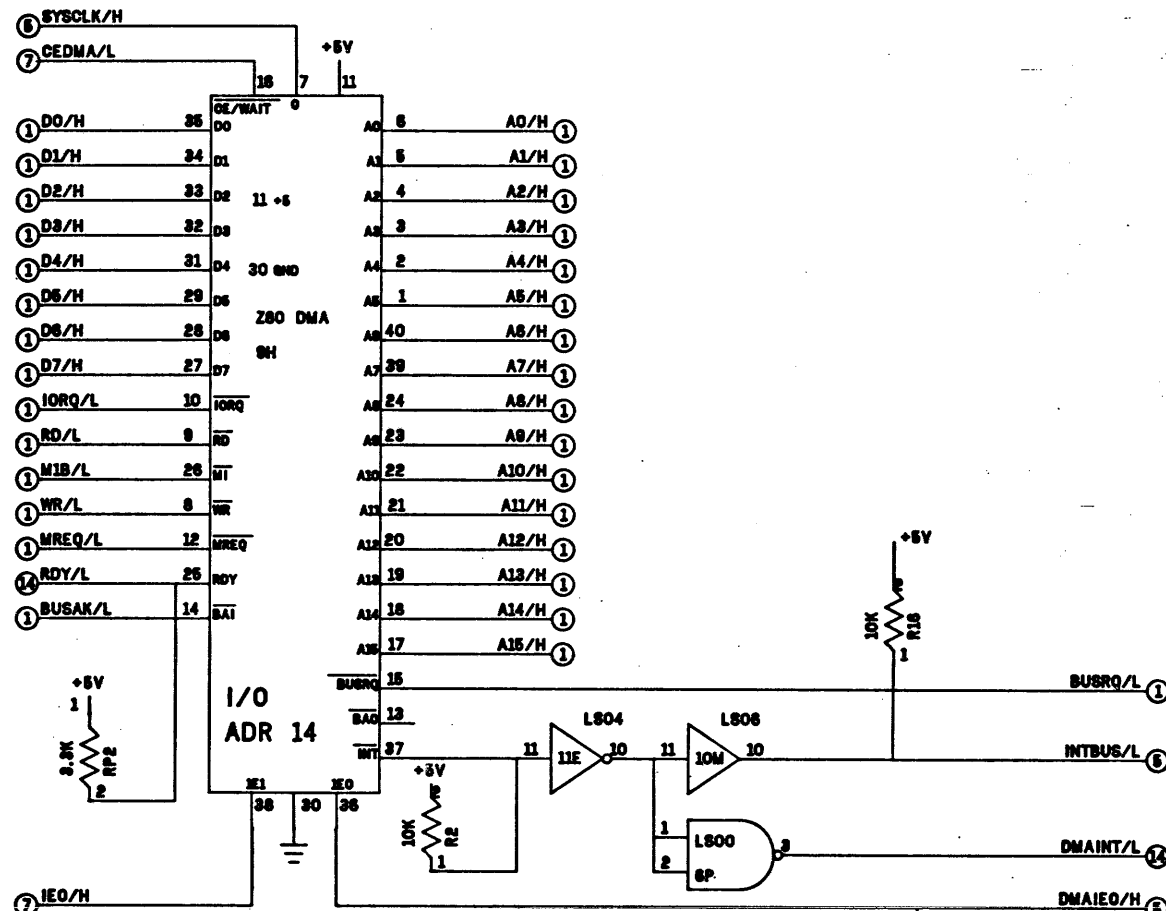


PERSONALITY SWITCH PORT I/O ADR 1C

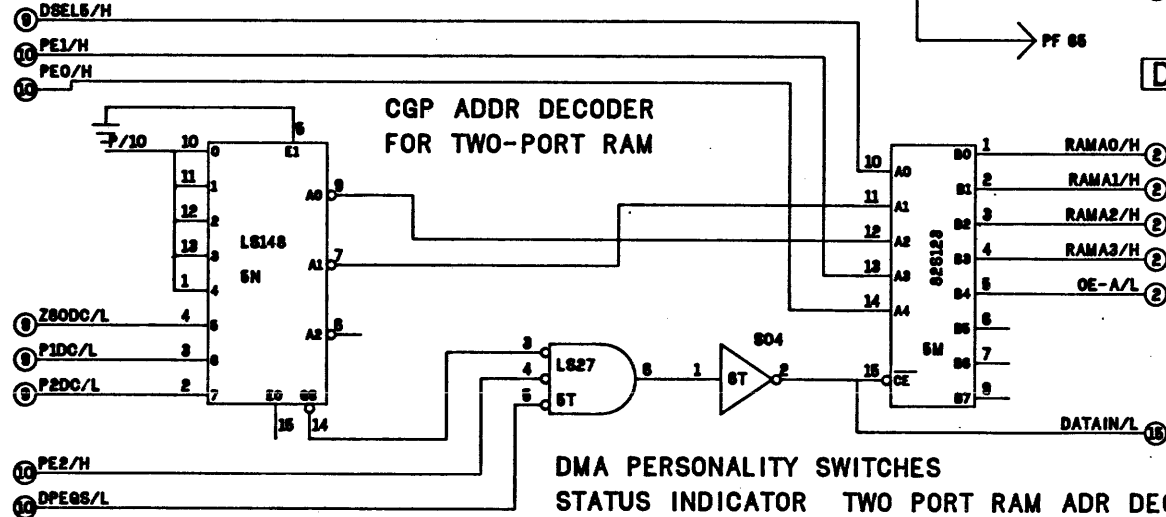


LED PORT I/O ADR 18

NOTE: LEDs MUST BE LOCATED NEAR STIFFENER AND BE VISIBLE



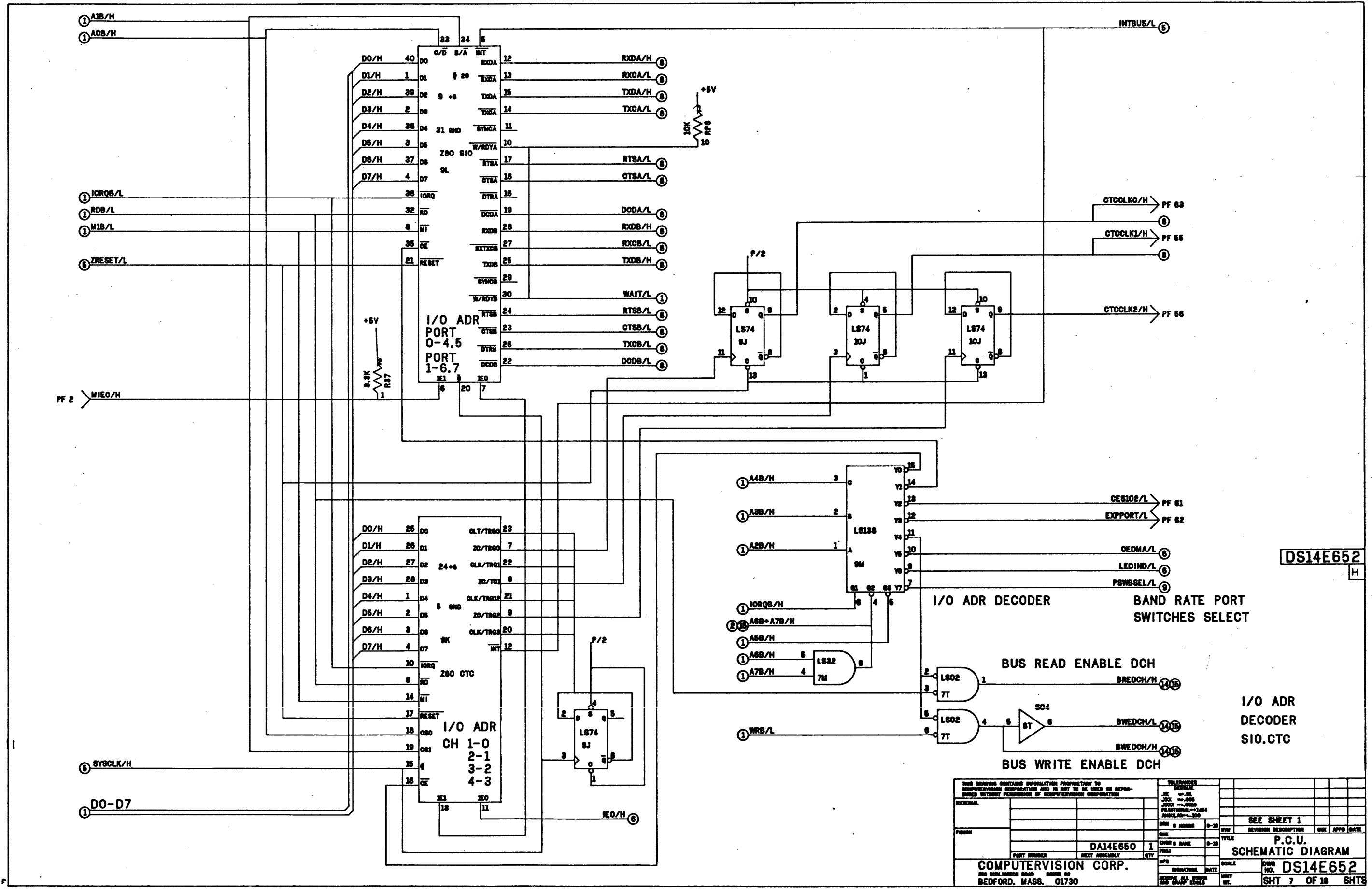
CGP ADDR DECODER FOR TWO-PORT RAM



DMA PERSONALITY SWITCHES STATUS INDICATOR TWO PORT RAM ADR DECODER

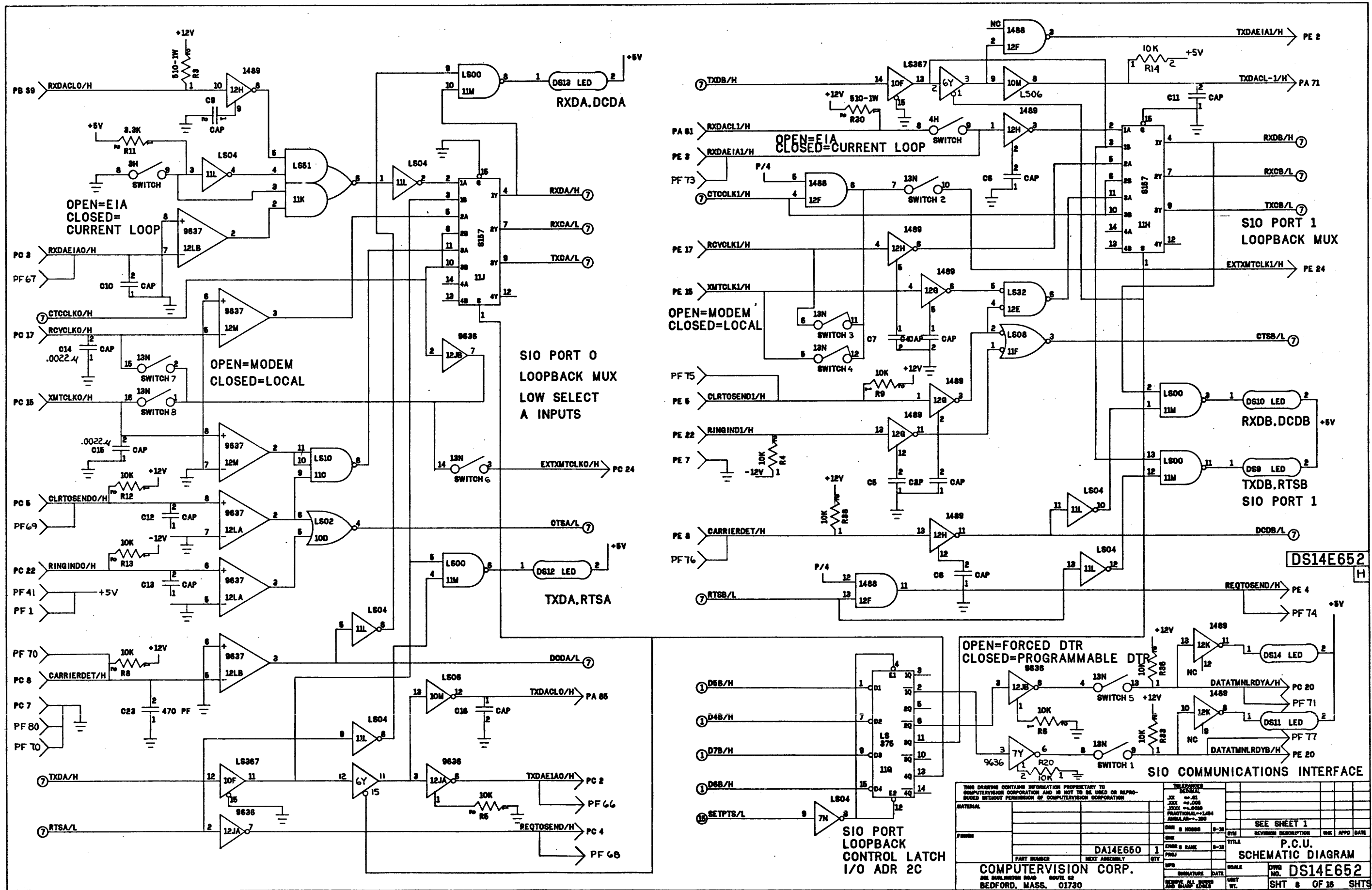
DS14E652 H

THIS DRAWING CONTAINS INFORMATION PROPRIETARY TO COMPUTERVISION CORPORATION AND IS NOT TO BE USED OR REPRODUCED WITHOUT PERMISSION OF COMPUTERVISION CORPORATION		TOLERANCES UNLESS SPECIFIED	
DRAWN BY: J. J. JONES		DATE: 08-28-88	
CHECKED BY: J. J. JONES		DATE: 08-28-88	
PART NUMBER: DA14E650		REV: 1	
COMPUTERVISION CORP.		SCALE: 1:1	
BEDFORD, MASS. 01730		DWN NO: DS14E652	
SEE SHEET 1		P.C.U. SCHEMATIC DIAGRAM	
SHT 6 OF 16 SHTS		SHT 6 OF 16 SHTS	



DS14E652
H

THIS DRAWING CONTAINS INFORMATION PROPRIETARY TO COMPUTERVISION CORPORATION AND IS NOT TO BE USED OR REPRODUCED WITHOUT PERMISSION OF COMPUTERVISION CORPORATION.		UNLESS OTHERWISE SPECIFIED	
DRAWN BY: _____		DATE: _____	
CHECKED BY: _____		DATE: _____	
DESIGNED BY: _____		DATE: _____	
PART NUMBER: _____		REV: _____	
NEXT ASSEMBLY: _____		REV: _____	
COMPUTERVISION CORP.		SCALE: _____	
200 BUCKLEBOURNE ROAD		DRAWING NO. DS14E652	
BEDFORD, MASS. 01730		SHT 7 OF 10 SHTS	

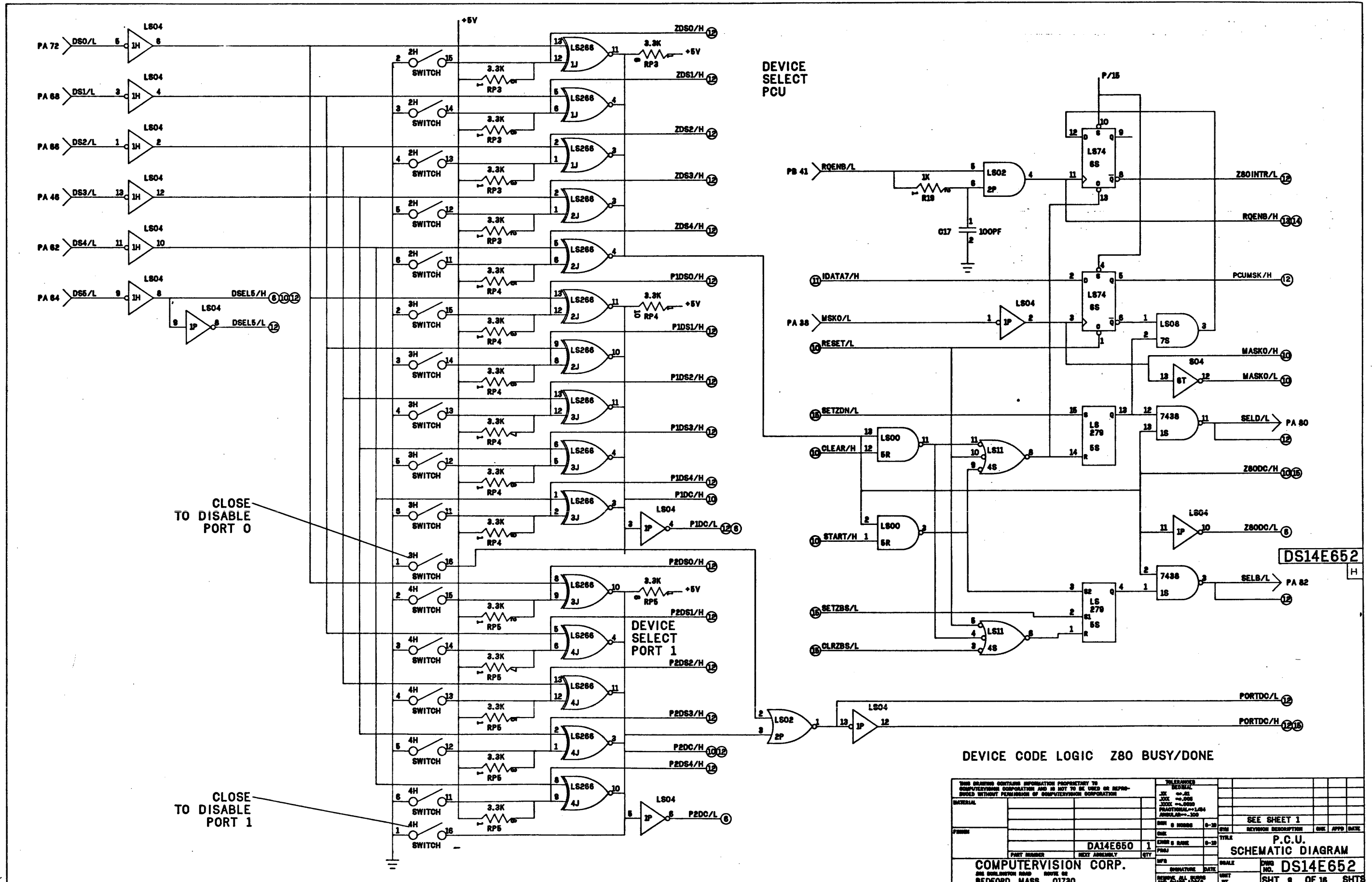


THIS DRAWING CONTAINS INFORMATION PROPRIETARY TO COMPUTERVISION CORPORATION AND IS NOT TO BE USED OR REPRODUCED WITHOUT PERMISSION OF COMPUTERVISION CORPORATION.

MATERIAL	REVISED	DATE	BY
FRONT	001	0-78	...
PART NUMBER	DA14E650	1	
QUANTITY			

COMPUTERVISION CORP.
300 DUNSTON ROAD, SUITE 50
BEDFORD, MASS. 01730

TITLE	P.C.U. SCHEMATIC DIAGRAM
SCALE	DWG NO. DS14E652
SHEET NO.	SHT 8 OF 18 SHTS

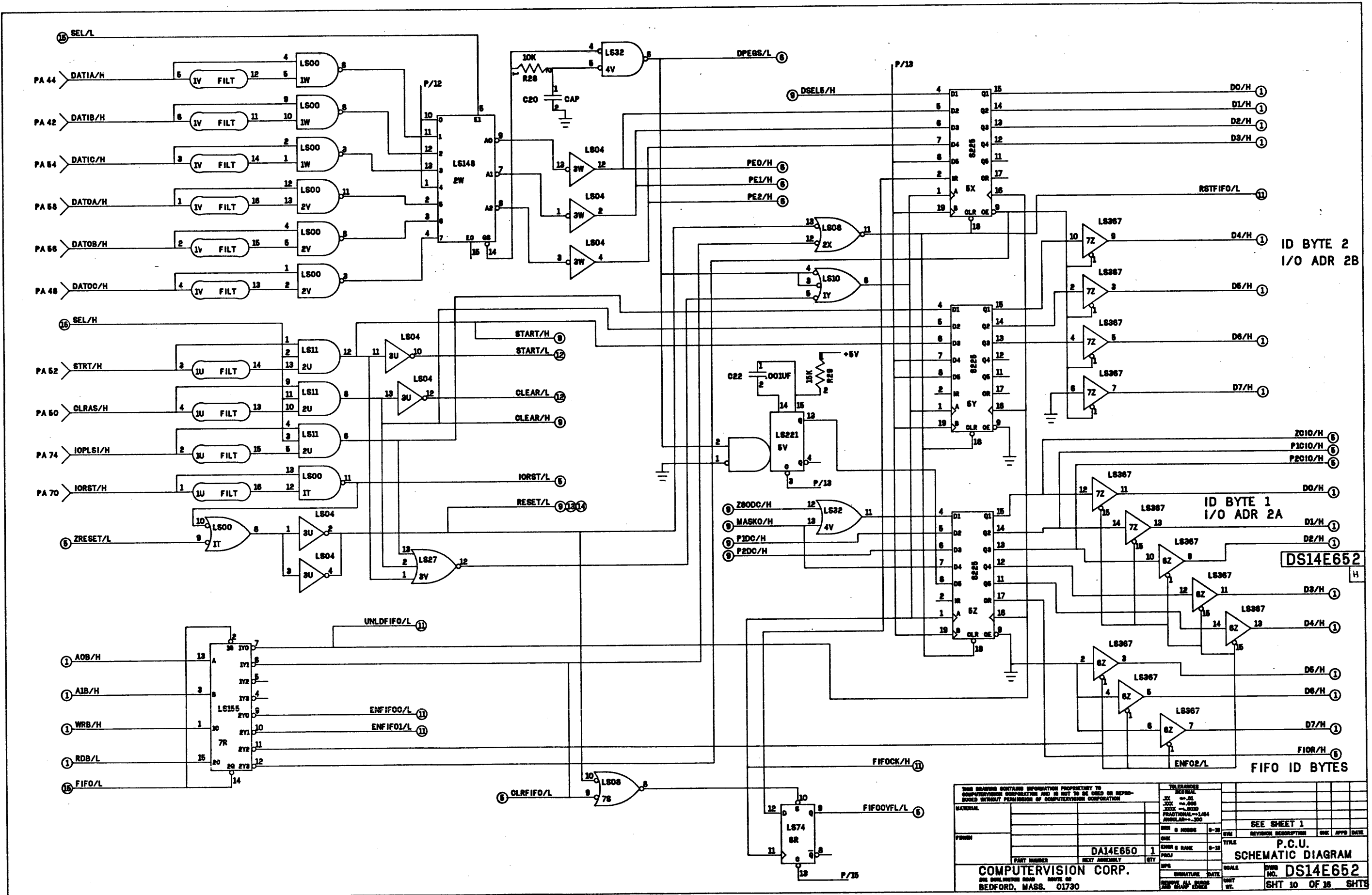


CLOSE TO DISABLE PORT 0

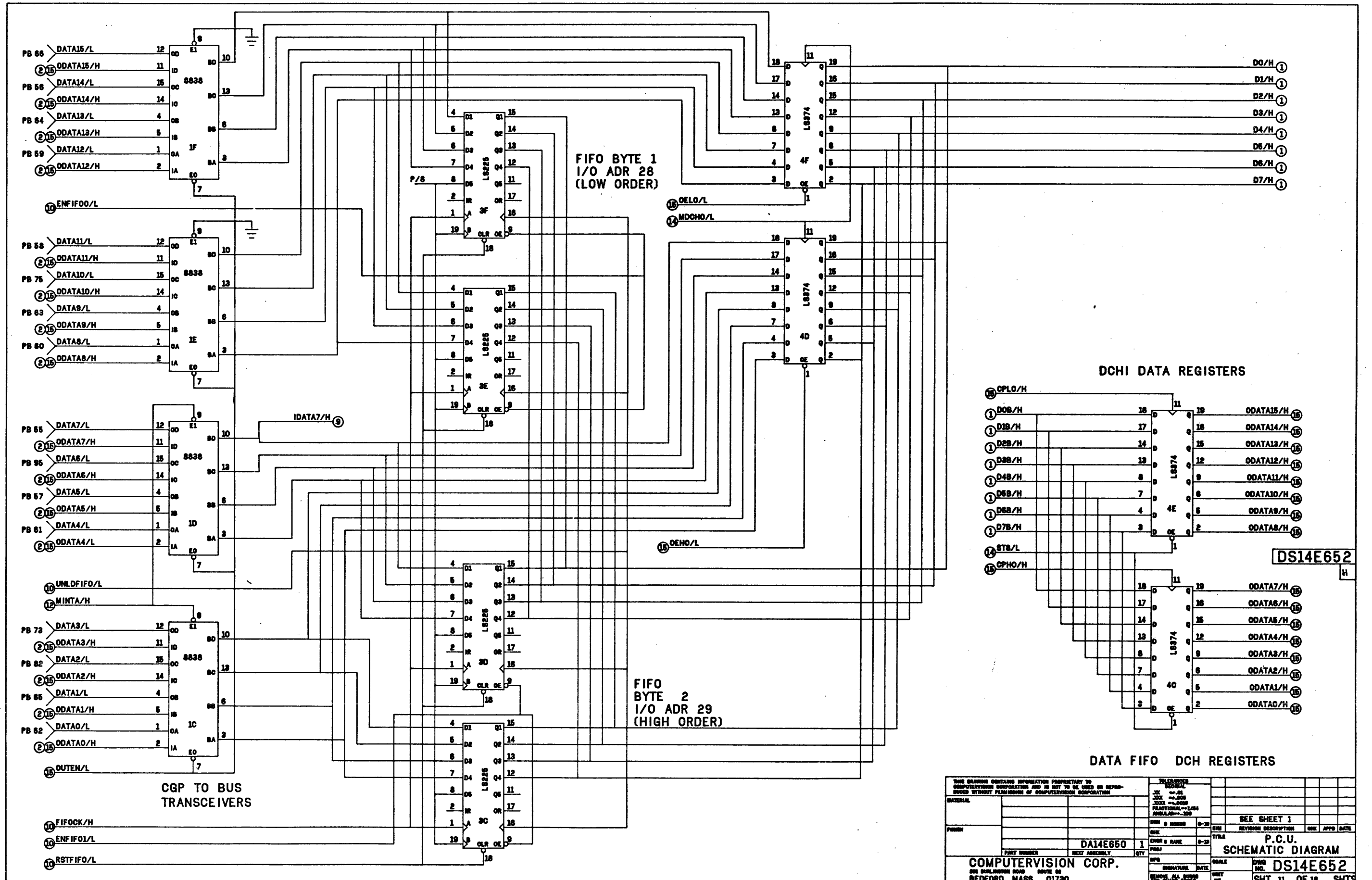
CLOSE TO DISABLE PORT 1

DEVICE CODE LOGIC Z80 BUSY/DONE

<small>THIS DRAWING CONTAINS INFORMATION PROPRIETARY TO COMPUTERSYSTEM CORPORATION AND IS NOT TO BE USED OR REPRODUCED WITHOUT PERMISSION OF COMPUTERSYSTEM CORPORATION</small>			<small>TELEPHONE: 617-351-1200 FAX: 617-351-1201 MAILING: 3500 MASSACHUSETTS AVE., BEDFORD, MASS. 01730</small>		
MATERIAL			REV. 8	ISSUE	0-20
PRG			ENGR. 8	ISSUE	0-20
			PRGJ		
PART NUMBER		DA14E650	QTY		
COMPUTERSYSTEM CORP.					
<small>350 MASSACHUSETTS AVE. BEDFORD, MASS. 01730</small>					
DATE			DWG. NO.	DS14E652	
<small>REWORK ALL SYMBOLS AND LEADS</small>			UNIT	SHT 9 OF 16 SHTS	

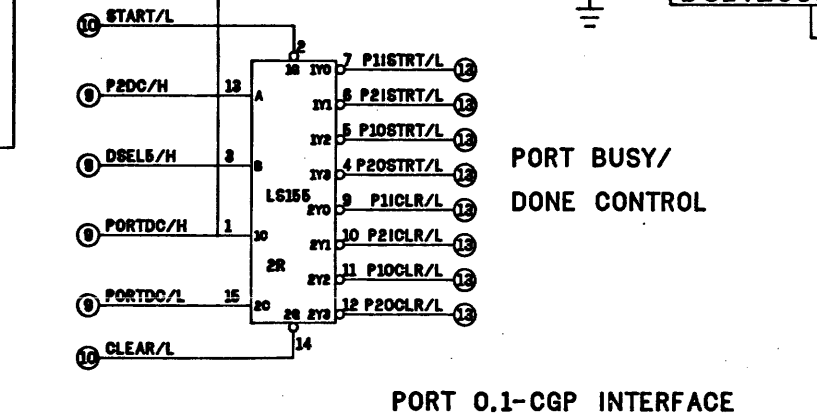
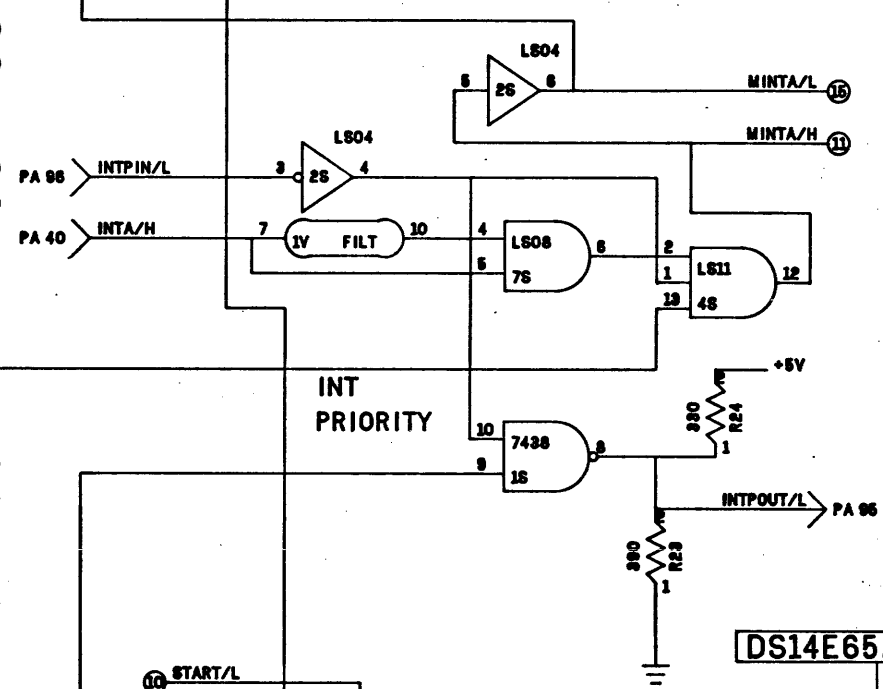
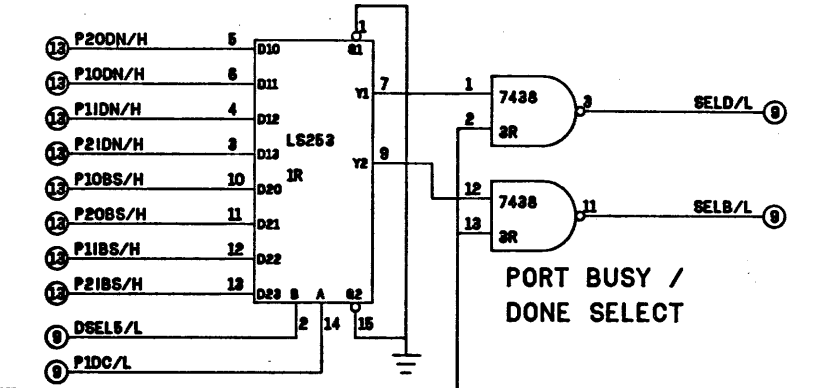
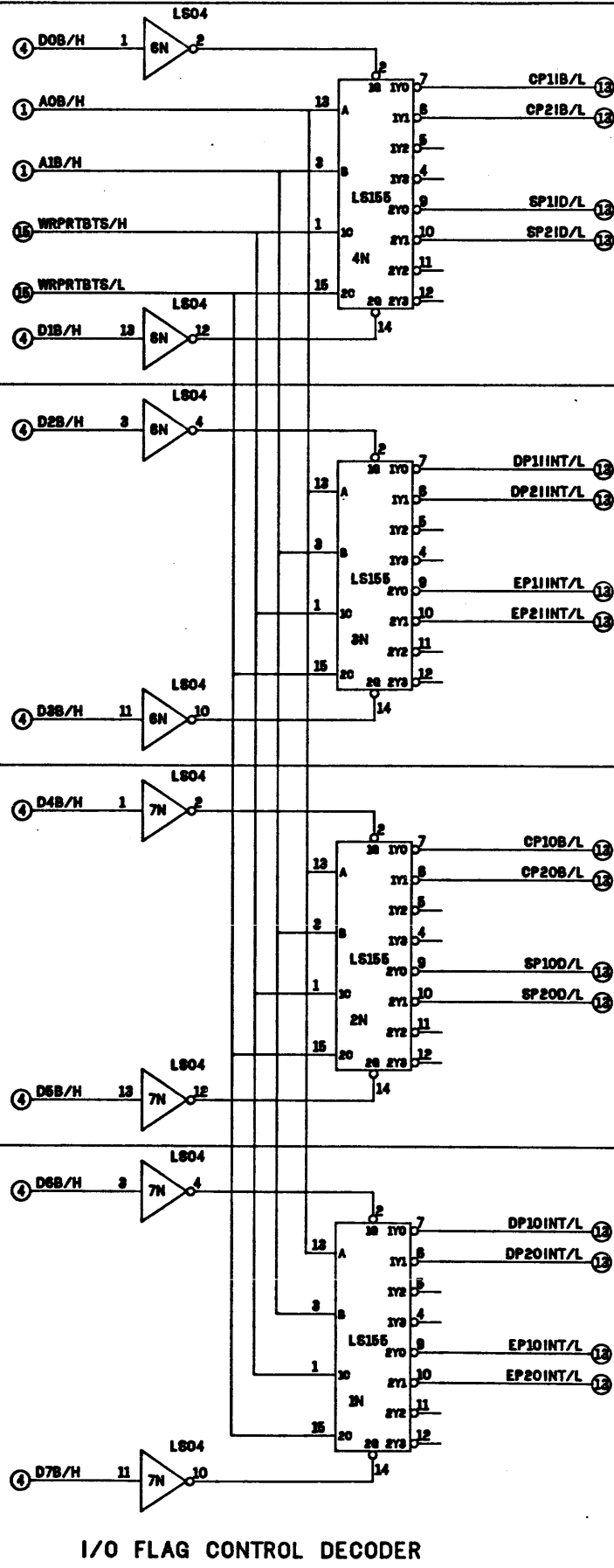
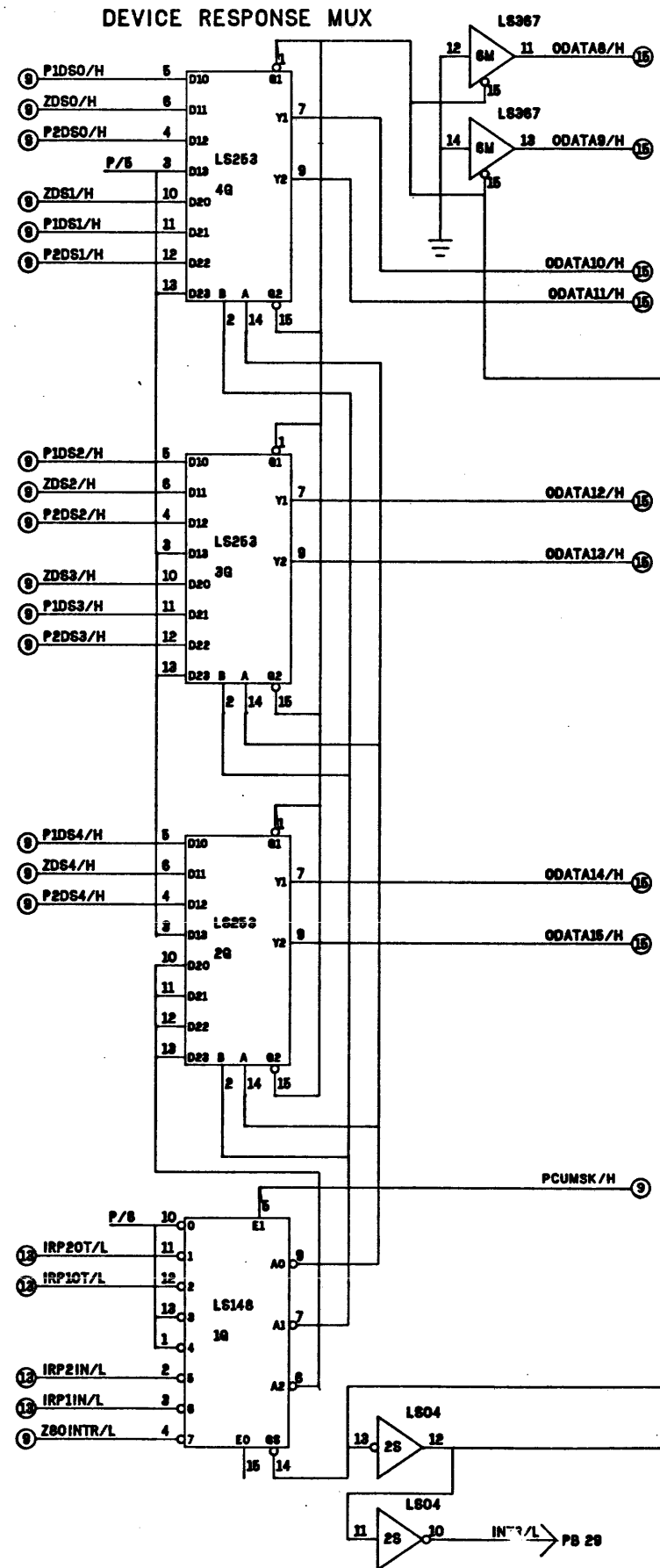


THIS DRAWING CONTAINS INFORMATION PROPRIETARY TO COMPUTERVISION CORPORATION AND IS NOT TO BE REPRODUCED WITHOUT PERMISSION OF COMPUTERVISION CORPORATION		TELEPHONE: 603-885-8000	
MATERIAL:		REV: 01	
FORM:		DATE: 01-20	
PART NUMBER: DA14E650		QUANTITY: 1	
COMPUTERVISION CORP.		SCALE: 1:1	
200 DUNLAPTON ROAD		SHEET NO.: DS14E652	
BEDFORD, MASS. 01730		SHEET 10 OF 18	



THIS DRAWING CONTAINS INFORMATION PROPRIETARY TO COMPUTERVERSION CORPORATION AND IS NOT TO BE USED OR REPRODUCED WITHOUT PERMISSION OF COMPUTERVERSION CORPORATION		RELEASED SERIAL			
DATE: 01-21-81		REV: 00000			
DRAWN BY: JCC		CHECKED BY: JCC			
PART NUMBER: DA14E652		REV: 00000			
QUANTITY: 1		DATE: 0-20		SEE SHEET 1	
COMPUTERVERSION CORP.		SIGNATURE: [Signature]		TITLE: P.C.U. SCHEMATIC DIAGRAM	
BEDFORD, MASS. 01730		DATE: 0-20		P.C.U. DS14E652	
		SHT 11 OF 16		SHTS	

DEVICE RESPONSE MUX



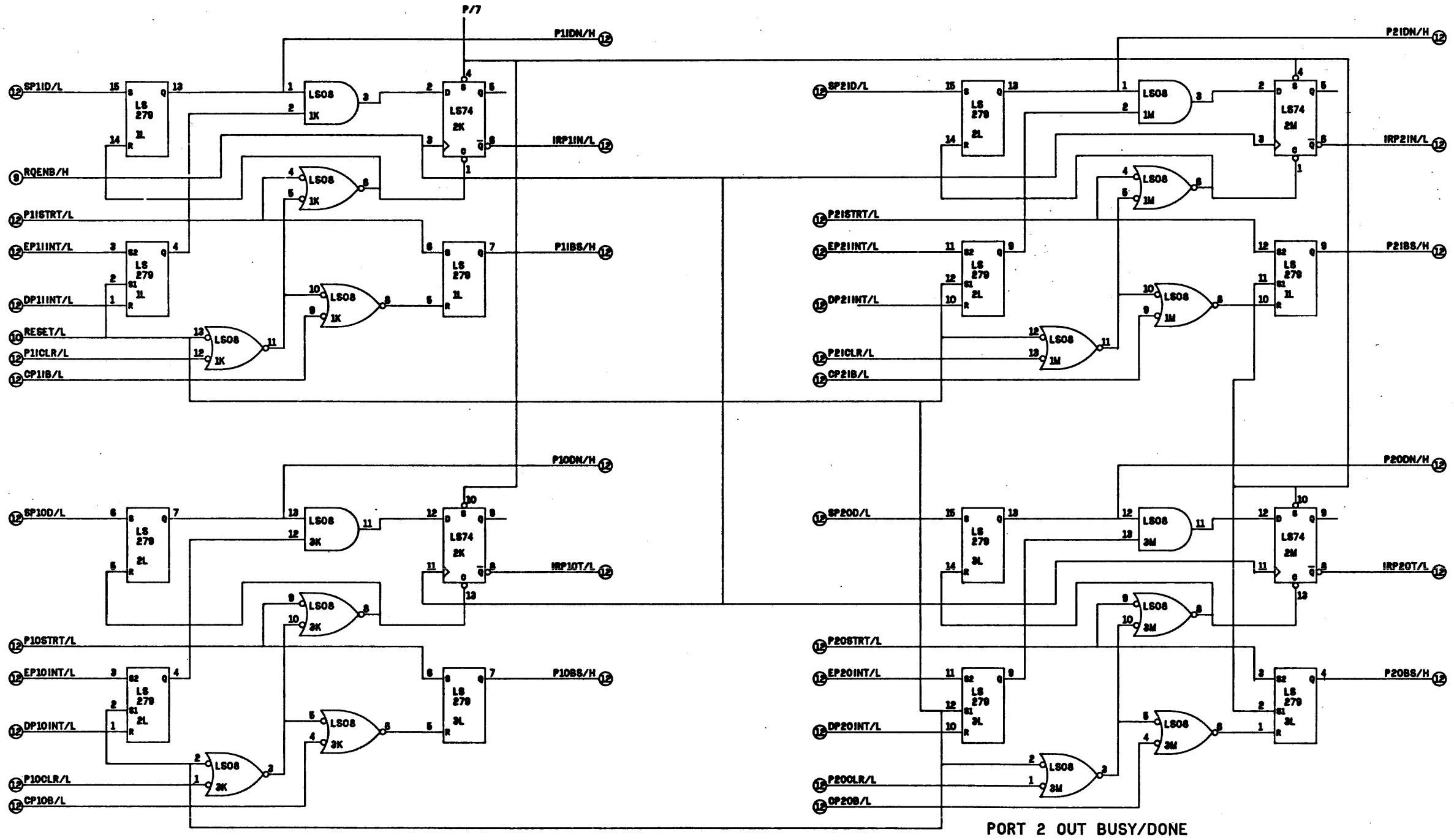
I/O FLAG CONTROL DECODER

PORT 0.1-CGP INTERFACE

THIS DRAWING CONTAINS INFORMATION PROPRIETARY TO COMPUTATION CORPORATION AND IS NOT TO BE REPRODUCED WITHOUT PERMISSION OF COMPUTATION CORPORATION		REVISION	DATE	BY	CHK
MATERIAL					
FORM					
PART NUMBER		DA14E650	1		
COMPUTATION CORP.		SCHEMATIC DIAGRAM		DS14E652	
200 DAVENANT ROAD BEDFORD, MASS. 01730		SHEET 12 OF 16		SHTS	

PORT 0 IN BUSY/DONE

PORT 1 IN BUSY/DONE



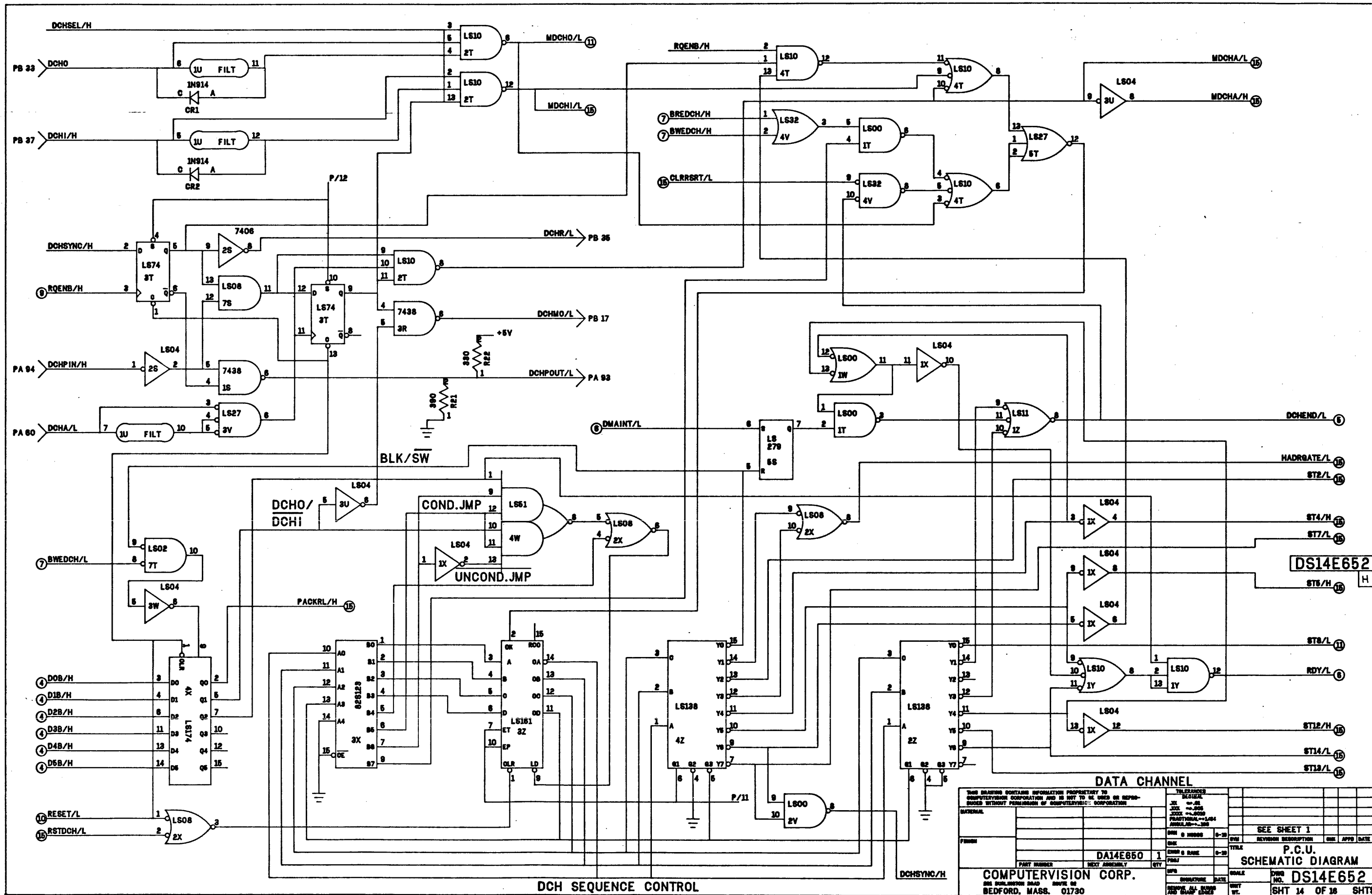
DS14E652

H

PORT 0 OUT BUSY/DONE

PORT 0-1 BUSY/DONE

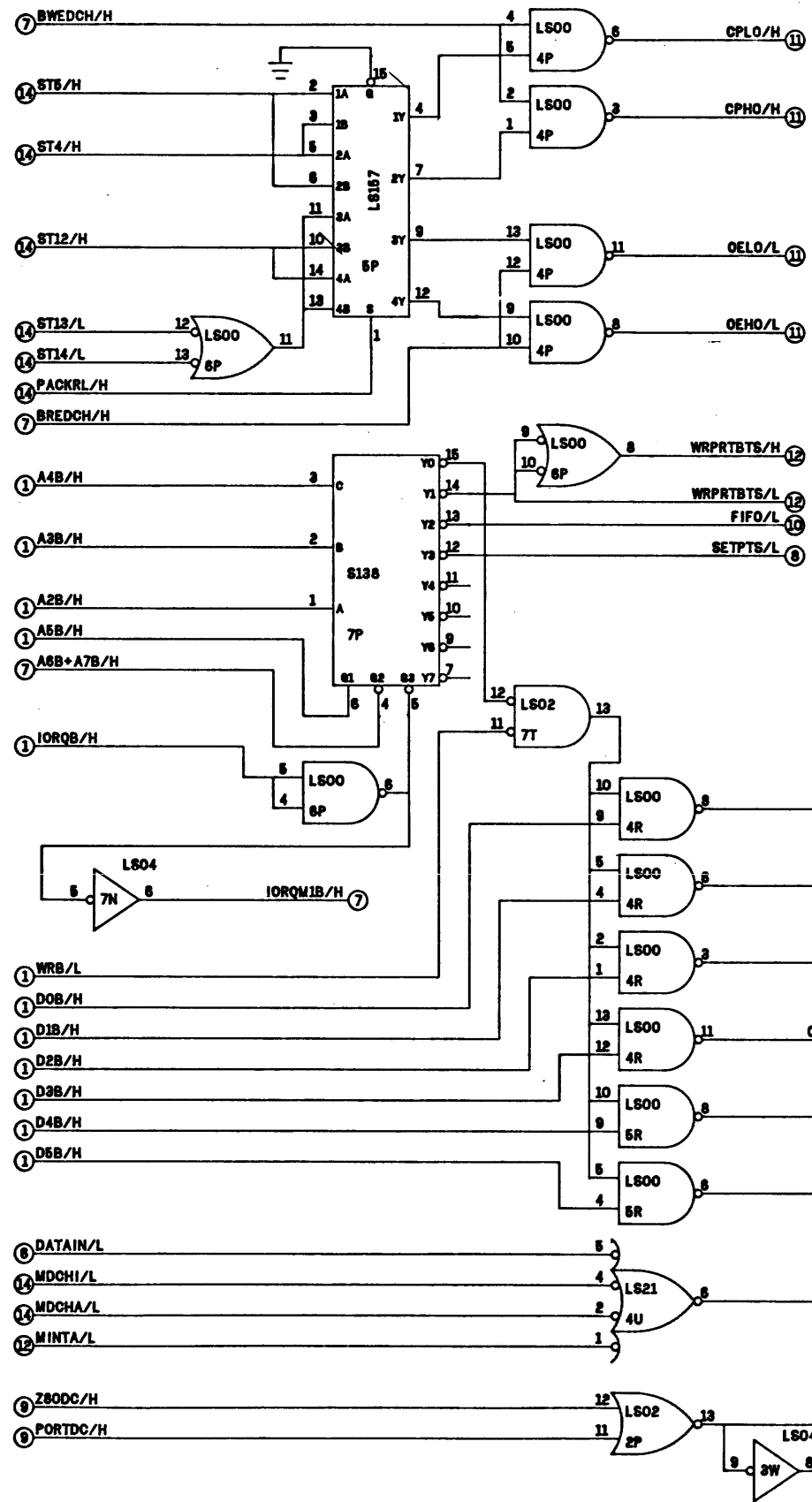
THIS DRAWING CONTAINS INFORMATION PROPRIETARY TO COMPUTERVISION CORPORATION AND IS NOT TO BE USED OR REPRODUCED WITHOUT PERMISSION OF COMPUTERVISION CORPORATION		TELEPHONE: 603-883-8800		FAX: 603-883-8801	
ADDRESS: 100 SOUTH MAIN STREET, BEDFORD, MASSACHUSETTS 01730		DATE: 08-29-90		REVISED: 08-29-90	
PART NUMBER: DA14E650		QUANTITY: 1		TITLE: P.C.U. SCHEMATIC DIAGRAM	
COMPUTERVISION CORP.		DRAWN BY: [Signature]		DATE: 08-29-90	
BEDFORD, MASS. 01730		CHECKED BY: [Signature]		DATE: 08-29-90	
		SCALE: 1:1		SHEET NO. 13 OF 18	
		SHEET NO. 13 OF 18		SHTS	



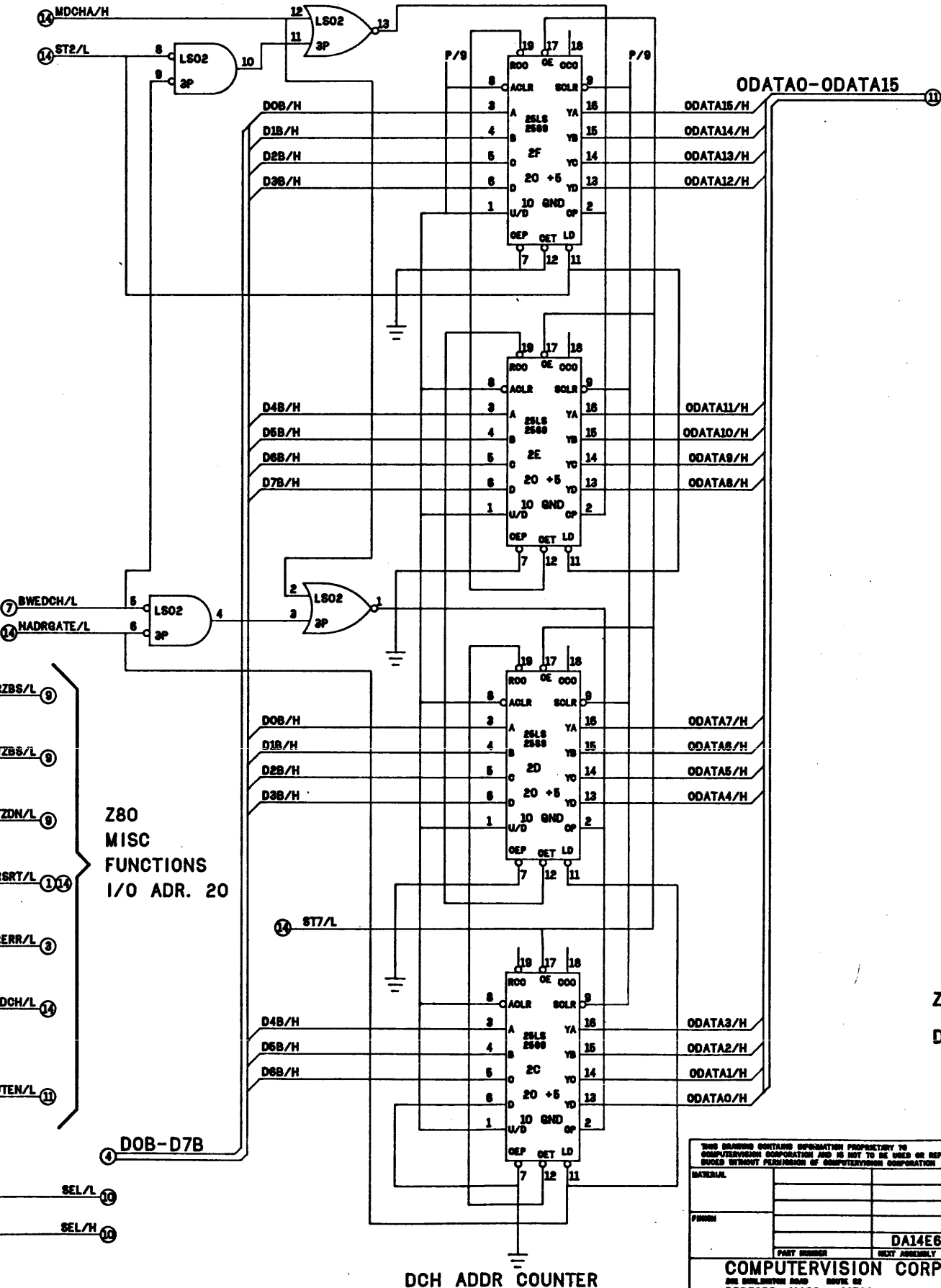
REVISION		DATE		BY		CHKD	
PART NUMBER				QTY			
DA14E650				1			
NEXT ASSEMBLY							
REV							
REV 0				0-20			
REV 1				0-20			
REV 2							
REV 3							
REV 4							
REV 5							
REV 6							
REV 7							
REV 8							
REV 9							
REV 10							
REV 11							
REV 12							
REV 13							
REV 14							
REV 15							
REV 16							
REV 17							
REV 18							
REV 19							
REV 20							

THIS DRAWING CONTAINS INFORMATION PROPRIETARY TO COMPUTERVISION CORPORATION AND IS NOT TO BE USED OR REPRODUCED WITHOUT PERMISSION OF COMPUTERVISION CORPORATION.
 SCALE: 1:1
 DWG NO. DS14E652
 SHT 14 OF 18 SHTS
 COMPUTERVISION CORP.
 200 WASHINGTON ROAD, SUITE 200, BEDFORD, MASS. 01730

BYTE PACKING DIRECTION CONTROL



Z80 MISC FUNCTIONS I/O ADR. 20

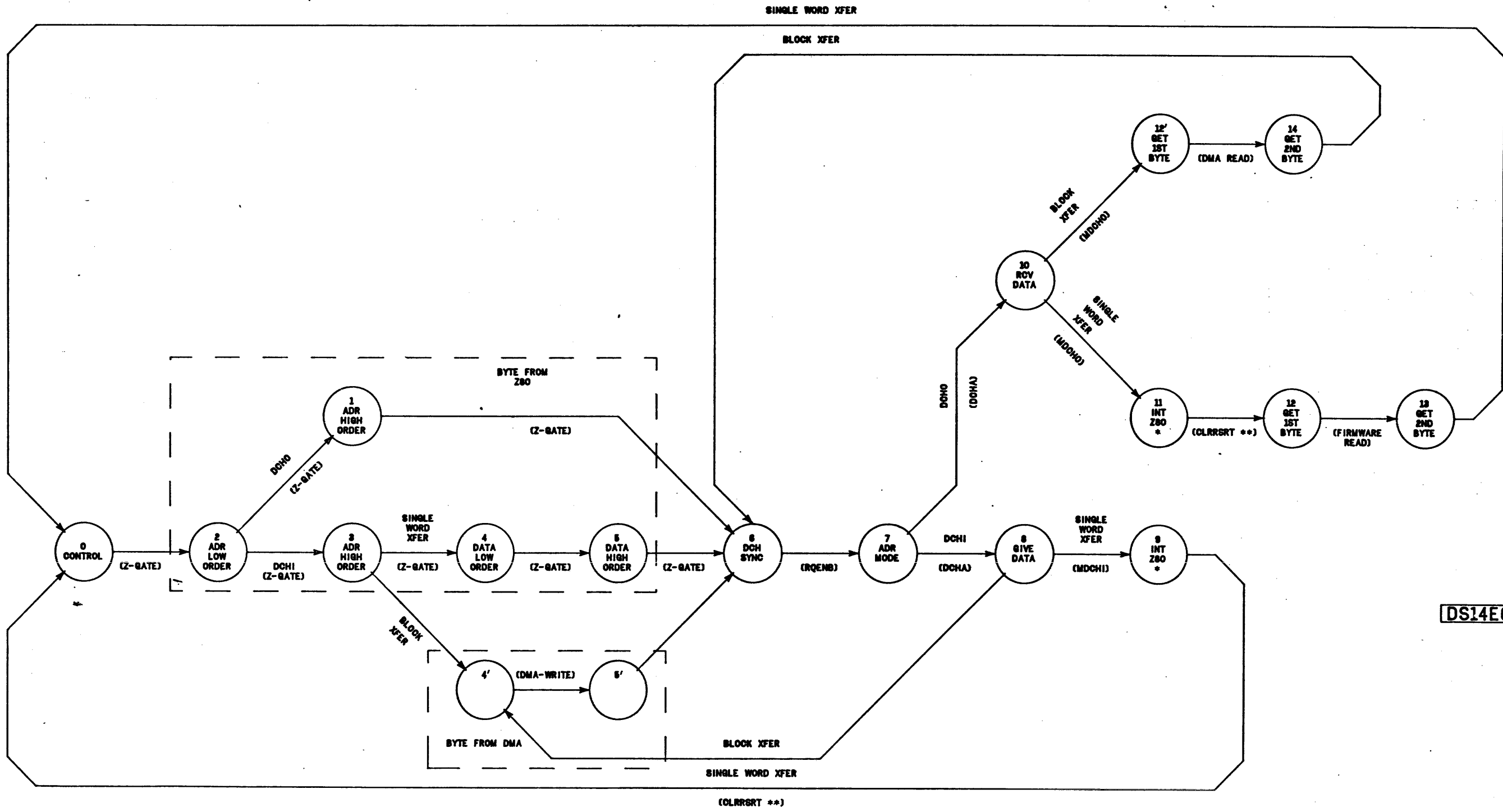


DCH ADDR COUNTER

DS14E652
H

Z80 MISC FUNCTIONS
DCH ADDER COUNTER

THIS DRAWING CONTAINS INFORMATION PROPRIETARY TO COMPUTERVISION CORPORATION AND IS NOT TO BE USED OR REPRODUCED WITHOUT PERMISSION OF COMPUTERVISION CORPORATION				REVISED	DATE	BY	APP'D
MATERIAL				REV 1	0-10	JK	JK
				REV 2	0-10	JK	JK
PART NO.				REV 3	0-10	JK	JK
				REV 4	0-10	JK	JK
PART NUMBER				DA14E650	1	REV 5	0-10
NEXT ASSEMBLY						REV 6	0-10
COMPUTERVISION CORP.				P.C.U. SCHEMATIC DIAGRAM			
300 BURLINGTON ROAD				DRAWN			
BEDFORD, MASS. 01730				DATE			
				CHK'D			
				DATE			
				REV			
				NO.			
				SHT			
				OF			
				SHTS			



DS14E652
H

* DCHEND INT
 ** CLEARS DCH INT
 SIGNALS IN PARENTHESES
 CAUSE THE STATES TO
 ADVANCE.

DATA CHANNEL CONTROLLER STATE DIAGRAM

THIS DRAWING CONTAINS INFORMATION PROPRIETARY TO COMPUTERSHOP CORPORATION AND IS NOT TO BE USED OR REPRODUCED WITHOUT PERMISSION OF COMPUTERSHOP CORPORATION		TELEPHONE NO. 617-271-1111	
DATE: 01-15-80		REV. 0: 0-10	
PART NUMBER: DA14E650		REV. 0: 0-10	
QUANTITY: 1		REV. 0: 0-10	
COMPUTERSHOP CORP. 200 BEDFORD ROAD BEDFORD, MASS. 01730		TITLE: P.C.U. SCHEMATIC DIAGRAM DWR NO. DS14E652 SHT 18 OF 18 SHTS	

REMARKS FORM

Your comments and suggestions will help us in our continuous effort to improve the quality and usefulness of our publications. All comments and suggestions become the property of Computervision.

TITLE: _____

Order No.: _____

TECHNICAL or EDITORIAL ERRORS (include page number):

SUGGESTIONS FOR IMPROVEMENT:

FROM:
(Please print)

NAME: _____ DATE _____

TITLE: _____

COMPANY NAME _____

ADDRESS _____

CITY _____ STATE _____ ZIP _____

Please cut along this line

(

.

.

(

(

(

.

.

(