

Series 16
HARDWARE
DOCUMENTATION

DDP-516
General Purpose Computer
Volume II

INSTRUCTION MANUAL

This manual contains the detailed analyses and flow charts for all DDP-516 instructions.

DOC.NO. 130071621 ■ ORDER NO. M-967 ■ SEPT . 1966

Honeywell

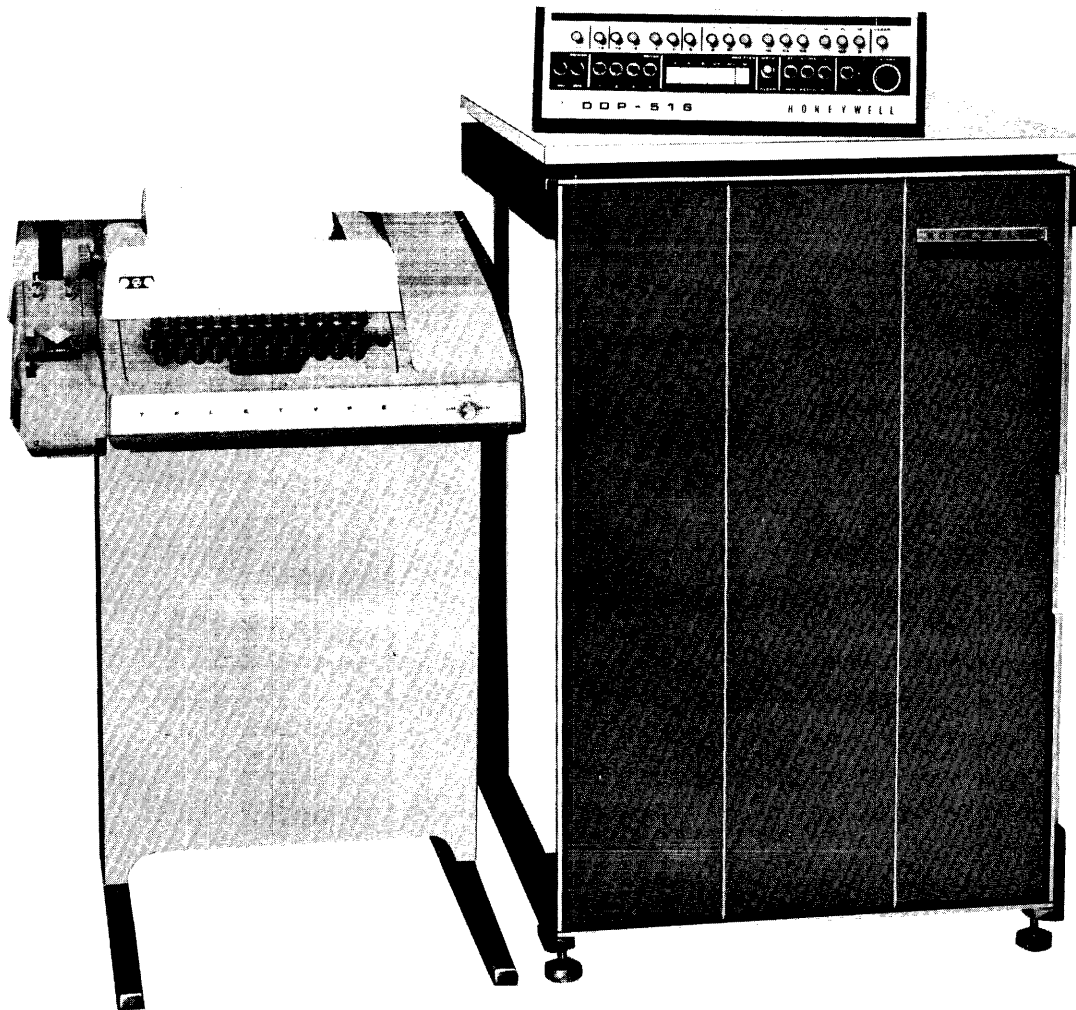
COPYRIGHT © 1966, HONEYWELL INC.
COPYRIGHT © 1970, HONEYWELL INFORMATION SYSTEMS INC.

The information contained herein is the exclusive property of Honeywell Information Systems Inc., except as otherwise indicated, and shall not be disclosed or reproduced, in whole or in part, without explicit written authorization from the company. The distribution of this material outside the company may occur only as authorized.

Publications Department, Field Engineering Division, Newton, MA 02161

Printed in the United States of America
All rights reserved

DDP-516 GENERAL PURPOSE COMPUTER



3615

DDP-516 General Purpose Computer

CONTENTS

VOLUME II

	<u>Page</u>
Chapter I Introduction	1-1
Signal Mnemonics	1-2
Table 1-1 Symbols and Definitions	1-2
Table 1-2 Function Index	1-3
Chapter II Flow Charts/Instruction Analyses	2-1
F-Cycle	2-4
I-Cycle	2-6
<u>Memory Reference</u>	
ADD - Add	2-8
ANA - Logical AND	2-10
CAS - Compare	2-12
ERA - Exclusive OR	2-14
IMA - Interchange Memory and A	2-16
IRS - Increment, Replace, and Skip	2-18
JMP - Unconditional Jump	2-20
JST - Jump and Store Location	2-22
LDA - Load A	2-24
LDX - Load Index Register	2-26
STA - Store A	2-28
STX - Store Index Register	2-30
SUB - Subtract	2-32
<u>Generic</u>	
ACA - Add C to A	2-34
AOA - Add ONE to A	2-36
CAL - Clear Left Half	2-38
CAR - Clear Right Half	2-40
CAS - Complement A Sign	2-42
CMA - Complement A	2-44
CRA - Clear A-Register	2-46
CSA - Copy Sign and Set Sign Plus	2-48
ENB - Enable Program Interrupt	2-50
HLT - Halt	2-52
IAB - Interchange A and B	2-54
ICA - Interchange Halves	2-56
ICL - Interchange and Clear Left Half	2-58

CONTENTS (Cont)

	<u>Page</u>
ICR - Interchange and Clear Right Half	2-60
INH - Inhibit Program Interrupt	2-62
INK - Input Keys	2-64
NOP - No Operation	2-66
OTK - Output Keys	2-68
RCB - Rese C to ZERO	2-70
SCB - Set C to ONE	2-72
COMMON SKIP	2-74
SSM - Set Sign Minus	2-76
SSP - Set Sign Plus	2-78
TCA - Two's Complement A	2-80
 <u>Input-Output</u>	
INA - Input to A	2-82
OCP - Output Control Pulse	2-84
OTA/SMK - Output from A/Set Mask	2-86
SKS - Skip if Sense Line Set	2-88
 <u>Shift</u>	
COMMON SHIFT ENTRY	2-90
ALR - Left Logical Rotate	2-90
ALS - Arithmetic Left Shift	2-92
ARR - Logical Right Rotate	2-94
ARS - Arithmetic Right Shift	2-96
LGL - Logical Left Shift	2-98
LGR - Logical Right Shift	2-100
LLL - Long Left Logical Shift	2-102
LLR - Long Left Rotate	2-104
LLS - Long Arithmetic Left Shift	2-106
LRL - Long Right Logical Shift	2-108
LRR - Long Right Rotate	2-110
LRS - Long Arithmetic Right Shift	2-112
COMMON SHIFT EXIT	2-113
 Table 2-1 Generating OPGJS+ for Specific Skip Instructions	 2-75

SECTION I INTRODUCTION

This volume contains flow charts and analyses of all DDP-516 instructions. Separate coverage is provided for the memory reference fetch cycle. The instructions are presented in groups (i. e., load and store, arithmetic, logical, etc.). For convenient reference, the mnemonic, number of cycles, and Op Code appear on each page. Symbols and abbreviations used in the flow charts are defined in Table 1-1. A function index is provided to be used as an aid in determining function sources and definitions, (Table 1-2).

Signal Mnemonics

The electrical characteristics of the computer circuits are called: passive (+6 vdc) and active (0 vdc). The logical functions are true (logic ONE) and false (logic ZERO). In general there are two ways of relating the electrical characteristic and logical function for each signal mnemonic:

- a. An assertion signal (for example, A01FF+) is logically true when it is at +6 vdc; and is logically false when it is at 0 vdc.
- b. A negation signal (for example, A01FF-) is logically true when it is at 0 vdc; and is logically false when it is at +6 vdc.

A particular signal mnemonic can be labeled assertion or negation arbitrarily. The signal mnemonic convention uses the sixth character to specify assertion or negation.

Table 1-1.
Symbols and Definitions

Symbol	Definition
\wedge or \cdot	Logical AND
\vee	Logical OR
∇ or \oplus	Exclusive OR
\rightarrow	Replaces
\leftrightarrow	Is exchanged with
\nrightarrow	Is discarded
()	Contents of a hardware register
[EA]	Contents of a core location specified by the effective operand address
A	A-register
ADB	Address bus
B	B-register
C	Carry flip-flop (CB1TF)
E	E-register
EA	Effective operand address; the address from which the operand will be obtained
F	Flag (indirect address indicator) or F-register
INB	Input bus
IW	Instruction word
M	M-register
N	Two's complement of number of shifts to be performed
OTB	Output bus
P	P-register
X	X-register

Table 1-2.
Function Index

Mnemonic	LBD No. (Signal Source)	Definition
0 <u>x</u> <u>x</u> PA	101-116-C5	Adder input OR gates (G & H), bits 1 through 16
0CPLS	134-K10	Output control pulse
0CPRC	147-F3	Output control pulse, real-time clock
0PG00	120-F1	Op group 00
0PG3C	120-F9	Op group for three cycle instructions (JST v IRS v CAS v IMA v LDX v DOUBLE PRECISION)
0PGAA	127-E9	Op group, A-cycle utilization of A-register.
0PGDP	124-F11	Op group, double precision arithmetic operation (ADD v SUB v LDA v STA)
0PGJS	129-J11	Op group, jump or skip (JMP v JST v IRS v (SKIP ENABLED))
0PGMD	123-B6	Op group, multiply or divide (MPY v DIV)
0PGNS	125-B11	Op group, negative sum. Control ENSHL/ ENSSL for subtractive process, (SUB v IRS v CASAM)
0PGSM	128-C10	Op group, sum to M-register control (STA v IMA v LDX v STX)
0PGWR	126-E6	Op group, write/read control (STA v IMA v LDX v STX v IRS v JST)
0TB <u>x</u> <u>x</u>	138-XX	Output bus, bits 1 through 16
0TPMA	240-H6	Output transfer pulse, DMA option
10GRP	120-K5	Op group, input/output group
10PLS	134-J9	Input/output pulse
1AD61	135-C3	Interrupt address 61 (RTC location 00061)
1AD63	135-C5	Interrupt address 63 (Standard interrupt location 00063)
1ADX <u>x</u>	135-C4	Interrupt address, location 00XX1 through 00XX7
1CYEF	119-G8	I-cycle early flip-flop. (Indirect address)
1CYLF	119-K7	I-cycle late flip-flop. (Indirect address)
1CYS1	263-E7	I-cycle and sector zero not selected
1G <u>x</u> <u>x</u> <u>x</u>	200-XX	Interrupt address greater than 063 or 067 or 077 or 107 or 117 or 127 or 137 (as applicable)
1MA0P	120-F5	IMA op code
1NB <u>x</u> <u>x</u>	101-116-D5	Input bus, bits 1 through 16
1NCSC	126-L3	Increment shift counter if not 00g
1ND <u>x</u> <u>x</u>	132-XX	Console indicator lamp drivers, bits 1 through 16

Table 1-2. (Cont)
Function Index

Mnemonic	LBD No. (Signal Source)	Definition
1NHPF	135-F11	Inhibit power failure interrupt
1NK0P	122-L8	INK op code
1NSTR	241-L2	Input strobe, DMA option.
1RS0P	120-K3	IRS op code
1YB <u>x</u> <u>x</u>	223-XX, 135-XX	Input-to-Y bus, bits 2 through 16. DMC option, and program interrupt
A <u>x</u> <u>x</u> FF	101-116-J5	A-register flip-flops, bits 1 through 16.
A00FF	124-L4	A00 flip-flop
A0QM1	124-J8	A00FF equals M01FF
A1QA2	126-B3	A01FF equals A02FF, normalize signal
ACKA <u>x</u>	241-B4	Acknowledge for DMA channel 1 through 4
ACKPF	135-B3	Acknowledge for power failure interrupt
ACKRC	135-B4	Acknowledge for real-time clock
ACT <u>x</u> <u>x</u>	244-XX	DMA address count bits 1 through 16
ACYEF	119-F4	A-cycle early flip-flop
ACYLF	119-L4	A-cycle late flip-flop
ACYNX	129-B1	A-cycle is next main frame cycle
ADB <u>x</u> <u>x</u>	138-XX	Address bus, bits 7 through 16
ADD0P	120-F2	ADD op code
ANA0P	120-F1	ANA (logical AND to A)op code
AZERO	126-L9	A-register equals zero, bits 1 through 16.
AZZZZ	125-L10	A general control flip-flop
B <u>x</u> <u>x</u> FF	101-116-J1	B-register flip-flop, bits 1 through 16.
BANK <u>x</u>	145-C2	Memory bank select A, B, C, or D
BR1CY	134-C7	BREAK and 1-cycle
BREAK	134-K1	BREAK flip-flop. Set by program interrupt, RTC, memory increment, or DMC operation, etc.
BRREQ	134-E1	BREAK request (sync-in to BREAK operation)
CAS0P	120-H4	CAS op code (compare A and SKIP)
CASAM	126-L4	A01FF equals M01FF in CAS instruction
CB1TF	124-L2	C-bit flip-flop (arithmetic overflow, etc.)
CHEN <u>x</u>	241-B9	Channel enable for DMA option (channels 1 through 4)
CHSL <u>x</u>	241-D3	Channel select for DMA option (channels 1 through 4)
CLA1L	130-H11	Clear A-register bit 1 (clock level)
CLAMP	141-J7	Clear A-register with manual pushbutton switch
CLATL	122-F7	Clear A-register, total (clock-level)
CLATR	122-H7	Clear A-register, total (clock-reset)

Table 1-2. (Cont)
Function Index

Mnemonics	LBD No. (Signal Source)	Definition
CLBMP	141-F7	Clear B-register with manual pushbutton switch
CLBTR	123-J7	Clear B-register, total (clock-reset)
CLCHS	241-J5	Clear DMA channel select flip-flops (clock-reset)
CLDTR	125-H5	Clear D-register to ONEs, total (clock-reset)
CLETR	125-H2	Clear E-register to ONEs, total (clock-reset)
CLFTL	125-H8	Clear F-register, total (clock-level)
CLLTR	241-L10	Clear L-register, DMA option, total (clock-reset)
CLMMP	141-B7	Clear M-register with manual pushbutton switch
CLMTR	128-K8	Clear M-register, total (clock-reset)
CLPIL	134-L2	Clear program interrupt and memory increment request lines
CLPMP	141-C7	Clear P- and Y-registers with manual push-button switch
CLPTR	129-J10	Clear P-register, total (clock-reset)
CLRDR	126-L1	Clear D-register when master clock oscillator has stopped
CLRF5	134-E7	Clear bit 5 of F-register on program interrupt
CLSEX	134-K5	Clear single execute, (program interrupt and memory increment) request flip-flops
CLSZR	262-H9	Clear sector zero relocation
CLXTR	128-F8	Clear X-register, total (clock-reset)
CLYTR	129-J3	Clear Y-register, total (clock-reset)
CLZTL	241-L5	Clear Z-register, (DMA option) total (clock-level)
CMK09	122-L7	Clear mask flip-flops for OTK instruction
CMKXX	134-K7	Clear mask, I/O control pulse.
D00DJ	130-D1	Fictitious D00 bit to take care of right shift end effects
D00FF	130-H9	D00 control flip-flop, extension of D-register.
D <u>x</u> <u>x</u> FF	101-116-F8	D-register flip-flops, bits 1 through 16
D0GFF	124-L7	Divide termination control flip-flop for arithmetic option
D17DJ	130-F3	Fictitious D17 bit (end effect) of left shift
D1LA <u>x</u>	245-F8	Device interrupt line, DMA channels 1 through 4
D1QAZ	123-B3	D01FF equals AZZZZ flip-flop
D1V0P	120-F5	DIV op code
DALEN	224-	DMC address line enable
DCY2X	221-D10	DMC cycle 2

Table 1-2. (Cont)
Function Index

Mnemonics	LBD No. (Signal Source)	Definition
DCY3X	221-K5	DMC cycle 3
DCYXX	221-B10	DMC cycle 1, 2, and 3
DG0NE	126-D9	D-register equals zero, bits 1 through 16.
DMA1N	259-XX	DMA input mode
DMACY	241-L7	DMA cycle
DMARQ	241-B5	DMA request
DMAWR	241-G9	DMA write/read control
DMCCY	138-B11	DMC cycle 1, 2, 3, and 4
DMCRQ	220-F6	DMC request
DMCRR	221-F2	DMC reset ready line
DMCWR	221-L2	DMC write/read control
DP0LX	124-J11	Double precision or LDX op code
DPM0D	124-B10	Double precision mode flip-flop
DRLIN	143-B4	Device ready line
DSPL0	141-D7	Display operating indicators
DSPLA	141-H7	Display A-register
DSPLB	141-E7	Display B-register
DSPLM	141-A7	Display M-register
DSPLX	141-K7	Display X-register
DSPLY	141-B7	Display Y-register
E <u>x</u> <u>x</u> FF	101-116-L3	E-register flip-flops, bits 1 through 16.
E01NS	119-E1	End of instruction
E0ADJ	130-D9	Fictitious E-register bit for shift end effect
E0BDJ	130-F1	Fictitious E-register bit for shift end effect
E0CDJ	130-D8	Fictitious E-register bit for shift end effect
E0DDJ	130-D11	Fictitious E-register bit for shift end effect
E0Y16	124-J9	Enable zero to Y-register, bit 16.
E1CHL	125-F10	Enable ONE to shift counter bit 11 (clock-level)
E1CTS	125-J8	Enable ONES to shift counter, total (clock-set)
E1DTS	125-L6	Enable input bus to D-register, bits 1 through 16 (clock-set)
E1K17	127-L4	Enable 1 carry-in from fictitious bit 17 (end inject carry)
E1YHS	129-L7	Enable IYB, bits 2 through 9, to Y-register (clock-set)
E1YLS	129-L6	Enable IYB, bits 10 through 16, to Y-register (clock-set)
E40SC	121-C2	Enable 40 (octal) to shift counter. Setup for NRM instruction
E57SC	124-J3	Enable 57 (octal) to shift counter. Setup for DIV instruction

Table 1-2. (Cont)
Function Index

Mnemonics	LBD No. (Signal Source)	Definition
E70SC	124-G3	Enable 70 (octal) to shift counter. Setup for MPY instruction
EASTL	127-L1	Enable A-register to sum network, bits 1 through 16 (clock-level)
EBETS	125-L1	Enable B-register to E-register, bits 1 through 16 (clock-set)
ECETS	125-L3	Enable shift counter to E-register, bits 11 through 16 (clock-set)
EDA1L	130-H10	Enable D-register to A-register, bit 1 (clock-level)
EDAHS	122-L1	Enable D-register to A-register, bits 1 through 8 (clock-set)
EDALS	122-L2	Enable D-register to A-register, bits 9 through 16 (clock-set)
EDBTS	123-L2	Enable D-register to B-register, bits 1 through 16 (clock-set)
EDM <u>x x</u>	101-116-G8	Enable D-register to M-register, bits 1 through 16 (DJs with ESM__ gates)
EDMAY	241-L3	Enable DMA bus (address count or Z-register) to Y-register, bits 1 through 16 (clock-set)
EDMTS	128-H11	Enable D-register to M-register, bits 1 through 16 (clock-set)
EDPTL	129-G9	Enable D-register to P-register (clock-level)
EDPTS	129-L9	Enable D-register to P-register, bits 1 through 16 (clock-set)
EDYTS	129-L2	Enable D-register to Y-register, bits 1 through 16 (clock-set)
EEALS	122-K4	Enable E-register to A-register, bits 11 through 16 (clock-set)
EEATS	122-L4	Enable E-register to A-register, bits 1 through 10 (clock-set)
EMC <u>x x</u>	121-X11	Enable M-register to shift counter, bits 11 through 16, respectively.
EMCTL	125-J11	Enable M-register to shift counter, bits 11 through 16 (clock-level)
EMFTL	128-K4	Enable M-register to F-register, bits 3 through 6 (clock-level)
EMSHL	127-L8	Enable M-register to sum network, bits 1 through 7 (clock-level)
EMSLL	127-L10	Enable M-register to sum network, bits 8 through 16 (clock-level)
EMXTS	128-H7	Enable M-register to X-register, bits 1 through 16 (clock-set)
ENSHL	127-L7	Enable M-register (negation) to sum network, bits 1 through 7 (clock-level)
ENSK1	150-K2, 3	Selection Sink Enable Pulse

Table 1-2. (Cont)
Function Index

Mnemonics	LBD No. (Signal Source)	Definition
ENSLI	127-L5	Enable M-register (negation) to sum network, bits 8 through 16 (clock-level)
ENTRA	141-H4	Enter A-register (manual console op)
ENTRB	141-E4	Enter B-register (manual console op)
ENTRM	141-A4	Enter M-register (manual console op)
ENTRP	141-B4	Enter P-register (manual console op)
ENYSW	150-K4, 5	Digit Selection Switch Enable Pulse
EPSLL	128-H4	Enable P-register to sum network bits 3 through 16 and enable M-register bits 1 and 2 to sum network (clock-level)
EPYTS	129-L4	Enable P-register to Y-register, bits 1 through 16 (clock-set)
ERA0P	120-K1	ERA op code (exclusive OR to A)
ERLAX	259-XX	End of range for DMA
ERLXX	222-L11	End of range line for DMC
ESDTS	125-L4	Enable adder sum to D-register, bits 1 through 16 (clock-set)
ESMTS	128-H10	Enable sum network input to M-register, bits 1 through 16 (clock-set)
ETAHS	122-L5	Enable transposed D-register, bits 9 through 16 into A-register, bits 1 through 8 (clock-set)
ETALS	122-L6	Enable transposed D-register bits 1 through 8 into A-register, bits 9 through 16 (clock-set)
EXSTL	128-K5	Enable X-register to sum network, bits 1 through 16 (clock-level)
EXTMD	136-H1	Extended addressing mode flip-flop
EYSHL	128-K3	Enable Y-register to sum network, bits 1 through 7 (clock-level)
EYSLI	128-K2	Enable Y-register to sum network, bits 8 through 16 (clock-level)
EYZTL	241-L6	Enable Y-register to Z-register, bits 1 through 16 (clock-level)
EZYTL	241-J7	Enable Z-register to Y-register via ACT _{__} ⁺ lines, bits 1 through 16 (clock-level)
F01CY	119-D7	F or I cycle control flip-flops are set
F0 _x FF	120-DX	Function register, bits 3 through 6
FCX00	134-J11	Function control indicating address bus lines 08, 09, 10, and 14 are all zero
FCYEF	119-F10	F-cycle early flip-flop
FCYLF	119-K10	F-cycle late flip-flop
FCYM2	136-F4	F-cycle/M02FF (tag store flip-flop for extended addressing mode)
FCYS0	127-F5	F-cycle sector zero specified in memory reference instruction addressing

Table 1-2. (Cont)
Function Index

Mnemonics	LBD No. (Signal Source)	Definition
G <u>x</u> <u>x</u> DJ	101-116-B4	Adder network input (A v X), bits 1 through 16, respectively
GEN0A	120-K11	Generic operation, class A
GEN0B	120-K10	Generic operation, class B
GEN0P	120-C11	Generic operation
H <u>x</u> <u>x</u> DJ	101-116-B9	Adder network input (M v P v Y v M -), bits 1 through 16, respectively
HOLDM	128-J8	Hold M-register contents (inhibit CLMTR-)
JAMKN	127-J4	Jam carry network (suppress carries)
JMP0P	120-J1	JMP op code
JST0P	120-K4	JST op code
L <u>x</u> <u>x</u> FF	242-243-XX	L-register flip-flops, bits 1 through 16 (DMA option)
L0B <u>x</u> <u>x</u>	242-243-XX	L-register output bus, bits 1 through 16 (DMA option)
L17XX	133-XX	Fictitious L17 for parity injection
L1B <u>x</u> <u>x</u>	245-XX	L-register input bus, bits 1 through 16
LDA0P	120-F1	LDA op code
LMPRN	132-C3	Lamp, run indicator
LMR <u>x</u> <u>x</u>	153-161-E5, 11	Selection Switch Discharge Resistor Line
LSX0P	120-H5	Load/store X-register op code
LXACY	263-D9	Load X-register/A-cycle
M <u>x</u> <u>x</u> FF	101-116-J8	M-register, bits 1 through 16
M01ML	262-K7	M01 control from memory lockout
M02DJ	136-H5	M02 DJ gates for extended addressing
M17FF	133-K10	Parity bit flip-flop of memory parity option
M5G4G	123-F1	Minterm control in DP and IAB instructions
MACYL	128-E1	Multiply control in A-cycle
MADFF	124-L5	Multiply and divide control flip-flop
MAST0	141-E9	Memory access, store mode
MBSYL	150-B2	End of Memory Busy pulse
MCRST	118-G1	Master clock, reset phase
MCSET	118-F3	Master clock, set phase
MCTLG	118-G2	Master clock, timing level generator phase
MDA2A	123-D3	MPY/DIV option, A-cycle, TL2, control minterm A
MDA2C	123-G10	MPY/DIV option, A-cycle, TL2, control minterm C
MDG2E	123-D1	MPY/DIV option, timing level 2, control minterm E

Table 1-2. (Cont)
Function Index

Mnemonics	LBD No. (Signal Source)	Definition
MDG4D	123-G9	MPY/DIV option, timing level 4, control minterm D
MD01X to MD17X	153 to 161 C4, 5	Memory data output signals
MDSLA	122-B9	MPY/DIV option, shift left A-register
MDSRA	123-E9	MPY/DIV option, shift right A-register
MEL0V	262-K3	Memory lockout violation flip-flop
MEMAC	141-G8	Memory access mode control
MEMC1	126-J11	Memory cycle initiate
MFG2E	122-F11	Main frame, general cycle, TL2, minterm E
MM <u>x x x</u>	142-XX	Memory to M-register data bits 1 through 16, from memory bank A through D and combinations
MPEFF	133-J7	Memory parity error flip-flop
MPY0P	120-F5	MPY op code
MSTCL	141-B10	Master clear (over all initialization)
N <u>x x</u> PA	101-116-C9	Adder network input AND gates (G \wedge H), bits 1 through 16, respectively
N0P10	125-D10	I/O no operation. Device not ready
N0ST0	262-D3	No store. Protected memory area is being accessed.
NRM0P	128-D1	NRM op code
P <u>x x</u> FF	101-116-J11	P-register flip-flops, bits 1 through 16
P02BS	136-D5	P02 storage flip-flop for bank control extended addressing.
P1L00	133-L6	Program interrupt line 00 (standard)
P1REQ	143-XX	Program interrupt request
P1SEX	134-C2	Program interrupt or single execute request
PARCK	143-B4	Parity check indicator from I/O
PERM1	134-E4	Permit interrupt flip-flop
PF1NT	135-B8	Power failure interrupt signal from sensing PAC
PFHLT	141-K8	Power failure halt mode control
PMIND	136-K1	Previous mode indicator flip-flop for extended-addressing mode
PR0T <u>x</u>	264-XX	Accessing protected sector 0 through 3 00-07 or 40-47 10-17 or 50-57 20-27 or 60-67 30-37 or 70-77
R <u>x x</u> PA	101-116-C9	Adder network or gates (G \vee H-), bits 1 through 16, respectively

Table 1-2. (Cont)
Function Index

Mnemonics	LBD No. (Signal Source)	Definition
RCYF1	150-E1	Read cycle flip-flop
RC7SW	150-H5	Digit selection switch read timing pulse
RDATA	150-E5	Memory data input disable pulse
READY	141-J10	Prestart signal from console pushbutton switch
REMOK	123-B1	Remainder OK to terminate divide
RENSK	150-E4	Selection Sink enable read timing pulse
RESTR	262-F5	Restricted mode flip-flop for memory lockout option
RPTT2	126-G5	Repeat TL2 timing level
RRCXX	126-L6	Read-regenerate cycle control to memory
RRLIN	134-K8	Reset ready line signal to I/O device
RSKA1	150-E2	Selection sink read command timing pulse
RTCAD	147-F9	Real-time clock address decoder
RTCLK	147-H2	Real-time clock service request
RUNFF	126-J2	RUN control flip-flop
RUNMD	141-D10	RUN mode console switch control
RXSWA	150-E2	X-Selection switch read command pulse
RYSWA	150-E3	Digit selection switch read command timing pulse
S <u>x</u> <u>x</u> C <u>x</u>	117-XX	Sum network outputs from carry gating, bits 1 through 16, respectively
SAM1N	240-H3	Sense amplifier to M-register inhibit. DMA memory control
SC <u>x</u> <u>x</u> F	121-XX	Shift counter flip-flops. Bits 11 through 16.
SCQ70	121-L1	Shift counter equals octal 70
SCQ77	121-L1	Shift counter equals octal 77
SCZR0	121-L3	Shift counter equals zero
SCZR1	121-L2	Shift counter equals zero or minus one (77)
SDARS	123-L11	Shift (double) A-register, right shift (clock-set)
SDBRS	123-L10	Shift (double) B-register; right shift (clock-set)
SDB <u>x</u> <u>x</u>	130-C6	End effects for SDBRS to B-register, bit 1 and bit 2
SDR <u>x</u> <u>x</u>	140-X7	Set data register, bits 1 through 16, from console pushbutton switches
SEC <u>x</u> <u>x</u>	272-xx	Sector (00-77) is unprotected in memory lockout option
SENS <u>x</u>	140-X10	Sense switches on console, 1 through 4, respectively
SETA0	125-J9	Set A00FF control signal

Table 1-2. (Cont)
Function Index

Mnemonics	LBD No. (Signal Source)	Definition
SETAZ	125-J9	Set A Z Z Z Z control signal
SETF5	134-H5	Set bit 5 of F-register for memory increment
SETTA	240-G11	Set TLA timing level flip-flop in DMA option
SEX00	135-B6	Standard interrupt priority network flip-flop
SEXLV	135-B5	Memory lockout violation interrupt priority network flip-flop
SEXPf	135-B3	Power failure interrupt priority network flip-flop
SEXRC	135-B3	Real-time clock service request priority network flip-flop
SEXRQ	200-XX	Single execute memory increment request
SHA0P	120-K8	Shift A-register op code
SHASC	120-K7	Shift A-register and shift counter does not equal zero
SKGRP	120-K6	Skip group op code
SLATS	122-L10	Shift left to A-register (clock-set)
SLBTS	123-L4	Shift left to B-register (clock-set)
SMK01	134-L11	Set mask group No. 1 (standard devices)
SMK09	122-J9	Set mask group No. 9 (OTK instruction)
SMKXX	134-E10	Set mask general output strobe
SMP1L	135-A10	Sample program interrupt lines
SPM0D	135-H9	Single pulse mode control (service jumper)
SRATS	122-L11	Shift right to A-register (clock-set)
SRBTS	123-L9	Shift right to B-register (clock-set)
SRSTL	128-H1	Shift right from A-register to sum network (clock-level)
STA0P	120-F2	STA op code
START	141-J9	Start pushbutton switch release
STCHN	241-L1	Set channel enable flip-flops in DMA option
STCHS	241-J6	Set channel select flip-flops in DMA option
STEPP	141-G10	Step P-register in MEMAC mode
STEXT	136-H9	Set extended addressing mode
STRB1	150-G6, 7	Sense amplifier strobe pulse
SUB0P	120-F1	SUB op code
SW01 to SW17	(Core Stack)	Sense amplifier core stack sense winding inputs
TACFF	240-C7	Timing level mid-TLA through mid-TLC (DMA option)
TBDFf	240-C10	Timing level mid-TLB through mid-TLD (DMA option)
TL13F	118-D5	Timing level mid-TL1 through mid-TL3

Table 1-2. (Cont)
Function Index

Mnemonics	LBD No. (Signal Source)	Definition
TL1FF	118-J11	Timing level TL1
TL23F	118-D8	Timing level mid-TL2 through mid-TL3
TL24F	118-D11	Timing level mid-TL2 through mid-TL4
TL2FF	118-J8	Timing level TL2
TL3FF	118-J6	Timing level TL3
TL4FF	118-J3	Timing level TL4
TLATE	118-B8	Timing level, late, TL2 and TL3 inclusive
TLAFF	240-F11	Timing level A in DMA option
TLBFF	240-F9	Timing level B in DMA option
TLCFF	240-F6	Timing level C in DMA option
TLDFE	240-F4	Timing level D in DMA option
TLEFF	240-F2	Timing level E in DMA option
VAC00	148-E9	0 vac, transformer center tap
VAC03	148-E9	3 vac, PFI transformer
VDC06		-6 vdc
WCYF1	150-E7	Write cycle flip-flop output
WENSK	150-E9	Selection sink enable write timing pulse
WR1NH	126-D8	Write inhibit
WSKA1	150-E10	Write sink activate
WT7SW	150-H4	Digit selection switch write timing pulse
WXSWA	150-E11	X-selection switch write command pulse
WYSWA	150-E9	Digit selection switch write command timing pulse
X <u>x</u> <u>x</u> FF	101-116-L8	X-register flip-flops, bits 1 through 16
XD01 to XD32	152- <u>XX</u>	X-selection switch outputs
XB01 to XB16	152- <u>XX</u>	X-selection sink outputs
Y <u>x</u> <u>x</u> FF	101-116-L10	Y-register flip-flops, bits 1 through 16
Y04XX to Y16XX	101, 116-L10	Double rail memory address signals
YSKRH	150-K11	Digit selection sink command pulse
YSKRL	150-K9	Digit selection sink command pulse
YSWRH	150-K7	Digit selection switch command pulse
YSWRL	150-E4	Digit selection switch command pulse
01YD1X to 17YD8X	153-161, -F <u>X</u>	Digit selection switch outputs
01YB1X to 17YB4X	153-161, -K <u>X</u>	Digit selection sink outputs
Z <u>x</u> <u>x</u> FF	244-XX	Z-register flip-flops, bits 1 through 16
ZSEC <u>x</u>	270-XX	Zero sector relocation mask, bit 2 through 7

NOTE: x indicates a variable character position in the mnemonic.

SECTION II
FLOW CHARTS/INSTRUCTION ANALYSES

The instruction analyses are detailed presentations of some key signals generated within the CPU from the time an instruction operation code is recognized until the execution is complete and the next instruction's fetch cycle is initiated. The instruction fetch cycle and I-cycle are covered on pages 2-4 through 2-7. Included in an analysis are the source, destination, and operational description of the signal. The location of the logic making up the signal is also given. Within each instruction class, the definitions of Instruction Analyses are presented in alphabetical order of their mnemonic code as follows:

<u>CODE</u>	<u>INSTRUCTION</u>	<u>CODE</u>	<u>INSTRUCTION</u>
<u>Generic</u>		<u>Input-Output</u>	
ACA	Add C to A	INA	Input to A
AOA	Add ONE to A	OCP	Output Control Pulse
CAL	Clear Left Half	OTA	Output from A
CAR	Clear Right Half	SMK	Set Mask
CHS	Complement A Sign	SKS	Skip if Sense Line Set
CMA	Complement A		
CRA	Clear A-register	<u>Memory Reference</u>	
CSA	Copy Sign and Set Sign Plus	ADD	Add
ENB	Enable Program Interrupt	ANA	Logical AND
HLT	Halt	CAS	Compare
IAB	Interchange A and B	ERA	Exclusive OR
ICA	Interchange Halves	IMA	Interchange memory and A
ICL	Interchange and Clear Left Half	IRS	Increment, Replace, and Skip
ICR	Interchange and Clear Right Half	JMP	Unconditional Jump
INH	Inhibit Program Interrupt	JST	Jump and Store Location
INK	Input Keys	LDA	Load A
NOP	No Operation	LDX	Load Index Register
OTK	Output Keys	STA	Store A
RCB	Reset C to ZERO	STX	Store Index Register
SCB	Set C to ONE	SUB	Subtract
S--	(Skip Group)	<u>Shift</u>	
SSM	Set Sign Minus	ALR	Logical Left Rotate
SSP	Set Sign Plus	ALS	Arithmetic Left Shift
TCA	Two's Complement A	ARR	Logical Right Rotate
		ARS	Arithmetic Right Shift

<u>CODE</u>	<u>INSTRUCTION</u>
<u>Shift (Cont)</u>	
LGL	Logical Left Shift
LGR	Logical Right Shift
LLL	Long Left Logical Shift
LLR	Long Left Rotate
LLS	Long Arithmetic Left Shift
LRL	Long Right Logical Shift
LRR	Long Right Rotate
LRS	Long Arithmetic Right Shift

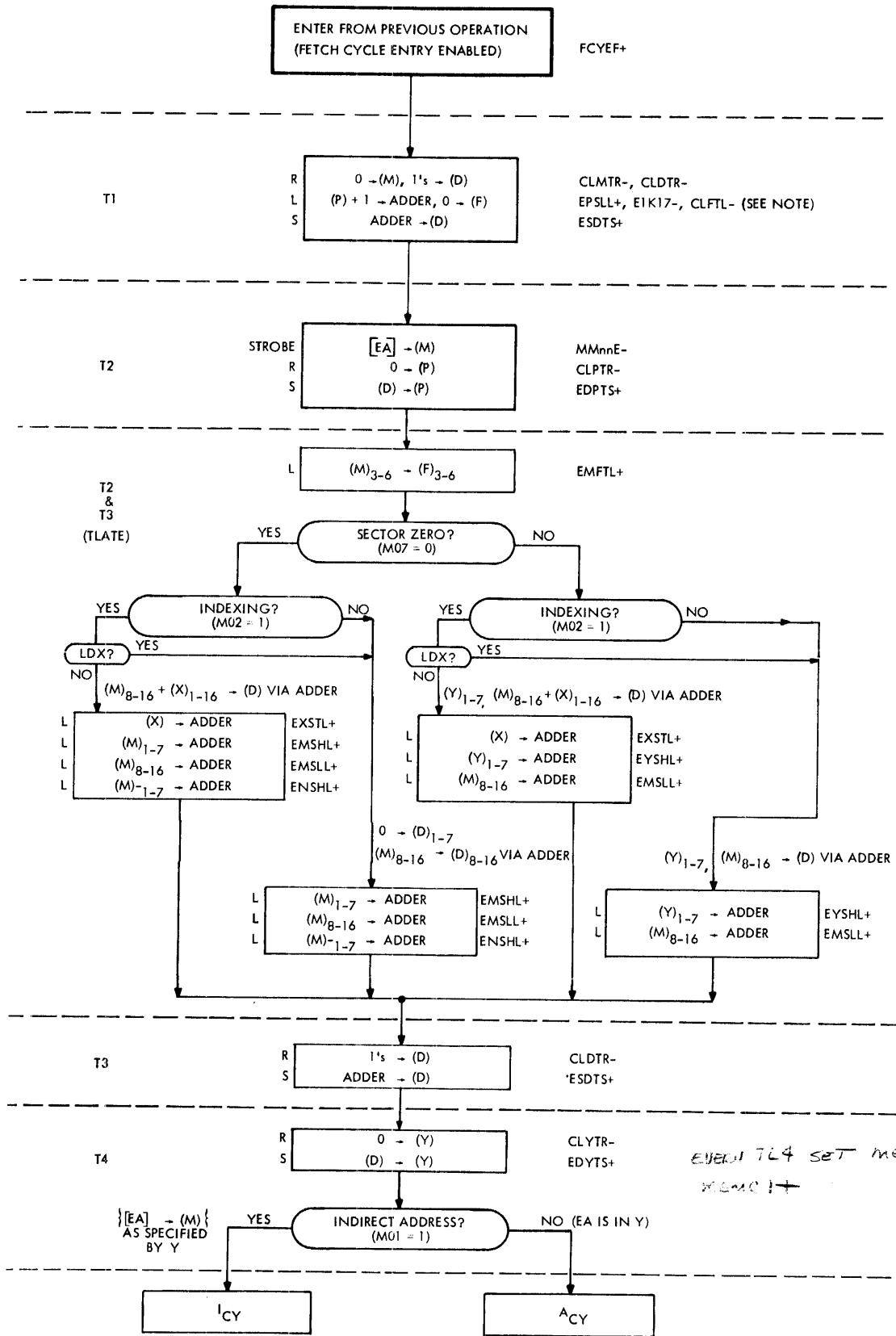
The flow charts summarize the sequence of events that occur within the central processor (CPU) during the execution of each instruction. The flow charts are easy to use if the reader applies the following general analysis.

With reference to the Clear A (CRA) flow chart, note that to the left of each box is an alphanumeric (such as T1) and columns of letter codes (such as R, L, S). The alphanumeric is the time during which operations within the horizontal dashed lines occur. The letter codes specify whether the functions in the same horizontal plane are levels (L), controlled by the reset clock MCRST (R), or controlled by the set clock MCSET (S).

The information within a box is in abbreviated text form, that is to say that certain key phrases have been replaced with symbology. An example is $0 \rightarrow (M)$, which means that the contents of the M-register is replaced with zeros (cleared). Another method of clearing registers used in the DDP-516 is $1's \rightarrow (D)$. Rather than replacing the contents of the D-register with zeros, the contents are replaced with ones. This method only applies to the D-, E-, and X-registers. All other registers are cleared to all zeros.

The mnemonics to the right of the box are the signals that implement the operation described in the box. In the case of $0 \rightarrow (M)$ it is clear M-register totally on reset clock (CLMTR-) which causes the register to be cleared.

In some cases mnemonics are deliberately omitted from the flow chart for simplicity. In these cases, reference to the analyses of instructions is required.



NOTE: MISSING SIGNALS CAN BE FOUND IN F-CYCLE ANALYSIS

MEMORY REFERENCE F-CYCLE (EXCLUDING JMP)

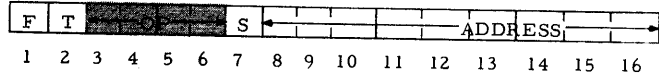
3487

Memory Reference F-Cycle (excluding JMP)

Instruction:

OP Code:

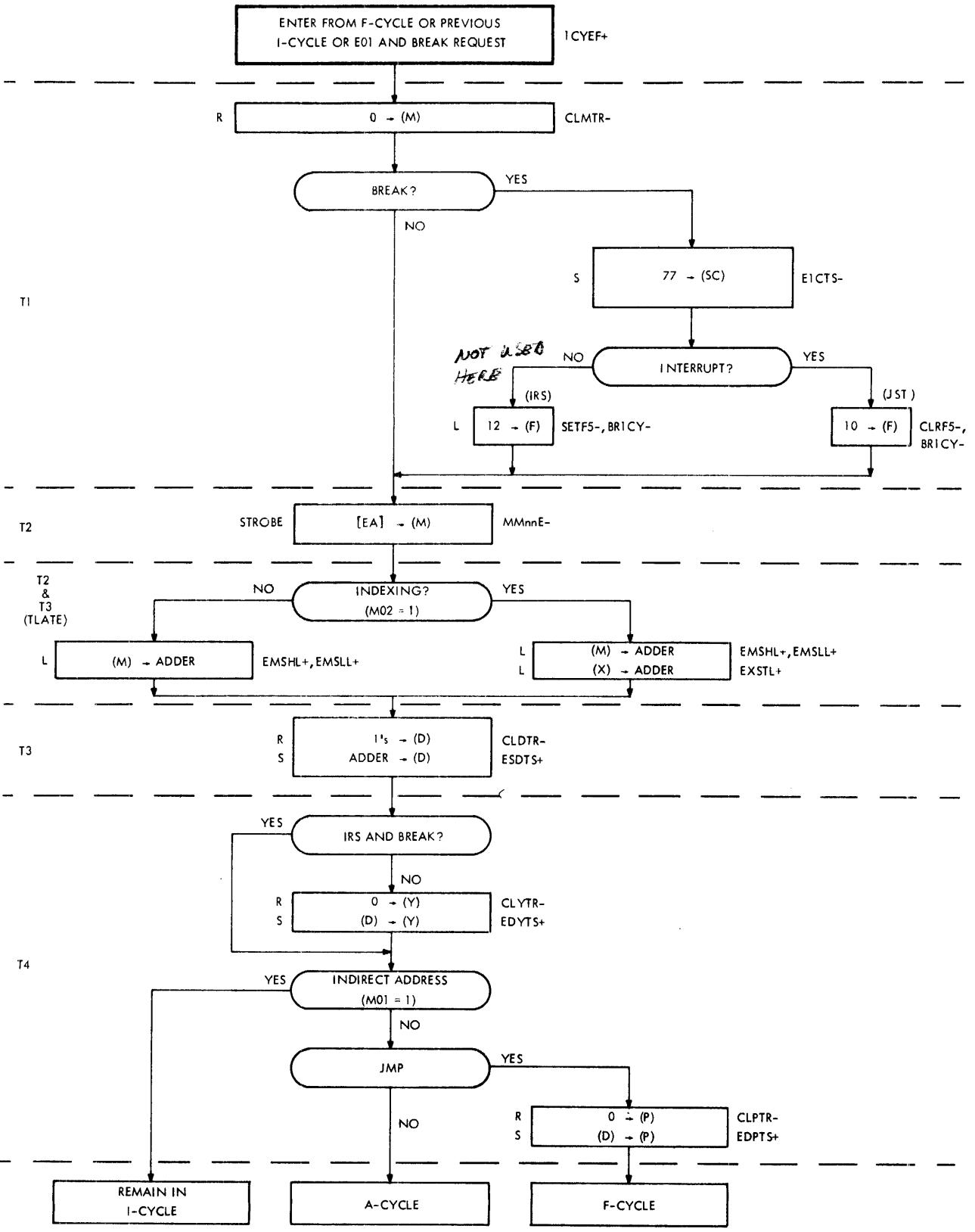
Type:



Description:

Execution Time (μsec):

Signal	Origin	Cyc	Tim	Clk	Signal Component	Origin	Destination	Operation Description
EPSSL+	128-H4	F	TLATE	L	(FCYEF+)(TLATE-)	128-F3	101--116-A10	Enable P-register to adder
E1K17-	127-L4	F	TLATE	L	(TLATE-)	127-J5	116-D7/D9	Force carry to adder
CLMTR-	128-K8	F	TL1	R	(MCRST+)(HOLDM-)(TL1FF+)	128-K8	101--116-H9	Clear M-register
CLDTR-	125-J5	F	TL1	R	(1CYEF-)(ACYEF-)(TL1FF+)(MCRST+)	125-A5	101--116-E7	Clear D-register to ONES
CLFTL-	125-J7	F	TL1	L	(1CYEF-)(ACYEF-)(TL1FF+)(MCRST+)	125-A5	120-B1 121-A5 125-L10 124-L5 124-L7	Clear F-register Clear shift counter Clear AZZZ F-F Clear MAD FF Clear D0G FF
ESDTS+	125-L4	F	TL1	S	(1CYEF-)(ACYEF-)(TL1FF+)(MCSET+)	125-A5	101--116-D4-D8	Enable adder sum to D-register
CLSEX+	134-K6	F	TL1	L	(TL1FF+)(1CYEF-)	134-K4	135-B4	Clear single execute FF
MMnnE-	153/160				(SWnnA+)(STRB1+)	153/160	101--116-H8	Memory data set into M-register
CLPTR-	129-J10	F	TL2	R	(EDPTL+)(MCRST+)	129-H10	101--116-H10	Clear P-register
EDPTS+	129-L9	F	TL2	S	(EDPTL+)(MCSET+)	129-H9	101--116-G11	Enabled D-register into P-register
EMFTL+	128-K3	F	TLATE	L	(M07FF-)(MEMAC-)(FCYLF+)(TLATE+)(GEN0P-) or (M07FF+)(MEMAC-)(FCYLF+)(TLATE+)(GEN0P-)	127-G4 128-J2	120-A2 136-B4 } 136-D3 }	Enable M(3-6) into F(3-6) Bank switching control
EMFTL-	128-K3	F	TLATE	L	See EMFTL+	127-G4	127-L9	Generate EMSLL+
EXSTL+	128-K5	F	TLATE	L	(F01CY+)(TLATE+)(M02FF+)(GEN0P-)(MEMAC-)(M03FF+ or M04FF+ or M05FF- or M06FF+)	128-G6	101--116-A5	Enable X-register to adder
EMSHL+	127-L8	F	TLATE	L	(M07FF-)(MEMAC-)(FCYLF+)(TLATE+)(GEN0P-)	127-G4	101--107-A8	Enable M(1-7) to adder
EMSLL+	127-L9	F	TLATE	L	(EMFTL-)	128-K3	108--116-A8	Enable M(8-16) to adder
ENSHL+	127-L7	F	TLATE	L	(M07FF-)(MEMAC-)(FCYLF+)(TLATE+)(GEN0P-)	127-G4	101--107-A9	Enable M-(1-7) to adder
EYSHL+	128-K3	F	TLATE	L	(FCYLF+)(TLATE+)(GEN0P+)(MEMAC-)(M07FF+)	128-J3	101--107-A11	Enable Y-register (1-7) to adder
CLDTR-	125-J5	F	TL3	R	(ANA0P-)(TL3FF+)(MCRST+) or (ACYLF-)(TL3FF+)(MCRST+)	125-A6 } 125-D5 }	101--116-E7	Clear D-register to ONES
ESDTS+	125-L4	F	TL3	S	(10GRP-)(TL3FF+)	125-D6	101-116-D4-D8	Enable adder sum to D-register
CLYTR-	129-J3	F	TL4	R	(ACYLF-)(TL4FF+)(MCRST+)	129-A1/ D3	101--116-L11	Clear Y-register
EDYTS+	129-L1	F	TL4	S	(ACYNX-)(MCSET+)(TL4FF+)(BRREQ-)(P1SEX+)	129-H1	101--116-G10	Enable D-register into Y-register



C3688

STANDARD I-CYCLE

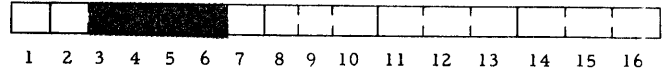
Standard I-Cycle With Breaks

Instruction:

OP Code:

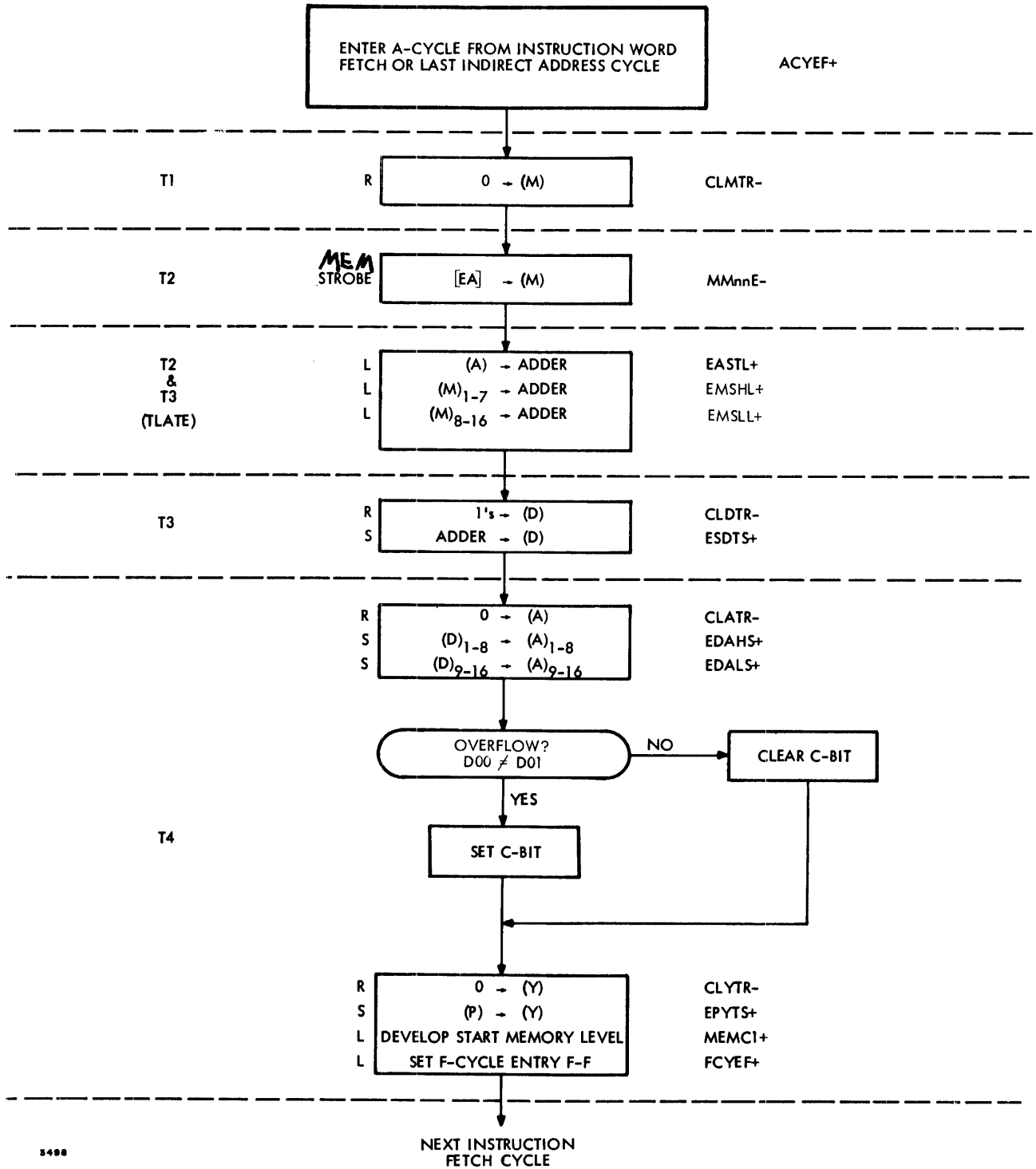
Type:

Description:



Execution Time (μsec):

Function	Origin	Cyc	Tim	Clk	Boolean Expression	Origin	Destination	Operation Description
EMSHL+	127-L8				(1CYEF-)	127-L8	101--107-A8	Enable M(1-7) to adder
EMSL+L+	127-L10				(1CYEF-)	127-L9	108--116-A9	Enable M(8-16) to adder
EIK17-	127-L4	I	TLATE	L	(TLATE-)	127-J6	116-D7/D8	Force carry to adder
CLRF5+	134-F6	I	TL1	L	[(SEXRQ-)V(1G063-)]^ [(1AD61-)(BREAK+) (1CYEF+)(TL1FF+)]	134-C5/ E7	134-E4 120-C3	Reset PERM1 FF Clear F-register bit 5
SETF5-	134-H5	I	TL1	L	[(SEXRQ+)(1G063+)V (1AD61+)]^[(BREAK+) (1CYEF+)(TL1FF+)]	134-X5	120-C4	Set F-register bit 5
BR1CY-	134-C6	I	TL1	L	(BREAK+)(1CYEF+)(TL1FF+)	134-C6	120-B1-B8	Force F-register to JSTOP- or IRSOP- depending on F05
CLMTR-	128-K8	I	TL1	R	(MCRST+)(ACYEF-)(TL1FF+)	128-K8	101--116-H9	Clear M-register
EICTS-	125-J8	I	TL1	S	(BR1CY+)(MCSET+)(AZZZZ-)	125-H8	126-F5 126-D8 121-X8	Generate RPT2+ (Don't care) Set WR1NH FF Set shift counter to 77 ₈
MMnnE-	153/160				(SWnnA+)(STRB1+)	153/160	101--116-H8	Memory data set into M-register
EXSTL+	128-K5	I	TLATE	L	(1CYLF+)(F01CY+)(TLATE+) (M02FF+)(GEN0P-)(MEMAC-)	128-J5	101--116-A6	Enable X-register to adder
CLDTR-	125-J5	I	TL3	R	(ACYLF-)(TL3FF+)(MCRST+)	125-D5	101--116-F7	Clear D-register to ONES
ESDTS+	125-L4	I	TL3	S	(TL3FF+)(10GRP-)(MCSET+)	125-D6	101--116-D5- D9	Enable adder sum to D-register
MEMC1+	126-H11	I	TL4	L	(10GRP-)(SPM0D-)(TL4FF+)	126-F11	150-D1	Enable set RCYF1+
CLPTR-	129-J10	I	TL4	R	(0PGJS+)(E01NS+)(TL4FF+) (MCRST+)	129-D9	101--116-H10	Clear P-register
CLYTR-	129-J3	I	TL4	R	(ACYNX-)(TL4FF+)(MCRST+)	129-D3/ H3	101--116-L11	Clear Y-register*
EDPTS+	129-L9	I	TL4	S	(0PGJS+)(E01NS+)(TL4FF+) (MCSET+)	129-D9	101--116-G11	Enable D-register into P-register
EDYTS+	129-L1	I	TL4	S	[(MCSET+)(TL4FF+) (ACYNX-)]^[(BRREQ-)V (DCYXX-)(E01NS-)]	129-H1/ H2	101--116-G10	Enable D-register into Y-register*
E1YLS+	129-L6	I	TL4	S	(TL4FF+)(BRREQ+)^ [(DCYXX-)(E01NS-)] - ^ (MCSET+)	125-D5/ H6	110--116-K10	Enable 1YB(10-16) into Y(10-16)
* Y-register changed except when [(F01CY+)(BREAK+)(IRSOP+)] is TRUE								



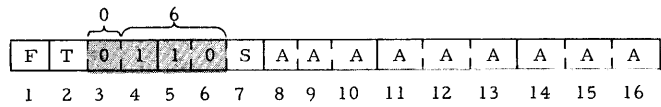
5400

ADD
2 CYCLES
OP CODE 06

Instruction: Add (ADD)

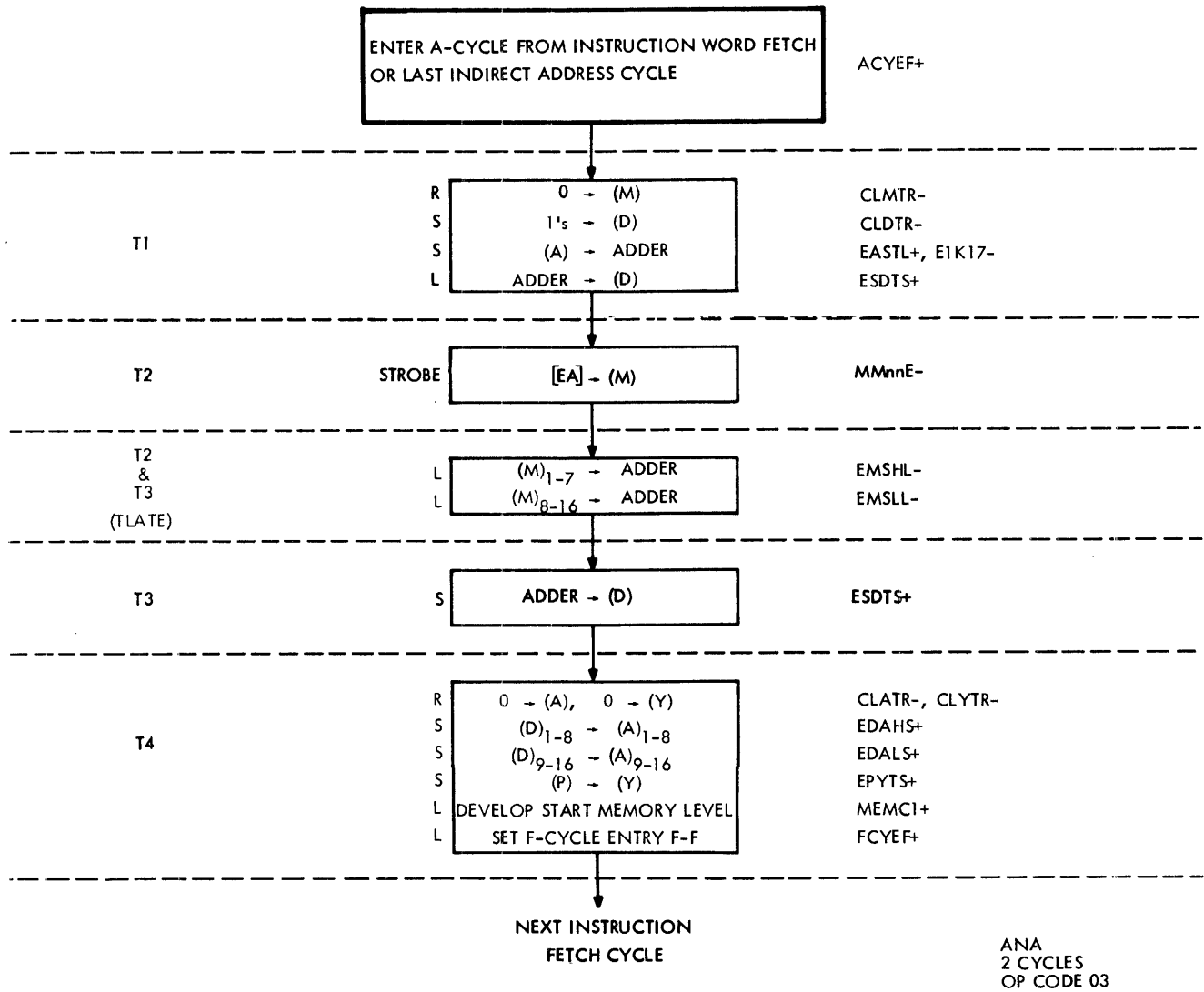
OP Code: 06 Type: MR, 2 cycles

Description: (A) + [EA] → A
OVF → (C)



Execution Time (μsec): 1.92

Signal	Origin	Cyc	Tim	Clk	Signal Component	Origin	Destination	Operation Description
CLMTR-	128-K8	A	TL1	R	(MCRST+)(HOLDM-)(TL1FF+)	128-K8	101--116-H9	Clear M-register
MMnnE-	153/160				(SWnnA+)(STRB1+)	153/160	101--116-H8	Memory data set into M-register
EASTL+	127-L1	A	TLATE	L	(ADD0P+)(ACYLF+)(TLATE+)	127-A1/C1	101--116-A5	Enable A-register to adder
EMSHL+	127-L8	A	TLATE	L	(ACYLF+)(TLATE+)(SUB0P-)(OPGAA+)	127-G8	101--107-A8	Enable M-register (1-7) to adder
EMSL+L	127-L10	A	TLATE	L	(ACYLF+)(TLATE+)(SUB0P-)(OPGAA+)	127-G8	108--116-A8	Enable M(8-16) to adder
CLDTR-	125-J5	A	TL3	R	(ANA0P-)(TL3FF+)	125-B6	101--116-E7	Clear D-register to ONEs
ESDTS+	125-L4	A	TL3	S	(10GRP-)(TL3FF+)	125-D7	101--116-D4-D8	Enable adder sum to D-register
CLATR-	122-H7	A	TL4	R	(ACYLF+)(OPGAA+)(TL4FF+)	122-D3	101--116-H5	Clear A-register
EDAHS+	122-L1	A	TL4	S	(ACYLF+)(OPGAA+)(TL4FF+)	122-D3	101--108-G7	Enable D-register to A(1-8)
EDALS+	122-L2	A	TL4	S	(ACYLF+)(OPGAA+)(TL4FF+)	122-D3	109--116-G7	Enable D-register to A(9-16)
CBITF+	124-L2	A	TL4	L	(ADD0P+)(D00 = D01)	124-A4	124-L2	Set CBITF
CBITF-	124-L1	A	TL4	L	(ADD0P+)(D00 ≠ D01)	124-A5	124-L1	Reset CBITF
CLYTR-	129-J3	A	TL4	R	(SCZR0+)(TL4FF+)(MCRST+)	129-A1	101--116-G7	Clear Y-register
EPYTS+	129-L5	A	TL4	S	(P1SEX-)(E01NS+)(OPGJS-)	129-D4/H4	101--116-K11	Enable P-register to Y-register
MEMC1+	126-J11	A	TL4	L	(TL4FF+)(SPM0D-)(TL4FF-)	126-F11/H11	150-C1	Enable set RCYF1+
RCYF1+	150-D1	A	TL4	S	(MCSET+)(MEMC1+)(RCYF1-)	150-C2	150-D1	Start memory cycle

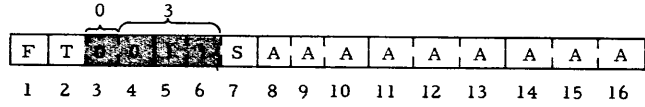


3803

Instruction: Logical AND (ANA)

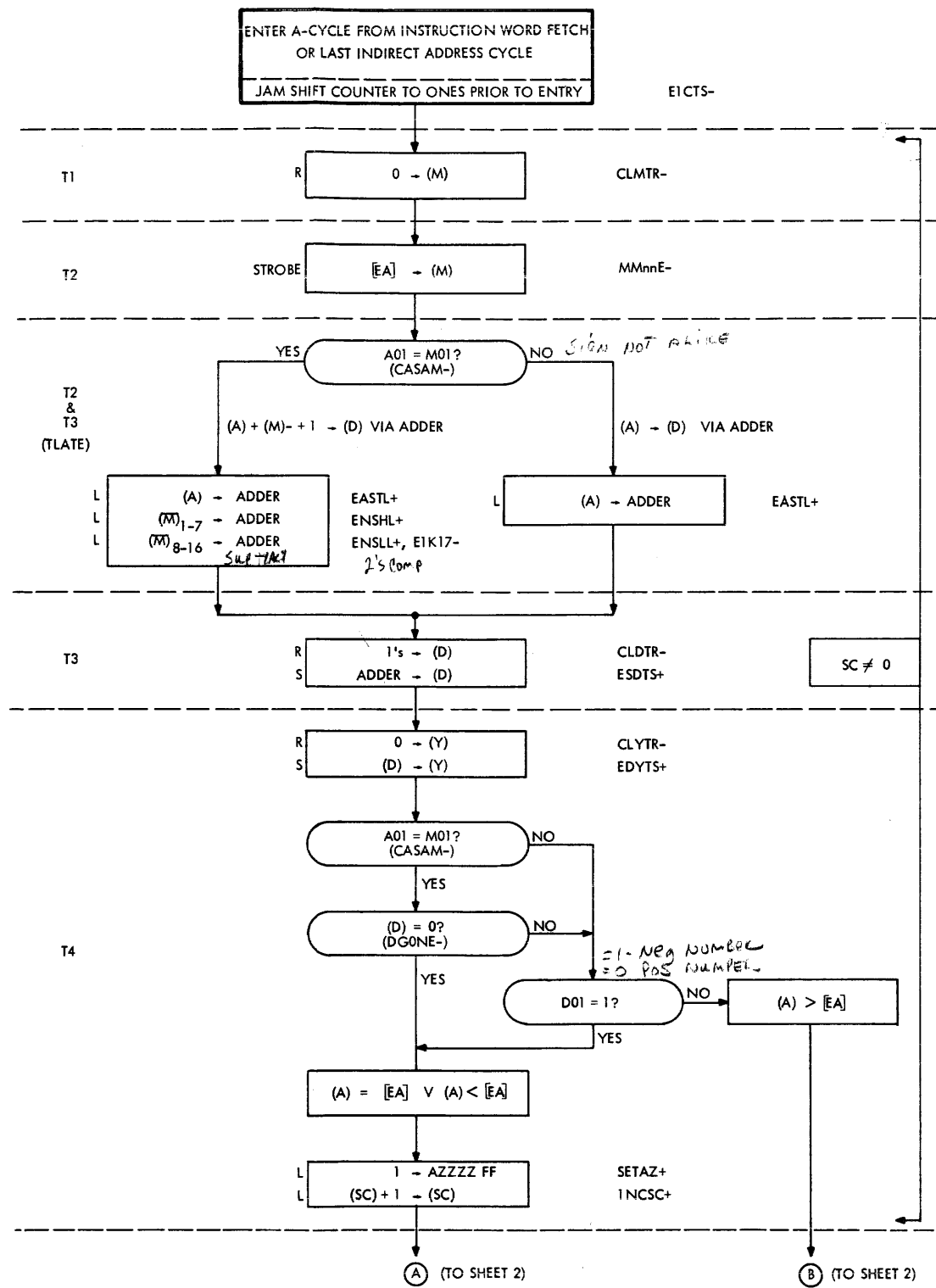
OP Code: 03 Type: MR, 2 cycles

Description: (A) ^ [EA] -> (A)

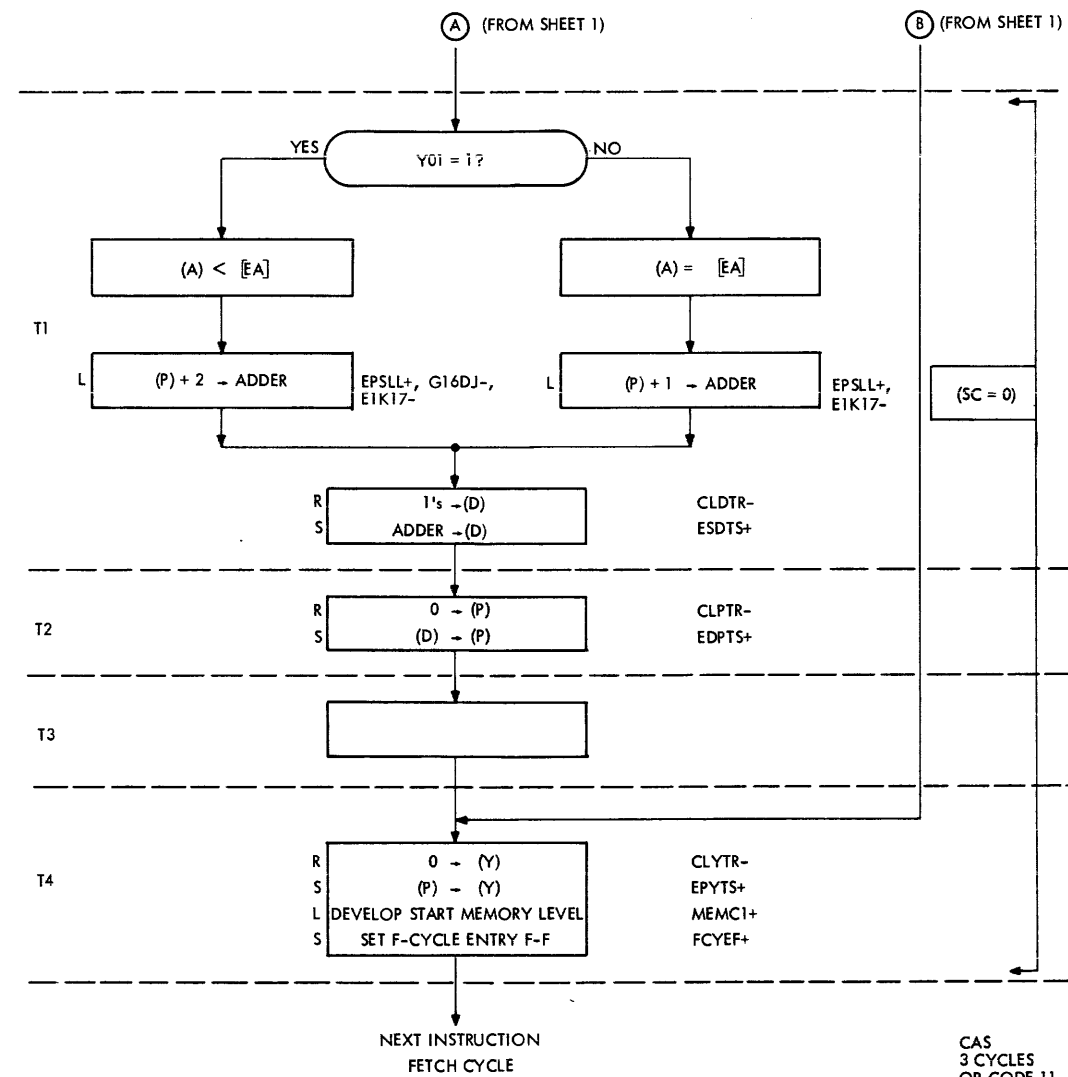


Execution Time (μsec): 1.92

Signal	Origin	Cyc	Tim	Clk	Signal Component	Origin	Destination	Operation Description
EIK17+	127-J6	A	TL1	L	(TLATE-)	127-J6	116-D7/D9	Force carry-in to bit 16
CLMTR-	128-K8	A	TL1	R	(MCRST+)(H0LDM-)(TL1FF+)	128-K8	101--116-H9	Clear M-register
CLDTR-	125-J5	A	TL1	R	(ACYEF+)(TL1FF+)(JST0P-) (IRS0P-)(1MA0P-)	125-D4	101--116-E7	Clear D-register to ONES
EASTL+	127-L1	A	TL1	L	(ACYEF+)(TLATE-)(CAS0P-) (LSX0P-)(10GRP-)	127-D4	101--116-A5	Enable A-register to adder
ESDTS+	125-L4	A	TL1	S	(ACYEF+)(TL1FF+)(JST0P-) (IRS0P-)(1MA0P-)	125-D4	101--116-D4/ D6/D8	Enable adder to D-register
MMnnE-	153/160				(SWnnA+)(STRB1+)	153/160	101--116-H8	Memory data set into M-register
EMSHL+	127-L8	A	TLATE	L	(ACYLF+)(TLATE+)(SUB0P-) (0PGAA+)	127-G8	101--107-A8	Enable M(1-7) to adder
EMSL+L	127-L10	A	TLATE	L	(ACYLF+)(TLATE+)(SUB0P-) (0PGAA+)	127-G8	108--116-A8	Enable M(8-16) to adder
ESDTS+	125-L4	A	TL3	S	(TL3FF+)(10GRP-)(MCSET+)	125-D7/ H4	101--116-D4- D8	Enable adder sum to D-register
CLATR-	122-H7	A	TL4	R	(ACYLF+)(TL4FF+)(0PGAA+) (1MA0P-)	122-D2	101--116-H5	Clear A-register
EDAHS+	122-L1	A	TL4	S	(ACYLF+)(TL4FF+)(0PGAA+) (1MA0P-)	122-D2	101--108-G7	Enable D-register to A(1-8)
EDALS+	122-L2	A	TL4	S	(ACYLF+)(TL4FF+)(0PGAA+) (1MA0P-)	122-D2	109--116-G7	Enable D-register to A(9-16)
CLYTR-	129-J3	A	TL4	R	(SCZR0-)	129-A1	101--116-G7	Clear Y-register
EPYTS+	129-L5	A	TL4	S	(P1SEX-)(E01NS+)(TL4FF+) (0PGJS-)	129-D4	101--116-K11	Enable P-register to Y-register
MEMC1+	126-J11	A	TL4	L	(TL4FF+)(SPM0D-)(TLAFF-)	126-F11/ H11	150-C1	Enable set RCYF1+
RCYF1+	150-D1	A	TL4	S	(MCSET+)(MEMC1+)(RCYF1-)	150-C2	150-D1	Start memory cycle



CAS
3 CYCLES
OP CODE 11
(SHEET 1)

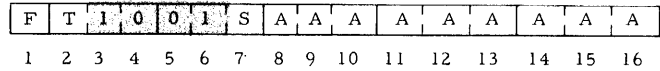


Instruction: Compare (CAS)

OP Code: 11

Type:

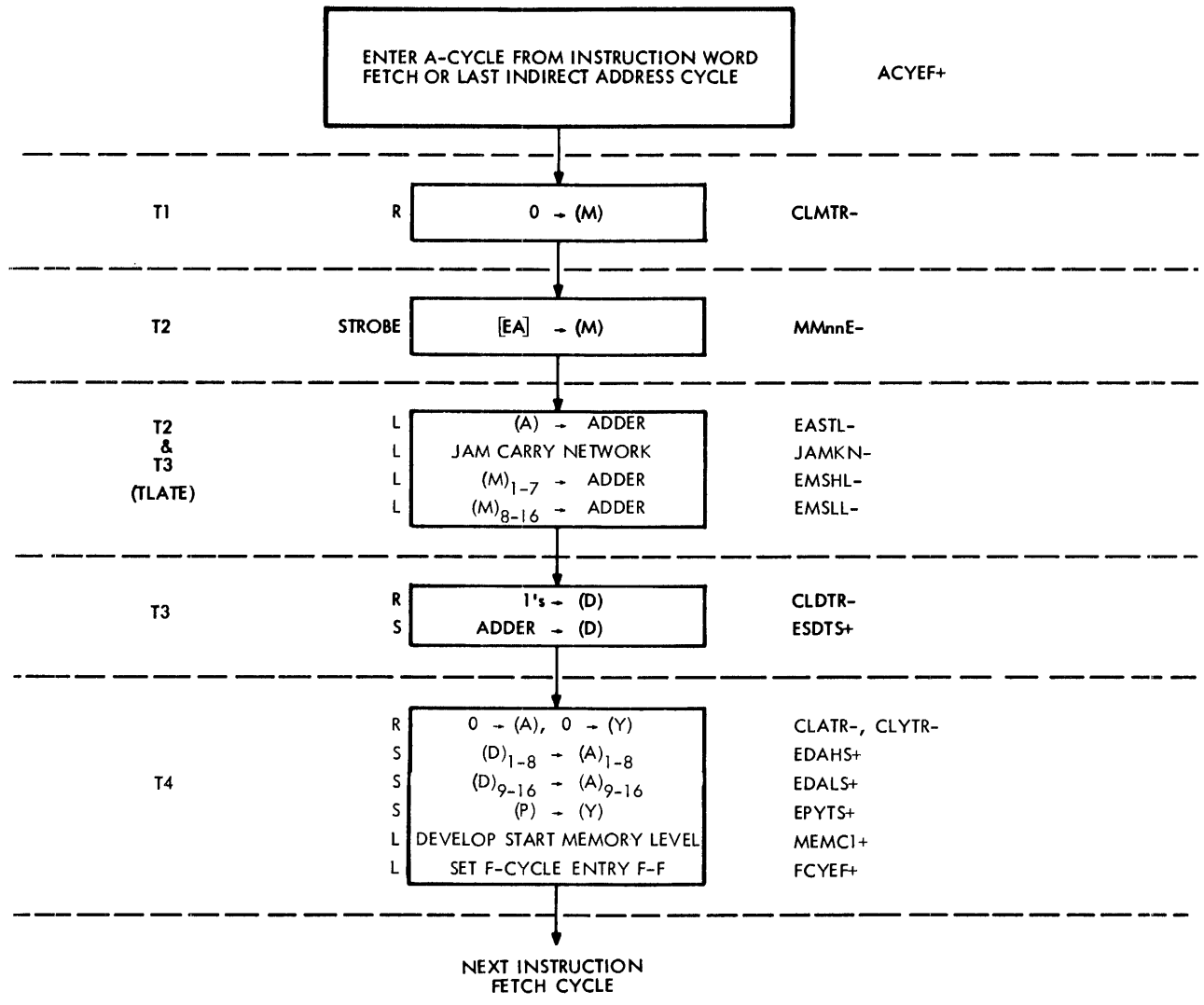
Description: If: (A) > [EA] = No operation
 (A) = [EA] = Skip next instruction
 (A) < [EA] = Skip two instructions



Execution Time (μsec): 2.88

Signal	Origin	Cyc	Tim	Clk	Signal Component	Origin	Destination	Operation Description
CASAM-	126-L4				(CAS0P+)^(A01FF-)(M01FF-) V(A01FF+)(M01FF+)	126-L4	125-B11	M01 = A01
ACYEF+	119-F4	F	TL4	L	(TL4FF+)(E01NS-)(F01CY+) [(M01FF-) at 119-B5]	119-D5	119-H3	Set A-cycle
E1CTS-	125-J8	F	TL4	S	(FCYLF+)(TL4FF+)(0PG3C+)	125-A7	121-A8	ONEs to shift counter
CLMTR-	128-K8	A	TL1	R	(MCRST+)(HOLDM-)(TL1FF+)	128-K8	101--116-H9	Clear M-register
MMnnE-	153/160				(SWnnA+)(STRB1+)	153/160	101--116-H8	Memory data set into M-register
EASTL+	127-L1	A	TLATE	L	(ACYLF+)(TLATE+)(CAS0P-)	127-C1	101--116-A5	Enable A-register to adder
ENSHL+	127-L7	A	TLATE	L	(ACYLF+)(TLATE+)(0PGNS+) (IRS0P-)	127-C11	101--107-A9	Enable M-(1-7) to adder
ENSLL+	127-L5	A	TLATE	L	(ACYLF+)(TLATE+)(0PGNS+) (IRS0P-)	127-C11	108--116-A9	Enable M-(8-16) to adder
E1K17-	127-L4	A	TLATE	L	(CAS0P+)(ACYLF+)	127-E7/ J5	116-D7-D9	Force carry to adder SC ≠ 0
CLDTR-	125-J5	A	TL3	R	(ANA0P-)(TL3FF+)(MCRST+)	125-B6	101--116-F7	ONEs to D-register
ESDTS+	125-L4	A	TL3	S	(TL3FF+)(10GRP-)(MCSET+)	125-D6	101--116-D4- D8	Enable adder sum to D-register
CLYTR-	129-J3	A	TL4	R	(CAS0P+)(TL4FF+)(MCRST+) (MCRST+)	129-A1/ D3	101--116-L11	Clear Y-register
EDYTS+	129-L1	A	TL4	S	(BRREQ-)(E01NS-)(CAS0P+) (MCSET+)(TL4FF+)	129-B1/ D4/H1	101--116-G10	Enable D-register to Y-register
DGONE-	126-B9				(D01FF-) through (D16FF-)	126-B9	125-D11	D-register equals ZERO
SETAZ+	125-J9	A	TL4	L	(ACYLF+)(TL4FF+)(CAS0P+) ^(DGONE+)V(D01FF+)	125-D11/ 125-B11	125-L10	Set AZZZ F-F
INCSC+	126-L3	A	TL4	L	(ACYLF+)(TL4FF+) *	126-H4	121-A5	Increment shift counter
G16DJ-	116-A2	A	TL1	L	(TLATE-)(ACYEF+)(CAS0P+) (Y01FF+)	116-A2	116-D7 117-B5	If (A) < [EA] force additional carry to adder
EPSLL+	128-H4	A	TL1	L	(CAS0P+)(TLATE-)	128-D4	101--116-A10	Enable P-register to adder
E1K17-	127-L4	A	TLATE	L	(TLATE-)	127-J6	116-D7-D9	Force carry to adder
CLDTR-	125-D4	A	TL1	R	(ACYEF+)(TL1FF+)(JST0P-) (IRS0P-)(1MA0P-)(MCRST+)	125-D4	101--116-E7	Clear D-register to ONEs
ESDTS+	125-L4	A	TL1	S	(ACYEF+)(TL1FF+)(JST0P-) (IRS0P-)(1MA0P-)(MCSET+)	125-L4	101--116-D4- D8	Enable adder sum to D-register
CLPTR-	129-J10	A	TL2	R	(ACYEF+)(TL2FF+)(CAS0P+) (AZZZ+)(MCRST+)	129-D10	101--116-H10	Clear P-register SC = 0
EDPST+	129-L9	A	TL2	S	(ACYEF+)(TL2FF+)(CAS0P+) (AZZZ+)(MCSET+)	129-D10	101--116-G11	Enable D-register to P-register
CLYTR-	129-J3	A	TL4	R	(CAS0P+)(TL4FF+)(MCRST+)	129-A1/ D1	101--116-L11	Clear Y-register
EPYTS+	129-L4	A	TL4	S	(P1SEX-)(E01NS+)(TL4FF+) (0PGJS-)(MCSET+)	129-D4	101--116-K11	Enable P-register to Y-register
MEMC1+	126-J11	A	TL4	L	(TL4FF+)(SPM0D-)(TLAFF-)	126-F11/ H11	150-C1	Enable set RCYF1+
RCYF1+	150-D1	A	TL4	S	(MCSET+)(MEMC1+)(RCYF1-)	150-C2	150-D1	Start memory cycle

*(SC) = 1 from previous F-cycle)



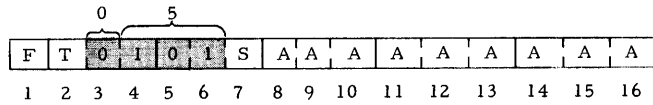
3811

ERA
2 CYCLE
OP CODE 05

Instruction: Exclusive OR (ERA)

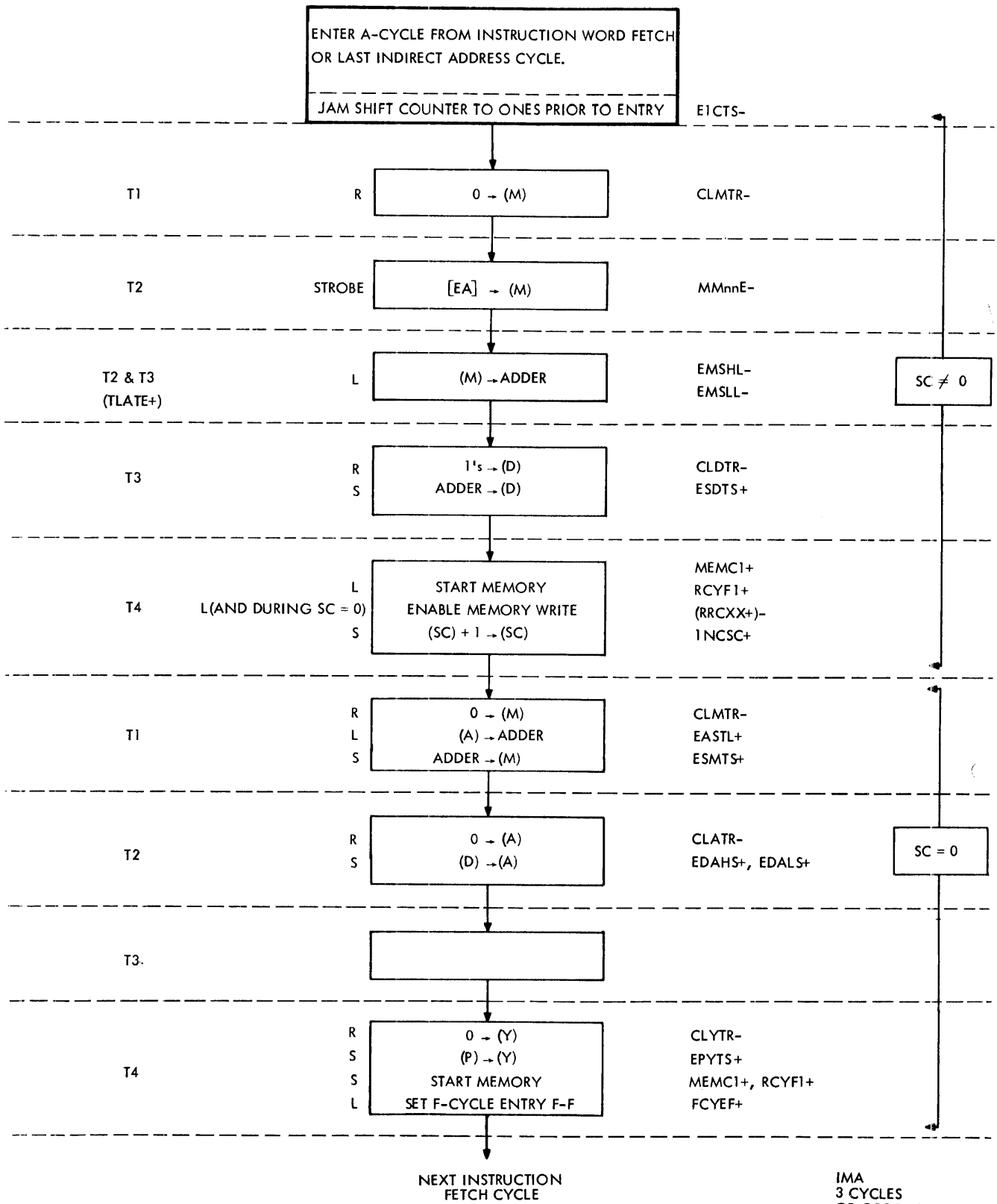
OP Code: 05 Type: MR, 2 cycle

Description: (A) ∇ [EA] \rightarrow (A)



Execution Time (μsec): 1.92

Signal	Origin	Cyc	Tim	Clk	Signal Component	Origin	Destination	Operation Description
CLMTR-	128-K8	A	TL1	R	(MCRST+)(H0LDM-)(TL1FF+)	128-K8	101--116-H9	Clear M-register
MMnnE-	153/160				(SWnnA+)(STRB1+)	153/160	101--116-H8	Memory data set into M-register
EASTL+	127-L1	A	TLATE	L	(ERA0P+)(TLATE+)(ACYLF+)	127-B1	101--116-A5	Enable A-register to adder
JAMKN-	127-J3	A	TLATE	L	(ACYEF+)(ERA0P+)	127-C3	101--117-C8	Jam carry network
EMSHL+	127-L8	A	TLATE	L	(ACYLF+)(TLATE+)(SUB0P-)(0PGAA+)	127-G8	101--107-A8	Enable M(1-7) to adder
EMSLL+	127-L10	A	TLATE	L	(ACYLF+)(TLATE+)(SUB0P-)(0PGAA+)	127-G8	108--116-A8	Enable M(8-16) to adder
CLDTR-	125-J5	A	TL3	R	(ANA0P-)(TL3FF+)(MCRST+)	125-A6	101--116-E7	Clear D-register to ONEs
ESDTS+	125-L4	A	TL3	S	(TL3FF+)(10GRP-)(MCSET+)	125-D6	101--116-D4-D8	Enable adder sum to D-register
CLATR-	122-H7	A	TL4	R	(ACYLF+)(TL4FF+)(0PGAA+)(1MA0P-)	122-D2	101--116-H5	Clear A-register
EDAHS+	122-L1	A	TL4	S	(ACYLF+)(TL4FF+)(0PGAA+)(1MA0P-)	122-D2	101--108-G7	Enable D-register to A-register (1-8)
EDALS+	122-L2	A	TL4	S	(ACYLF+)(TL4FF+)(0PGAA+)(1MA0P-)	122-D2	109--116-G7	Enable D-register to A(9-16)
CLYTR-	129-J3	A	TL4	R	(SCZR0+)(TL4FF+)(MCRST+)	129-A1	101--116-G7	Clear Y-register
EPYTS+	129-L5	A	TL4	S	(P1SEX-)(E01NS+)(TL4FF+)(0PGJS-)	129-D4	101--116-K11	Enable P-register to Y-register
MEMC1+	126-J11	A	TL4	L	(TL4FF+)(SPM0D-)(TL4FF-)	126-F11/H11	150-C1	Enable set RCYF1+
RCYF1+	150-D1	A	TL4	S	(MCSET+)(MEMC1+)(RCYF1-)	150-C2	150-D1	Start memory cycle



Instruction: Interchange memory and A (IMA)

OP Code: 13 Type: MR, 3 cycle

Description: (EA) \neq (A)

F	T	L	O	I	L	S	A	A	A	A	A	A	A	A	A
1	2	3	4	5	6	7	8	9	10	11	12	13	14	15	16

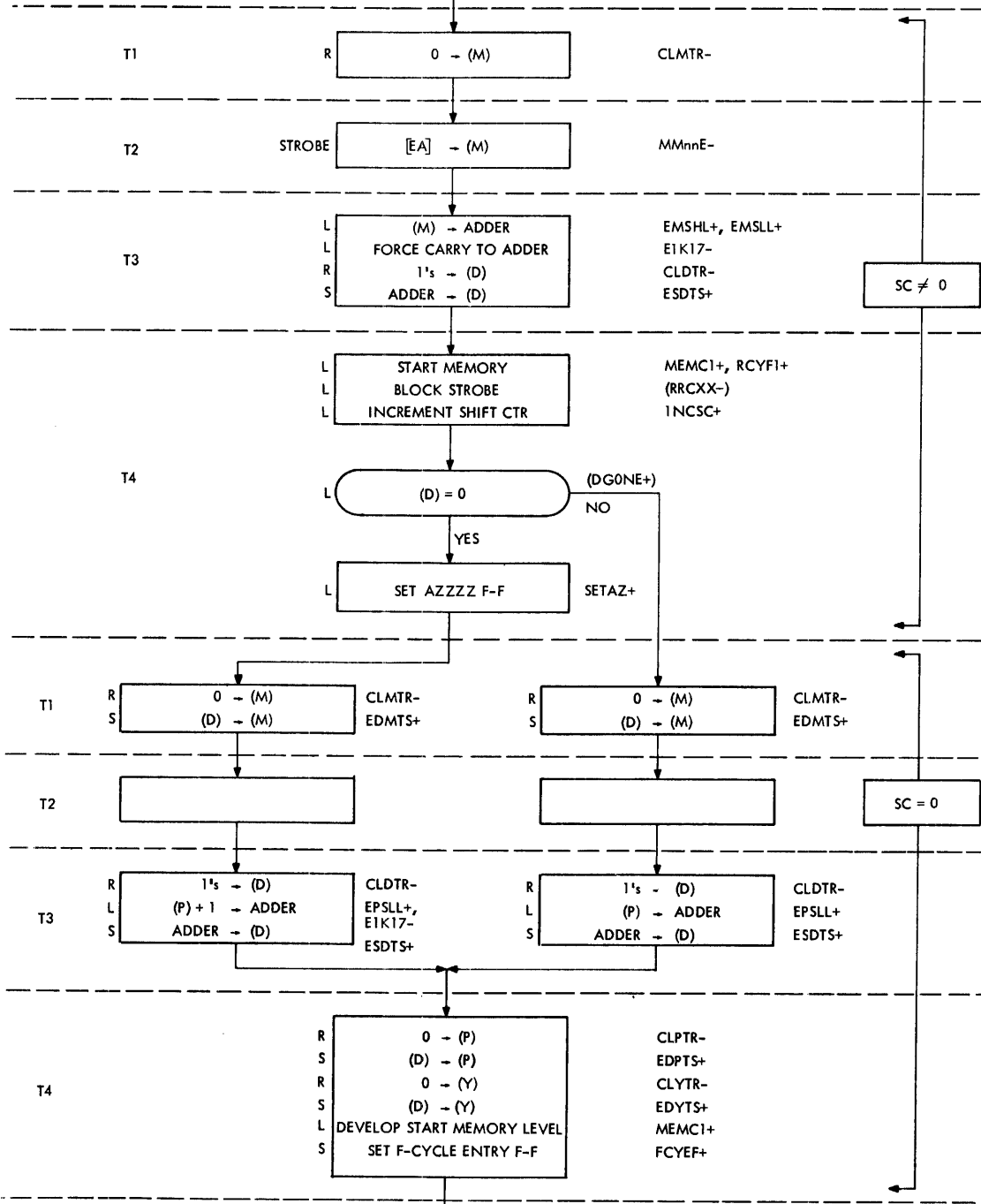
Execution Time (μ sec): 2.88

Signal	Origin	Cyc	Tim	Clk	Signal Component	Origin	Destination	Operation Description
ACYEF+	119-F4	F	TL4	L	(TL4FF+)(E0INS-)(F01CY+) [(M01FF-) @ 119-B5]	119-D5	119-H3	Set A-cycle at next TL1
E1CTS-	125-J8	F	TL4	S	(FCYLF+)(TL4FF+)(0PG3C+)*	125-A7	121-A8	Jam shift counter to ONEs
CLMTR-	128-K8	A	TL1	R	(MCRST+)(H0LDM-)(TL1FF+)	128-K8	101--116-H9	Reset M-register
MMnnE-	153/160				(SWnnA+)(STRB1+)	153/160	101--116-H8	Memory data set into M-register
EMSHL+	127-L8	A	TLATE		[(ACYLF+)(TLATE+)(SUB0P-) (0PGAA+)]	127-G8	101--108-A8	Enable M(1-8) to adder
EMSL+L	127-L10	A	TLATE			127-G8	109--116-A8	Enable M(9-16) to adder
CLDTR-	125-J5	A	TL3	R	(ANA0P-)(TL3FF+)	125-A6	101--116-E7	Clear D-register to ONEs
ESDTS+	125-L4	A	TL3	S	(TL3FF+)(10GRP-)	125-D6	101--116-D4/D6/D8	Enable adder sum to D-register
MEMC1+	126-J11	A	TL4	L	(MEMC1-)	126-G11	150-C1	Enable set RCYF1+
INCSC+	126-L3	A	TL4	L	(ACYLF+)(TL4FF+)	126-H4	121-A5	Enable step shift counter
RCYF1+	150-D1	A	TL4	S	(MCSET+)(MEMC1+)(RCYF1-)	150-C2	XXXX	Start memory cycle
[A1A24-D]	121-B5	A	TL4	S	(INCSC+)(SCZR0-)(MCSET+)	121-A5	121-X6	Step shift counter to ZERO
RRCXX-	126-L6	A* As*	TL4 TL3	L- L	(ACYEF+)(0PGWR+)(WR1NH-)	126-F6	150-D6	Block STRB1+ to enable memory write cycle
CLMTR-	128-K8	As	TL1	R	(MCRST+)(H0LDM-)(TL1FF+)	128-K8	101--116-H9	Reset M-register
EASTL+	127-L1	As	TL1	L	(ACYEF+)(TLATE-)(CAS0P-) (LSX0P-)(10GRP-)	127-J1	101--116-A5	Enable A-register to adder
ESMTS+	128-H10	As	TL1	S	(RRCXX-)(MAST0-)(0PGSM+) (TL1FF+)(MCSET+)	128-F10	101--116-G9	Enable adder RnnPA+ output into M-register
CLATR-	122-J7	As	TL2	R	(CLATL+)(MCRST+)*	122-H7	101--116-H5	Reset A-register
EDAHS+	122-L1	As	TL2	S	[(E0INS+)(TL2FF+)(0PGAA+) (0PGSM+)]	122-A4	101--108-G7	Enable D(1-8) into A(1-8)
EDALS+	122-L2	As	TL2	S		122-AH	109--116-G7	Enable D(9-16) into A(9-16)
CLYTR-	129-J3	As	TL4	R	(TL4FF+)(ACYNX-)*	129-D3	101--116-L11	Reset Y-register
FCYEF+	119-F10	As	TL4	L	(Set: (TL4FF+)(E0INS+))	119-D10	119-H9	Enable set FCYLF+ at next TL1FF+
EPYTS+	129-L5	As	TL4	S	(P1SEX-)(E0INS+)(TL4FF+) (0PGJS-)	129-D4	101--116-J11	Enable P-register into Y-register
MEMC1+	126-J11	As	TL4	L	(MEMC1-)	126-G11	150-C1	Enable set RCYF1+
RCYF1+	150-D1	As	TL4	S	(MCSET+)(MEMC1+)(RCYF1-)	150-C2	XXXX	Start memory cycle

*0PG3C+ @ 120-F9 = (1MA0P-), etc.
 *A/TL4/L - As/TL3/L \equiv (ACYLF+)(TL4FF+)(SCZR0-)V(ACYEF+)(SCZR0+)
 *A/ = A-cycle + SC \neq 0, As/ = A-cycle + SC = 0
 *(CLATL+) = (E0INS+)(TL2FF+)(0PGAA+)(0PGSM+) @ 122-A4
 *(ACYNX-) = ((ACYLF+)(LSX0P-)(CAS0P-)(SCZR0-))-@ 129-A1

ENTER A-CYCLE FROM INSTRUCTION WORD FETCH
OR LAST INDIRECT ADDRESS CYCLE
JAM SHIFT COUNTER TO ONE'S PRIOR TO ENTRY

EICTS- force shift count to -1

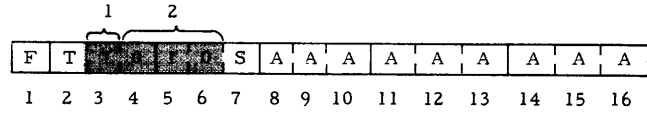


REAC/POST

CLEAR/WRITE

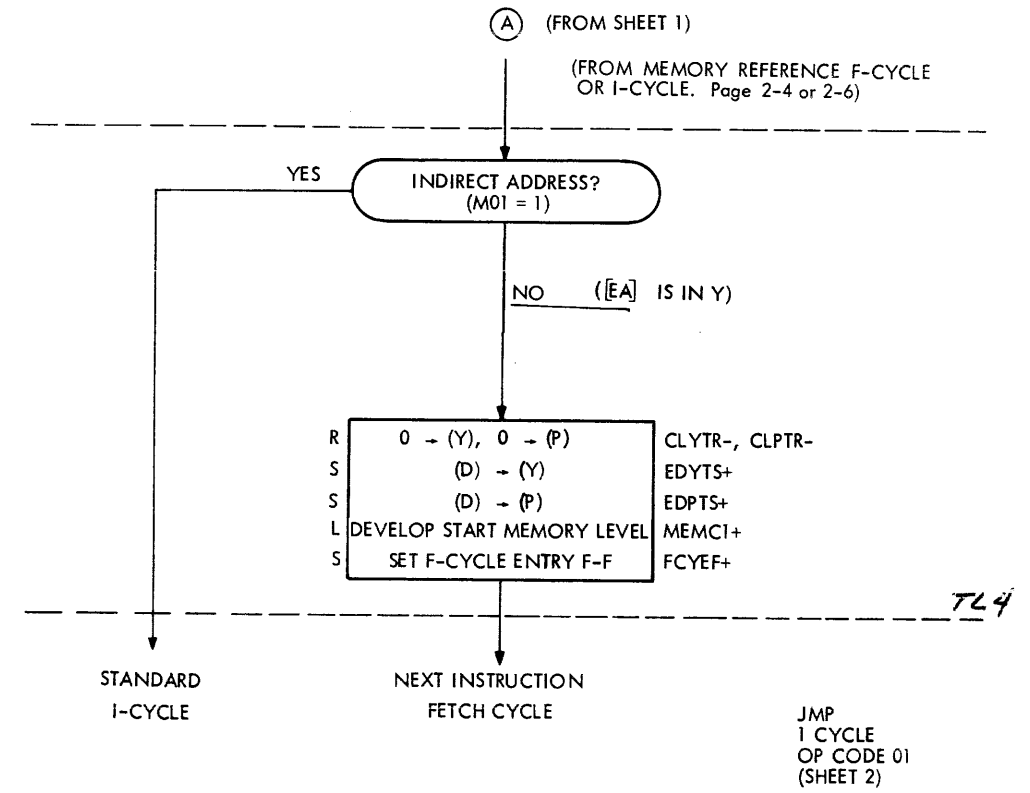
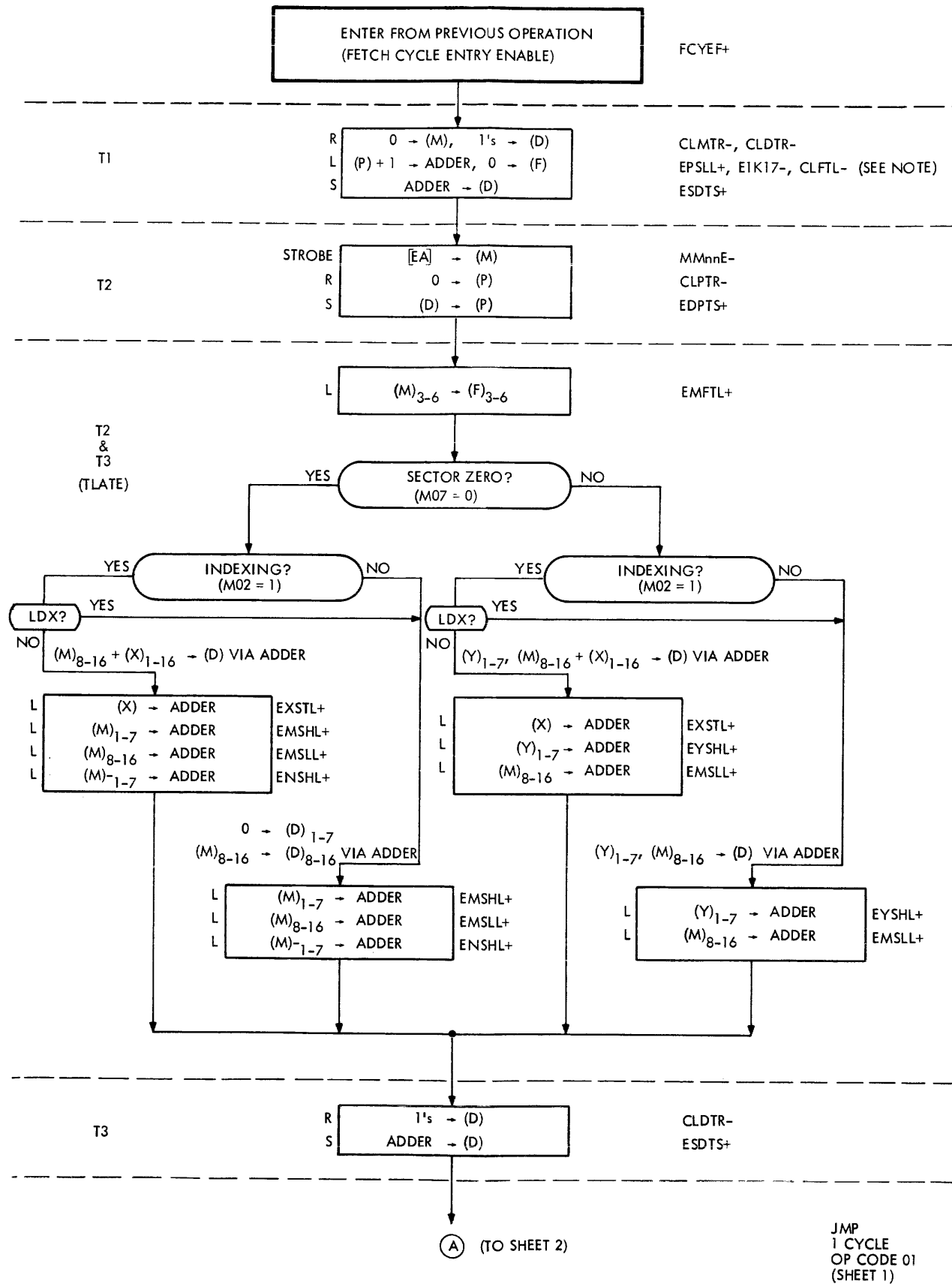
IRS
3 CYCLE
OP CODE 12

Instruction: Increment, Replace, and Skip (IRS)
 OP Code: 12 Type: MR, 3 cycles
 Description: [EA] + 1 → [EA]



Execution Time (μsec): 2.88

Signal	Origin	Cyc	Tim	Clk	Signal Component	Origin	Destination	Operation Description
ACYEF+	119-F4	F	TL4	L	(TL4FF+)(E01NS-) (M01ML-)(FCYLF+)	119-C5	119-H3	Set A-cycle F-F at next TL1
EICTS-	125-J8	F	TL4	S	(FCYLF+)(TL4FF+)(0PG3C+) (MCSET+)(AZZZZ-)	125-A7/ H9	121-A8	Jam shift counter to ONEs
CLMTR-	128-K8	A	TL1	R	(MCRST+)(H0LDM-)(TL1FF+)	128-K8	101--116-H9	Clear M-register
MMnnE-	153/160				(SWnnA+)(STRB1+)	153/160	101--116-H8	Memory data set into M-register
EMSHL+	127-L8	A	TL3	L	(ACYEF+)(IRS0P+)(SCZR0-)	127-E9	101--107-A8	Enable M(1-7) to adder
EMSLL+	127-L10	A	TL3	L	(ACYEF+)(IRS0P+)(SCZR0-)	127-E9	108--116-A8	Enable M(8-16) to adder
EIK17-	127-L4	A	TL3	L	(ACYEF+)(IRS0P+)(SCZR0-)	127-L4	116-D7-D9	Force carry to adder
CLDTR-	125-J5	A	TL3	R	(ANA0P-)(TL3FF+)	125-A6	101--116-E7	Clear D-register to ONEs
ESDTS+	125-L4	A	TL3	S	(TL3FF+)(10GRP-)(MCSET+)	125-D7/ H4	101--116-D4- D8	Enable adder sum to D-register
MEMC1+	126-J11	A	TL4	L	(TL4FF+)(SPMOD-)(TLAFF-)	126-F11/ H11	150-C1	Enable set RCYF1+
INCSC+	126-L3	A	TL4	L	(ACYLF+)(TL4FF+)	126-H4	121-A5	Increment shift counter
RCYF1+	150-D1	A	TL4	S	(MCSET+)(MEMC1+)(RCYF1-)	150-C2	150-D1	Start memory cycle
A1A24-D	121-B5	A	TL4	S	(INCSC+)(SCZR0-)(MCSET+)	121-A5	121-X6	Step shift counter to ZERO
RRCXX-	126-L6	A	TL4	L	(ACYEF+)(0PGWR+)(WR1NH-)	126-F6	150-D6	Block STRB1+ to enable memory write cycle
DG0NE+	126-D9	A	TL4	L	(D01FF-) through (D16FF-)	126-A9	125-D11	D-register 1-16 equals ZERO
SETAZ+	125-J10	A	TL4	L	(0PGNS+)(ACYLF+)(DG0NE+)	125-D11	125-J10	Set AZZZZ+ F-F
CLMTR-	128-K8	A	TL1	R	(MCRST+)(H0LDM-)(TL1FF+)	128-K8	101--116-H9	Clear M-register
EDMTS+	128-H11	A	TL1	S	(RRCXX-)(0PGSM-)(TL1FF+)	128-F11	101--116-G8	Enable D-register to M-register
EIK17-	127-L4	A	TL3	L	(ACYEF+)(IRS0P+)(AZZZZ+)	127-E5	116-D7-D9	Force carry to adder
EPSLL+	128-H4	A	TL3	L	(E01NS+)(IRS0P+)	128-F4	101--116-A10	Enable P-register to adder
CLDTR-	125-J5	A	TL3	R	(ANA0P-)(TL3FF+)(MCRST+)	125-A6	101--116-E7	Clear D-register to ONEs
ESDTS+	125-L4	A	TL3	S	(TL3FF+)(10GRP-)(MCSET+)	125-D6	101--116-D4- D8	Enable adder sum to D-register
CLPTR-	129-H10	A	TL4	R	(0PGJS+)(E01NS+)(TL4FF+)	129-D9	101--116-H10	Clear P-register
EDPTS+	129-L9	A	TL4	S	(0PGJS+)(E01NS+)(TL4FF+)	129-D9	101--116-G11	Enable D-register into P-register
CLYTR-	129-J3	A	TL4	R	(ACYNX-)(TL4FF+)(MCRST+)	129-D3	101--116-L11	Clear Y-register
EDYTS+	129-L1	A	TL4	S	(MCSET+)(TL4FF+)(SCZR0-) (E01NS-)(0PGJS-)	129-H1 H2	101--116-G10	Enable D-register into Y-register
MEMC1+	126-J11	A	TL4	L	(TL4FF+)(SPMOD-)(TLAFF-)	126-F11/ H11	150-C1	Enable set RCYF1+
RCYF1+	150-D1	A	TL4	S	(MCSET+)(MEMC1+)(RCYF1-)	150-C2	150-D1	Start memory cycle



Instruction: Unconditional Jump (JMP)

OP Code: 01 Type: MR, 1 cycle

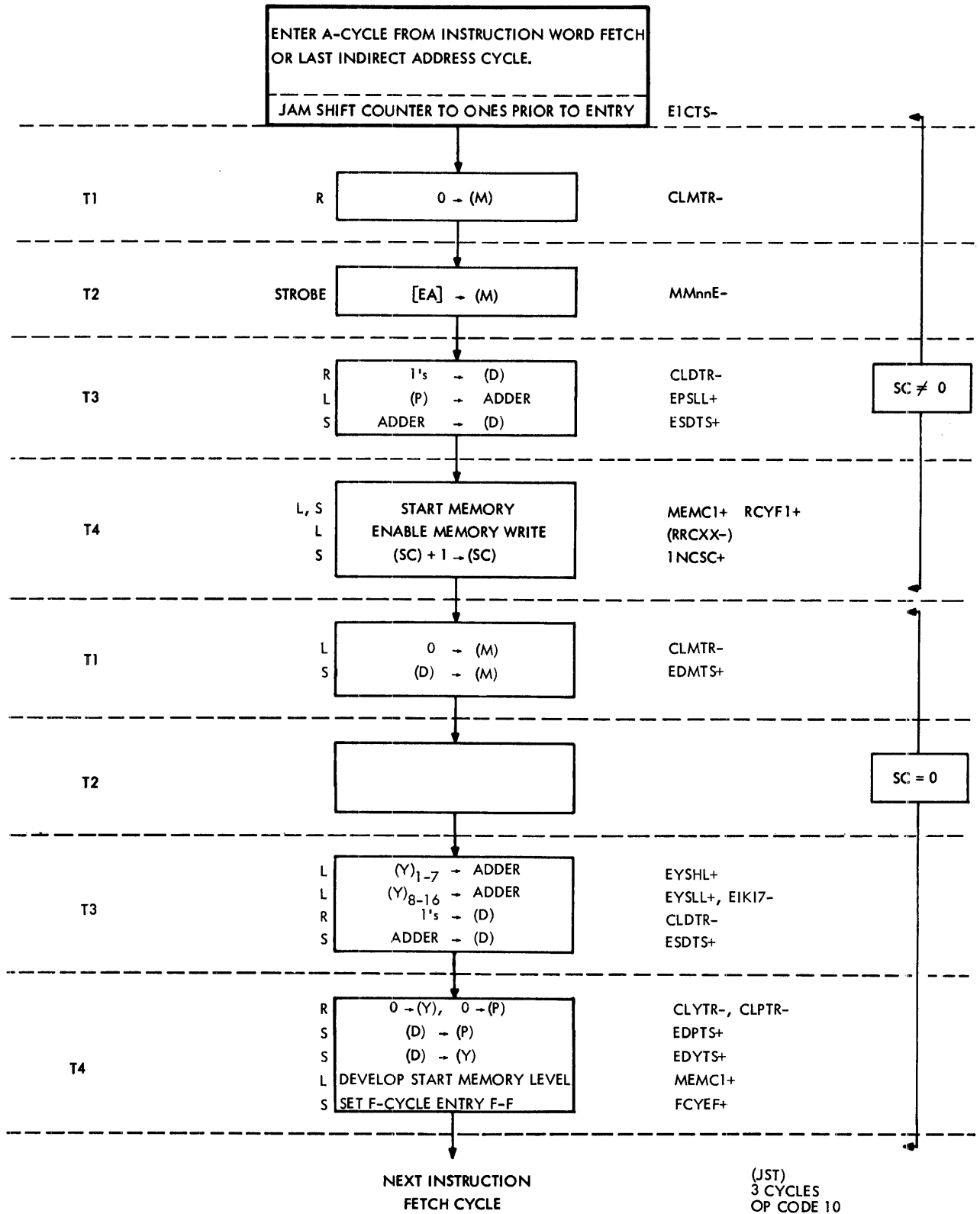
Description: EA → (P)

F	T	0	0	0	1	S	A	A	A	A	A	A	A	A	A
1	2	3	4	5	6	7	8	9	10	11	12	13	14	15	16

Execution Time (μsec): 0.96

Signal	Origin	Cyc	Tim	Clk	Signal Component	Origin	Destination	Operation Description
EPSLL+	128-H4	F	TLATE	L	(FCYEF+)(TLATE-)	128-F3	101--116-A10	Enable P-register to adder
E1K17-	127-L4	F	TLATE	L	(TLATE-)	127-J5	116-D7-D9	Force carry to adder
CLMTR-	128-K8	F	TL1	R	(MCRST+)(HOLDM-)(TL1FF+)	128-K8	101--116-H9	Clear M-register
CLDTR-	125-J5	F	TL1	R	(1CYEF-)(ACYEF-)(TL1FF+)(MCRST+)	125-A5	101--116-E7	Clear D-register to ONEs
CLFTL-	125-J7	F	TL1	R	(1CYEF-)(ACYEF-)(TL1FF+)(MCRST+)	125-A5	120-B1 121-A5 125-L10	Clear F-register Clear shift counter Clear AZZZZ F-F
ESDTS+	125-L4	F	TL1	S	(1CYEF-)(ACYEF-)(TL1FF+)(MCSET+)	125-A5	101--116-D4-D8	Enable adder sum to D-register
MMnnE-	153/160				(SWnnA+)(STRB1+)	153/160	101--116-H8	Memory data set into M-register
CLPTR-	129-J10	F	TL2	R	(EDPTL+)(MCRST+)*	129-H10	101--116-H10	Clear P-register
EDPTS+	129-L9	F	TL2	S	(EDPTL+)(MCSET+)	129-H9	101--116-G11	Enable D-register into P-register
EMFTL+	128-K3	F	TLATE	L	[(M07FF+)v(M07FF-)]∧ [(FCYLF+)(TLATE+)(GEN0P-)(MEMAC-)]	127-G4	120-A2	Enable M(3-6) into F(3-6)
EMFTL-	128-K3	F	TLATE	L	See EMFTL+ (M07FF+)	127-G4	127-L9	Generate EMSHL+ and ENSHL+
EXSTL+	128-K5	F	TLATE	L	(F01CY+)(MEMAC-)(M03FF-)(GEN0P-)(MEMAC-)(M03FF+)	128-H6	101--116-A5	Enable X-register to adder
EMSHL+	127-L8	F	TLATE	L	(FCYS0-)	127-G4	101--107-A8	Enable M(1-7) to adder
ENSHL+	127-L7	F	TLATE	L	(FCYS0-)	127-G4	101--107-A9	Enable M-(1-7) to adder
EMSLL+	127-L9	F	TLATE	L	(FCYS0-)	127-G4	108--116-A8	Enable M(8-16) to adder
EYSHL+	128-K3	F	TLATE	L	(FCYLF+)(TLATE+)(GEN0P-)(MEMAC-)(M07FF+)	128-J3	101--107-A1.	Enable Y(1-7) to adder
CLDTR-	125-J5	F	TL3	R	(ACYLF-)(TL3FF+)(MCRST+)	125-D5	101--116-E7	Clear D-register to ONEs
ESDTS+	125-L4	F	TL3	S	(10GRP-)(TL3FF+)(MCSET+)	125-D6	101--116-D4-D8	Enable adder sum to D-register
CLYTR-	129-J3	F	TL4	R	(ACYNX-)(TL4FF+)(MCRST+)	129-A1/ D3	101--116-L11	Clear Y-register
CLPTR-	129-J10	F	TL4	R	(0PGJS+)(E01NS+)(TL4FF+)(MCRST+)	129-D9/ H10	101--116-H10	Clear P-register
EDPTS+	129-L9	F	TL4	S	(0PGJS+)(E01NS+)(TL4FF+)(MCSET+)	129-D9/ H9	101--116-H11	Enable D-register into P-register
EDYTS+	129-L1	F	TL4	S	(ACYNX-)(MCSET+)(TL4FF+)(BREQ-)(0PGJS-)	129-H1	101--116-G10	Enable D-register into Y-register
MEMC1+	126-J11	F	TL4	L	(TL4FF+)(SPMOD-)(TL4FF-)	126-F11/ H11	150-C1	Enable set RCYF1+
RCYF1+	150-D1	F	TL4	S	(MCSET+)(MEMC1+)(RCYF1-)	150-C2	150-D1	Start memory cycle

* See gate A1A44-F at 129-D7 for EDPTL+



NOTE: FLAG AND TAG BITS ARE PRESERVED BY H02DJ+, 136-F6
FOR EXTENDED ADDRESSING

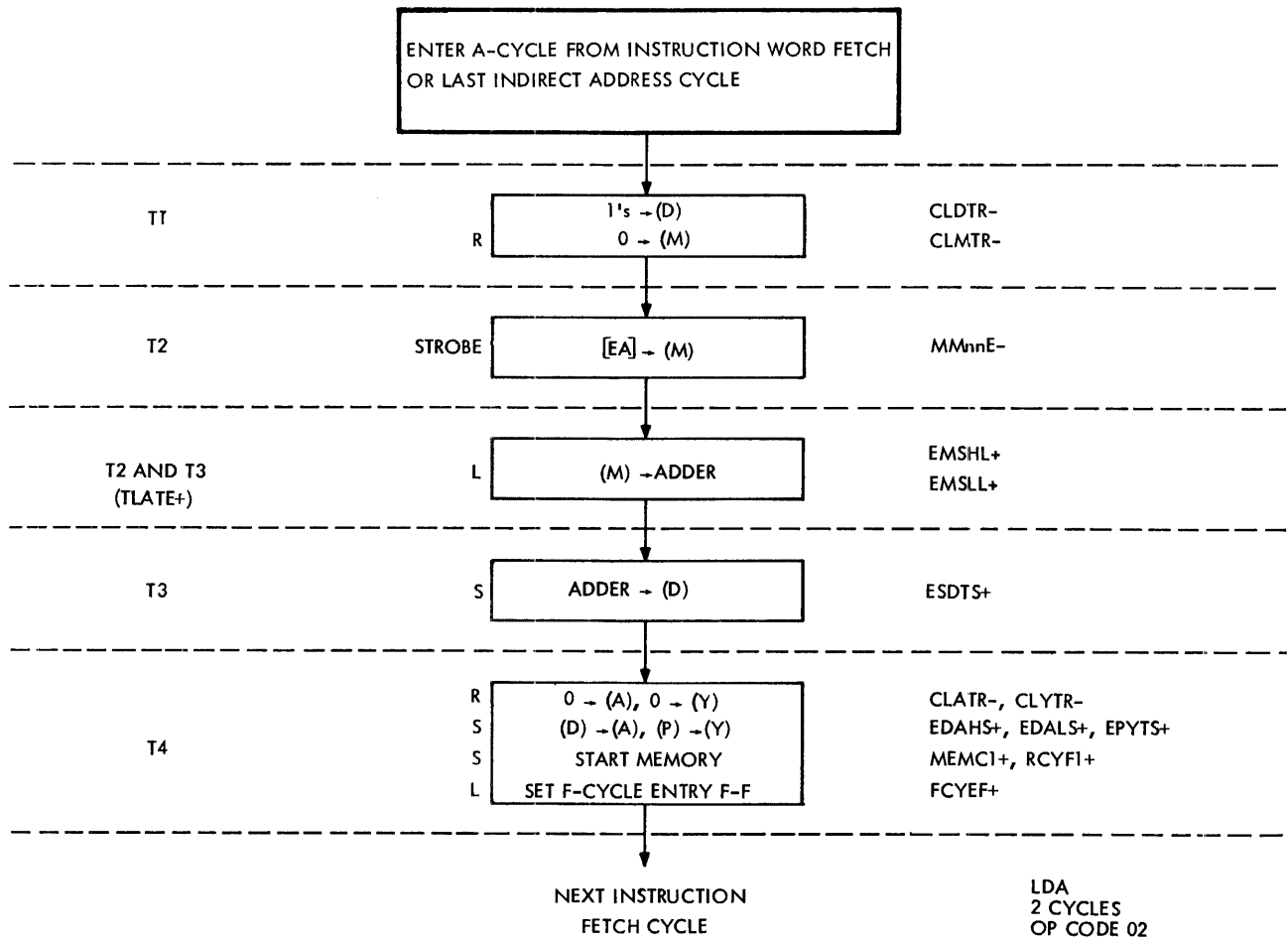
Instruction: Jump and Store Location (JST)
 OP Code: 10 Type: MR, 3 cycles
 Description: (P)₃₋₁₆ → [EA]₃₋₁₆
 [EA] + 1 → (P)

F	T	1	0	0	0	S	A	A	A	A	A	A	A	A	A
1	2	3	4	5	6	7	8	9	10	11	12	13	14	15	16

Execution Time (μsec): 2.88

Signal	Origin	Cyc	Tim	Clk	Signal Component	Origin	Destination	Operation Description
ACYEF+	119-F4	F	TL4	L	(TL4FF+)(E01NS-)(F01CY+) [(M01FF-) at 119-B5]	119-D5	119-H3	Set A-cycle at next TL1
E1CTS-	125-J8	F	TL4	S	(FCYLF+)(TL4FF+)(0PG3C+)	125-A7	121-A8	ONES to shift counter
CLMTR-	128-K8	A	TL1	R	(MCRST+)(HOLDM-)(TL1FF+)	128-K8	101--116-H9	Clear M-register
MMnnE-	153/160				(SWnnA+)(STRB1+)	153/160	101--116-H8	Memory data set into M-register
CLDTR-	125-J5	A	TL3	R	(ANA0P-)(TL3FF+)(MCRST+)	125-A6	101--116-E7	Clear D-register to ONES
EPSLL+	128-H4	A	TL3	L	(ACYEF+)(JST0P+)(SCZR0-)	128-F5	101--116-A10	Enable P-register to adder
ESDTS+	125-L4	A	TL3	S	(TL3FF+)(10GRP-)(MCSET+)	125-D6	101--116-D4-D8	Enable adder sum to D-register
MEMC1+	126-J11	A	TL4	L	(MEMC1-)	126-G11	150-C1	Enable set RCYF1+
INCSC+	126-L3	A	TL4	L	(ACYLF+)(TL4FF+)	126-H4	121-A5	Enable step shift counter
A1A24-D	121-B5	A	TL4	S	(INCSC+)(SCZR0-)(MCSET+)	121-A5	121-A5	Shift counter to ZEROs
RCYF1+	150-D1	A	TL4	S	(MCSET+)(MEMC1+)(RCYF1-)	150-C2		Start memory cycle
RRCX-	126-L6	A	TL4	L	(ACYEF+)(0PGWR+)(WR1NH-)	126-F6	150-D6	Block STRB1+ and enable MWC*
(See INCSC- for WR1NH- and JST0P- for 0PGWR+ at 126-D7 and 126-D6, respectively)								
CLMTR-	128-K8	A	TL1	R	(See CLMTR- above)			
EDMTS+	128-H11	A	TL1	S	(RRCX-)(0PGSM-)(MAST0-)(TL1FF+)(MCSET+)	128-F11	101--116-G8	Enable D-register into M-register
EYSHL+	128-K3	A	TL3	L	(ACYEF+)(JST0P+)(SCZR0+)	128-H2	101--107-A11	Y(1-7) to adder
EYSL+	128-K2	A	TL3	L	(ACYEF+)(JST0P+)(SCZR0+)	128-H2	108--116-A11	Y(8-16) to adder
E1K17-	127-L4	A	TL3	L	(EYSL-)	127-J5	116-D7	Force carry to adder
CLDTR-	125-J5	A	TL3	R	(ANA0P-)(TL3FF+)(MCRST+)	125-A6	101--116-E7	Clear D-register to ONES
ESDTS+	125-L4	A	TL3	S	(TL3FF+)(10GRP-)(MCSET+)	125-D6	101--116-D4-D8	Enable adder sum to D-register
CLYTR-	129-J3	A	TL4	R	(ACYNX-)(TL4FF+)(MCRST+)	129-A1/D3	101--116-L11	Clear Y-register
CLPTR-	129-J10	A	TL4	R	(0PGJS+)(E01NS+)(TL4FF+)(MCRST+)	129-D7/H10	101--116-H10	Clear P-register
EDPTS+	129-L9	A	TL4	S	(0PGJS+)(E01NS+)(TL4FF+)(MCSET+)	129-D7/H9	101--116-H11	Enable D-register into P-register
EDYTS+	129-L1	A	TL4	S	(ACYNX-)(MCSET+)(TL4FF+)(BRREQ-)(0PGJS-)	129-H1	101--116-G10	Enable D-register into Y-register
MEMC1+	126-J11	A	TL4	L	(TL4FF+)(SPMOD-)(TLAFF-)	126-F11/A11	150-C1	Enable set RCYF1+
RCYF1+	150-D1	A	TL4	S	(MCSET+)(MEMC1+)(RCYF1-)	150-C2	150-D1	Start memory cycle

*MWC = Memory write cycle



3395

Instruction: Load A (LDA)

OP Code: 02 Type: MR, 2 cycle

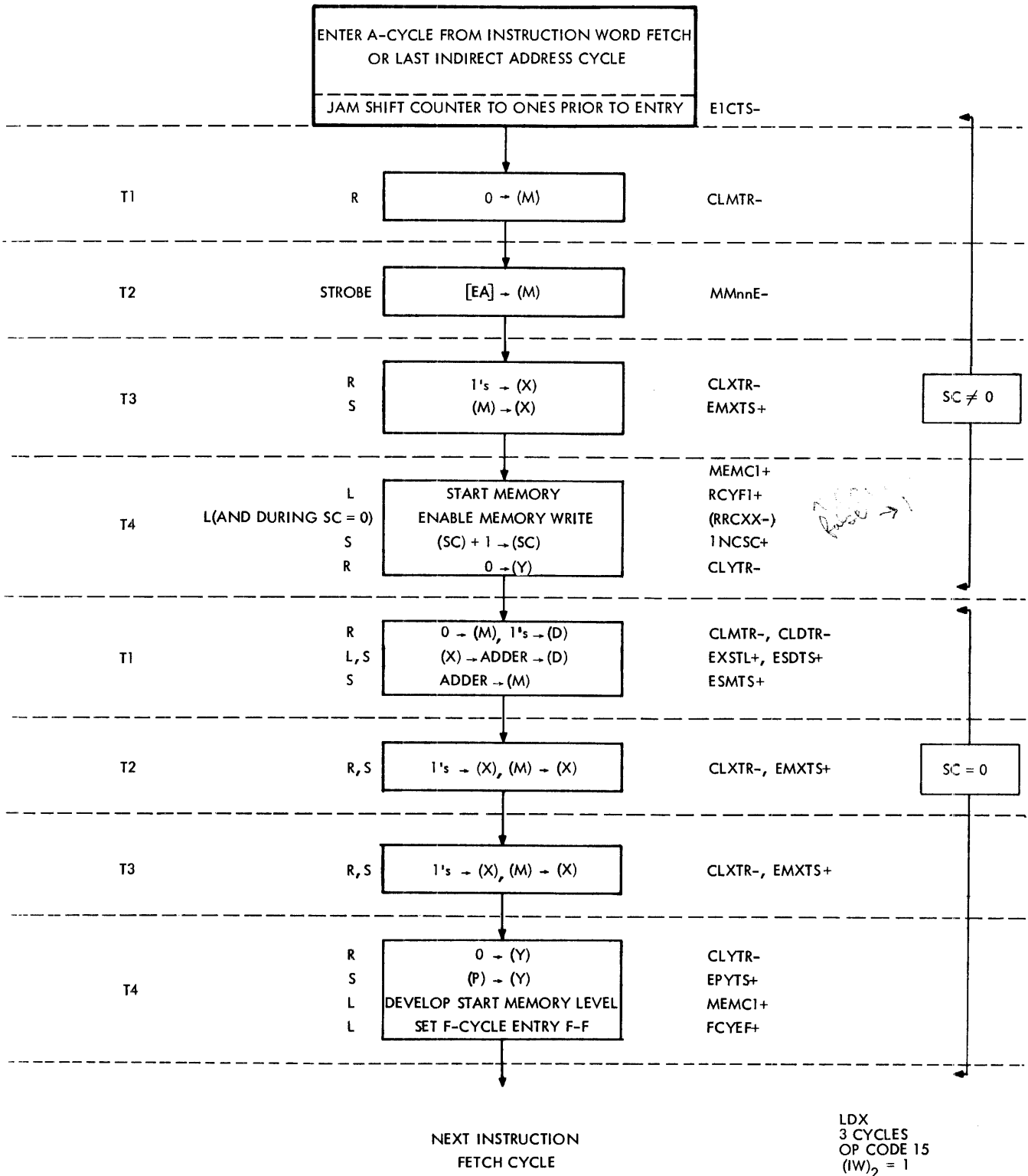
Description: (EA) → (A)

F	T	0	1	0	S	A	A	A	A	A	A	A	A	A	A
1	2	3	4	5	6	7	8	9	10	11	12	13	14	15	16

Execution Time (μsec): 1.92

Signal	Origin	Cyc	Tim	Clk	Signal Component	Origin	Destination	Operation Description
ACYEF+	119-F4	F	TL4	L	(TL4FF+)(E01NS-)(F01CY+) [(M01FF-) @ 119-B5]	119-D5	119-H3	Set A-cycle at next TL1
CLDTR-	125-J6	A	TL1	R	(ACYEF+)(TL1FF+)(JST0P-) (1RS0P-)(1MA0P-)	125-D4	101--116-E7	Clear D-register to ONEs
CLMTR-	128-K8	A	TL1	R	(MCRST+)(H0LDM+)(TL1FF+)	128-K8	101--116-H9	Reset M-register
MMnnE-	153/160				(SWnnA+)(STRB1+)	153/160	101--116-H8	Memory data set into M-register
EMSHL+	127-L8	A	TLATE		[(ACYLF+)(TLATE+) (SUB0P-)(0PGAA+)]	127-G8	101--108-A8	Enable M(1-7) to adder
EMSL+L+	127-L10	A	TLATE			127-G8	109--116-A8	Enable M(8-16) to adder
ESDTS+	125-L4	A	TL3	S	(TL3FF+)(10GRP-)	125-D6	101--116- D4/D6/D8	Enable adder sum to D-register
CLATR-	122-J7	A	TL4	R	(CLATL+)(MCRST+)*	122-H7	101--116-H5	Reset A-register
CLYTR-	129-J3	A	TL4	R	(TL4FF+)(ACYNX-)**	129-D3	101--116-L11	Reset Y-register
EDAHS+	122-L1	A	TL4	S	[(ACYLF+)(TL4FF+) (0PGAA+)(1MA0P-)]	122-D3	101--108-G7	Enable D(1-8) into A(1-8)
EDALS+	122-L2	A	TL4	S		122-D3	109--116-G7	Enable D(9-16) into A(9-16)
EPYTS+	129-L5	A	TL4	S	(P1SEX-)(E01NS+)(TL4FF+) (0PGJS-)	129-D4	101--116-J11	Enable P-register into Y-register
FCYEF+	119-F10	A	TL4	L	[Set: (TL4FF+)(E01NS+) (DMCRQ-)(P1SEX-)]	119-D10	119-H10	Enable set FCYLF+ at next TL1FF+
MEMC1+	126-J11	A	TL4	L	(MEMC1-)	126-G11	150-C1	Enable set RCYF1+
RCYF1+	150-D1	A	TL4	S	(MCSET+)(MEMC1+) (RCYF1-)	150-C2	XXXX	Start memory cycle

* (CLATL+) @ 122-F7 = (ACYLF+)(TL4FF+)(0PGAA+)(1MA0P-) @ 122-D3
** (ACYNX-) @ 129-B1 = ((ACYLF+)(LSX0P-) (CAS0P-)(SCZR0-)) - @ 129-A1

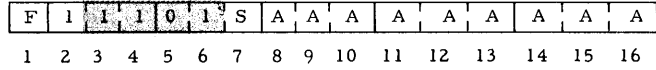


3393

Instruction: Load Index Register (LDX)

OP Code: 15

Type: MR, 3 cycle



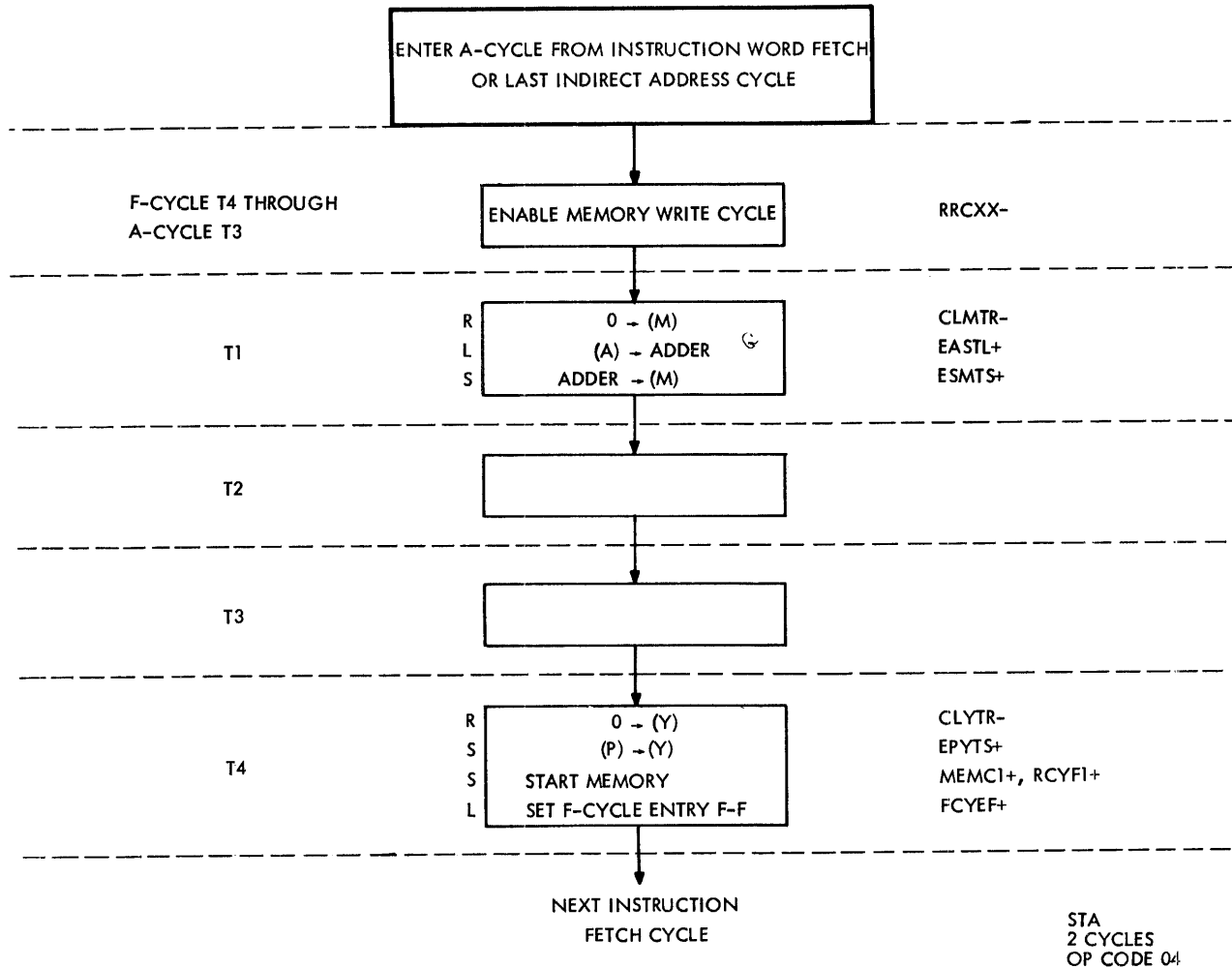
Description: (EA) → X Note: Bit 2 of 1W must be set
 X → (0)

Execution Time (μsec): 2.88

Signal	Origin	Cyc	Tim	Clk	Signal Component	Origin	Destination	Operation Description
ACYEF+	119-F4	F	TL4	L	(TL4FF+)(E01NS-)(F01CY+) [(M01FF-) @ 119-B5]	119-D4	119-H3	Set A-cycle at next TL1
E1CTS-	125-J8	F	TL4	S	(FCYLF+)(TL4FF+)(0PG3C+)*	125-A7	121-A8	Jam shift counter to ONEs
CLMTR-	128-K8	A	TL1	R	(MCRST+)(H0LDM-)(TL1FF+)	128-K8	101--116-H9	Reset M-register
MMnnE-	153/160				(SWnnA+)(STRB1+)	153/160	101--116-H8	Memory data set into M-register
CLXTR-	128-F8	A	TL3	R	(ACYLF+)(TL3FF+)(LSX0P+)	128-B9	101--116-L8	Clear X-register to ONEs
EMXTS+	128-H7	A	TL3	S	(ACYLF+)(TL3FF+)(LSX0P+)	128-B9	101--116-J9	Enable M-register into X-register
INCSC-	126-J3	A	TL4	L	(ACYLF+)(TL4FF+)	126-H4	126-D7	Reset WRINH+ F-F
INCSC+	126-L3	A	TL4	L	(INCSC-)	126-J3	121-A5	Enable step shift counter from all ONEs to ZEROs
MEMC1+	126-J11	A	TL4	L	(MEMC1-)	126-G11	150-C1	Enable set RCYF1+
RCYF1+	150-D1	A	TL4	S	(MCSET+)(MEMC1+)(RCYF1-)	150-C2	XXXX	Start memory cycle
RRCXX-	126-L6	A	**	L	(ACYEF+)(0PGWR+)(WRINH-)	126-F6	150-D6	Block STRB1+ to enable memory write cycle
CLYTR-	129-J3	A	TL4	R	(ACYNX-)(TL4FF+)	129-D3	101--116-L11	Reset Y-register (address location ZERO in memory)
EXSTL+	128-K5	A	TL1	L	(ACYEF+)(TLATE-)(LSX0P+)	128-H5	101--116-A5	Enable X-register to adder
CLMTR-	128-K8	A	TL1	R	(MCRST+)(H0LDM-)(TL1FF+)	128-K8	101--116-H9	Reset M-register
CLDTR-	125-J5	A	TL1	R	(ACYEF+)(TL1FF+)(JST0P-) (IRS0P-)(IMA0P-)	125-D4	101--116-E7	Clear D-register to ONEs
ESDTS+	125-L4	A	TL1	S	(ACYEF+)(TL1FF+)(JST0P-) (IRS0P-)(IMA0P-)	125-D4	101--116-D4/D6/D8	Enable adder sum into D-register
ESMTS+	128-H10	A	TL1	S	(RRCXX-)(MAST0-)(0PGSM+) (TL1FF+)(MCSET+)	128-F10	101--116-G9	Enable adder RnnPA+ output into M-register
CLXTR-	128-F8	A	TL3	R	(ACYLF+)(TL3FF+)(LSX0P+)	128-B9	101--116-L8	Clear X-register to ONEs
EMXTS+	128-H7	A	TL3	S	(ACYLF+)(TL3FF+)(LSX0P+)	128-B9	101--116-J9	Enable M-register into X-register
CLYTR-	129-J3	A	TL4	R	(TL4FF+)(ACYNX-)**	129-D3	101--116-L11	Reset Y-register
FCYEF+	119-F10	A	TL4	L	(Set: (TL4FF+)(E01NS+)	119-D10	119-H9	Enable set FCYLF+ at next TL1FF+
EPYTS+	129-L5	A	TL4	S	(P1SEX-)(E01NS+)(TL4FF+) (0PGJS-)	129-D4	101--116-J11	Enable P-register into Y-register
MEMC1+	126-J11	A	TL4	L	(MEMC1-)	126-G11	150-C1	Enable set RCYF1+
RCYF1+	150-D1	A	TL4	S	(MCSET+)(MEMC1+)(RCYF1-)	150-C2	XXXX	Start memory cycle

*(0PG3C+) @ 120-F9 = (DP0LX-), etc.
 (DP0LX-) = (LSX0P+)(M02FF+) @ 124-H11
 **See WRINH Set and reset timing

*** (ACYNX-) = ((ACYLF+)(LSX0P-)(CAS0P-)(SCZR0-)) - @ 129-A1



3394

Instruction: Store A (STA)

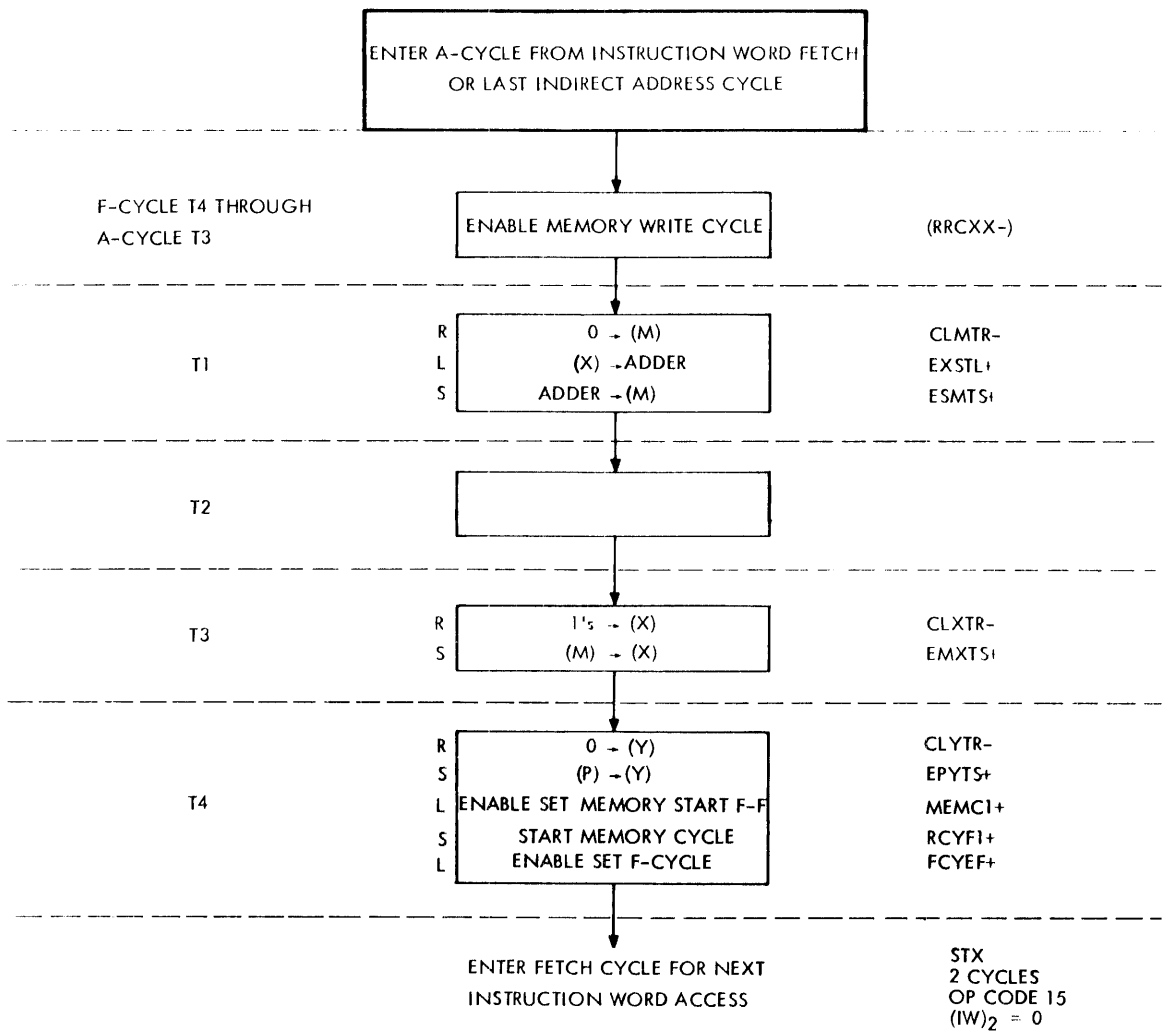
OP Code: 04 Type: MR, 2-cycle

Description: (A) -> (EA)

F	T	0	1	0	0	S	A	A	A	A	A	A	A	A	A
1	2	3	4	5	6	7	8	9	10	11	12	13	14	15	16

Execution Time (μsec): 1.92

Signal	Origin	Cyc	Tim	Clk	Signal Component	Origin	Destination	Operation Description
ACYEF+	119-F4	F	TL4	L	(TL4FF+)(E0INS-)(F01CY+) [(M01FF-) @ 119-B5]	119-D5	119-H3	Set A-cycle at next TL4
RRCXX-	126-L6	F	TL4 thru TL3	L	(ACYEF+)(0PGWR+)(WRINH-)	126-F6	150-D6	Block STRB1+ to enable memory write cycle
CLMTR-	128-K8	A	TL1	R	(MCRST+)(H0LDM-)(TL1FF+)	128-K8	101--116-H9	Reset M-register
EASTL+	127-L1	A	TL1	L	(ACYEF+)(TLATE-)(CAS0P-) (LSX0P-)(10GRP-)	127-J1	101--116-A5	Enable A-register to adder
ESMST+	128-H10	A	TL1	S	(RRCXX-)(MAST0-)(0PGSM+) (TL1FF+)(MCSET+)	128-F10	101--116-G9	Enable adder RnnPA+ output into M-register
		A	TL2	L				
		A	TL3	L				
CLYTR-	129-J3	A	TL4	R	(TL4FF+)(ACYNX-)*	129-D3	101--116-L11	Reset Y-register
EPYTS+	129-L5	A	TL4	S	(P1SEX-)(E0INS+)(TL4FF+) (0PGJS-)	129-D4	101--116-J11	Enable P-register into Y-register
FCYEF+	119-F10	A	TL4	L	(Set: (TL4FF+)(E0INS+))	119-D10	119-H10	Enable set FCYLF+ at next TL1FF+
MEMC1+	126-J11	A	TL4	L	(MEMC1-)	126-G11	150-C1	Enable set RCYF1+
RCYF1+	150-D1	A	TL4	S	(MCSET+)(MEMC1+) (RCYF1-)	150-C2	XXXX	Start memory cycle
<p>* (ACYNX-) = ((ACYLF+)(LSX0P-)(CAS0P-)(SCZR0-))- @ 129-A1</p>								

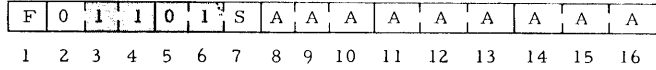


3399

Instruction: Store Index Register (STX)

OP Code: 15

Type: MR, 2-cycle

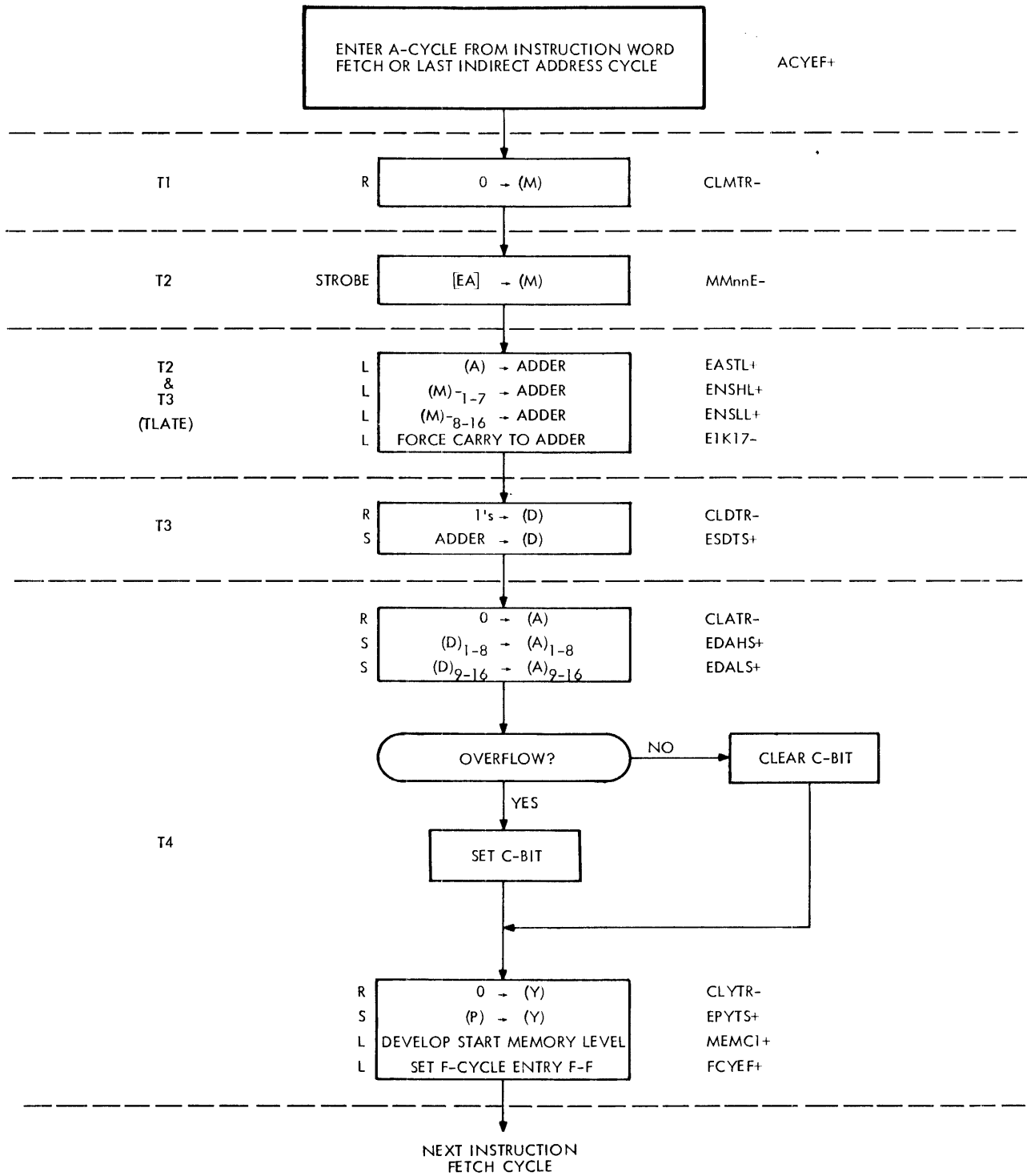


Description: (X) → (EA) Note: Bit 2 of 1W must be reset

Execution Time (μsec): 1.92

Signal	Origin	Cyc	Tim	Clk	Signal Component	Origin	Destination	Operation Description
ACYEF+	119-F4	F	TL4	L	(TL4FF+)(E01NS-)(F01CY) [(M01FF-) @ 119-B5]	119-D5	119-H3	Set A-cycle at next TL1
RRCXX-	126-L6	F	TL4	L-	(ACYEF+)(0PGWR+)(WRINH-)	126-F6	150-D6	Block STRB1+ to enable memory write cycle
EXSTL+	128-K5	A	TL1	L	(ACYEF+)(TLATE-)(LSX0P+)	128-H5	101--116-A5	Enable X-register to adder
CLMTR-	128-K8	A	TL1	R	(MCRST+)(H0LDM-)(TL1FF+)	121-K8	101--116-H9	Reset M-register
ESMST+	128-H10	A	TL1	S	(RRCXX-)(MAST0-)(0PGSM+) (TL1FF+)(MCSET+)	128-F10	101--116-G9	Enable adder RnnPA+ output into M-register
CLXTR-	128-F8	A	TL3	R	(ACYLF+)(TL3FF+)(LSX0P+)	128-B8	101--116-L8	Clear X-register to ONEs
EMXTS+	128-H7	A	TL3	S	(ACYLF+)(TL3FF+)(LSX0P+)	128-B8	101--116-J9	Enable M-register into X-register
CLYTR-	129-J3	A	TL4	R	(TL4FF+)(ACYNX-)*	129-D3	101--116-L11	Reset Y-register
FCYEF+	119-F10	A	TL4	L	(Set: (TL4FF+)(E01NS+))	119-D10	119-H9	Enable set FCYLF+ at next TL1FF+
EPYTS+	129-L5	A	TL4	S	(P1SEX-)(E01NS+)(TL4FF+) (0PGJS-)	129-D4	101--116-J11	Enable P-register into Y-register
MEMC1+	126-J11	A	TL4	L	(MEMC1-)	126-G11	150-C1	Enable set RCYF1+
RCYF1+	150-D1	A	TL4	S	(MCSET+)(MEMC1+)(RCYF1-)	150-C2	XXXX	Start memory cycle

* (ACYNX-) = ((ACYLF+)(LSX0P-)(CAS0P-)(SCZR0-))- @ 129-A1



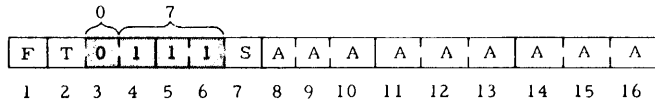
SUB
2 CYCLES
OP CODE 07

Instruction: Subtract (SUB)

OP Code: 07

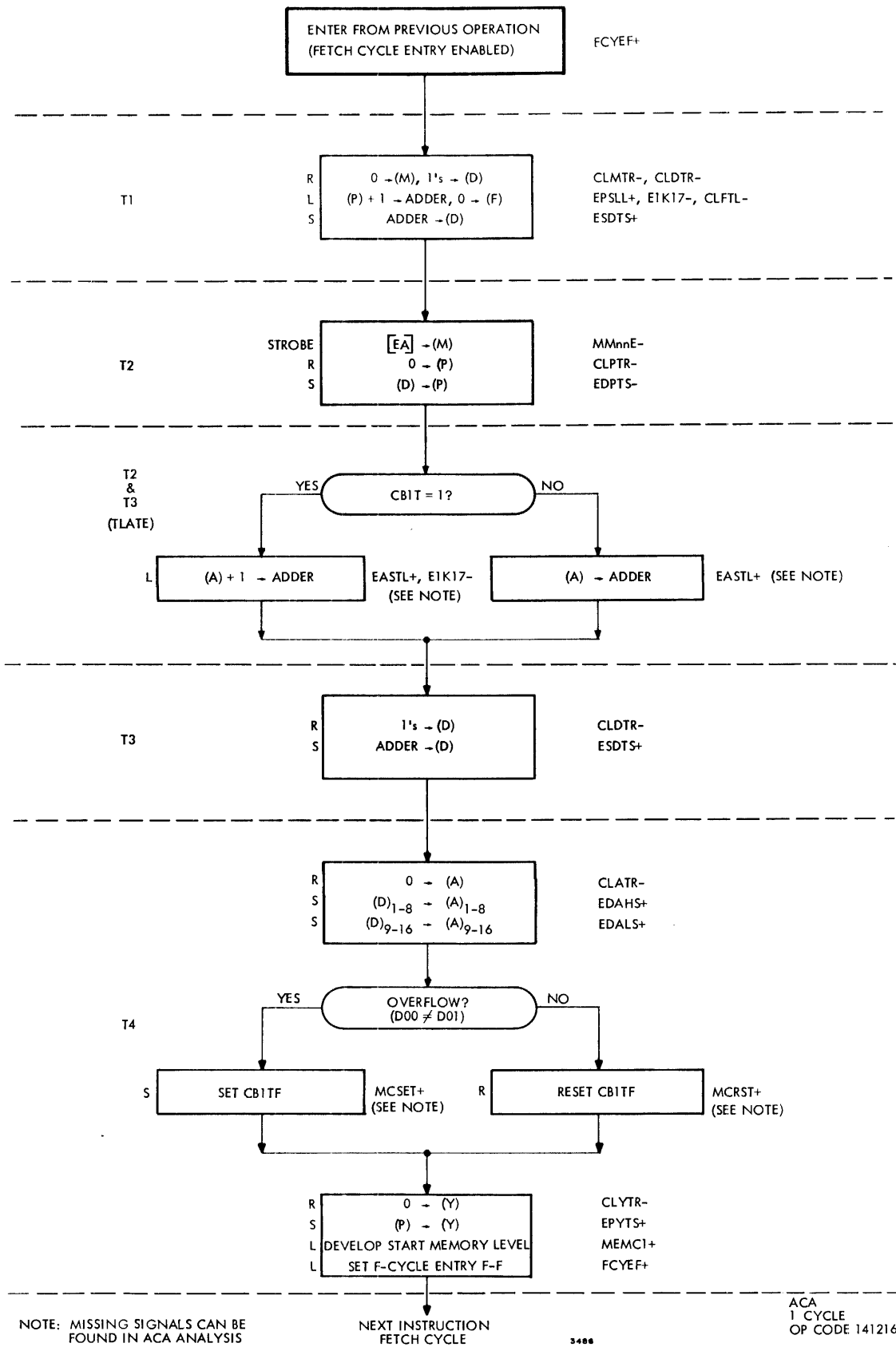
Type: MR, 2 cycles

Description: (A) - (EA) → (A)
OVF → (C)



Execution Time (μsec): 1.92

Signal	Origin	Cyc	Tim	Clk	Signal Component	Origin	Destination	Operation Description
CLMTR-	128-K8	A	TL1	R	(MCRST+)(HOLDM-)(TL1FF+)	128-K8	101--116-H9	Clear M-register
MMnnE-	153/160				(SWnnA+)(STRB1+)	153/160	101--116-H8	Memory data set into M-register
EASTL+	127-L1	A	TLATE	L	[(SUB0P-)]-(ACYLF+)(TLATE+)	127-A1/C1	101--116-A5	Enable A-register to adder
ENSHL+	127-L7	A	TLATE	L	(ACYLF+)(0PGNS+)(1RS0P-)	127-C11	101--107-A9	Enable M-(1-7) to adder
ENSLL+	127-L5	A	TLATE	L	(ACYLF+)(0PGNS+)(1RS0P-)	127-C11	108--116-A9	Enable M-(8-16) to adder
EIK17-	127-L4	A	TLATE	L	(See gate A1B55-E)	127-J6	116-D7-D9	Force carry to adder
CLDTR-	125-J5	A	TL3	R	(ANA0P-)(TL3FF+)(MCRST+)	125-A6	101--116-E7	Clear D-register to ONEs
ESDTS+	125-L4	A	TL3	S	(TL3FF+)(10GRP-)(MCSET+)	125-D6	101--116-D4-D8	Enable adder sum to D-register
CLATR-	122-H7	A	TL4	R	(ACYLF+)(0PGAA+)(TL4FF+)	122-D3	101--116-H5	Clear A-register
EDAHS+	122-L1	A	TL4	S	(ACYLF+)(0PGAA+)(TL4FF+)	122-D3	101--108-G7	Enable D-register to A(1-8)
EDALS+	122-L2	A	TL4	S	(ACYLF+)(0PGAA+)(TL4FF+)	122-D3	109--116-G7	Enable D-register to A(9-16)
CB1TF+	124-L2	A	TL4	S	(SUB0P+)(TL4FF+)(D00=D01)(MCSET+)	124-A4	124-L2	Set CB1TF
CB1TF-	124-L1	A	TL4	R	(SUB0P+)(D1V0P-)(TL4FF+)(MCRST+)	124-A1	124-L1	Reset CB1TF
CLYTR-	129-J3	A	TL4	R	(SCZR0+)(TL4FF+)(MCRST+)	129-A1	101--116-G7	Clear Y-register
EPYTS+	129-L5	A	TL4	S	(P1SEX-)(E01NS+)(0PGJS-)	129-D4/H4	101--116-K11	Enable P-register to Y-register
MEMC1+	126-J11	A	TL4	L	(TL4FF+)(SPMOD-)(TL4FF-)	126-F11 H11	150-C1	Enable set RCYF1+
RCYF1+	150-D1	A	TL4	S	(MCSET+)(MEMC1+)(RCYF1-)	150-C2	150-D1	Start memory cycle



Instruction: Add C to A (ACA)

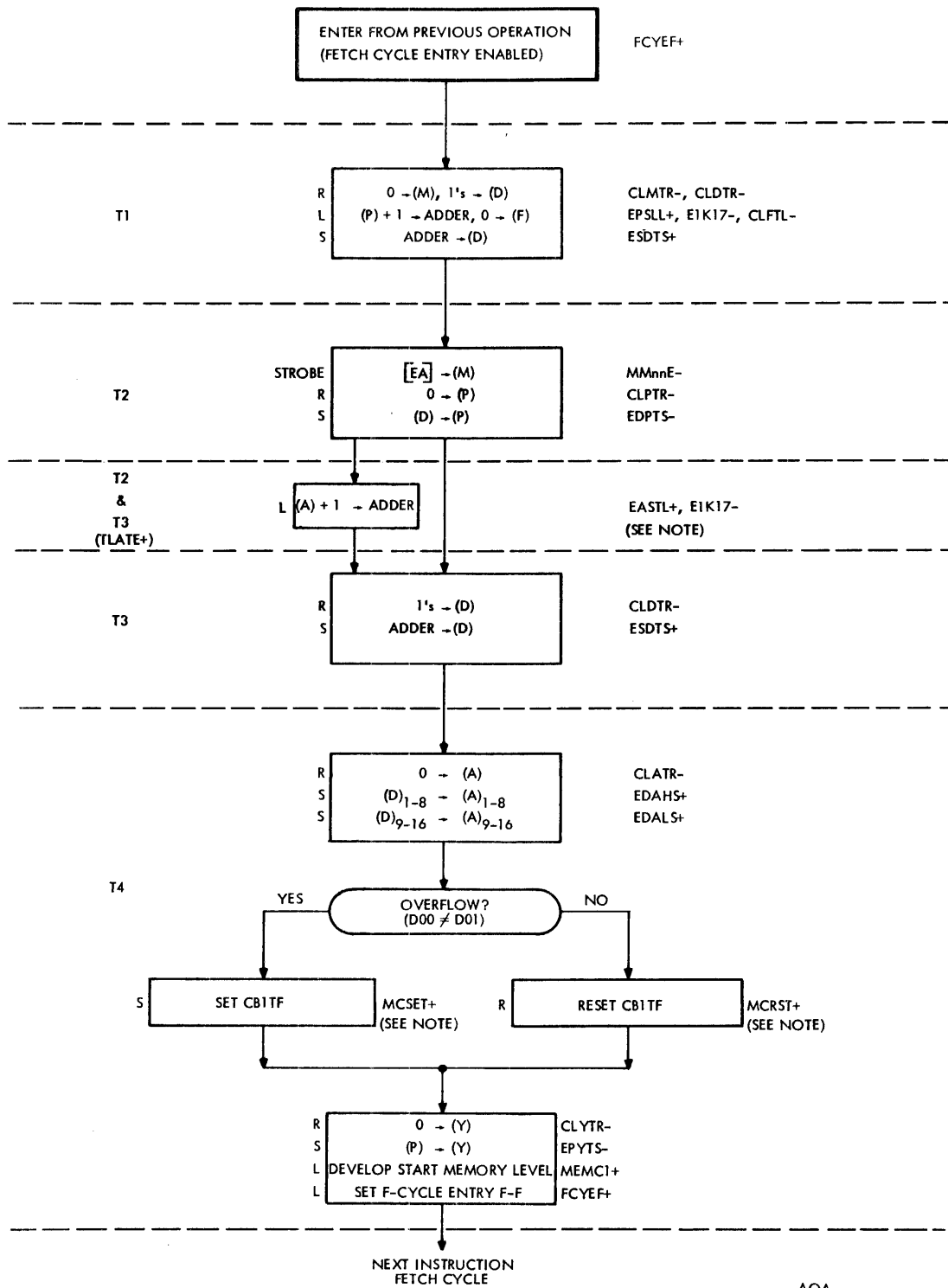
OP Code: 141216 Type: G, 1 cycle

Description: (A) + (C) → (A)
OVF → (C)

1	1	0	0	0	0	1	0	1	0	0	0	1	1	1	0
1	2	3	4	5	6	7	8	9	10	11	12	13	14	15	16

Execution Time (μsec): 0.96

Signal	Origin	Cyc	Tim	Clk	Signal Component	Origin	Destination	Operation Description
EPSLL+	128-H4	F	TLATE	L	(FCYEF+)(TLATE-)	128-F3	101--116-A10	Enable P-register to adder
EIK17-	127-L4	F	TLATE	L	(TLATE-)	127-J5	116-D7/D9	Force carry to adder
CLMTR-	128-K8	F	TL1	R	(MCRST+)(H0LDM-)(TL1FF+)	128-K8	101--116-H9	Clear M-register
CLDTR-	125-J5	F	TL1	R	(1CYEF-)(ACYEF-)(TL1FF+)	125-A5	101--116-E7	Clear D-register to ONEs
CLFTL-	125-J7	F	TL1	L	(1CYEF-)(ACYEF-)(TL1FF+)	125-A5	120-B1 121-A5 125-L12	Clear F-register Clear shift counter Clear AZZZZ F-F
ESDTS+	125-L4	F	TL1	S	(1CYEF-)(ACYEF-)(TL1FF+)	125-A5	101--116-D4-D8	Enable adder sum to D-register
CLPTR-	129-J10	F	TL2	R	(FCYEF+)(TL2FF+)(SCZR0+)(MEMAC-)(MCRST+)	129-D7/H9	101--116-H10	Clear P-register
EIK17-	127-L4	F	TLATE	L	(CB1TF+)(GEN0P+)(M01FF+)(M15FF+)	127-C10/E4/J6	116-D7 117-B1	Force carry to adder
MMnnE-	153/160				(SWnnA-)(STRB1+)	153/160	101--116-H8	Memory data set into M-register
EDPTS+	129-L9	F	TL2	S	(FCYEF+)(TL2FF+)(SCZR0+)(MEMAC-)(MCSET+)	129-H9	101--116-D4-D8	Enable adder sum to D-register
EASTL+	127-L1	F	TLATE	L	(GEN0P+)(TLATE+)(M02FF+)	127-G11	101--116-A5	Enable A-register to adder
EMSHL+	127-L8	F	TLATE	L	(GEN0P+)(TLATE+)(M02FF+)	127-G11	101--107-A8	Enable M(1-7) to adder
ENSHL+	127-L7	F	TLATE	L	(GEN0P+)(TLATE+)(M02FF+)	127-G11	101--107-A9	Enable M-(1-7) to adder
EMSLL+	127-L10	F	TLATE	L	(GEN0P+)(TLATE+)(M02FF+)	127-G11	108--116-A8	Enable M(8-16) to adder
ENSLL+	127-L5	F	TLATE	L	(GEN0P+)(TLATE+)(M02FF+)	127-G11	108--116-A9	Enable M-(8-16) to adder
CLDTR-	125-J5	F	TL3	R	(TL3FF+)(ACYLF-)(MCRST+)	125-D6	101--116-E7	Clear D-register to ONEs
ESDTS+	125-L4	F	TL3	S	(TL3FF+)(10GRP-)(MCSET+)	125-D6	101--116-D4-D8	Enable adder sum to D-register
CLATR-	122-H7	F	TL4	R	(M15FF+)(GEN0A+)(TL4FF+)	122-A3	101--116-H5	Clear A-register
EDAHS+	122-L1	F	TL4	S	(M15FF+)(GEN0A+)(TL4FF+)	122-A3	101--108-G7	Enable D-register to A(1-8)
EDALS+	122-L2	F	TL4	S	(M15FF+)(GEN0A+)(TL4FF+)	122-A3	109--116-G7	Enable D-register to A(9-16)
CB1TF-	124-L1	F	TL4	R	(TL4FF+)(D1V0P-)(GEN0A+)(M09FF+)(M11FF-)(MCRST+)	124-B1	124-L1	Clear CB1TF at TL4 with reset clock
CB1TF+	124-L2	F	TL4	S	(D00 ≠ D01)(TL4FF+)(GEN0A+)(M09FF+)(M11FF-)(MCSET+)	124-B2/C2	124-L2	Set CB1TF when D00 ≠ D01
CLYTR-	129-J3	F	TL4	R	(SCZR0+)(TL4FF+)(MCRST+)	129-D2	101--116-G7	Clear Y-register
EPYTS+	129-L5	F	TL4	S	(PISEX-)(E01NS+)(TL4FF+)(0PGJS-)(MCSET+)	129-D4	101--116-K11	Enable P-register to Y-register
MEMC1+	126-J11	F	TL4	L	(TL4FF+)(SPMOD-)(TLAFF-)	126-F11/H11	150-C1	Enable set RCYF1+
RCYF1+	150-D1	F	TL4	S	(MCSET+)(MEMC1+)(RCYF1-)	150-C2	150-D1	Start memory cycle



AOA
 1 CYCLE
 OP CODE 141206

NOTE: MISSING SIGNALS CAN BE FOUND IN AOA ANALYSIS

3497

Instruction: Add ONE to A (AOA)

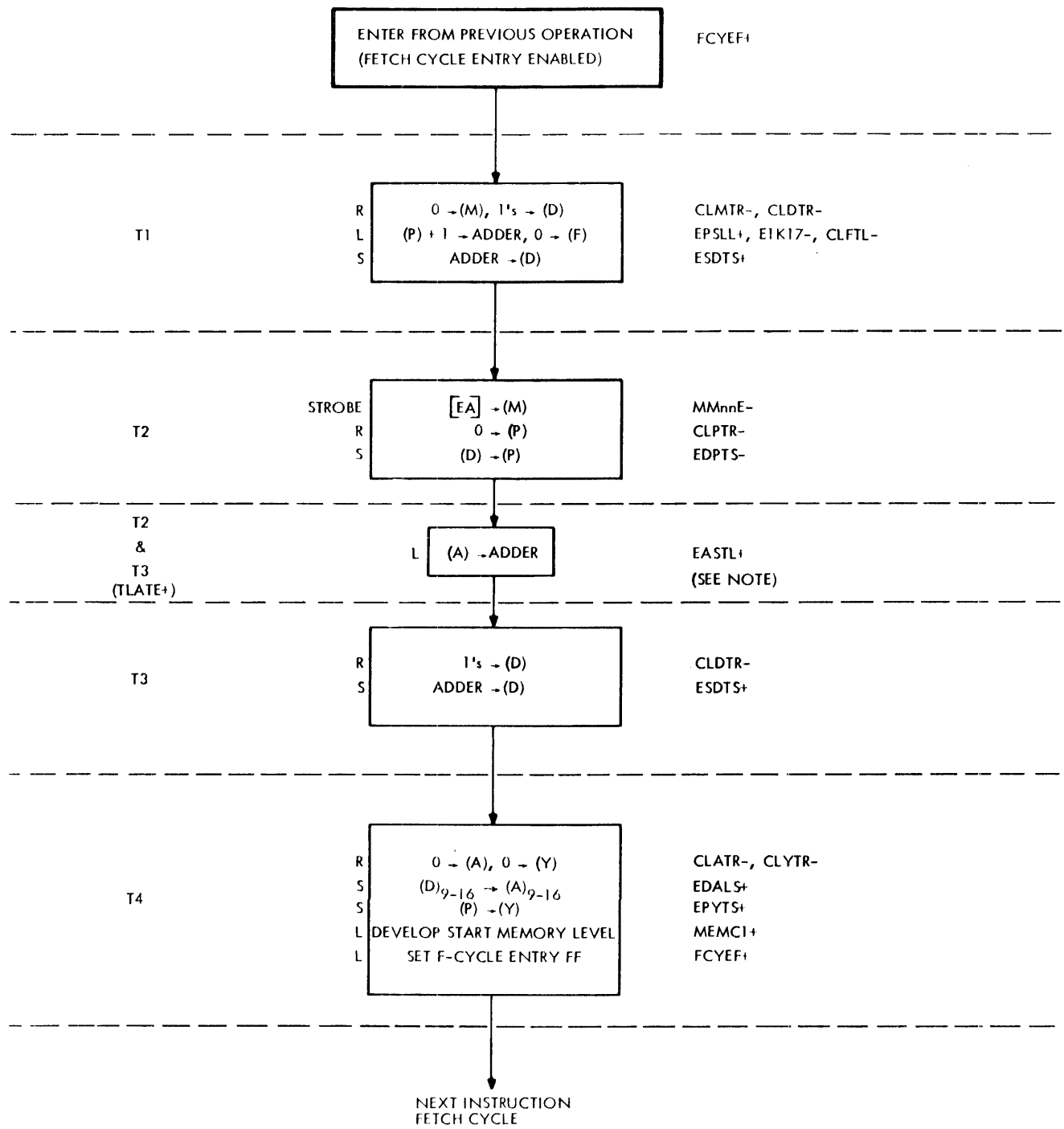
OP Code: 141206 Type: G, 1 cycle

Description: (A) + 1 → (A)
OVF → (C)

1	1	0	0	0	1	0	1	0	0	0	0	1	1	0	
1	2	3	4	5	6	7	8	9	10	11	12	13	14	15	16

Execution Time (μsec): 0.96

Signal	Origin	Cyc	Tim	Clk	Signal Component	Origin	Destination	Operation Description
EPSLL+	128-H4	F	TLATE	L	(FCYEF+)(TLATE-)	128-F3	101--116-A10	Enable P-register to adder
E1K17-	127-L4	F	TLATE	L	(TLATE-)	127-J5	116-D7/D9	Force carry to adder
CLMTR-	128-K8	F	TL1	R	(MCRST+)(H0LDM-)(TL1FF+)	128-K8	101--116-H9	Clear M-register
CLDTR-	125-J5	F	TL1	R	(1CYEF-)(ACYEF-)(TL1FF+)	125-A5	101--116-E7	Clear D-register to ONEs
CLFTL-	125-J7	F	TL1	L	(1CYEF-)(ACYEF-)(TL1FF+)	125-A5	120-B1 121-A5 125-L12	Clear F-register Clear shift counter Clear AZZZZ F-F
ESDTS+	125-L4	F	TL1	S	(1CYEF-)(ACYEF-)(TL1FF+)	125-A5	101--116-D4-D8	Enable adder sum to D-register
MMnnE-	153/160				(SWnnA-)(STRB1+)	153/160	101--116-H8	Memory data set into M-register
CLPTR-	129-J10	F	TL2	R	(FCYEF+)(TL2FF+)(SCZR0+)(MEMAC-)(MCRST+)	129-D7/H9	101--116-H10	Clear P-register
EDPTS+	129-L9	F	TL2	S	(FCYEF+)(TL2FF+)(SCZR0+)(MEMAC-)(MCSET+)	129-H9	101--116-G11	Enable D-register to P-register
EASTL+	127-L1	F	TLATE	L	(GEN0P+)(TLATE+)(M02FF+)	127-G11	101--116-A5	Enable A-register to adder
EMSHL+	127-L8	F	TLATE	L	(GEN0P+)(TLATE+)(M02FF+)	127-G11	101--107-A8	Enable M(1-7) to adder
ENSHL+	127-L7	F	TLATE	L	(GEN0P+)(TLATE+)(M02FF+)	127-G11	101--107-A9	Enable M-(1-7) to adder
EMSLL+	127-L10	F	TLATE	L	(GEN0P+)(TLATE+)(M02FF+)	127-G11	108--116-A8	Enable M(8-16) to adder
ENSLL+	127-L5	F	TLATE	L	(GEN0P+)(TLATE+)(M02FF+)	127-G11	108--116-A9	Enable M-(8-16) to adder
E1K17-	127-L4	F	TLATE	L	(M13FF-)(GEN0P+)(M01FF+)(M15FF+)	127-C10/ E4/J6	116-D7 117-B1	Force carry to adder
CLDTR-	125-J5	F	TL3	R	(TL3FF+)(ACYLF-)(MCRST+)	125-D6	101--116-E7	Clear D-register to ONEs
ESDTS+	125-L4	F	TL3	S	(TL3FF+)(10GRP-)(MCSET+)	125-D6	101--116-D4-D8	Enable adder sum to D-register
CLATR-	122-F7	F	TL4	R	(M15FF+)(GEN0A+)(TL4FF+)	122-A3	101--116-H5	Clear A-Register
EDAHS+	122-L1	F	TL4	S	(M15FF+)(GEN0A+)(TL4FF+)	122-A3	101--108-G7	Enable D-register to A(1-8)
EDALS+	122-L2	F	TL4	S	(M15FF+)(GEN0A+)(TL4FF+)	122-A3	109--116-G7	Enable D-register to A(9-16)
CBITF-	124-L1	F	TL4	R	(TL4FF+)(DIV0P-)(GEN0A+)(M09FF+)(M11FF-)(MCRST+)	124-A2	124-L1	Clear C-bit with reset clock
CBITF+	124-L2	F	TL4	S	(D00 ≠ D01)(GEN0A+)(M09FF+)(M11FF-)(TL4FF+)(MCSET+)	124-B2/ C2	132-C7	Set C-bit when D00 ≠ D01
CLYTR-	129-J3	F	TL4	R	(SCZR0+)(TL4FF+)(MCRST+)	129-D2	101--116-G7	Clear Y-register
EPYTS+	129-L5	F	TL4	S	(P1SEX-)(E01NS+)(TL4FF+)(0PGJS-)(MCSET+)	129-D4	101--116-K11	Enable P-register to Y-register
MEMC1+	126-J11	F	TL4	L	(TL4FF+)(SPMOD-)(TLAFF-)	126-F11/ H11	150-C1	Enable set RCYF1+
RCYF1+	150-D1	F	TL4	S	(MCSET+)(MEMC1+)(RCYF1-)	150-C2	150-D1	Start memory cycle



NOTE: MISSING SIGNALS CAN BE FOUND IN CAL ANALYSIS

CAL
1 CYCLE
OP CODE 141050

3401

Instruction: Clear Left Half (CAL)

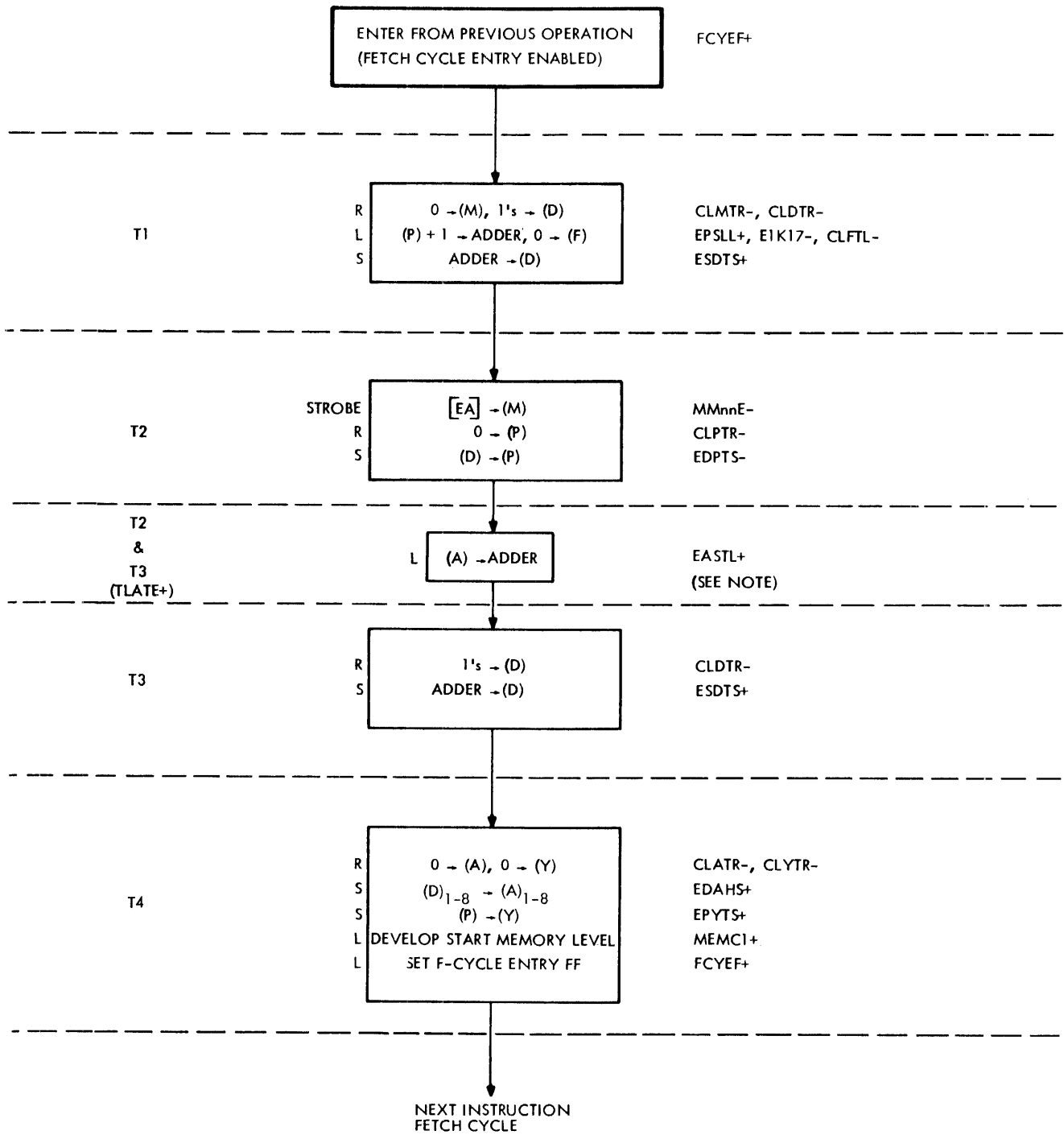
OP Code: 141050 Type: G, 1 cycle

Description: 0 → (A)₁₋₈

1	1	0	0	0	0	1	0	0	0	1	0	1	0	0	0
1	2	3	4	5	6	7	8	9	10	11	12	13	14	15	16

Execution Time (μsec): 0.96

Signal	Origin	Cyc	Tim	Clk	Signal Component	Origin	Destination	Operation Description
EPSLL+	128-H4	F	TLATE	L	(FCYEF+)(TLATE-)	128-F3	101--116-A10	Enable P-register to adder
E1K17-	127-L4	F	TLATE	L	(TLATE-)	127-J5	116-D7-D9	Force carry to adder
CLMTR-	128-K8	F	TL1	R	(MCRST+)(HOLDM-)(TL1FF+)	128-K8	101--116-H9	Clear M-register
CLDTR-	125-J5	F	TL1	R	(1CYEF-)(ACYEF-)(TL1FF+)	125-A5	101--116-E7	Clear D-register to ONEs
CLFTL-	125-J7	F	TL1	L	(1CYEF-)(ACYEF-)(TL1FF+)	125-A5	120-B1 121-A5 125-L10	Clear F-register Clear shift counter Clear AZZZ F-F
ESDTS+	125-L4	F	TL1	S	(1CYEF-)(ACYEF-)(TL1FF+)	125-A5	101--116-D4-D8	Enable adder sum to D-register
MMnnE-	153/160				(SWnnA+)(STRB1+)	153/160	101--116-H8	Memory data set into M-register
CLPTR-	129-J10	F	TL2	R	(EDPTL+)(MCRST+)*	129-H10	101--116-H10	Clear P-register
EDPTS-	129-L9	F	TL2	S	(EDPTL+)(MCSET+)	129-H9	101--116-G11	Enable D-register into P-register
EASTL+	127-L1	F	TLATE	L	(GEN0P+)(TLATE+)(M02FF+)	127-G11	101--116-A5	Enable A-register to adder
EMSHL+	127-L8	F	TLATE	L	(GEN0P+)(TLATE+)(M02FF+)	127-G11	101--108--A8	Enable M(1-7) to adder
ENSHL+	127-L7	F	TLATE	L	(GEN0P+)(TLATE+)(M02FF+)	127-G11	101--108-A9	Enable M-(1-7) to adder
EMSLL+	127-L10	F	TLATE	L	(GEN0P+)(TLATE+)(M02FF+)	127-G11	109--116-A8	Enable (M(8-16) to adder
ENSLL+	127-L5	F	TLATE	L	(GEN0P+)(TLATE+)(M02FF+)	127-G11	109--116-A9	Enable M-(8-16) to adder
JAMKN-	127-J3	F	TLATE	L	(GEN0P+)(M01FF+)(M02FF+)	127-C2	101--116-D6	Force carry network to ZERO
CLDTR-	127-J5	F	TL3	R	(TL3FF+)(ACYLF-)	125-D6	101--116-E7	Clear D-register to ONEs
ESDTS+	125-L4	F	TL3	S	(TL3FF+)(10GRP-)	125-D6	101--116-D4-D8	Enable adder sum to D-register
CLATR-	122-H7	F	TL4	R	(GEN0A+)(M11FF+)(TL4FF+)	122-D5	101--116-H5	Clear A-register
CLYTR-	129-J3	F	TL4	R	(ACYNX-)(TL4FF+)(MCRST+)	129-D3	101--116-L11	Clear Y-register
EDALS+	122-L2	F	TL4	S	(GEN0A+)(M11FF+)(M13FF+)	129-D5/ H2	109--116-G7	Enable D-register to A(9-16)
EPYTS+	129-L4	F	TL4	S	(P1SEX-)(E01NS+)(0PGJS-)	129-D4/ H4	101--116-K11	Enable P-register to Y-register
MEMC1+	126-J11	F	TL4	L	(TL4FF+)(SPM0D-)(TLAFF-)	126-F11/ H11	150-C1	Enable set RCYF1+
RCYF1+	150-D1	F	TL4	S	(MCSET+)(MEMC1+)(RCYF1-)	150-C2	150-D1	Start memory cycle



NOTE: MISSING SIGNALS CAN BE FOUND IN CAR ANALYSIS

3400

CAR
1 CYCLE
OP CODE 141044

Instruction: Clear Right Half (CAR)

OP Code: 141044 Type: G, 1 cycle

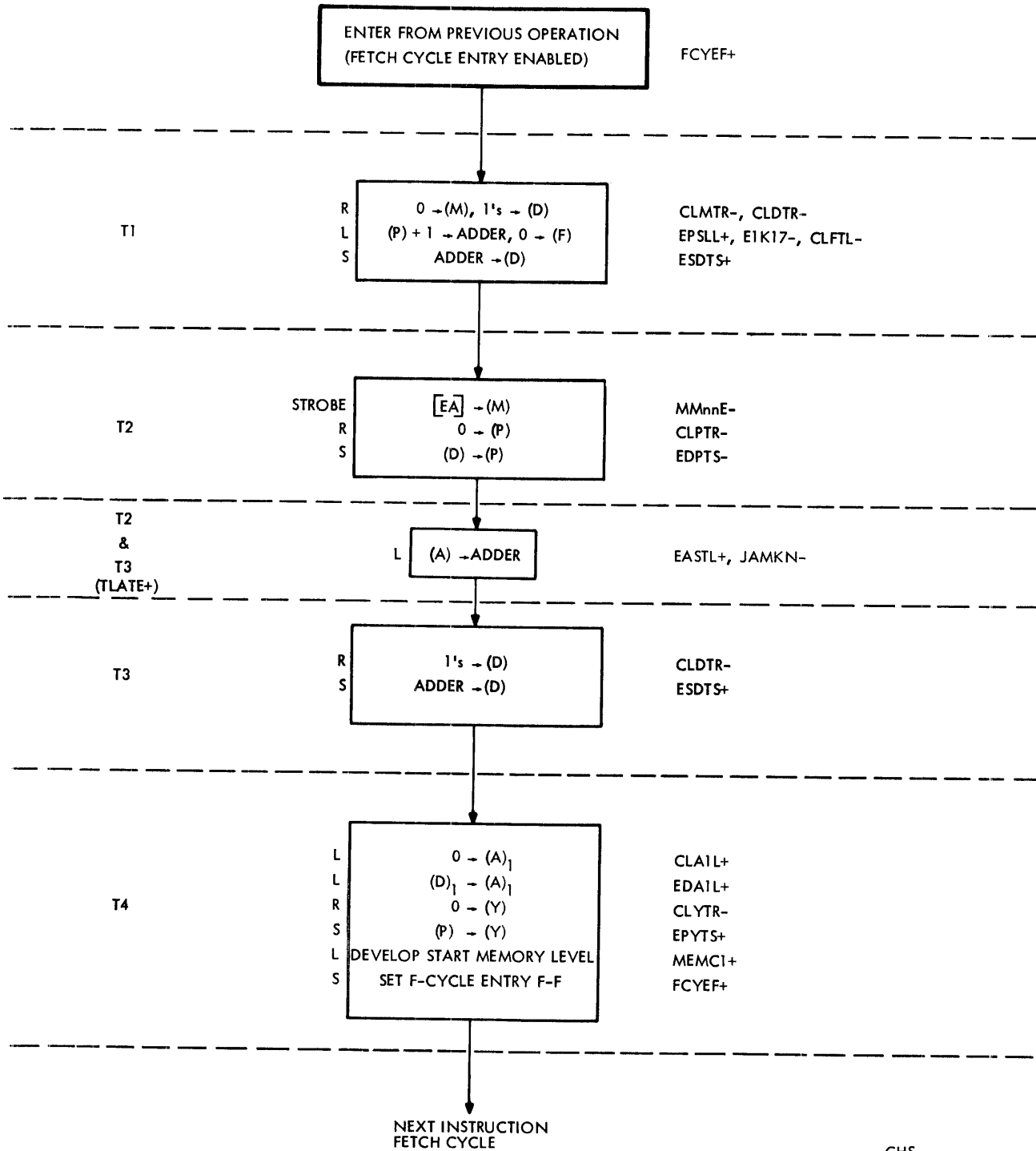
Description: 0 → (A)₉₋₁₆

1	1	0	0	0	0	1	0	0	0	1	0	0	1	0	0
1	2	3	4	5	6	7	8	9	10	11	12	13	14	15	16

Execution Time (μsec): 0.96

Function	Origin	Cyc	Tim	Clk	Boolean Expression	Origin	Destination	Operation Description
EPSLL+	128-H4	F	TLATE	L	(FCYEF+)(TLATE-)	128-F3	101--116-A10	Enable P-register to adder
EIK17-	127-L4	F	TLATE	L	(TLATE-)	127-J5	116-D7-D9	Force carry to adder
CLMTR-	128-K8	F	TL1	R	(MCRST+)(HOLDM-)(TL1FF+)	128-K8	101--116-H9	Clear M-register
CLDTR-	125-J5	F	TL1	R	(1CYEF-)(ACYEF-)(TL1FF+)	125-A5	101--116-E7	Clear D-register to ONEs
CLFTL-	125-J7	F	TL1	L	(1CYEF-)(ACYEF-)(TL1FF+)	125-A5	120-B1 121-A5 125-L10	Clear F-register Clear shift counter Clear AZZZZ FF
ESDTS+	125-L4	F	TL1	S	(1CYEF-)(ACYEF-)(TL1FF+)	125-A5	101--116-D4-D8	Enable adder sum to D-register
MMnNE-	153/160				(SWnNA+)(STRB1+)	153/160	101--116-H8	Memory data set into M-register
CLPTR-	129-J10	F	TL2	R	(EDPTL+)(MCRST+)*	129-H10	101--116-H10	Clear P-register
EDPTS-	129-L9	F	TL2	S	(EDPTL+)(MCSET+)	129-H9	101--116-G11	Enable D-register into P-register
EASTL+	127-L1	F	TLATE	L	(GEN0P+)(TLATE+)(M02FF+)	129-G11	101--116-A5	Enable A-register to adder
EMSHL+	127-L8	F	TLATE	L	(GEN0P+)(TLATE+)(M02FF+)	127-G11	101--108-A8	Enable M(1-7) to adder
ENSHL+	127-L7	F	TLATE	L	(GEN0P+)(TLATE+)(M02FF+)	127-G11	101--108-A9	Enable M-(1-7) to adder
EMSLL+	127-L10	F	TLATE	L	(GEN0P+)(TLATE+)(M02FF+)	127-G11	109--116-A8	Enable M(8-16) to adder
ENSLL+	127-L5	F	TLATE	L	(GEN0P+)(TLATE+)(M02FF+)	127-G11	109--116-A9	Enable M-(8-16) to adder
JAMKN-	127-J3	F	TLATE	L	(GEN0P+)(M01FF+)(M02FF+)	127-C2	101--116-D6	Force carry network to ZERO
CLDTR-	127-J5	F	TL3	R	(TL3FF+)(ACYLF-)	125-D6	101--116-E7	Clear D-register to ONEs
ESDTS+	125-L4	F	TL3	S	(TL3FF+)(10GRP-)		101--116-D4-D8	Enable adder sum to D-register
CLATR-	122-H7	F	TL4	R	(GEN0A+)(M11FF+)(TL4FF+)	122-D5	101--116-H5	Clear A-register
CLYTR-	129-J3	F	TL4	R	(ACYNX-)(TL4FF+)(MCRST+)	129-D3	101--116-L11	Clear Y-register
EDAHS+	122-L1	F	TL4	S	(GEN0A+)(M11FF+)(M14FF+)	122-D5/ F2	101--108-G7	Enable D-register to A-register 1-8
EPYTS+	129-L4	F	TL4	S	(PISEX-)(E0INS+)(OPGJS-)	129-D4/ H4	101--116-K11	Enable P-register to Y-register
MEMC1+	126-J11	F	TL4	L	(TL4FF+)(SPM0D-)(TLAFF-)	126-F11/ H11	150-C1	Enable set RCYF1+
RCYF1+	150-D1	F	TL4	S	(MCSET+)(MEMC1+)(RCYF1-)	150-C2	150-D1	Start memory cycle

* See gate A1A44-F at 129-D8 for EDPTL+



CHS
1 CYCLE
OP CODE 140024

Instruction: Complement A Sign (CHS)

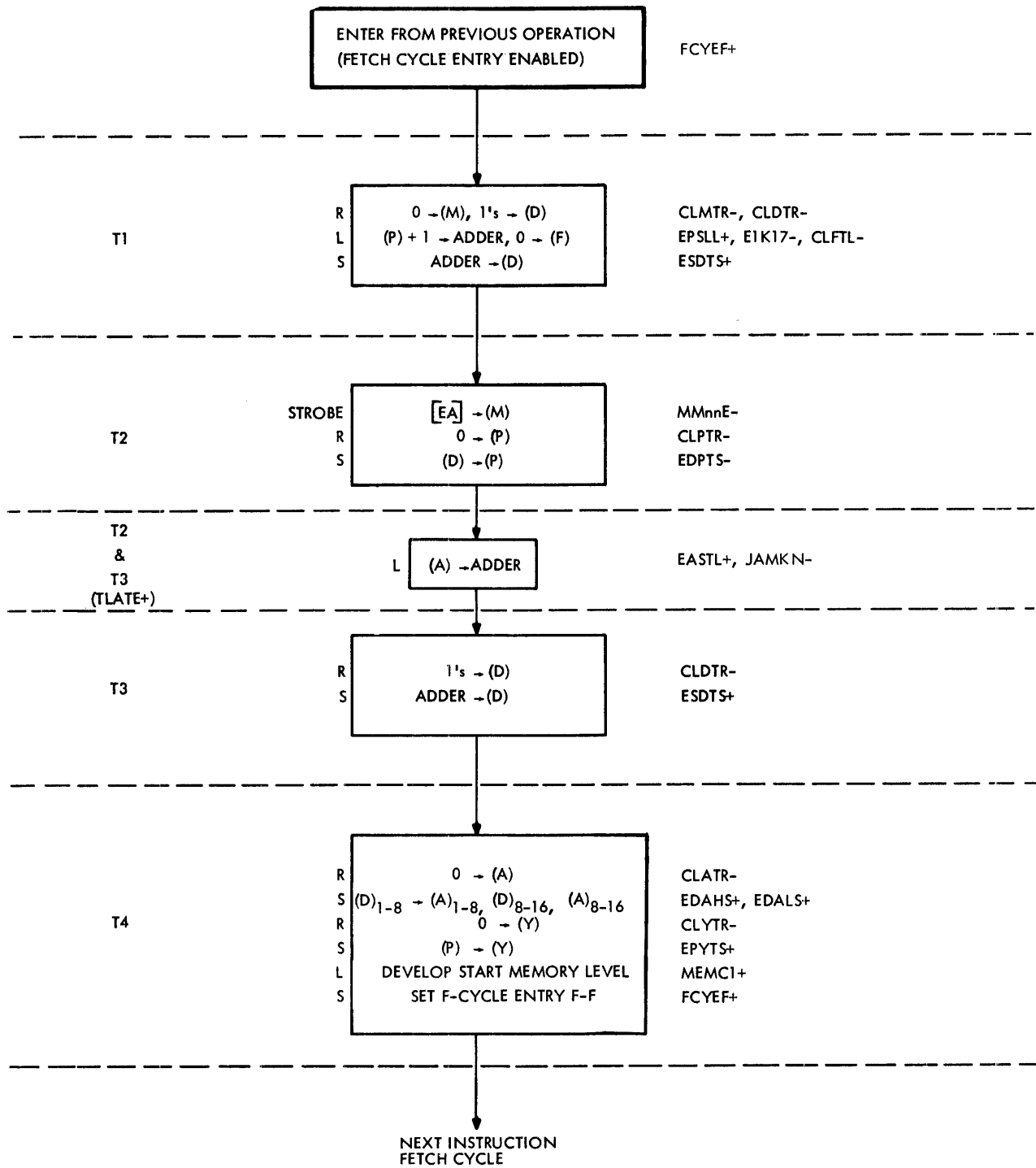
OP Code: 140024 Type: G, 1 cycle

Description: ONE's complement of (A₁) → (A₁)

1	1	0	0	0	0	0	0	0	0	0	1	0	1	0	0
1	2	3	4	5	6	7	8	9	10	11	12	13	14	15	16

Execution Time (μsec): 0.96

Signal	Origin	Cyc	Tim	Clk	Signal Component	Origin	Destination	Operation Description
EPSSL+	128-H4	F	TLATE	L	(FCYEF+)(TLATE-)	128-F3	101--116-A10	Enable P-register to adder
E1K17-	127-L4	F	TLATE	L	(TLATE-)	127-C3/ J6	116-D7/D9	Force carry to adder
CLMTR-	128-K8	F	TL1	R	(MCRST+)(HOLDM-)(TL1FF+)	128-K8	101--116-H9	Clear M-register
CLDTR-	125-J5	F	TL1	R	(1CYEF-)(ACYEF-)(TL1FF+)	125-A5	101--116-E7	Clear D-register to ONEs
CLFTL-	125-J7	F	TL1	L	(1CYEF-)(ACYEF-)(TL1FF+)	125-A5	120-B1 121-A5 125-L12	Clear F-register Clear shift counter Clear AZZZZ F-F
ESDTS+	125-L4	F	TL1	S	(1CYEF-)(ACYEF-)(TL1FF+)	125-A5	101--116-D4- D8	Enable adder sum to D-register
MMnnE-	153/160				(SWnnA-)(STRB1+)	153/160	101--116-H8	Memory data set into M-register
CLPTR-	129-J10	F	TL2	R	(FCYEF+)(TL2FF+)(SCZR0+)(MEMAC-)(MCRST+)	129-D7/ H9	101--116-H10	Clear P-register
EDPTS+	129-L9	F	TL2	S	(FCYEF+)(TL2FF+)(SCZR0+)(MEMAC-)(MCSET+)	129-H9	101--116-G11	Enable D-register to P-register
EASTL+	127-L1	F	TLATE	L	See gate A1E37-D	127-C2	101--116-A5	Enable A-register to adder
JAMKN-	127-J3	F	TLATE	L	See gate A1E37-D	127-C2	101--116-D6 117-B/D	Jam carry network
CLDTR-	125-J5	F	TL3	R	(TL3FF+)(ACYLF-)(MCRST+)	125-D5	101--116-E7	Clear D-register to ONEs
ESDTS+	125-L4	F	TL3	S	(TL3FF+)(10GRP-)(MCSET+)	125-A5	101--116-D4- D8	Enable adder sum to D-register
CLA1L+	130-H11	F	TL4	L	(GEN0A+)(TL4FF+)(M14FF+)	130-F9	101-H3	Clear A-register bit 1
EDA1L+	130-H10	F	TL4	L	(GEN0A+)(TL4FF+)(M14FF+)	130-F9	101-H6	Enable D-register bit 1 into A-register bit 1
CLYTR-	129-J3	F	TL4	R	(SCZR0+)(TL4FF+)(MCRST+)	129-D2	101--116-G7	Clear Y-register
EPYTS+	129-L5	F	TL4	S	(P1SEX-)(E01NS+)(TL4FF+)(0PGJS-)(MCSET+)	129-D4	101--116-K11	Enable P-register to Y-register
MEMC1+	126-J11	F	TL4	L	(TL4FF+)(SPM0D-)(TLAFF-)	126-F11/ H11	150-C1	Enable set RCYF1+
RCYF1+	150-D1	F	TL4	S	(MCSET+)(MEMC1+)(RCYF1-)	150-C2	150-D1	Start memory cycle



3483

CMA
1 CYCLE
OP CODE M01401

140401

Instruction: Complement A (CMA)

1	1	0	0	0	0	0	1	0	0	0	0	0	0	0	1
---	---	---	---	---	---	---	---	---	---	---	---	---	---	---	---

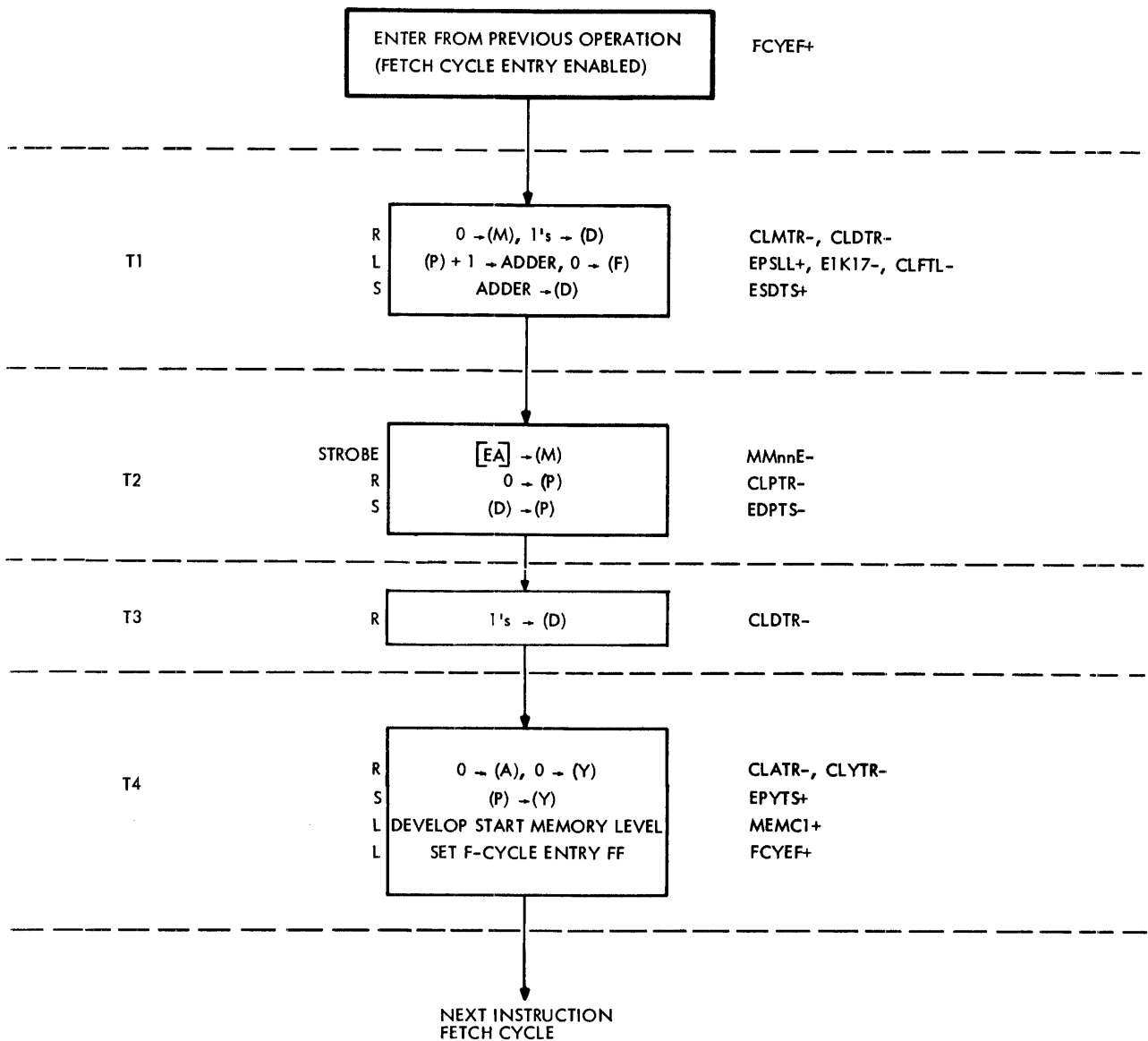
OP Code: 140401 Type: G, 1 cycle

Description: ONE's complement of (A) → (A)

1 2 3 4 5 6 7 8 9 10 11 12 13 14 15 16

Execution Time (μsec): 0.96

Signal	Origin	Cyc	Tim	Clk	Signal Component	Origin	Destination	Operation Description
EPSLL+	128-H4	F	TLATE	L	(FCYEF+)(TLATE-)	128-F3	101--116-A10	Enable P-register to adder
E1K17-	127-L4	F	TLATE	L	(TLATE-)	127-C3/ J6	116-D7-D9	Force carry to adder
CLMTR-	128-K8	F	TL1	R	(MCRST+)(H0LDM-)(TL1FF+)	128-K8	101--116-H9	Clear M-register
CLDTR-	125-J5	F	TL1	R	(1CYEF-)(ACYEF-)(TL1FF+)	125-A5	101--116-E7	Clear D-register to ONEs
CLFTL-	125-J7	F	TL1	L	(1CYEF-)(ACYEF-)(TL1FF+)	125-A5	120-B1 121-A5 125-L12	Clear F-register Clear shift counter Clear AZZZ F-F
ESDTS+	125-L4	F	TL1	S	(1CYEF-)(ACYEF-)(TL1FF+)	125-A5	101--116-D4- D8	Enable adder sum to D-register
MMnnE-	153/160				(SWnnA-)(STRB1+)	153/160	101--116-H8	Memory data set into M-register
CLPTR-	129-J10	F	TL2	R	(FCYEF+)(TL2FF+)(SCZR0+)(MEMAC-)(MCRST+)	128-D7/ H9	101--116-H10	Clear P-register
EDPTS+	129-L9	F	TL2	S	(FCYEF+)(TL2FF+)(SCZR0+)(MEMAC-)(MCSET+)	129-H9	101--116-G11	Enable D-register to P-register
EASTL+	127-L1	F	TLATE	L	See gate A1E37-D	127-C2	101--116-A5	Enable A-register to adder
JAMKN-	127-J3	F	TLATE	L	See gate A1E37-D	127-C2	101--116-D6 117 B/D	Jam carry network
CLDTR-	125-J5	F	TL3	R	(TL3FF+)(ACYLF-)(MCRST+)	125-D5	101--116-E7	Clear D-register to ONEs
ESDTS+	125-L4	F	TL3	S	(TL3FF+)(10GRP-)(MCSET+)	125-A5	101--116-D4- D8	Enable adder sum to D-register
CLATR-	122-H7	F	TL4	R	(M16FF+)(GEN0A+)(TL4FF+)(MCRST+)	122-A3	101--116-H5	Clear A-register
EDAHS+	122-L1	F	TL4	S	(M16FF+)(GEN0A+)(TL4FF+)(MCSET+)	122-A3	101--108-G7	Enable D-register to A(1-8)
EDALS+	122-L2	F	TL4	S	(M16FF+)(GEN0A+)(TL4FF+)(MCSET+)	122-A3	108--116-G7	Enable D-register to A(9-16)
CLYTR-	129-J3	F	TL4	R	(SCZR0+)(TL4FF+)(MCRST+)	129-D2	101--116-G7	Clear Y-register
EPYTS+	129-L5	F	TL4	S	(P1SEX-)(E01NS+)(TL4FF+)(0PGJS-)(MCSET+)	129-D4	101--116-K11	Enable P-register to Y-register
MEMC1+	126-J11	F	TL4	L	(TL4FF+)(SPMOD-)(TLAFF-)	126-F11 H11	150-C1	Enable set RCYF1+
RCYF1+	150-D1	F	TL4	S	(MCSET+)(MEMC1+)(RCYF1-)	150-C2	150-D1	Start memory cycle



NOTE: MISSING SIGNALS CAN BE FOUND IN CRA ANALYSIS.

CRA
1 CYCLE
OP CODE 140040

3390

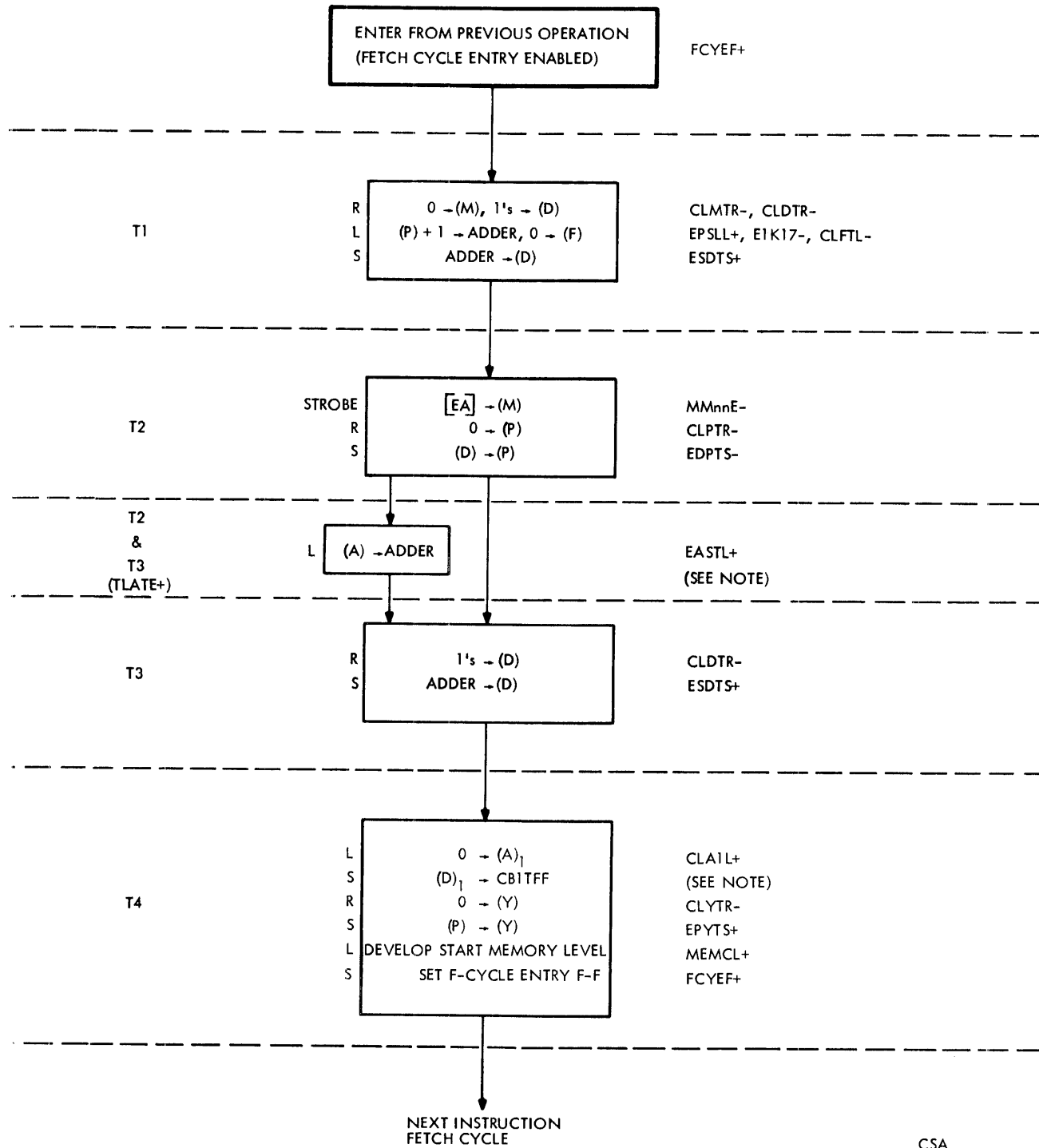
Instruction: Clear A-register (CRA)
 OP Code: 140040 Type: Generic, 1 cycle
 Description: 0s → (A)₁₋₁₆

1	1	0	0	0	0	0	0	0	0	1	0	0	0	0	0
1	2	3	4	5	6	7	8	9	10	11	12	13	14	15	16

Execution Time (μsec): 0.96

Signal	Origin	Cyc	Tim	Clk	Signal Component	Origin	Destination	Operation Description
EPSLL+	128-H4	F	TLATE	L	(FCYEF+)(TLATE-)	128-F3	101--116-A10	Enable P-register to adder
E1K17+	127-L4	F	TLATE	L	(TLATE-)	127-J5	116-D7/D9	Force carry-in to bit 16
CLMTR-	128-K8	F	TL1	R	(MCRST+)(HOLDM-)(TL1FF+)	128-K8	101--116-H9	Reset M-register
CLDTR-	125-J5	F	TL1	R	(1CYEF-)(ACYEF-)(TL1FF+)	125-A5	101--116-E7	Clear D-register to ONES
CLFTL-	125-J7	F	TL1	L	(1CYEF-)(ACYEF-)(TL1FF+)	125-A5	120-B1 121-A5 125-L10	Reset F-register Reset shift counter Reset AZZZZ+
ESDTS+	125-L4	F	TL1	S	(1CYEF-)(ACYEF-)(TL1FF+)	125-A5	101--116-D4/D6/D8	Enable adder sum to D-register
MMnnE-	153/160				(SWnnA+)(STRB1+)	153/160	101--116-H8	Memory data set into M-register
CLPTR-	129-J10	F	TL2	R	(EDPTL+)*	129-F9	101--116-H10	Reset P-register
EDPTS+	129-L9	F	TL2	S	(EDPTL+)*	129-F9	101--116-G11	Enable D-register into P-register
CLDTR-	125-J6	F	TL3	R	(TL3FF+)(ACYLF-)	125-D6	101--116-E7	Clear D-register to ONES
CLATR-	122-J7	F	TL4	R	(CLATL+)(MCRST+)**	122-F7	101--116-H5	Reset A-register
CLYTR-	129-J3	F	TL4	R	(ACYNX-)(TL4FF+)(MCRST+)	129-D3	101--116-L11	Reset Y-register
EPYTS+	129-L5	F	TL4	S	(PISEX-)(E01NS+)(TL4FF+)(0PGJS-)	129-D4	101--116-J11	Enable P-register into Y-register
MEMC1+	126-J11	F	TL4	L	(MEMC1-)***	126-G11	150-C1	Enable set RCYF1+
RCYF1+	150-D1	F	TL4	S	(MCSET+)(MEMC1+)(RCYF1-)	150-C2	XXXX	Start memory cycle
FCYEF+	119-F10	F	TL4	L	(Set: (TL4FF+)(E01NS+)	119-D10	119-H9	Enable set FCYLF+ at next TL1FF+

*(EDPTL+) @ 129-F9 = (FCYEF+)(TL2FF+)(SCZR0+)(MEMAC-) @ 129-D8
 **(CLATL+) @ 122-F7 = (GEN0A+)(M11FF+)(TL4FF+) @ 122-C5
 *** (MEMC1-) @ 126-G11 = (TL4FF+)(SPM0D-)((10GRP+)(FCYLF+)-)



NOTE: MISSING SIGNALS CAN BE
FOUND IN CSA ANALYSIS

3481

CSA
1 CYCLE
OP CODE 140320

Instruction: Copy Sign and Set Sign Plus (CSA)

OP Code: 140320 Type: G, 1 cycle

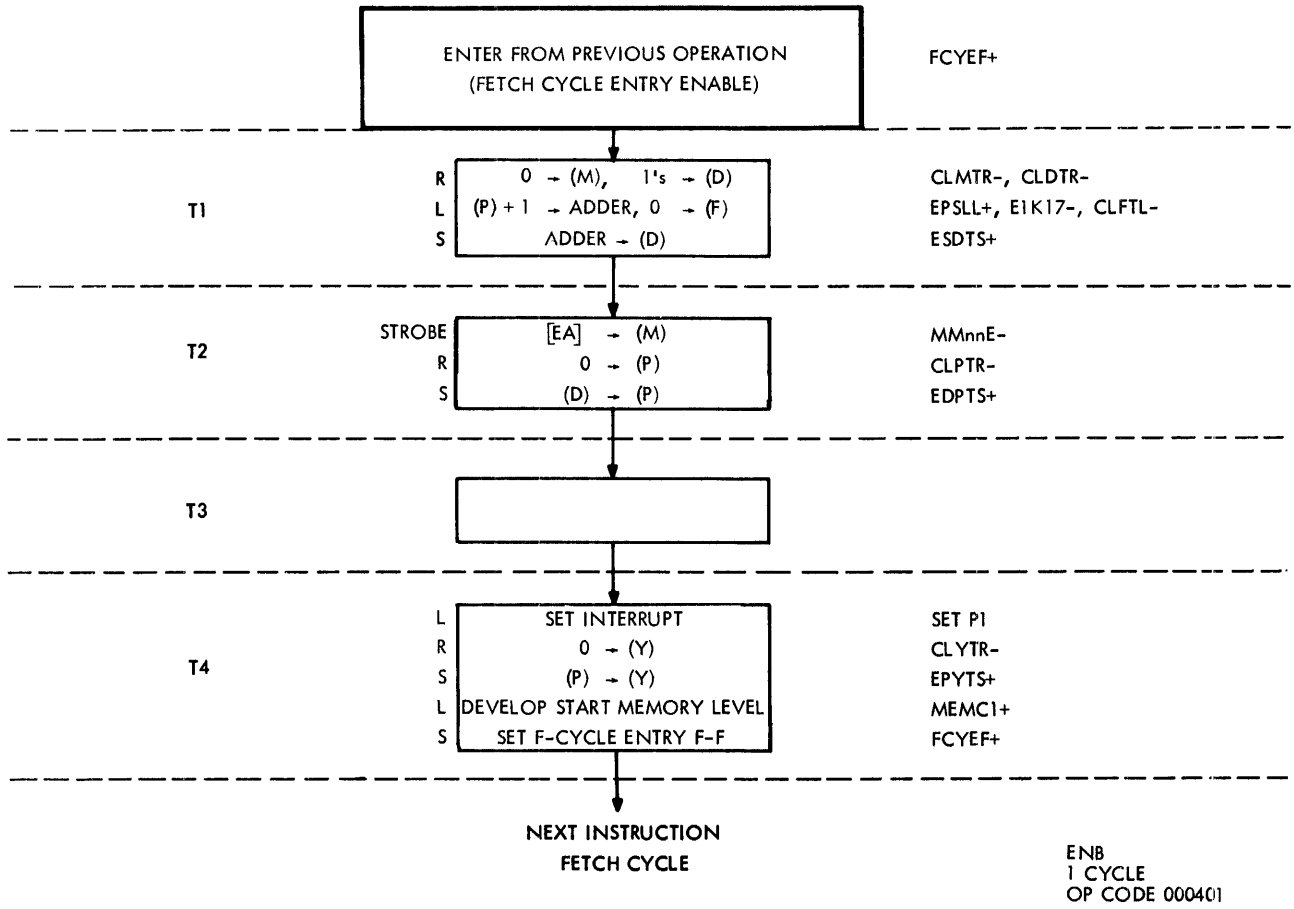
Description: (A)₁ → C, 0 → (A)₁

1 1 0 0 0 0 0 0 1 1 0 1 0 0 0 0

1 2 3 4 5 6 7 8 9 10 11 12 13 14 15 16

Execution Time (μsec): 0.96

Signal	Origin	Cyc	Tim	Clk	Signal Component	Origin	Destination	Operation Description
EPSLL+	128-H4	F	TLATE	L	(FCYEF+)(TLATE-)	128-F3	101--116-A10	Enable P-register to adder
EIK17-	127-L4	F	TLATE	L	(TLATE-)	127-C3/ J6	116-D7-D9	Force carry to adder
CLMTR-	128-K8	F	TL1	R	(MCRST+)(HOLDM-)(TL1FF+)	128-K8	101--116-H9	Clear M-register
CLDTR-	125-J5	F	TL1	R	(1CYEF+)(ACYEF-)(TL1FF+)	125-A5	101--116-E7	Clear D-register to ONES
CLFTL-	125-J7	F	TL1	L	(1CYEF-)(ACYEF-)(TL1FF+)	125-A5	120-B1 121-A5 125-L12	Clear F-register Clear shift counter Clear AZZZZ F-F
ESDTS+	125-L4	F	TL1	S	(1CYEF-)(ACYEF-)(TL1FF+)	125-A5	101--116-D4- D8	Enable adder sum to D-register
MMnnE-	153/160				(SWnnA-)(STRB1+)	153/160	101--116-H8	Memory data set into M-register
CLPTR-	129-J10	F	TL2	R	(FCYEF+)(TL2FF+)(SCZR0+)(MEMAC-)(MCRST+)	129-D7/ H9	101--116-H10	Clear P-register
EDPTS+	129-L9	F	TL2	S	(FCYEF+)(TL2FF+)(SCZR0+)(MEMAC-)(MCSET+)	129-H9	101--116-G11	Enable D-register to P-register
EASTL+	127-L1	F	TLATE	L	(See gate A1E37-DV gate A1C43A)	127-C2	101--116-A5 117 B/D	Enable A-register to adder
JAMKN-	127-J3	F	TLATE	L	(See gate A1E37-DV gate A1C43A)	127-C2	101--116-D6	Jam carry network
EMSHL+	127-L8	F	TLATE	L	(GEN0P+)(TLATE+)(M02FF+)(M09FF+)	127-G11	101--107-A8	Enable M(1-7) to adder
ENSHL+	127-L7	F	TLATE	L	(GEN0P+)(TLATE+)(M02FF+)(M09FF+)	127-G11	101--107-A9	Enable M-(1-7) to adder
EMSLL+	127-L10	F	TLATE	L	(GEN0P+)(TLATE+)(M02FF+)(M09FF+)	127-G11	108--116-A8	Enable M(8-16) to adder
ENSLL+	127-L5	F	TLATE	L	(GEN0P+)(TLATE+)(M02FF+)(M09FF+)	127-G1	108--116-A9	Enable M-(8-16) to adder
CLDTR-	125-J5	F	TL3	R	(TL3FF+)(ACYLF-)(MCRST+)	125-D5	101--116-E7	Clear D-register to ONES
ESDTS+	125-L4	F	TL3	S	(TL3FF+)(10GRP-)(MCSET+)	125-A5	101--116-D4- D8	Enable adder sum to D-register
CLA1L+	130-H11	F	TL4	L	(GEN0A+)(TL4FF+)(M10FF+)	130-F11	101-H3	Clear A-register bit 1
D1 → C	124-L2	F	TL4	S	(GEN0A+)(TL4FF+)(M10FF+)(M12FF+)(D01FF+)	124-D9	124-L2	Set D1 into C-bit
CLYTR-	129-J3	F	TL4	R	(SCZR0+)(TL4FF+)(MCRST+)	129-D2	101--116-G7	Clear Y-register
EPYTS+	129-L5	F	TL4	S	(P1SEX-)(E01NS+)(TL4FF+)(0PGJS-)(MCSET+)	129-D4	101--116-K11	Enable P-register to Y-register
MEMC1+	126-J11	F	TL4	L	(TL4FF+)(SPM0D-)(TLAFF-)	126-F11 H11	150-C1	Enable set RCYF1+
RCYF1+	150-D1	F	TL4	S	(MCSET+)(MEMC1+)(RCYF1-)	150-C2	150-D1	Start memory cycle



3488

Instruction: Enable Program Interrupt (ENB)

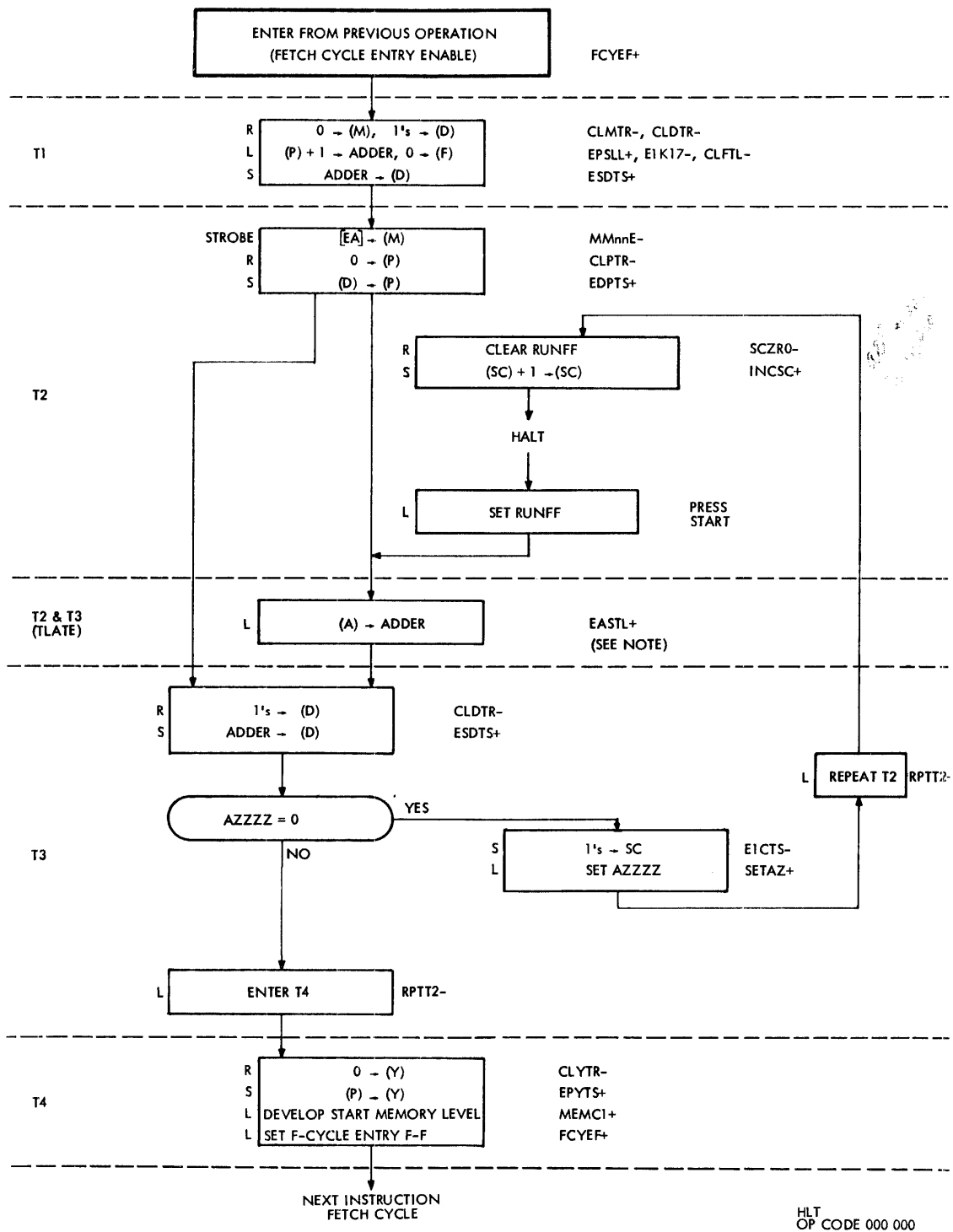
OP Code: 000401 Type: G, 1 cycle

Description: Set machine status to permit interrupt

0	0	0	0	0	0	0	1	0	0	0	0	0	0	0	1
1	2	3	4	5	6	7	8	9	10	11	12	13	14	15	16

Execution Time (μsec): 0.96

Signal	Origin	Cyc	Tim	Clk	Signal Component	Origin	Destination	Operation Description
EPSLL+	128-H4	F	TLATE	L	(FCYEF+)(TLATE-)	128-F3	101--116-A10	Enable P-register to adder
EIK17-	127-L4	F	TLATE	L	(TLATE-)	127-C3/ J6	116-D7-D9	Force carry to adder
CLMTR-	128-K8	F	TL1	R	(MCRST+)(HOLDM-)(TL1FF+)	128-K8	101--116-H9	Clear M-register
CLDTR-	125-J5	F	TL1	R	(1CYEF-)(ACYEF-)(TL1FF+)	125-A5	101--116-E7	Clear D-register to ONEs
CLFTL	125-J7	F	TL1	L	(1CYEF-)(ACYEF-)(TL1FF+)	125-A5	120-B1 121-A5 125-L12	Clear F-register Clear shift counter Clear AZZZZ F-F
ESDTS+	125-L4	F	TL1	S	(1CYEF-)(ACYEF-)(TL1FF+)	125-A5	101--116-D4-D8	Enable adder sum to D-register
MMnnE-	153/160				(SWnnA-)(STRB1+)	153/160	101--116-H8	Memory data set into M-register
CLPTR-	129-J10	F	TL2	R	(FCYEF+)(TL2FF+)(SCZR0+)(MEMAC-)(MCRST+)	129-D7/ H9	101--116-H10	Clear P-register
EDPTS+	129-L9	F	TL2	S	(FCYEF+)(TL2FF+)(SCZR0+)(MEMAC-)(MCSET+)	129-H9	101--116-G11	Enable D-register to P-register
SET P1	134-A4	F	TL4	L	(GEN0B+)(TL4FF+)(M08FF+)	134-A4	134-C4	Permit interrupt
CLYTR-	129-J3	F	TL4	R	(SCZR0+)(TL4FF+)(MCRST+)	129-D2	101--116-G7	Clear Y-register
EPYTS+	129-L5	F	TL4	S	(P1SEX-)(E01NS+)(TL4FF+)(0PGJS-)(MCSET+)	129-D4	101--116-K11	Enable P-register to Y-register
MEMC1+	126-J11	F	TL4	L	(TL4FF+)(SPMOD-)(TLAFF-)	126-F11/ H11	150-C1	Enable set RCYF1+
RCYF1+	150-D1	F	TL4	S	(MCSET+)(MEMC1+)(RCYF1-)	150-C2	150-D1	Start memory cycle



NOTE: MISSING SIGNALS CAN BE FOUND IN HLT ANALYSIS

3488

Instruction: Halt (HLT)

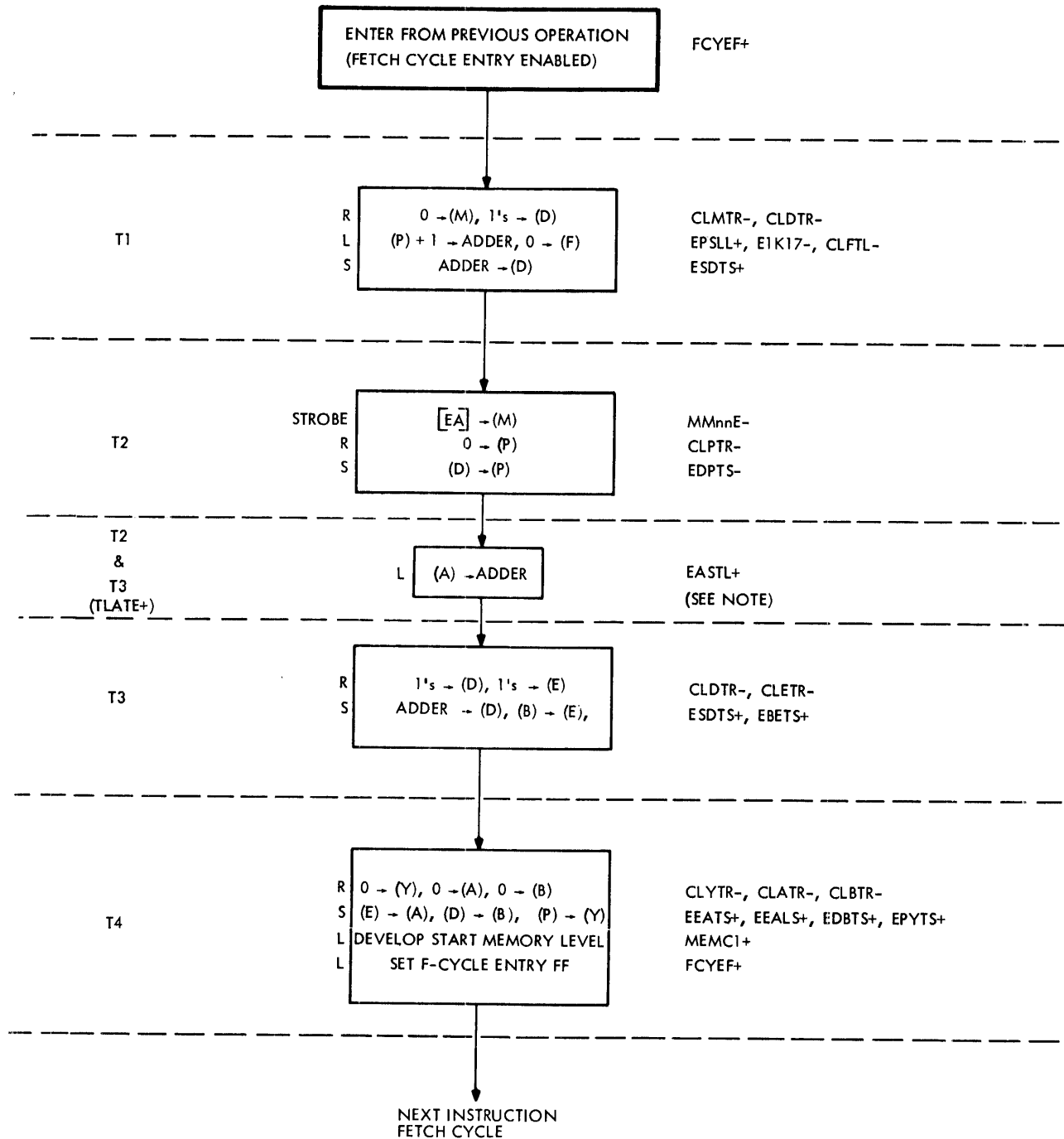
OP Code: 000000 Type: G, 1.5 cycles

Description: Set machine to halt mode

0	0	0	0	0	0	0	0	0	0	0	0	0	0	0	0
1	2	3	4	5	6	7	8	9	10	11	12	13	14	15	16

Execution Time (μsec): 1.44

Signal	Origin	Cyc	Tim	Clk	Signal Component	Origin	Destination	Operation Description
EPSSL+	128-H4	F	TLATE	L	(FCYEF+)(TLATE-)	128-F3	101--116-A10	Enable P-register to adder
E1K17-	127-L4	F	TLATE	L	(TLATE-)	127-J5	116-D7/D9	Force carry to adder
CLMTR-	128-K8	F	TL1	R	(MCRST+)(H0LDM-)(TL1FF+)	128-K8	101--116-H9	Clear M-register
CLDTR-	125-J5	F	TL1	R	(1CYEF-)(ACYEF-)(TL1FF+)	125-A5	101--116-E7	Clear D-register to ONEs
CLFTL-	125-J7	F	TL1	L	(1CYEF-)(ACYEF-)(TL1FF+)	125-A5	121-A5 120-B1 125-L10	Clear shift counter Clear F-register Clear AZZZZ F-F
ESDTS+	125-L4	F	TL1	S	(1CYEF-)(ACYEF-)(TL1FF+)	125-A5	101--116-D4-D8	Enable adder sum to D-register
MMnnE-	153/160				(SWnnA-)(STRB1+)	153/160	101--116-H8	Memory data set into M-register
CLPTR-	129-H10	F	TL2	R	(EDPTL+)(MCRST+)	129-D7/F9	101--116-H10	Clear P-register
EDPTS+	129-L9	F	TL2	S	(EDPTL+)(MCSET+)	129-D7/H9	101--116-G11	Enable D-register to P-register
EASTL+	127-L1	F	TLATE	L	(GEN0P+)(TLATE+)(M01FF-)	127-G11	101--116-A5	Enable A-register to adder
EMSHL+	127-L8	F	TLATE	L	(GEN0P+)(TLATE+)(M01FF-)	127-G11	101--107-A8	Enable M(1-7) to adder
ENSHL+	127-L7	F	TLATE	L	(GEN0P+)(TLATE+)(M01FF-)	127-G11	101--107-A9	Enable M-(1-7) to adder
EMSHL+	127-L10	F	TLATE	L	(GEN0P+)(TLATE+)(M01FF-)	127-G11	108--116-A8	Enable M(8-16) to adder
ENSSL+	127-L5	F	TLATE	L	(GEN0P+)(TLATE+)(M01FF-)	127-G11	108--116-A9	Enable M-(8-16) to adder
CLDTR-	125-J5	F	TL3	R	(TL3FF+)(ACYLF-)(MCRST+)	125-D6	101--116-E7	Clear D-register to ONEs
ESDTS+	125-L4	F	TL3	S	(TL3FF+)(10GRP-)(MCSET+)	125-D6	101--116-D4-D8	Enable adder sum to D-register
E1CTS-	125-H8	F	TL3	S	(GEN0B+)(TL3FF+)(M16FF-)(MCSET+)(AZZZZ-)	125-D8/H8	121-A8 126-F5	Set shift counter to all ONEs Repeat TL2 (RPTT2+)
SETAZ+	125-J9	F	TL3	L	(GEN0B+)(TL3FF+)(M16FF-)	125-D8	125-H9	Set AZZZZ F-F
RUNFF-	126-H2	F	TL2	R	(MCRST+)(TL2FF+)(GEN0B+)(M16FF-)(SCZR0-)(RESTR-)	126-F3	126-H1	Reset RUNFF
INCSC-	126-L3	F	TL2	L	(FCYEF+)(TL2FF+)	126-H3	121-A5	Enable increment shift counter
RUNFF+	126-H2				Depress and release START button (READYFF+)(P1L00-)	126-D3	126-H2	Set RUNFF
Repeat TLATE and TL3 with entry to TL4 (SCZR0+)(RPTT2-)								
CLYTR-	129-J3	F	TL4	R	(ACYNX-)(TL4FF+)(MCRST+)	129-D3	101--116-L11	Clear Y-register
EPYTS+	129-L4	F	TL4	S	(P1SEX-)(E01NS+)(0PGJS-)	129-D4/H4	101--116-K11	Enable P-register to Y-register
MEMC1+	126-J11	F	TL4	L	(TL4FF+)(SPM0D-)(TLAFF-)	126-F11/H11	150-C1	Enable set RCYF1+
RCYF1+	150-D1	F	TL4	S	(MCSET+)(MEMC1+)(RCYF1-)	150-C2	150-D1	Start memory cycle



NOTE: MISSING SIGNALS CAN BE
FOUND IN IAB ANALYSIS

IAB
1 CYCLE
OP CODE 000201

3391

Instruction: Interchange A and B (IAB)

OP Code: 000201 Type: Generic, 1 cycle

Description: (A) ⇌ (B)

0	0	0	0	0	0	0	0	1	0	0	0	0	0	0	1
1	2	3	4	5	6	7	8	9	10	11	12	13	14	15	16

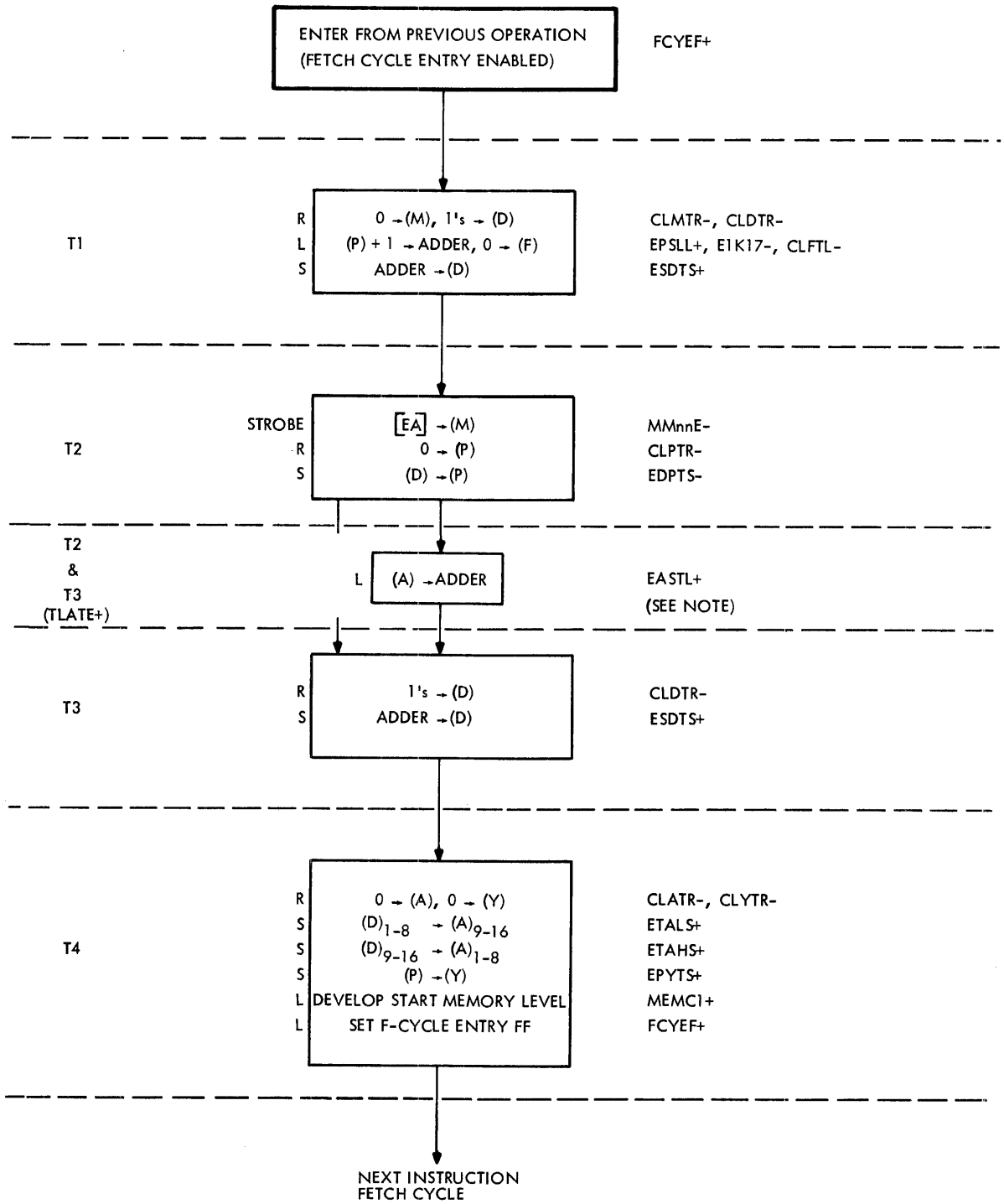
Execution Time (μsec): 0.96

Signal	Origin	Cyc	Tim	Clk	Signal Component	Origin	Destination	Operation Description
EPSLL+	128-H4	F	TLATE	L	(FCYEF+)(TLATE-)	128-F3	101--116-A10	Enable P-register to adder
E1K17-	127-L4	F	TLATE	L	(TLATE-)	127-J5	116-D7/D9	Force carry-in to bit 16
CLMTR-	128-K8	F	TL1	R	(MCRST+)(HOLDM-)(TL1FF+)	128-K8	101--116-H9	Reset M-register
CLDTR-	125-J5	F	TL1	R	(1CYEF-)(ACYEF-)(TL1FF+)	125-A5	101--116-E7	Clear D-register to ONEs
CLFTL-	125-J7	F	TL1	L	(1CYEF-)(ACYEF-)(TL1FF+)	125-A5	120-B1 121-A5 125-L10	Reset F-register Reset shift counter Reset AZZZZ+ F-F
ESDTS+	125-L4	F	TLATE	S	(1CYEF-)(ACYEF-)(TL1FF+)	125-A5	101--116-D4/D6/D8	Enable adder sum to D-register
MMnnE-	153/160				(SWnnA+)(STRB1+)	153/160	101--116-H8	Memory data set into M-register
CLPTR-	129-J10	F	TL2	R	(EDPTL+)*	129-F9	101--116-H10	Reset P-register
EDPTS+	129-L9	F	TL2	S	(EDPTL+)*	129-F9	101--116-G11	Enable D-register into P-register
EASTL+	127-L1	F	TLATE		(GEN0P+)(TLATE+)(M01FF-)	127-G10	101--116-A5	Enable A-register to adder
EMSLL+	127-L10	F	TLATE		(GEN0P+)(TLATE+)(M01FF-)	127-G10	108--116-A8	Enable M(8-16) to adder
EMSHL+	127-L8	F	TLATE		(GEN0P+)(TLATE+)(M01FF-)	127-G10	101--107-A8	Enable M(1-7) to adder
ENSLL+	127-L5	F	TLATE		(GEN0P+)(TLATE+)(M01FF-)	127-G10	108--116-A9	Enable M-(8-16) to adder
ENSHL+	127-L7	F	TLATE		(GEN0P+)(TLATE+)(M01FF-)	127-G10	101--107-A9	Enable M-(1-7) to adder
CLDTR-	125-J6	F	TL3	R	(TL3FF+)(ACYLF-)	125-D6	101--116-E7	Clear D-register to ONEs
CLETR-	125-J2	F	TL3	R	(TL3FF+)(GEN0P+)(M01FF-)(M09FF+)	125-D1	101--116-K3	Reset E-register
ESDTS+	125-L4	F	TL3	S	(TL3FF+)(10GRP-)	125-D6	101--116-D4/D6/D8	Enable adder sum into D-register
EBETS+	125-L1	F	TL3	S	(TL3FF+)(GEN0P+)(M01FF-)(M09FF+) @ 125-A1]	125-D1	101--116-J2	Enable B-register into E-register
CLYTR-	129-J3	F	TL4	R	(ACYNX-)(TL4FF+)(MCRST+)	129-D3	101--116-L11	Reset Y-register
CLATR-	122-H7	F	TL4	R	(CLATL+)*	122-F7	101--116-H5	Reset A-register
CLBTR-	123-J6	F	TL4	R	(M5G4G-)*	123-E2	101--116-H2	Reset B-register
EEATS+	122-L3	F	TL4	S	(M5G4G-)*	122-F3	101--110-G4	Enable E(1-10) into A(1-10)
EEALS+	122-J4	F	TL4	S	(M5G4G-)*	122-F3	101--116-G4	Enable E(11-16) into A(11-16)
EDBTS+	123-L2	F	TL4	S	(M5G4G-)*	123-E2	101--116-G3	Enable D-register into B-register
FCYEF+	119-F10	F	TL4	L	(Set: (TL4FF+)(E01NS+))	119-D10	119-H9	Enable set FCYLF+ at next TL1FF+
EPYTS+	129-L5	F	TL4	S	(P1SEX-)(E01NS+)(TL4FF+)(0PGJS-)	129-D4	101--116-J11	Enable P-register into Y-register
MEMC1+	126-J11	F	TL4	L	(MEMC1-)	126-G11	150-C1	Enable set RCYF1+
RCYF1+	150-D1	F	TL4	S	(MCSET+)(MEMC1+)(RCYF1-)	150-C2	XXXX	Start memory cycle

*EDPTL+ @ 129-F9 = (FCYEF+)(TL2FF+)(SCZR0+)(MEMAC-) @ 129-D8

*TLATE+ = ((TL2FF-)(TL3FF-)) @ 118-B7

*CLATL+ @ 122-F7 = (M5G4G-) @ 122-E7 = (GEN0B+)(TL4FF+)(M09FF+) @ 123-E2



NOTE: MISSING SIGNALS CAN BE FOUND IN ICA ANALYSIS

ICA
1 CYCLE
OP CODE 141340

3398

Instruction: Interchange Halves (ICA)
 OP Code: 141340 Type: G, 1 cycle
 Description: (A)₁₋₈ → (A)₉₋₁₆
 (A)₉₋₁₆ → (A)₁₋₈

1	1					1	0	1	1	1	0	0	0	0	0
1	2	3	4	5	6	7	8	9	10	11	12	13	14	15	16

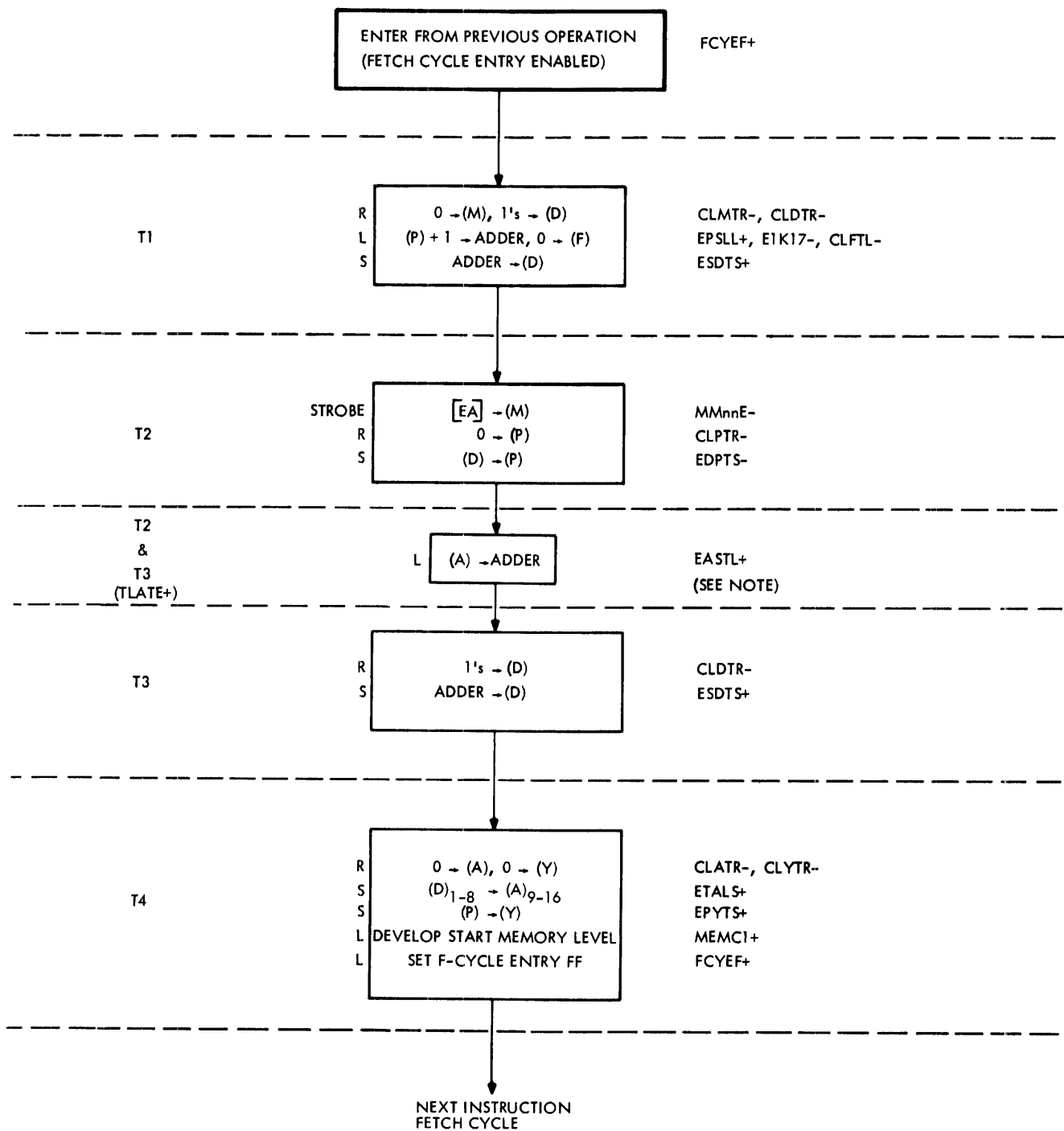
Execution Time (μsec): 0.96

Signal	Origin	Cyc	Tim	Clk	Signal Component	Origin	Destination	Operation Description
EPSLL+	128-H4	F	TLATE	L	(FCYEF+)(TLATE-)	128-F3	101--116-A10	Enable P-register to adder
E1K17-	127-L4	F	TLATE	L	(TLATE-)	127-J5	116-D7/D9	Force carry to adder
CLMTR-	128-K8	F	TL1	R	(MCRST+)(HOLDM-)(TL1FF+)	128-K8	101--116-H9	Clear M-register
CLDTR-	125-J5	F	TL1	R	(1CYEF-)(ACYEF-)(TL1FF+)	125-A5	101--116-E7	Clear D-register to ONES
JAMKN	127-J5	F	TL1	L	[(TLATE+)(ACYEF+)]-	127-C3	127-L4	Implement E1K17-
CLFTL-	125-J7	F	TL1	L	(1CYEF-)(ACYEF-)(TL1FF+)	125-A5	121-A5 120-B1 125-L10	Clear shift counter Clear F-register Clear AZZZZ F-F
ESDTS+	125-L4	F	TL1	S	(1CYEF-)(ACYEF-)(TL1FF+)	125-A5	101--116-D4-D8	Enable adder sum to D-register
MMnnE-	153/160				(SWnnA+)(STRB1+)	153/160	101--116-H8	Memory data set into M-register
CLPTR-	129-J10	F	TL2	R	(EDPTL+)(MCRST+)*	129-H9	101--116-H10	Clear P-register
EDPTS-	129-L9	F	TL2	S	(EDPTL+)(MCSET+)	129-H9	101--116-G11	Enable D-register into P-register
EASTL+	127-L1	F	TLATE	L	(GEN0P+)(TLATE+)(M02FF+)	129-G11	101--116-A5	Enable A-register to adder
CLDTR-	125-J5	F	TL3	R	(TL3FF+)(ACYLF-)	125-D6	101--116-E7	Clear D-register to ONES
ESDTS+	125-L4	F	TL3	S	(TL3FF+)(10GRP-)	125-D6	101--116-D4-D8	Enable adder sum to D-register
EMSHL+	127-L8	F	TLATE+	L	(GEN0P+)(TLATE+)(M02FF+)	127-G11	101--108-A8	Enable M(1-7) to adder
ENSHL+	127-L7	F	TLATE+	L	(GEN0P+)(TLATE+)(M02FF+)	127-G11	101--108-A9	Enable M-(1-7) to adder
EMSL+	127-L10	F	TLATE+	L	(GEN0P+)(TLATE+)(M02FF+)	127-G11	109--116-A8	Enable M(8-16) to adder
ENSL+	127-L5	F	TLATE+	L	(GEN0P+)(TLATE+)(M02FF+)	127-G11	109-116-A9	Enable M-(8-16) to adder
JAMKN	127-J3	F	TLATE	L	(GEN0P+)(M01FF+)(M02FF+)	127-G2	101--116-D6	Force carry network to ZERO
CLATR-	122-H7	F	TL4	R	(GEN0A+)(M11F+)(TL4FF+)	122-D5	101--116-H5	Clear A-register
CLYTR-	129-J3	F	TL4	R	(ACYNX-)(TL4FF+)(MCRST+)	129-D3	101--116-L11	Clear Y-register
ETALS+	122-K6	F	TL4	S	(GEN0A+)(M10FF+)(M11FF+)	122-D5/ H6	109-116-D4	Enable D(1-8) into A(9-16)
ETAHS+	122-L5	F	TL4	S	(GEN0A+)(M09FF+)(M11FF+)	122-D5/ H5	101--108-D4	Enable D(9-16) into A(1-8)
EPYTS+	129-L4	F	TL4	S	(P1SEX-)(E0INS+)(OPGJS-)	129-D4/ H4	101--116-K11	Enable P-register to Y-register
MEMC1+	126-J11	F	TL4	L	(TL4FF+)(SPM0D-)(TLAFF-)	126-F11/ H11	150-C1	Enable set RCYF1+
RCYF1+	150-D1	F	TL4	S	(MCSET+)(MEMC1+)(RCYF1-)	150-C2	150-D1	Start memory cycle

*See gate A1A44-F at 129-D8 for EDPTL+

ERROR

ERROR



NOTE: MISSING SIGNALS CAN BE FOUND IN ICL ANALYSIS

ICL
1 CYCLE
OP CODE 141140

Instruction: Interchange and Clear Left Half (ICL)

OP Code: 141140 Type: G, 1 cycle

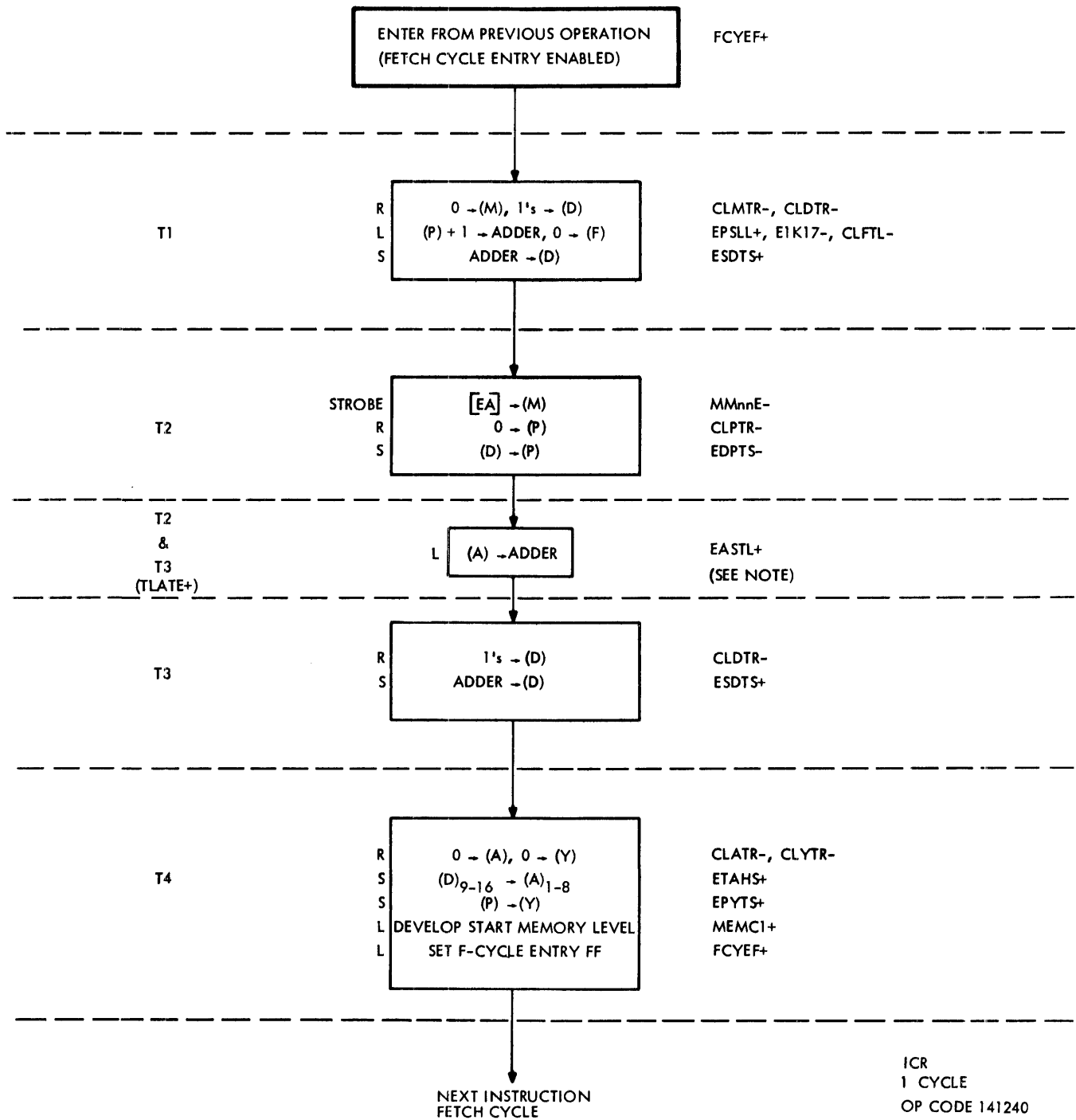
Description: (A)₁₋₈ → (A)₉₋₁₆
0 → (A)₁₋₈

1	1	0	0	0	0	1	0	0	1	1	0	0	0	0	0
1	2	3	4	5	6	7	8	9	10	11	12	13	14	15	16

Execution Time (μsec): 0.96

Function	Origin	Cyc	Tim	Clk	Boolean Expression	Origin	Destination	Operation Description
EPSSL+	128-H4	F	TLATE	L	(FCYEF+)(TLATE-)	128-F3	101--116-A10	Enable P-register to adder
E1K17-	127-L4	F	TLATE	L	(TLATE-)	127-J5	116-D7-D9	Force carry to adder
CLMTR-	128-K8	F	TL1	R	(MCRST+)(HOLDM-)(TL1FF+)	128-K8	101--116-H9	Clear M-register
CLDTR-	125-J5	F	TL1	R	(1CYEF-)(ACYEF-)(TL1FF+)	125-A5	101--116-E7	Clear D-register to ONES
CLFTL-	125-J7	F	TL1	L	(1CYEF-)(ACYEF-)(TL1FF+)	125-A5	120-B1 121-A5 125-L10	Clear F-register Clear shift counter Clear AZZZZ FF
ESDTS+	125-L4	F	TL1	S	(1CYEF-)(ACYEF-)(TL1FF+)	125-A5	101--116-D4-D8	Enable adder sum to D-register
MMnnE-	153/160				(SWnnA+)(STRB1+)	153/160	101--116-H8	Memory data set into M-register
CLPTR-	129-J10	F	TL2	R	(EDPTL+)(MCRST+)*	129-H10	101--116-H10	Clear P-register
EDPTS-	129-L9	F	TL2	S	(EDPTL+)(MCSET+)	129-H9	101--116-G11	Enable D-register into P-register
ESDTS+	125-L4	F	TL3	S	(TL3FF+)(10GRP-)	125-D6	101--116-D4-D8	Enable adder sum to D-register
EMSHL+	127-L8	F	TLATE	L	(GEN0P+)(TLATE+)(M02FF+)	127-G11	101--108-A8	Enable M(1-7) to adder
ENSHL+	127-L7	F	TLATE	L	(GEN0P+)(TLATE+)(M02FF+)	127-G11	101--108-A9	Enable M-(1-7) to adder
EMSLL+	127-L10	F	TLATE	L	(GEN0P+)(TLATE+)(M02FF+)	127-G11	109--116-A8	Enable M(8-16) to adder
ENSLL+	127-L5	F	TLATE	L	(GEN0P+)(TLATE+)(M02FF+)	127-G11	109--116-A9	Enable M-(8-16) to adder
JAMKN-	127-J3	F	TLATE	L	(GEN0P+)(M01FF+)(M02FF+)	127-C2	101--116-D6	Force carry network to ZERO
EASTL+	127-L1	F	TLATE	L	(GEN0P+)(TLATE+)(M02FF+)	129-G11	101--116-A5	Enable A-register to adder
CLDTR-	127-J5	F	TL3	R	(TL3FF+)(ACYLF-)	125-D6	101--116-E7	Clear D-register to ONES
CLATR-	122-H7	F	TL4	R	(GEN0A+)(M11FF+)(TL4FF+)	122-D5	101--116-H5	Clear A-register
CLYTR-	129-J3	F	TL4	R	(ACYNX-)(TL4FF+)(MCRST+)	129-D3	101--116-L11	Clear Y-register
ETALS+	122-K6	F	TL4	S	(GEN0A+)(M10FF+)(M11FF+)	122-D5/ H6	109--116-D4	Enable D-register (1-8) into A-register (9-16)
EPYTS+	129-L4	F	TL4	S	(P1SEX-)(E01NS+)(0PGJS-)	129-D4/ H4	101--116-K11	Enable P-register to Y-register
MEMC1+	126-J11	F	TL4	L	(TL4FF+)(SPMOD-)(TLAFF-)	126-F11/ H11	150-C1	Enable set RCYF1+
RCYF1+	150-D1	F	TL4	S	(MCSET+)(MEMC1+)(RCYF1-)	150-C2	150-D1	Start memory cycle

* See gate A1A44-F at 129-D8 for EDPTL+



NOTE: MISSING SIGNALS CAN BE FOUND IN ICR ANALYSIS

5596

Instruction: Interchange and Clear Right Half (ICR)

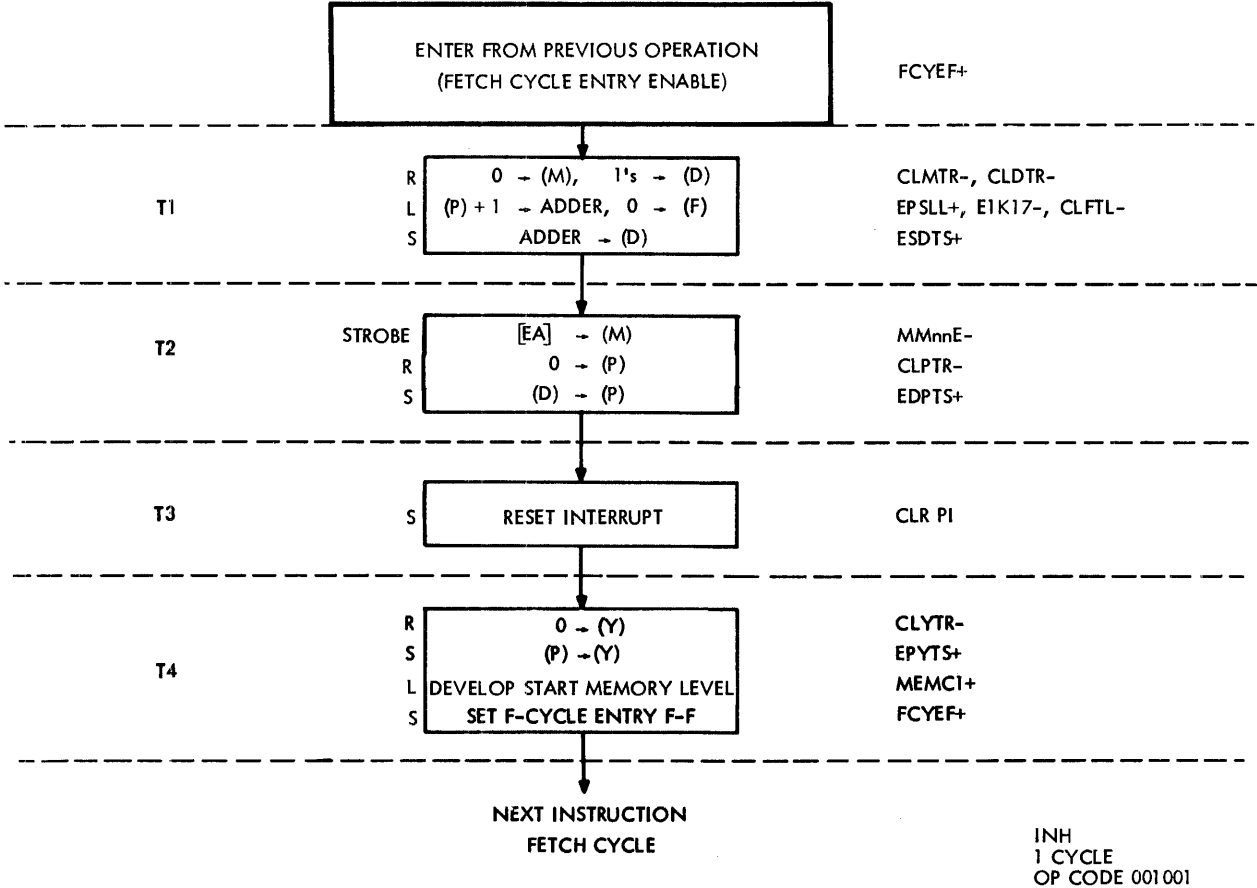
OP Code: 141240 Type: G, 1 cycle

Description: (A)₉₋₁₆ → (A)₁₋₈
0 → (A)₉₋₁₆

1	1	0	0	0	0	1	0	1	0	1	0	0	0	0	0
1	2	3	4	5	6	7	8	9	10	11	12	13	14	15	16

Execution Time (μsec): 0.96

Signal	Origin	Cyc	Tim	Clk	Signal Component	Origin	Destination	Operation Description
EPSLL+	128-H4	F	TLATE	L	(FCYEF+)(TLATE-)	128-F3	101--116-A10	Enable P-register to adder
EIK17-	127-L4	F	TLATE	L	(TLATE-)	127-J5	116-D7/D9	Force carry to adder
CLFTL-	125-J7	F	TL1	L	(1CYEF-)(ACYEF-)(TL1FF+)	125-A5	120-B1 121-A5 125-L10	Clear F-register Clear shift counter Clear AZZZ F-F
CLMTR-	128-K8	F	TL1	R	(MCRST+)(HOLDM-)(TL1FF+)	128-K8	101--116-H9	Clear M-register
CLDTR-	125-J5	F	TL1	R	(1CYEF-)(ACYEF-)(TL1FF+)	125-A5	101--116-E7	Clear D-register to ONEs
ESDTS+	125-L4	F	TL1	S	(1CYEF-)(ACYEF-)(TL1FF+)	125-A5	101--116-D4-D8	Enable adder sum to D-register
MMnnE-	153/160				(SWnnA+)(STRB1+)	153/160	101--116-H8	Memory data set into M-register
CLPTR-	129-J10	F	TL2	R	(EDPTL+)(MCRST+) *	129-H10	101--116-H10	Clear P-register
EDPTS-	129-L9	F	TL2	S	(EDPTL+)(MCSET+)	129-H9	101--116-G11	Enable D-register into P-register
EASTL+	127-L1	F	TLATE	L	(GEN0P+)(TLATE+)(M02FF+)(M09FF+)	127-G11	101--116-A5	Enable A-register to adder
EMSHL+	127-L8	F	TLATE	L	(GEN0P+)(TLATE+)(M02FF+)(M09FF+)	127-G11	101--108-A8	Enable M(1-7) to adder
ENSHL+	127-L7	F	TLATE	L	(GEN0P+)(TLATE+)(M02FF+)(M09FF+)	127-G11	101--108-A9	Enable M-(1-7) to adder
EMSLL+	127-L10	F	TLATE	L	(GEN0P+)(TLATE+)(M02FF+)(M09FF+)	127-G11	109--116-A8	Enable M(8-16) to adder
ENSLL+	127-L5	F	TLATE	L	(GEN0P+)(TLATE+)(M02FF+)(M09FF+)	127-G11	109--116-A9	Enable M-(8-16) to adder
*See gate A1A44-F at 129-D8 for EDPTL+								
CLDTR-	127-J5	F	TL3	R	(TL3FF+)(ACYLF-)	125-D6	101--116-E7	Clear D-register to ONEs
ESDTS+	125-L4	F	TL3	S	(TL3FF+)(10GRP-)	125-D6	101--116-D4-D8	Enable adder sum to D-register
CLATR-	122-H7	F	TL4	R	(GEN0A+)(M11FF+)(TL4FF+)	122-D5	101--116-H5	Clear A-register
ETAHS+	122-L5	F	TL4	S	(GEN0A+)(M09FF+)(M11FF+)	122-D5/H5	101--108-D4	Enable D(9-16) into A(1-8)
CLYTR-	129-J3	F	TL4	R	(ACYNX-)(TL4FF+)(MCRST+)	129-D3	101--116-L11	Clear Y-register
EPYTS+	129-L4	F	TL4	S	(P1SEX-)(E01NS+)(0PGJS-)	129-D4/H4	101--116-K11	Enable P-register to Y-register
MEMC1+	126-J11	F	TL4	L	(TL4FF+)(SPM0D-)(TLAFF-)	126-F11/H11	150-C1	Enable set RCYF1+
RCYF1+	150-D1	F	TL4	S	(MCSET+)(MEMC1+)(RCYF1-)	150-C2	150-D1	Start memory cycle



3810

Instruction: Inhibit Program Interrupt (INH)

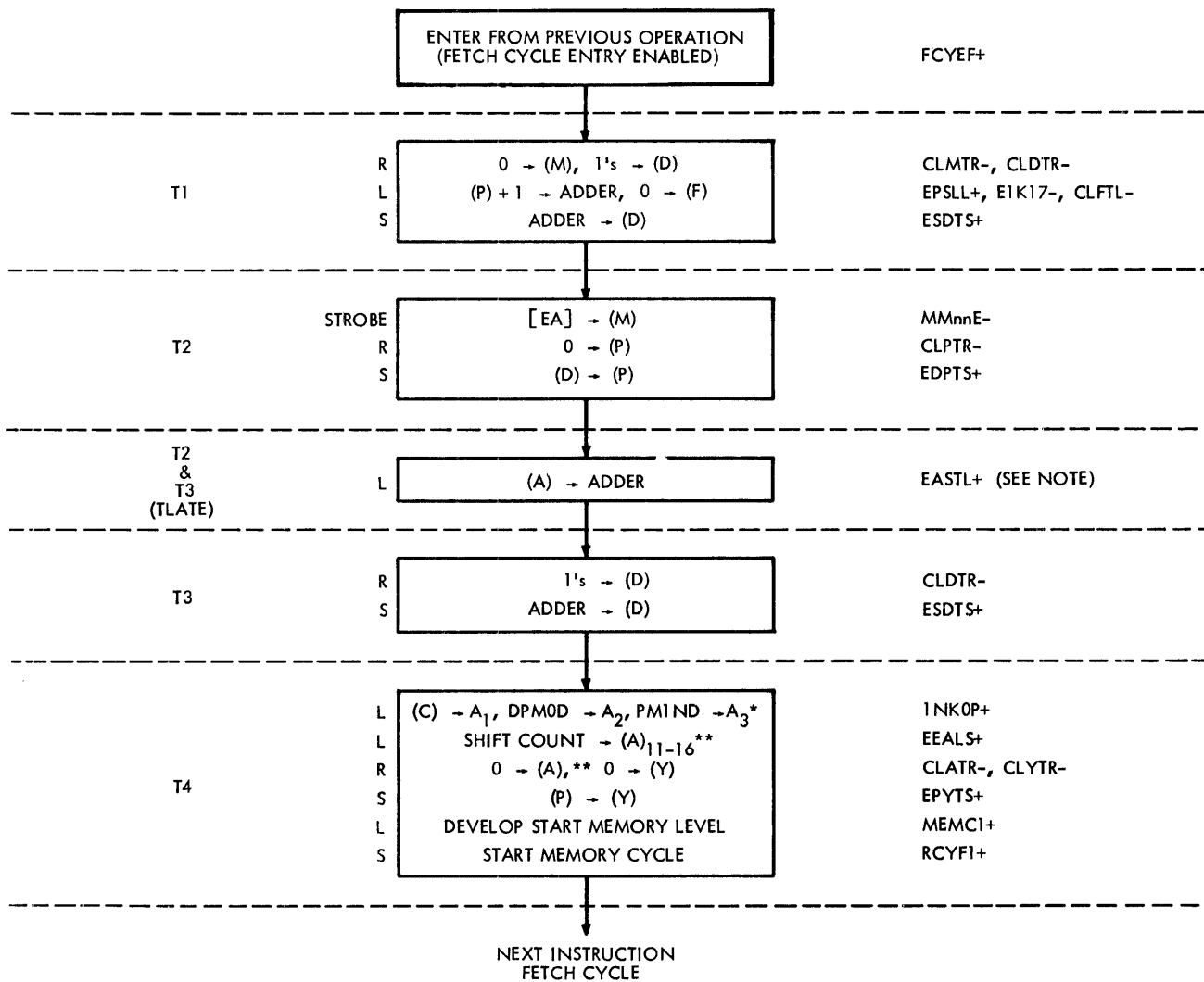
OP Code: 001001 Type: G, 1 cycle

Description: Set machine status to inhibit interrupt

0	0	1	0	0	0	1	0	0	0	0	0	0	0	0	1
1	2	3	4	5	6	7	8	9	10	11	12	13	14	15	16

Execution Time (μsec): 0.96

Signal	Origin	Cyc	Tim	Clk	Signal Component	Origin	Destination	Operation Description
EPSSL+	128-H4	F	TLATE	L	(FCYEF+)(TLATE-)	128-F3	101--116-A10	Enable P-register to adder
E1K17-	127-L4	F	TLATE	L	(TLATE-)	127-C3/ J6	116-D7-D9	Force carry to adder
CLMTR-	128-K8	F	TL1	R	(MCRST+)(HOLDM-)(TL1FF+)	128-K8	101--116-H9	Clear M-register
CLDTR-	125-J5	F	TL1	R	(1CYEF-)(ACYEF-)(TL1FF+)	125-A5	101--116-E7	Clear D-register to ONEs
CLFTL-	125-J7	F	TL1	L	(1CYEF-)(ACYEF-)(TL1FF+)	125-A5	120-B1 121-A5 125-L12	Clear F-register Clear shift counter Clear AZZZZ F-F
ESDTS+	125-L4	F	TL1	S	(1CYEF-)(ACYEF-)(TL1FF+)	125-A5	101--116-D4- D8	Enable adder sum to D-register
MMnnE-	153/160				(SWnnA-)(STRB1+)	153/160	101--116-H8	Memory data set into M-register
CLPTR-	129-J10	F	TL2	R	(FCYEF+)(TL2FF+)(SCZR0+)(MEMAC-)(MCRST+)	129-D7/ H9	101--116-H10	Clear P-register
EDPTS+	129-L9	F	TL2	S	(FCYEF+)(TL2FF+)(SCZR0+)(MEMAC-)(MCSET+)	129-H9	101--116-G11	Enable D-register to P-register
CLR P1	134-A2	F	TL3	S	(GEN0B+)(M07FF+)(TL3FF+)(MCSET+)	134-A2	134-E4	Inhibit interrupt
CLYTR-	129-J3	F	TL4	R	(SCZR0-)(TL4FF+)(MCRST+)	129-D2	101--116-G7	Clear Y-register
EPYTS+	129-L5	F	TL4	S	(P1SEX-)(E01NS+)(TL4FF+)(0PGJS-)(MCSET+)	129-D4	101--116-K11	Enable P-register to Y-register
MEMC1+	126-J11	F	TL4	L	(TL4FF+)(SPM0D-)(TLAFF-)	126-F11/ H11	150-C1	Enable set RCYF1+
RCYF1+	150-D1	F	TL4	S	(MCSET+)(MEMC1+)(RCYF1-)	150-C2	150-D1	Start memory cycle



NOTE: MISSING SIGNALS CAN BE FOUND IN INK ANALYSIS

* APPLICABLE ONLY WHEN COMPUTER IS EQUIPPED WITH MEMORY EXPANSION OPTION

** APPLICABLE ONLY WHEN COMPUTER IS EQUIPPED WITH HIGH SPEED ARITHMETIC UNIT OPTION

3679

INK
1 CYCLE
OP CODE 000043

Instruction: Input Keys (INK)

0	0	0	0	0	0	0	0	0	0	1	0	0	0	1	1
1	2	3	4	5	6	7	8	9	10	11	12	13	14	15	16

OP Code: 000043

Type: G, 1 cycle

Description: (C) → A₁

(PM1) → A₃

(DP Mode) → A₂

0 → (A)₄₋₁₁

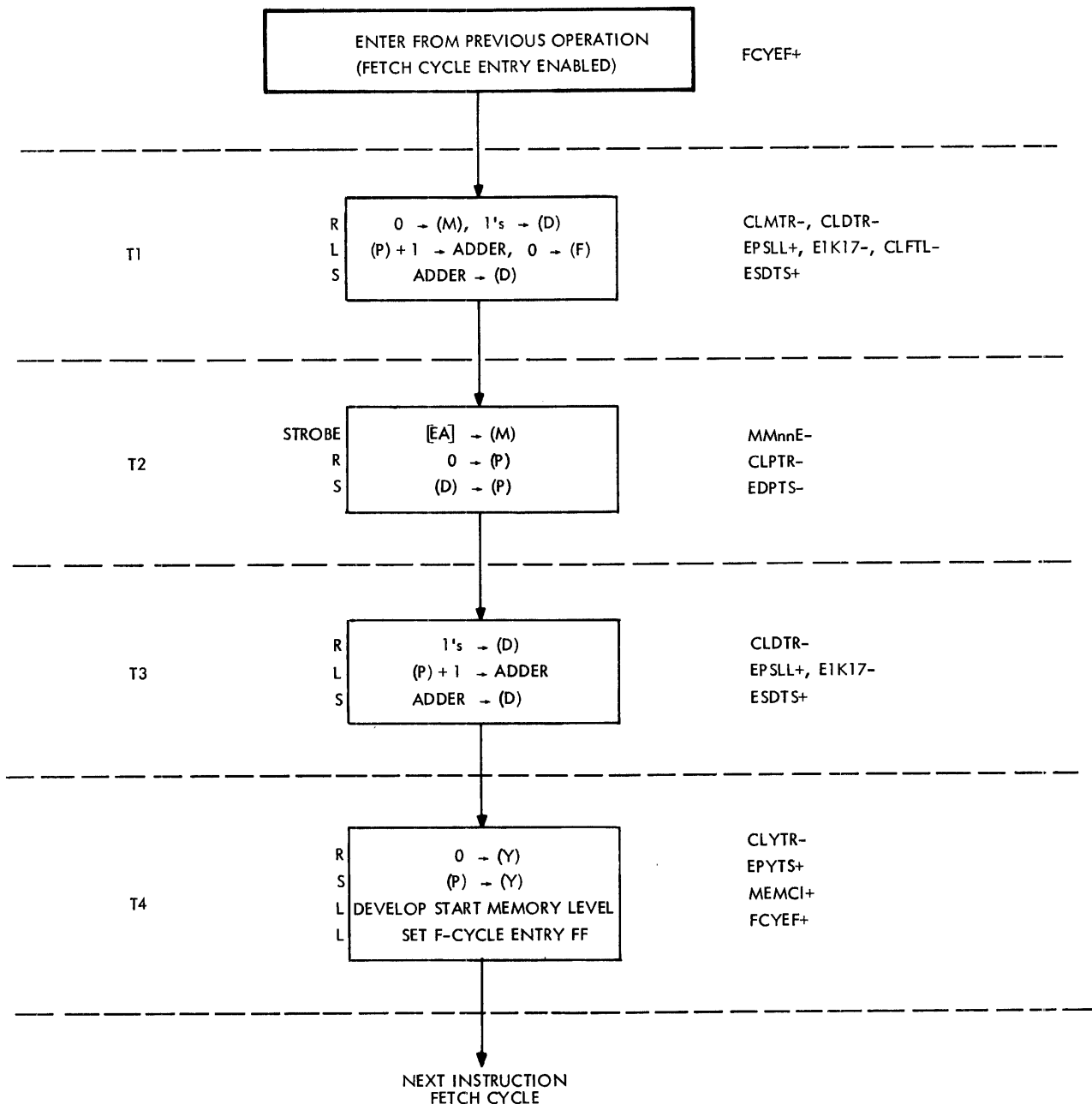
Shift count → (A)₁₂₋₁₆

Execution Time (μsec): 0.96

Signal	Origin	Cyc	Tim	Clk	Signal Component	Origin	Destination	Operation Description
EPSSL+	128-H4	F	TLATE-	L	(FCYEF+)(TLATE-)	128-F3	101--116-A10	Enable P-register to adder
EIK17-	127-L4	F	TLATE-	L	(TLATE-)	127-J5	116-D7/D9	Force carry to adder
CLFTL-	125-J7	F	TL1	L	(1CYEF-)(ACYEF-)(TL1FF+)	125-A5	120-B1 121-A5 125-L10	Reset F-register Reset shift counter Reset AZZZZ FF
CLMTR-	128-K8	F	TL1	R	(MCRST+)(HOLDM-)(TL1FF+)	128-K8	101--116-H9	Reset M-register
CLDTR-	125-J5	F	TL1	R	(1CYEF-)(ACYEF-)(TL1FF+)(MCRST+)	125-A5	101--116-E7	Clear D-register to ONES
ESDTS+	125-L4	F	TL1	S	(1CYEF-)(ACYEF-)(TL1FF+)(MCSET+)	125-A5	101--116-D4-D8	Enable adder sum to D-register
MMnnE-	153/160				(SWnnA+)(STRB1+)	153/160	101--116-H8	Memory data set into M-register
CLPTR-	129-J10	F	TL2	R	(FCYEF+)(TL2FF+)(SCZR0+)(MEMAC-)(MCRST+)	129-D8	101--116-H10	Clear P-register
EDPTS+	129-L9	F	TL2	S	(FCYEF+)(TL2FF+)(SCZR0+)(MEMAC-)(MCSET+)	129-H9	101--116-G11	Enable D-register into P-register
EASTL+	127-L1	F	TLATE	L	(GEN0P+)(TLATE+)(M01FF-)	127-G9	101--116-A5	Enable A-register to adder
EMSHL+	127-L8	F	TLATE	L	(GEN0P+)(TLATE+)(M01FF-)	127-G9	101--107-A8	Enable M(1-7) to adder
ENSHL+	127-L7	F	TLATE	L	(GEN0P+)(TLATE+)(M01FF-)	127-G9	101--107-A9	Enable M-(1-7) to adder
EMSLL+	127-L10	F	TLATE	L	(GEN0P+)(TLATE+)(M01FF-)	127-G9	107--116-A8	Enable M(8-16) to adder
ENSLL+	127-L5	F	TLATE	L	(GEN0P+)(TLATE+)(M01FF-)	127-G9	108--116-A9	Enable M-(8-16) to adder
CLDTR-	125-J6	F	TL3	R	(TL3FF+)(ACYLF-)(MCRST+)	125-D6	101--116-E7	Clear D-register to ONES
ESDTS+	125-L4	F	TL3	S	(TL3FF+)(ACYLF-)(MCSET+)	125-D6	101--116-D4-D8	Enable adder sum to D-register
INK0P+	122-L8	F	TL4	L	(GEN0B+)(M11FF+)(M15FF+)(TL4FF+)	122-G8	101--103-J6	CB1TF into A ₁ DPM0D into A ₂ PMIND into A ₃ *
EEALS+**	122-K4	A	TL4	L	(GEN0B+)(M11FF+)(TL4FF+)	122-D4	111--116-G4	Enable E(11-16) into A(11-16)
MEMC1+	126-J11	F	TL4	L	(TL4FF+)(SPM0D-)(TLAFF-)	126-F11/H11	150-C1	Enable set RCYF1+
CLATR-**	122-H7	A	TL4	R	(GEN0B+)(M11FF+)(TL4FF+)(MCRST+)	122-D4	101--116-H5	Clear A-register
CLYTR-	129-J3	F	TL4	R	(ACYNX-)(TL4FF+)(MCRST+)	128-D3	101--116-L11	Clear Y-register
EPYTS+	129-L4	F	TL4	S	(P1SEX-)(E01NS+)(OPGJS-)(MCSET+)	129-D4/H4	101--116-K11	Enable P-register to Y-register
RCYF1+	150-D1	F	TL4	S	(MCSET+)(MEMC1+)(RCYF1-)	150-C2	150-D1	Start memory cycle

*Applicable only when computer is equipped with Memory Expansion Option

**Applicable only when computer is equipped with high speed Arithmetic Unit Option



NOP
1 CYCLE
OP CODE 101000

Instruction: No Operation (NOP)

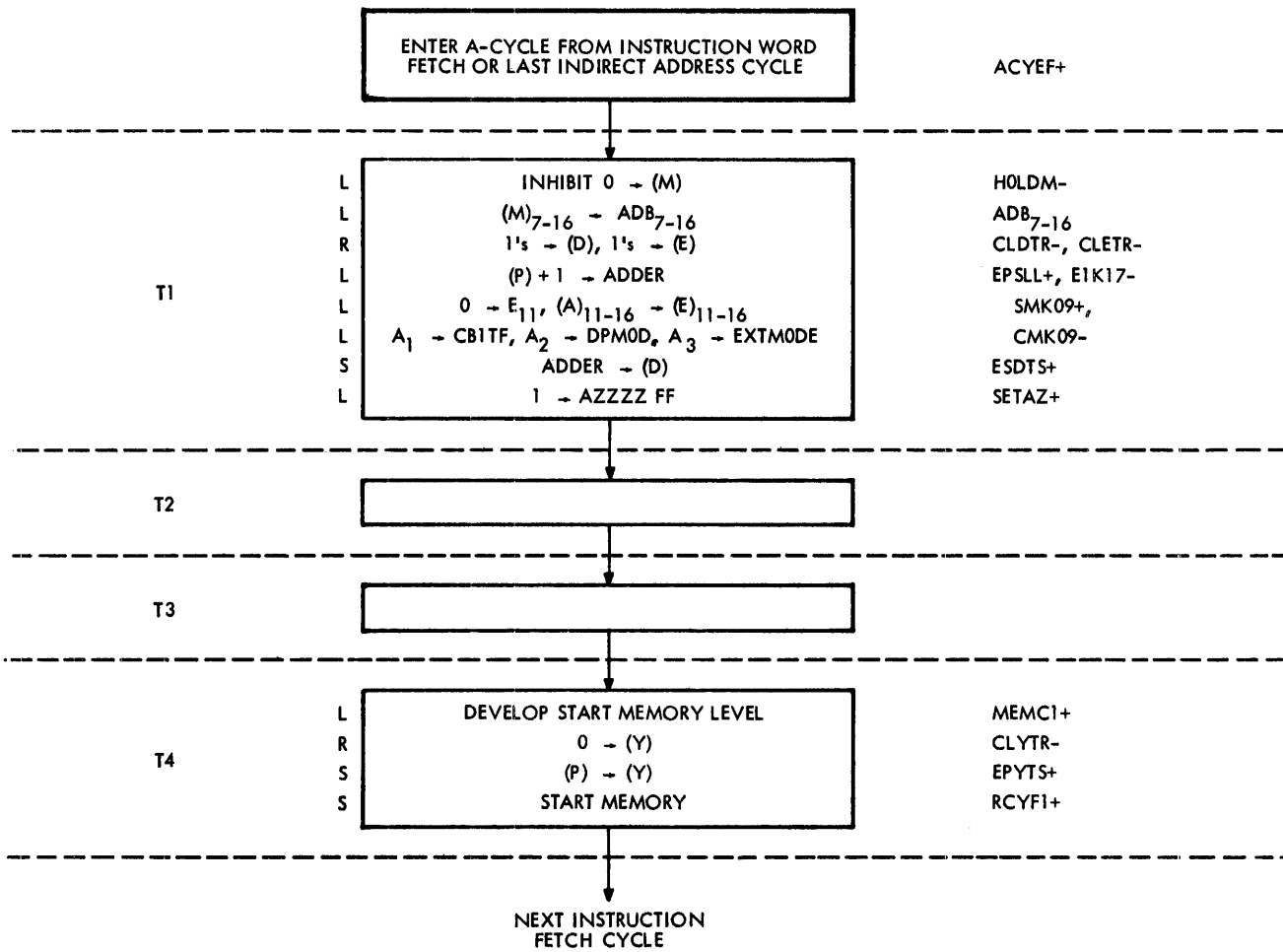
OP Code: 101000 Type: G, 1 cycle

Description: No operation

1	0	0	0	0	0	1	0	0	0	0	0	0	0	0	0
1	2	3	4	5	6	7	8	9	10	11	12	13	14	15	16

Execution Time (μsec): 0.96

Signal	Origin	Cyc	Tim	Clk	Signal Component	Origin	Destination	Operation Description
EPSLL+	128-H4	F	TLATE	L	(FCYEF+)(TLATE-)	128-H8	101--116-A10	Enable P-register to adder
EIK17-	127-L4	F	TLATE	L	(TLATE-)	127-L4	116-D7-D9	Force carry to adder
CLMTR-	128-K8	F	TL1	R	(MCRST+)(HOLDM-)(TL1FF+)	128-K8	101--116-H9	Clear M-register
CLDTR-	125-J5	F	TL1	R	(1CYEF-)(ACYEF-)(TL1FF+)	125-A5	101--116-E7	Clear D-register to ONEs
CLFTL-	125-J7	F	TL1	L	(1CYEF-)(ACYEF-)(TL1FF+)	125-A5	120-B1 121-A5 125-L12	Clear F-register Clear shift counter Clear AZZZZ F-F
ESDTS+	125-L4	F	TL1	S	(1CYEF-)(ACYEF-)(TL1FF+)	125-A5	101--116-D4-D8	Enable adder sum to D-register
MMnnE-	153/160				(SWnnA-)(STRB1+)	153/160	101--116-H8	Memory data set into M-register
CLPTR-	129-J10	F	TL2	R	(FCYEF+)(TL2FF+)(SCZR0+)(MEMAC-)(MCRST+)	129-D7/H9	101--116-H10	Clear P-register
EDPTS+	129-L9	F	TL2	S	(FCYEF+)(TL2FF+)(SCZR0+)(MEMAC-)(MCSET+)	129-H9	101--116-G11	Enable D-register to P-register
EPSLL+	128-H4				(SKGRP+)	128-H8	101--116-A10	Enable P-register to adder
EIK17-	127-L4				(SKGRP+)	127-J6	116-D7-D9	Force carry to adder
CLDTR-	125-J5	F	TL3	R	(TL3FF+)(ACYLF-)(MCRST+)	125-D5	101--116-E7	Clear D-register to ONEs
ESDTS+	125-L4	F	TL3	S	(10GRP-)(TL3FF+)(MCSET+)	125-D6	101--116-D4-D8	Enable adder sum to D-register
CLYTR-	129-J3	F	TL4	R	(ACYLF-)(TL4FF+)(MCRST+)	129-A1/D3	101--116-L11	Clear P-register
EPYTS+	129-L4	F	TL4	S	(P1SEX-)(E01NS+)(TL4FF+)(0PGJS-)(MCSET+)	129-D4	101--116-K11	Enable P-register to Y-register
MEMC1+	126-J11	F	TL4	L	(TL4FF+)(SPM0D-)(TLAFF-)	126-F11, H11	150-C1	Enable set RCYF1+
RCYF1+	150-D1	F	TL4	S	(MCSET+)(MEMC1+)(RCYF1-)	150-C2	150-D1	Start memory cycle

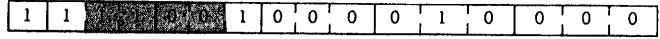


3878

OTK
2 CYCLES
OP CODE 171020

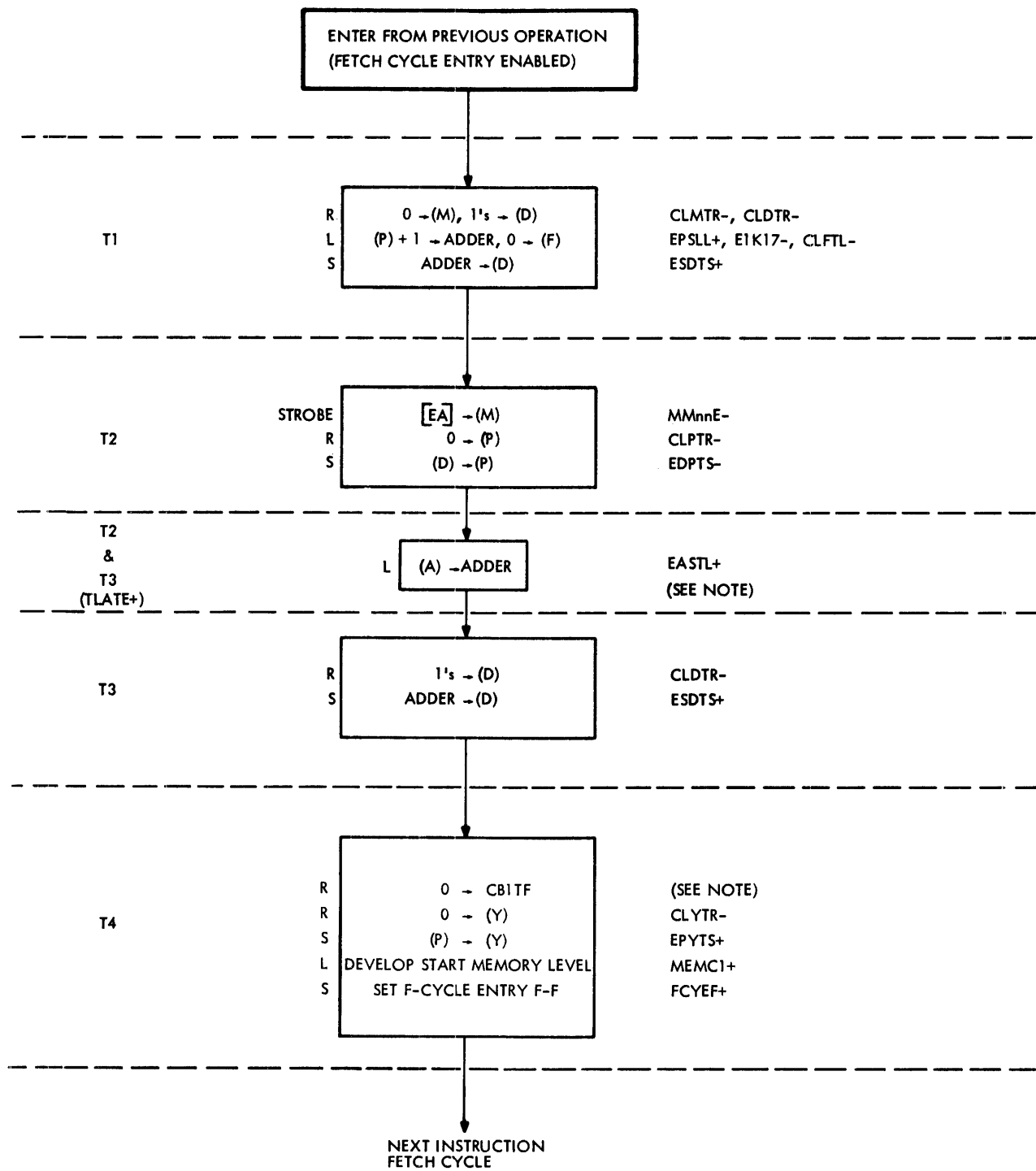
Instruction: Output Keys (OTK)

OP Code: 171020 Type: I/O, 2 cycles



Description: A1 → (C) A3 → (Ext mode) 1 2 3 4 5 6 7 8 9 10 11 12 13 14 15 16
 A2 → (DP Mode) 0 → E11
 (A)11-16 = Shift count → (E)11-16 Execution Time (μsec): 1.92

Signal	Origin	Cyc	Tim	Clk	Signal Component	Origin	Destination	Operation Description
ADB7-16	138-11				(DMCCY-)(M_FF+)	138-11		(See main frame wire list)
OTB01-16	138-E/L				(A01FF+) through (A16FF+)	138-C/J		(See main frame wire list)
EPSLL+	128-H4				(10GRP+)	128-D5	101--116-A10	Enable P-register to adder
SMK09+	122-L9				(SMKXX+)(FCX00+)(ADB07+)	122-G9	122-L7 111-L4 112-116-L4	Enable generate CMK09- Reset E-register bit 11 Enable A(11-16) into E(11-16)
							124-F2	Enable reset CB1TF
HOLDM-	128-H8				(10GRP+)(ACYEF+)	128-H8	128-K8	Inhibit M-register clear
CLDTR-	125-J5	A	TL1	R	(ACYEF+)(TL1FF+)(JSTOP-) (1RS0P-)(1MA0P-)(MCRST+)	125-D4	101--116-E7	Clear D-register to ONEs
E1K17-	127-L4	A	TL1	L	(ACYLF+)(SUB0P-)	127-A6/ E7	116-D7-D9 117-B1	Force carry to adder
CMK09-	122-L7	A	TL1	L	(SMK09+)(TL1FF+)	122-L7	124-F2 125-E2	Enable set CB1TF Enable generate CLETR
ESDTS+	125-L4	A	TL1	S	(ACYEF+)(TL1FF+)(JSTOP-) (1RS0P-)(1MA0P-)(MCSET+)	125-D4	101--116-D4- D8	Enable adder sum to D-register
SETAZ+	125-J9	A	TL1	L	(SMKXX-)	125-J9	125-L9	Set AZZZZ on trailing edge of MCSET
MEMC1+	126-J11	A	TL4	L	(TL4FF+)(SPM0D-)(TLAFF-)	126-F11/ H11	150-C1	Enable set RCYF1+
CLYTR-	129-J3	A	TL4	R	(ACYNX-)(TL4FF+)(MCRST+)	129-B1/ D1	101--116-G7	Clear Y-register
EPYTS+	129-L5	A	TL4	S	(P1SEX-)(E01NS+)(TL4FF+) (0PGJS-)(MCSET+)(DMCRQ-)	129-D4/ H4	101--116-K11	Enable P-register into Y-register
RCYF1+	150-D1	A	TL4	S	(MCSET+)(MEMC1+)(RCYF1-)	150-C2	150-D1	Start memory cycle



NOTE: MISSING SIGNALS CAN BE
FOUND IN RCB ANALYSIS

RCB
1 CYCLE
OP CODE 140200

3402

Instruction: Reset C to ZERO (RCB)

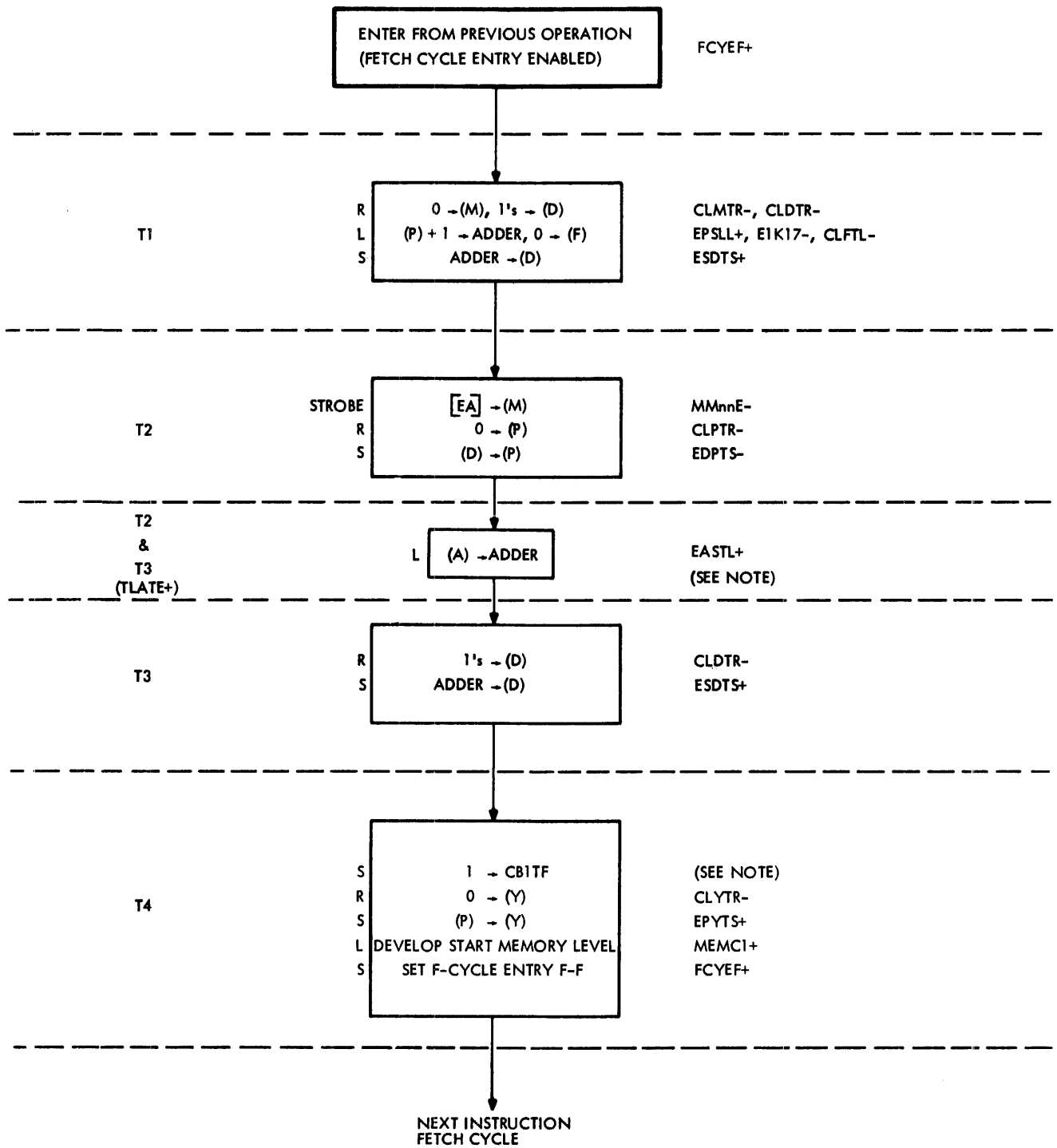
OP Code: 140200 Type: G, 1 cycle

Description: 0 → (C)

1	1	0	0	0	0	0	0	1	0	0	0	0	0	0	0
1	2	3	4	5	6	7	8	9	10	11	12	13	14	15	16

Execution Time (μsec): 0.96

Signal	Origin	Cyc	Tim	Clk	Signal Component	Origin	Destination	Operation Description
EPSLL+	128-H4	F	TLATE	L	(FCYEF+)(TLATE-)	128-F3	101--116-A10	Enable P-register to adder
E1K17-	127-L4	F	TLATE	L	(TLATE-)	127-C3/ J6	116-D7-D9	Force carry to adder
CLMTR-	128-K8	F	TL1	R	(MCRST+)(HOLDM-)(TL1FF+)	128-K8	101--116-H9	Clear M-register
CLDTR-	125-J5	F	TL1	R	(1CYEF-)(ACYEF-)(TL1FF+)	125-A5	101--116-E7	Clear D-register to ONEs
CLFTL-	125-J7	F	TL1	L	(1CYEF-)(ACYEF-)(TL1FF+)	125-A5	120-B1 121-A5 125-L12	Clear F-register Clear shift counter Clear AZZZZ F-F
ESDTS+	125-L4	F	TL1	S	(1CYEF-)(ACYEF-)(TL1FF+)	125-A5	101--116-D4-D8	Enable adder sum to D-register
MMnnE-	153/160				(SWnnA-)(STRB1+)	153/160	101--116-H8	Memory data set into M-register
CLPTR-	129-J10	F	TL2	R	(FCYEF+)(TL2FF+)(SCZR0+)(MEMAC-)(MCRST+)	129-D7/ H9	101--116-H10	Clear P-register
EDPTS+	129-L9	F	TL2	S	(FCYEF+)(TL2FF+)(SCZR0+)(MEMAC-)(MCSET+)	129-H9	101--116-G11	Enable D-register to P-register
EASTL+	127-L1	F	TLATE	L	(GEN0P+)(TLATE+)(M02FF+)(M09FF+)	127-G11	101--116-A5 117 B/D	Enable A-register to adder
JAMKN-	127-J3	F	TLATE	L	(GEN0P+)(TLATE+)(M02FF+)(M09FF+)	127-G11	101--116-D6	Jam carry network
EMSHL+	127-L8	F	TLATE	L	(GEN0P+)(TLATE+)(M02FF+)(M09FF+)	127-G11	101--107-A8	Enable M(1-7) to adder
ENSHL+	127-L7	F	TLATE	L	(GEN0P+)(TLATE+)(M02FF+)(M09FF+)	127-G11	101--107-A9	Enable M-(1-7) to adder
EMSLL+	127-L10	F	TLATE	L	(GEN0P+)(TLATE+)(M02FF+)(M09FF+)	127-G11	108--116-A8	Enable M(8-16) to adder
ENSLL+	127-L5	F	TLATE	L	(GEN0P+)(TLATE+)(M02FF+)(M09FF+)	127-G11	108--116-A9	Enable M-(8-16) to adder
CLDTR-	125-J5	F	TL3	R	(TL3FF+)(ACYLF-)(MCRST+)	125-D5	101--116-E7	Clear D-register to ONEs
ESDTS+	125-L4	F	TL3	S	(TL3FF+)(10GRP-)(MCSET+)	125-A5	101--116-D4-D8	Enable adder sum to D-register
CB1TF	124-L2	F	TL4	R	(GEN0A+)(M09FF+)(M11FF-)(TL4FF+)(DIV0P-)(MCRST+)	124-A2	124-L1	Reset CB1TF
CLYTR-	129-J3	F	TL4	R	(SCZR0+)(TL4FF+)(MCRST+)	129-D2	101--116-G7	Clear Y-register
EPYTS+	129-L5	F	TL4	S	(P1SEX-)(E01NS+)(TL4FF+)(0PGJS-)(MCSET+)	129-D4	101--116-K11	Enable P-register to Y-register
MEMC1+	126-J11	F	TL4	L	(TL4FF+)(SPM0D-)(TLAFF-)	126-F11/ H11	150-C1	Enable set RCYF1+
RCYF1+	150-D1	F	TL4	S	(MCSET+)(MEMC1+)(RCYF1-)	150-C2	150-D1	Start memory cycle



NOTE: MISSING SIGNALS CAN BE FOUND IN SCB ANALYSIS

SCB
1 CYCLE
OP CODE: 140600

3484

Instruction: Set C to ONE (SCB)

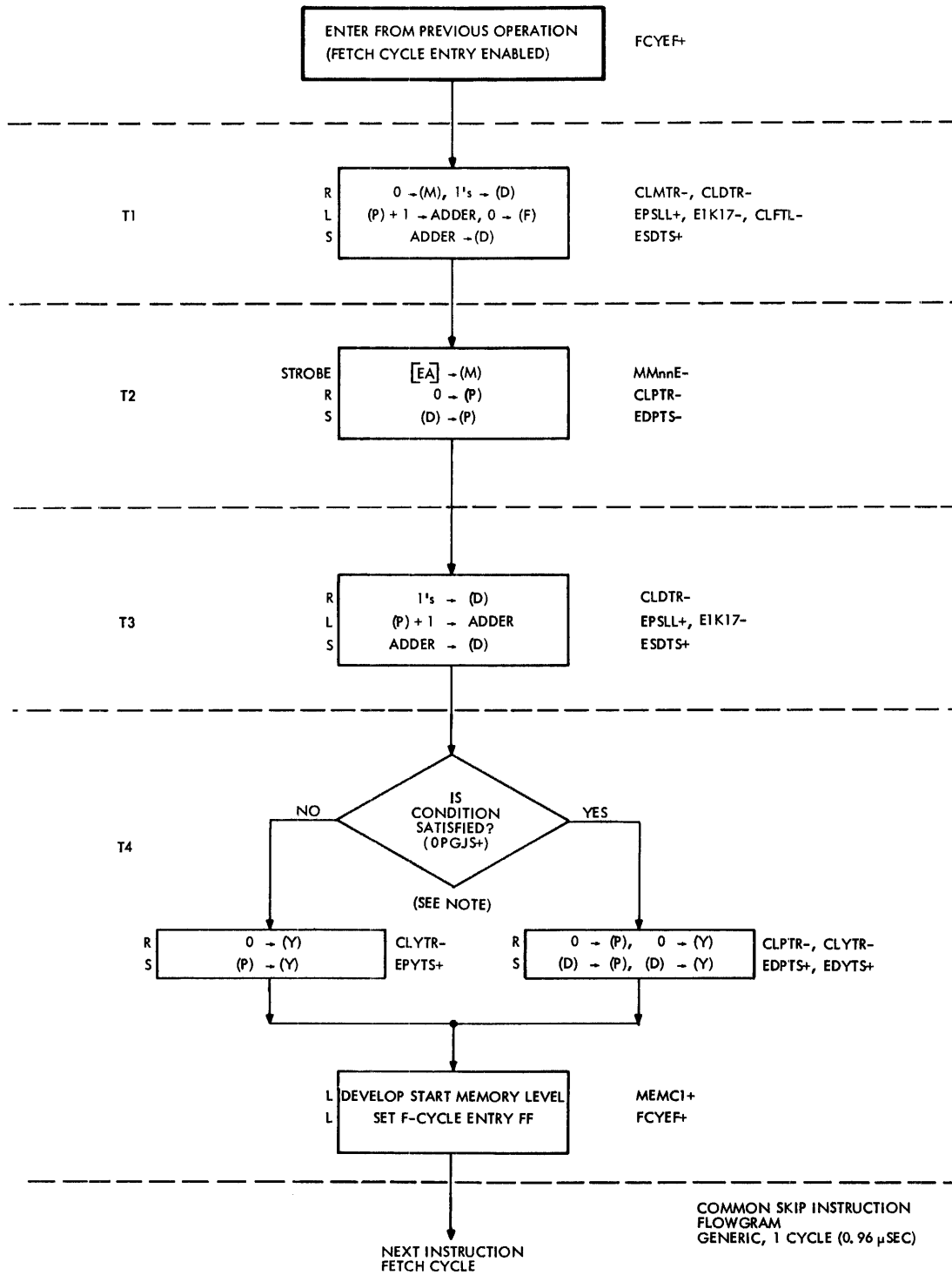
OP Code: 140600 Type: G, 1 cycle

Description: 1 → (C)

1	1	0	0	0	0	1	1	0	0	0	0	0	0	0	
1	2	3	4	5	6	7	8	9	10	11	12	13	14	15	16

Execution Time (μsec): 0.96

Signal	Origin	Cyc	Tim	Clk	Signal Component	Origin	Destination	Operation Description
EPSLL+	128-H4	F	TLATE	L	(FCYEF+)(TLATE-)	128-F3	101--116-A10	Enable P-register to adder
E1K17-	127-L4	F	TLATE	L	(TLATE-)	127-C3/ J6	116-D7-D9	Force carry to adder
CLMTR-	128-K8	F	TL1	R	(MCRST+)(HOLDM-)(TL1FF+)	128-K8	101--116-H9	Clear M-register
CLDTR-	125-J5	F	TL1	R	(1CYEF-)(ACYEF-)(TL1FF+)	125-A5	101--116-E7	Clear D-register to ONEs
CLFTL-	125-J7	F	TL1	L	(1CYEF-)(ACYEF-)(TL1FF+)	125-A5	120-B1 121-A5 125-L12	Clear F-register Clear shift counter Clear AZZZZ F-F
ESDTS+	125-L4	F	TL1	S	(1CYEF-)(ACYEF-)(TL1FF+)	125-A5	101--116-D4- D8	Enable adder sum to D-register
MMnnE-	153/160				(SWnnA-)(STRB1+)	153/160	101--116-H8	Memory data set into M-register
CLPTR-	129-J10	F	TL2	R	(FCYEF+)(TL2FF+)(SCZR0+)(MEMAC-)(MCRST+)	129-D7/ H9	101--116-H10	Clear P-register
EDPTS+	129-L9	F	TL2	S	(FCYEF+)(TL2FF+)(SCZR0+)(MEMAC-)(MCSET+)	129-H9	101--116-G11	Enable D-register to P-register
EASTL+	127-L1	F	TLATE	L	(GENOP+)(TLATE+)(M02FF+)(M09FF+)	127-G11	101--116-A5 117 B/D	Enable A-register to adder
JAMKN-	127-J3	F	TLATE	L	(GENOP+)(TLATE+)(M02FF+)(M09FF+)	127-G11	101--116-D6	Jam carry network
EMSHL+	127-L8	F	TLATE	L	(GENOP+)(TLATE+)(M02FF+)(M09FF+)	127-G11	101--107-A8	Enable M(1-7) to adder
ENSHL+	127-L7	F	TLATE	L	(GENOP+)(TLATE+)(M02FF+)(M09FF+)	127-G11	101--107-A9	Enable M-(1-7) to adder
EMSLL+	127-L10	F	TLATE	L	(GENOP+)(TLATE+)(M02FF+)(M09FF+)	127-G11	108--116-A8	Enable M(8-16) to adder
ENSLL+	127-L5	F	TLATE	L	(GENOP+)(TLATE+)(M02FF+)(M09FF+)	127-G11	108--116-A9	Enable M-(8-16) to adder
CLDTR-	125-J5	F	TL3	R	(TL3FF+)(ACYLF-)(MCRST+)	125-D5	101--116-E7	Clear D-register to ONEs
ESDTS+	125-L4	F	TL3	S	(TL3FF+)(10GRP-)(MCSET+)	125-A5	101--116-D4- D8	Enable adder sum to D-register
CB1TF	124-L2	F	TL4	S	(MCSET+)(GEN0A+)(TL4FF+)(M08FF+)(M09FF+)	124-D6	124-L2	Set CB1TF
CLYTR-	129-J3	F	TL4	R	(SCZR0+)(TL4FF+)(MCRST+)	129-D2	101--116-G7	Clear Y-register
EPYTS+	129-L5	F	TL4	S	(P1SEX-)(E01NS+)(TL4FF+)(0PGJS-)(MCSET+)	129-D4	101--116-K11	Enable P-register to Y-register
MEMC1+	126-J11	F	TL4	L	(TL4FF+)(SPM0D-)(TLAFF-)	126-F11/ H11	150-C1	Enable set RCYF1+
RCYF1+	150-D1	F	TL4	S	(MCSET+)(MEMC1+)(RCYF1-)	150-C2	150-D1	Start memory cycle



NOTE: REFER TO SKIP INSTRUCTION ANALYSES FOR SPECIFIC CONDITIONS

3488

Common Entry and Exit for Skip Instructions

Instruction:

OP Code:

Description:

Type:

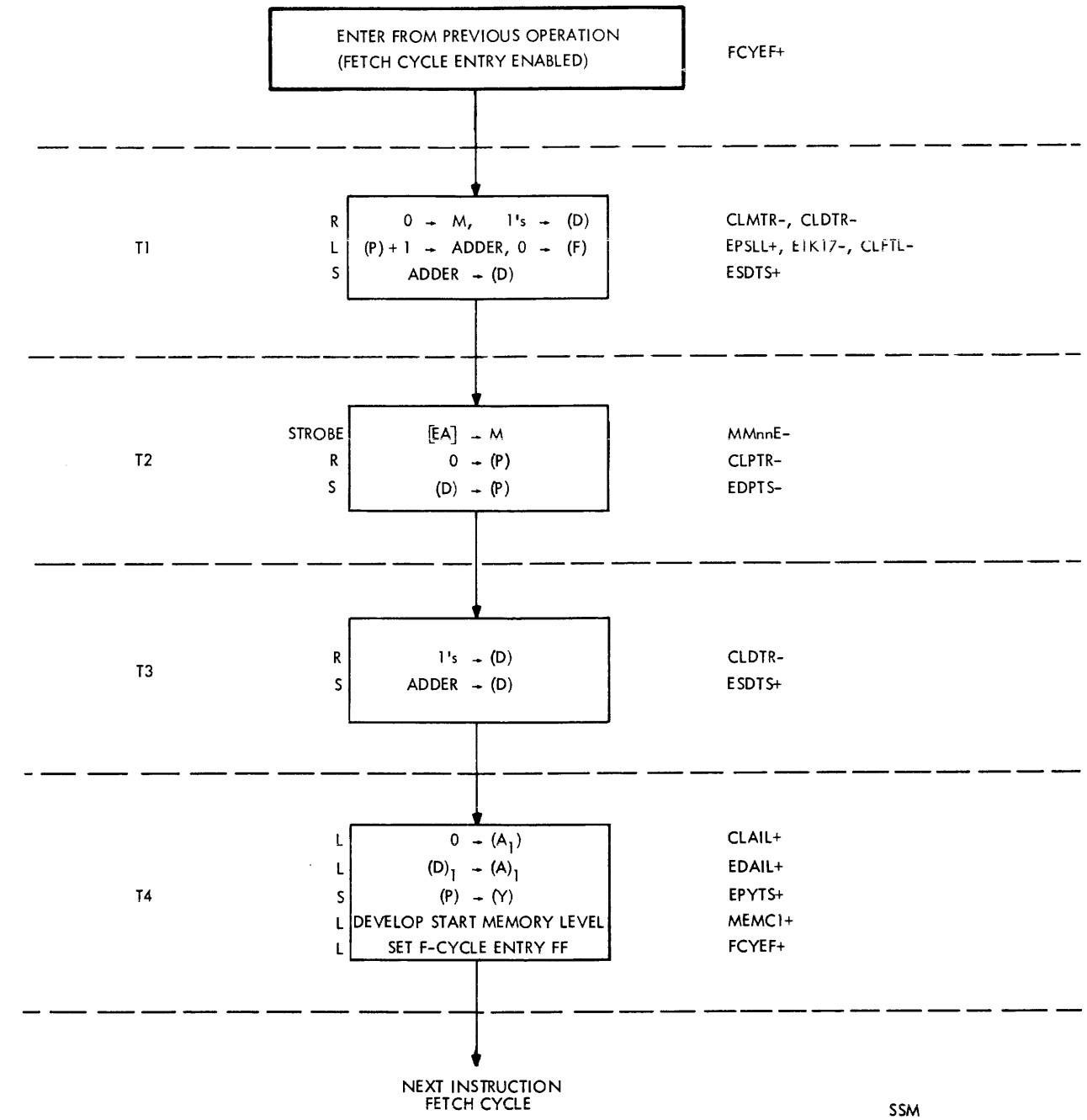
1	0	0	0	0	0	X	X	X	X	X	X	X	X	X	X
1	2	3	4	5	6	7	8	9	10	11	12	13	14	15	16

Execution Time (μsec):

Function	Origin	Cyc	Tim	Clk	Boolean Expression	Origin	Destination	Operation Description
EPSLL+	128-H4				(SKGRP-)V(TLATE-) (FCYEF+)	128-H3	101--116-A10	Enable P-register to adder
E1K17- CLFTL-	127-L4 125-J7	F	TL1	L	(SKGRP-)V(TLATE-) (1CYEF-)(ACYEF-)(TL1FF+)	127-L4 125-A5	116-D7-D9 120-B1 121-A5 125-L12	Force carry to adder Clear F-register Clear shift counter Clear AZZZZ FF
CLMTR- CLDTR-	128-K8 125-J5	F	TL1	R	(MCRST+)(HOLDM-)(TL1FF+) (1CYEF-)(ACYEF-)(TL1FF+)	128-K8 125-A5	101--116-H9	Clear M-register Clear D-register to ONEs
ESDTS+	125-L4	F	TL1	S	(1CYEF-)(ACYEF-)(TL1FF+)	125-A5	101--116-D4-D8	Enable adder sum to D-register
MMnnE-	153/160				(SWnnA-)(STRB1+)	153/160	101--116-H8	Memory data set into M-register
CLPTR-	129-J10	F	TL2	R	(FCYEF+)(TL2FF+)(SCZR0+) (MEMAC-)(MCRST+)	129-D7/ H9	101--116-H10	Clear P-register
EDPTS+	129-L9	F	TL2	S	(FCYEF+)(TL2FF+)(SCZR0+) (MEMAC-)(MCSET+)	129-H9	101--116-G11	Enable D-register to P-register
CLDTR-	125-J5	F	TL3	R	(TL3FF+)(ACYLF-)(MCRST+)	125-D5	101--116-E7	Clear D-register to ONEs
ESDTS+	125-L4	F	TL3	S	(10GRP-)(TL3FF+)(MCSET+)	125-D6	101--116-D4-D8	Enable adder sum to D-register
OPGJS+	129-J11				(See Table 2-1 for conditions)		129-D4-D9	Condition satisfied?
CLPTR-	129-J10	F	TL4	R	(OPGJS+)(E01NS+)(TL4FF+) (MCRST+)	129-D7/ H10	101--116-H10	Clear P-register
EDPTS+	129-L9	F	TL4	S	(OPGJS+)(E01NS+)(TL4FF+) (MCSET+)	129-D7/ H9	101--116-H11	Enable D-register into P-register
CLYTR-	129-J3	F	TL4	R	(ACYLF-)(TL4FF+)(MCRST+)	129-A1/ D3	101--116-L11	Clear Y-register
EDYTS+	129-L1	F	TL4	S	(ACYNX-)(MCSET+)(TL4FF+) (BREQ-)(OPGJS-)	129-H1	101--116-G10	Enable D-register into Y-register
EPYTS+	129-L4	F	TL4	S	(PISEX-)(E01NS+)(TL4FF+) (OPGJS-)(MCSET+)	129-D4	101--116-K11	Enable P-register to Y-register
MEMC1+	126-J11	F	TL4	L	(TL4FF+)(SPMOD-)(TLAFF-)	126-F11/ H11	150-C1	Enable set RCYF1+
RCYF1+	150-D1	F	TL4	S	(MCSET+)(MEMC1+)(RCYF1-)	150-C2	150-D1	Start memory cycle

Table 2-1.
Generating OPGJS+ For Specific Skip Instructions

Instruction	Op Code	Conditions for SKGRP+	Origin
Skip If C Set (SSC)	101001	(CB1TF+)(M16FF+)(MEMAC-) (SKGRP+)(M07FF+)	129-A9/F10
Skip If C Reset (SRC)	100001	[(CB1TF+)(M16FF+)]-(MEMAC-) (SKGRP+)(M07FF-)	129-A9/F11
Skip If A ₁₆ = 1 (SLN)	101100	(A16FF+)(M10FF+)(MEMAC-) (SKGRP+)(M07FF+)	129-A4/F10
Skip If A ₁₆ = 0 (SLZ)	100100	[(A16FF+)(M10FF+)]-(MEMAC-) (M07FF-)	129-A4/F11
Skip If A Minus (SMI)	101400	(A01FF+)(M08FF+)(MEMAC-) (SKGRP+)(M07FF+)	129-A11/F10
Skip If A Plus (SPL)	100400	[(A01FF+)(M08FF+)]-(MEMAC-) (M07FF-)	129-A11/F11
Skip If A Not Zero (SNZ)	101040	(AZERO-)(M11FF+)(MEMAC-) (SKGRP+)(M07FF+)	129-A10/F10
Skip If A Zero (SZE)	100040	[(AZERO-)(M11FF+)]-(MEMAC-) (M07FF-)	129-A10/F11
Skip If Sense Switch 1 is Set (SS1)	101020	(SENS1+)(M12FF+)(MEMAC-) (SKGRP+)(M07FF+)	129-A5/F10
Skip If Sense Switch 1 is Reset (SR1)	100020	[(SENS1+)(M12FF+)]-(MEMAC-) (M07FF-)	129-A5/F11
Skip If Sense Switch 2 is Set (SS2)	101010	(SENS2+)(M13FF+)(MEMAC-) (SKGRP+)(M07FF+)	129-A6/F10
Skip If Sense Switch 2 is Reset (SR2)	100010	[(SENS2+)(M13FF+)]-(MEMAC-) (M07FF-)	129-A6/F11
Skip If Sense Switch 3 is Set (SS3)	101004	(SENS3+)(M14FF+)(MEMAC-) (SKGRP+)(M07FF+)	129-A7/F10
Skip If Sense Switch 3 is Reset (SR3)	100004	[(SENS3+)(M14FF+)]-(MEMAC-) (M07FF-)	129-A7/F11
Skip If Sense Switch 4 is Set (SS4)	101002	(SENS4+)(M15FF+)(MEMAC-) (SKGRP+)(M07FF+)	129-A8/F10
Skip If Sense Switch 4 is Reset (SR4)	100002	[(SENS4+)(M15FF+)]-(MEMAC-) (M07FF-)	129-A8/F11
Skip If Any Sense Switch Set (SSS)	101036	(SENS1+)(M12FF+)V(SENS2+) (M13FF+)V(SENS3+)(M14FF+) V(SENS4+)(M15FF+)^(MEMAC-) (SKGRP+)(M07FF+)	129-A6/A7/A8/ F10
Skip If Any Sense Switch Reset (SSR)	100036	[(SENS1+)(M12FF+) V(SENS2+) (M13FF+)V(SENS3+)-(M14FF+) V(SENS4+)(M15FF+)]^(MEMAC-) (SKGRP+)(M07FF-)	129-A6/A7/A8/ F11
Unconditional Skip	100000	(M08FF-) through (M16FF-)^(MEMAC-) (SKGRP+)(M07FF-)	129-A3 through A11/F11



SSM
1 CYCLE
OP CODE 140500

3500

Instruction: Set Sign Minus (SSM)

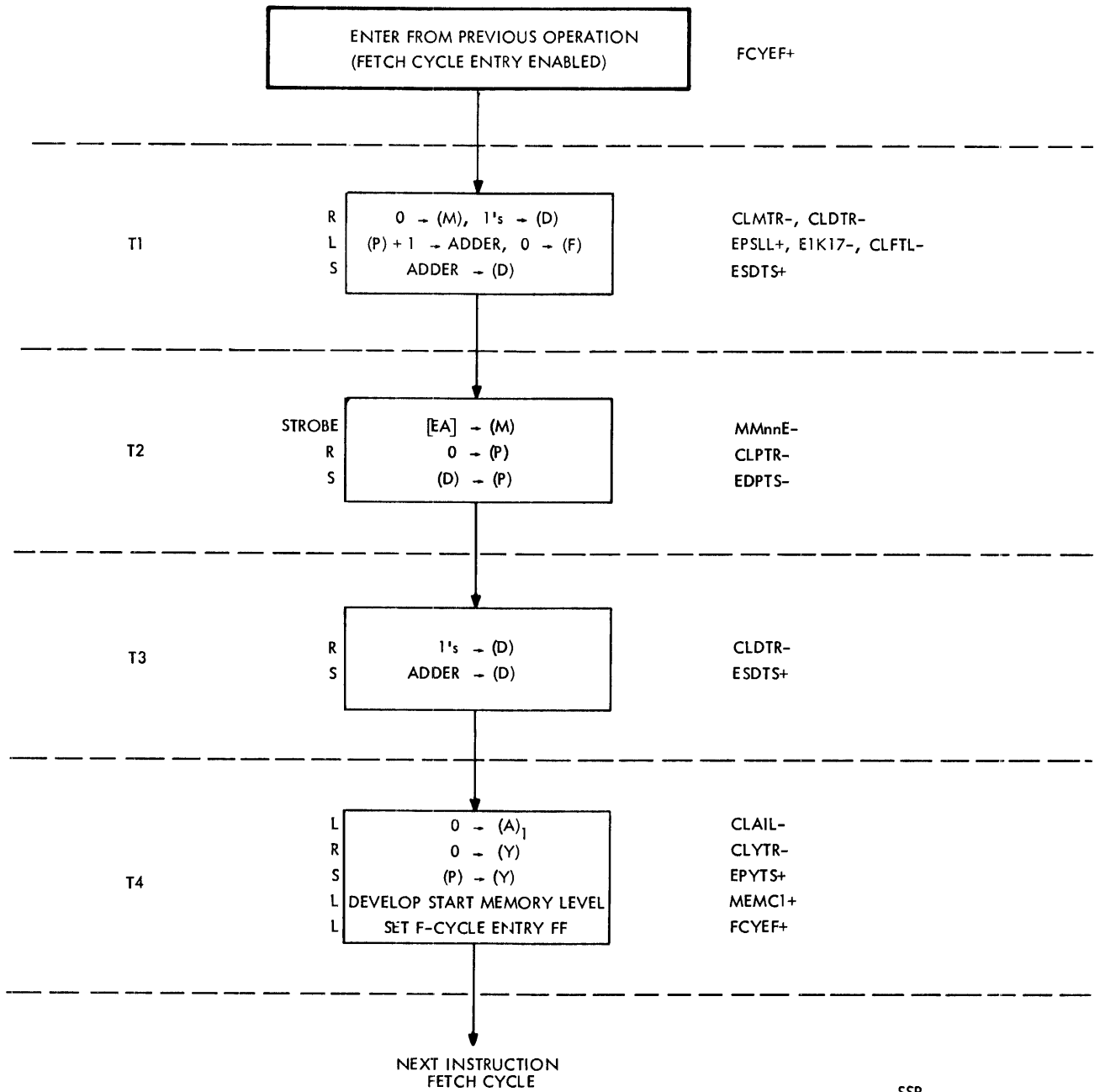
OP Code: 140500 Type: G, 1 cycle

Description: 1 → (A)₁

1	1	0	0	0	0	0	1	0	1	0	0	0	0	0	0
1	2	3	4	5	6	7	8	9	10	11	12	13	14	15	16

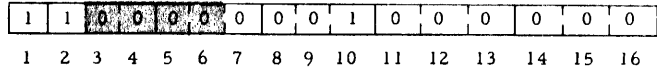
Execution Time (μsec): 0.96

Signal	Origin	Cyc	Tim	Clk	Signal Component	Origin	Destination	Operation Description
EPSLL+	128-H4	F	TLATE	L	(FCYEF+)(TLATE-)	128-F3	101--116-A10	Enable P-register to adder
E1K17-	127-L4	F	TLATE	L	(TLATE-)	127-C3/ J6	116-D7-D9	Force carry to adder
CLMTR-	128-K8	F	TL1	R	(MCRST+)(HOLDM-)(TL1FF+)	128-K8	101--116-H9	Clear M-register
CLDTR-	125-J5	F	TL1	R	(1CYEF-)(ACYEF-)(TL1FF+)	125-A5	101--116-E7	Clear D-register to ONEs
CLFTL-	125-J7	F	TL1	L	(1CYEF-)(ACYEF-)(TL1FF+)	125-A5	120-B1 121-A5 125-L12	Clear F-register Clear shift counter Clear AZZZ F-F
ESDTS+	125-L4	F	TL1	S	(1CYEF-)(ACYEF-)(TL1FF+)	125-A5	101--116-D4-D8	Enable adder sum to D-register
MMnnE-	153/160				(SWnnA-)(STRB1+)	153/160	101--116-H8	Memory data set into M-register
CLPTR-	129-J10	F	TL2	R	(FCYEF+)(TL2FF+)(SCZR0+)(MEMAC-)(MCRST+)	129-D7/ H9	101--116-H10	Clear P-register
EDPTS+	129-L9	F	TL2	S	(FCYEF+)(TL2FF+)(SCZR0+)(MEMAC-)(MCSET+)	129-H9	101--116-G11	Enable D-register to P-register
CLDTR-	125-J5	F	TL3	R	(TL3FF+)(ACYLF-)(MCRST+)	125-D5	101--116-E7	Clear D-register to ONEs
ESDTS+	125-L4	F	TL3	S	(TL3FF+)(10GRP-)(MCSET+)	125-A5	101--116-D4-D8	Enable adder sum to D-register
CLA1L+	130-H11	F	TL4	L	(GEN0A+)(TL4FF+)(M10FF+)	130-F11	101-H3	Clear A-register bit 1
EDA1L+	130-H11	F	TL4	L	(GEN0A+)(TL4FF+)(M08FF+)(M10FF+)	130-F10	101-H6	Enable D-register bit 1 to A-register bit 1
CLYTR-	129-J3	F	TL4	R	(SCZR0+)(TL4FF+)(MCRST+)	129-D2	101--116-G7	Clear Y-register
EPYTS+	129-L5	F	TL4	S	(P1SEX-)(E01NS+)(TL4FF+)(0PGJS-)(MCSET+)	129-D4	101--116-K11	Enable P-register to Y-register
MEMC1+	126-J11	F	TL4	L	(TL4FF+)(SPM0D-)(TLAFF-)	126-F11 H11	150-C1	Enable set RCYF1+
RCYF1+	150-D1	F	TL4	S	(MCSET+)(MEMC1+)(RCYF1-)	150-C2	150-D1	Start memory cycle



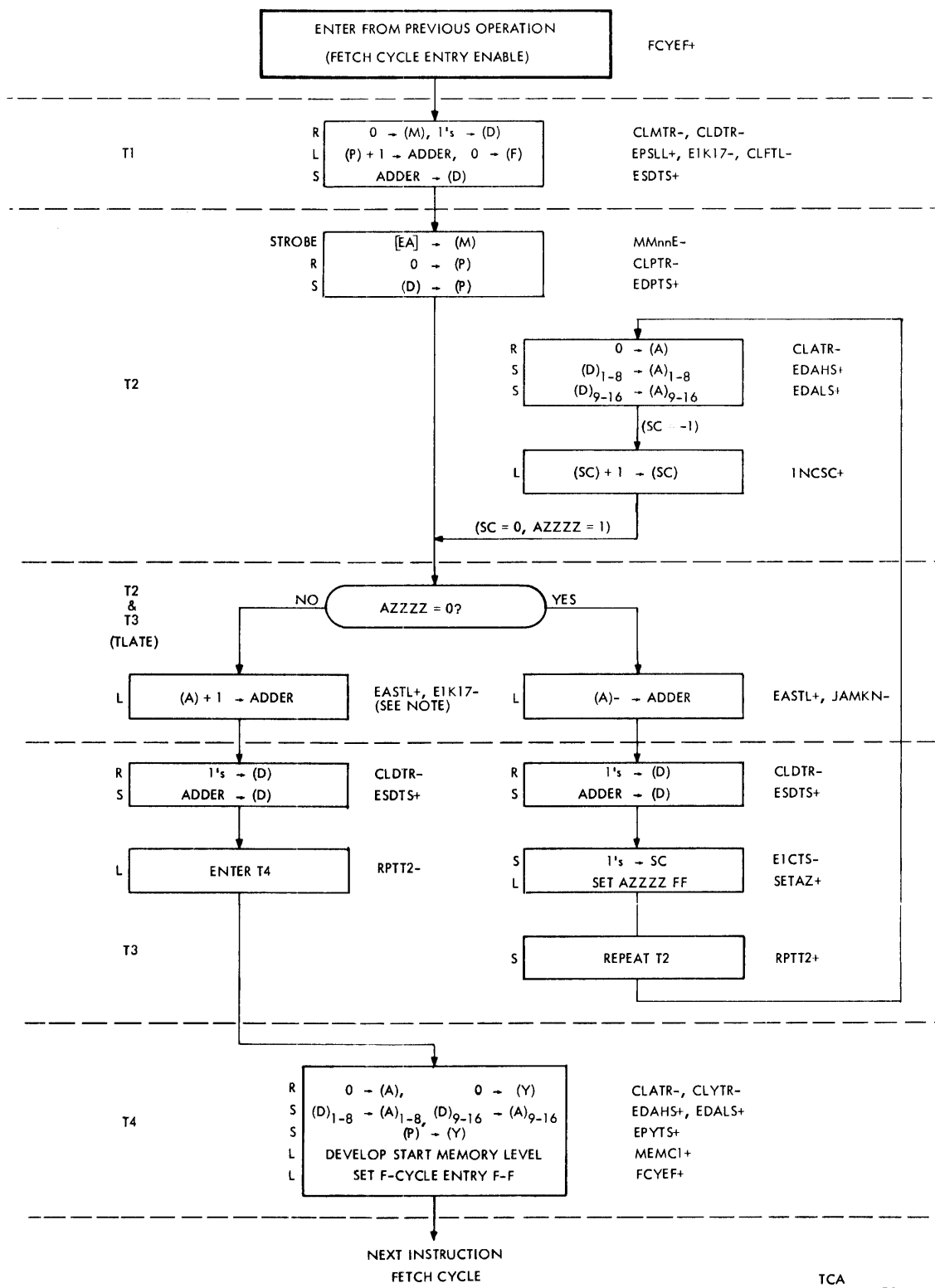
SSP
1 CYCLE
OP CODE 140100

Instruction: Set Sign Plus (SSP)
 OP Code: 140100 Type: G, 1 cycle
 Description: 0 → (A)₁



Execution Time (μsec): 0.96

Signal	Origin	Cyc	Tim	Clk	Signal Component	Origin	Destination	Operation Description
EPSLL+	128-H4	F	TLATE	L	(FCYEF+)(TLATE-)	128-F3	101--116-A10	Enable P-register to adder
EIK17-	127-L4	F	TLATE	L	(TLATE-)	127-C3/ J6	116-D7-D9	Force carry to adder
CLMTR-	129-K8	F	TL1	R	(MCRST+)(HOLDM-)(TL1FF+)	128-K8	101--116-H9	Clear M-register
CLDTR-	125-J5	F	TL1	R	(1CYEF-)(ACYEF-)(TL1FF+)	125-A5	101--116-E7	Clear D-register to ONEs
CLFTL	125-J7	F	TL1	L	(1CYEF-)(ACYEF-)(TL1FF+)	125-A5	120-B1 121-A5 125-L12	Clear F-register Clear shift counter Clear AZZZZ F-F
ESDTS+	125-L4	F	TL1	S	(1CYEF-)(ACYEF-)(TL1FF+)	125-A5	101--116-D4-D8	Enable adder sum to D-register
MMnnE-	153/160				(SWnnA-)(STRB1+)	153/160	101--116-H8	Memory data set into M-register
CLPTR-	129-J10	F	TL2	R	(FCYEF+)(TL2FF+)(SCZR0+)(MEMAC-)(MCRST+)	129-D7/ H9	101--116-H10	Clear P-register
EDPTS+	129-L9	F	TL2	S	(FCYEF+)(TL2FF+)(SCZR0+)(MEMAC-)(MCSET+)	129-H9	101--116-G11	Enable D-register to P-register
CLAIL+	130-H11	F	TL4	L	(GEN0A+)(TL4FF+)(M10FF+)	130-F11	101-H3	Clear A-register bit 1
CLYTR-	129-J3	F	TL4	R	(SCZR0+)(TL4FF+)(MCRST+)	129-D2	101--116-G7	Clear Y-register
EPYTS+	129-L5	F	TL4	S	(P1SEX-)(E01NS+)(TL4FF+)(0PGJS-)(MCSET+)	129-D4	101--116-K11	Enable P-register to Y-register
MEMC1+	126-J11	F	TL4	L	(TL4FF+)(SPMOD-)(TLAFF-)	126-F11/ H11	150-C1	Enable set RCYF1+
RCYF1+	150-D1	F	TL4	S	(MCSET+)(MEMC1+)(RCYF1-)	150-C2	150-D1	Start memory cycle



TCA
1.5 CYCLES
OP CODE 140407

NOTE: MISSING SIGNALS CAN BE
FOUND IN TCA ANALYSIS

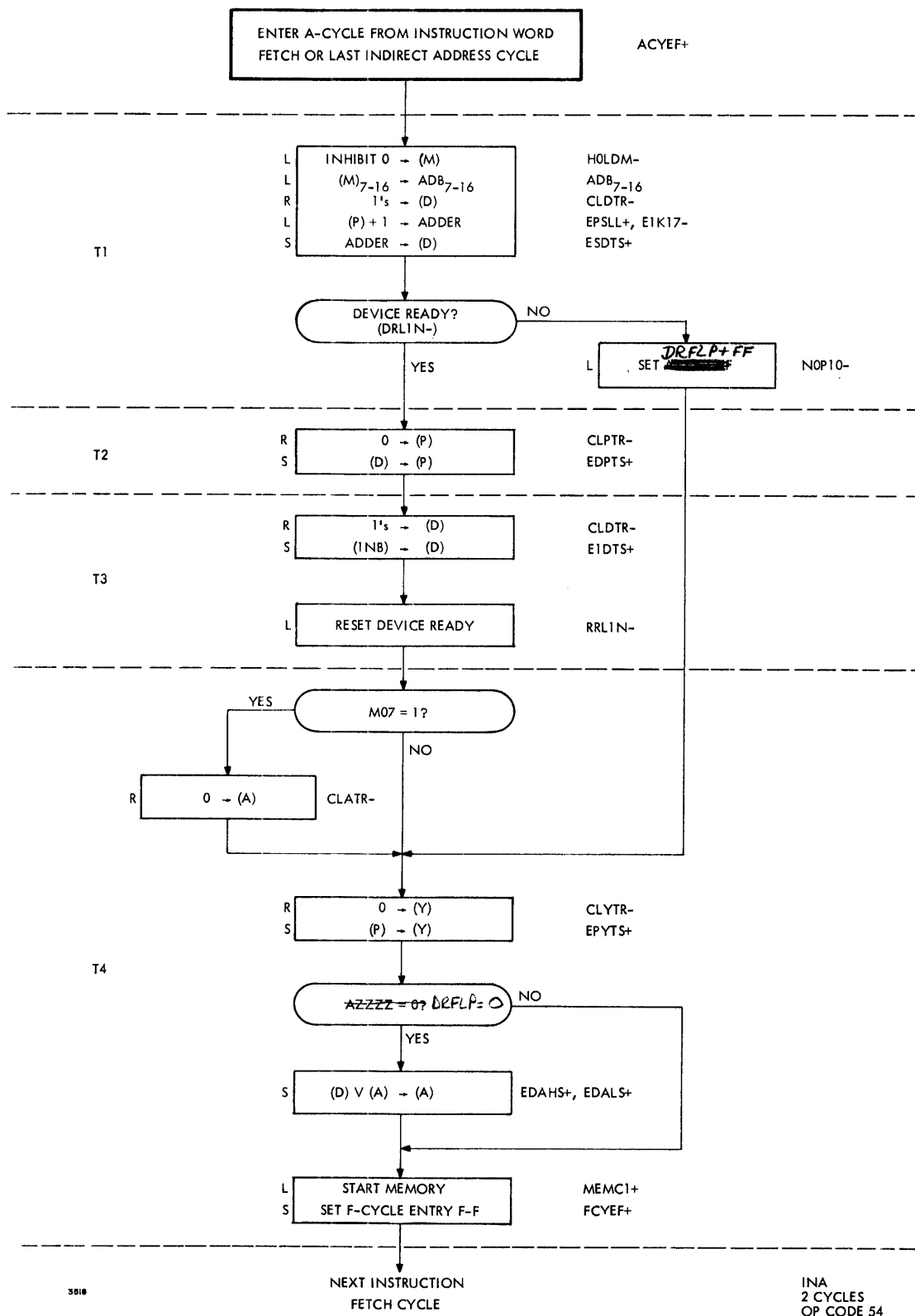
8808

Instruction: Two's Complement of A (TCA)
 OP Code: 140407 Type: G, 1.5 cycles
 Description: Two's Complement of (A) - (A)

1	1	0	0	0	0	0	1	0	0	0	0	0	1	1	1
1	2	3	4	5	6	7	8	9	10	11	12	13	14	15	16

Execution Time (μsec): 1.44

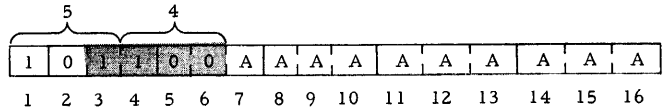
Signal	Origin	Cyc	Tim	Clk	Signal Component	Origin	Destination	Operation Description
EPSLL+	128-H4	F	TLATE	L	(FCYEF+)(TLATE-)	128-F3	101--116-A10	Enable P-register to adder
E1K17-	127-L4	F	TLATE	L	(TLATE-)	127-C3/ J6	116-D7-D9	Force carry to adder
CLMTR-	128-K8	F	TL1	R	(MCRST+)(HOLDM-)(TL1FF+)	128-K8	101--116-H9	Clear M-register
CLDTR-	125-J5	F	TL1	R	(1CYEF-)(ACYEF-)(TL1FF+)	125-A5	101--116-E7	Clear D-register to ONEs
CLFTL-	125-J7	F	TL1	L	(1CYEF-)(ACYEF-)(TL1FF+)	125-A5	120-B1 121-A5 125-L12	Clear F-register Clear shift counter Clear AZZZZ F-F
ESDTS+	125-L4	F	TL1	S	(1CYEF-)(ACYEF-)(TL1FF+)	125-A5	101--116-D4-D8	Enable adder sum to D-register
MMnnE-	153/160				(SWnnA-)(STRB1+)	153/160	101--116-H8	Memory data set into M-register
CLPTR-	129-J10	F	TL2	R	(FCYEF+)(TL2FF+)(SCZR0+)(MEMAC-)(MCRST+)	129-D7/ H9	101--116-H10	Clear P-register
EDPTS+	129-L9	F	TL2	S	(FCYEF+)(TL2FF+)(SCZR0+)(MEMAC-)(MCSET+)	129-H9	101--116-G11	Enable D-register to P-register
EASTL+	127-L1	F	TLATE	L	(AZZZZ-)(TLATE+)(GEN0P+)(M16FF+)(M02FF+)(M01FF+)	127-C2	101--116-A5	Enable A-register to adder
JAMKN-	127-J3	F	TLATE	L	(AZZZZ-)(TLATE+)(GEN0P+)(M16FF+)(M02FF+)(M01FF+)	127-C2	101--116-D6 117 B/D	Jam carry network
CLDTR-	125-J5	F	TL3	R	(TL3FF+)(ACYLF-)(MCRST+)	125-D5	101--116-E7	Clear D-register to ONEs
ESDTS+	125-L4	F	TL3	S	(TL3FF+)(10GRP-)(MCSET+)	125-A5	101--116-D4-D8	Enable adder sum to D-register
SETAZ+	125-L10	F	TL3	L	(GEN0A+)(TL3FF+)(M08FF+)(M15FF+)	125-A8	125-L10	Set AZZZZ F-F
E1CTS-	125-H8	F	TL3	S	(GEN0A+)(TL3FF+)(M08FF+)(M15FF+)(AZZZZ-)(MCSET+)	125-A8/ H8	121-A7 126-F4	Set shift counter to all ONEs generate RPTT2
RPTT2+	126-G4	F	TL3	S	E1CTS-	126-G4	126-G4	Repeat T2
CLATR-	122-H7	F	TL2	R	(GEN0A+)(TL2FF+)(AZZZZ+)(MCRST+)	122-A5/ H7	101--116-H5	Clear A-register
EDAHS+	122-L1	F	TL2	S	(GEN0A+)(TL2FF+)(AZZZZ+)(MCSET+)	122-A5/ H1	101--108-G7 109--116-G7	Enable D(1-8) into A(1-8) Enable D(9-16) into A(9-16)
EDALS+	122-L2	F	TL2	S	(GEN0A+)(TL2FF+)(AZZZZ+)(MCSET+)	122-A5/ H1	101--108-G7 109--116-G7	Enable D(1-8) into A(1-8) Enable D(9-16) into A(9-16)
INCSC+	126-L3	F	TL2	L	(FCYEF+)(TL2FF+)	126-H3	121-A5	Increment shift counter
EASTL+	127-L1	F	TLATE	L	(GEN0P+)(TLATE+)(M02FF+)(AZZZZ+)	127-G11	101--116-A5	Enable A-register to adder
EMSHL+	127-L8	F	TLATE	L	(GEN0P+)(TLATE+)(M02FF+)(AZZZZ+)	127-G11	101--107-A8	Enable M(1-7) to adder
ENSHL+	127-L7	F	TLATE	L	(GEN0P+)(TLATE+)(M02FF+)(AZZZZ+)	127-G11	101--107-A9	Enable M-(1-7) to adder
EMSLL+	127-L10	F	TLATE	L	(GEN0P+)(TLATE+)(M02FF+)(AZZZZ+)	127-G11	108--116-A8	Enable M(8-16) to adder
ENSLL+	127-L5	F	TLATE	L	(GEN0P+)(TLATE+)(M02FF+)(AZZZZ+)	127-G11	108--116-A9	Enable M-(8-16) to adder
E1K17-	127-L4	F	TLATE	L	(JAMKN-)	127-J3	116-D7	Force carry to adder
CLATR-	122-H7	F	TL4	R	(GEN0A+)(M16FF+)(TL4FF+)	122-A3	101--116-H5	Clear A-register
EDAHS+	122-L1	F	TL4	S	(GEN0A+)(M16FF+)(TL4FF+)	122-A3	101--108-G7	Enable D(1-8) into A(1-8)
EDALS+	122-L2	F	TL4	S	(GEN0A+)(M16FF+)(TL4FF+)	122-A3	109--116-G7	Enable D(9-16) into A(9-16)
CLYTR-	129-J3	F	TL4	R	(SCZR0+)(TL4FF+)(MCRST+)	129-D2	101--116-G7	Clear Y-register
EPYTS+	129-L5	F	TL4	S	(P1SEX-)(E0INS+)(TL4FF+)(0PGJS-)(MCSET+)	129-D4	101--116-K11	Enable P-register to Y-register
MEMC1+	126-J11	F	TL4	L	(TL4FF+)(SPMOD-)(TLAFF-)	126-F11/ H11	150-C1	Enable set RCYF1+
RCYF1+	150-D1	F	TL4	S	(MCSET+)(MEMC1+)(RCYF1-)	150-C2	150-D1	Start memory cycle



Instruction: Input to A (INA)

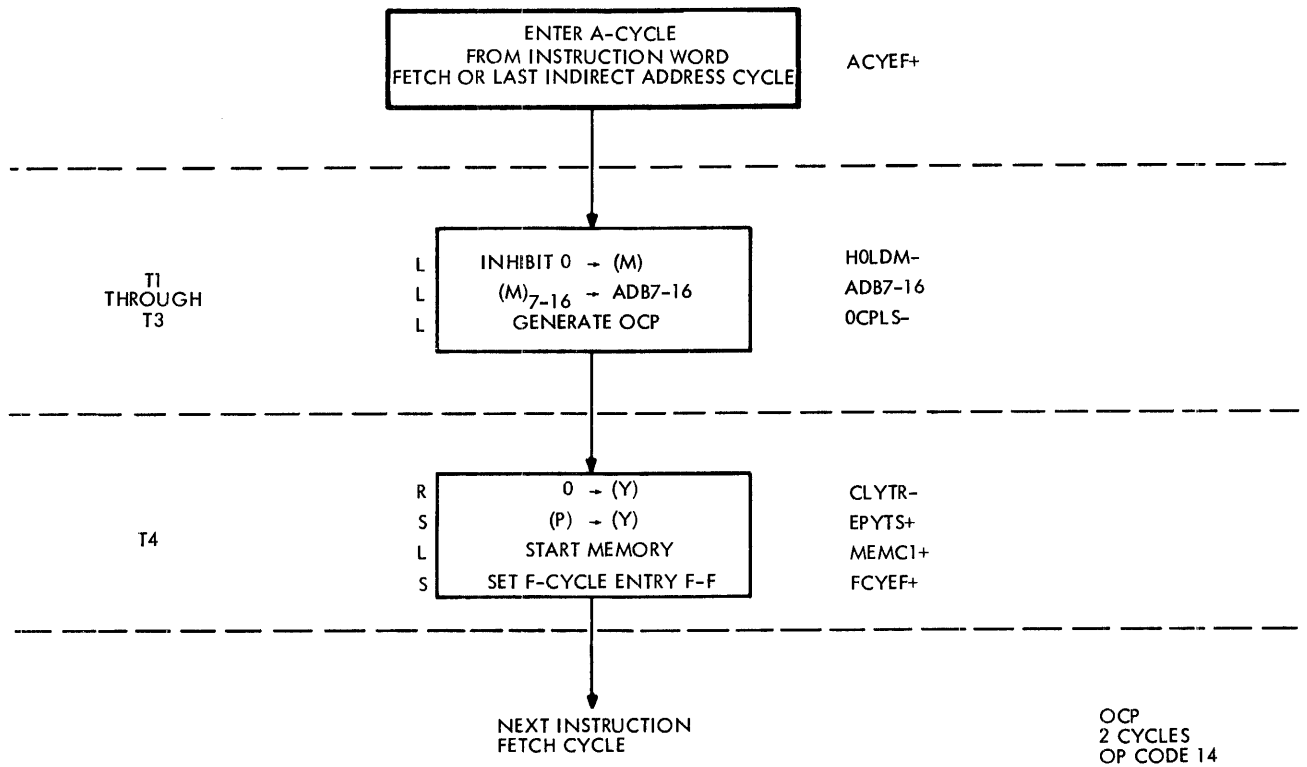
OP Code: 54 Type: 10, 2 cycles

Description: (INB) → (A), (1W)₇ = 1
 (INB) ∨ (A) → (A), (1W)₇ = 0



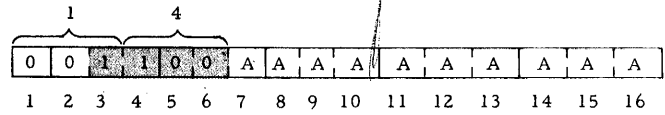
Execution Time (μsec): 1.92

Signal	Origin	Cyc	Tim	Clk	Signal Component	Origin	Destination	Operation Description
MEMC1-	126-J11	F	TL4	L	(10GRP+)(FCYLF+)	126-D11	126-F11	Block start memory
HOLDM-	128-H8	A			(10GRP+)(ACYEF+)	128-H8	128-K8	Inhibit M-register clear
ADB7-16	138-11	A			(DMCCY-)(M_FF+)	138-A11	143-XX	(See main frame wire list)
CLDTR-	125-J5	A	TL1	R	(ACYEF+)(TL1FF+)(JST0P-) (1RS0P-)(1MA0P-)(MCRST+)	125-D4	101--116-E7	Clear D-register to ONES
EPSLL+	128-H4	A	TL1	L	(10GRP+)	128-D5	101--116-A10	Enable P-register to adder
E1K17-	127-L4	A	TL1	L	(TLATE-)	127-J6 127-J5	116-D7-D9 117-B1	Force carry to adder
ESDTS+	125-L4	A	TL1	S	(ACYEF+)(TL1FF+)(JST0P-) (1RS0P-)(1MA0P-)(MCSET+)	125-D4	101--116-D4-D8	Enable adder sum to D-register
DRLIN-	143-B3	A			Function of IO option		125-D10	Device ready line
N0P10-	125-D10	A	TL1	L	(ACYEF+)(TL1FF+)(10GRP+) (DRLIN-)	125-D10	125-L9	Set ^{DRFLP} AZZZ F-F
CLPTR-	129-J10	A	TL2	R	(TL2FF+)(10GRP+)(^{DRFLP} AZZZ -) (0CPLS-)(MCRST+)	129-F8	101--116-H10	Clear P-register
EDPTS+	129-L9	A	TL2	S	(TL2FF+)(10GRP+)(^{DRFLP} AZZZ -) (0CPLS-)(MCSET+)	129-F8	101--116-H11	Enable D-register to P-register
CLDTR-	125-J5	A	TL3	R	(ANA0P-)(TL3FF+)(MCRST+)	125-A5	101--116-E7	Clear D-register to ONES
E1DTS+	125-L6	A	TL3	S	(MCSET+)(RRLIN-)	125-H6	101--116-D4	Enable INB ₁₋₁₆ to D-register
RRLIN-	134-K8	A	TL24	L	(M01FF+)(TL24F+)(AZZZZ-)	134-G8	143-D5	Reset ready to device
CLATR-	122-H4	A	TL4	R	(ACYLF+)(TL4FF+)(10GRP+) (AZZZZ-)(M02FF-)(M07FF+) (M01FF+)(MCRST+)	122-D7	101--116-H5	Clear A-register if 1W ₇ = 1
EDAHS+	122-L1	A	TL4	S	(ACYLF+)(TL4FF+)(10GRP+) (AZZZZ -)(M01FF+)(M02FF-) (MCSET+)	122-D1	101--108-G7	Enable D-register to A(1-8)
EDALS+	122-L2	A	TL4	S	(^{DRFLP} AZZZZ -)(M01FF+)(M02FF-) (MCSET+)(ACYLF+)(TL4FF+) (10GRP+)	122-D1	109--116-G7	Enable D-register to A(9-16)
CLYTR-	129-J3	A	TL4	R	(ACYNX-)(TL4FF+)(MCRST+)	129-B1/ D2	101--116-G7	Clear Y-register
EPYTS+	129-L5	A	TL4	S	(P1SEX-)(E01NS+)(TL4FF+) (0PGJS-)(MCSET+)(DMCRQ-)	129-D4/ H4	101--116-K11	Enable P-register to Y-register
MEMC1+	126-J11	A	TL4	L	(TL4FF+)(SPM0D-)(TLAFF-)	126-F11/ H11	150-C1	Enable set RCYF1+
RCYF1+	150-D1	A	TL4	S	(MCSET+)(MEMC1+)(RCYF1-)	150-C2	150-D1	Start memory cycle



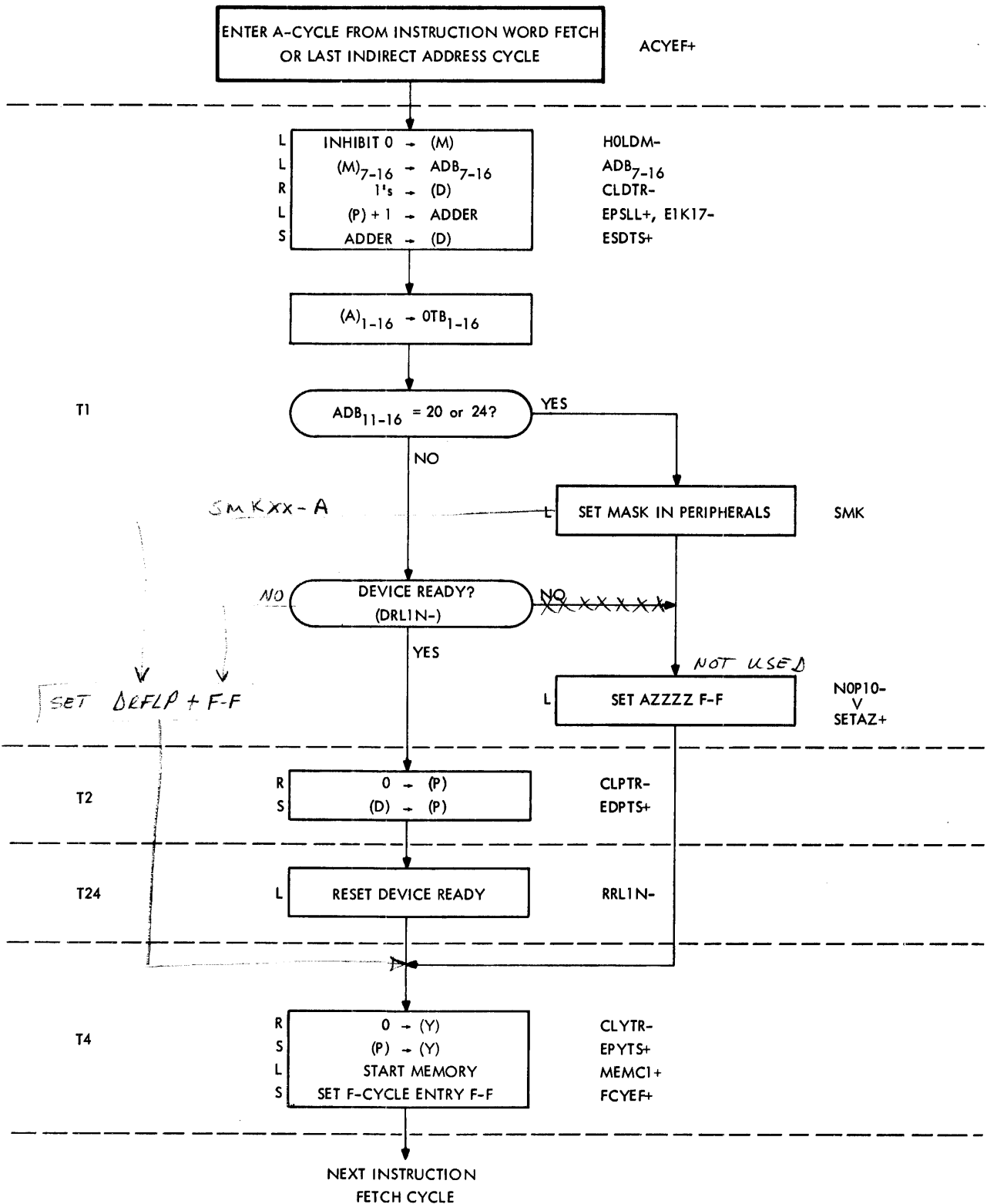
3498

Instruction: Output Control Pulse (OCP)
OP Code: 14 **Type:** 10, 2 cycles
Description: Set or reset function of specified device



Execution Time (μsec): 1.92

Signal	Origin	Cyc	Tim	Clk	Signal Component	Origin	Destination	Operation Description
MEMC1-	126-J11	F	TL4	L	(10GRP+)(FCYLF+)	126-D11	126-F11	Block start memory
HOLDM-	128-H8				(10GRP+)(ACYEF+)	128-H8	128-K8	Inhibit M-register clear
ADB7-16	138-11				(DMCCY-)(M__FF+)	138-11		See main frame wire list)
OCPLS-	134-K10				(RESTR-)(ACYEF-)(10GRP+)(M01FF-)(M02FF-)	134-C7	143-B4	Control pulse to device
CLYTR-	129-J3	A	TL4	R	(ACYNX-)(TL4FF+)(MCRST+)	129-B1/D1	101--116-G7	Clear Y-register
EPYTS+	129-L5	A	TL4	S	(P1SEX-)(E01NS+)(TL4FF+)(0PGJS-)(MCSET+)(DMCRQ-)	129-D4/H4	101--116-K11	Enable P-register to Y-register
MEMC1+	126-J11	A	TL4	L	(TL4FF+)(SPM0D-)(TLAFF-)	126-F11/H11	150-C1	Enable set RCYF1+
RCYF1+	150-D1	A	TL4	S	(MCSET+)(MEMC1+)(RCYF1-)	150-C2	150-D1	Start memory cycle



3816

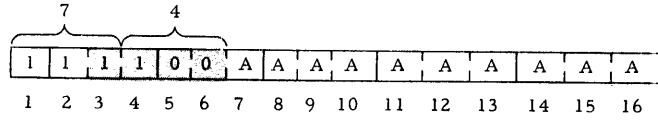
OTA/SMK
2 CYCLES
OP CODE 74

OTA with 00/24 in 6A1

Instruction: Output from A (OTA)

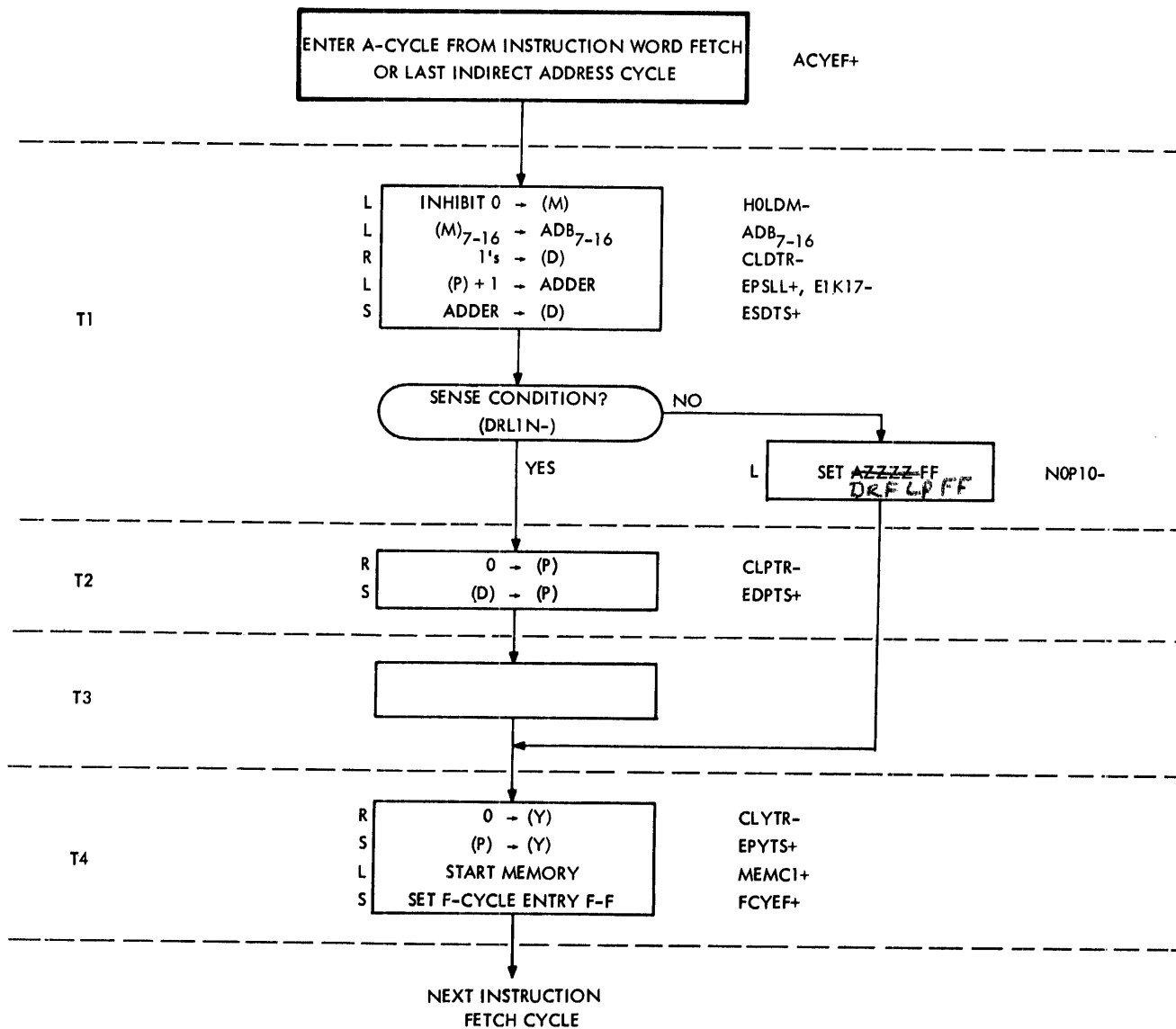
OP Code: 74 Type: 10, 2 cycles

Description: If ready: (A) → (OTB) and skip
 If not ready: No output and no skip



Execution Time (μsec): 1.92

Signal	Origin	Cyc	Tim	Clk	Signal Component	Origin	Destination	Operation Description
MEMC1-	126-J11	F	TL4	L	(10GRP+)(FCYLF+)	126-D11	126-F11	Block start memory
HOLDM-	128-H8	A			(10GRP+)(ACYEF+)	128-H8	128-K8	Inhibit M-register clear
EPSLL+	128-H4				(10GRP+)	128-D5	101--116-A10	Enable P-register to adder
E1K17-	127-L4	A	TL1	L	(TLATE-)	127-J6	116-D7-D9 117-B1	Force carry to adder
ADB7-16	138-11	A			(DMCCY-)(M__FF+)	138-11	(See main frame wire list)	
CLDTR-	125-J5	A	TL1	R	(ACYEF+)(TL1FF+)(JSTOP-) (IRSOP-)(1MA0P-)(MCRST+)	125-D4	101--116-E7	Clear D-register to ONEs
ESDTS+	125-L4	A	TL1	S	(ACYEF+)(TL1FF+)(JSTOP-) (IRSOP-)(1MA0P-)(MCSET+)	125-D4	101--116-D4- D8	Enable adder sum to D-register
OTB01-16	138-E/L	A			(A01FF+) through (A16FF+)	138-C/J	(See main frame wire list)	
SMK01+	134-L11	A			(SMKXX+)(ADB07-)(FCX00+)	134-K11	143-B5	ADB 7-16 = 0020 ₈ (Set mask)
DRLIN-	143-B3	A			Function of I/O option		125-D10	Device ready line
N0P10-	125-D10	A	TL1	L	(ACYEF+)(TL1FF+)(10GRP+) (DRLIN-) or (SMKXX-)	125-D10	125-L9	Set AZZZZ FF
SETAZ+	125-J10	A			(SMKXX-)	125-H9	125-L9	Set AZZZZ FF
CLPTR-	129-J10	A	TL2	R	(TL2FF+)(10GRP+)(AZZZZ-) (0CPLS-)(MCRST+)	129-F8	101--116-H10	Clear P-register
EDPTS‡	129-L9	A	TL2	S	(TL2FF+)(10GRP+)(AZZZZ-) (0CPLS-)(MCSET+)	129-F8	101--116-H11	Enable D-register to P-register
RRLIN-	134-K8	A	TL24	L	(M01FF+)(TL24F+)(AZZZZ-)	134-G8	143-D5	Reset ready to device
CLYTR-	129-J3	A	TL4	R	(ACYNX-)(TL4FF+)(MCRST+)	129-B1/ D1	101--116-G7	Clear Y-register
EPYTS+	129-L5	A	TL4	S	(P1SEX-)(E01NS+)(TL4FF+) (0PGJS-)(MCSET+)(DMCRQ-)	129-D4/ H4	101--116-K11	Enable P-register to Y-register
MEMC1+	126-J11	A	TL4	L	(TL4FF+)(SPM0D-)(TLAFF-)	126-F11/ H11	150-C1	Enable set RCYF1+
RCYF1+	150-D1	A	TL4	S	(MCSET+)(MEMC1+)(RCYF1-)	150-C2	150-D1	Start memory cycle



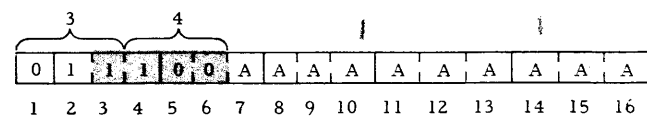
8817

SKS
2 CYCLES
OP CODE 34

Instruction: Skip if Ready Line Set (SKS)

OP Code: 34 Type: 10, 2 cycles

Description: If f(device) is satisfied, device is ready and next instruction is skipped



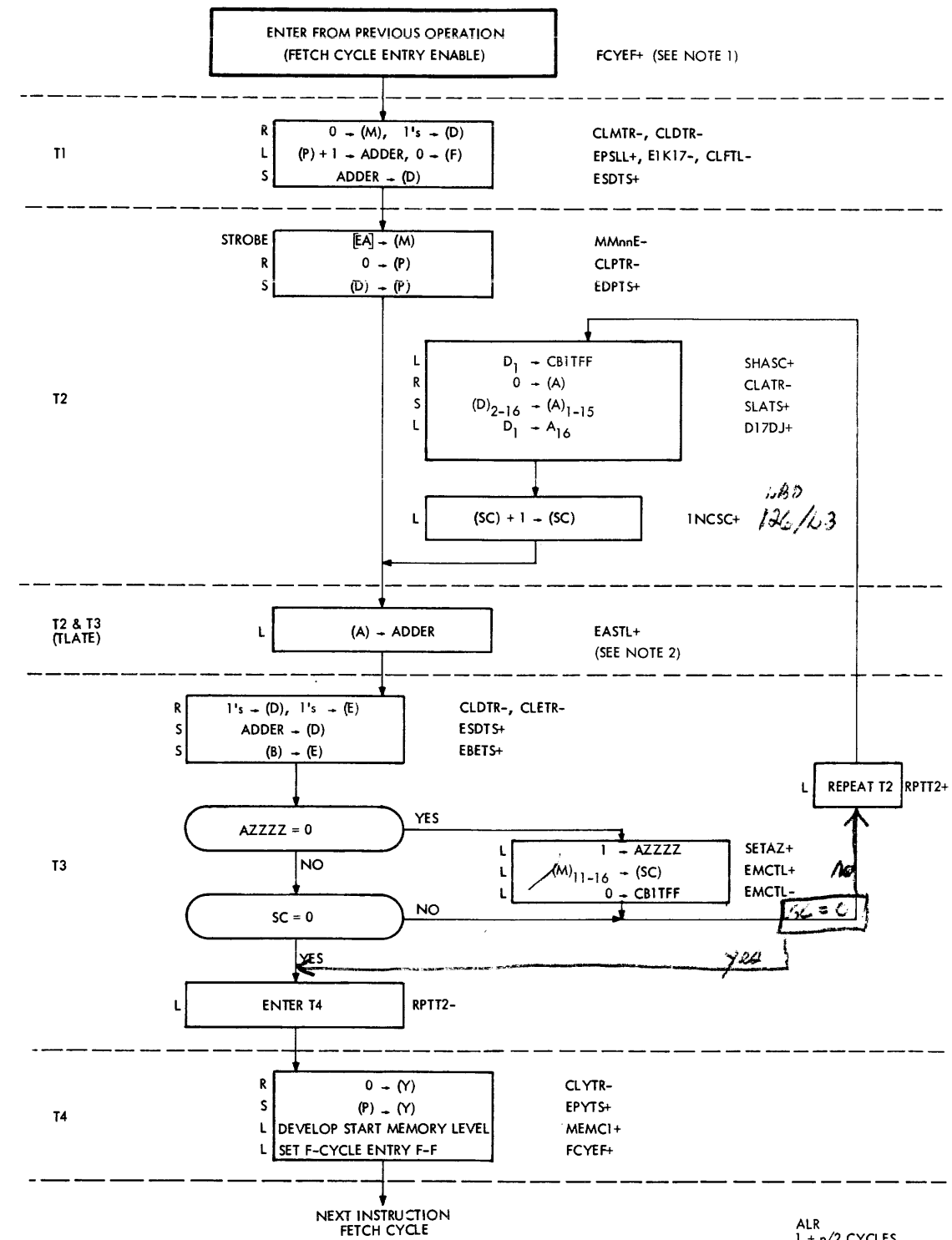
Execution Time (μsec): 1.92

Signal	Origin	Cyc	Tim	Clk	Signal Component	Origin	Destination	Operation Description
HOLDM-	128-H8	A			(10GRP+)(ACYEF+)	128-H8	128-K8	Inhibit M-register clear
ADB7-16	138-11	A			(DMCCY-)(M_FF+)	138-11	(See main frame wire list)	
CLDTR-	125-J5	A	TL1	R	(ACYEF+)(TL1FF+)(JSTOP-) (1RS0P-)(1MA0P-)(MCRST+)	125-D4	101--116-E7	Clear D-register to ONEs
EPSLL+	128-H4	A	TL1	L	(10GRP+)	128-D5	101--116-A10	Enable P-register to adder
E1K17-	127-L4	A	TL1	L	(ACYLF+) (CAS0P-)(LSX0P-)(SUB0P-)	127-J5	117-B1	Force carry to adder
ESDTS+	125-L4	A	TL1	S	(ACYEF+)(TL1FF+)(JSTOP-) (1RS0P-)(1MA0P-)(MCSET+)	125-D4	101--116-D4-D8	Enable adder sum to D-register
DRLIN-	143-B3	A			Function of I/O option		125-D10	Device ready line
N0P10-	125-D10	A	TL1	L	(ACYEF+)(TL1FF+)(10GRP+) (DRLIN-)	125-D10	125-L9	Set FFFF FF 00FF+FF
CLPTR-	129-J10	A	TL2	R	(TL2FF+)(10GRP+)(AZZZZ-) (0CPLS-)(MCRST+)	129-F8	101--116-H10	Clear P-register
EDPTS+	129-L9	A	TL2	S	(TL1FF+)(10GRP+)(AZZZZ-) (0CPLS-)(MCSET+)	129-F8	101--116-H11	Enable D-register to P-register
CLYTR-	129-J3	A	TL4	R	(ACYNX-)(TL4FF+)(MCRST+)	129-B1/D1	101--116-G7	Clear Y-register
EPYTS+	129-L5	A	TL4	S	(P1SEX-)(E0INS+)(TL4FF+) (0PGJS-)(MCSET+)(DMCRQ-)	129-D4/H4	101--116-K11	Enable P-register to Y-register
MEMC1+	126-J11	A	TL4	L	(TL4FF+)(SPM0D-)(TL4FF-)	126-F11/H11	150-C1	Enable set RCYF1+
RCYF1+	150-D1	A	TL4	S	(MCSET+)(MEMC1+)(RCYF1-)	150-C2	150-D1	Start memory cycle

Common shift instruction entry

Function	Origin	Cyc	Tim	Clk	Boolean Expression	Origin	Destination	Operation Description
EPSLL+	128-H4	F	TLATE	L	(FCYEF+)(TLATE-)	128-F3	101--116-A10	Enable P-register to adder
E1K17-	127-L4	F	TLATE	L	(TLATE-)	127-J5	116-D7/D9	Force carry to adder
CLFTL-	125-J7	F	TL1	L	(1CYEF-)(ACYEF-)(TL1FF+)	125-A5	121-A5 120-B1 125-L10	Clear shift counter Clear F-register Clear AZZZZ FF
CLMTR-	128-K8	F	TL1	R	(MCRST+)(HOLDM-)(TL1FF+)	128-K8	101--116-H9	Clear M-register
CLDTR-	125-J5	F	TL1	R	(1CYEF-)(ACYEF-)(TL1FF+)	125-A5	101--116-E7	Clear D-register to ONEs
ESDTS+	125-L4	F	TL1	S	(1CYEF-)(ACYEF-)(TL1FF+)	125-A5	101--116-D4-D8	Enable adder sum to D-register
MMnnE-	153/160				(SWnnA+)(STRB1+)	153/160	101--116-H8	Memory data set into M-register
CLPTR-	129-J10	F	TL2	R	(EDPTL+)(MCRST+)*	129-H9	101--116-H10	Clear P-register
EDPTS+	129-L9	F	TL2	S	(EDPTL+)(MCSET+)	129-H9	101--116-G11	Enable D-register to P-register
EASTL+	127-L1	F	TLATE	L	(GEN0P+)(TLATE+)(M01FF-)	127-G11	101--116-A5	Enable A-register to adder
EMSHL+	127-L8	F	TLATE	L	(GEN0P+)(TLATE+)(M01FF-)	127-G11	101--108-A8	Enable M(1-7) to adder
ENSHL+	127-L7	F	TLATE	L	(GEN0P+)(TLATE+)(M01FF-)	127-G11	101--107-A9	Enable M-(1-7) to adder
EMSLL+	127-L10	F	TLATE	L	(GEN0P+)(TLATE+)(M01FF-)	127-G11	108--116-A8	Enable M(8-16) to adder
ENSLL+	127-L5	F	TLATE	L	(GEN0P+)(TLATE+)(M01FF-)	127-G11	108--116-A9	Enable M-(8-16) to adder
SETAZ+	125-J9	F	TL3	L	(SHA0P+)(TL3FF+)(AZZZZ-)	125-F11	125-L10	Set AZZZZ FF
EMCTL+	125-L11	F	TL3	L	(SHA0P+)(TL3FF+)(AZZZZ-)	125-F11	121-A11	Enable M-register to shift counter
EMCTL-	125-J11	F	TL3	L	(SHA0P+)(TL3FF+)(AZZZZ-)	125-F11	124-F1	Clear CB1TF
SCZR0-	121-L3				(SC16F-) through (SC11F-)	121-X7	126-D4	Shift counter equals ZERO
RPTT2+	126-F5	F	TL3	L	NOR of EMC16 through EMC11-	126-F10	118-A3	Repeat TL2 timing level
CLDTR-	125-J5	F	TL3	R	(TL3FF+)(ACYLF-)(MCRST+)	125-D6	101--116-E7	Clear D-register to ONEs
CLETR-	125-J2	F	TL3	R	(TL3FF+)(GEN0P+)(M01FF-)(M02FF+)(MCRST+)	125-D1	101--116-L3	Clear E-register
ESDTS+	125-L4	F	TL3	S	(TL3FF+)(10GRP-)(MCSET+)	125-D6	101--116-D4-D8	Enable adder sum to D-register
EBETS+	125-L1	F	TL3	S	(TL3FF+)(GEN0P+)(M01FF-)(M02FF+)(MCSET+)	125-D1	101--116-J2	Enable B-register to E-register

*See gate A1A44-F at 129-D8 for EDPTL+



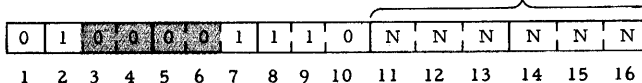
NOTES: 1. THIS INSTRUCTION IDENTICAL TO LGL EXCEPT FOR STATE OF D17DJ
2. MISSING SIGNALS CAN BE FOUND IN ALR ENTRY ANALYSIS

Instruction: Logical Left Rotate (ALR)

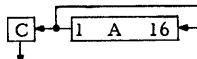
OP Code: 0416N

Type: SH, 1 + n/2 cycles

n = no. of shifts

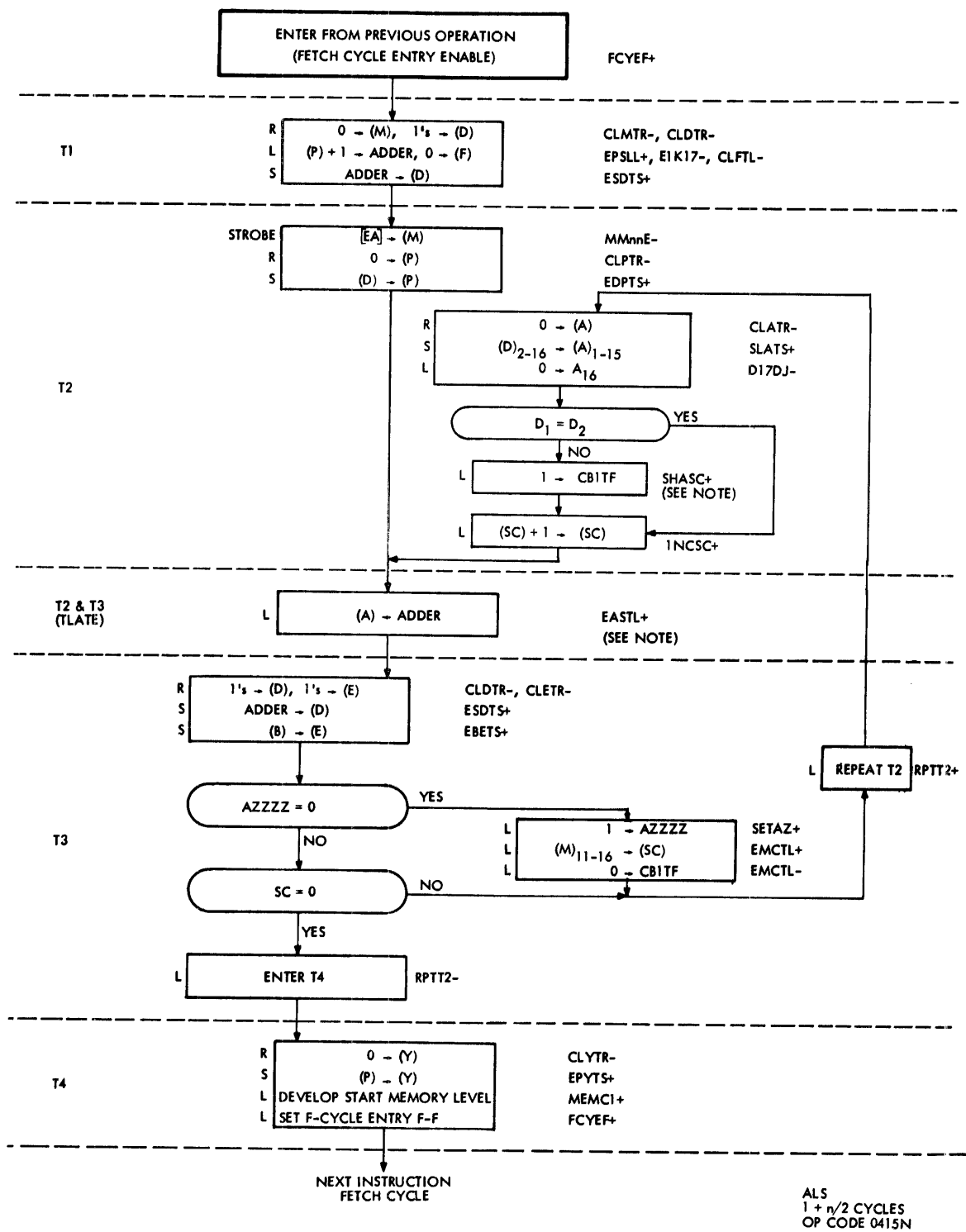


Description:



Execution Time (μsec): 0.96 + 0.48n

Signal	Origin	Cyc	Tim	Clk	Signal Component	Origin	Destination	Operation Description
Common Entry (See Common Entry for Shift Instructions, Page 2-90)								
SHASC+	120-K8	F	TL2	L	(SHA0P+)(SCZR0-)	120-H8	122-D10 124-D1/D3	Shift A-register and shift counter not equal to ZERO
CB1TF	124-L1	F	TL2	S	(SHASC+)(TL2FF+)(M07FF+)(M10FF-)(D01FF+)(MCSET+)	122-D3	124-L2	Set D1 into CB1TF
CLATR-	122-H7	F	TL2	R	(SHASC+)(TL2FF+)(M07FF+)(MCRST+)	122-D10	101--116-H5	Clear A-register
D17DJ+	130-F3	F	TL2	L	(SHA0P+)(M09FF+)(M08FF+)(D01FF+)	130-D2	116-G5	Left shift end effect
SLATS+	122-L10	F	TL2	S	(SHASC+)(TL2FF+)(M07FF+)(MCSET+)	124-D3	101--116-G5	Shift left A-register
Common Exit (See Common Exit for Shift Instructions, Page 2-113)								



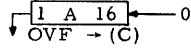
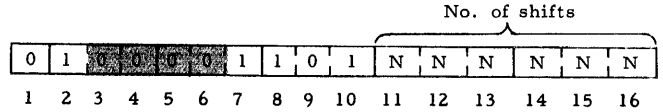
NOTE: MISSING SIGNALS CAN BE FOUND IN ALS ENTRY ANALYSIS

3490

Instruction: Arithmetic Left Shift (ALS)

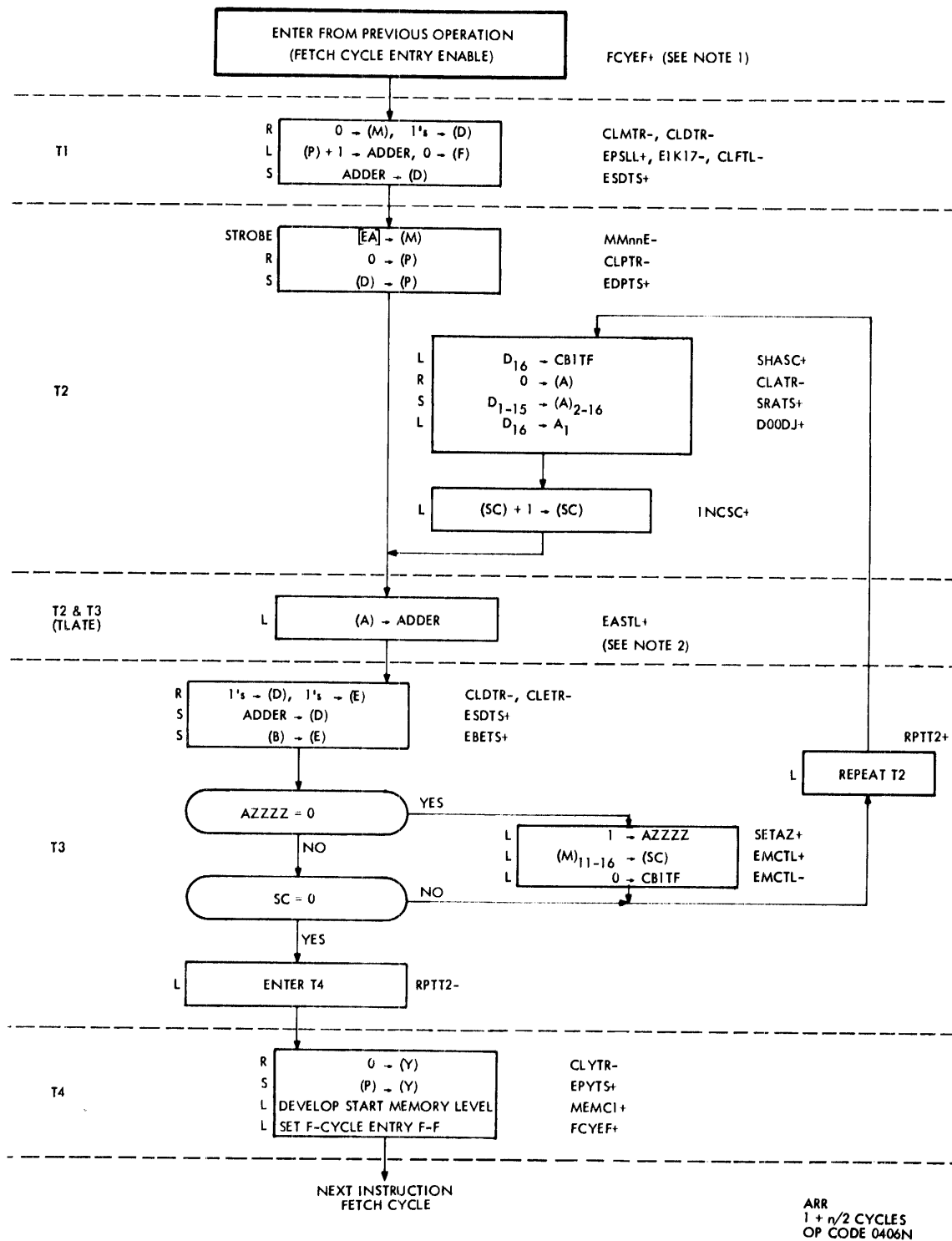
OP Code: 0415N **Type:** SH, 1 + n/2 cycles

Description: n = no. of shifts



Execution Time (μsec): 0.96 + 0.48n

Signal	Origin	Cyc	Tim	Clk	Signal Component	Origin	Destination	Operation Description
Common Entry (See Common Entry for Shift Instructions, Page 2-90)								
SHASC+	120-K8	F	TL2	L	(SHA0P+)(SCZR0-)	120-H8	122-D10 124-D7	Shift A-register and shift counter not equal to ZERO
CLATR-	122-H7	F	TL2	R	(SHASC+)(TL2FF+)(M07FF+)(MCRST+)	122-C10	101--116-H5	Clear A-register
D17DJ-	130-F4	F	TL2	L	(M08FF+)	130-D4	116-G5	Clear A-register bit 16
D → A SLATS+	122-L10	F	TL2	S	(SHASC+)(TL2FF+)(M07FF+)(MCSET+)	122-D10	101--116-G5	Shift left A-register
D1 ≠ D2 D1 ≠ D2	124-D7	F	TL2	L	See inputs to gate A1E37-F	124-D7	124-F2	Set CB1TF with SHASC+
Common Exit (See Common Exit for Shift Instructions, Page 2-113)								



NOTES: 1. THIS INSTRUCTION IDENTICAL TO LGR EXCEPT FOR STATE OF D00DJ

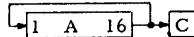
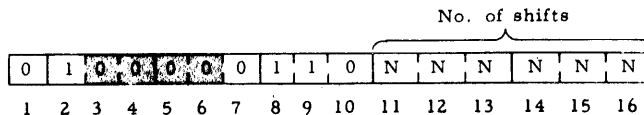
2. MISSING SIGNALS CAN BE FOUND IN ARR ENTRY ANALYSIS

3478

Instruction: Logical Right Rotate (ARR)

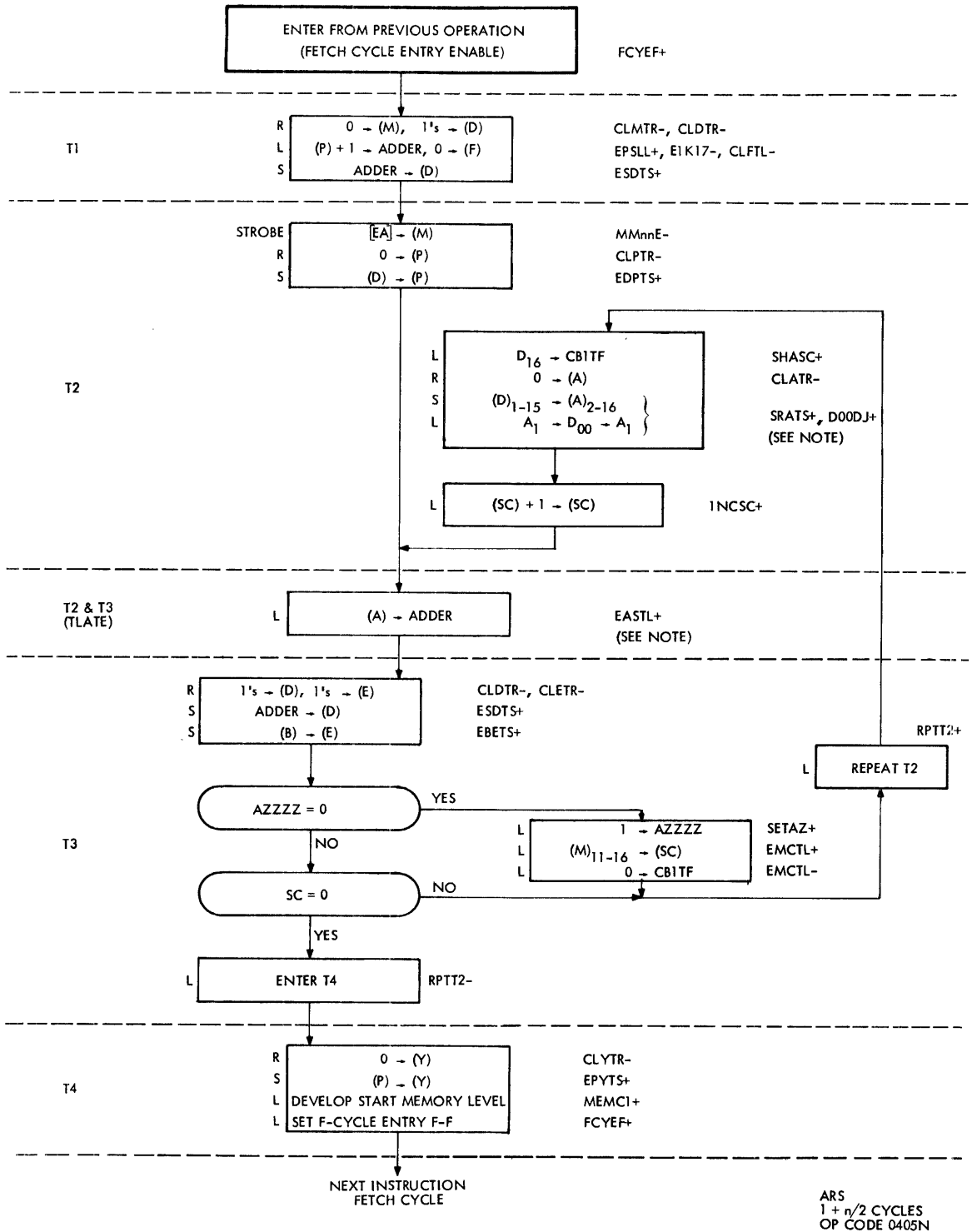
OP Code: 0406N **Type:** SH, 1+ n/2 cycles

Description: n = no. of shifts



Execution Time (μsec): 0.96 + 0.48n

Signal	Origin	Cyc	Tim	Clk	Signal Component	Origin	Destination	Operation Description
Common Entry (See Common Entry for Shift Instructions, Page 2-90)								
SHASC+	120-K8	F	TL2	L	(SHA0P+)(SCZR0-)	120-H8	122-D11 124-D1/D4	Shift A-register and shift counter not equal to ZERO
CB1TF	124-L1	F	TL2	S	(SHASC+)(M07FF-)(M08FF+)(TL2FF+)(D16FF+)(MCSET+)	124-D4	124-L2	Set D16 into CB1TF
CLATR-	122-H7	F	TL2	R	(SHASC+)(TL2FF+)(M07FF-)(MCRST+)	122-D11	101--116-H5	Clear A-register
D00DJ+	130-D1	F	TL2	L	(SHA0P+)(M07FF+)(M09FF+)(D16FF+)	130-B2	101-G6	Right shift end effect
SRATS+	122-L11	F	TL2	S	(SHASC+)(TL2FF+)(M07FF-)(MCSET+)	122-D11	101--116-G6	Shift right A-register
MFGZE-	122-F11	F	TL2	L	(SHASC+)(TL2FF+)(M07FF-)	122-D11	124-F1	Clear CB1TF
Common Exit (See Common Exit for Shift Instructions, Page 2-113)								



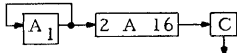
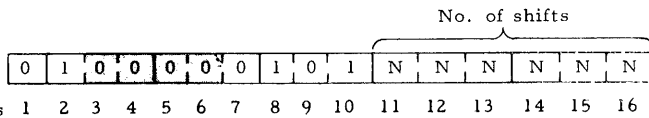
NOTE: MISSING SIGNALS CAN BE FOUND IN ARS ENTRY ANALYSIS

3492

Instruction: Arithmetic Right Shift (ARS)

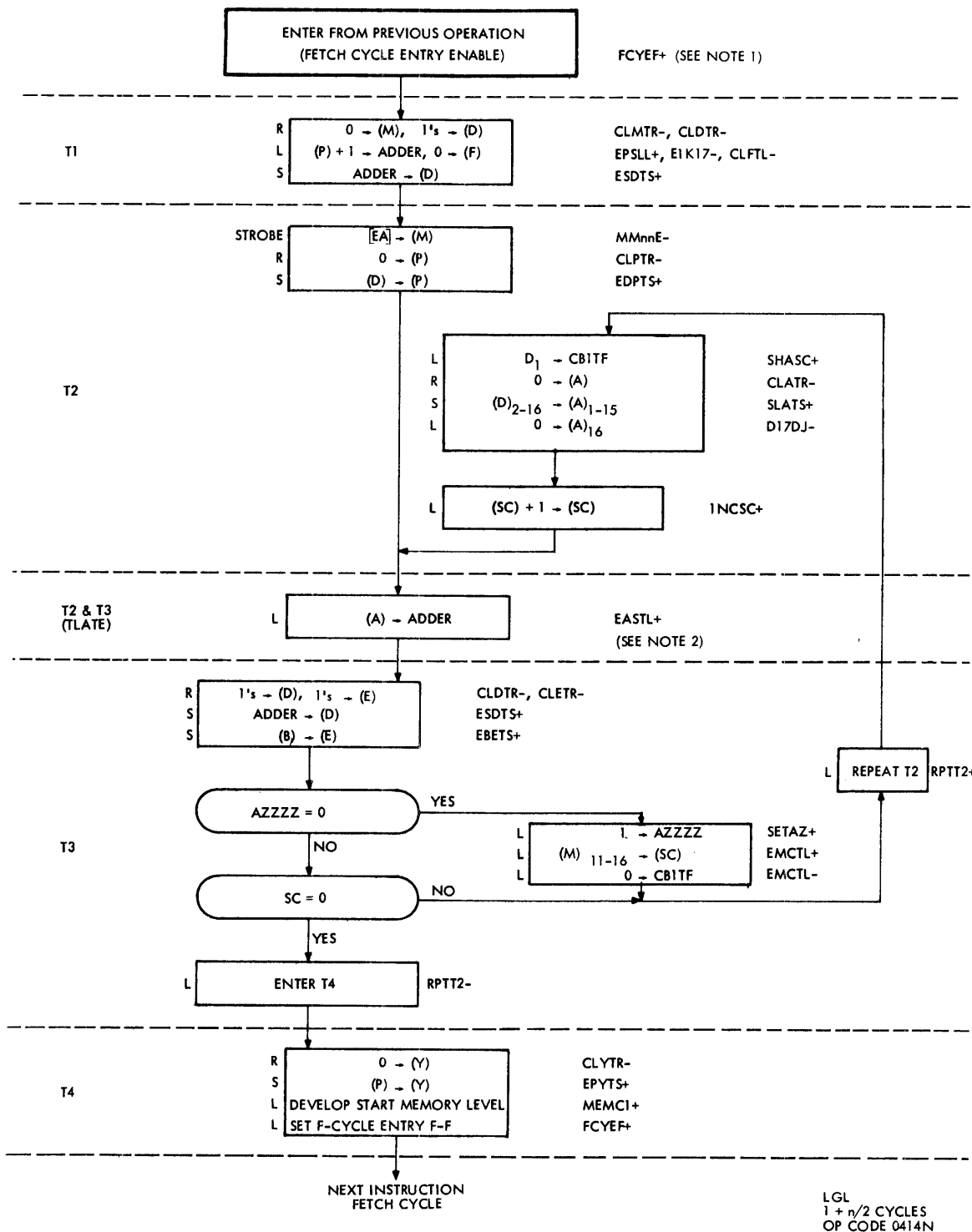
OP Code: 0405N Type: SH, 1 + n/2 cycles

Description: n = no. of shifts



Execution Time (μsec): 0.96 + 0.48n

Signal	Origin	Cyc	Tim	Clk	Signal Component	Origin	Destination	Operation Description
Common Entry (See Common Entry for Shift Instructions, Page 2-90)								
SHASC+	120-K8	F	TL2	L	(SHA0P+)(SCZR0-)	120-H8	122-D11 124-D4	Shift A-register and shift counter not equal to ZERO
CB1TF	124-L1	F	TL2	S	(SHASC+)(M07FF-)(M08FF+)(TL2FF+)(D16FF+)(MCSET+)	124-D4	124-L2	Set D16 into CB1TF
MFG2E-	122-F1	F	TL2	L	(SHASC+)(M07FF-)(TL2FF+)	122-D11	124-F1	Clear CB1TF
CLATR-	122-H7	F	TL2	R	(SHASC+)(TL2FF+)(M07FF-)(MCRST+)	122-D11	101--116-H5	Clear A-register
SRATS+	122-L1	F	TL2	S	(SHASC+)(TL2FF+)(M07FF-)(MCSET+)	122-D11	101--116-G6	Shift right A-register
D00DJ+	130-D1	F	TL2	L	(M10FF+)(D00FF+)	122-B1	101-G6	Maintain sign bit
D00FF+	130-H9	F	TL2	S	(ESDTS+)(R01PA+)(G01DJ-)	130-F6	130-B1	Extension of D-register
R01PA+	101-D9	F	TL2	L	(H01DJ-)	101-B9	101-B9	Adder network OR gate
G01DJ-	101-A4	F	TL2	L	(EASTL+)(A01FF+)	101-A4	101-A4	Adder network OR gate
Common Exit (See Common Exit for Shift Instructions, Page 2-113)								



NOTES: 1. THIS INSTRUCTION IDENTICAL TO ALR EXCEPT FOR STATE OF D17DJ

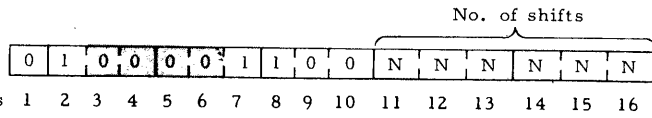
2. MISSING SIGNALS CAN BE FOUND IN LGL ENTRY ANALYSIS

3473

Instruction: Logical Left Shift (LGL)

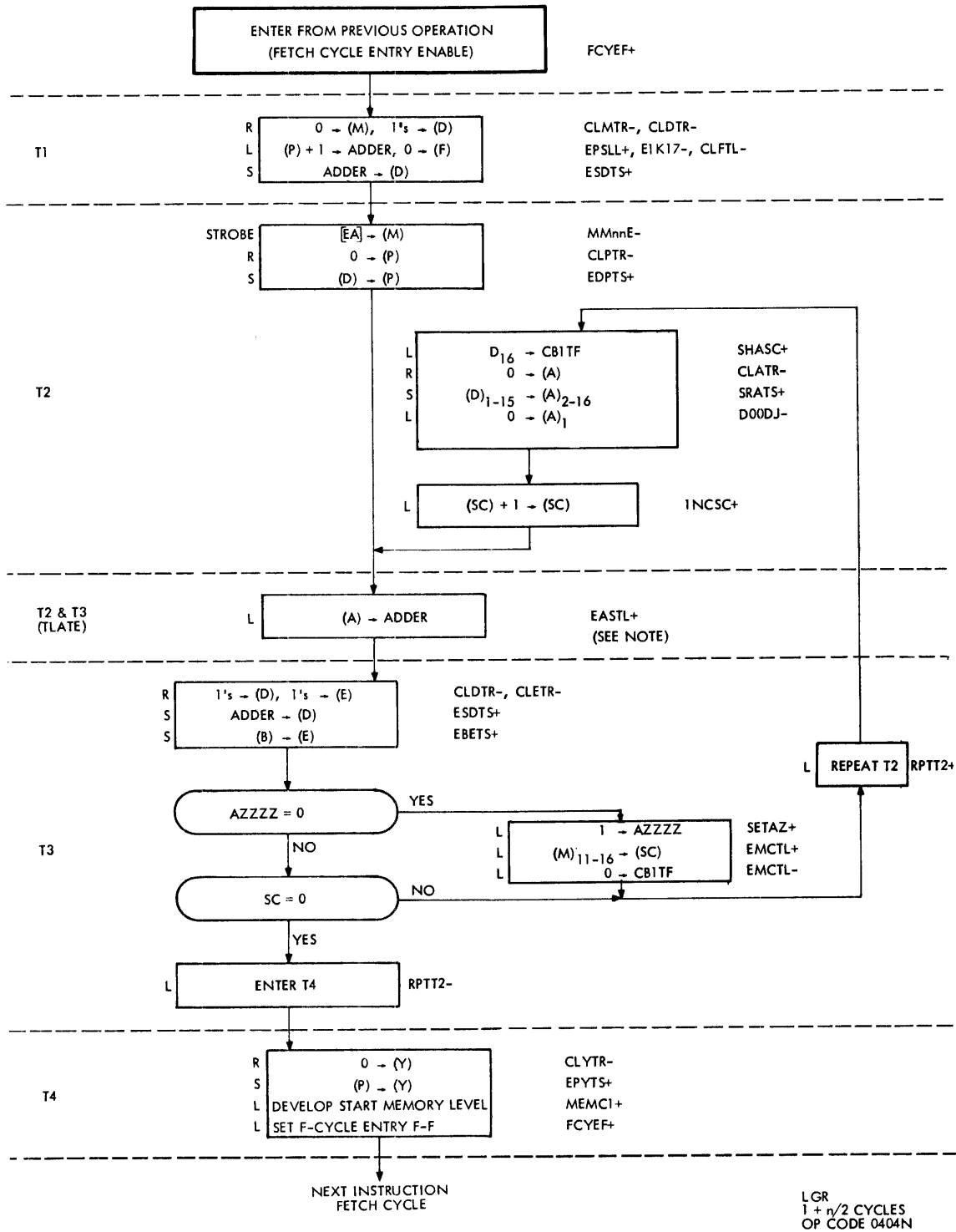
OP Code: 0414N Type: SH, 1 + n/2 cycles

Description: n = no. of shifts



Execution Time (μsec): 0.96 + 0.48n

Signal	Origin	Cyc	Tim	Clk	Signal Component	Origin	Destination	Operation Description
Common Entry (See Common Entry for Shift Instructions, Page 2-90)								
SHASC+	120-K8	F	TL2	L	(SHA0P+)(SCZR0-)	120-H8	122-D10 124-D1	Shift A-register and shift counter not equal to ZERO
CB1TF	124-L1	F	TL2	S	(SHASC+)(TL2FF+)(M07FF+)(M10FF-)(D01FF+)(MCSET+)	124-D3	124-L2	Set D1 into CB1TF
CLATR-	122-H7	F	TL2	R	(SHASC+)(TL2FF+)(M07FF+)(MCRST+)	122-D10	101--116-H5	Clear A-register
D17DJ-	130-F4	F	TL2	L	(M08FF+)	130-D3	116-G5	Clear A-register bit 16
SLATS+	122-L10	F	TL2	S	(SHASC+)(TL2FF+)(M07FF+)(MCSET+)	122-D10	101--116-G5	Shift left A-register
Common Exit (See Common Exit for Shift Instructions, Page 2-113)								



NOTES: 1. THIS INSTRUCTION IDENTICAL TO ARR EXCEPT FOR STATE OF D00DJ

2. MISSING SIGNALS CAN BE FOUND IN LGR ENTRY ANALYSIS

3475

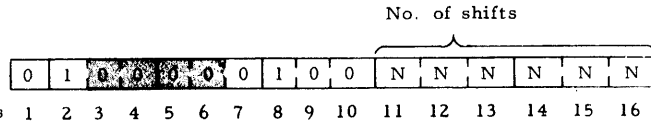
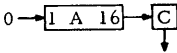
Instruction: Logical Right Shift (LGR)

OP Code: 0404N

Type: SH, $1 + n/2$ cycles

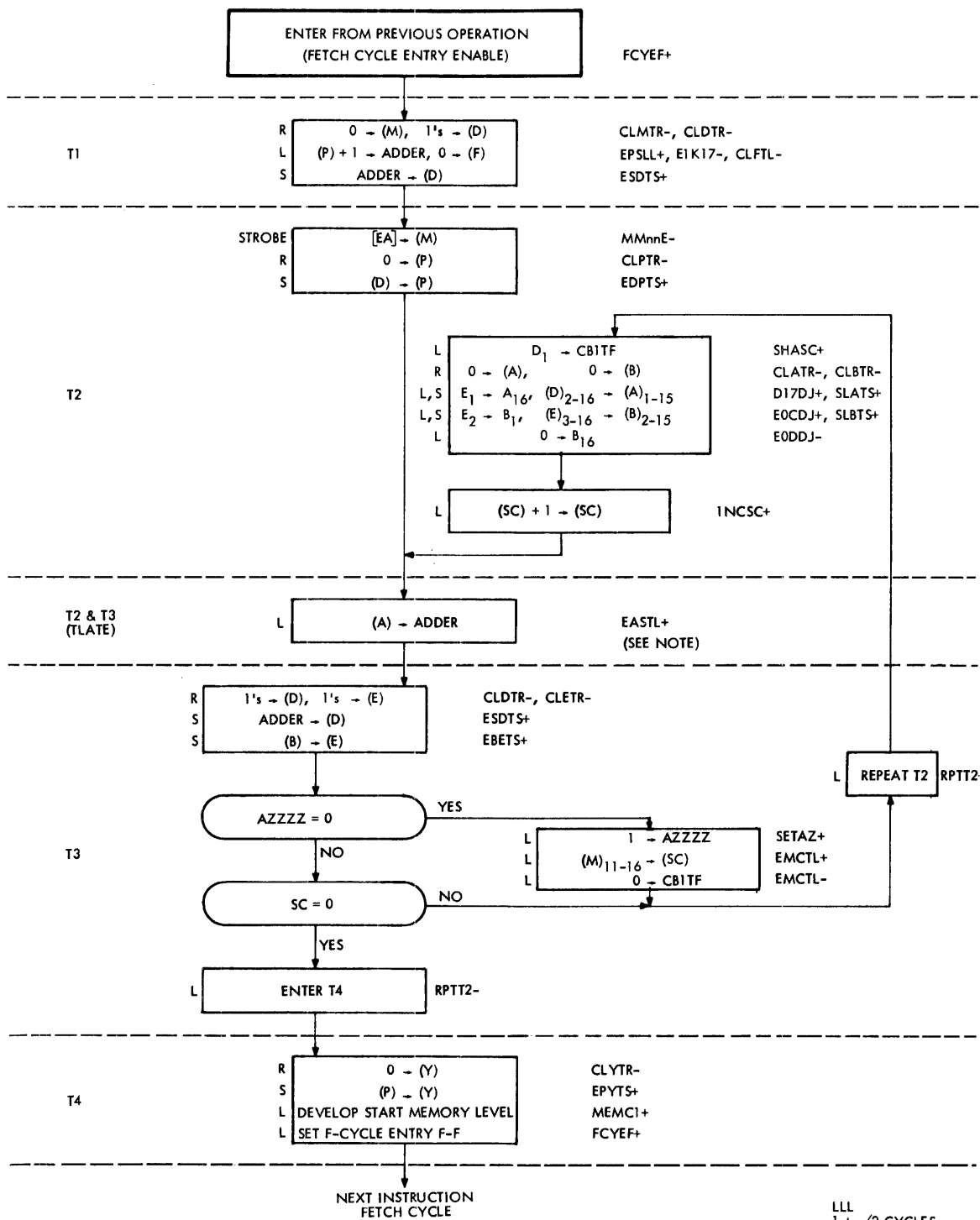
$n = \text{no. of shifts}$

Description:



Execution Time (μsec): $0.96 + 0.48n$

Signal	Origin	Cyc	Tim	Clk	Signal Component	Origin	Destination	Operation Description
Common Entry (See Common Entry for Shift Instructions, Page 2-90)								
SHASC+	120-K8	F	TL2	L	(SHA0P+)(SCZR0-)	120-H8	122-D11 124-D1/D4	Shift A-register and shift counter not equal to ZERO
CB1TF	124-L1	F	TL2	S	(SHASC+)(M07FF-)(M08FF+) (TL2FF+)(D16FF+)(MCSET+)	124-D4	124-L2	Set D16 into CB1TF
CLATR-	122-H7	F	TL2	R	(SHASC+)(M07FF-)(TL2FF+) (MCRST+)	122-D11	101--116-H5	Clear A-register
SRATS+	122-L11	F	TL2	S	(SHASC+)(TL2FF+)(M07FF-) (MCSET+)	122-D11	101--116-G6	Shift right A-register
MFG2E-	122-F1	F	TL2	L	(SHASC+)(TL2FF+)(M07FF-)	122-D11	124-F1	Clear CB1TF
D00DJ-	130-D1	F	TL2	L	(M10FF-)(M08FF+)	130-B3	101-G6	Clear A-register bit 1
Common Exit (See Common Exit for Shift Instructions, Page 2-113)								



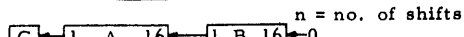
LLL
1 + n/2 CYCLES
OP CODE 0410N

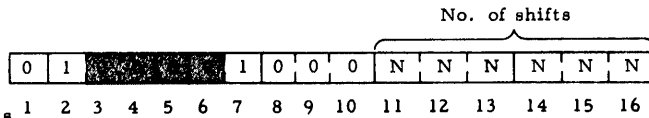
NOTES: 1. THIS INSTRUCTION IDENTICAL TO LLR EXCEPT FOR STATE OF EODDJ
2. MISSING SIGNALS CAN BE FOUND IN LLL ENTRY ANALYSIS

3477

Instruction: Long Left Logical Shift (LLL)

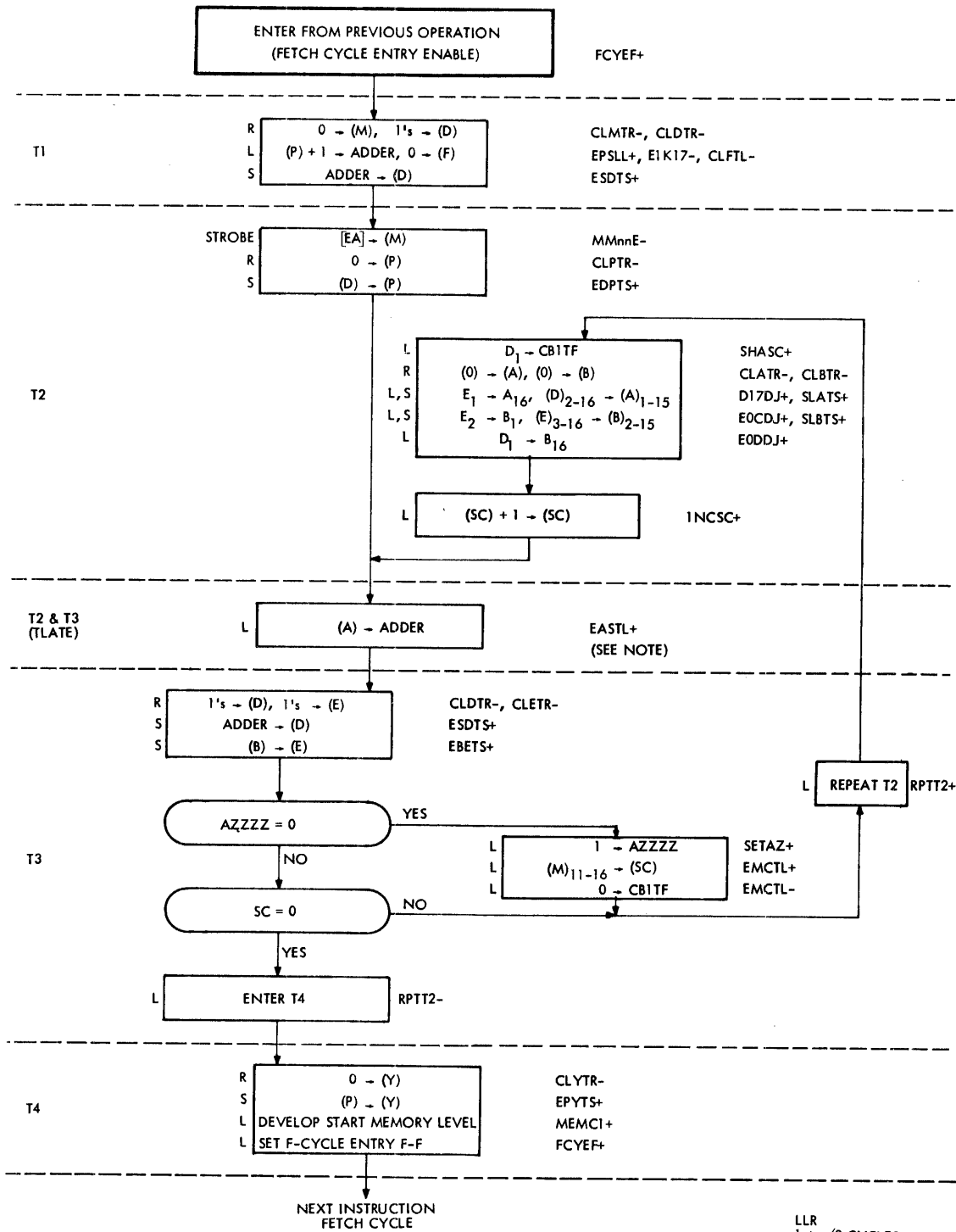
OP Code: 0410 Type: SH, 1 + n/2 cycles

Description:  n = no. of shifts



Execution Time (μsec): $0.96 + 0.48n$

Signal	Origin	Cyc	Tim	Clk	Signal Component	Origin	Destination	Operation Description
Common Entry (See Common Entry for Shift Instructions, Page 2-90)								
SHASC+	120-K8	F	TL2	L	(SHA0P+)(SCZR0-)	120-H8	122-C10 123-E4 124-D1/D3	Shift A-register and shift counter not equal to ZERO
CBITF	124-L1	F	TL2	S	(SHASC+)(TL2FF+)(M07FF+)(M10FF-)(D01FF+)(MCSET+)	122-D3	124-L2	Set D1 into CBITF
CLATR-	122-H7	F	TL2	R	(SHASC+)(TL2FF+)(M07FF+)(MCRST+)	122-C10	101--116-H5	Clear A-register
CLBTR-	123-J7	F	TL2	R	(SHASC+)(TL2FF+)(M07FF+)(M08FF-)(MCRST+)	123-E4	101--116-H2	Clear B-register
D17DJ+	130-F3	F	TL2	L	(ACYLF-)(M08FF-)(M10FF-)(E01FF+)	130-D3	116-G5	Left shift end effect
SLATS+	122-L10	F	TL2	S	(SHASC+)(TL2FF+)(M07FF+)	122-D10	101--116-G5	Shift left A-register
E0CDJ+	130-D8	F	TL2	L	(E02FF+)	130-D8	101-E1	Set E2 into B1
SLBTS+	123-L4	F	TL2	S	(SHASC+)(TL2FF+)(M07FF+)(M08FF-)(MCSET+)	123-E4	101--116-E1	Shift left B-register
E0DDJ-	130-D11	F	TL2	L	(M09FF-)	130-B11	116-G1	Clear B16
Common Exit (See Common Exit for Shift Instructions, Page 2-113)								



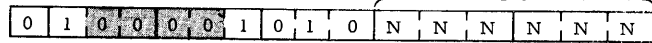
- NOTES: 1. THIS INSTRUCTION IDENTICAL TO LLL EXCEPT FOR STATE OF E0DDJ
2. MISSING SIGNALS CAN BE FOUND IN LLR ENTRY ANALYSIS

3479

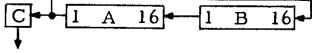
Instruction: Long Left Rotate (LLR)

OP Code: 0412N

Type: SH, 1 + n/2 cycles



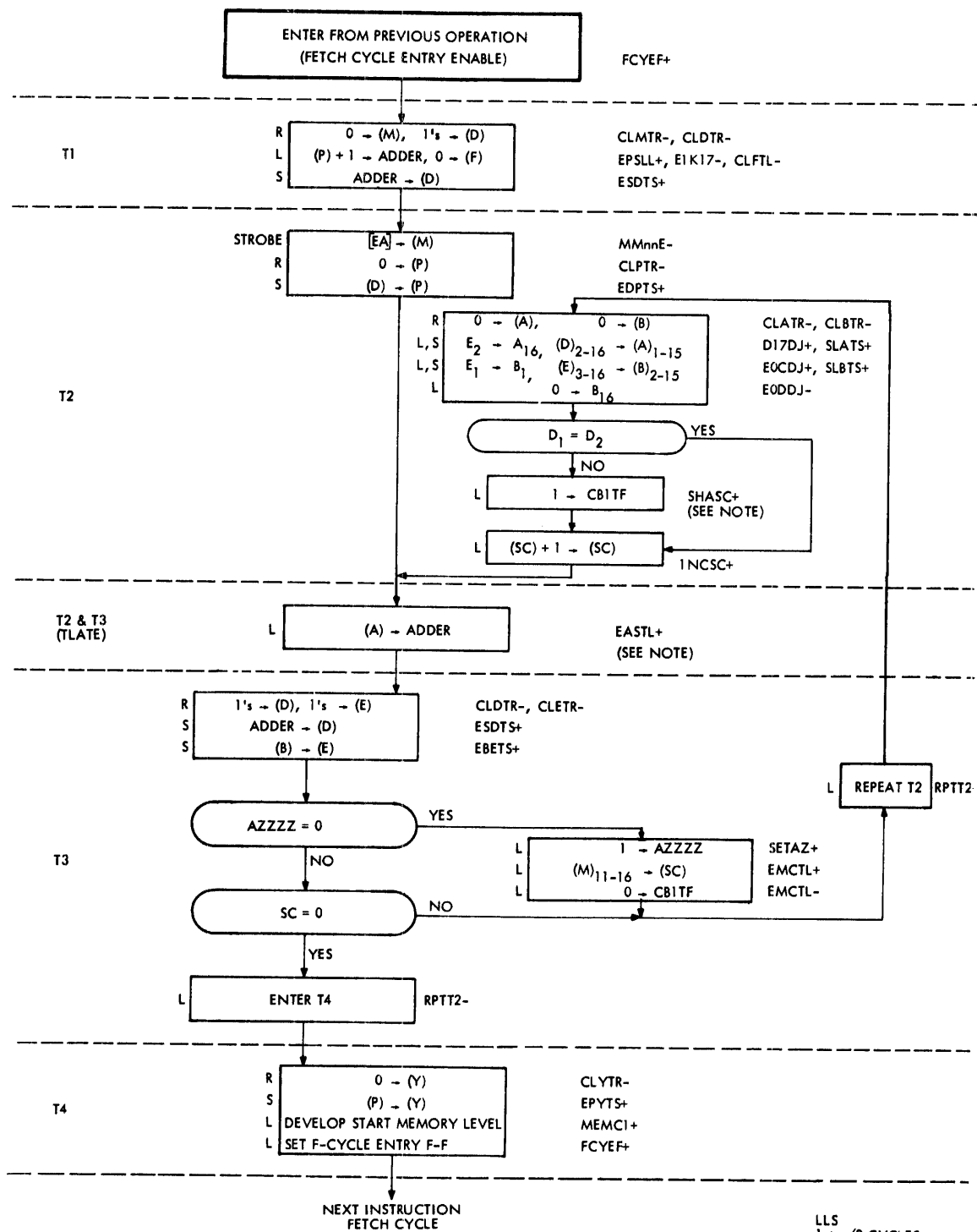
Description: n = no. of shifts



Execution Time (μsec): 0.96 + 0.48n

Signal	Origin	Cyc	Tim	Clk	Signal Component	Origin	Destination	Operation Description
Common Entry (See Common Entry for Shift Instructions, Page 2-90)								
SHASC+	120-K8	F	TL2	L	(SHA0P+)(SCZR0-)	120-H8	122-C10 123-E4 124-C1/C3	Shift A-register and shift counter not equal to ZERO
CB1TF	124-L1	F	TL2	S	(SHASC+)(TL2FF+)(M07FF+)(M10FF-)(D01FF+)(MCSET+)	124-D3	124-L2	Set D1 into CB1TF
CLATR-	122-H7	F	TL2	R	(SHASC+)(TL2FF+)(M07FF+)(MCRST+)	122-C10	101--116-H5	Clear A-register
CLBTR-	123-J7	F	TL2	R	(SHASC+)(TL2FF+)(M07FF+)(M08FF-)(MCRST+)	123-E4	101--116-H2	Clear B-register
D17DJ+	130-F3	F	TL2	L	(ACYLF-)(M08FF-)(M10FF-)(E01FF+)	130-D3	116-G5	Left shift end effect
SLATS+	122-L10	F	TL2	S	(SHASC+)(TL2FF+)(M07FF+)(MCSET+)	122-D10	101--116-G5	Shift left A-register
E0CDJ+	130-D8	F	TL2	L	(E02FF+)	130-D8	101-E1	Set E2 and B1
SLBTS+	123-L4	F	TL2	S	(SHASC+)(TL2FF+)(M07FF+)(M08FF-)(MCSET+)	123-E4	101--116-E1	Shift left B-register
E0DDJ+	130-D11	F	TL2	L	(SHA0P+)(M09FF+)(D01FF+)	130-B11	116-G1	Set D1 into B16
Common Exit (See Common Exit for Shift Instructions, Page 2-113)								

A → ADDR → D → REG.



LLS
 1 + n/2 CYCLES
 OP CODE 0411N

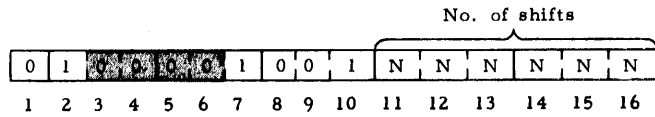
NOTE: MISSING SIGNALS CAN BE
 FOUND IN LLS ENTRY ANALYSIS

8481

Instruction: Long Arithmetic Left Shift (LLS)

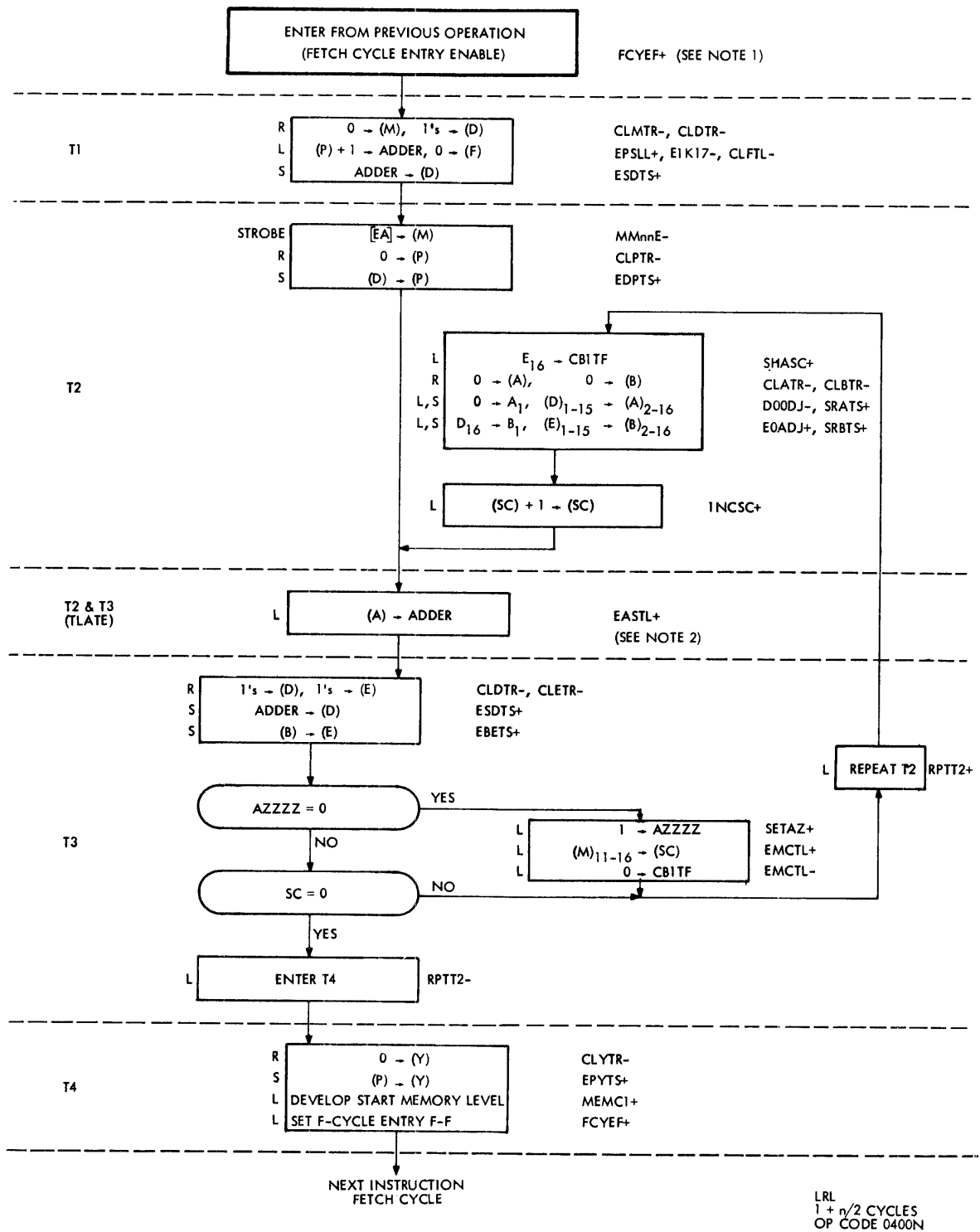
OP Code: 0411N Type: SH, $1 + n/2$ cycles
 $n = \text{no. of shifts}$

Description: OVF → (C)



Execution Time (μsec): $0.96 + 0.48n$

Signal	Origin	Cyc	Tim	Clk	Signal Component	Origin	Destination	Operation Description
Common Entry (See Common Entry for Shift Instructions, Page 2-90)								
SHASC+	120-K8	F	TL2	L	(SHA0P+)(SCZR0-)	120-H8	122-D10 123-E4 124-D7	Shift A-register and shift counter not equal to ZERO
CLATR-	122-H7	F	TL2	R	(SHASC+)(TL2FF+)(M07FF+)(MCRST+)	122-C10	101--116-H5	Clear A-register
CLBTR-	123-J7	F	TL2	R	(SHASC+)(TL2FF+)(M07FF+)(M08FF-)(MCRST+)	123-E4	101--116-H2	Clear B-register
D17DJ+	130-F3	F	TL2	L	(M08FF-)(M10FF+)(E02FF+)	130-D4	116-G5	Left shift end effect
SLATS+	122-L10	F	TL2	S	(SHASC+)(TL2FF+)(M07FF+)(MCSET+)	122-D10	101--116-G5	Shift left A-register
E0CDJ+	130-D8	F	TL2	L	(ACYLF-)(M10FF+)(E01FF-)	130-D7	101-E1	Set E1 into B1
SLBTS+	123-L4	F	TL2	S	(SHASC+)(TL2FF+)(M07FF+)(M08FF-)(MCSET+)	123-E4	101--116-E1	Shift left B-register
E0DDJ-	130-D11	F	TL2	L	(M09FF-)	130-B11	116-G1	Clear B16
D1 \neq D2	124-D7	F	TL2	L	See inputs to gate A1E37-F	124-D7	124-F2	Set CB1T with SHASC+
Common Exit (See Common Exit for Shift Instructions, Page 2-113)								



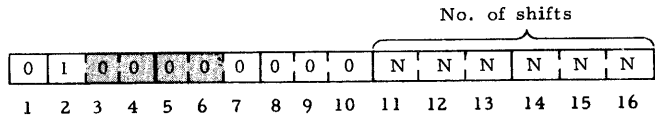
NOTES: 1. THIS INSTRUCTION IDENTICAL TO LRR EXCEPT FOR STATE OF D00DJ

2. MISSING SIGNALS CAN BE FOUND IN LRL ENTRY ANALYSIS

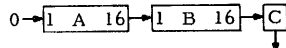
Instruction: Long Right Logical Shift (LRL)

OP Code: 0400N

Type: SH, $1 + n/2$ cycle
 n = no. of shifts

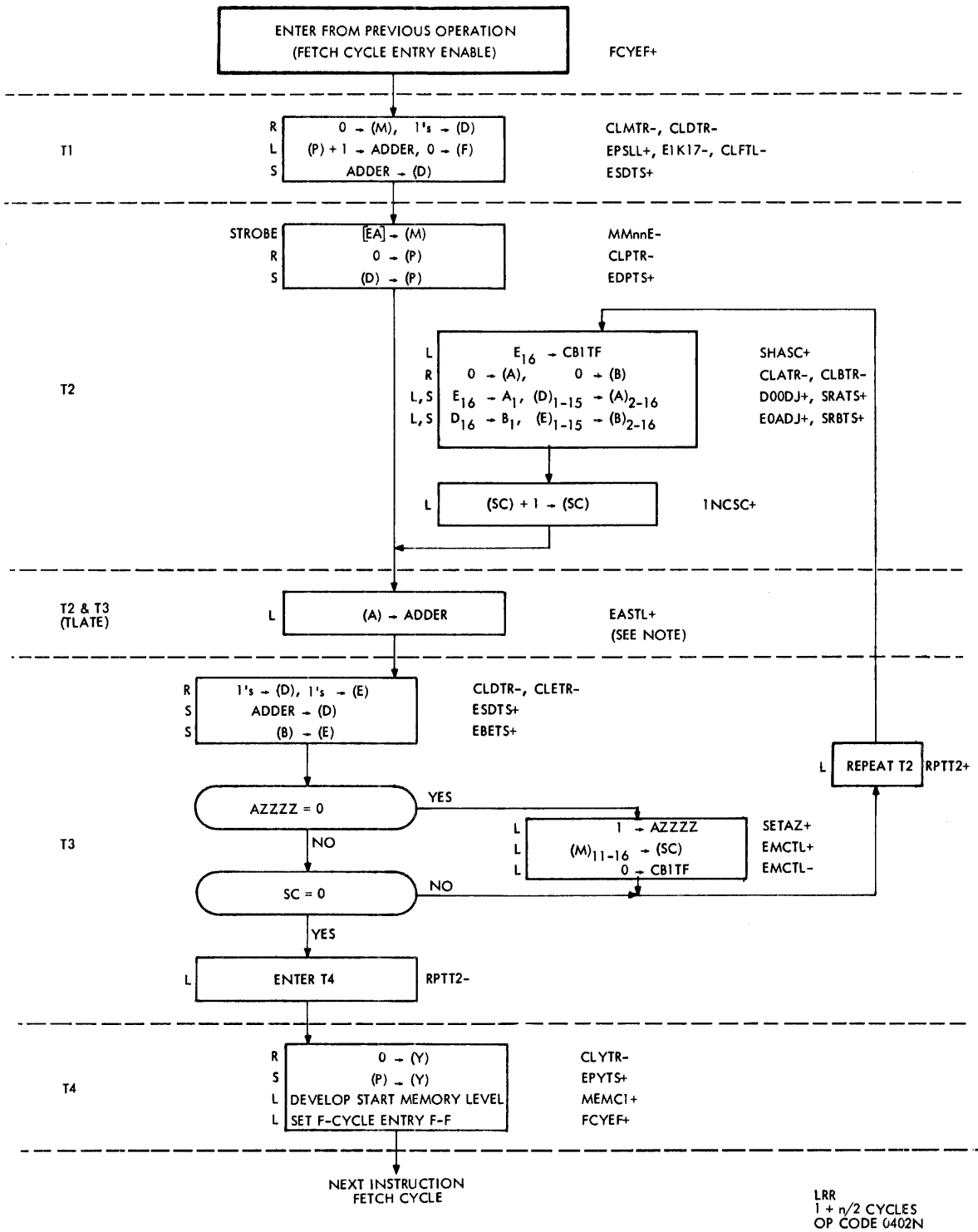


Description:



Execution Time (μ sec): $0.96 + 0.48n$

Signal	Origin	Cyc	Tim	Clk	Signal Component	Origin	Destination	Operation Description
Common Entry (See Common Entry for Shift Instructions, Page 2-90)								
SHASC+	120-K8	F	TL2	L	(SHA0P+)(SCZR0-)	120-H8	122-C11 123-E6 124-D1/D5	Shift A-register and shift counter not equal to ZERO
CB1TF	124-L1	F	TL2	S	(TL2FF+)(SHASC+)(M07FF-) (M08FF-)(E16FF+)(MCSET+)	124-D5	124-L2	Set E16 into CB1TF
MFG2E-	122-F1	F	TL2	L	(SHASC+)(TL2FF+)(M07FF-)	122-D11	124-F1	Clear CB1TF
CLATR-	122-H7	F	TL2	R	(SHASC+)(TL2FF+)(M07FF-) (MCRST+)	122-C11	101--116-H5	Clear A-register
CLBTR-	123-J7	F	TL2	R	(SHASC+)(TL2FF+)(M07FF-) (M08FF-)(MCRST+)	123-E6	101--116-H2	Clear B-register
D00DJ-	130-D1	F	TL2	L	(M10FF-)(M09FF-)	130-B2	101-G6	Clear A-register bit 1 with SRATS+
SRATS+	122-L1	F	TL2	S	(SHASC+)(TL2FF+)(M07FF-) (MCSET+)	122-D11	101--116-G6	Shift right A-register
E0ADJ+	130-D9	F	TL2	L	(M10FF-)(D16FF-)	130-D10	101-E2	Set D16 into B1
SRBTS+	123-L8	F	TL2	S	(SHASC+)(TL2FF+)(M07FF-) (M08FF-)(MCSET+)	123-E6	101--116-E2	Shift right B-register
Common Exit (See Common Exit for Shift Instructions, Page 2-113)								



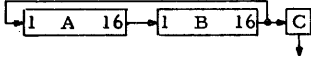
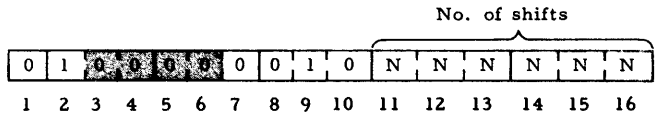
NOTES: 1. THIS INSTRUCTION IDENTICAL TO LRL EXCEPT FOR STATE OF D00DJ

2. MISSING SIGNALS CAN BE FOUND IN LRR ENTRY ANALYSIS

Instruction: Long Right Rotate (LRR)

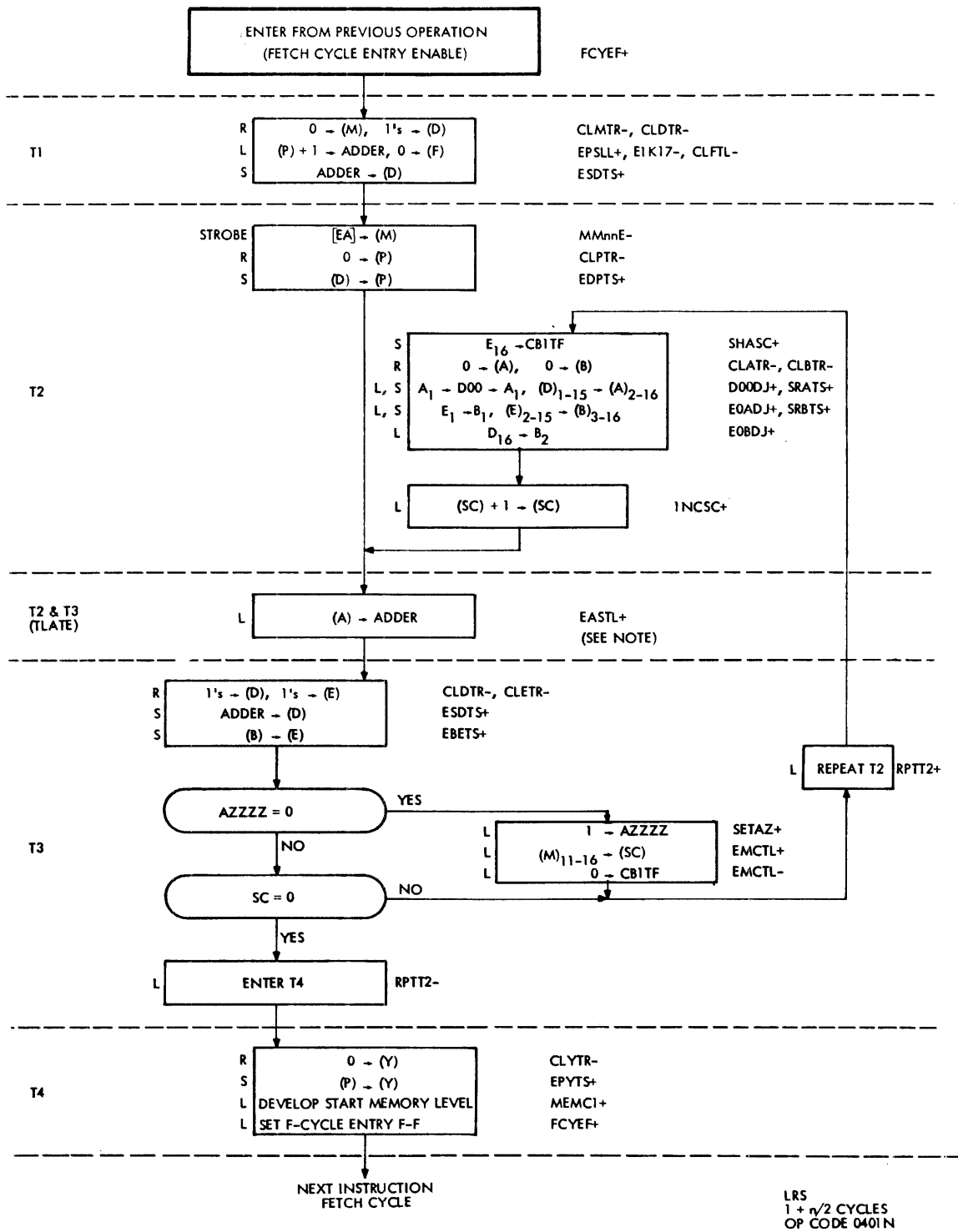
OP Code: 0402N **Type:** SH, $1 + n/2$ cycles

Description: $n = \text{no. of shifts}$



Execution Time (μsec): $0.96 + 0.48n$

Signal	Origin	Cyc	Tim	Clk	Signal Component	Origin	Destination	Operation Description
Common Entry (See Common Entry for Shift Instructions, Page 2-90)								
SHASC+	120-K8	F	TL2	L	(SHA0P+)(SCZR0-)	120-H8	122-C11 123-E6 124-D1/D5	Shift A-register and shift counter not equal to ZERO
CB1TF	124-L1	F	TL2	S	(TL2FF+)(SHASC+)(M07FF-) (M08FF-)(E16FF+)(MCSET+)	124-D5	124-L2	Set E16 into CB1TF
CLATR-	122-H7	F	TL2	R	(SHASC+)(TL2FF+)(M07FF-) (MCRST+)	122-C11	101--116-H5	Clear A-register
CLBTR-	123-J7	F	TL2	R	(SHASC+)(TL2FF+)(M07FF-) (M08FF-)(MCRST+)	123-E6	101--116-H2	Clear B-register
D00DJ+	130-D1	F	TL2	L	(SHA0P+)(M08FF-)(M09FF+) (E16FF+)	130-B3	101-G6	Set E16 into A1 with SRATS+
SRATS+	122-L1	F	TL2	S	(SHASC+)(TL2FF+)(M07FF-) (MCSET+)	122-D11	101--116-G6	Shift right A-register
MFG2E-	122-F1	F	TL2	L	(SHASC+)(TL2FF+)(M07FF-)	122-D11	124-F1	Clear CB1TF
E0ADJ+	130-D9	F	TL2	L	(M10FF-)(D16FF-)	130-D10	101-E2	Set D16 into B1
SRBTS+	123-L8	F	TL2	S	(SHASC+)(TL2FF+)(M07FF-) (M08FF-)(MCSET+)	123-E6	101--116-E2	Shift right B-register
Common Exit (See Common Exit for Shift Instructions, Page 2-113)								



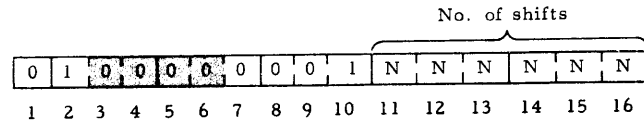
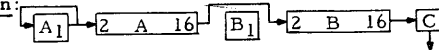
NOTE: MISSING SIGNALS CAN BE FOUND IN LRS ENTRY ANALYSIS

3485

Instruction: Long Arithmetic Right Shift (LRS)

OP Code: 0401N Type: SH, 1 + n/2 cycles

Description: n = no. of shifts



Execution Time (μsec): 0.96 + 0.48n

Signal	Origin	Cyc	Tim	Clk	Signal Component	Origin	Destination	Operation Description
Common Entry (See Common Entry for Shift Instructions, Page 2-90)								
SHASC+	120-K8	F	TL2	L	(SHA0P+)(SCZR0-)	120-H8	122-D11 123-E7 124-D5	Shift A-register and shift counter not equal to ZERO
CB1TF	124-L1	F	TL2	S	(TL2FF+)(SHASC+)(M07FF-) (M08FF-)(E16FF+)(MCSET+)	124-D5	124-L2	Set E16 into CB1TF
CLATR-	122-H7	F	TL2	R	(SHASC+)(TL2FF+)(M07FF-) (MCRST+)	122-D11	101--116-H5	Clear A-register
CLBTR-	123-J7	F	TL2	R	(SHASC+)(TL2FF+)(M07FF-) (M08FF-)(MCRST+)	123-E6	101--116-H2	Clear B-register
D00DJ+	130-D1	F	TL2	L	(M10FF+)(D00FF+)	130-B1	101--G6	Maintain sign bit
D00FF+	130-H9	F	TL2	S	(ESDTS+)(R01PA+)(G01DJ-)	130-F6	130-B1	Extension of D-register
R01PA+	101-D9	F	TL2	L	(H0LDJ-)	101-B9	101-B9	Adder network OR gate
G01DJ-	101-A4	F	TL2	L	(EASTL+)(A01FF+)	101-A4	101-A4	Adder network OR gate
SRATS+	122-L1	F	TL2	S	(SHASC+)(TL2FF+)(M07FF-) (MCSET+)	122-D11	101--116-G6	Shift right A-register
MFG2E-	122-F1	F	TL2	L	(SHASC+)(TL2FF+)(M07FF-)	122-D11	124-F1	Clear CB1TF
E0ADJ+	130-D9	F	TL2	L	(M10FF+)(E01FF-)	130-D9	101-E2	Set E1 into B1
E0BDJ+	130-F1	F	TL2	L	(M10FF+)(D16FF-)	130-F1	102-F2	Set D16 into B2
SRBTS+	123-L8	F	TL2	S	(SHASC+)(TL2FF+)(M07FF-) (M08FF-)(MCSET+)	123-E6	101--116-E2	Shift right B-register
Common Exit (See Common Exit for Shift Instructions, Page 2-113)								

Common shift instruction exit

Instruction:

Signal	Origin	Cyc	Tim	Clk	Signal Component	Origin	Destination	Operation Description
INCSC+	126-L3	F	TL2	L	(FCYEF+)(TL2FF+)*	126-H3	121-A5	Increment shift counter
CLYTR-	129-J3	F	TL4	R	(ACYNX-)(TL4FF+)(MCRST+)	129-D3	101--116-L11	Clear Y-register
EPYTS+	129-L4	F	TL4	S	(PISEX-)(E01NS+)(0PGJS-)	129-D4/ H4	101--116-K11	Enable P-register to Y-register
MEMC1+	126-J11	F	TL4	L	(TL4FF+)(SPMOD-)(TLAFF-)	126-F11/ H11	150-C1	Enable set RCYF1+
RCYF1+	150-D1	F	TL4	S	(MCSET+)(MEMC1+)(RCYF1-)	150-C2	150-D1	Start memory cycle

* Repeat T3 and T2 as required and enter T4

The Other Computer Company:
Honeywell

HONEYWELL INFORMATION SYSTEMS