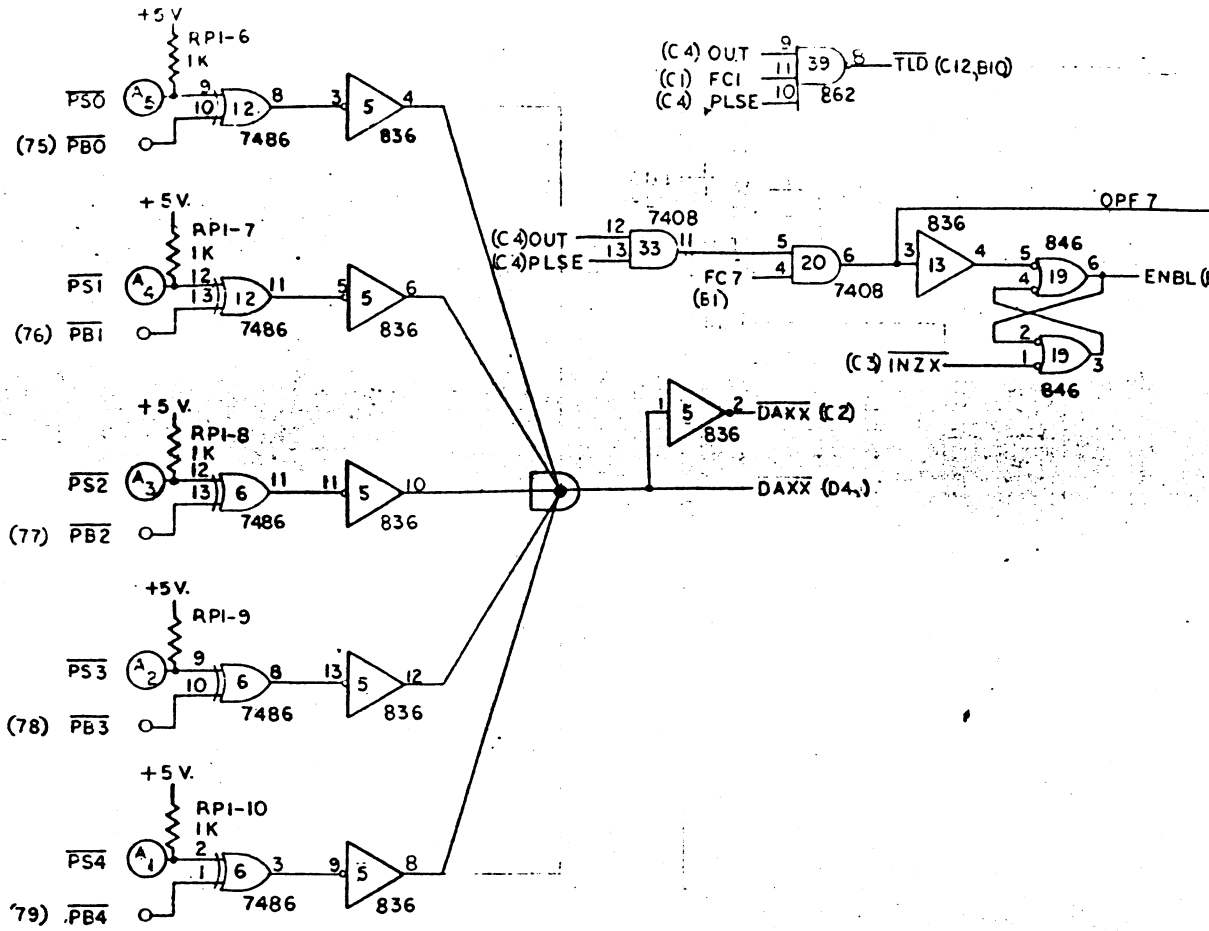


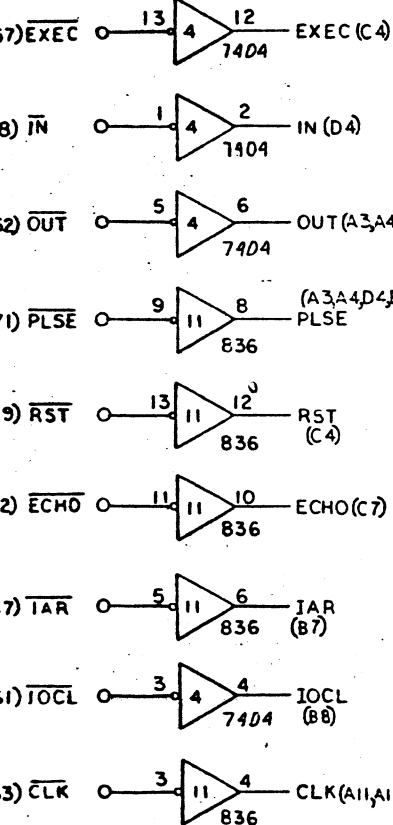
DEVICE ADDRESS DECODER

OUTPUT COMMAND DECODER

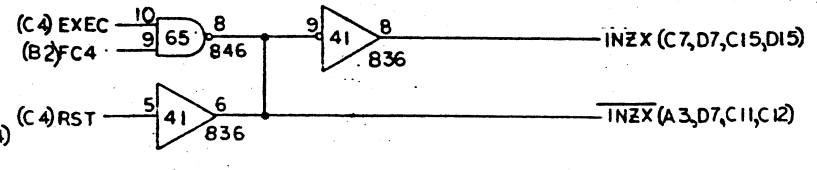
REVISIONS		
SYM	DESCRIPTION	DATE APPROVAL
A0	INITIAL RELEASE	
A1	INCORP EN 53227-XX-01	
A2	INCORP EN 53227-XX-02	
A3	INCORP EN 53227-XX-03	
A4	INCORP EN 53227-XX-04	1-6-73



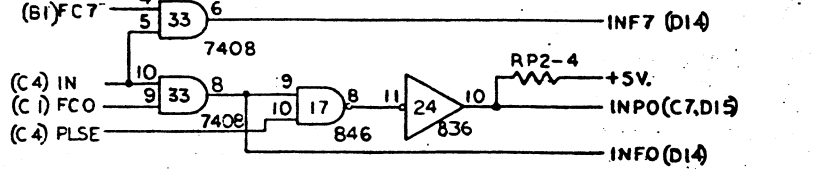
CONTROL BUS INPUTS



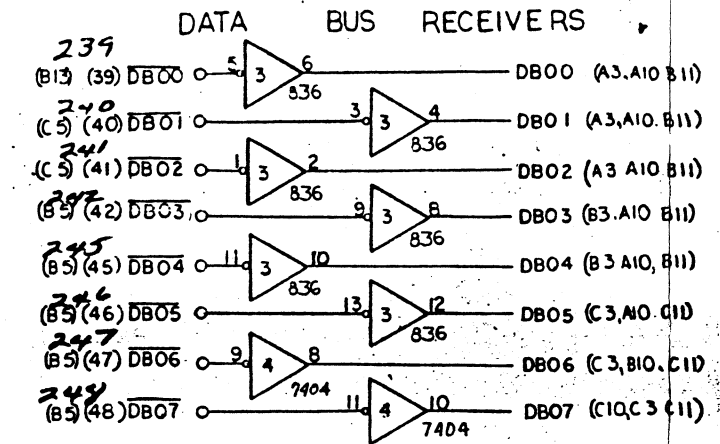
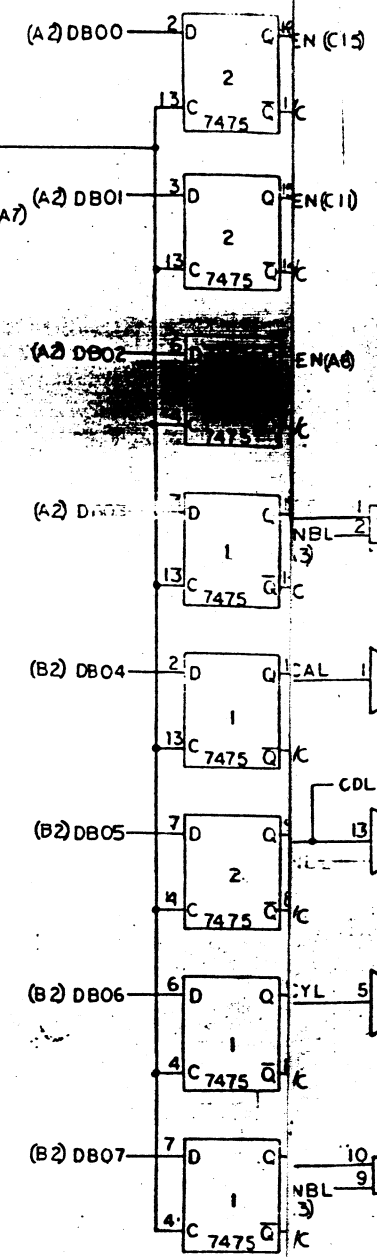
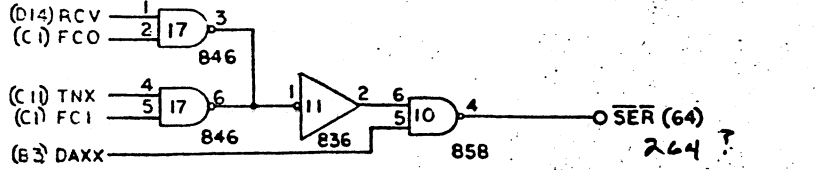
SELECT COMMAND DECODER



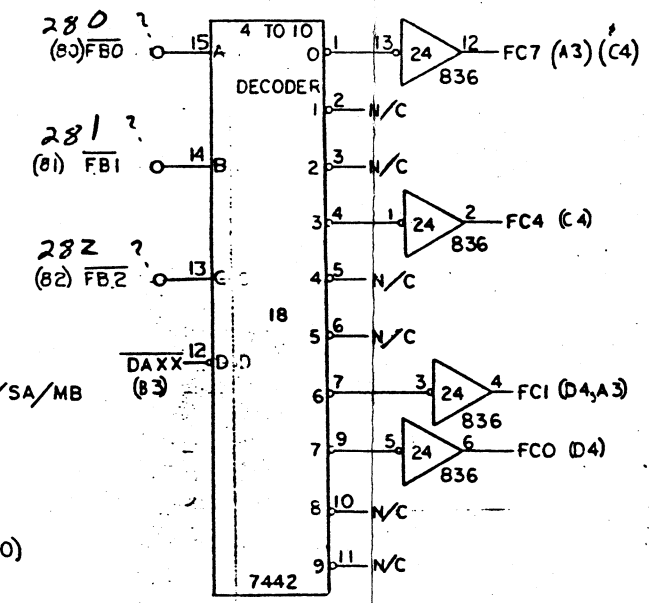
INPUT COMMAND DECODER



SENSE ENCODER



FUNCTION DECODER

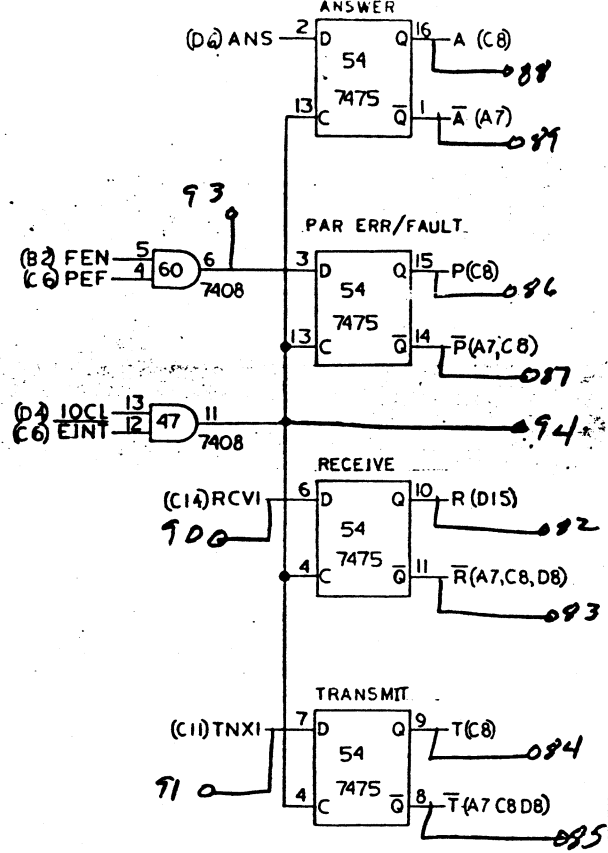


1. ALL RESIS
 2. REF DESIG
 3. SEE DWG. N
 4. VCC & GRD. INJECTIONS AS FOLLOWS: +15 PIN 14, -15 PIN 1, MC1488L ONLY.
- NOTES: UNLESS OTHERWISE SPECIFIED:

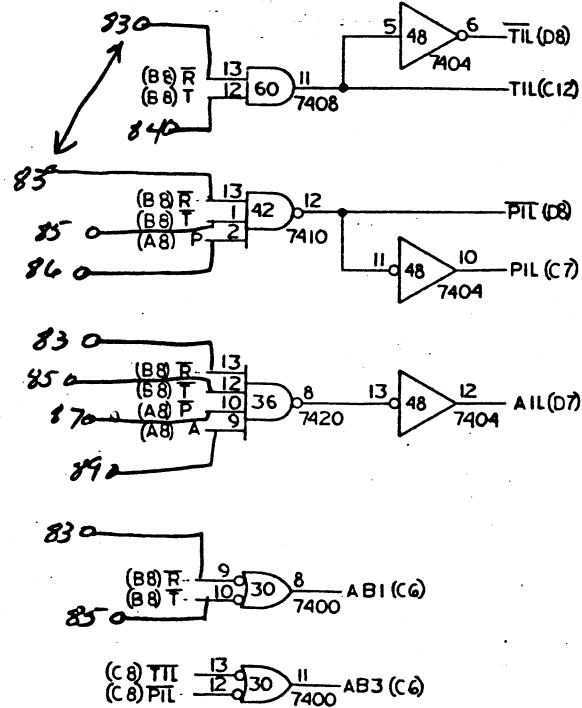
NOV 17 1974
K. Price D135

QTY	ITEM NO.	PART NO.	DESCRIPTION	MAT'L. VENDOR
LIST OF MATERIAL				
COMPUTER AUTOMATION INC.				
LOGIC DIAGRAM ASYNCHRONOUS DATA SET CONTROLLER, ALPHA				
SIZE D				REV 84
SCALE =				SMT. 1 OF 4

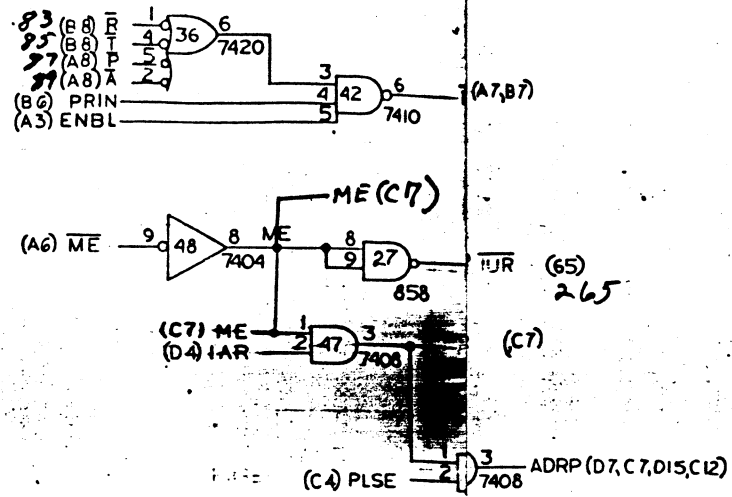
INTERRUPT REQUEST
FLIP-FLOPS



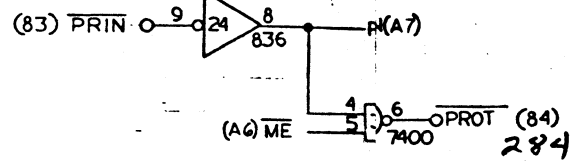
INTERRUPT DECODING



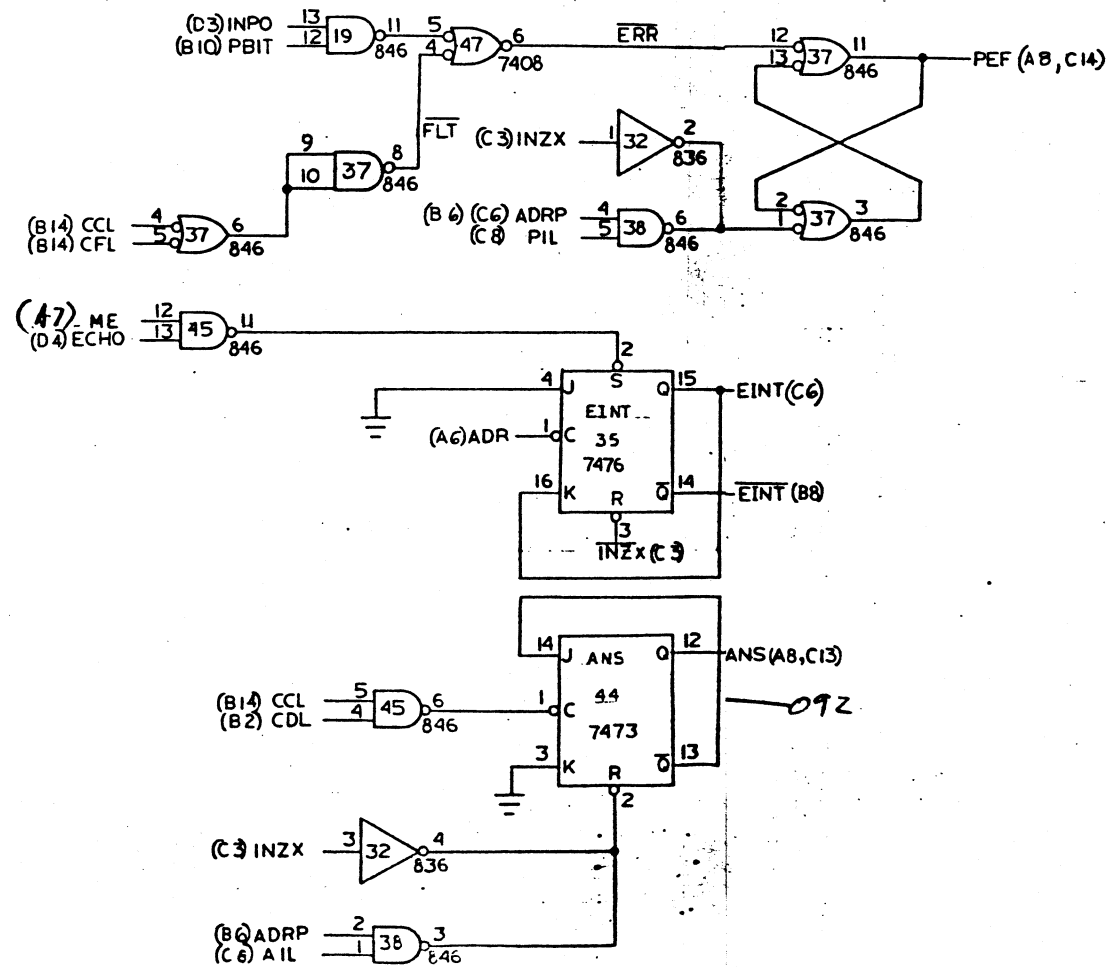
INTERRUPT REQUEST



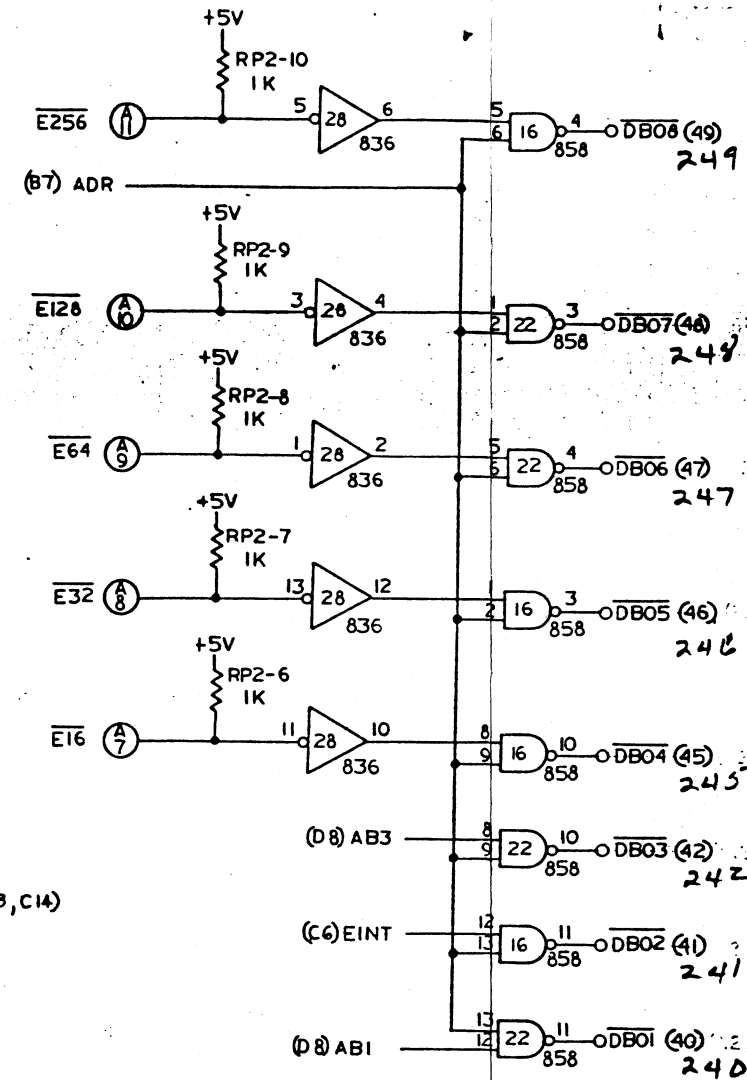
PRIORITY LOGIC



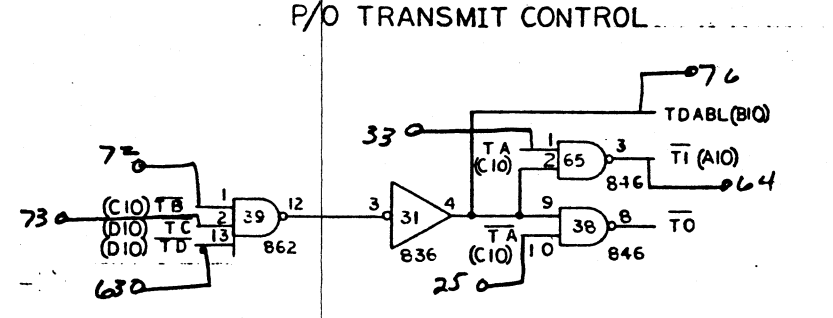
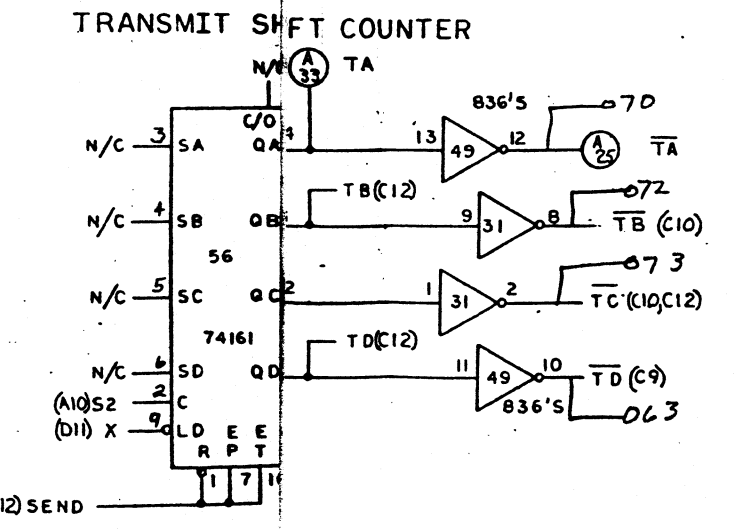
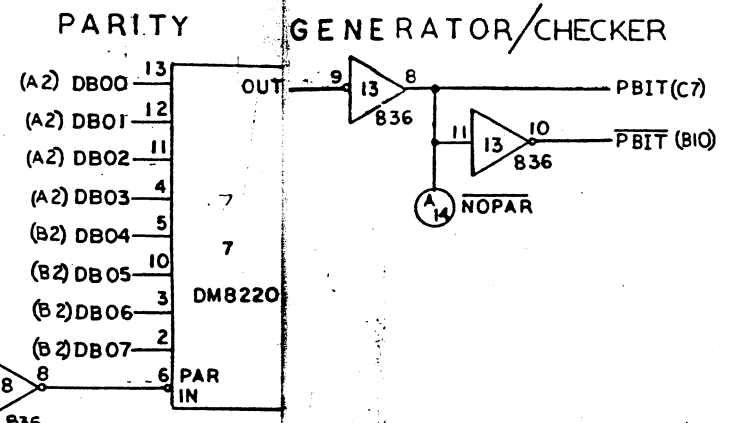
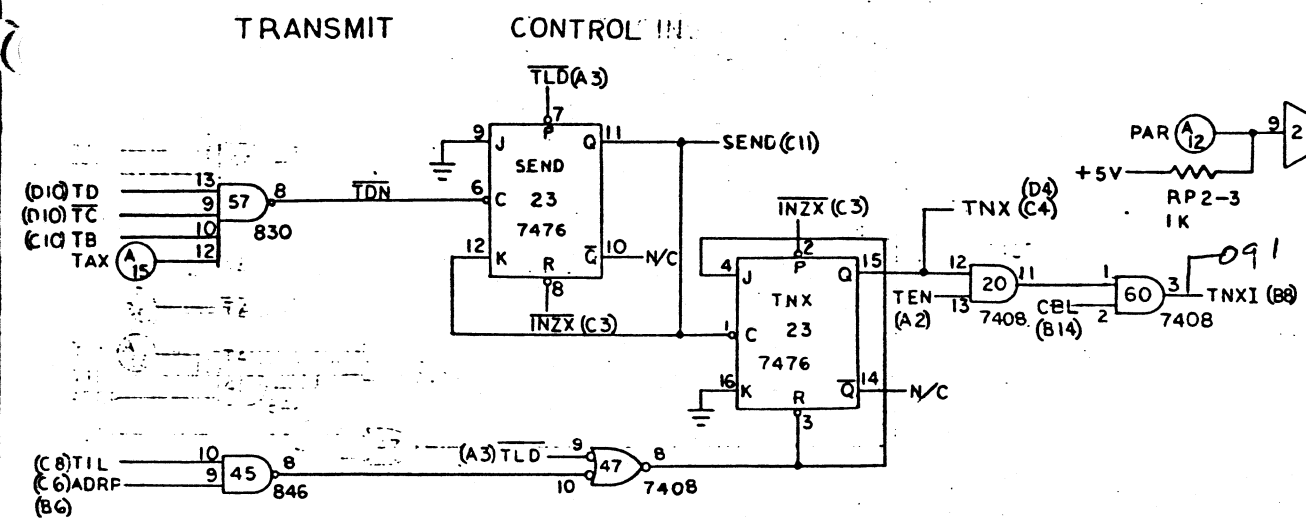
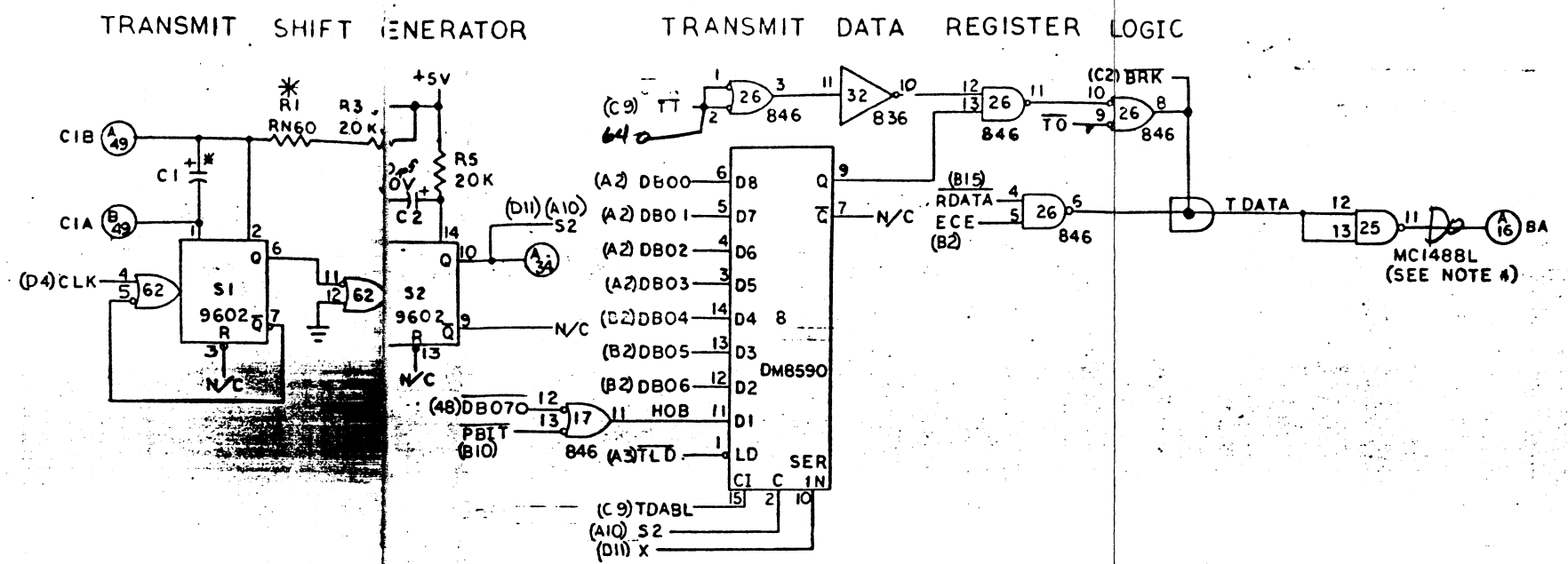
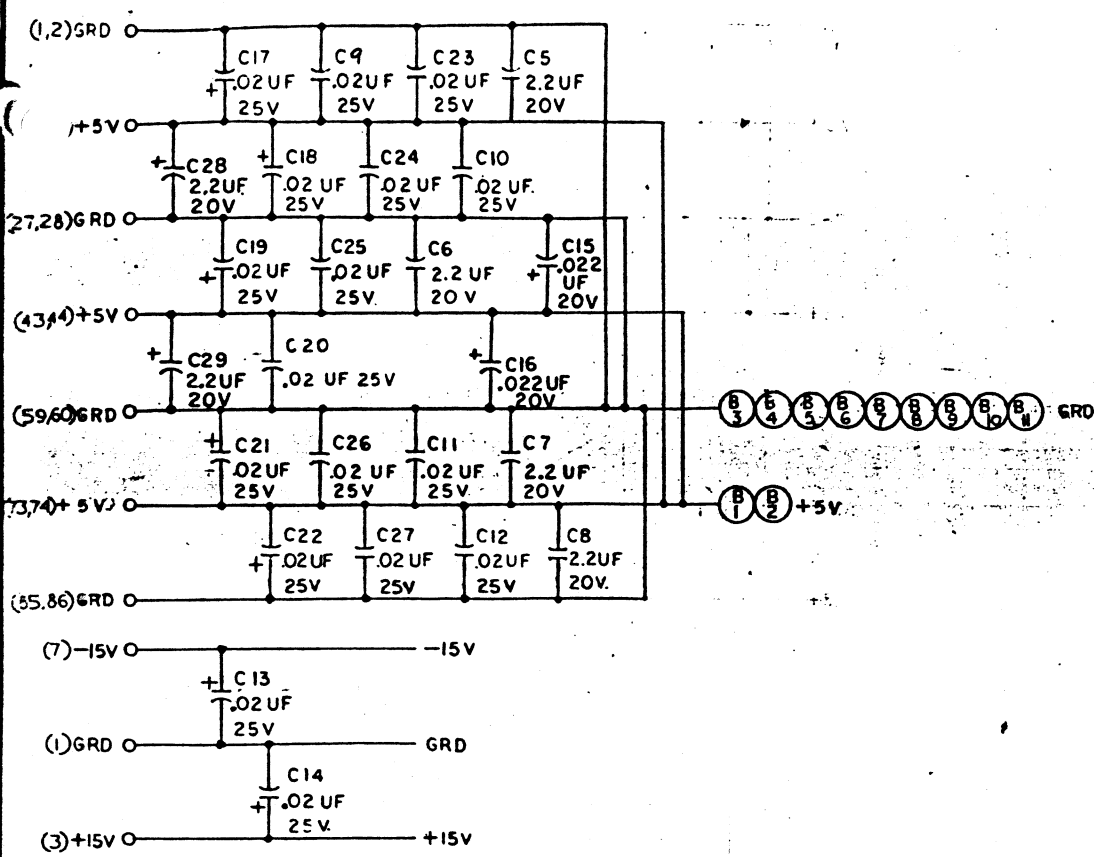
INTERRUPT CONDITION



INTERRUPT ADDRESS GENERATOR



SIZE	00-52227-xx	REV	A4
D		SCALE =	SMT. 2 OF 4



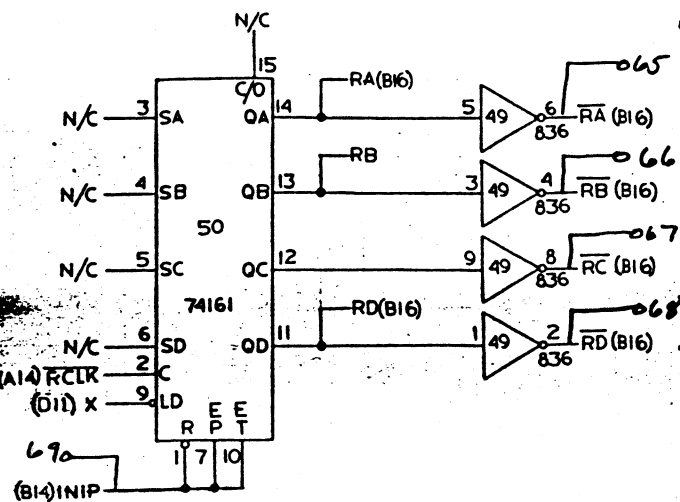
53227-XX

DIGIT NO.	BAUD RATE	VALUE CI	VALUE C3	VALUE RI	VALUE R2
-11	110	1.5 UF	.68 UF	14.3K	14.3K
-12	150	1.5 UF	.68 UF	14.3K	14.3K
-13	300	1.5 UF	.68 UF	4.99K	4.99K
-14	600	.53 UF	.15 UF	14.3K	14.3K
-15	1200	.15 UF	.082 UF	4.99K	4.99K
-16	1800	.15 UF	.082 UF	4.99K	4.99K
-17	2400	.15 UF	.082 UF	4.99K	4.99K
-18	4800	.039 UF	.039 UF	4.99K	4.99K
-19	9600	.015 UF	.015 UF	4.99K	4.99K

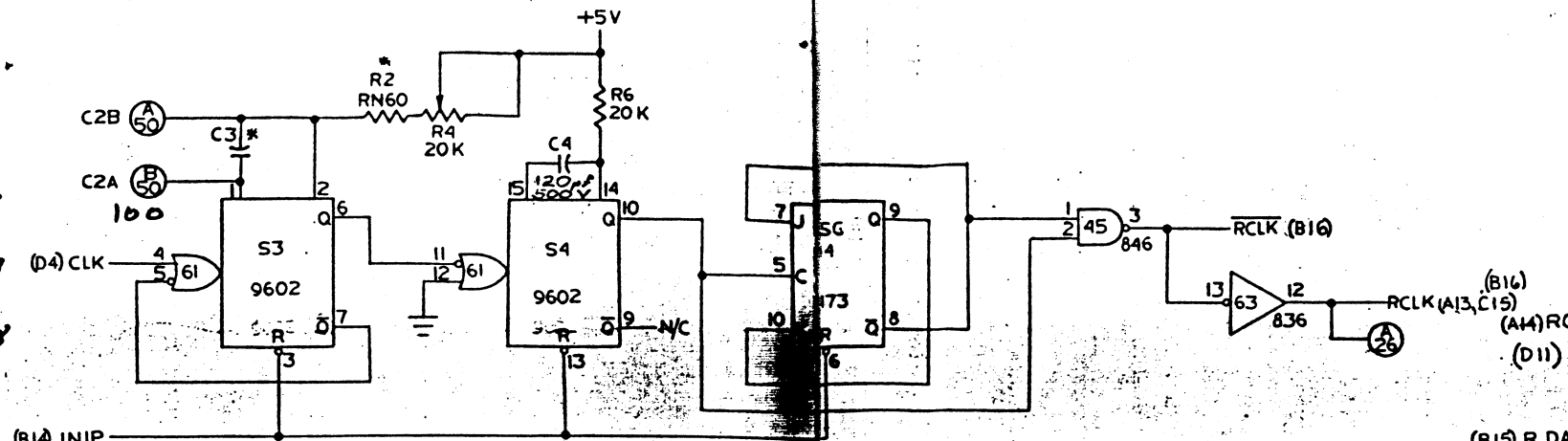
+5V
RP2-2
1K
X (A13, B10, D11, B14)

* TEST
SEE TABULATION BLOCK (THIS SHIT)

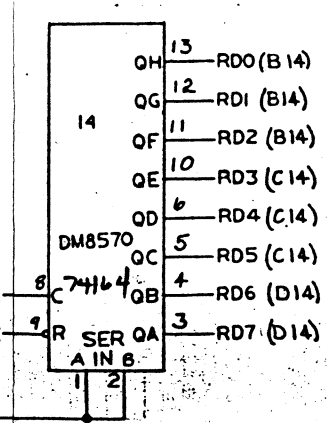
RECEIVE SHIFT COUNTER



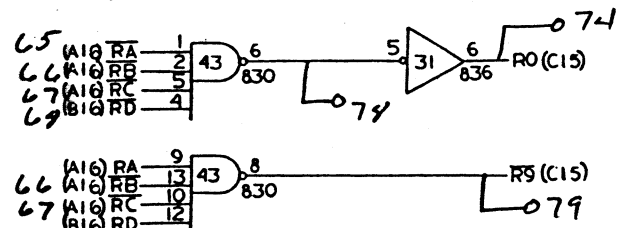
RECEIVE SHIFT GENERATOR



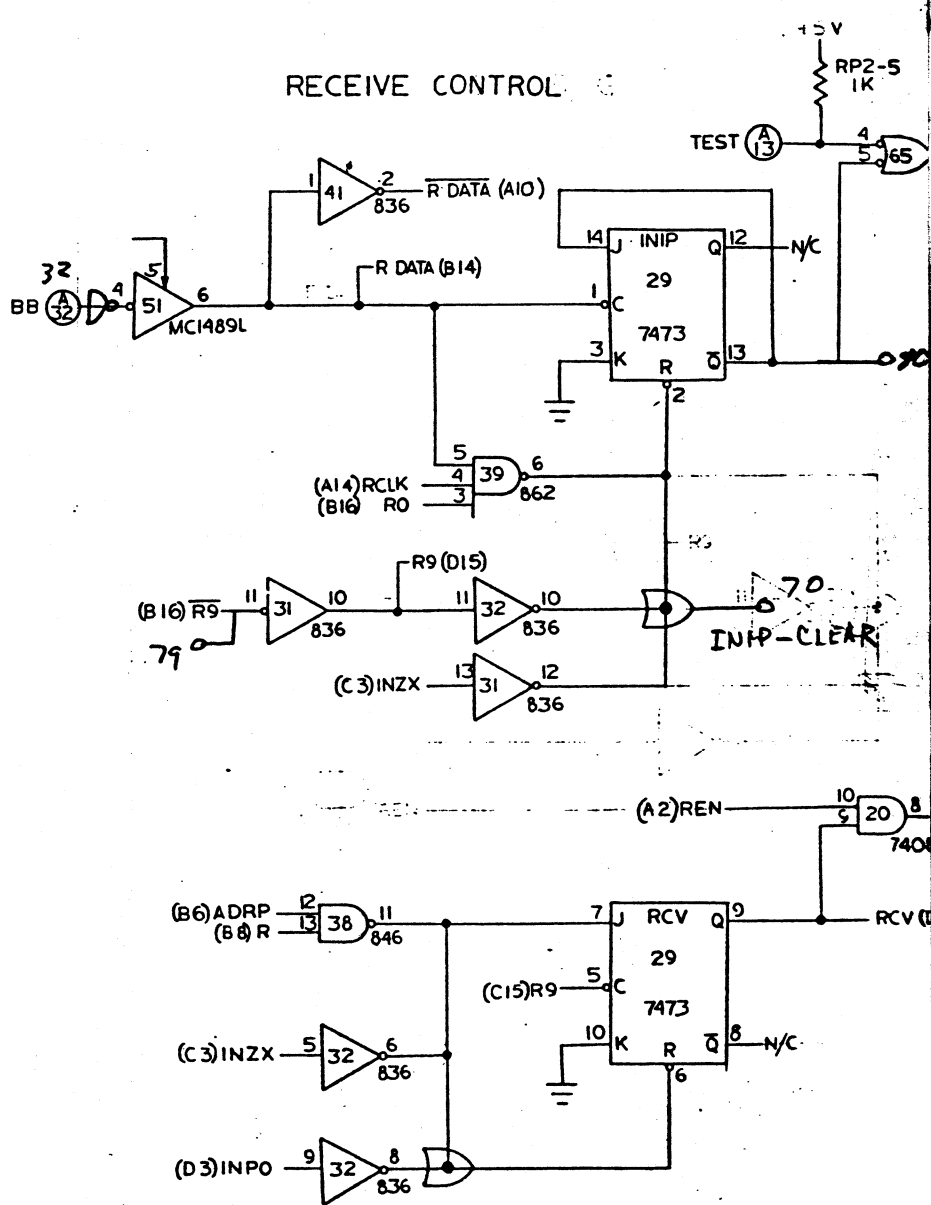
RECEIVE DATA REGISTER



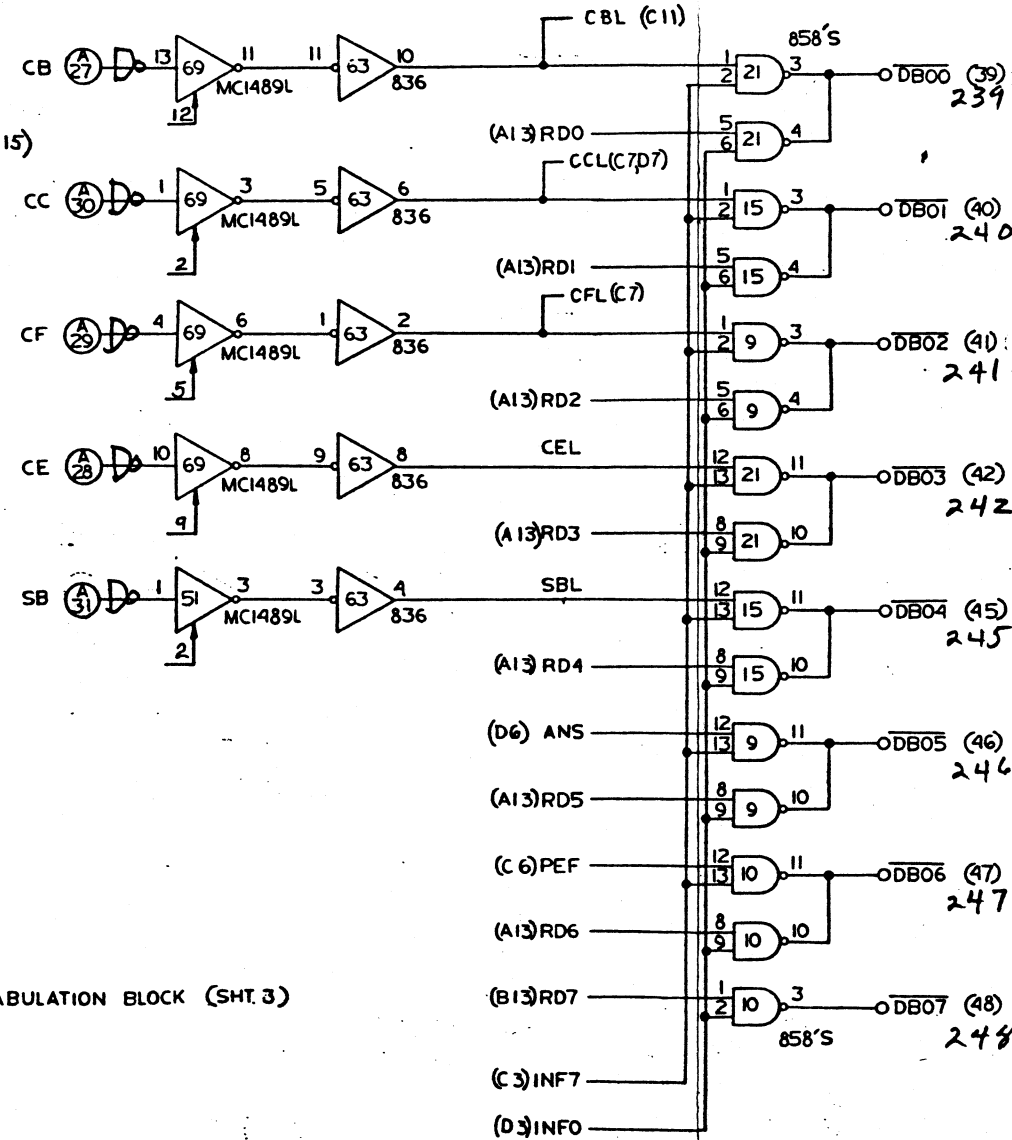
P/O RECEIVE CONTROL



RECEIVE CONTROL



DATA BUS DRIVERS



* TEST, SEE TABULATION BLOCK (SHT. 3)

SIZE D	00-52227-XX	REV A4
SCALE=	SHT. 4 OF 4	