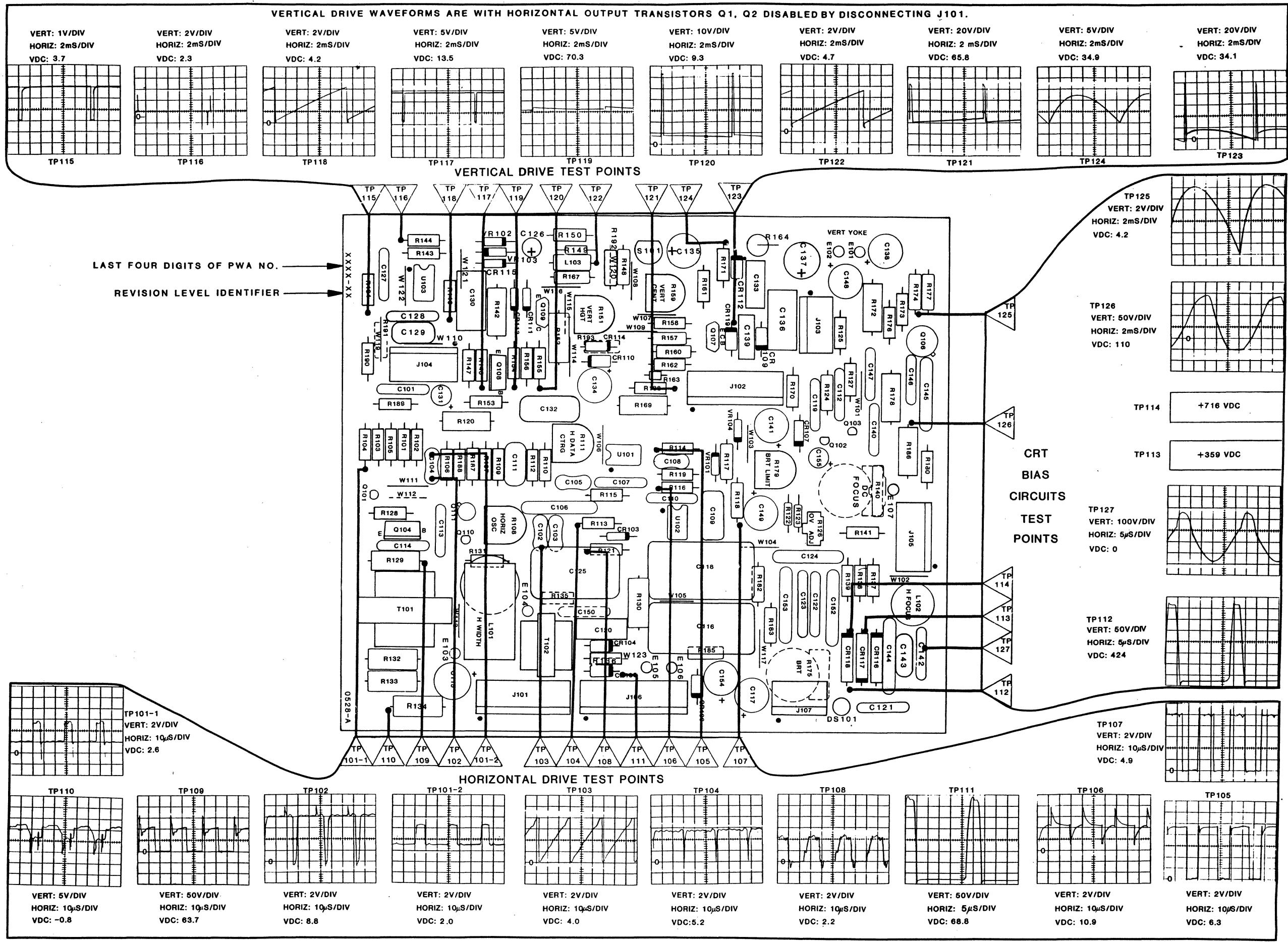
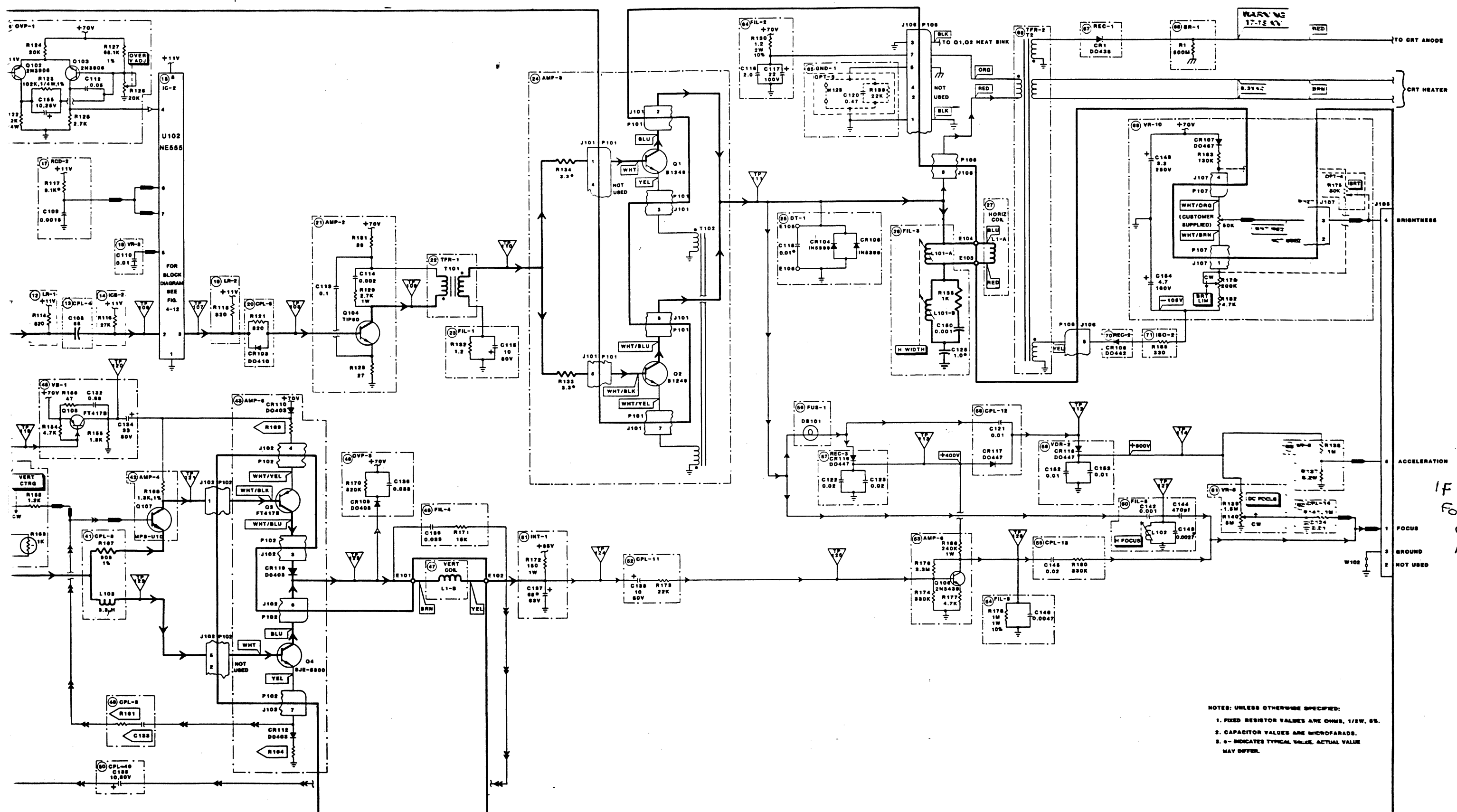


5620
Ball Monitor
1 of 6





IF UNABLE TO
FOCUS -
CK R137
REPLACE W/2
SERIES 3.9M
RESISTORS

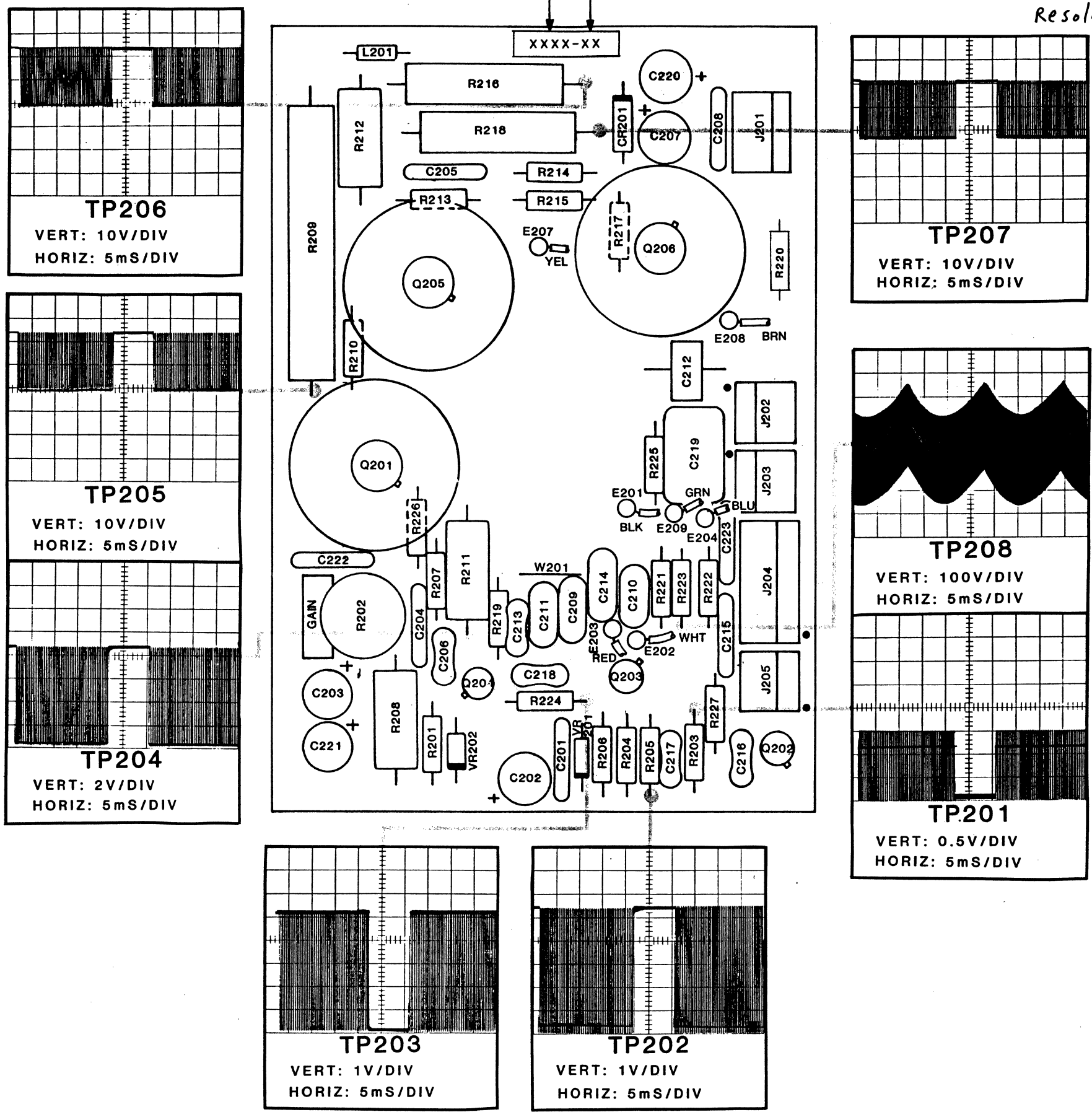
NOTES: UNLESS OTHERWISE SPECIFIED:
1. FIXED RESISTOR VALUES ARE OHMS, 1/2W, 5%.
2. CAPACITOR VALUES ARE MICROFARADS.
3. 0- INDICATES TYPICAL VALUE. ACTUAL VALUE MAY DIFFER.

HORIZONTAL & VERTICAL FUNCTIONAL BLOCKED SCHEMATIC

FIGURE 4-3

5620
Ball Monitor
3 of 6

Cold Solder or open connections
often occur on Q201, Q205, and Q206.
Resolder to fix video.

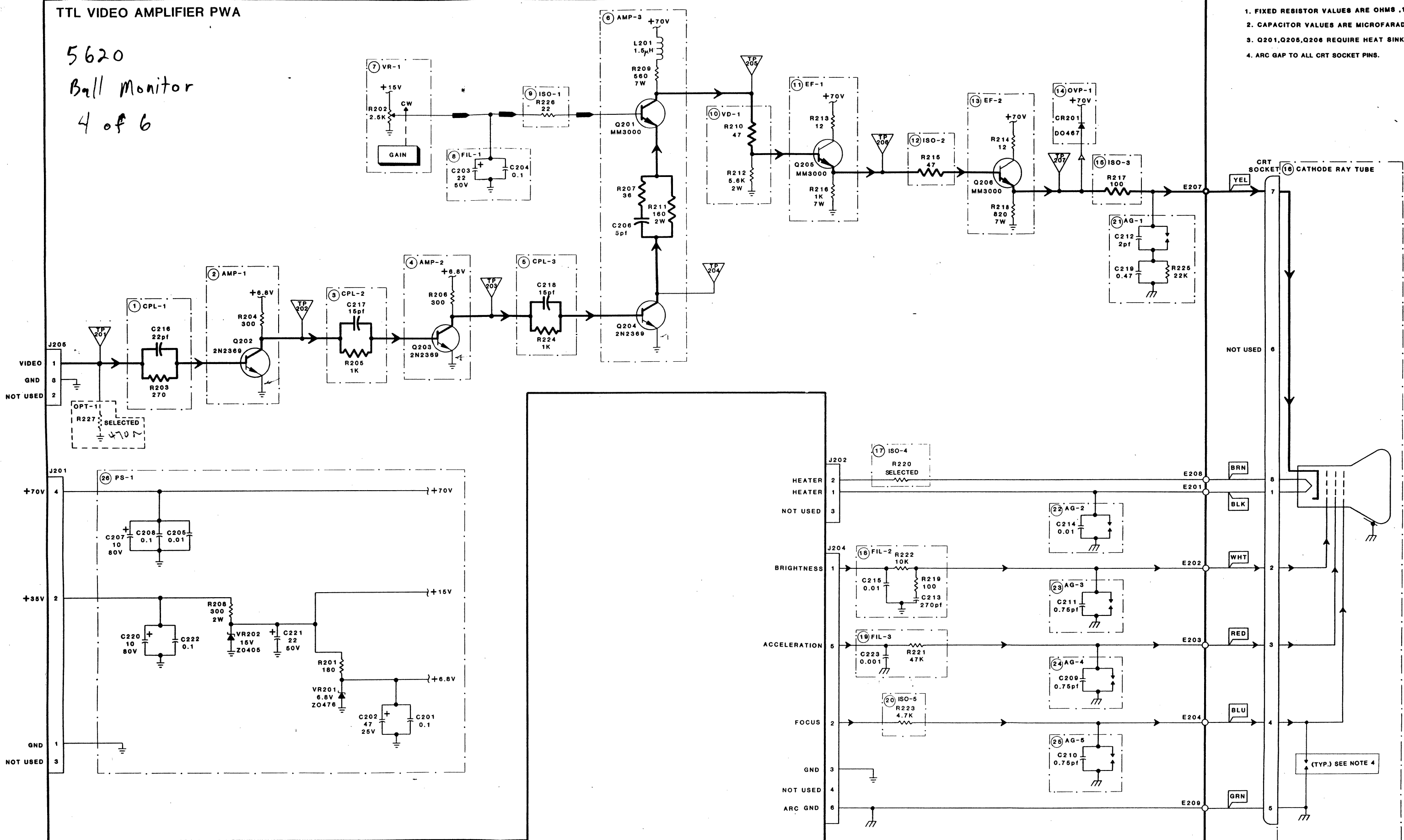


TTL VIDEO AMPLIFIER TEST POINTS LOCATION, FIGURE 4-4

TTL VIDEO AMPLIFIER PWA

5620
Ball Monitor
4 of 6

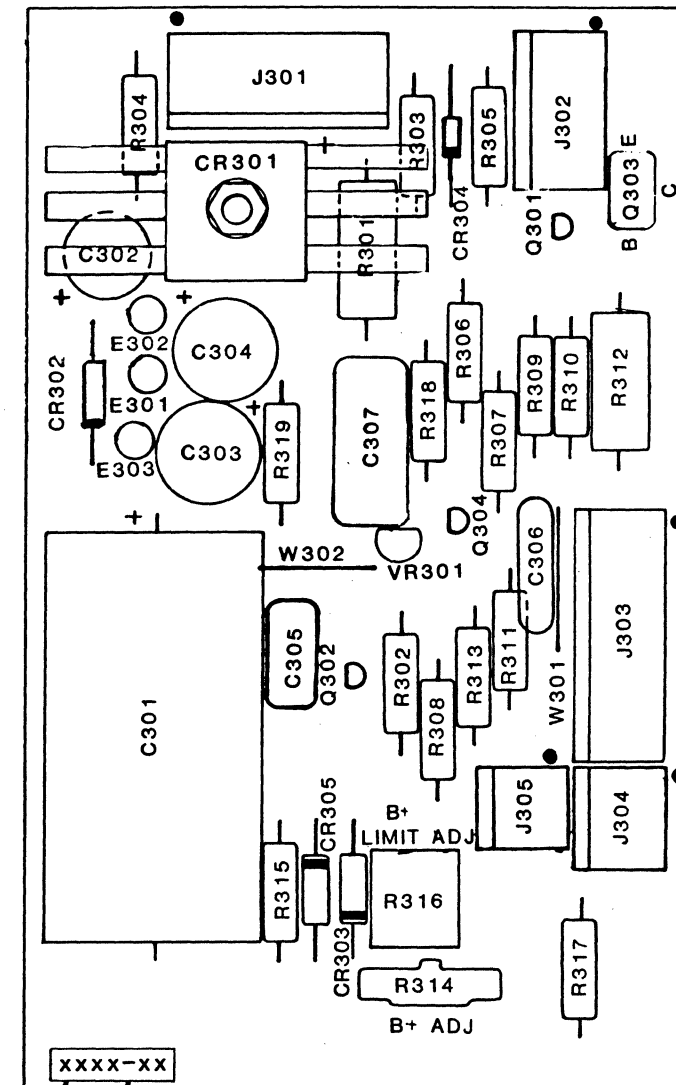
- NOTES: UNLESS OTHERWISE SPECIFIED
1. FIXED RESISTOR VALUES ARE OHMS .1/2W,5%
 2. CAPACITOR VALUES ARE MICROFARADS.
 3. Q201,Q205,Q206 REQUIRE HEAT SINKS.
 4. ARC GAP TO ALL CRT SOCKET PINS.



TTL VIDEO AMPLIFIER FUNCTIONAL BLOCKED SCHEMATIC
FIGURE 4-5

5620
Ball Monitor
5 of 6

TP302 +35V



TP301 +70V

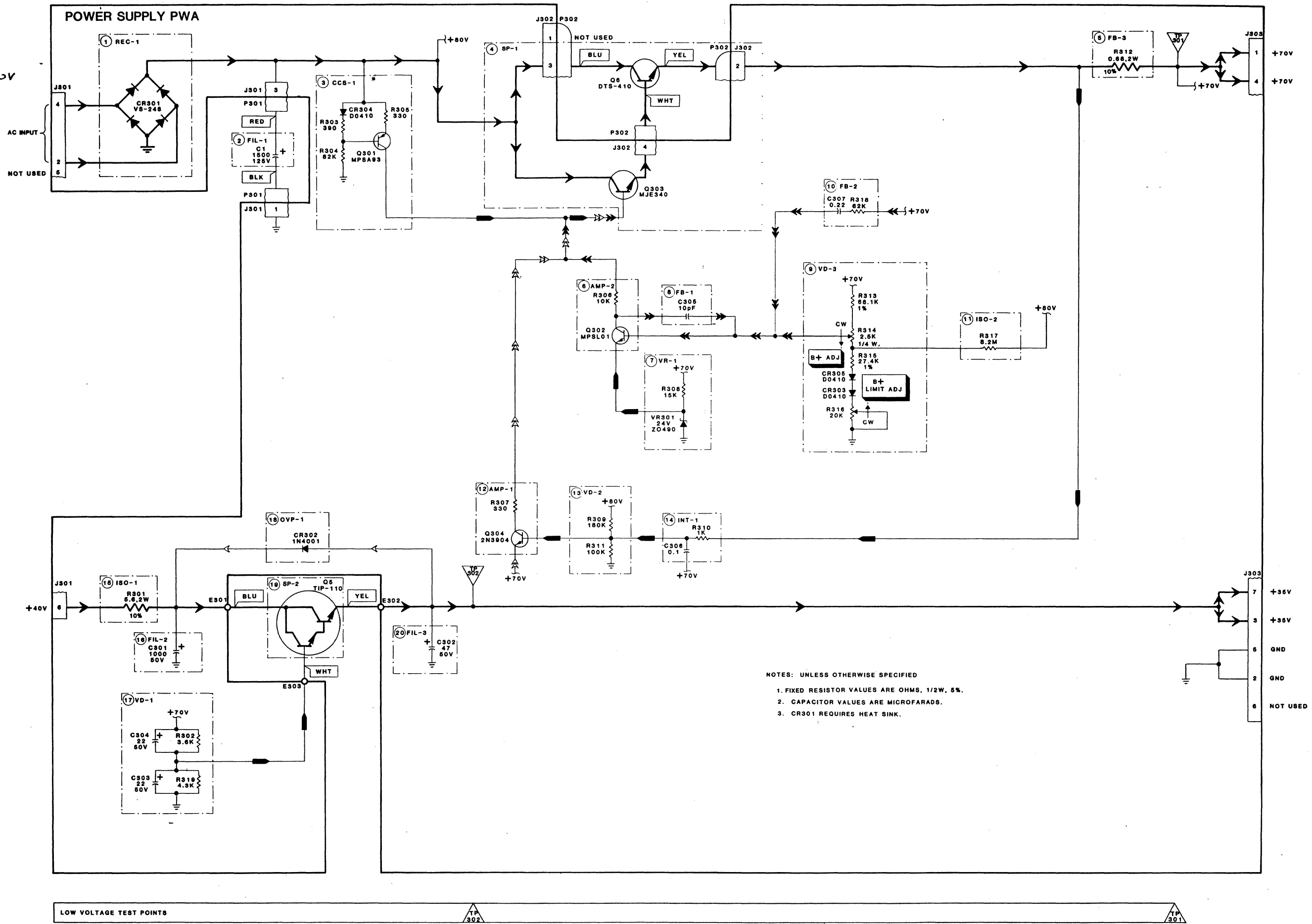
XXXX-XX

LAST FOUR DIGITS OF PWA NO.

REVISION LEVEL IDENTIFIER

POWER SUPPLY TEST POINTS LOCATION, FIGURE 4-6

5620
Ball Monitor
6 of 6



NOTES: UNLESS OTHERWISE SPECIFIED
 1. FIXED RESISTOR VALUES ARE OHMS, 1/2W, 5%.
 2. CAPACITOR VALUES ARE MICROFARADS.
 3. CR301 REQUIRES HEAT SINK.

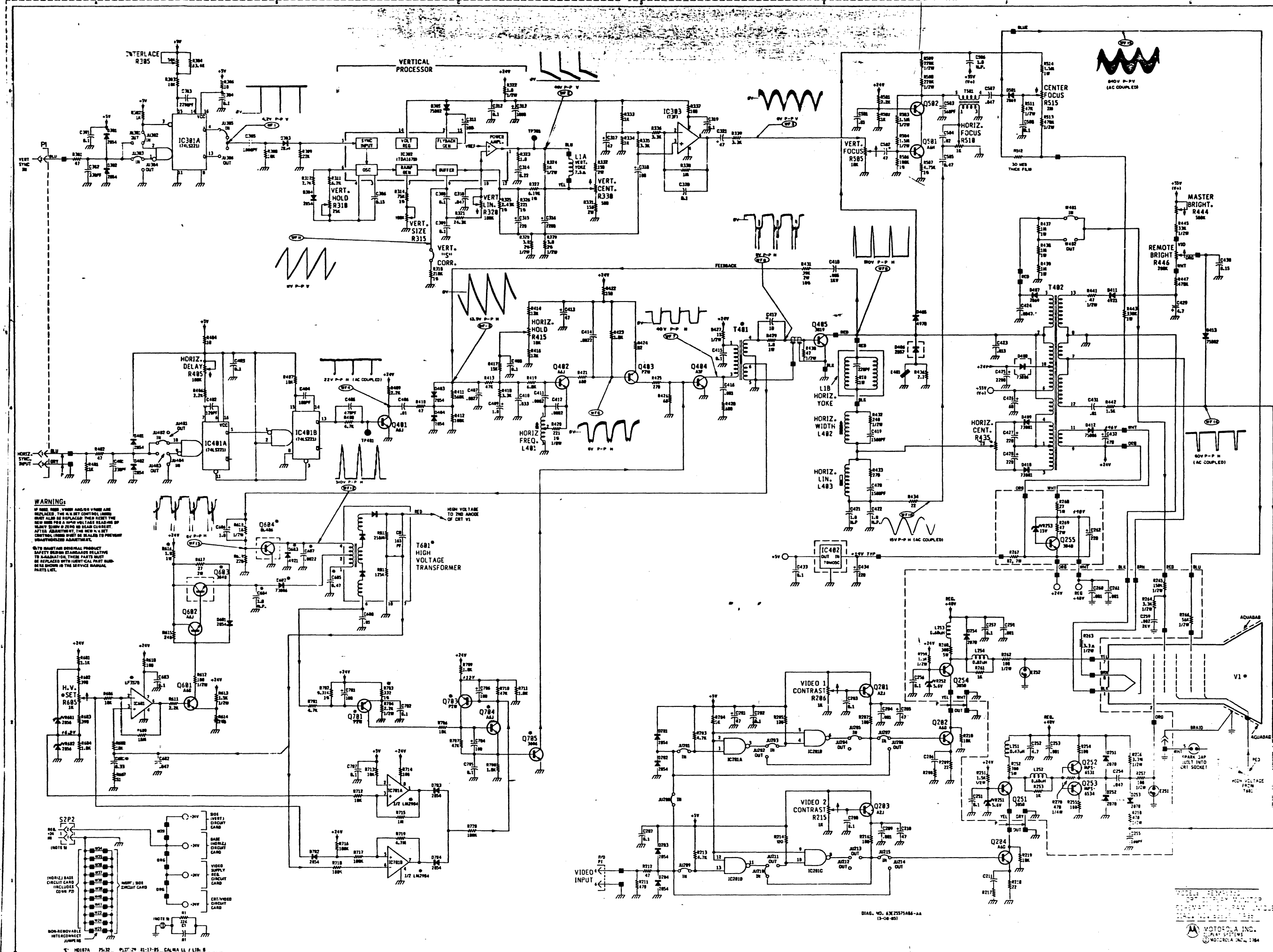
LOW VOLTAGE TEST POINTS

TP 302

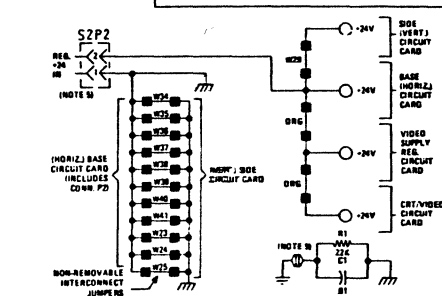
TP 301

POWER SUPPLY FUNCTIONAL BLOCKED SCHEMATIC, FIGURE 4-7

AT&T
5620
Motorola
Monitor



WARNING:
IF THESE PARTS, VIDEO AND/OR VIBER ARE REPLACED, THE H.V. SET CONTROL LINE MUST ALSO BE REPLACED. WHEN RESET THE NEW H.V. SET FOR A HIGH VOLTAGE READING OF ABOUT 20KV ON 2ND OR 3RD CHARGE. AFTER RESETTING THE NEW H.V. SET CONTROL LINE MUST BE SEALED TO PREVENT UNAUTHORIZED ADJUSTMENT.
TO MAINTAIN ORIGINAL PRODUCT SAFETY DESIGN CHARACTERISTICS RELATIVE TO PARALLELISM, THESE PARTS MUST BE REPLACED WITH IDENTICAL PART NUMBERS SHOWN IN THE SERVICE MANUAL PARTS LIST.



COMPANY: ACL

(INDENTED BILL)

ITEM NUMBER	DESCRIPTION	UM	CIRCUIT CODES
123456789	AC9252 POWER SUPPLY COMPLETE	PC	
1	084-00200000-0217 FUSE 2.5A 250V 3AG	PC F1	
1	851-00100000-0000 PCB ASSY	PC	
2	055-10368925-0111 CAP-C .01U +-20% 1KV 25U	PC C12 C13	5620 Power Supply
2	055-10382125-0111 CAP-C .01U+80-20%100V25U	PC C10	Astec AC9252
2	055-2220001-0189 CAP-C 2200P +-20% 400VAC	PC C3 C4	
2	055-47167728-0111 CAP-C 470P +-20% 3KV 25P	PC C11	
2	055-56153616-0111 CAP-C 560P +-10% 50V SL	PC C16 C17	
2	057-10120110-0192 CAP-E 100U +100-10% 25V	PC C22	
2	057-10120120-0192 CAP-E 100U +50-10% 25V	PC C31 C32	
2	057-10120160-0192 CAP-E 100U +100-10% 16V	PC C23	
2	057-10120490-0192 CAP-E 100UF +-20% 250V	PC C6 C8	
2	057-10220020-0192 CAP-F 1000U +100-10% 10V	PC C18 C19 C20 C21	
2	057-10220040-0192 CAP-E 1000U +50-10% 25V	PC C26 C27	
2	057-22120080-0192 CAP-E 220U +50-10% 10V	PC C9	
2	057-47020090-0192 CAP-E 47U +100-10% 250V	PC C5 C7	
2	058-10400290-0220 CAP-MP 0.1UF +-10% 100V	PC C33	
2	058-22300150-0220 CAP-P .022UF +-20% 100V	PC C25	
2	058-22400300-0220 CAP-MP 0.22UF +-10% 100V	PC C15 C24	
2	068-10300010-0220 CAP-MPR .01U+-20% 250VAC	PC C1 C14	
2	068-10400010-0220 CAP-MPR .1U +-20% 250VAC	PC C2	
2	075-10400010-0165 CAP-C MTY 100NF +50-20%	PC C28 C29	
2	146-00200000-0258 WAFER 12 CCT	PC SK2	
2	146-00200030-0258 WAFER 3CCT	PC SK1	
2	209-10200020-0148 TRS-NPN 25C1358	PC Q2	
2	209-11700460-0120 TRS-NPN 25D467	PC Q1 05 06	
2	210-11700350-0120 TRS-PNP 25B561	PC Q3 04	
2	211-10800100-0176 REGULATOR 431	PC Q7	
2	212-10700210-0158 DIODE-SI 1N4676	PC D5 06 07	
2	222-56086002-0148 DIODE-Z 5.6V +-5% .40MA	PC Z1	
2	226-10100040-0118 RECT RGP15B	PC D10 011 03	
2	226-10400060-0118 RECT RGP10J	PC D2	
2	226-10400070-0118 RECT RGP10B	PC D1	
2	226-10400080-0118 RECT 1N4001GP	PC D12 013 014 015	
2	226-10400100-0118 RECT RGP10M	PC D4	
2	226-30500010-0118 BRIDGE RECT K8P10	PC D81	
2	240-10006022-0152 RES-CF 10K +-5% 1/4W	PC R11 R16 R17	
2	240-10206022-0152 RES-CF 1K +-5% 1/4W	PC R25	
2	240-10306022-0152 RES-CF 10K +-5% 1/4W	PC R26	
2	240-10406022-0152 RES-CF 100K +-5% 1/4W	PC R31 R32	
2	240-12006022-0152 RES-CF 12K +-5% 1/4W	PC R27	
2	240-12206022-0152 RES-CF 1.2K +-5% 1/4W	PC R35	
2	240-12306022-0152 RES-CF 12K +-5% 1/4W	PC R23	
2	240-18306022-0152 RES-CF 18K +-5% 1/4W	PC R29	
2	240-27106033-0152 RES-CF 270K +-5% 1/2W	PC R15	
2	240-33106022-0152 RES-CF 330K +-5% 1/4W	PC R19	
2	240-33106033-0152 RES-CF 330K +-5% 1/2W	PC R18	
2	240-39006022-0152 RES-CF 39K +-5% 1/4W	PC R14	
2	240-47006022-0152 RES-CF 47K +-5% 1/4W	PC R7	
2	240-47106022-0152 RES-CF 470K +-5% 1/4W	PC R24	
2	240-47206022-0152 RES-CF 4.7K +-5% 1/4W	PC R30	

COMPANY: ACL

(INDENTED BILL)

ITEM NUMBER	DESCRIPTION	UM	CIRCUIT CODES
123456789			
2	240-47306022-0152 RES-CF 47K +-5% 1/4W	PC R34	
2	240-56006022-0152 RES-CF 56K +-5% 1/4W	PC R21 R22	
2	240-56206022-0152 RES-CF 5.6K +-5% 1/4W	PC R33	
2	240-56306022-0152 RES-CF 56K +-5% 1/4W	PC R37	
2	240-56906022-0152 RES-CF 5.6K +-5% 1/4W	PC R12 R6 R9	
2	240-82106022-0152 RES-CF 820R +-5% 1/4W	PC R5	
2	240-82906022-0152 RES-CF 8.2K +-5% 1/4W	PC R20	
2	245-22206022-0152 RES-SMF 2.2K +-5% 1/4W	PC R28	
2	247-04786054-0189 RES-MF .47K +-5% 1W	PC R13	
2	247-10086054-0189 RES-MF 1R +-5% 1W	PC R10	
2	247-27014022-0189 RES-MF 2.7K +-1% 1/4W	PC R36 R38	
2	248-10406052-0189 RES-MOF 100K +-5% 1W	PC R2 R3	
2	248-12106052-0189 RES-MOF 120R +-5% 1W	PC R8	
2	248-33006063-0189 RES-MOF 33K +-5% 2W	PC R4	
2	256-30100070-0557 VDR 300VAC V2A300	PC VDR1	
2	258-40970015-0152 THMTR 4K +-20%	PC R1	
2	328-00100010-0124 CHUKE 1.5MH	PC L4	
2	328-00100030-0124 BASE CHOKE 2.2UH	PC L3	
2	852-10100370-0353 FILTER CHOKE COIL ASSY	PC L6	
2	852-10201200-0000 PWR TRF ASSY	PC T3	
2	852-10202700-1075 CUNTRDL TRF ASSY (J/V)	PC T2	
2	852-20100010-0353 CHOKE COIL ASSY	PC L5	
2	852-20101000-1343 TOROID ASSY	PC L1 L2	
2	852-20200120-0522 CUM MODE TRF ASSY	PC T1	
2	853-00201250-0000 RECT/HTSK ASSY	PC	
3	211-10300200-0120 REGU HA178M12P	PC IC1	
3	211-10300200-0120 REGU HA178M05P	PC IC2	
3	226-11300360-0164 RECT-SCK S10SC3M	PC D8 09	
3	227-13000010-0196 SCR C122U	PC SCR1	

END OF REPORT

11/11/80

01/11/80