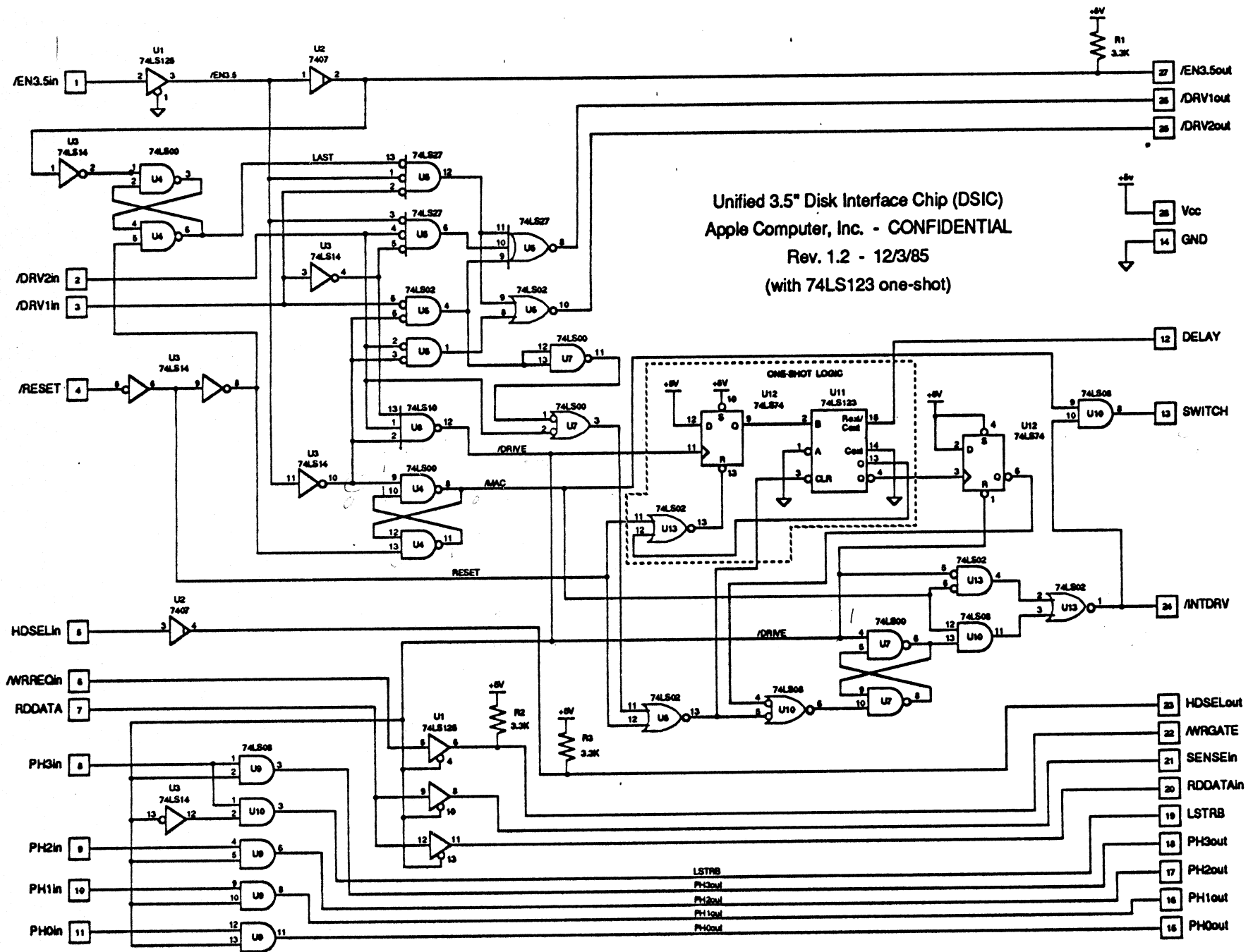


Unified 3.5" Disk Interface Chip (DSIC)  
 Apple Computer, Inc. - CONFIDENTIAL  
 Rev. 1.2 - 12/3/85





8/20/85.  
M.D.  
REVISED 11/12/85

PIN ASSIGNMENT ON APPLE FLOPPY DISK DRIVE

DB-19	5 1/4" DRIVE			3.5" DRIVE				PROPOSED UNIVERSAL 3.5	IC PORT	FLAT 20 PINS
	EXT IC	UNIDISK	NO DISK	SINGLE SIDE MAC	DOUBLE SIDE MAC	LIRON	CONNECTED ON P.C. BOARD			
1	GND	GND	GND	GND	GND	GND	GND	GND	GND	1V
2	GND	GND	GND	GND	GND	GND	GND	GND	GND	3V
3	GND	GND	GND	GND	GND	GND	GND	GND	GND	5V
4	GND	GND	GND	GND	GND	GND	GND	EN3.5	EN3.5	7V
5	-12V	-12V	-12V	NO WIRE	NO WIRE	-12V	-12V	-12V	-12V	9V
6	+5V	+5V	+5V	+5V	+5V	+5V	+5V	+5V	+5V	11V
7	+12V	+12V	+12V	+12V	+12V	+12V	+12V	+12V	+12V	13V
8	+12V	+12V	+12V	+12V	+12V	+12V	+12V	+12V	+12V	15V
9	NO WIRE	ENBL2	ENBL2	NO WIRE	NO WIRE	NO WIRE	ENBL2	ENBL2	ENBL2	17V
10	(20) WRPROT	(20) WRPROT	WRPROT	(20) PWM	(20) INTRIVE	(20) WRPROT	(20) SENSE	WRPROT	WRPROT	19
11 PH0	PHA	PHA	PHA	CA0	CA0	PHA	PHA	PHA	PHA	2V
12 PH1	PHB	PHB	PHB	CA1	CA1	PHB	PHB	PHB	PHB	4V
13 PH2	PHC	PHC	PHC	CA2	CA2	PHC	PHC	PHC	PHC	6V
14 PH3	PHD	PHD	PHD	LSTRB	LSTRB	PHD	PHD	PHD	PHD	8V
15	WRREQ	WRREQ	WRREQ	WRREQ	WRREQ	WRREQ	WRREQ	WRREQ	WRREQ	10V
16	NO WIRE	NO WIRE	+5V	HD SEL	HD SEL	HD SEL	HD SEL	HD SEL	HD SEL	12V
17	ENBL	ENBL1	ENBL1	ENBL	ENBL	ENBL	ENBL1	ENBL1	ENBL1	14V
18	RDDATA	RDDATA	RDDATA	RDDATA	RDDATA	RDDATA	RDDATA	RDDATA	RDDATA	16V
19	WRDATA	WRDATA	WRDATA	WRDATA	WRDATA	WRDATA	WRDATA	WRDATA	WRDATA	18V
(19) ACT LED	(19) NO WIRE	(19) NO WIRE	(19) NO WIRE	(19) NO WIRE	(19) NO WIRE	(19) NO WIRE	(19) NO WIRE	(19) NO WIRE	(19) NO WIRE	20

CONNECTION FOR FLAT 20 PIN (SPECIAL MAPPING)

GND ON INPUT PORT  
+5V ON OUTPUT PORT.

REGULAR MAPPING