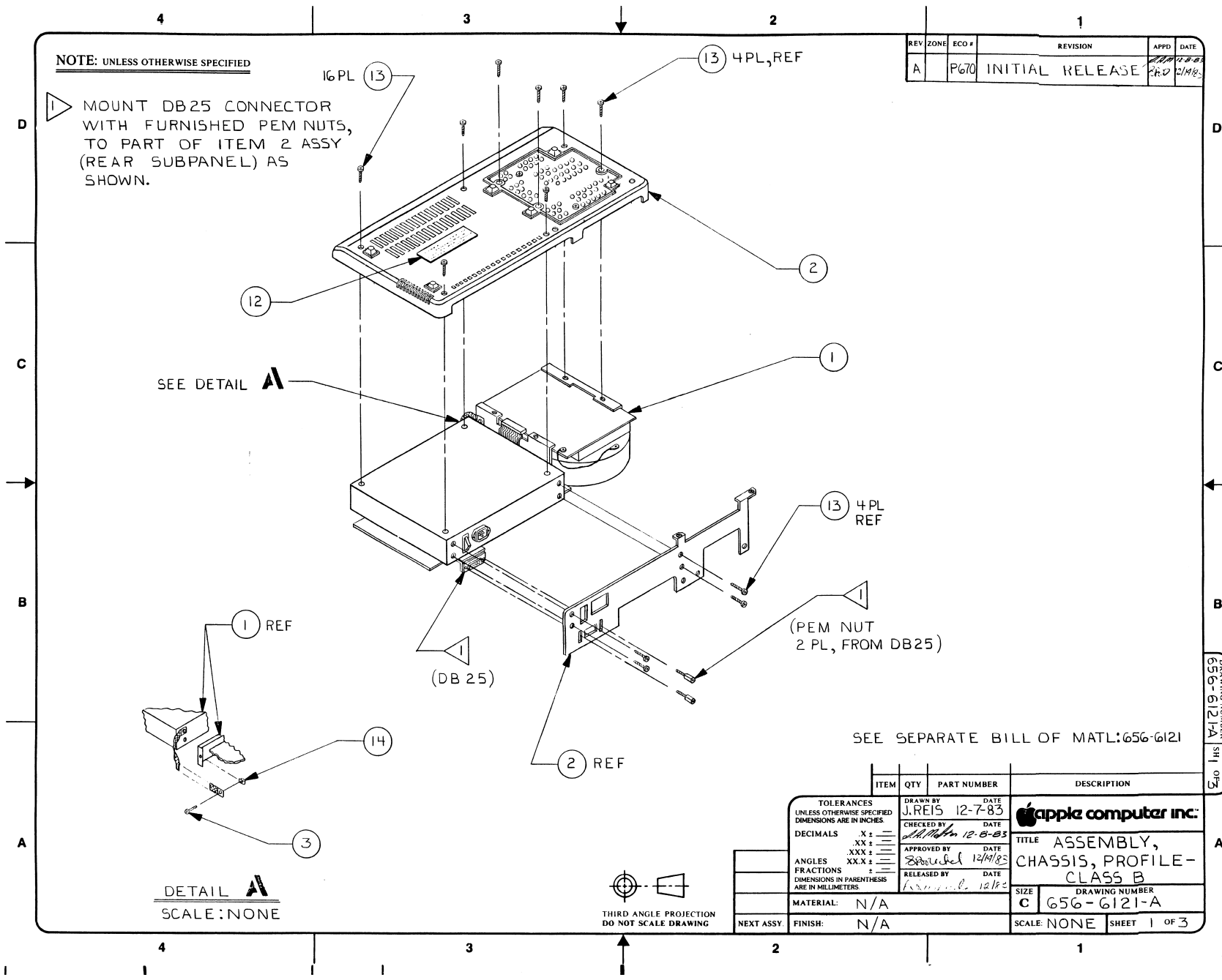
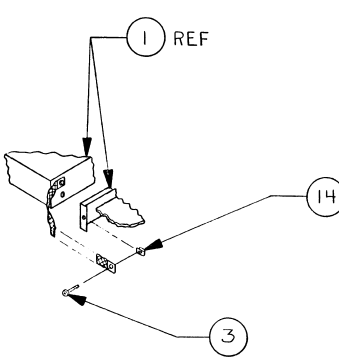


NOTE: UNLESS OTHERWISE SPECIFIED

1 MOUNT DB25 CONNECTOR WITH FURNISHED PEM NUTS, TO PART OF ITEM 2 ASSY (REAR SUBPANEL) AS SHOWN.



REV	ZONE	ECO #	REVISION	APPD	DATE
A		P670	INITIAL RELEASE	J.R.D.	12/14/83



DETAIL A
SCALE: NONE

THIRD ANGLE PROJECTION
DO NOT SCALE DRAWING

SEE SEPARATE BILL OF MATL: 656-6121

ITEM	QTY	PART NUMBER	DESCRIPTION																																				
<table border="0"> <tr> <td>TOLERANCES UNLESS OTHERWISE SPECIFIED DIMENSIONS ARE IN INCHES</td> <td>DRAWN BY J.REIS</td> <td>DATE 12-7-83</td> <td rowspan="5"> </td> </tr> <tr> <td>DECIMALS .X ± =</td> <td>CHECKED BY</td> <td>DATE 12-8-83</td> </tr> <tr> <td>.XX ± =</td> <td>APPROVED BY</td> <td>DATE</td> </tr> <tr> <td>.XXX ± =</td> <td>RELEASED BY</td> <td>DATE 12/14/83</td> </tr> <tr> <td>ANGLES XX.X ± =</td> <td></td> <td></td> </tr> <tr> <td>FRACTIONS DIMENSIONS IN PARENTHESES ARE IN MILLIMETERS</td> <td></td> <td></td> <td></td> </tr> <tr> <td>MATERIAL:</td> <td>N/A</td> <td></td> <td> <table border="1"> <tr> <td>SIZE</td> <td>C</td> <td>DRAWING NUMBER</td> <td>656-6121-A</td> </tr> <tr> <td>SCALE</td> <td>NONE</td> <td>SHEET</td> <td>1 OF 3</td> </tr> </table> </td> </tr> <tr> <td>NEXT ASSY:</td> <td>FINISH:</td> <td>N/A</td> <td></td> </tr> </table>				TOLERANCES UNLESS OTHERWISE SPECIFIED DIMENSIONS ARE IN INCHES	DRAWN BY J.REIS	DATE 12-7-83		DECIMALS .X ± =	CHECKED BY	DATE 12-8-83	.XX ± =	APPROVED BY	DATE	.XXX ± =	RELEASED BY	DATE 12/14/83	ANGLES XX.X ± =			FRACTIONS DIMENSIONS IN PARENTHESES ARE IN MILLIMETERS				MATERIAL:	N/A		<table border="1"> <tr> <td>SIZE</td> <td>C</td> <td>DRAWING NUMBER</td> <td>656-6121-A</td> </tr> <tr> <td>SCALE</td> <td>NONE</td> <td>SHEET</td> <td>1 OF 3</td> </tr> </table>	SIZE	C	DRAWING NUMBER	656-6121-A	SCALE	NONE	SHEET	1 OF 3	NEXT ASSY:	FINISH:	N/A	
TOLERANCES UNLESS OTHERWISE SPECIFIED DIMENSIONS ARE IN INCHES	DRAWN BY J.REIS	DATE 12-7-83																																					
DECIMALS .X ± =	CHECKED BY	DATE 12-8-83																																					
.XX ± =	APPROVED BY	DATE																																					
.XXX ± =	RELEASED BY	DATE 12/14/83																																					
ANGLES XX.X ± =																																							
FRACTIONS DIMENSIONS IN PARENTHESES ARE IN MILLIMETERS																																							
MATERIAL:	N/A		<table border="1"> <tr> <td>SIZE</td> <td>C</td> <td>DRAWING NUMBER</td> <td>656-6121-A</td> </tr> <tr> <td>SCALE</td> <td>NONE</td> <td>SHEET</td> <td>1 OF 3</td> </tr> </table>	SIZE	C	DRAWING NUMBER	656-6121-A	SCALE	NONE	SHEET	1 OF 3																												
SIZE	C	DRAWING NUMBER	656-6121-A																																				
SCALE	NONE	SHEET	1 OF 3																																				
NEXT ASSY:	FINISH:	N/A																																					

DRAWING NUMBER 656-6121-A SHEET 1 OF 3