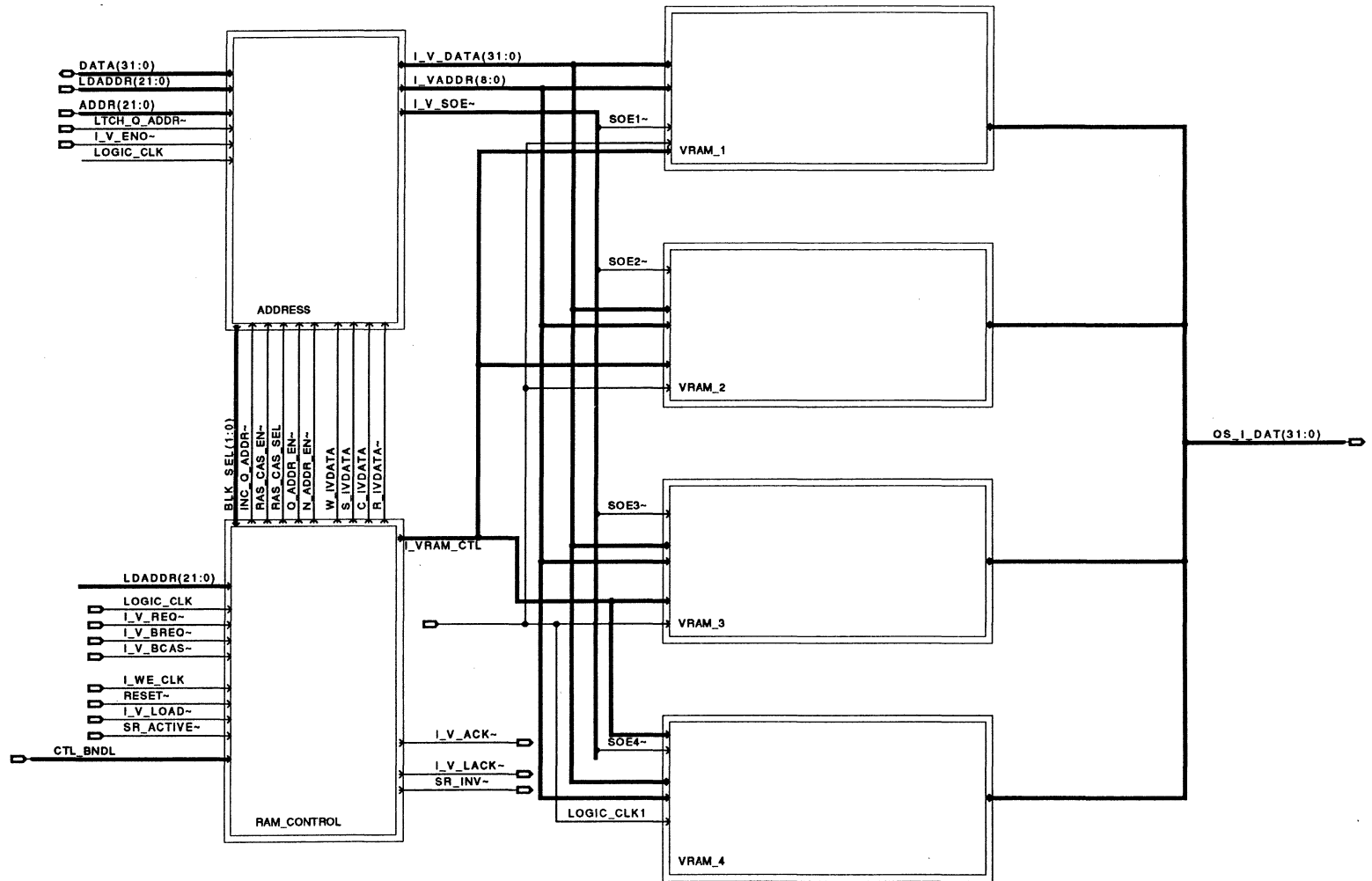
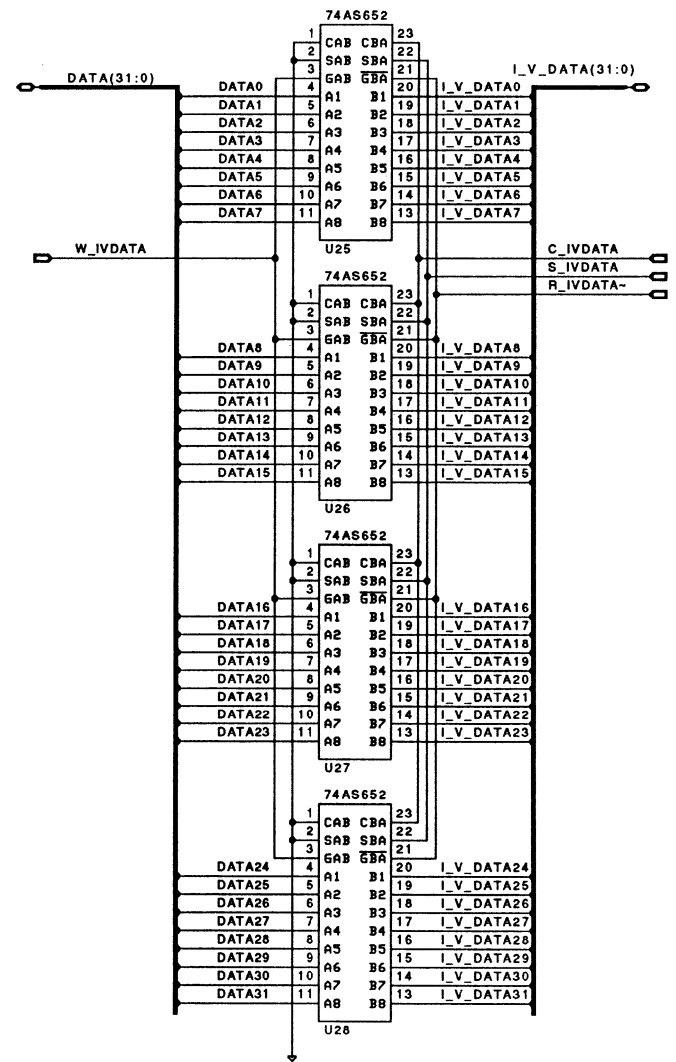
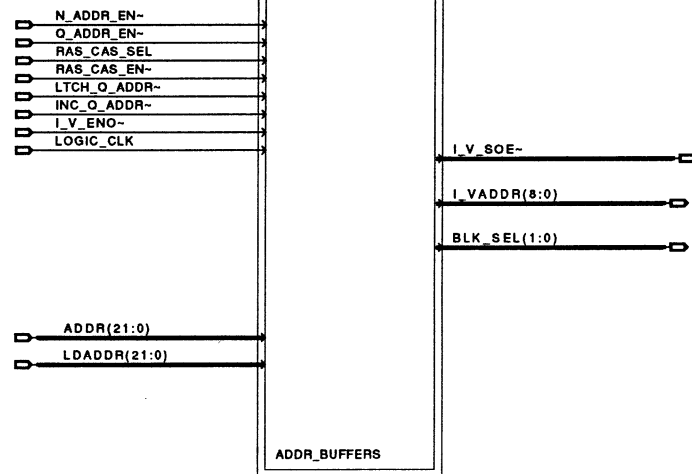


DRAWING NUMBER: XXX-XXXX-X	APPLE COMPUTER, INC.
REV: 1.0 DATE: 8-June-1988	
ENGINEER: Steve Roskowski	Ground Zero
DRAWN BY: Steve Roskowski	THE-BLOCK-TITLE
GROUP: System Extension	THE-PAGE-TITLE
SHEET: 1 OF: 46 SIZE: D	
PATH: @GND_ZERO (1/1)	

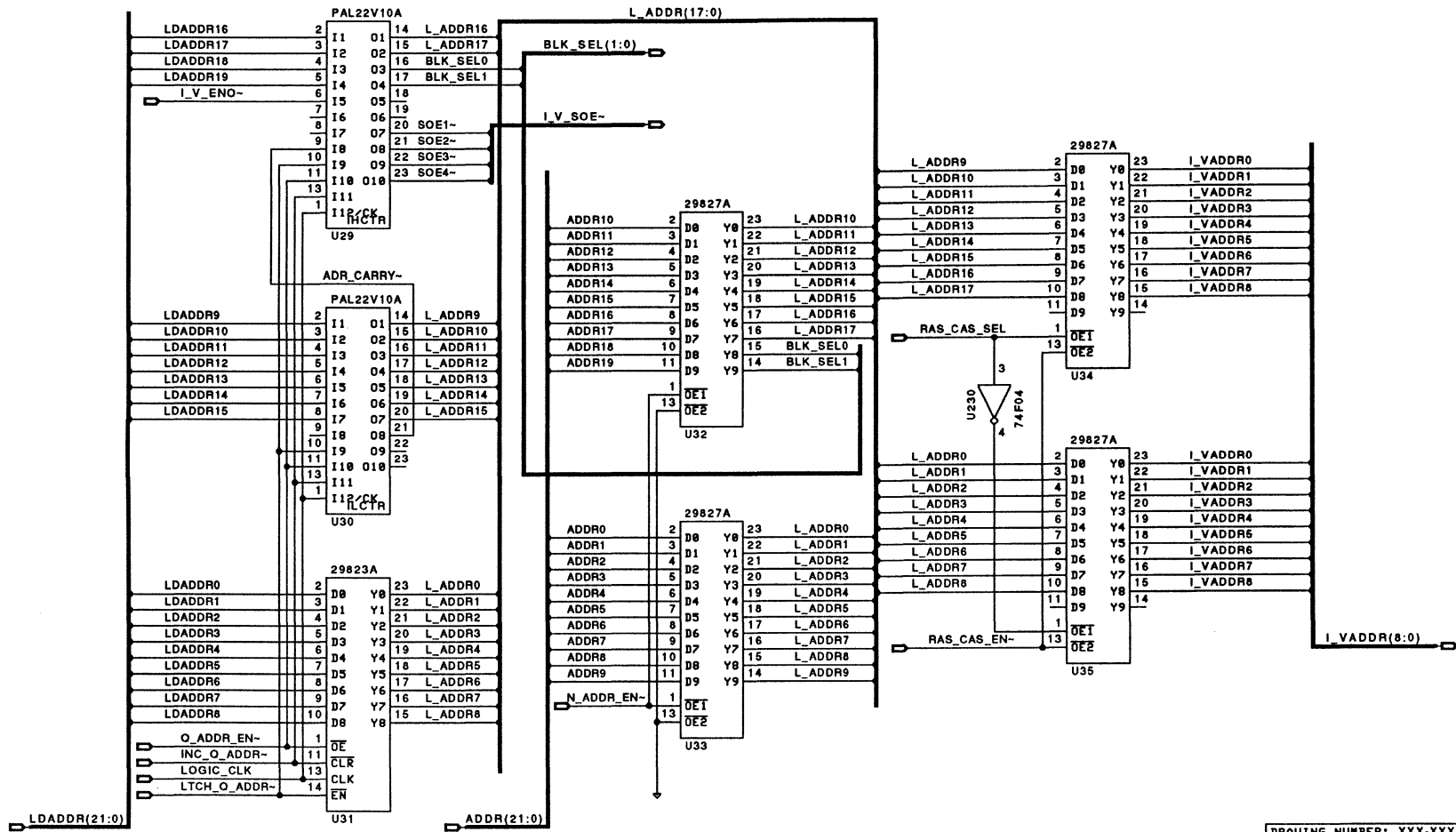


DRAWING NUMBER: XXX-XXXX-X	APPLE COMPUTER, INC.
REV: 1.0 DATE: 8-June-1988	
ENGINEER: Steve Roskowski	
DRAWN BY: Steve Roskowski	Ground Zero
GROUP: System Extension	THE-BLOCK-TITLE
SHEET: 2 OF: 46 SIZE: D	THE-PAGE-TITLE
PATH: @GND_ZERO/INPUT (1/1)	

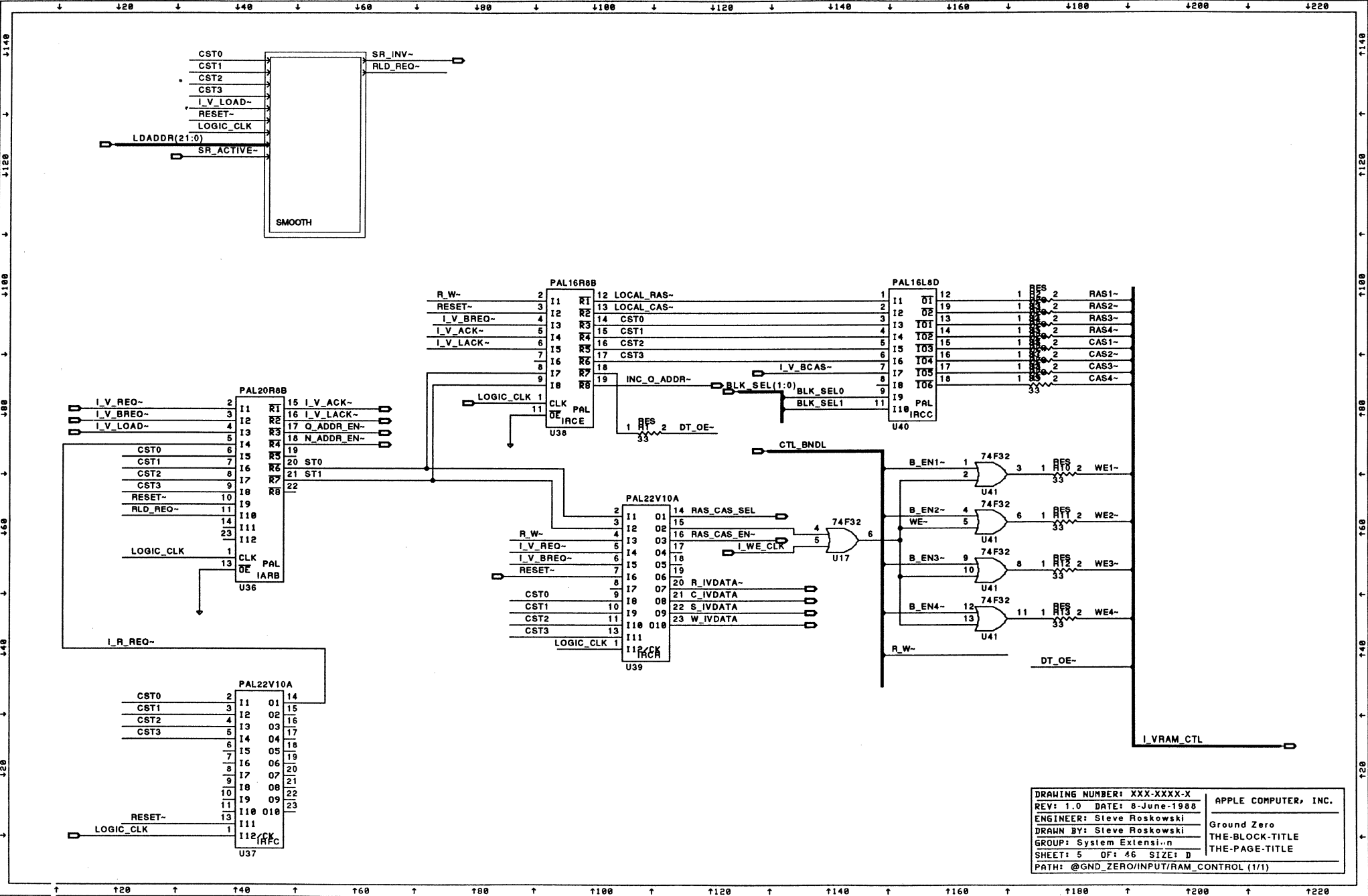


DRAWING NUMBER: XXX-XXXX-X
 REV: 1.0 DATE: 8-June-1988
 ENGINEER: Steve Roskowski
 DRAWN BY: Steve Roskowski
 GROUP: System Extension
 SHEET: 3 OF: 46 SIZE: D
 PATH: @GND_ZERO/INPUT/ADDRESS (1/1)

APPLE COMPUTER, INC.
 Ground Zero
 THE-BLOCK-TITLE
 THE-PAGE-TITLE

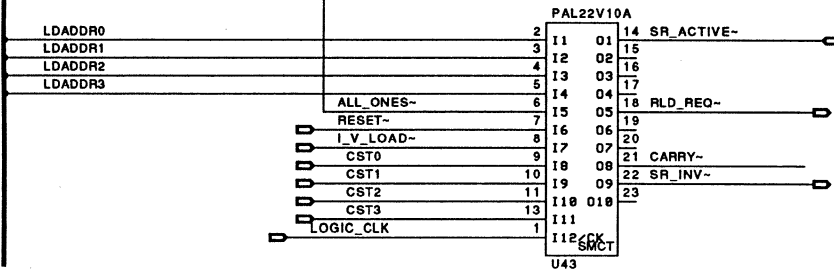
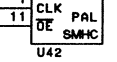
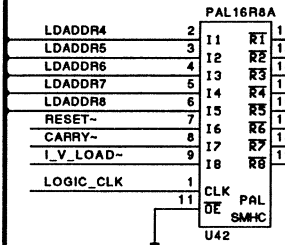


DRAWING NUMBER: XXX-XXXX-X	APPLE COMPUTER, INC.
REV: 1.0 DATE: 8-June-1988	Ground Zero
ENGINEER: Steve Roskowski	THE-BLOCK-TITLE
DRAWN BY: Steve Roskowski	THE-PAGE-TITLE
GROUP: System Extension	SIZE: D
SHEET: 4 OF: 46	PATH: @GND_ZERO/INPUT/ADDRESS/ADDR_BUFFERS (1/1)

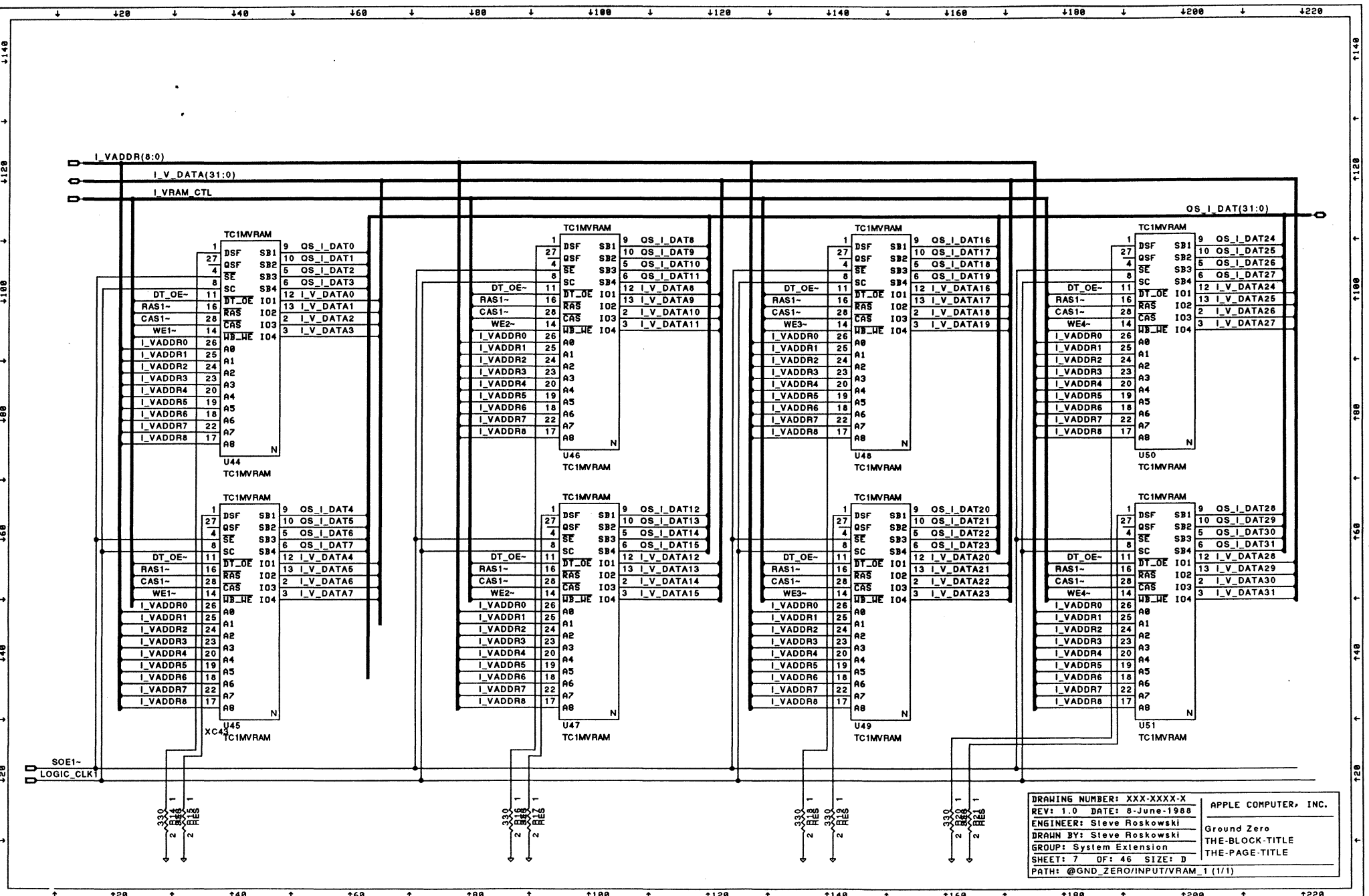


DRAWING NUMBER: XXX-XXX-X	APPLE COMPUTER, INC.
REV: 1.0 DATE: 8-June-1988	
ENGINEER: Steve Roskowski	Ground Zero
DRAWN BY: Steve Roskowski	THE-BLOCK-TITLE
GROUP: System Extension	THE-PAGE-TITLE
SHEET: 5 OF: 46 SIZE: D	
PATH: @GND_ZERO/INPUT/RAM_CONTROL (1/1)	

LDADDR(21:0)

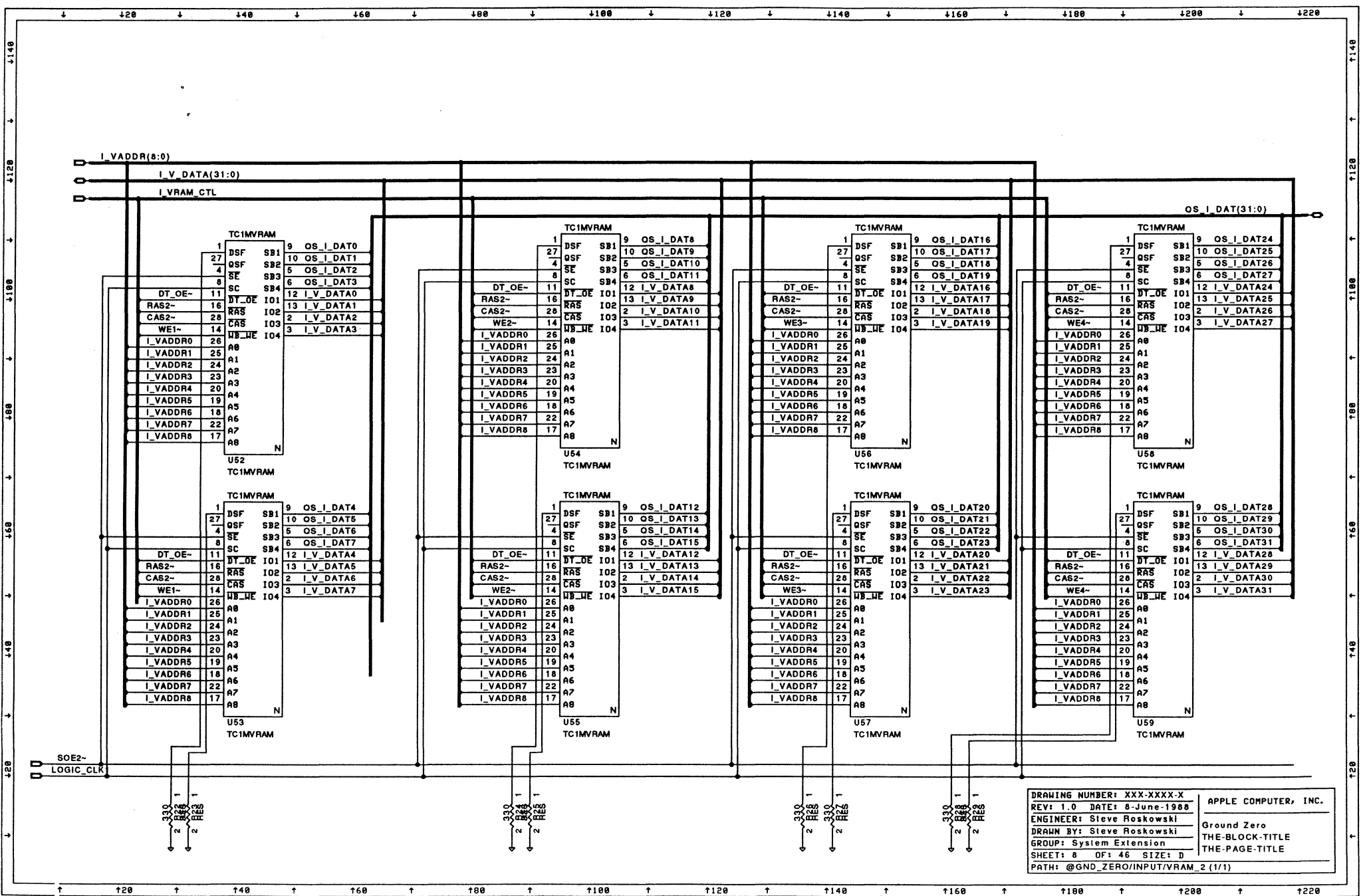


DRAWING NUMBER: XXX-XXXX-X	APPLE COMPUTER, INC.
REV: 1.0 DATE: 8-June-1988	
ENGINEER: Steve Roskowski	Ground Zero
DRAWN BY: Steve Roskowski	THE-BLOCK-TITLE
GROUP: System Extension	THE-PAGE-TITLE
SHEET: 6 OF: 46 SIZE: D	
PATH: @GND_ZERO/INPUT/RAM_CONTROL/SMOOTH (1/1)	



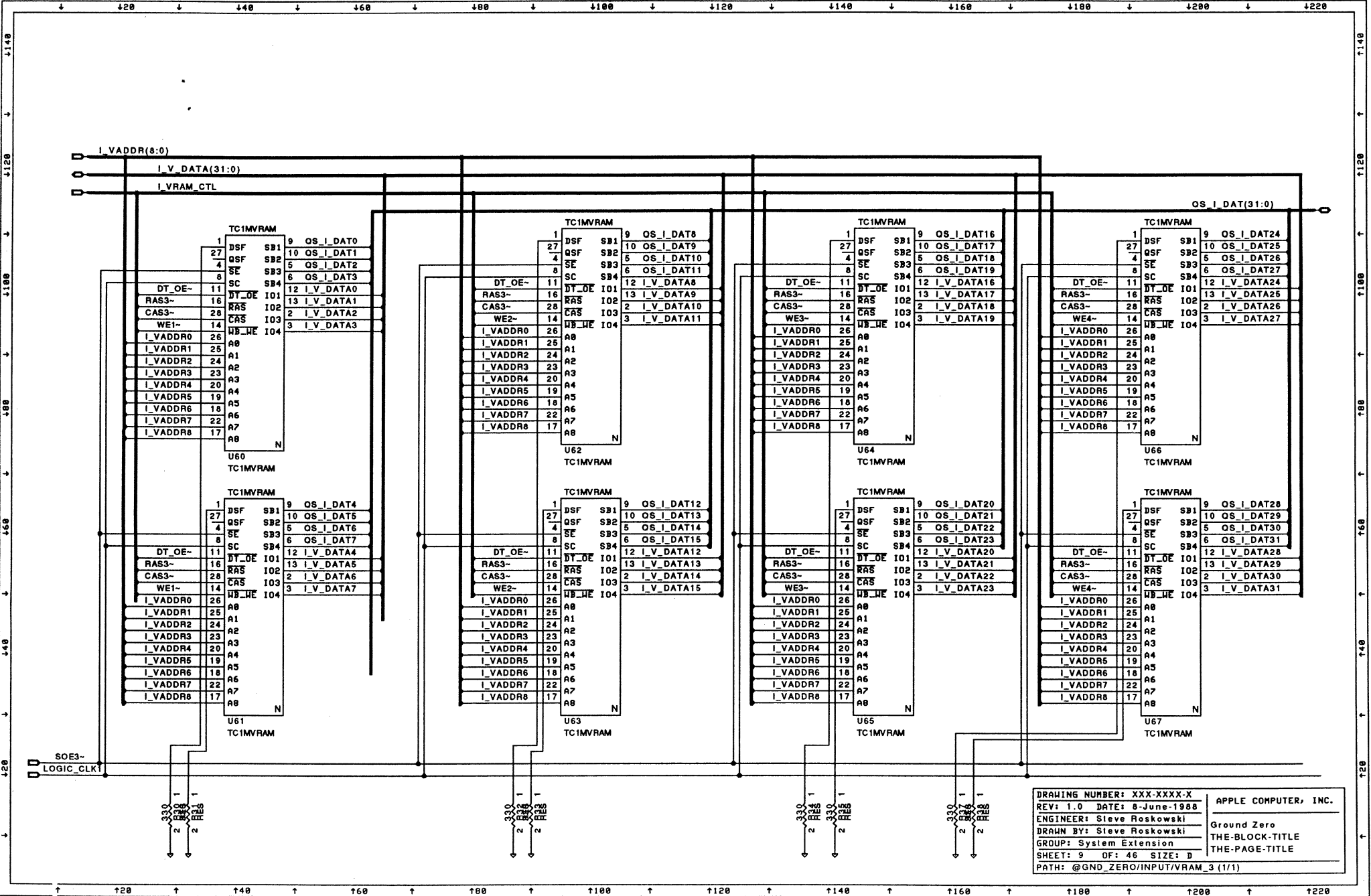
DRAWING NUMBER: XXX-XXXX-X
 REV: 1.0 DATE: 8-June-1988
 ENGINEER: Steve Roskowski
 DRAWN BY: Steve Roskowski
 GROUP: System Extension
 SHEET: 7 OF: 46 SIZE: D
 PATH: @GND_ZERO/INPUT/VRAM/I_1(1/1)

APPLE COMPUTER, INC.
 Ground Zero
 THE-BLOCK-TITLE
 THE-PAGE-TITLE



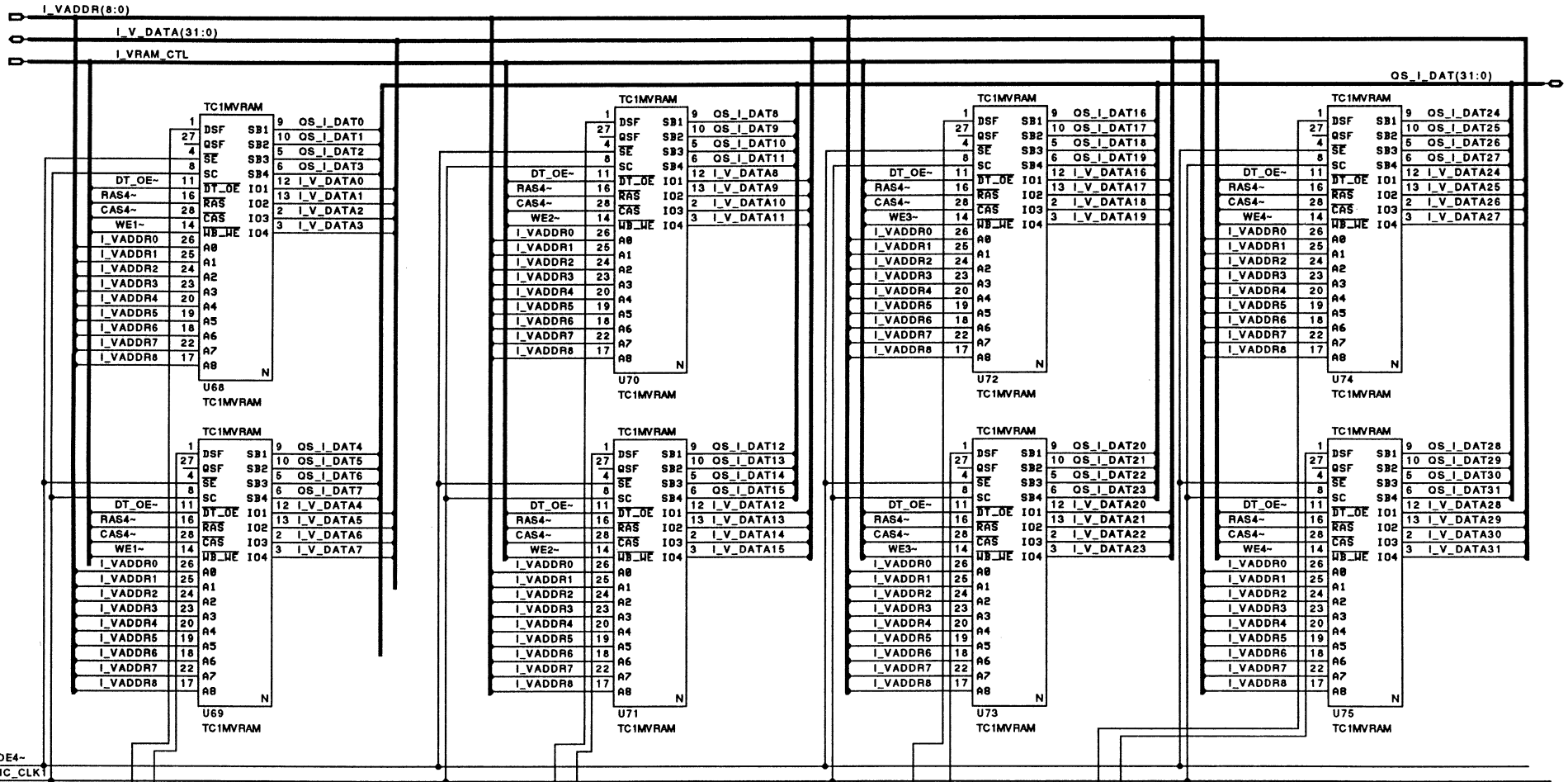
DRAWING NUMBER: XXX-XXXX-X
 REV: 1.0 DATE: 8-June-1988
 ENGINEER: Steve Roskowski
 DRAWN BY: Steve Roskowski
 GROUP: System Extension
 SHEET: 8 OF: 46 SIZE: D
 PATH: @GND_ZERO/INPUT/VRAM_2 (1/1)

APPLE COMPUTER, INC.
 Ground Zero
 THE-BLOCK-TITLE
 THE-PAGE-TITLE



DRAWING NUMBER: XXX-XXX-X
 REV: 1.0 DATE: 8-June-1988
 ENGINEER: Steve Roskowski
 DRAWN BY: Steve Roskowski
 GROUP: System Extension
 SHEET: 9 OF: 46 SIZE: D
 PATH: @GND_ZERO/INPUT/VRAM_3 (1/1)

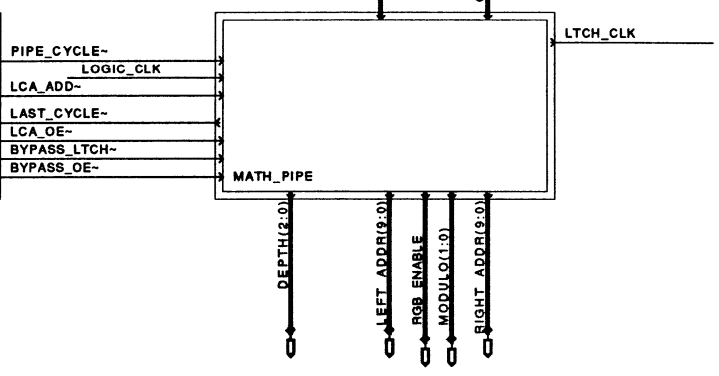
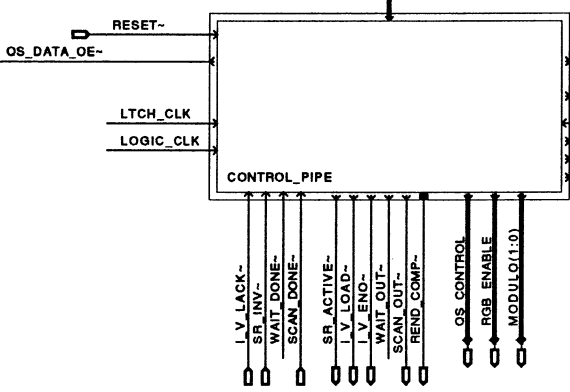
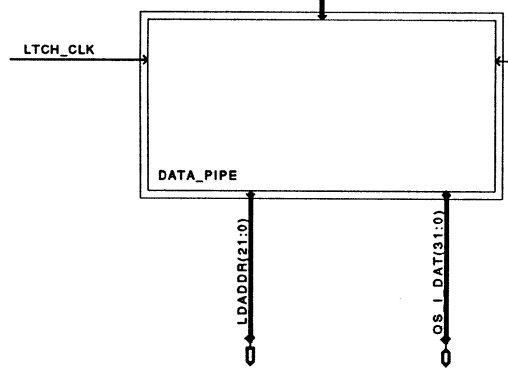
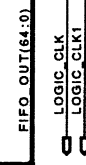
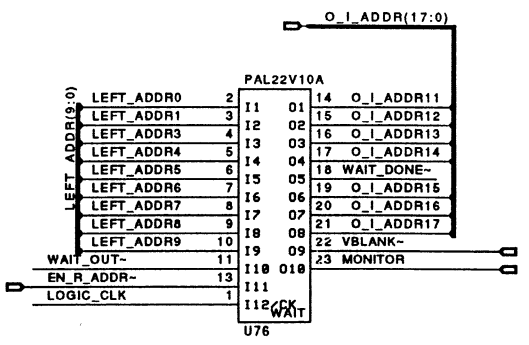
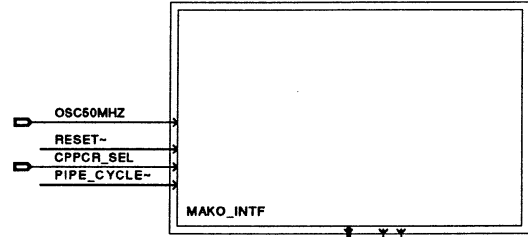
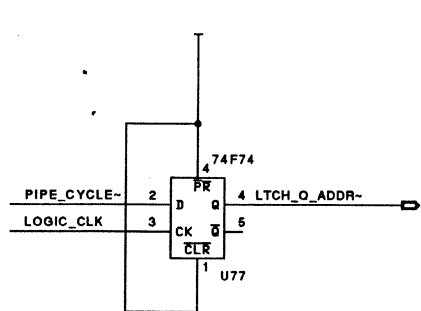
APPLE COMPUTER, INC.
 Ground Zero
 THE-BLOCK-TITLE
 THE-PAGE-TITLE



DRAWING NUMBER: XXX-XXXX-X
 REV: 1.0 DATE: 8-June-1988
 ENGINEER: Steve Roskowski
 DRAWN BY: Steve Roskowski
 GROUP: System Extension
 SHEET: 10 OF: 46 SIZE: D
 PATH: @GND_ZERO/INPUT/VRAM_4 (1/1)

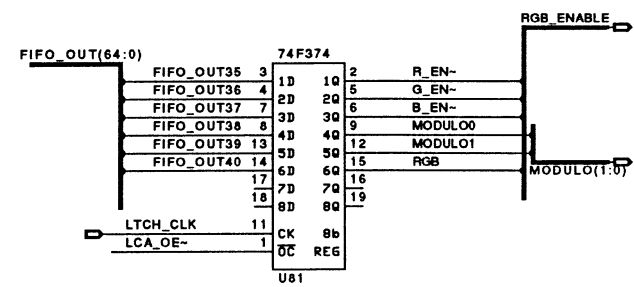
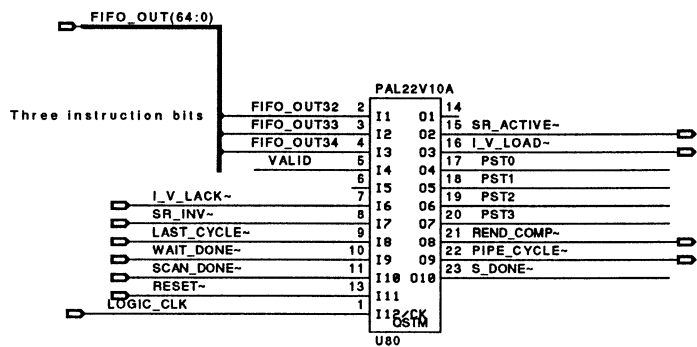
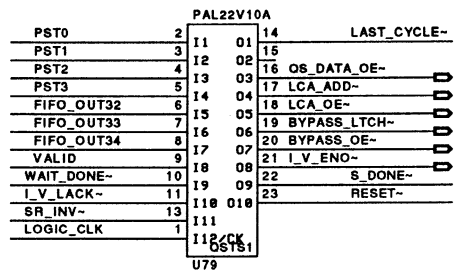
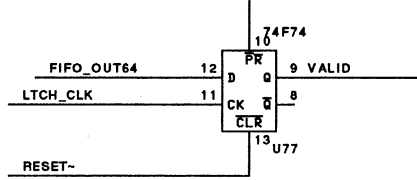
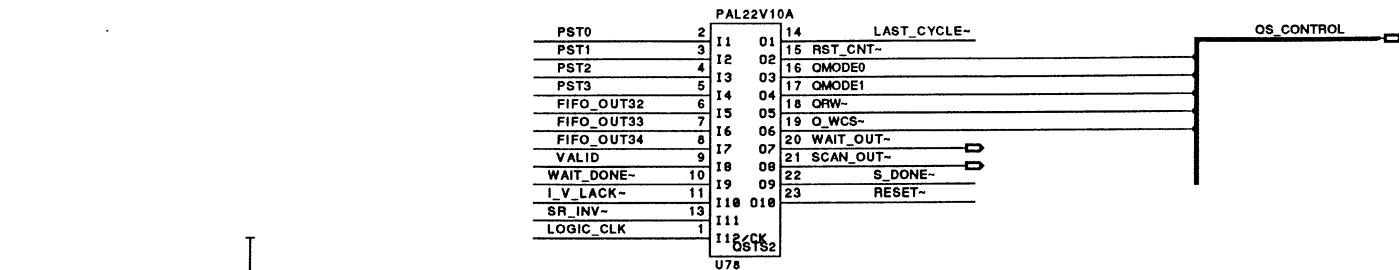
APPLE COMPUTER, INC.
 Ground Zero
 THE-BLOCK-TITLE
 THE-PAGE-TITLE

↓ 120 ↓ 140 ↓ 160 ↓ 180 ↓ 200 ↓ 220

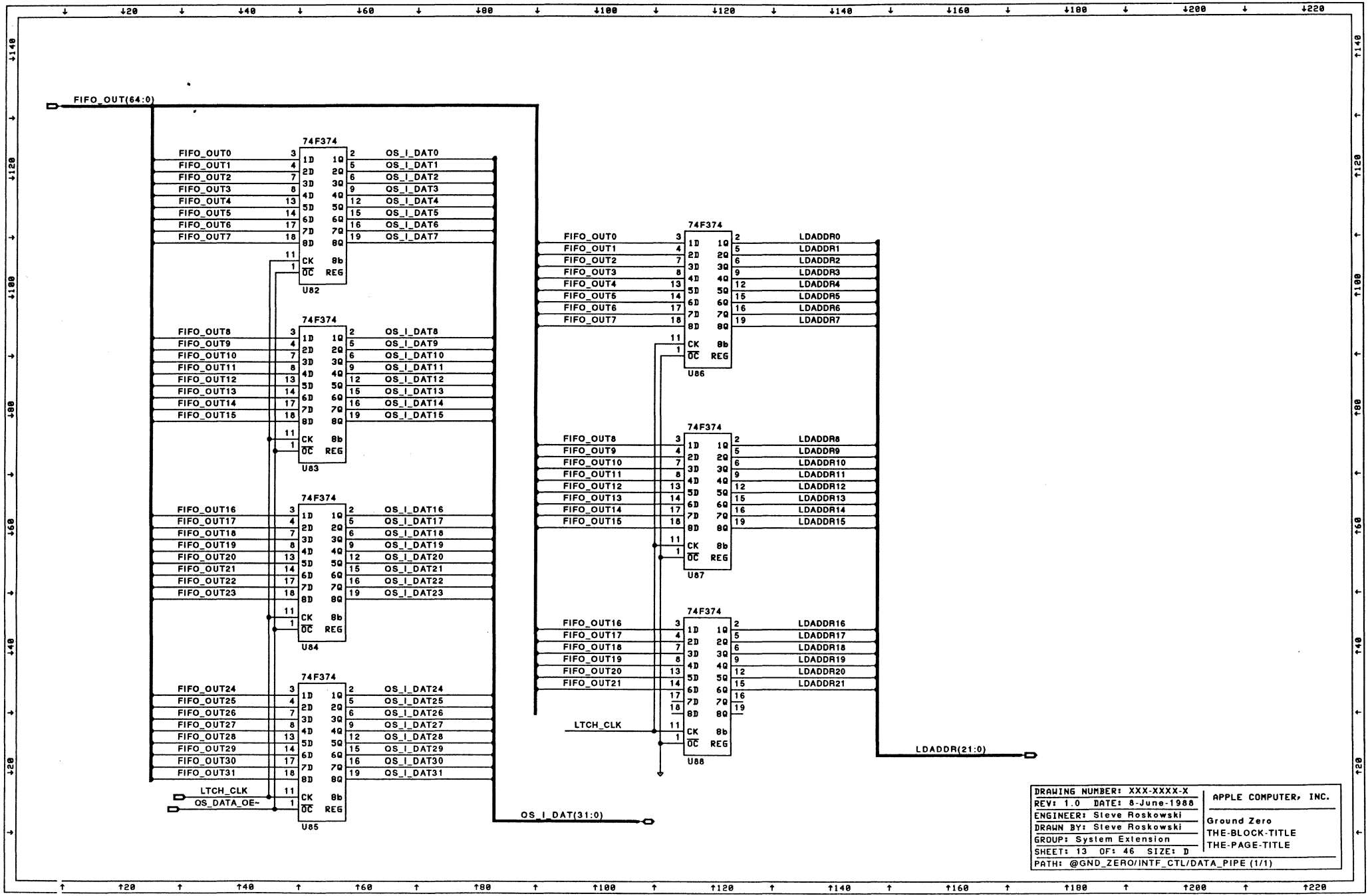


↑ 120 ↑ 140 ↑ 160 ↑ 180 ↑ 200 ↑ 220

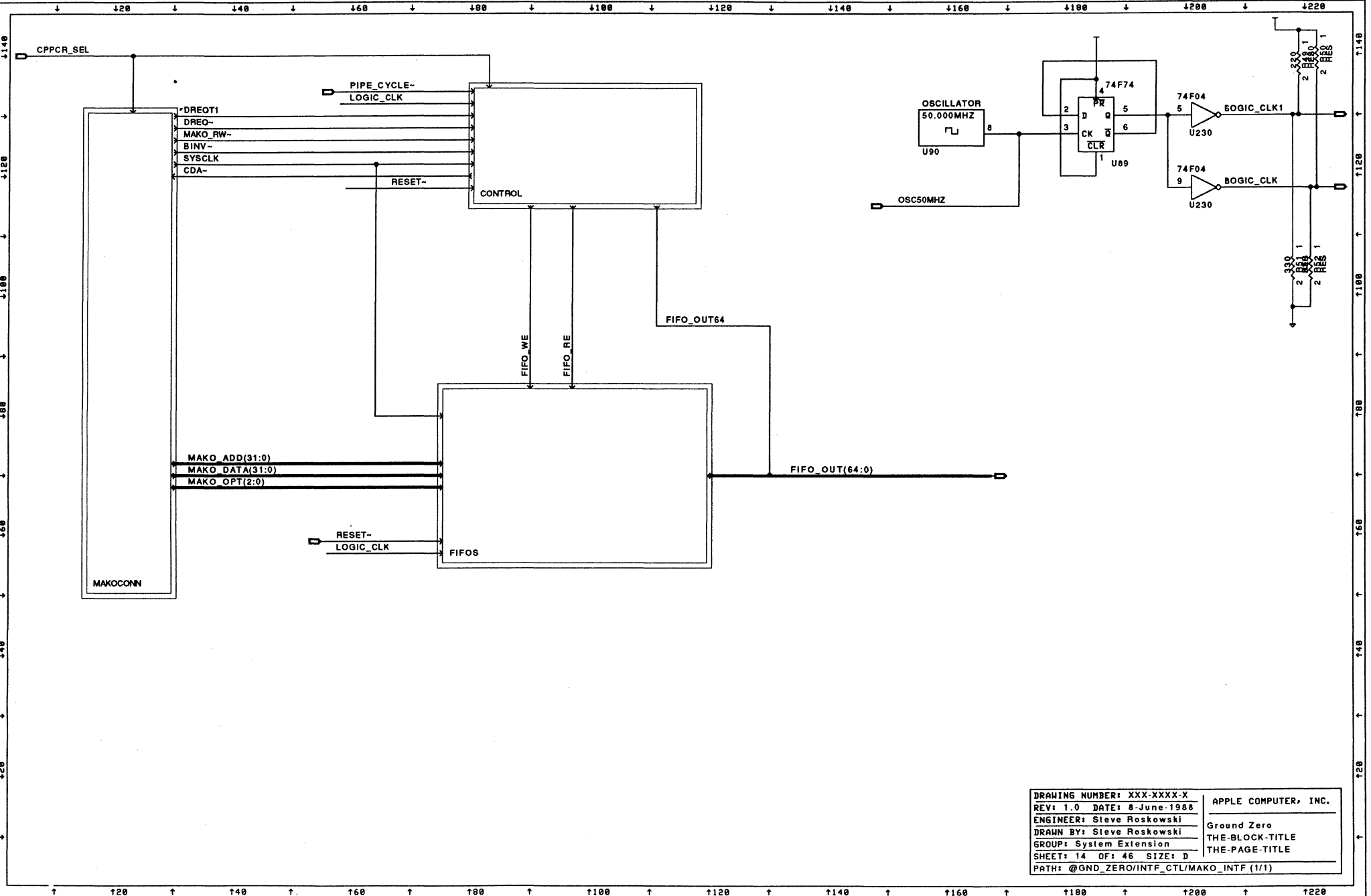
DRAWING NUMBER: XXX-XXXX-X		APPLE COMPUTER, INC.
REV: 1.0	DATE: 8-June-1988	
ENGINEER: Steve Roskowski		Ground Zero
DRAWN BY: Steve Roskowski		THE-BLOCK-TITLE
GROUP: System Extension		THE-PAGE-TITLE
SHEET: 11 OF: 46	SIZE: D	
PATH: @GND_ZERO/INTF_CTL (1/1)		



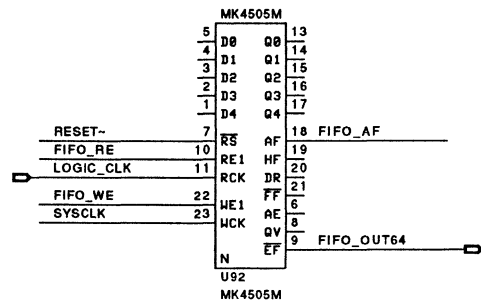
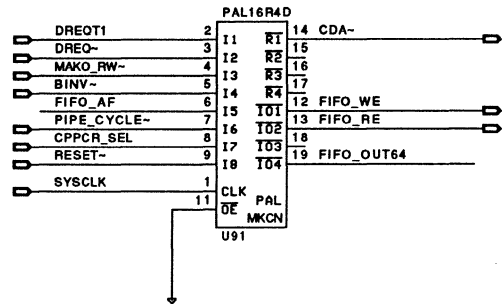
DRAWING NUMBER: XXX-XXXX	APPLE COMPUTER, INC.
REV: 1.0 DATE: 8-June-1988	Ground Zero
ENGINEER: Steve Roskowski	THE-BLOCK-TITLE
DRAWN BY: Steve Roskowski	THE-PAGE-TITLE
GROUP: System Extension	
SHEET: 12 OF: 46 SIZE: D	
PATH: @GND_ZERO/INTF_CTL/CONTROL_PIPE (1/1)	



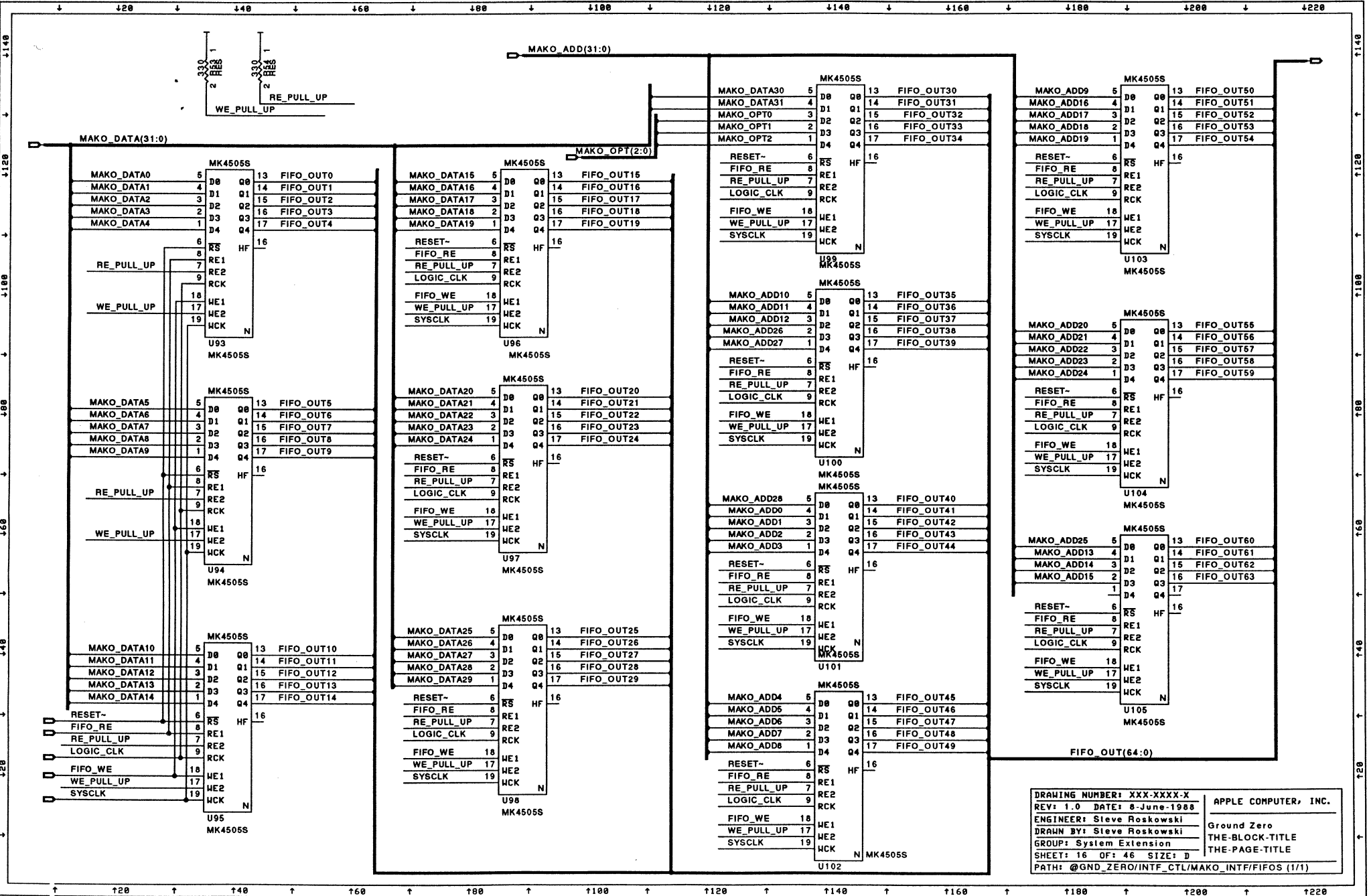
DRAWING NUMBER: XXX-XXX-X	APPLE COMPUTER, INC.
REV: 1.0 DATE: 8-June-1988	Ground Zero
ENGINEER: Steve Roskowski	THE-BLOCK-TITLE
DRAWN BY: Steve Roskowski	THE-PAGE-TITLE
GROUP: System Extension	
SHEET: 13 OF: 46 SIZE: D	
PATH: @GND_ZERO/INTF_CTL/DATA_PIPE (1/1)	



DRAWING NUMBER: XXX-XXX-X	APPLE COMPUTER, INC.
REV: 1.0 DATE: 8-June-1988	
ENGINEER: Steve Roskowski	Ground Zero
DRAWN BY: Steve Roskowski	THE-BLOCK-TITLE
GROUP: System Extension	THE-PAGE-TITLE
SHEET: 14 OF: 46 SIZE: D	
PATH: @GND_ZERO/INTF_CTL/MAKO_INTF (1/1)	



DRAWING NUMBER: XXX-XXXX-X		APPLE COMPUTER, INC.
REV: 1.0	DATE: 8-June-1988	
ENGINEER: Steve Roskowski		Ground Zero
DRAWN BY: Steve Roskowski		THE-BLOCK-TITLE
GROUP: System Extension		THE-PAGE-TITLE
SHEET: 15 OF: 46 SIZE: D		
PATH: @GND_ZERO/INTF_CTL/MAKO_INTF/CONTROL (1/1)		



DRAWING NUMBER: XXX-XXXX-X
 REV: 1.0 DATE: 8-June-1988
 ENGINEER: Steve Roskowski
 DRAWN BY: Steve Roskowski
 GROUP: System Extension
 SHEET: 16 OF: 46 SIZE: D
 PATH: @GND_ZERO/INTF_CTL/MAKO_INTF/FIFOS (1/1)

APPLE COMPUTER, INC.
 Ground Zero
 THE-BLOCK-TITLE
 THE-PAGE-TITLE

DATA50CONN

D00	2	MAKO_DATA0
D01	3	MAKO_DATA1
D02	5	MAKO_DATA2
D03	6	MAKO_DATA3
D04	8	MAKO_DATA4
D05	9	MAKO_DATA5
D06	11	MAKO_DATA6
D07	12	MAKO_DATA7
D08	14	MAKO_DATA8
D09	15	MAKO_DATA9
D10	17	MAKO_DATA10
D11	18	MAKO_DATA11
D12	20	MAKO_DATA12
D13	21	MAKO_DATA13
D14	23	MAKO_DATA14
D15	24	MAKO_DATA15
D16	26	MAKO_DATA16
D17	27	MAKO_DATA17
D18	29	MAKO_DATA18
D19	30	MAKO_DATA19
D20	32	MAKO_DATA20
D21	33	MAKO_DATA21
D22	35	MAKO_DATA22
D23	36	MAKO_DATA23
D24	38	MAKO_DATA24
D25	39	MAKO_DATA25
D26	41	MAKO_DATA26
D27	42	MAKO_DATA27
D28	44	MAKO_DATA28
D29	45	MAKO_DATA29
D30	47	MAKO_DATA30
D31	48	MAKO_DATA31

V2

MAKO_DATA(31:0)

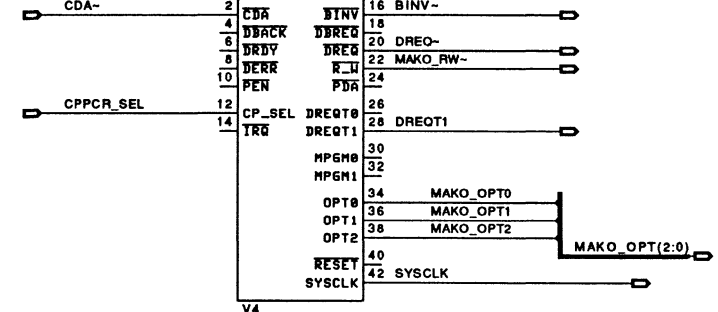
ADD50CONN

A00	2	MAKO_ADD0
A01	3	MAKO_ADD1
A02	5	MAKO_ADD2
A03	6	MAKO_ADD3
A04	8	MAKO_ADD4
A05	9	MAKO_ADD5
A06	11	MAKO_ADD6
A07	12	MAKO_ADD7
A08	14	MAKO_ADD8
A09	15	MAKO_ADD9
A10	17	MAKO_ADD10
A11	18	MAKO_ADD11
A12	20	MAKO_ADD12
A13	21	MAKO_ADD13
A14	23	MAKO_ADD14
A15	24	MAKO_ADD15
A16	26	MAKO_ADD16
A17	27	MAKO_ADD17
A18	29	MAKO_ADD18
A19	30	MAKO_ADD19
A20	32	MAKO_ADD20
A21	33	MAKO_ADD21
A22	35	MAKO_ADD22
A23	36	MAKO_ADD23
A24	38	MAKO_ADD24
A25	39	MAKO_ADD25
A26	41	MAKO_ADD26
A27	42	MAKO_ADD27
A28	44	MAKO_ADD28
A29	45	MAKO_ADD29
A30	47	MAKO_ADD30
A31	48	MAKO_ADD31

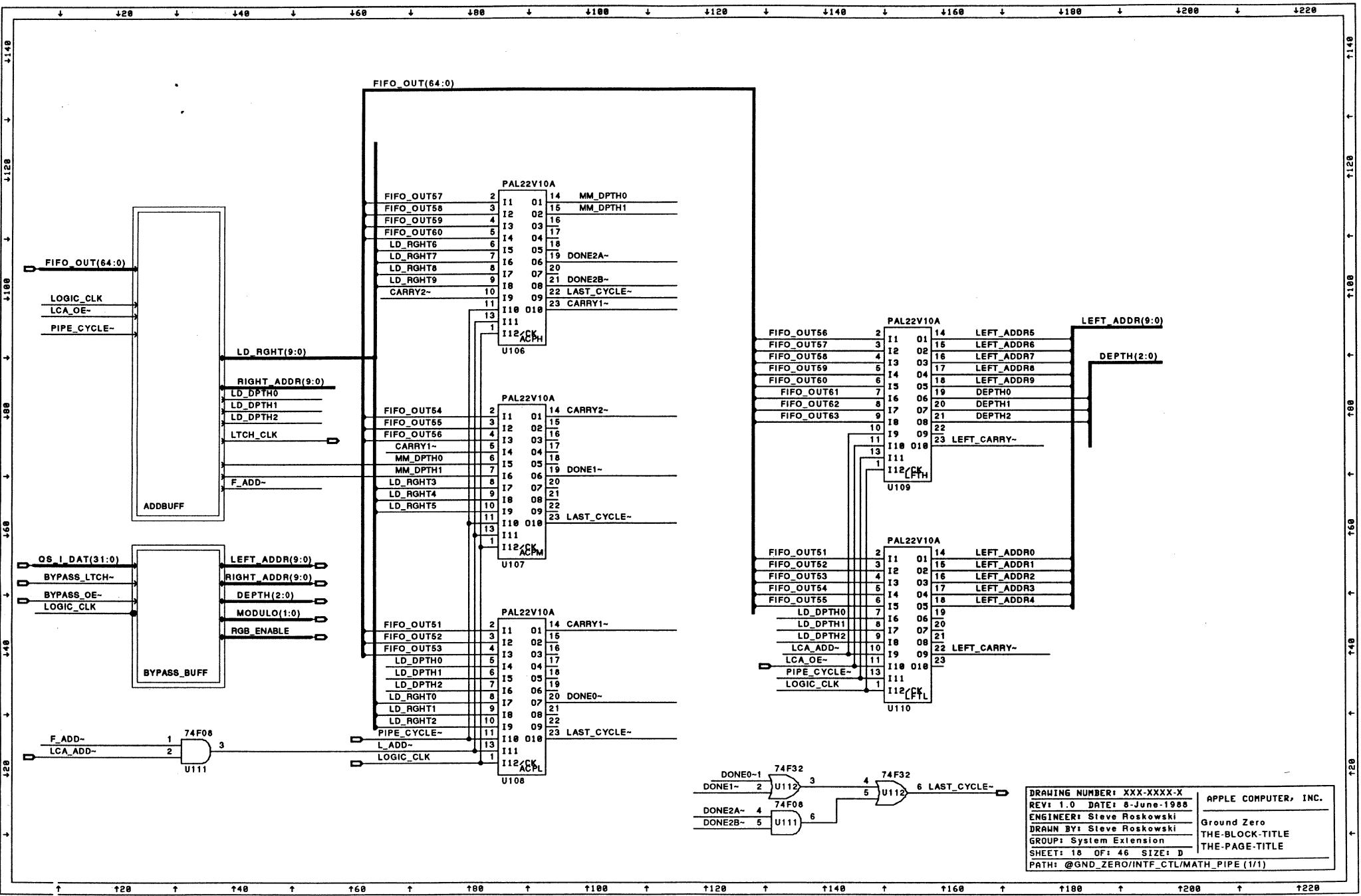
V3

MAKO_ADD(31:0)

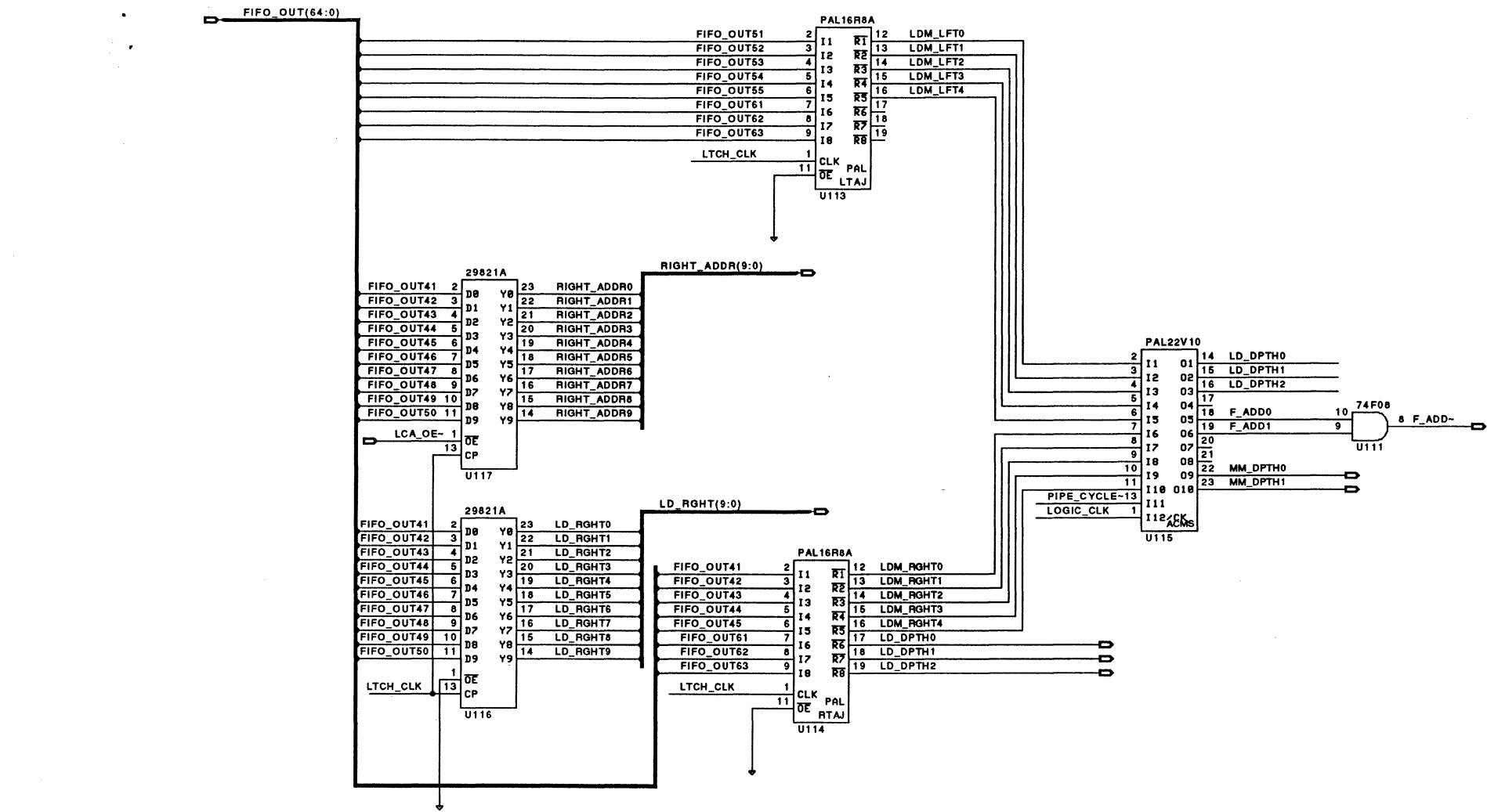
MISC50CONN



DRAWING NUMBER: XXX-XXXX-X	APPLE COMPUTER, INC.
REV: 1.0 DATE: 8-June-1988	Ground Zero
ENGINEER: Steve Roskowski	THE-BLOCK-TITLE
DRAWN BY: Steve Roskowski	THE-PAGE-TITLE
GROUP: System Extension	
SHEET: 17 OF: 46 SIZE: D	
PATH: @GND_ZERO/INTF_CTL/MAKO_INTF/MAKOCONN (1/1)	

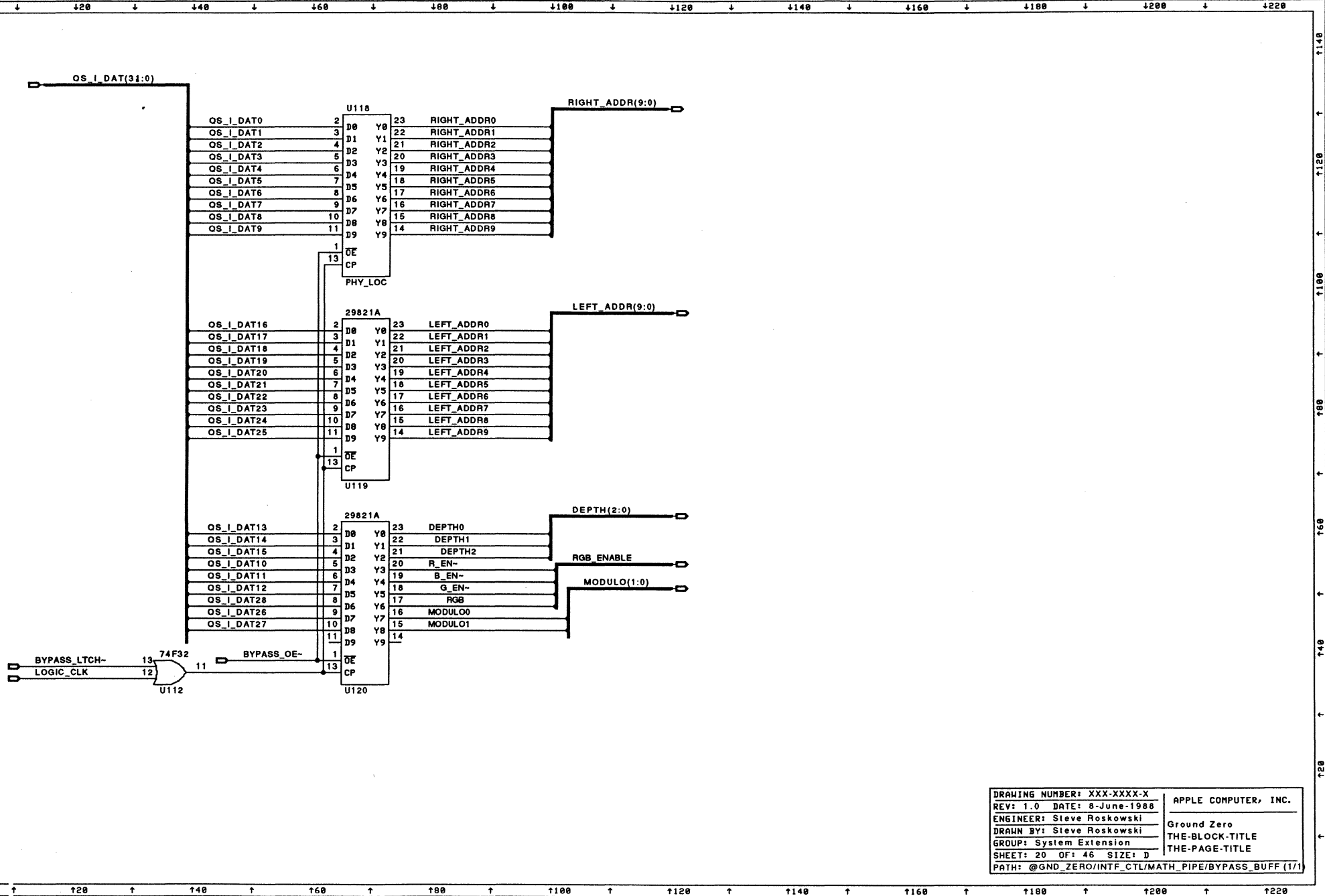


DRAWING NUMBER: XXX-XXXX-X	APPLE COMPUTER, INC.
REV: 1.0 DATE: 8-June-1988	Ground Zero
ENGINEER: Steve Roskowski	THE-BLOCK-TITLE
DRAWN BY: Steve Roskowski	THE-PAGE-TITLE
GROUP: System Extension	
SHEET: 16 OF: 46 SIZE: D	
PATH: @GND_ZERO/INTF_CTL/MATH_PIPE (1/1)	

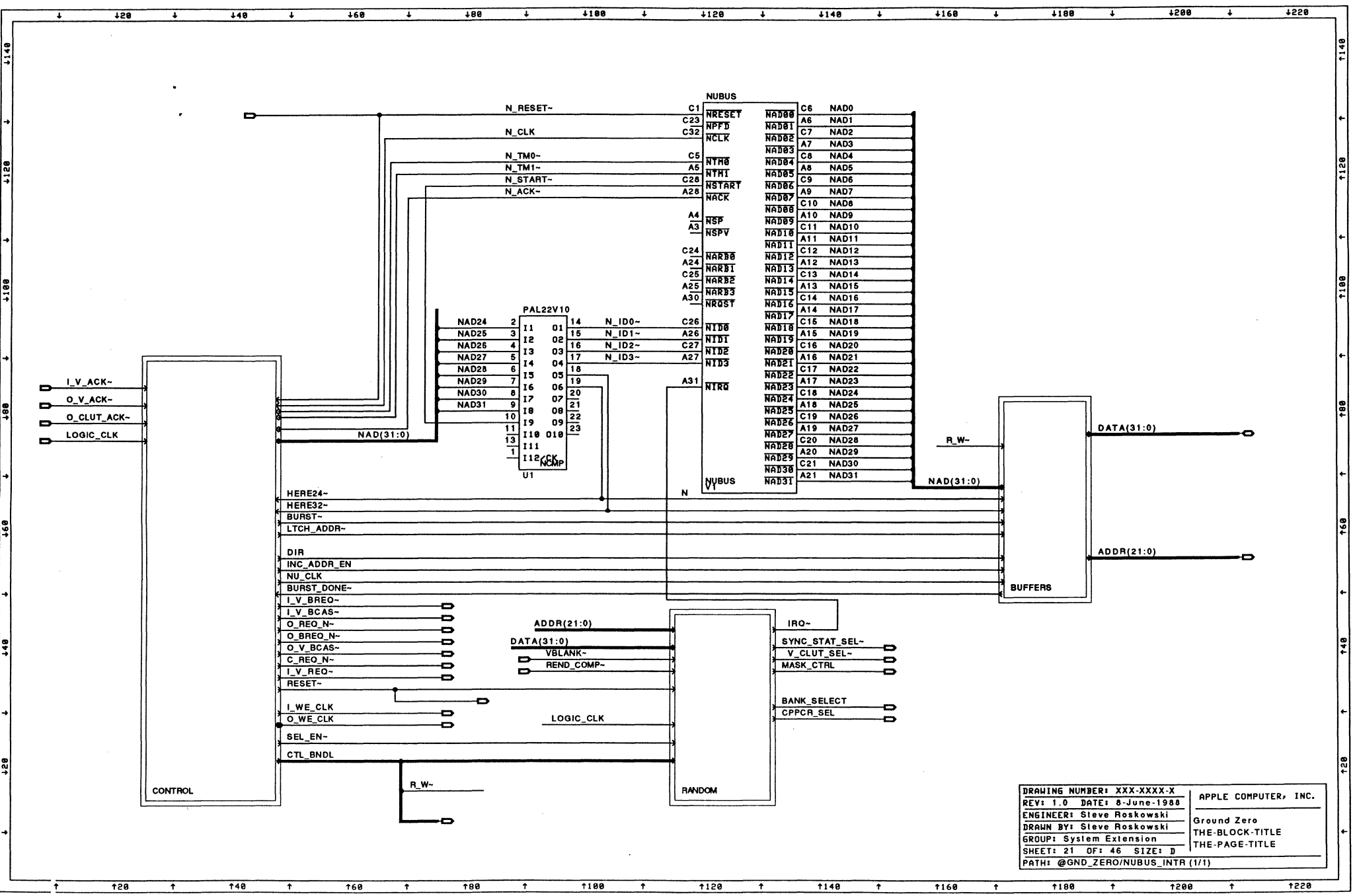


DRAWING NUMBER: XXX-XXXX-X
 REV: 1.0 DATE: 8-June-1988
 ENGINEER: Steve Roskowski
 DRAWN BY: Steve Roskowski
 GROUP: System Extension
 SHEET: 19 OF: 46 SIZE: D
 PATH: @GND_ZERO/INTF_CTL/MATH_PIPE/ADDBUFF (1/1)

APPLE COMPUTER, INC.
 Ground Zero
 THE-BLOCK-TITLE
 THE-PAGE-TITLE



DRAWING NUMBER: XXX-XXXX-X	APPLE COMPUTER, INC.
REV: 1.0 DATE: 8-June-1988	Ground Zero
ENGINEER: Steve Roskowski	THE-BLOCK-TITLE
DRAWN BY: Steve Roskowski	THE-PAGE-TITLE
GROUP: System Extension	
SHEET: 20 OF: 46 SIZE: D	
PATH: @GND_ZERO/INTF_CTL/MATH_PIPE/BYPASS_BUFF (1/1)	



PAL22V10

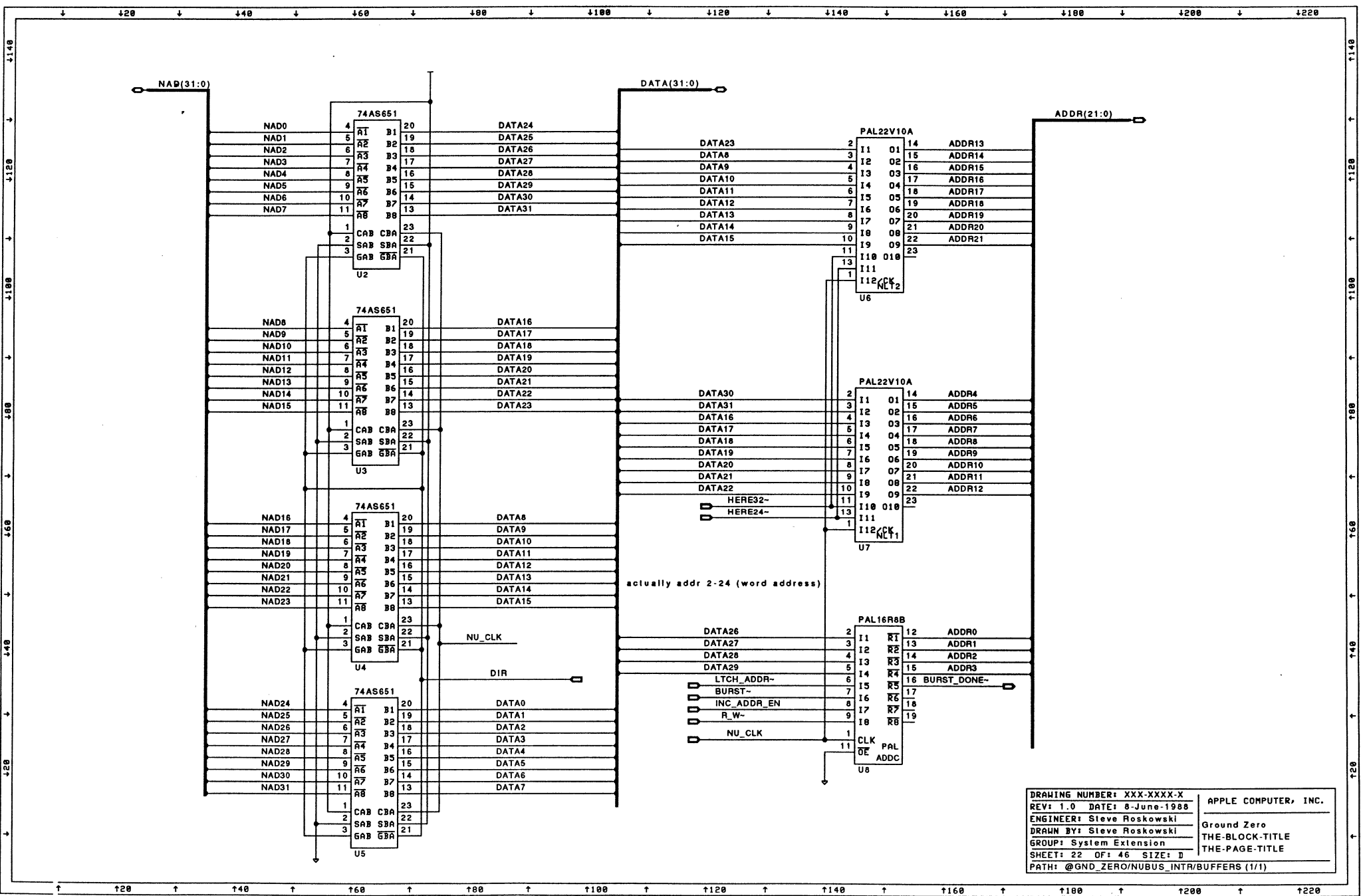
NAD24	2	11	01	14	N_ID0-	C26
NAD25	3	12	02	15	N_ID1-	A26
NAD26	4	13	03	16	N_ID2-	C27
NAD27	5	14	04	17	N_ID3-	A27
NAD28	6	15	05	18		
NAD29	7	16	06	19		
NAD30	8	17	07	20		
NAD31	9	18	08	21		
	10	19	09	22		
	11	110	010	23		
	111					
	112					
	1					

U1

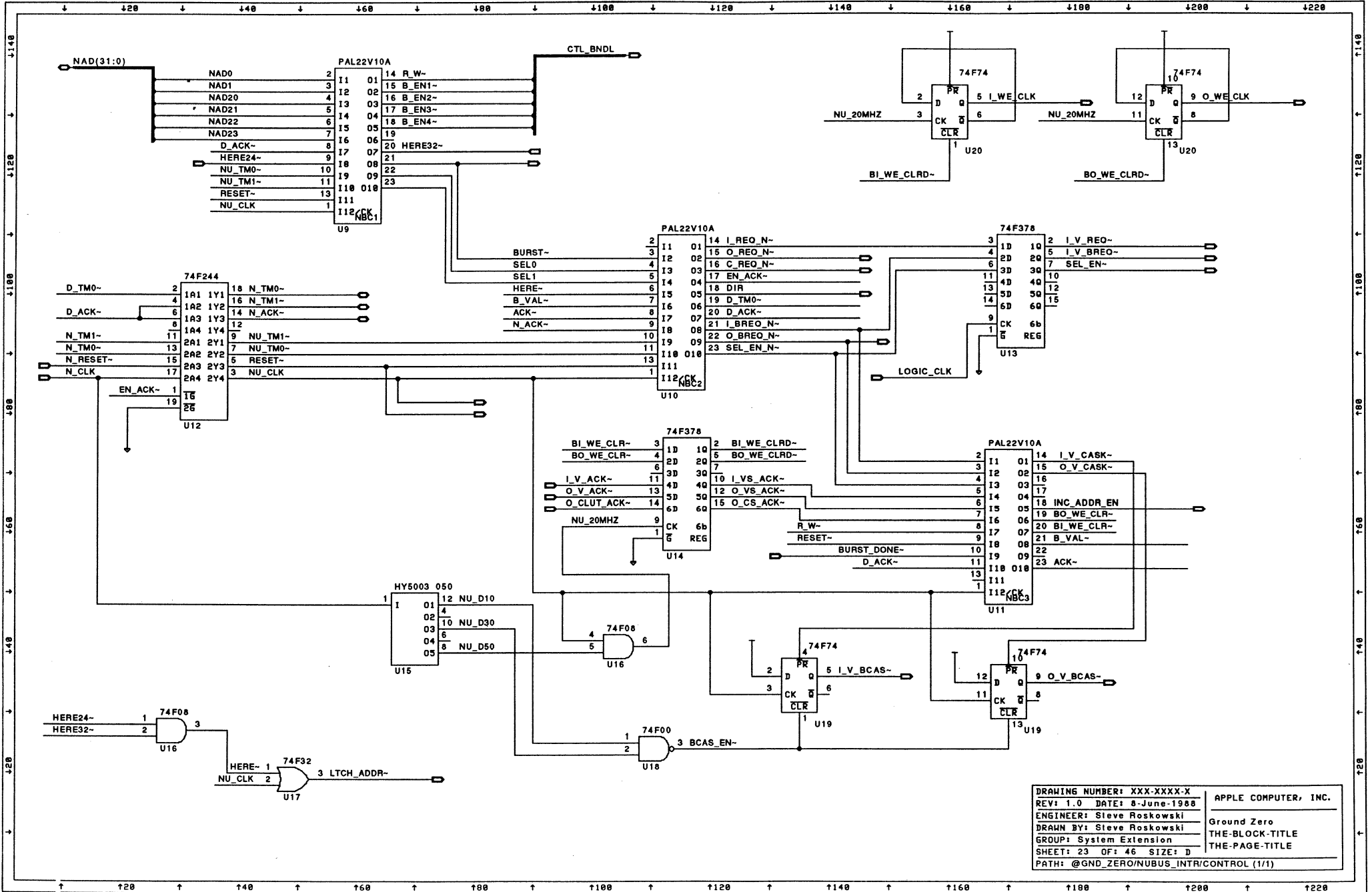
NUBUS

C1	NRESET	NAD00	C6	NAD0
C23	NPF	NAD01	A6	NAD1
C32	NCLK	NAD02	C7	NAD2
		NAD03	A7	NAD3
C5	NTH0	NAD04	C8	NAD4
A5	NTH1	NAD05	A8	NAD5
C28	NSTART	NAD06	C9	NAD6
A28	NACK	NAD07	A9	NAD7
		NAD08	C10	NAD8
A4	NSP	NAD09	A10	NAD9
A3	NSPV	NAD10	C11	NAD10
		NAD11	A11	NAD11
C24	NARB0	NAD12	C12	NAD12
A24	NARB1	NAD13	A12	NAD13
C25	NARB2	NAD14	C13	NAD14
A25	NARB3	NAD15	A13	NAD15
A30	NROST	NAD16	C14	NAD16
		NAD17	A14	NAD17
		NAD18	C15	NAD18
		NAD19	A15	NAD19
		NAD20	C16	NAD20
		NAD21	A16	NAD21
		NAD22	C17	NAD22
		NAD23	A17	NAD23
		NAD24	C18	NAD24
		NAD25	A18	NAD25
		NAD26	C19	NAD26
		NAD27	A19	NAD27
		NAD28	C20	NAD28
		NAD29	A20	NAD29
		NAD30	C21	NAD30
		NAD31	A21	NAD31

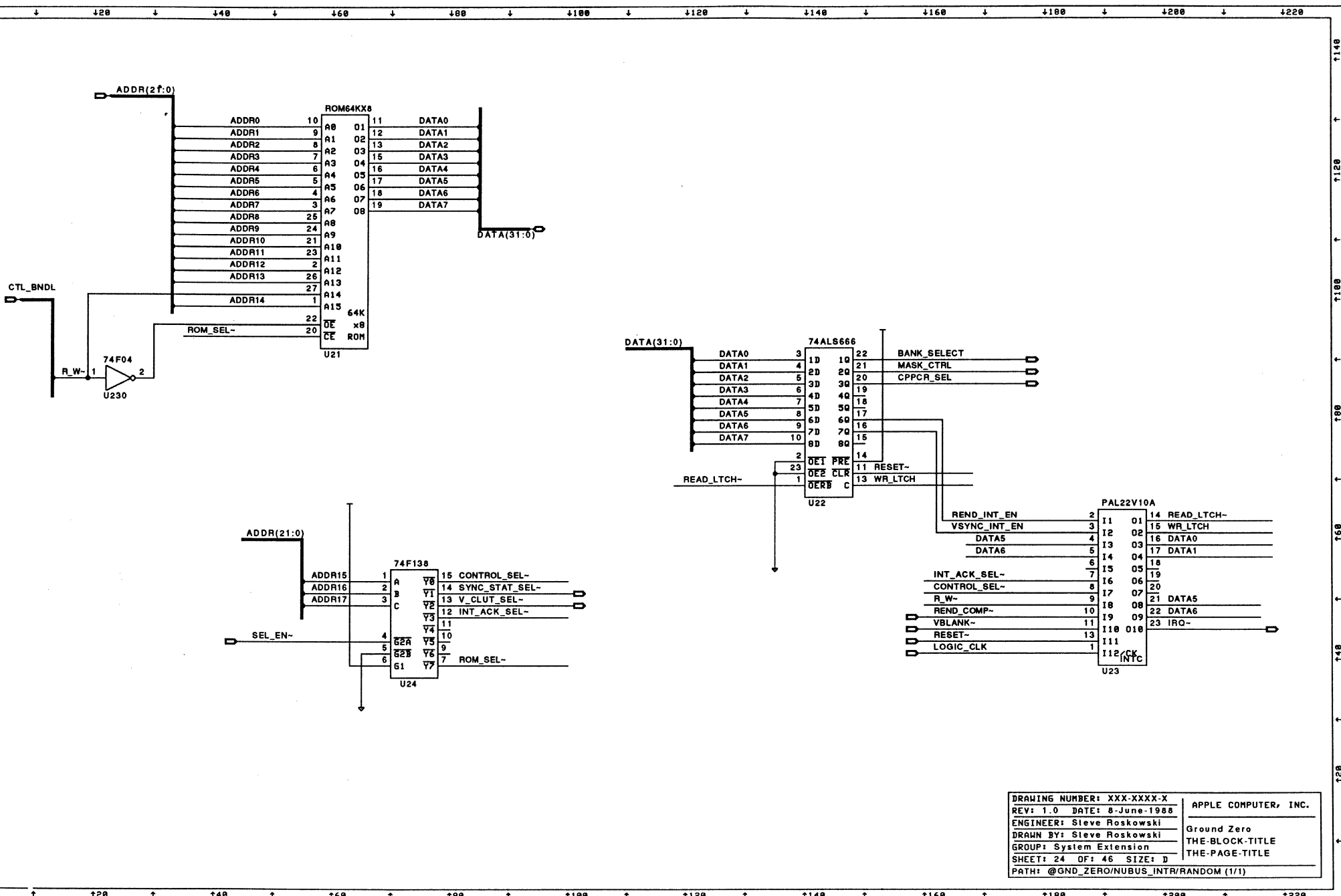
DRAWING NUMBER: XXX-XXXX-X	APPLE COMPUTER, INC.
REV: 1.0 DATE: 8-June-1988	
ENGINEER: Steve Roskowski	Ground Zero
DRAWN BY: Steve Roskowski	THE-BLOCK-TITLE
GROUP: System Extension	THE-PAGE-TITLE
SHEET: 21 OF: 46 SIZE: D	
PATH: @GND_ZERO/NUBUS_INTR(1/1)	



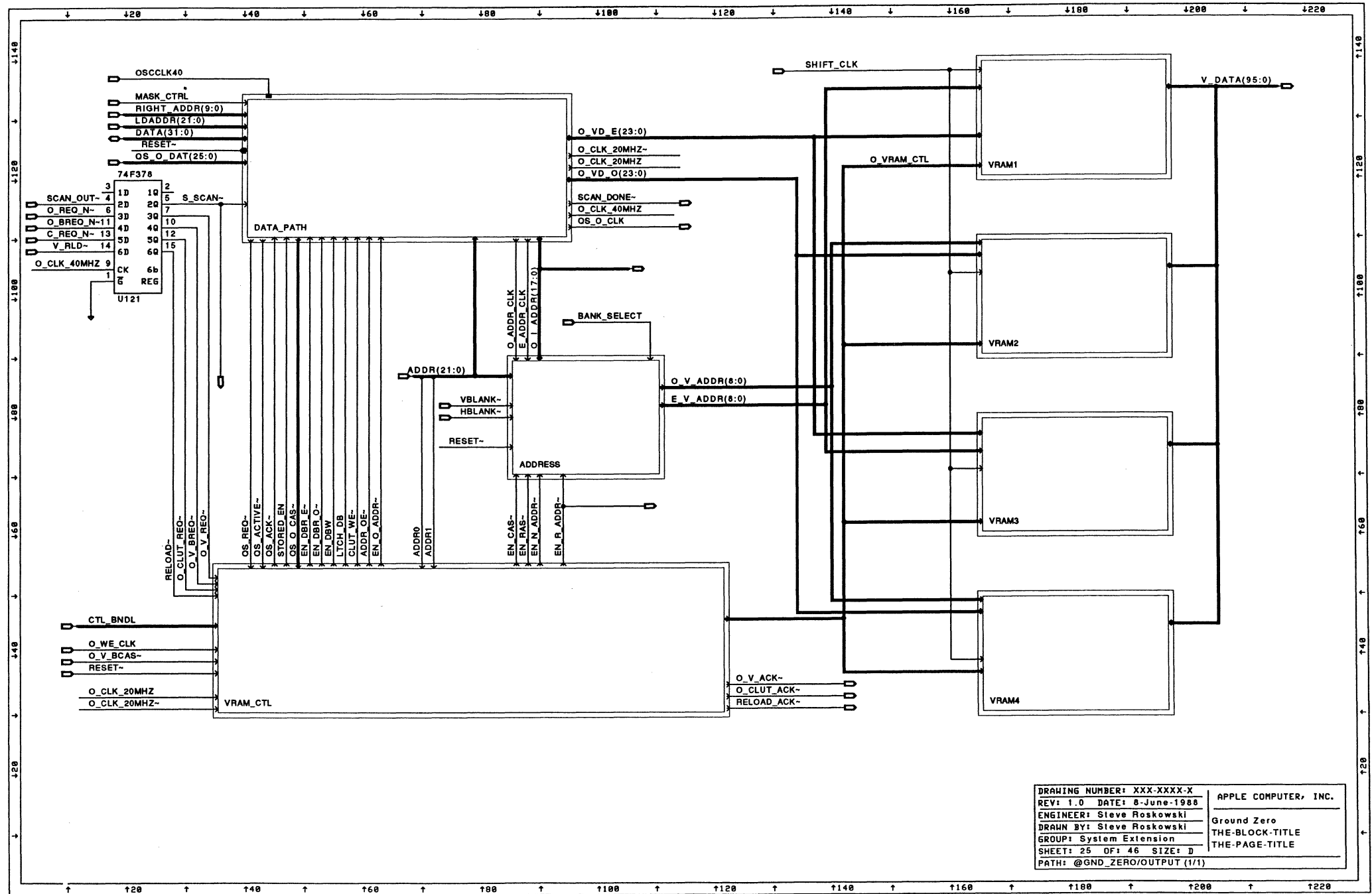
DRAWING NUMBER: XXX-XXXX-X	APPLE COMPUTER, INC.
REV: 1.0 DATE: 8-June-1988	Ground Zero
ENGINEER: Steve Roskowski	THE-BLOCK-TITLE
DRAWN BY: Steve Roskowski	THE-PAGE-TITLE
GROUP: System Extension	
SHEET: 22 OF: 46 SIZE: D	
PATH: @GND_ZERO/NUBUS_INTB/BUFFERS (1/1)	



DRAWING NUMBER: XXX-XXX-X	APPLE COMPUTER, INC.
REV: 1.0 DATE: 8-June-1988	
ENGINEER: Steve Roskowski	Ground Zero
DRAWN BY: Steve Roskowski	THE-BLOCK-TITLE
GROUP: System Extension	THE-PAGE-TITLE
SHEET: 23 OF: 46 SIZE: D	
PATH: @GND_ZERO/NUBUS_INTR/CONTROL (1/1)	



DRAWING NUMBER: XXX-XXXX-X		APPLE COMPUTER, INC.
REV: 1.0	DATE: 8-June-1988	Ground Zero
ENGINEER: Steve Roskowski		THE-BLOCK-TITLE
DRAWN BY: Steve Roskowski		THE-PAGE-TITLE
GROUP: System Extension		
SHEET: 24	OF: 46	SIZE: D
PATH: @GND_ZERO/NUBUS_INTR/RANDOM (1/1)		



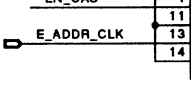
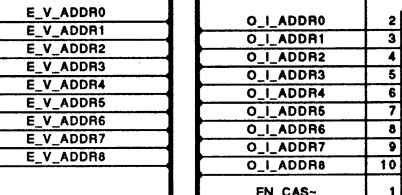
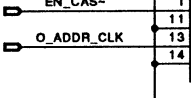
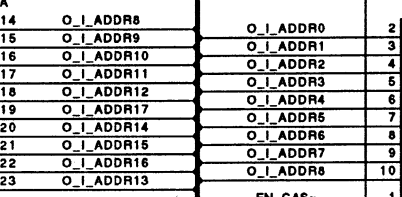
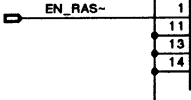
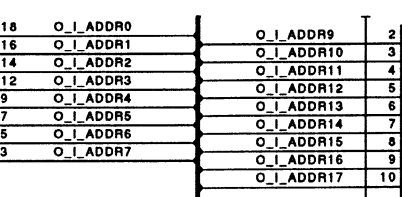
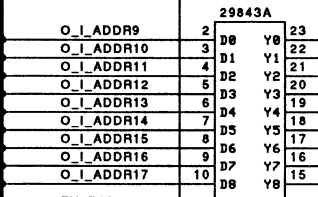
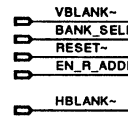
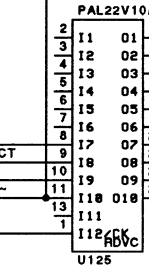
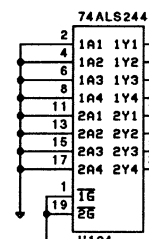
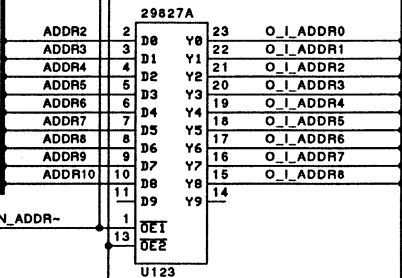
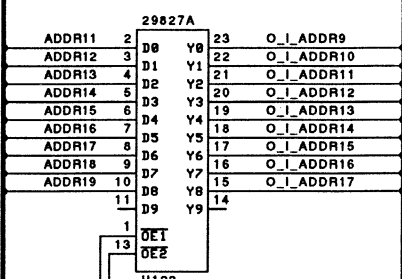
DRAWING NUMBER: XXX-XXXX-X	APPLE COMPUTER, INC.
REV: 1.0 DATE: 8-June-1988	Ground Zero
ENGINEER: Steve Roskowski	THE-BLOCK-TITLE
DRAWN BY: Steve Roskowski	THE-PAGE-TITLE
GROUP: System Extension	
SHEET: 25 OF: 46 SIZE: D	
PATH: @GND_ZERO/OUTPUT (1/1)	

120 140 160 180 100 110 120 140 160 180 200 220

ADDR(21:0)

O_I_ADDR(17:0)

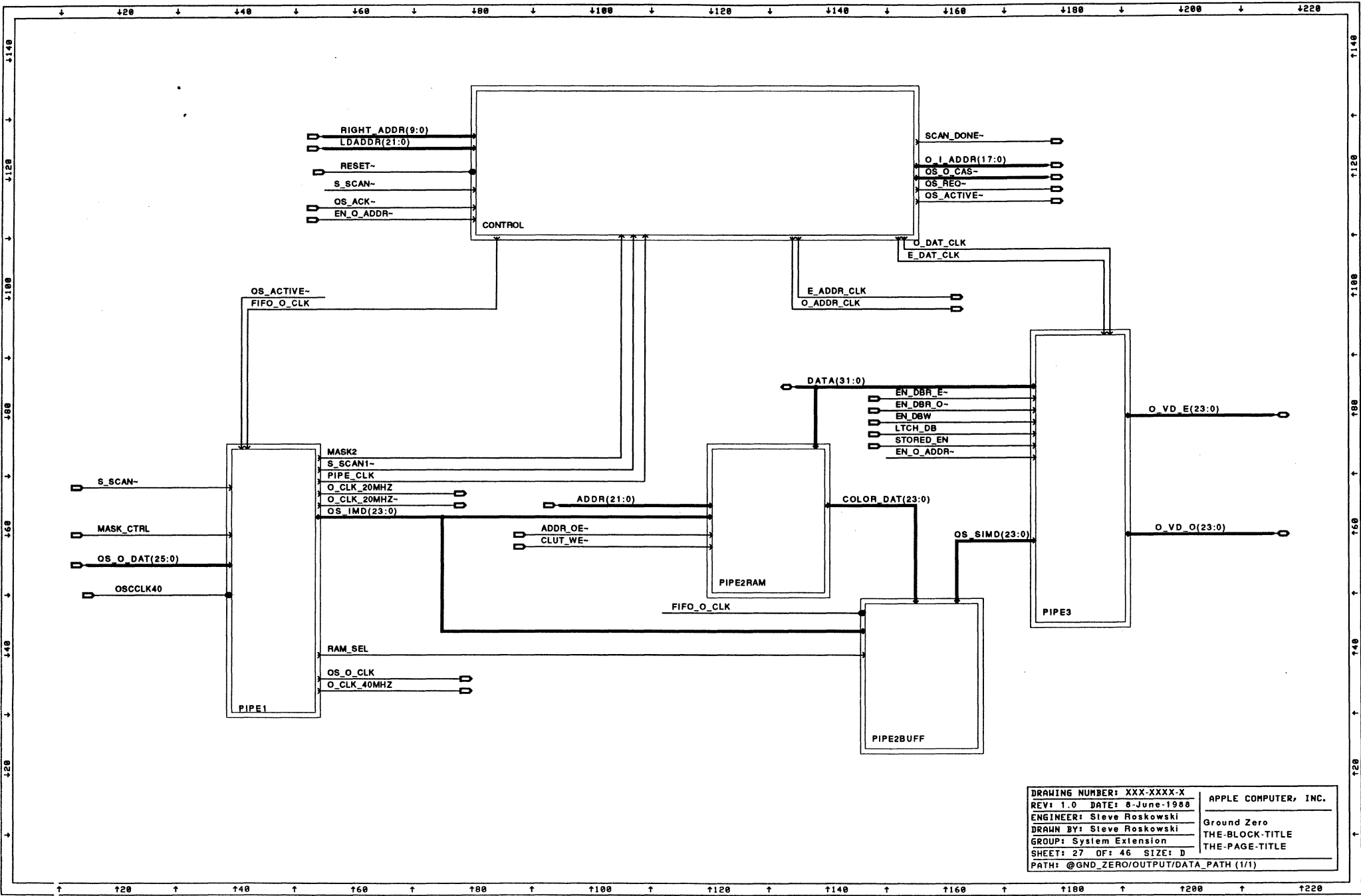
O_V_ADDR(8:0)



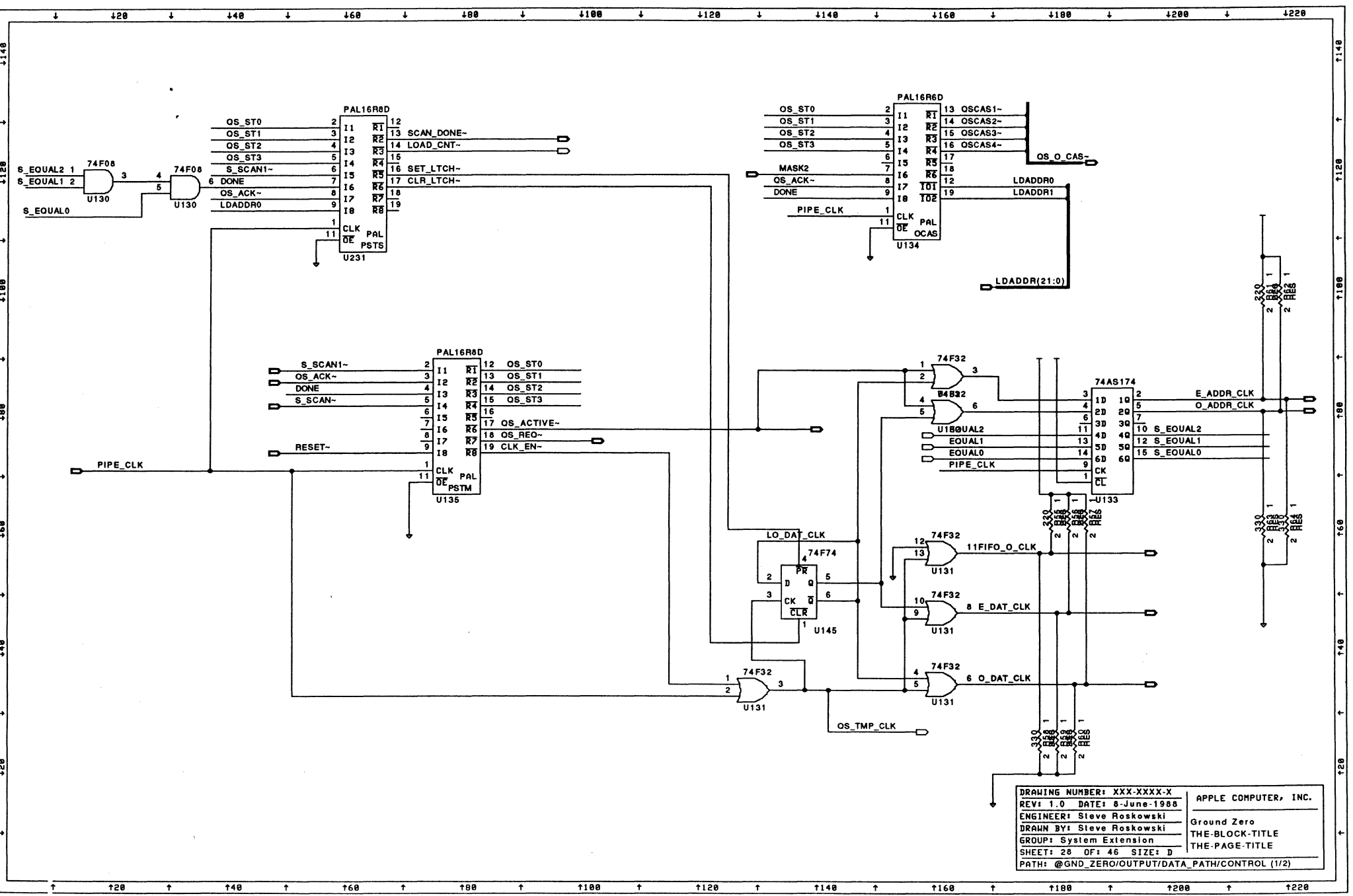
DRAWING NUMBER: XXX-XXXX-X
 REV: 1.0 DATE: 8-June-1988
 ENGINEER: Steve Roskowski
 DRAWN BY: Steve Roskowski
 GROUP: System Extension
 SHEET: 26 OF: 46 SIZE: D
 PATH: @GND_ZERO/OUTPUT/ADDRESS (1/1)

APPLE COMPUTER, INC.
 Ground Zero
 THE-BLOCK-TITLE
 THE-PAGE-TITLE

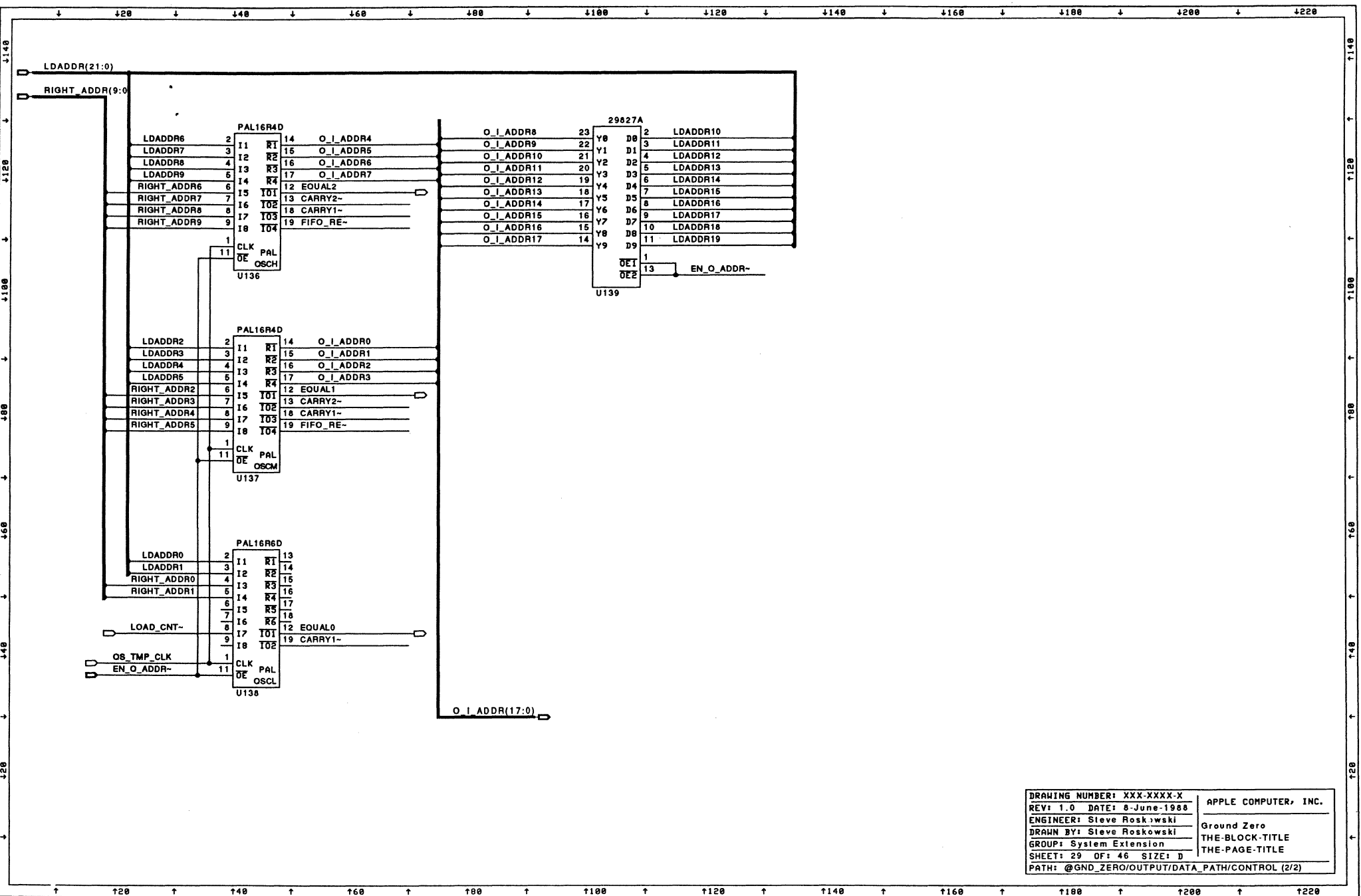
120 140 160 180 100 110 120 140 160 180 200 220



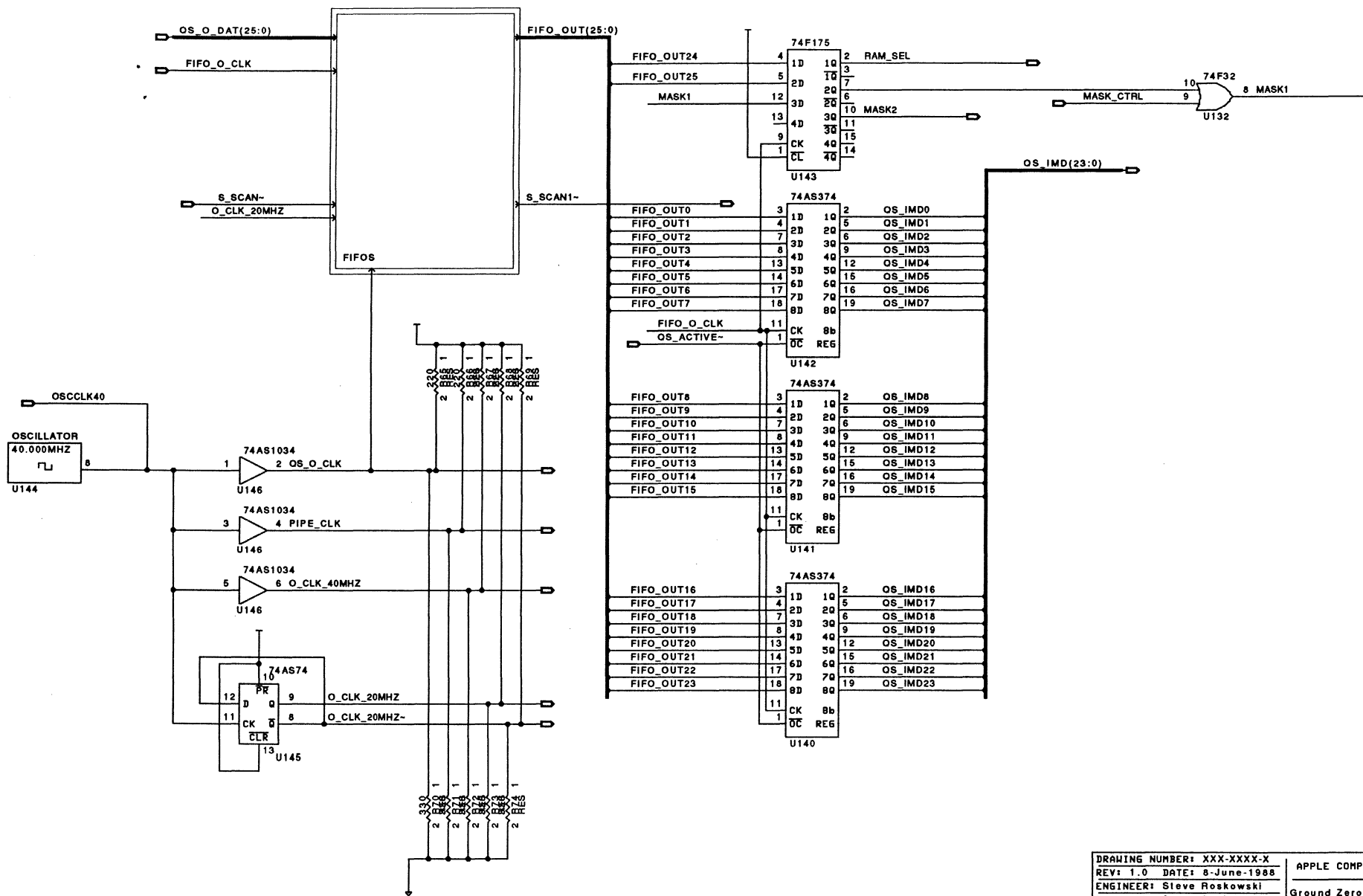
DRAWING NUMBER: XXX-XXXX-X	APPLE COMPUTER, INC.
REV: 1.0 DATE: 8-June-1988	Ground Zero
ENGINEER: Steve Roskowski	THE-BLOCK-TITLE
DRAWN BY: Steve Roskowski	THE-PAGE-TITLE
GROUP: System Extension	
SHEET: 27 OF: 46 SIZE: D	
PATH: @GND_ZERO/OUTPUT/DATA_PATH (1/1)	



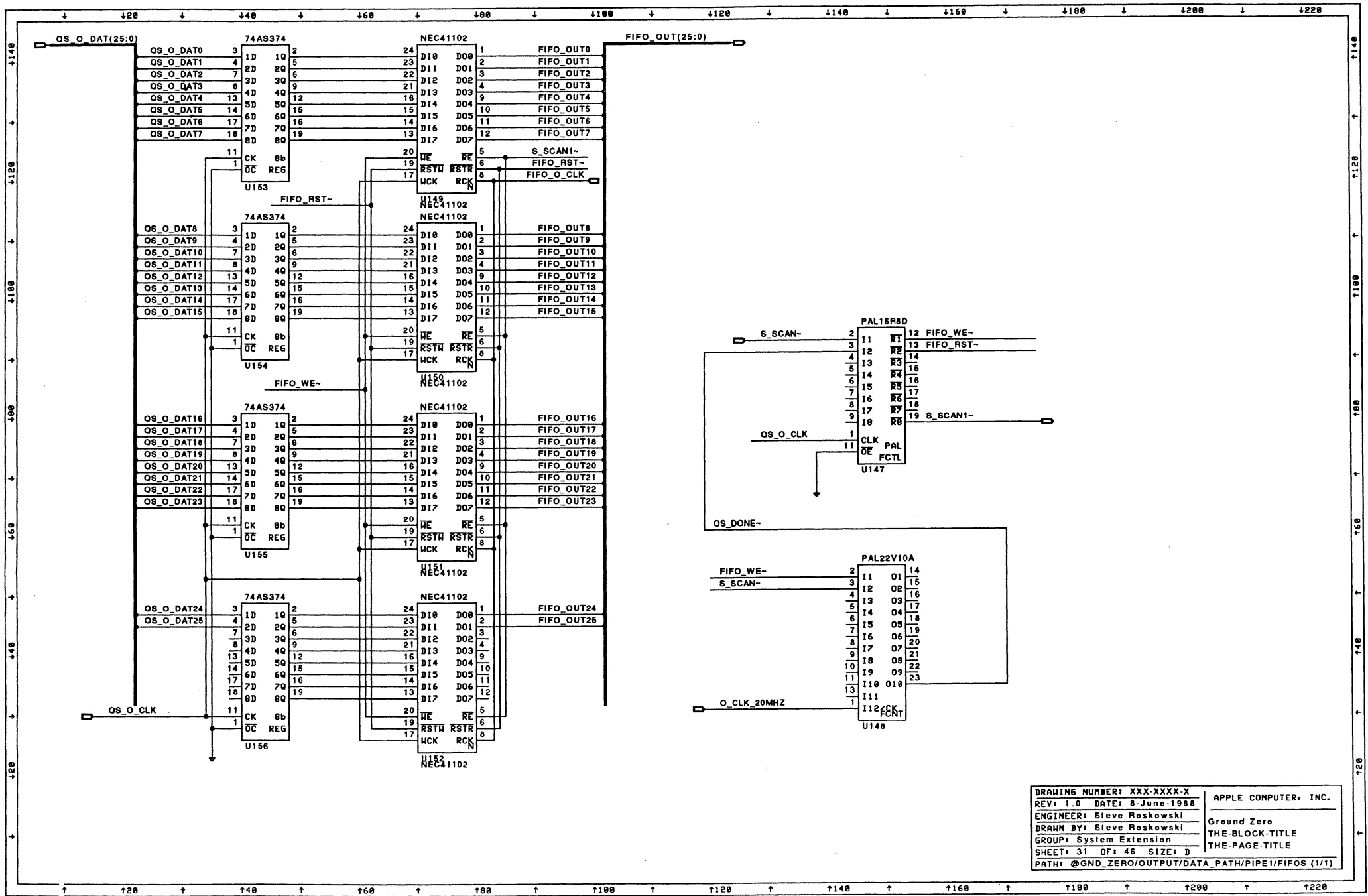
DRAWING NUMBER: XXX-XXXX-X	APPLE COMPUTER, INC.
REV: 1.0 DATE: 8-June-1988	Ground Zero
ENGINEER: Steve Roskowski	THE-BLOCK-TITLE
DRAWN BY: Steve Roskowski	THE-PAGE-TITLE
GROUP: System Extension	
SHEET: 28 OF: 46 SIZE: D	
PATH: @GND_ZERO/OUTPUT/DATA_PATH/CONTROL (1/2)	



DRAWING NUMBER: XXX-XXXX-X	APPLE COMPUTER, INC.
REV: 1.0 DATE: 8-June-1988	
ENGINEER: Steve Roskowski	Ground Zero
DRAWN BY: Steve Roskowski	THE-BLOCK-TITLE
GROUP: System Extension	THE-PAGE-TITLE
SHEET: 29 OF: 46 SIZE: D	
PATH: @GND_ZERO/OUTPUT/DATA_PATH/CONTROL (2/2)	



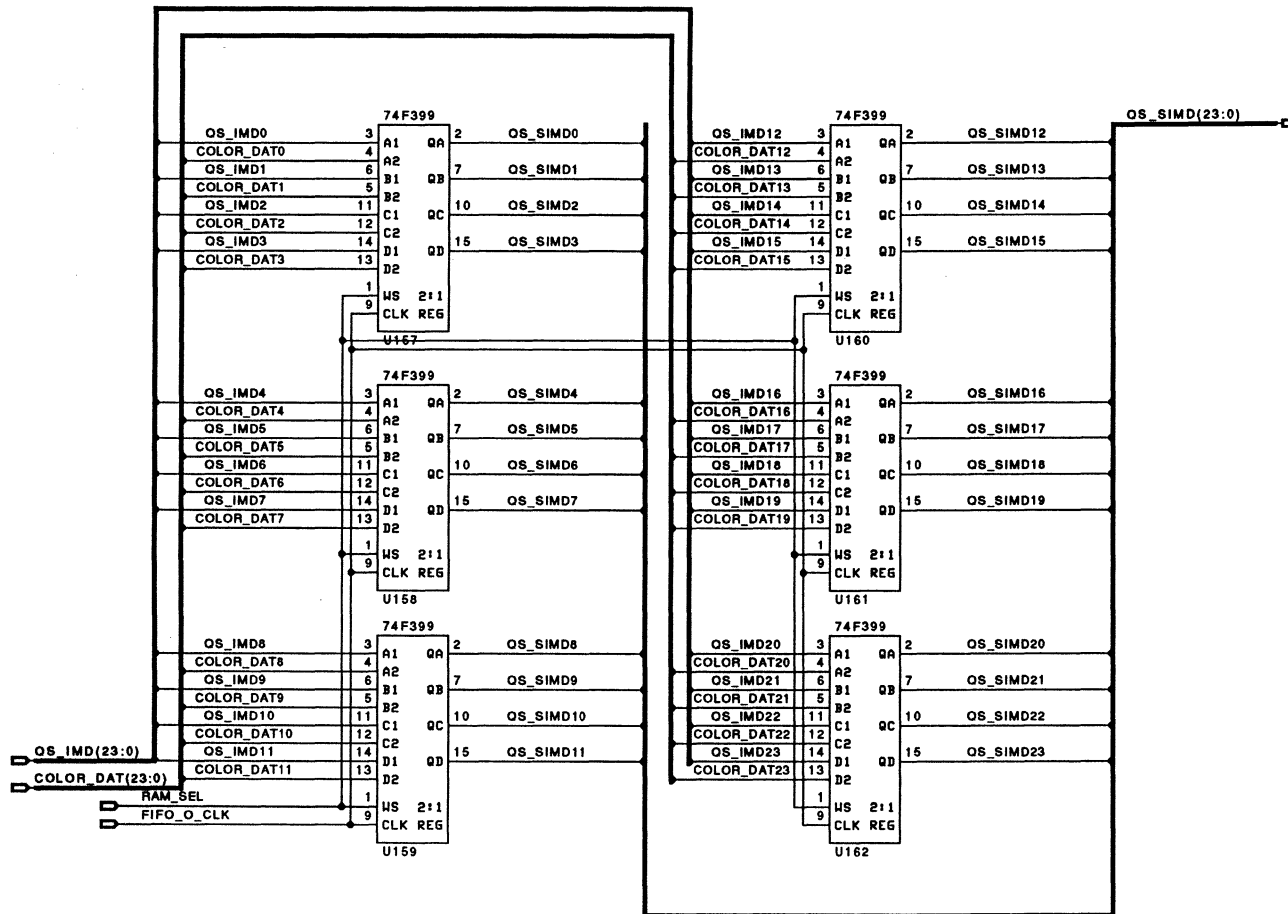
DRAWING NUMBER: XXX-XXXX-X	APPLE COMPUTER, INC.
REV: 1.0 DATE: 8-June-1988	
ENGINEER: Steve Roskowski	Ground Zero
DRAWN BY: Steve Roskowski	THE-BLOCK-TITLE
GROUP: System Extension	THE-PAGE-TITLE
SHEET: 30 OF: 46 SIZE: D	
PATH: @GND_ZERO/OUTPUT/DATA_PATH/PIPE1 (1/1)	



DRAWING NUMBER: XXX-XXXX-X	APPLE COMPUTER, INC.
REV: 1.0 DATE: 8-June-1988	Ground Zero
ENGINEER: Steve Roskowski	THE-BLOCK-TITLE
DRAWN BY: Steve Roskowski	THE-PAGE-TITLE
GROUP: System Extension	
SHEET: 31 OF: 46 SIZE: D	
PATH: @GND_ZERO/OUTPUT/DATA_PATH/PIPE1/FIFOS (1/1)	

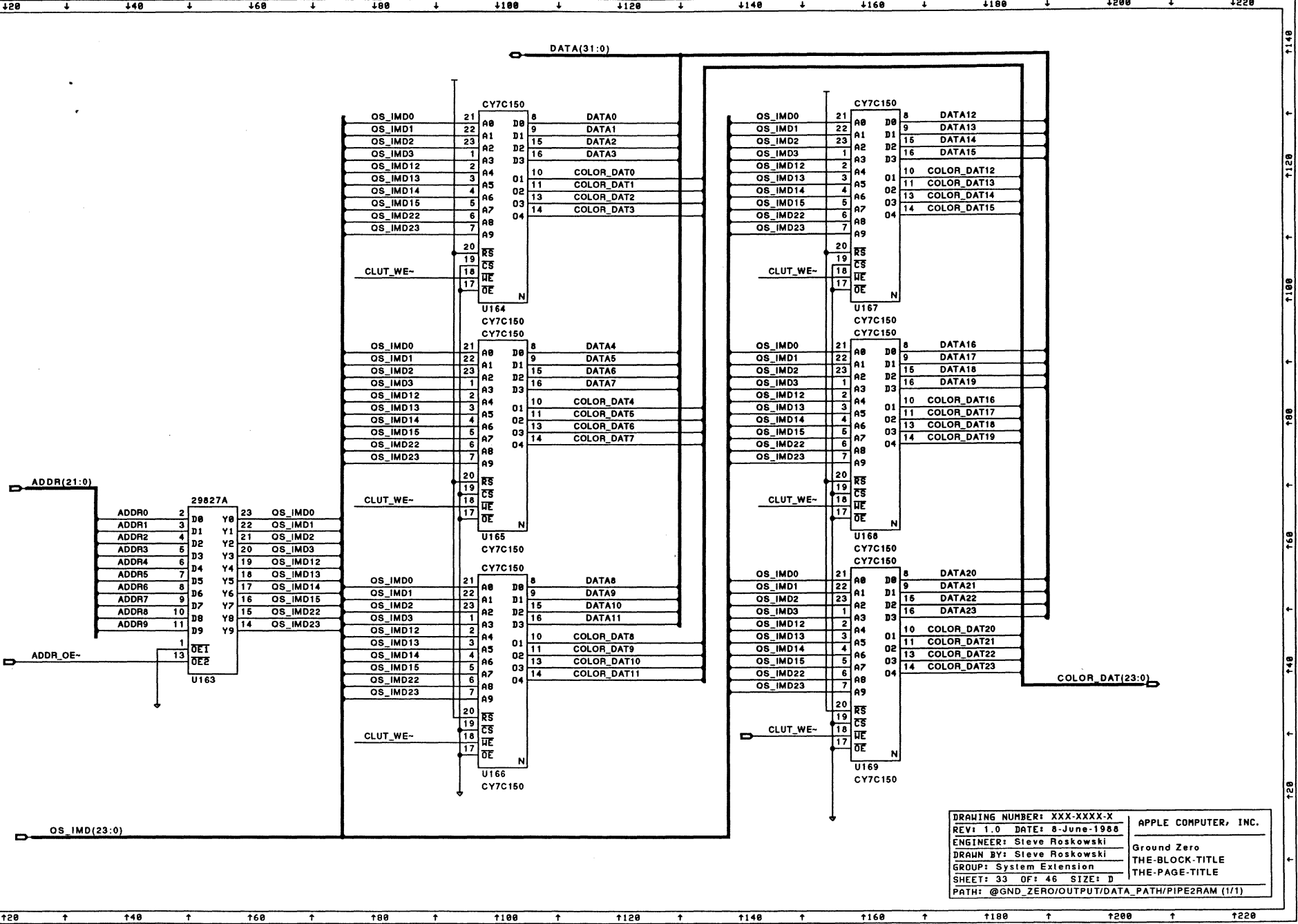
↓ 128 ↓ 140 ↓ 160 ↓ 180 ↓ 100 ↓ 120 ↓ 140 ↓ 160 ↓ 180 ↓ 200 ↓ 220

↑ 1140 ↑ 1120 ↑ 1100 ↑ 1080 ↑ 1060 ↑ 1040 ↑ 1020



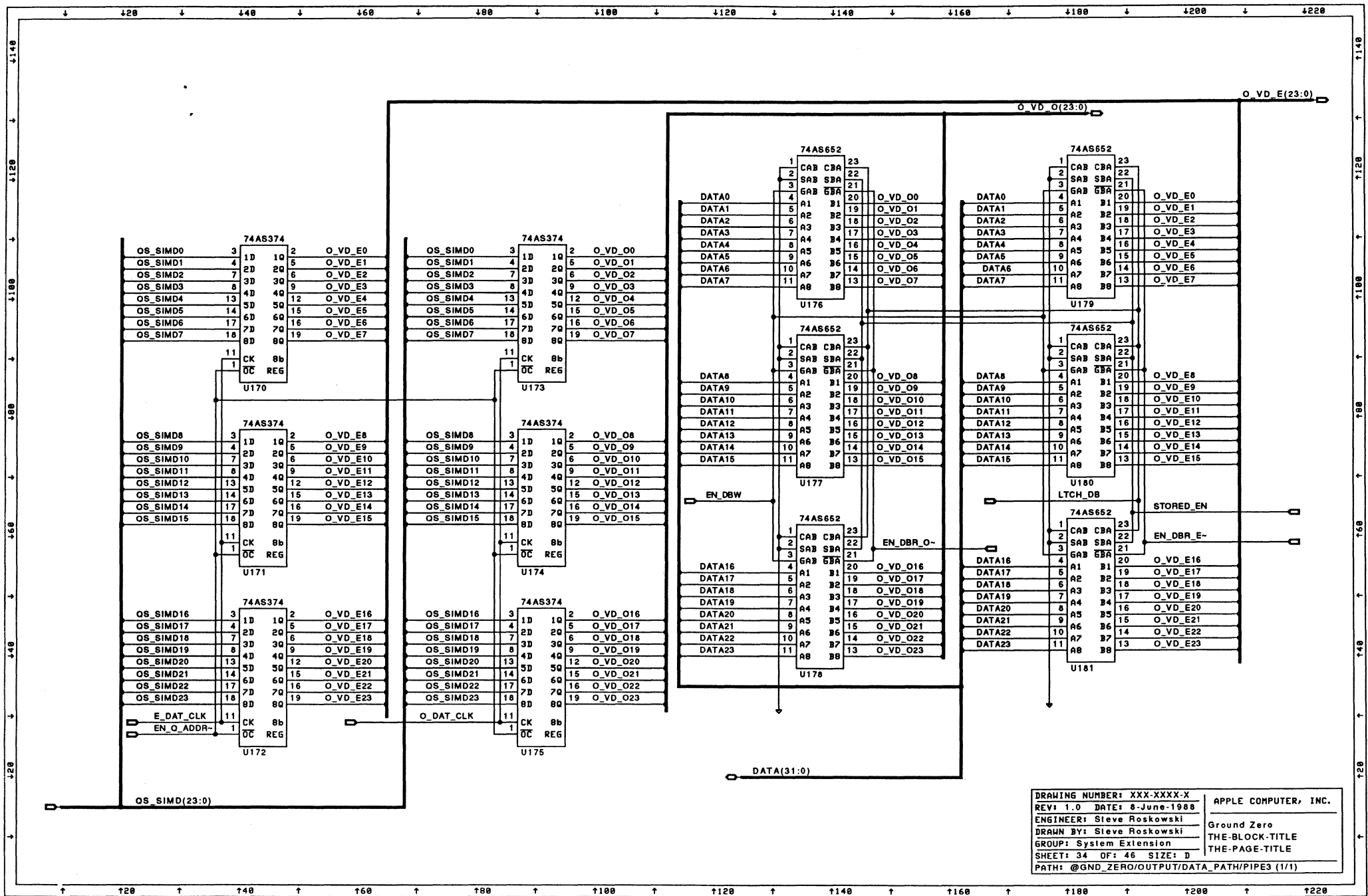
DRAWING NUMBER: XXX-XXXX-X	APPLE COMPUTER, INC.
REV: 1.0 DATE: 8-June-1988	Ground Zero
ENGINEER: Steve Roskowski	THE-BLOCK-TITLE
DRAWN BY: Steve Roskowski	THE-PAGE-TITLE
GROUP: System Extension	SHEET: 32 OF: 46 SIZE: D
PATH: @GND_ZERO/OUTPUT/DATA_PATH/PIPE2BUFF (1/1)	

↑ 120 ↑ 140 ↑ 160 ↑ 180 ↑ 100 ↑ 120 ↑ 140 ↑ 160 ↑ 180 ↑ 200 ↑ 220

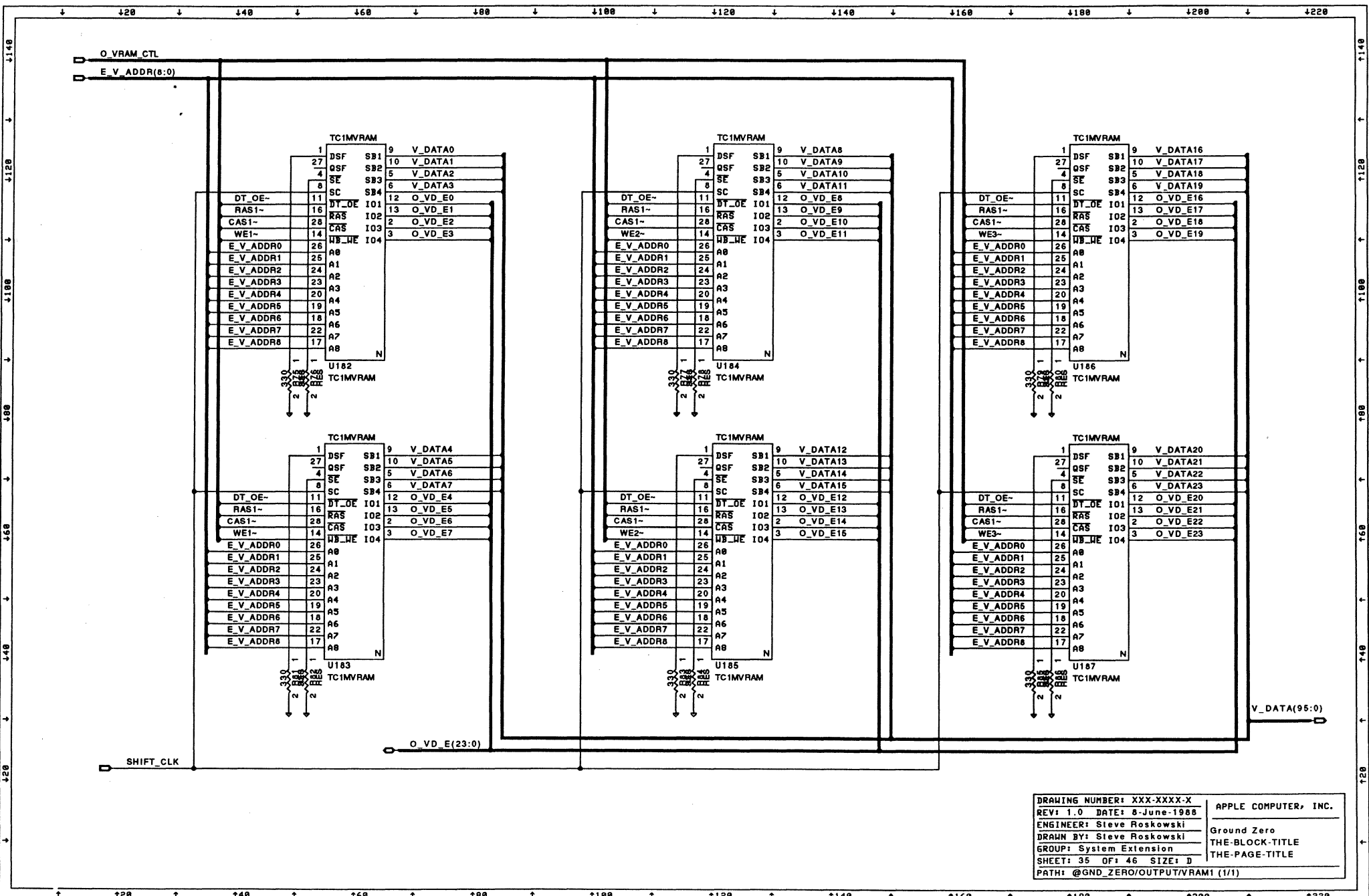


DRAWING NUMBER: XXX-XXXX-X
 REV: 1.0 DATE: 8-June-1988
 ENGINEER: Steve Roskowski
 DRAWN BY: Steve Roskowski
 GROUP: System Extension
 SHEET: 33 OF: 46 SIZE: D
 PATH: @GND_ZERO/OUTPUT/DATA_PATH/PIPE2RAM (1/1)

APPLE COMPUTER, INC.
 Ground Zero
 THE-BLOCK-TITLE
 THE-PAGE-TITLE



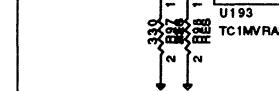
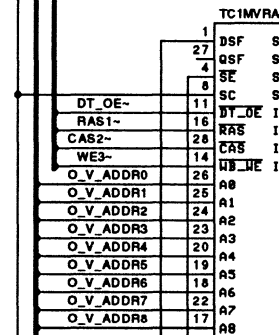
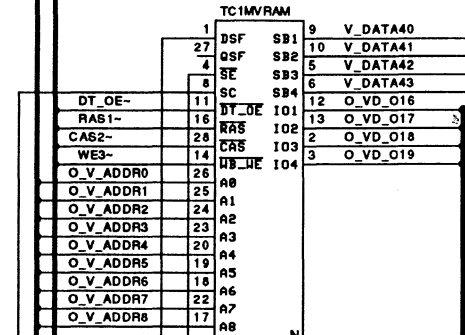
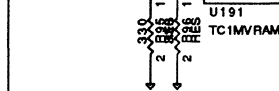
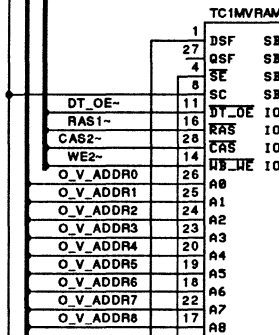
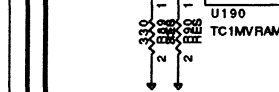
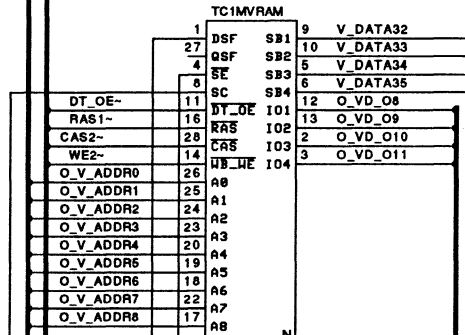
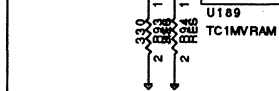
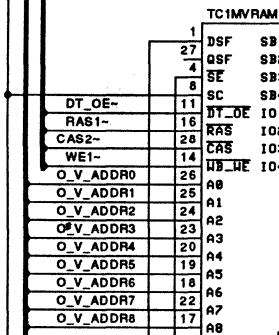
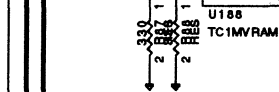
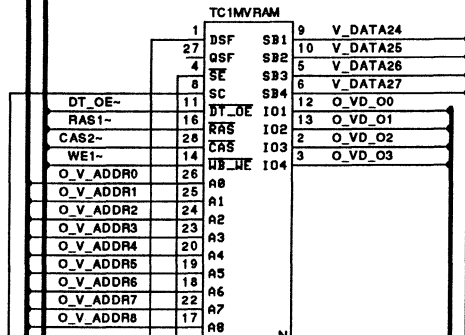
DRAWING NUMBER: XXX-XXXX-X	APPLE COMPUTER, INC.
REV: 1.0 DATE: 8-June-1988	Ground Zero
ENGINEER: Steve Roskowski	THE-BLOCK-TITLE
DRAWN BY: Steve Roskowski	THE-PAGE-TITLE
GROUP: System Extension	
SHEET: 34 OF: 46 SIZE: D	
PATH: @GND_ZERO/OUTPUT/DATA_PATH/PIPE3 (1/1)	



DRAWING NUMBER: XXX-XXXX-X
 REV: 1.0 DATE: 8-June-1988
 ENGINEER: Steve Roskowski
 DRAWN BY: Steve Roskowski
 GROUP: System Extension
 SHEET: 35 OF 46 SIZE: D
 PATH: @GND_ZERO/OUTPUT/VRAM1 (1/1)

APPLE COMPUTER, INC.
 Ground Zero
 THE-BLOCK-TITLE
 THE-PAGE-TITLE

O_VRAM_CTL
O_V_ADDR(8:0)



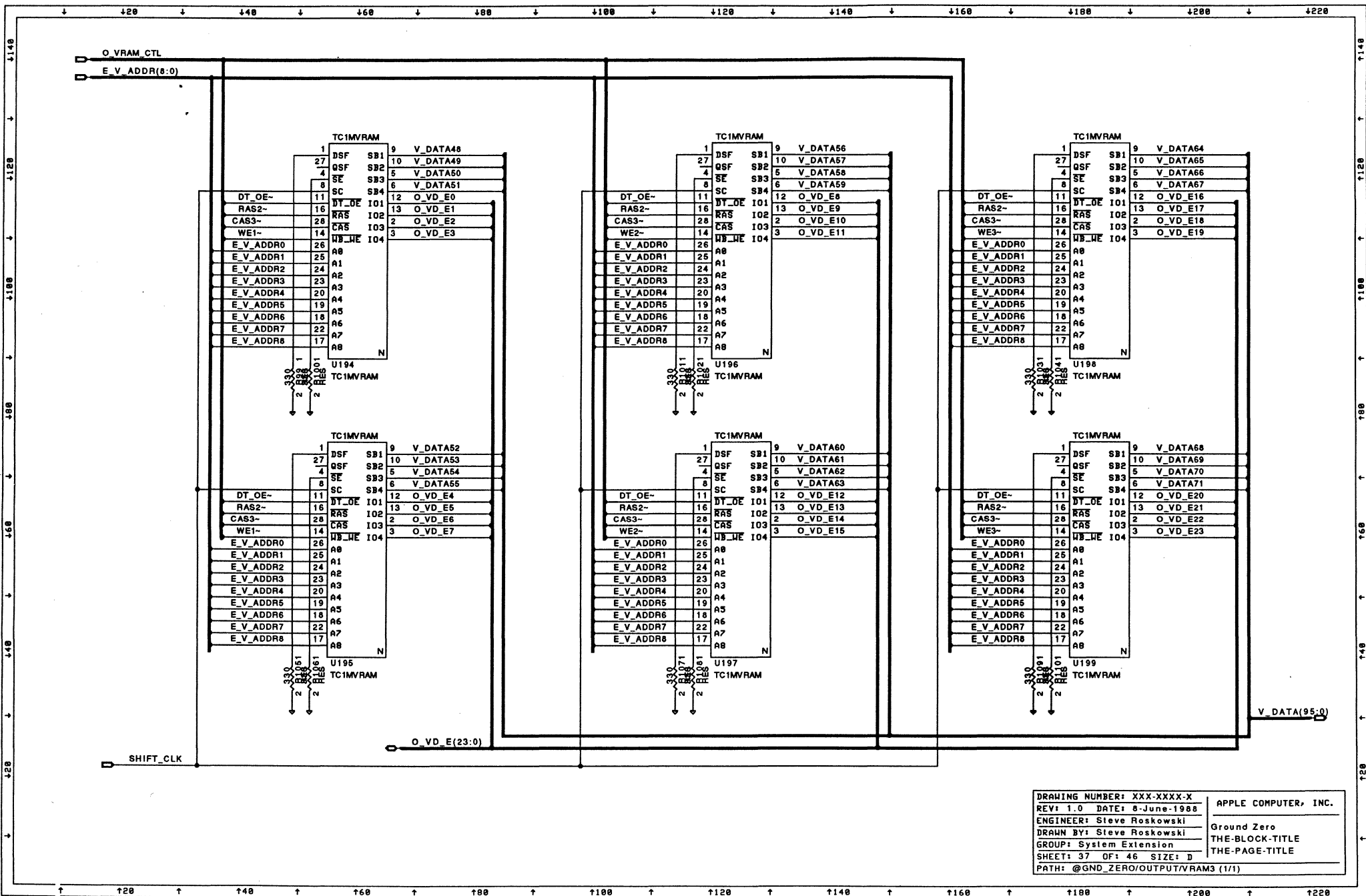
V_DATA(95:0)

O_VD_O(23:0)

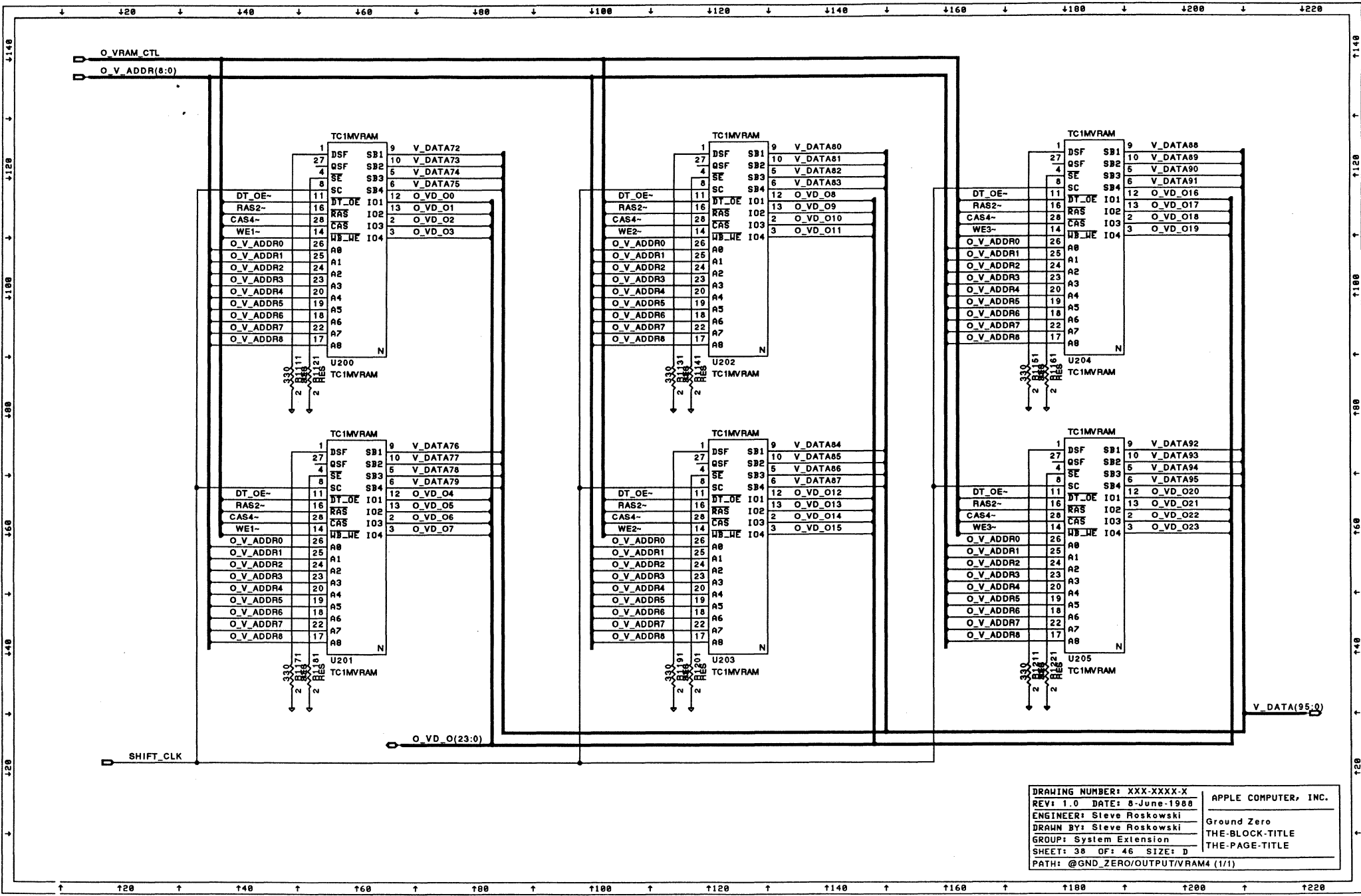
SHIFT_CLK

DRAWING NUMBER: XXX-XXXX-X
REV: 1.0 DATE: 8-June-1988
ENGINEER: Steve Roskowski
DRAWN BY: Steve Roskowski
GROUP: System Extension
SHEET: 36 OF: 46 SIZE: D
PATH: @GND_ZERO/OUTPUT/VRAM2 (1/1)

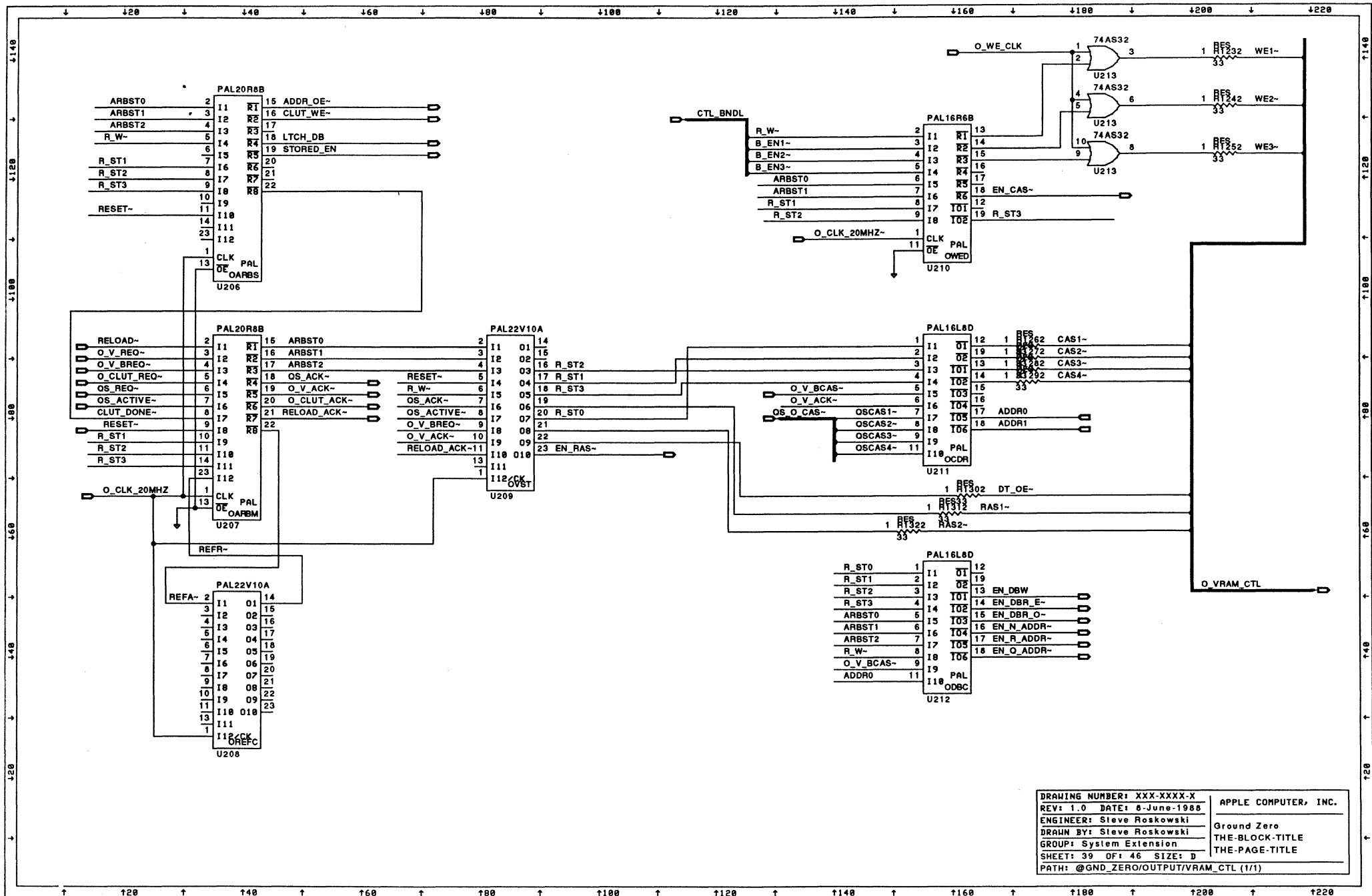
APPLE COMPUTER, INC.
Ground Zero
THE-BLOCK-TITLE
THE-PAGE-TITLE



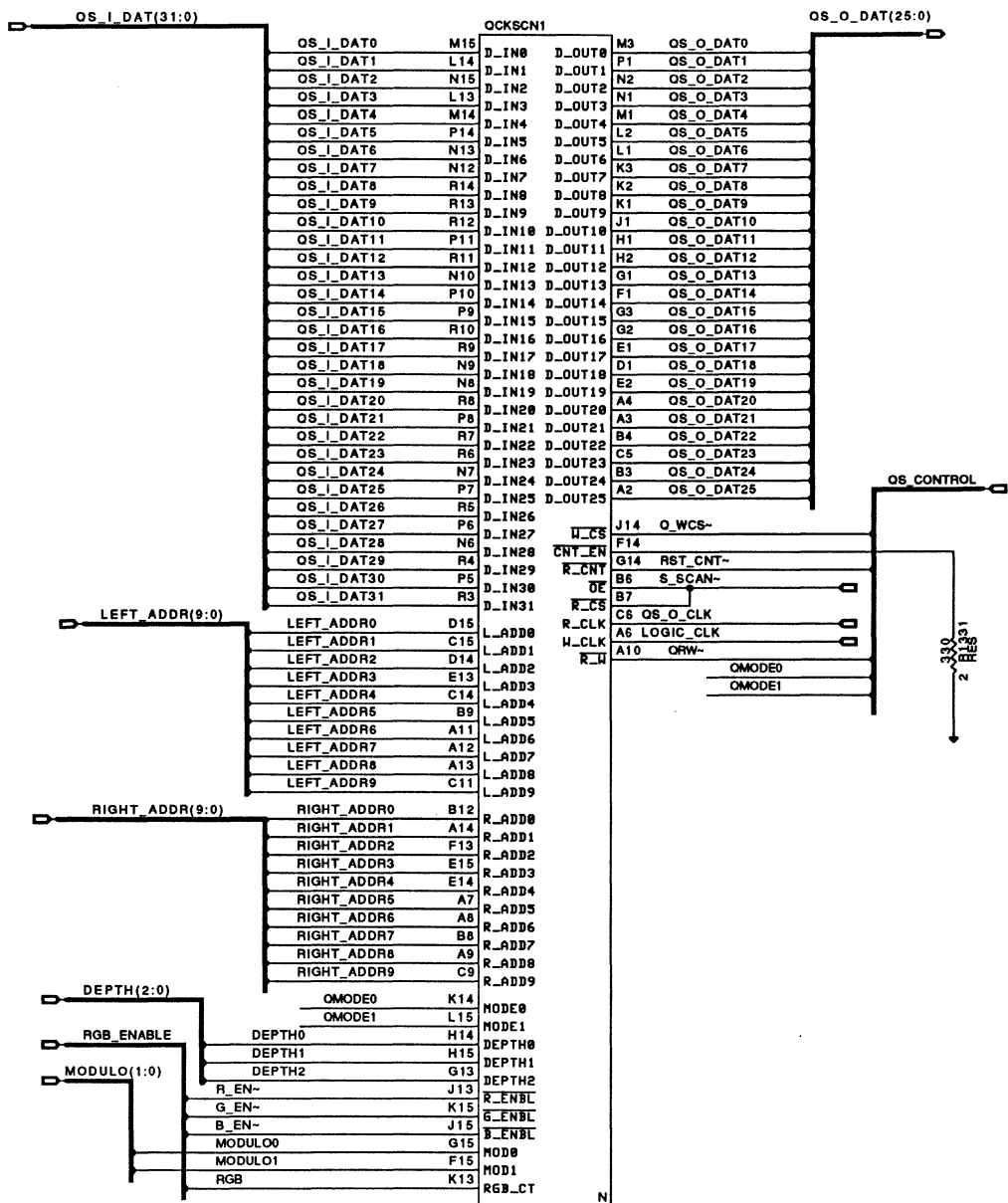
DRAWING NUMBER: XXX-XXXX-X	APPLE COMPUTER, INC.
REV: 1.0 DATE: 8-June-1988	Ground Zero
ENGINEER: Steve Roskowski	THE-BLOCK-TITLE
DRAWN BY: Steve Roskowski	THE-PAGE-TITLE
GROUP: System Extension	
SHEET: 37 OF: 46 SIZE: D	
PATH: @GND_ZERO/OUTPUT/VRAM3 (1/1)	



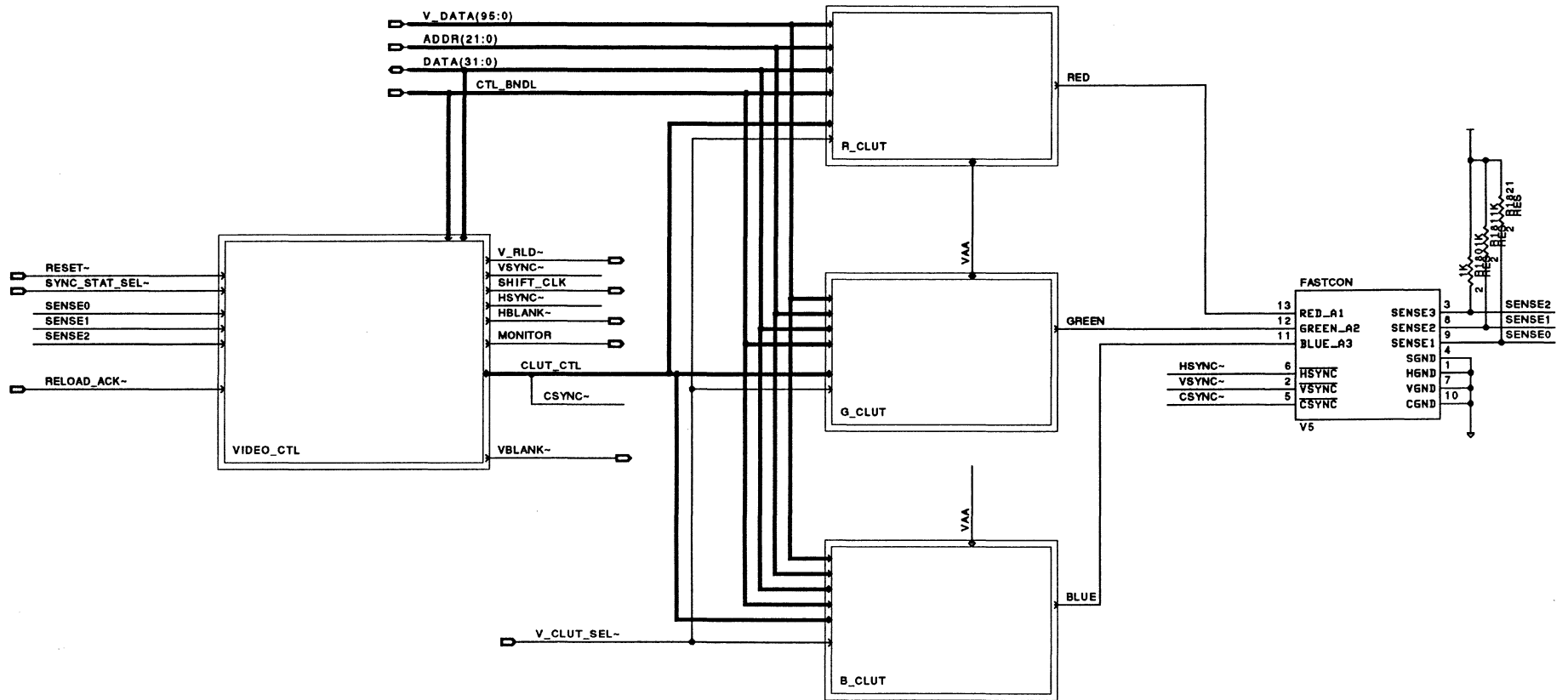
DRAWING NUMBER: XXX-XXXX-X	APPLE COMPUTER, INC.
REV: 1.0 DATE: 8-June-1988	Ground Zero
ENGINEER: Steve Roskowski	THE-BLOCK-TITLE
DRAWN BY: Steve Roskowski	THE-PAGE-TITLE
GROUP: System Extension	
SHEET: 38 OF: 46 SIZE: D	
PATH: @GND_ZERO/OUTPUT/VRAM4 (1/1)	



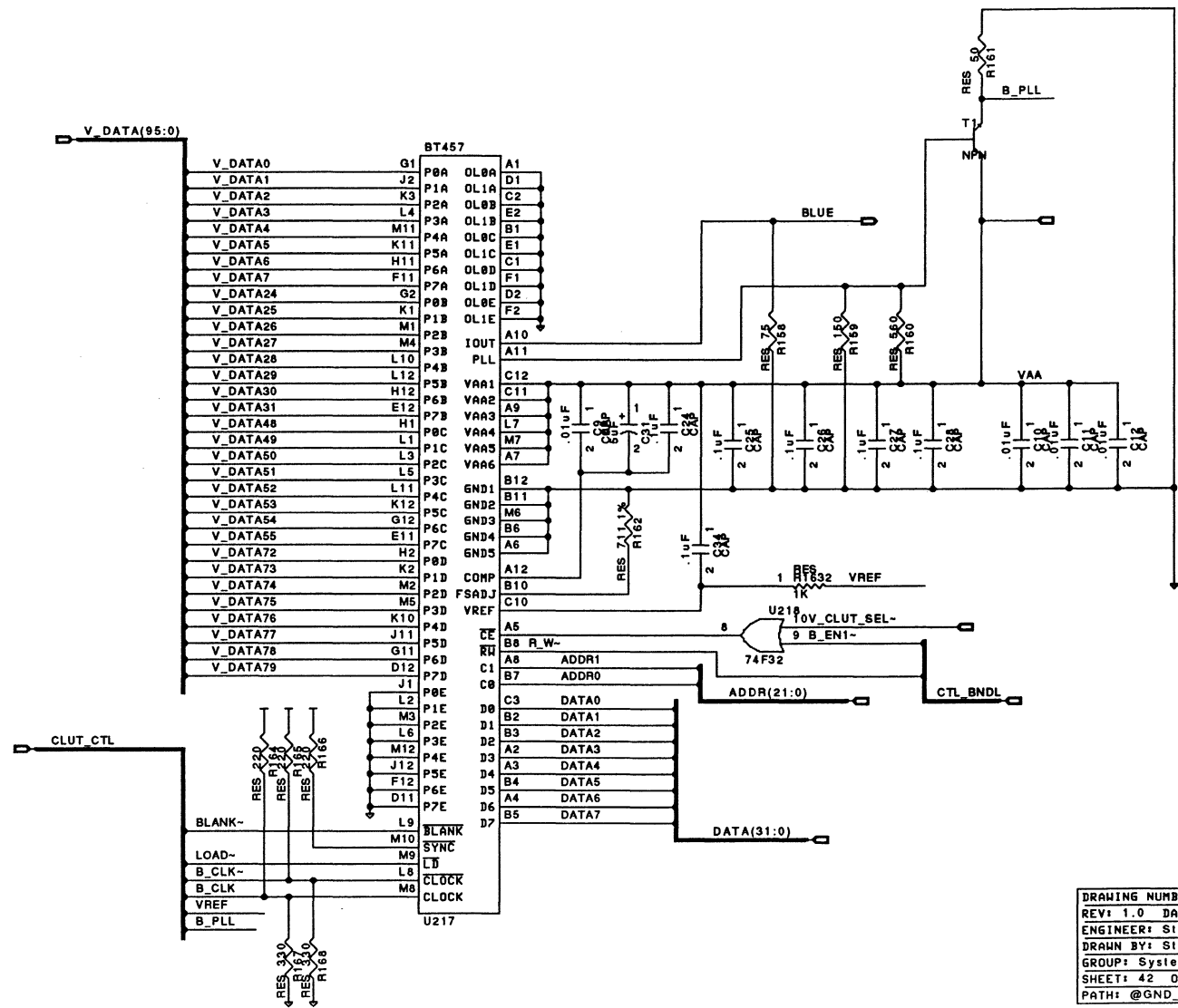
DRAWING NUMBER: XXX-XXXX-X	APPLE COMPUTER, INC.
REV: 1.0 DATE: 6-June-1988	Ground Zero
ENGINEER: Steve Roskowski	THE-BLOCK-TITLE
DRAWN BY: Steve Roskowski	THE-PAGE-TITLE
GROUP: System Extension	
SHEET: 39 OF: 46 SIZE: D	
PATH: @GND_ZERO/OUTPUT/VRAM_CTL (1/1)	



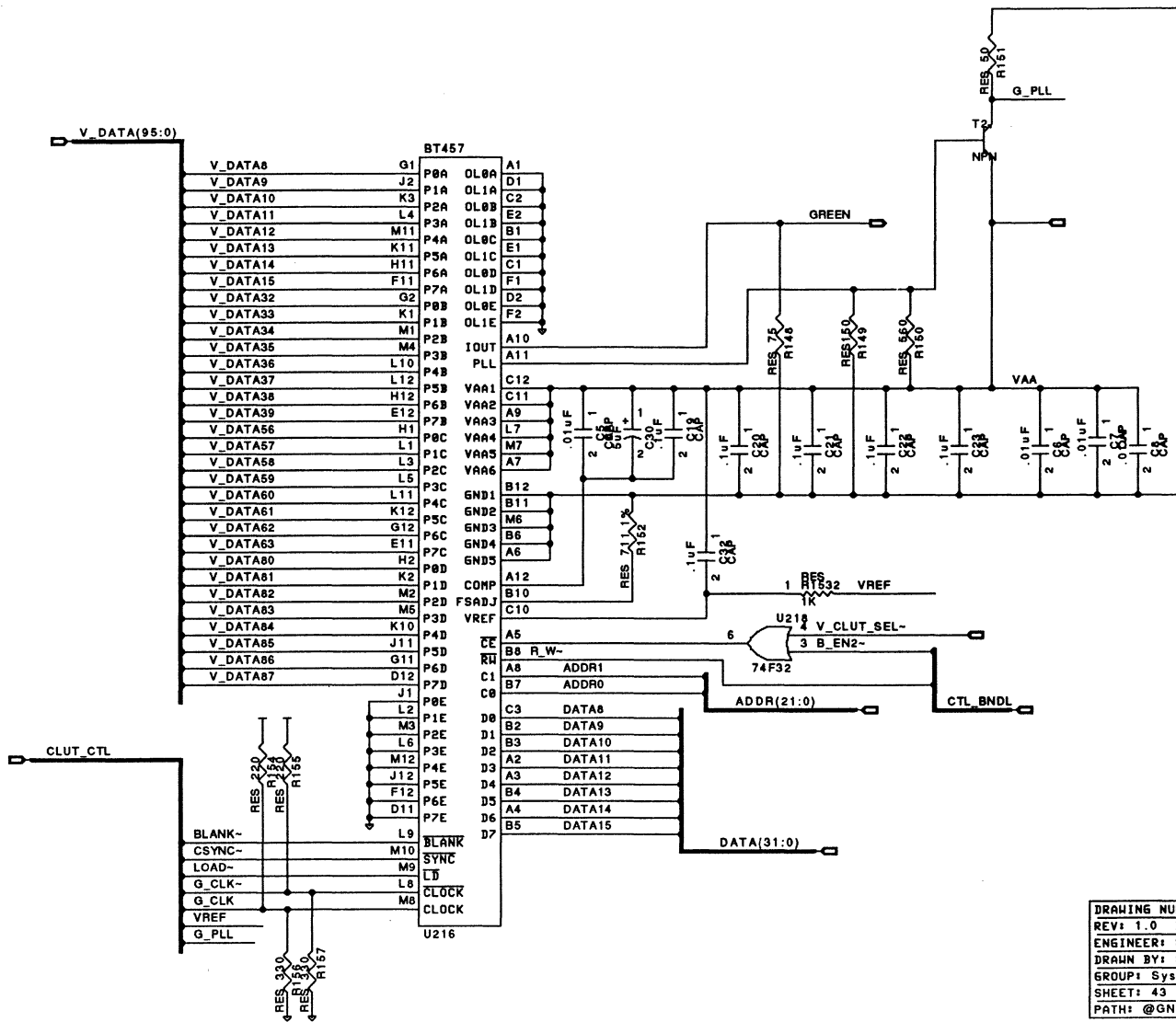
DRAWING NUMBER: XXX-XXXX-X	APPLE COMPUTER, INC.
REV: 1.0 DATE: 8-June-1988	
ENGINEER: Steve Roskowski	Ground Zero
DRAWN BY: Steve Roskowski	THE-BLOCK-TITLE
GROUP: System Extension	THE-PAGE-TITLE
SHEET: 40 OF: 46 SIZE: D	
PATH: @GND_ZERO/QUICKSCAN (1/1)	



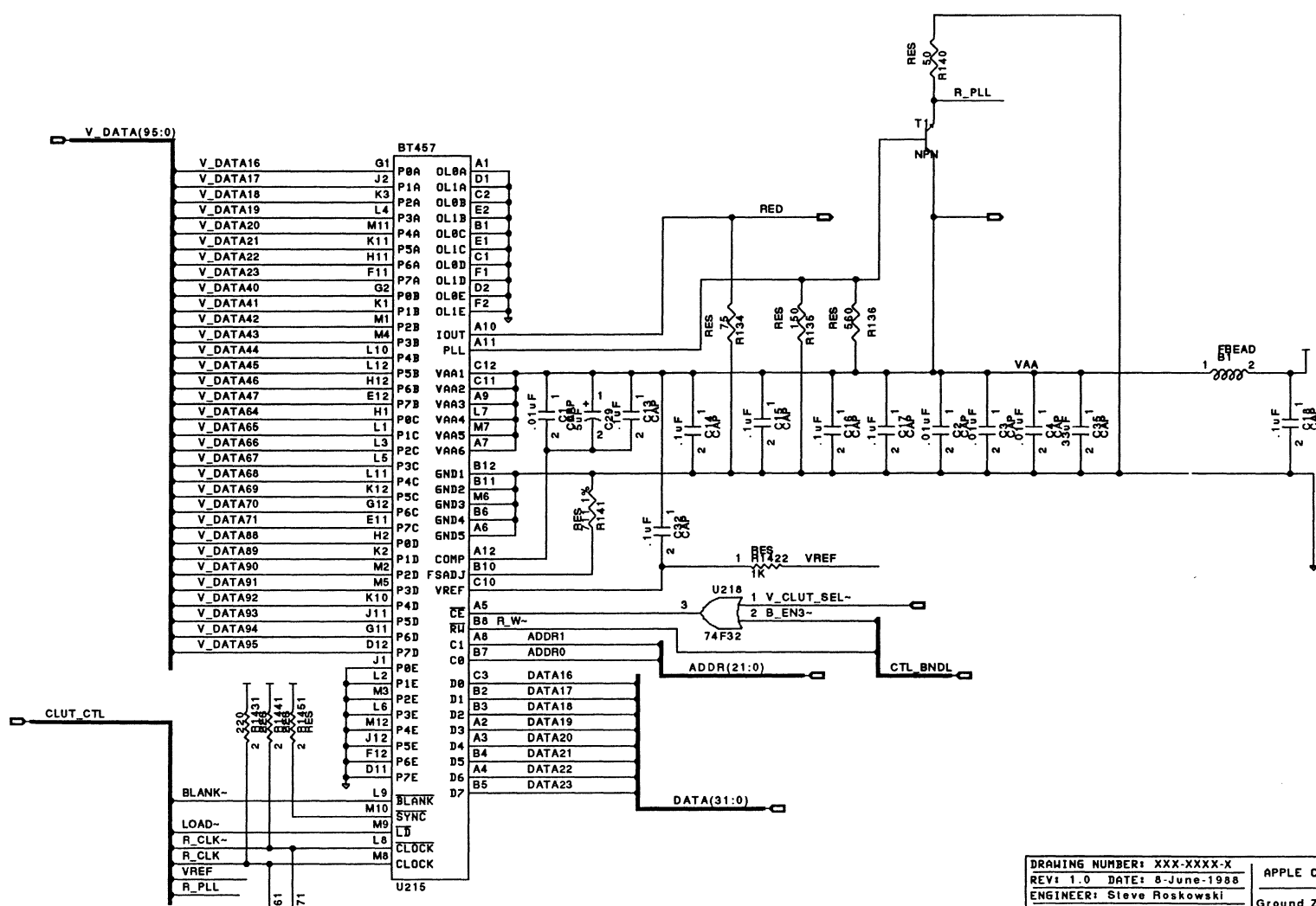
DRAWING NUMBER: XXX-XXXX-X	APPLE COMPUTER, INC.
REV: 1.0 DATE: 8-June-1988	Ground Zero
ENGINEER: Steve Roskowski	THE-BLOCK-TITLE
DRAWN BY: Steve Roskowski	THE-PAGE-TITLE
GROUP: System Extension	
SHEET: 41 OF: 46 SIZE: D	
PATH: @GND_ZERO/VIDEO (1/1)	



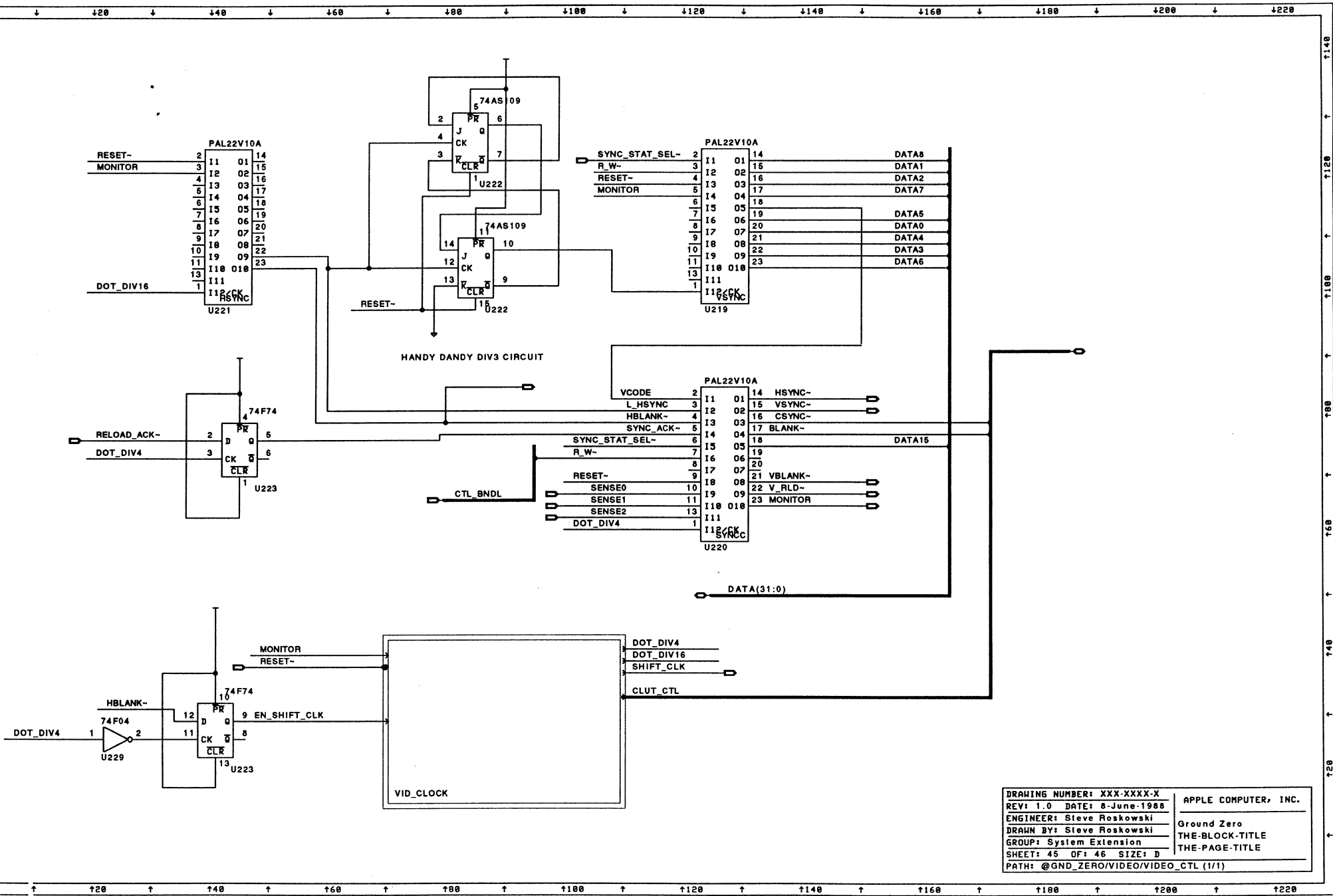
DRAWING NUMBER: XXX-XXXX-X	APPLE COMPUTER, INC.
REV: 1.0 DATE: 8-June-1988	Ground Zero
ENGINEER: Steve Roskowski	THE-BLOCK-TITLE
DRAWN BY: Steve Roskowski	THE-PAGE-TITLE
GROUP: System Extension	
SHEET: 42 OF: 46 SIZE: D	
PATH: @GND_ZERO/VIDEO/B_CLUT (1/1)	



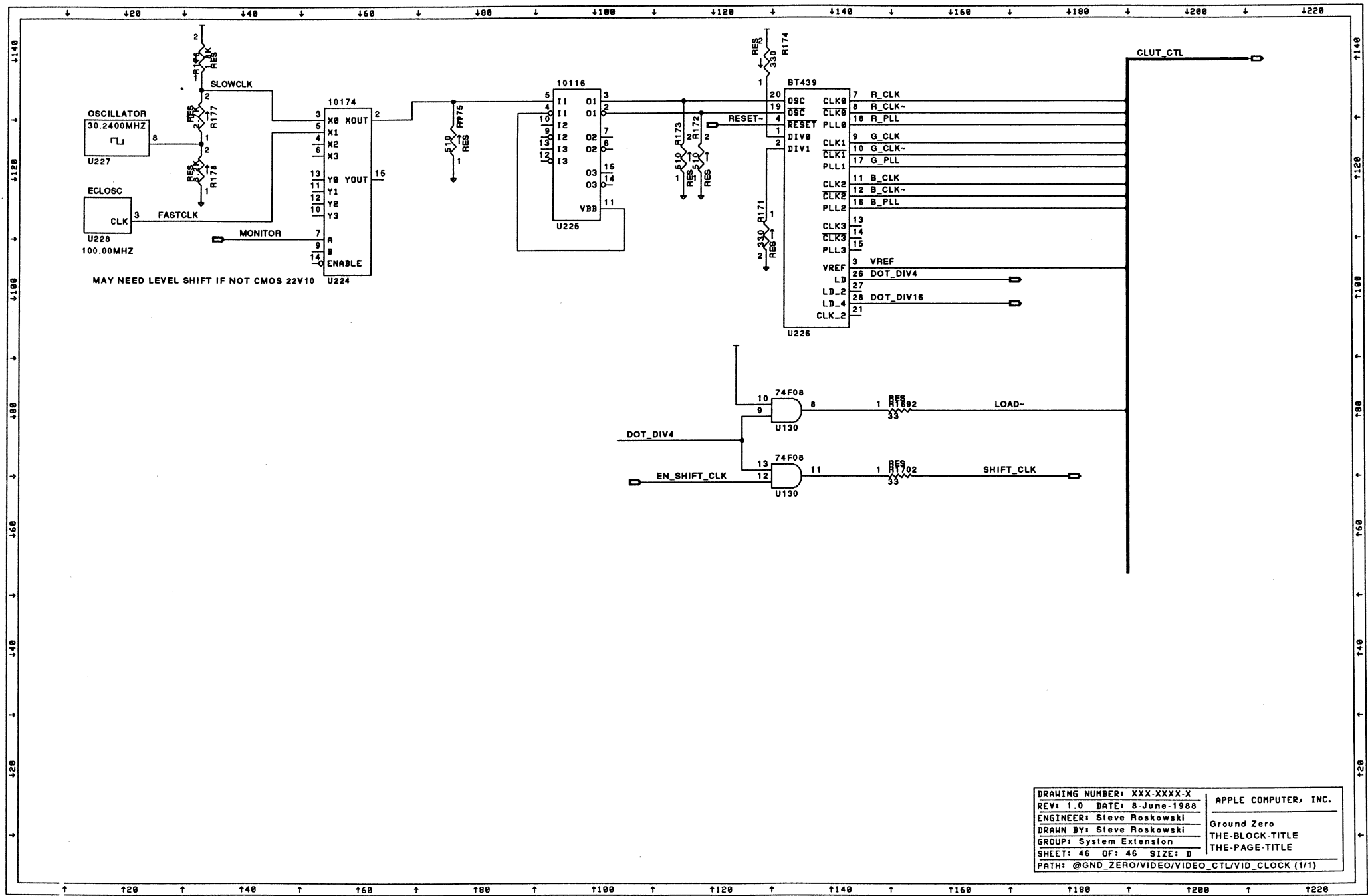
DRAWING NUMBER: XXX-XXXX-X	APPLE COMPUTER, INC.
REV: 1.0 DATE: 8-June-1988	Ground Zero
ENGINEER: Steve Roskowski	THE-BLOCK-TITLE
DRAWN BY: Steve Roskowski	THE-PAGE-TITLE
GROUP: System Extension	
SHEET: 43 OF: 46 SIZE: D	
PATH: @GND_ZERO/VIDEO/G_CLUT (1/1)	



DRAWING NUMBER: XXX-XXXX-X	APPLE COMPUTER, INC.
REV: 1.0 DATE: 8-June-1988	Ground Zero
ENGINEER: Steve Roskowski	THE-BLOCK-TITLE
DRAWN BY: Steve Roskowski	THE-PAGE-TITLE
GROUP: System Extension	
SHEET: 44 OF: 46 SIZE: D	
PATH: @GND_ZERO/VIDEO/R_CLUT (1/1)	



DRAWING NUMBER: XXX-XXXX-X	APPLE COMPUTER, INC.
REV: 1.0 DATE: 8-June-1988	Ground Zero
ENGINEER: Steve Roskowski	THE-BLOCK-TITLE
DRAWN BY: Steve Roskowski	THE-PAGE-TITLE
GROUP: System Extension	
SHEET: 45 OF: 46 SIZE: D	
PATH: @GND_ZERO/VIDEO/VIDEO_CTL (1/1)	



DRAWING NUMBER: XXX-XXXX-X	APPLE COMPUTER, INC.
REV: 1.0 DATE: 8-June-1988	Ground Zero
ENGINEER: Steve Roskowski	THE-BLOCK-TITLE
DRAWN BY: Steve Roskowski	THE-PAGE-TITLE
GROUP: System Extension	
SHEET: 46 OF: 46 SIZE: D	
PATH: @GND_ZERO/VIDEO/VIDEO_CTL/VID_CLOCK (1/1)	