

*Continental United States Product Price List*

*Effective July 1988*



apollo



## *Apollo Delivers Standard, Open, Performance Computing*

### **INTRODUCTION**

Since its inception as the pioneer of the workstation industry and throughout its history, Apollo has, and will continue in the future, to deliver the, standard, open, performance computing environment to the technical and business professional at the best price/performance available in the industry. To achieve this Apollo combines state of the art technological developments, industry standard commodity technology, open system architectures, and an industry standard software environment into a broad workstation product offering. Some of the many elements that comprise this product family include:

#### **TECHNOLOGY**

PARALLEL REDUCED INSTRUCTION SET MULTIPROCESSING (*PRISM*)  
MOTOROLA 680X0 MICROPROCESSORS (68030, 68020)  
NETWORK COMPUTING SYSTEMS (NCS)  
OPEN SOFTWARE FOUNDATION (OSF)

#### **OPEN SYSTEM ARCHITECTURES**

IBM PC AT COMPATIBLE BUS  
VME BUS

#### **INDUSTRY STANDARD SOFTWARE ENVIRONMENT**

DOMAIN O/S (DISTRIBUTED UNIX SYSTEM V.3, BERKELEY 4.3)  
OPEN DIALOGUE  
X-WINDOW SYSTEM  
GKS  
PHIGS

Apollo's current family of performance computing products is no exception, delivering from 1.5 to 100 MIPS, allowing users to choose the performance that's the right choice for the right price.

---

APOLLO and Domain are registered trademarks of Apollo Computer Inc. AEGIS, Domain/ACCESS, Domain/BRIDGE, Domain/C, Domain/ComController, Domain/CORE, Domain/DPL, Domain/DIALOGUE, Domain/IX, Domain/LASER-26, Domain/LISP, Domain/PCC, Domain/PAK, Domain/PCI, Domain/SNA, Domain x.25, DPSS, DPSS/MAIL, DSEE, DOMAIN/CommonLISP, DGR, D3M, FPX, GMR, GPR, GSR, NCK, Network Computing Kernel, Network Computing System, Open System Toolkit, Personal Workstation, Personal Super Workstation, Series 3000 and Series 4000 are trademarks of Apollo Computer Inc. UNIX is a trademark of AT&T Bell Laboratories, Inc. VT100 and VAX are registered trademarks and VMS is a trademark of Digital Equipment Corp. MULTIBUS is a trademark of Intel Corp. PostScript is a trademark of Adobe Systems, Inc. ETHERNET is a registered trademark of Xerox Corp. IBM is a registered trademark of International Business Machines Corp. TEKTRONIX is a registered trademark of Tektronix, Inc. Interleaf and WPS are trademarks of Interleaf, Inc., NFS is a trademark of SUN Microsystems Inc., Ailis is a trademark of Applix, Inc.



## **PRODUCTS**

Apollo's current product line consists of six (6) basic products:

**DOMAIN SERIES 3000**

**DOMAIN SERIES 3500**

**DOMAIN SERIES 4000**

**DOMAIN SERIES 4500**

**DOMAIN SERIES 500 Turbo**

**DOMAIN SERIES 10000**

Based on an open system architecture, all these products offer a wide range of configuration options, such as increased memory, mass storage capacity, monochrome or color, low or high resolution graphics, and choice of networks, to allow the user to tailor the system to fit their needs.



## DOMAIN SERIES 3000

The Domain Series 3000 is Apollo's entry level, low cost, desktop workstation. It delivers a full, industry standard UNIX environment, with an industry standard expansion bus for under \$5,000. It's features include:

### DN3000

PERFORMANCE:	1.5 MIPS
CPU:	12 Mhz MC68020 12 Mhz MC68881
MEMORY:	4-8 MB
GRAPHICS:	
MONO:	15", 1024 X 800 19", 1280 X 1024
COLOR:	15" or 19", 1024 X 800, 4-plane or 8-plane
MASS STORAGE:	155MB or 348MB ESDI Floppy or Cartridge Tape
NETWORK:	Apollo Token Ring or Ethernet
EXPANSION BUS:	7-slot IBM PC AT Compatible Bus
OPTIONS:	Personal Computer Co-processor ( PCC ) Serial/Parallel Expansion Board ( SPE )

Monochrome configurations with a disk range from \$8,500 to \$15,500, while color configurations with a disk range from \$12,400 to \$23,800. Specific pricing can be found on page 4.

## DOMAIN SERIES 3500

The Domain Series 3500 offers a 4 MIPS, desktop, UNIX environment with an industry standard expansion bus that starts at under \$8,000 for an entry level monochrome configuration and under \$10,000 for an entry level color configuration. To achieve this incredible price/performance Apollo used the most advanced commodity microprocessor available, in volume, in the marketplace, the Motorola 25Mhz 68030 and 68882 floating point co-processor, furthering Apollo's leading technology posture in the industry. Other features include:

### DN3500

PERFORMANCE:	4 MIPS
CPU:	25 Mhz MC68030 25 Mhz MC68882
MEMORY:	4-32 MB
GRAPHICS:	
MONO:	15", 1024 X 800 19", 1280 X 1024
COLOR:	15" or 19", 1024 X 800, 4-plane or 8-plane 19", 1280 X 1024, 8-plane, 2-D accelerated
MASS STORAGE:	155MB, 348MB or dual 348MB ESDI Floppy or Cartridge Tape
NETWORK:	Apollo Token Ring or Ethernet
EXPANSION BUS:	7-slot IBM PC AT Compatible Bus
OPTIONS:	Floating Point Accelerator ( FPA ) Personal Computer Co-processor ( PCC ) Serial/Parallel Expansion Board ( SPE )

Monochrome configurations with disk range from \$12,500 to \$18,500, while color configurations with disk range from \$14,500 to \$28,900. Specific pricing can be found on page 12.

## DOMAIN SERIES 4000

The Domain Series 4000 is Apollo's standard, proven 4 MIPS desktop workstation. It continues to be the performance workhorse in delivering computational power to the desktop. With its standard UNIX environment and open architecture, it allows users the flexibility to meet all of their needs. Features include:

### DN4000

PERFORMANCE:	4 MIPS
CPU:	25 Mhz MC68020 25 Mhz MC68881
MEMORY:	4-32 MB
GRAPHICS:	
MONO:	19", 1280 X 1024
COLOR:	15" or 19", 1024 X 800, 8-plane 19", 1280 X 1024, 8-plane, 2-D accelerated
MASS STORAGE:	155MB, 348MB or dual 348MB ESDI Floppy or Cartridge Tape
NETWORK:	Apollo Token Ring or Ethernet
EXPANSION BUS:	7-slot IBM PC AT Compatible Bus
OPTIONS:	Floating Point Accelerator ( FPA ) Personal Computer Co-processor ( PCC ) Serial/Parallel Expansion Board ( SPE )

Monochrome configurations with disk range from \$12,500 to \$18,500, while color configurations with disk range from \$18,500 to \$30,500. Specific pricing can be found on page 24.



## DOMAIN SERIES 4500

The Domain Series 4500 is Apollo's most powerful desktop, UNIX workstation, delivering a full 7 MIPS to the user. To deliver this level of performance without having to introduce incompatible architectures into its personal workstation family of products, Apollo used the Motorola 33 Mhz 68030 and 68882 floating point co-processor, the most powerful compatible CPU on the market. Apollo also implemented other design advances of its own such as; a large physical cache to maintain no wait state operation and interleaved memory to maximize memory bandwidth to the CPU, to optimize performance. The DN4500 features include:

### DN4500

PERFORMANCE:	7 MIPS
CPU:	33 Mhz MC68030 33 Mhz MC68882 64KB Physical Cache
MEMORY:	8-32 MB ( two-way interleaved )
GRAPHICS:	
MONO:	19", 1280 X 1024
COLOR:	19", 1024 X 800, 8-plane 19", 1280 X 1024, 8-plane, 2-D accelerated
MASS STORAGE:	155MB, 348MB or dual 348MB ESDI Floppy or Cartridge Tape
NETWORK:	Apollo Token Ring or Ethernet
EXPANSION BUS:	7-slot PC AT Compatible Bus
OPTIONS:	Floating Point Accelerator ( FPA ) Personal Computer Co-processor ( PCC ) Serial/Parallel Expansion Board ( SPE )

Entry level monochrome configurations begin at under \$19,000, while entry level color configurations begin at under \$25,000. Monochrome configurations with disk range from \$23,500 to \$28,500, while color configurations with disk range from \$29,500 to \$38,500. Specific pricing can be found on page 29.

## DOMAIN SERIES 500 Turbo

The Domain Series 590 Turbo product is Apollo's 3-D graphics workstation offering. It offers users full 3-D graphics capabilities such as either 24-plane true color operation, or 8-plane pseudo color, double buffer operation, all with a 16-bit Z-buffer for hidden surface removal. It is part of the Domain Series 500 Turbo product line which also includes two 2-D, 8-plane graphics products, the DN580T and the DN570T, both of which deliver high speed, 2-D graphics, capabilities. Configurations include :

### DN500T

PERFORMANCE:	DN590T	130,000 3-D Vectors/sec. 5,000 Polygons/sec
	DN580T	150,000 2-D Vectors/sec
	DN570T	40,000 2-D Vectors/sec
CPU:		20 Mhz MC68020 20 Mhz MC68881 16KB Physical Cache Floating Point Accelerator ( FPA )
MEMORY:		8-16 MB
GRAPHICS:		19", 1280 X 1024
	DN590T	24-plane color 16-bit Z-buffer 3-D Graphics Accelerator ( 3DGA )
	DN580T	8-plane color
	DN570T	8-plane color
MASS STORAGE:		155MB, 348MB or dual 348MB ESDI 442MB to 1768MB SMD Cartridge Tape
NETWORK:		Apollo Token Ring or Ethernet
EXPANSION BUS:		4-slot MULTIBUS or 4-slot VME Bus

Configurations range from the entry level with 8MB and 155MB of disk at \$70,000 to maximum configurations over \$100,000. Specific pricing can be found on page 39.

## DOMAIN SERIES 10000

The Domain Series 10000 is Apollo's top of the line in terms of performance and technological leadership. Based on the PRISM ( Parallel Reduced Instruction Set Multiprocessing) architecture, the Domain Series 10000 is truly a personal supercomputer, putting 15 to 100 MIPS in an office environment under a desk. Even more remarkable is that it runs industry standard UNIX environments and is compatible with all other Apollo workstations, allowing users transparent access to unprecedented performance. Specific features include:

### DN10000

PERFORMANCE:	15 to 100 MIPS
CPU:	<i>PRISM</i> Architecture 1-4 Processors ( multiprocessing ) 128KB Physical Instruction Cache per CPU 64KB Physical Data Cache per CPU
MEMORY:	8-128 MB ( four-way interleaved )
GRAPHICS:	19", 1024 X 800, 8-plane, color
MASS STORAGE:	348MB to 1.4GB ( disk striping ) Floppy or Cartridge Tape
NETWORK:	Apollo Token Ring or Ethernet
EXPANSION BUS:	6-slot VME Bus and 4-slot IBM PC AT Compatible Bus

Prices start with the entry level server configuration with 8MB and 348MB of disk at \$70,000 and range in maximum configurations to over \$250,000, which is a small price to pay for 100 MIPS under the desk. Specific pricing can be found on page 34.

## **SUMMARY**

As you can see Apollo does deliver the broadest range of standard, open, performance computing in the industry, from 1.5 to 100 MIPS. With full compatibility and the widest range of options you can easily configure any one of our workstations to meet your needs. This price list is available to help you do just that; to choose the right workstation at the right price.

So don't miss your chance to deliver standard, open, performance computing in your environment today. Configure a workstation or workstations and call your Apollo sales representative today for immediate delivery.





## DOMAIN SYSTEM WORKSTATIONS

### OPTIONS & PERIPHERALS

All Domain® Workstations include a high performance 32-bit processor, memory management unit, a local area network interface and an integrated high resolution bit-mapped graphics display with detachable keyboard. A license, pursuant to Apollo's then current applicable software license terms and conditions to use the operating system is granted by Apollo with each node. The operating system features three environments - System V, BSD, and Aegis and network-wide virtual memory with a sophisticated display manager. Also included are a font editor, the Domain/DIALOGUE™ and Open Dialogue Runtimes User Interface Management System, high-level language debugger, a software driver for the Apple LaserWriter™ printer, VT100® Emulator, Open System Toolkit and network management utilities. Runtime licenses for GPR, GSR, GMR2D, GMR3D and Domain/PHIGS are also included.

### INTRODUCTION

The List Price and MMC Charge is discountable unless designated by "(N)" in the LIST PRICE Column.

Discount Type is designated by "(1)", "(2)", or "(3)" after the dollar amount in the LIST PRICE Column.

For applicable discounts which apply to Type (1), Type (2) and Type (3) Products, refer to the Discount Schedule of Apollo's OEM/System Builder Agreement or Volume Purchase Agreement.

MMC = Monthly Maintenance Charge

Category (A): Products which do not include media and documentation updates as part of the Monthly Maintenance Charge

Category (B): Products which include media and documentation updates as part of the Monthly Maintenance Charge.

FIC = Field Installation Charge. N/A = Not Applicable.

THIS PRICE LIST IS PROVIDED FOR INFORMATION PURPOSES AND IS SUBJECT TO CHANGE WITHOUT NOTICE. FOR A FORMAL QUOTE OF THESE PRODUCTS PLEASE CONTACT THE NEAREST APOLLO SALES OFFICE. THE SALE OF EQUIPMENT AND LICENSE OF APOLLO'S PROPRIETARY SOFTWARE PROGRAMS SHALL BE GOVERNED BY APOLLO'S THEN CURRENT APPLICABLE TERMS AND CONDITIONS.

### CONFIGURING AND ORDERING EQUIPMENT

When placing an order for equipment, it is necessary to adhere to the following configuration guidelines:

- A. An Apollo Model Number, Description and Price must accompany each item.
- B. The prerequisite column is provided to indicate the proper equipment required with each item. N/A indicates that no prerequisite is applicable.
- C. On all orders, Apollo requires that the configuration for each node or server be identified separately. The node or server model number must be listed first followed by the model number of each option as aligned in the price list, that is, list the add-on memory option first, system options second, etc. software is listed last. This permits Apollo to configure each node or server with the option requested. e.g.:

Node/Server #	Item #	Model #	Description	Qty	Price
1	1	DN3010-M1-19-R-4	DN3000 Monochrome Workstation	1	\$x.xx
	2	DN3CK-NA	Keyboard, Keyboard Cable, Mouse Country-specific Power Cord	1	\$x.xx
2	3	DSP90-2MB	DSP90 Server Processor	1	\$x.xx
	4	MSD-500M	Storage Disk with 500MB Capacity	1	\$x.xx
TOTAL					\$X.XX

- D. When ordering software you must add the appropriate media suffix (T = mag tape, F = 8" floppy, H = 5-1/4" floppy and C = cartridge tape) to the model number.
- E. When ordering 50Hz products, please contact Sales Representative to identify power dependent products, model numbers, and associated prices.



# TABLE OF CONTENTS

<i>Description</i>	<i>Page</i>
<b>GENERAL INFORMATION</b>	<b>xii</b>
<b>DOMAIN SERIES 3000</b>	<b>2</b>
Domain Series 3000 Workstation & Server Product Description	2
Domain Series 3000 Prerequisites	2
Country Kits & Cabling	3
Domain Series 3000 Model Number Definition	3
Domain Series 3000 Monochrome Workstation Prices	4
Domain Series 3000 Color Workstation Prices	4
Domain Series 3000 Server Prices	5
Domain Series 3000 Options	6
<b>DOMAIN SERIES 3040</b>	<b>7</b>
Domain Series 3040 Workstation & Server Product Description	7
Domain Series 3040 Prerequisites, Country Kits & Cabling	7
Domain Series 3040 Model Number Definition	8
Domain Series 3040 Color Workstation Prices	9
Domain Series 3040 Server Prices	9
Domain Series 3040 Options	9
<b>DOMAIN SERIES 3500</b>	<b>10</b>
Domain Series 3500 Workstation & Server Product Description	10
Domain Series 3500 Prerequisites	10
Country Kits & Cabling	11
Domain Series 3500 Model Number Definition	11
Domain Series 3500 Monochrome Workstation Prices	12
Domain Series 3500 Color Workstation Prices	13
Domain Series 3500 Server Prices	15
Domain Series 3500 Options	15
<b>DOMAIN SERIES 3500, MODEL 3550</b>	<b>16</b>
Domain Series 3500, Model 3550 Workstation & Server Description	16
Domain Series 3500, Model 3550 Prerequisites, Country Kits & Cabling	16
Domain Series 3500, Model 3550 Model Number Definition	17
Domain Series 3500, Model 3550 Monochrome Workstation Prices	18
Domain Series 3500, Model 3550 Color Workstation Prices	18
Domain Series 3500, Model 3550 Server Prices	19
Domain Series 3500, Model 3550 Options	20
<b>DOMAIN SERIES 4000</b>	<b>21</b>
Domain Series 4000 Workstation & Server Product Description	21
Domain Series 4000 Prerequisites	22
Domain Series 4000 Model Number Definition	23
Domain Series 4000 Monochrome Workstation Prices	24
Domain Series 4000 Color Workstation Prices	24
Domain Series 4000 Server Prices	25
Domain Series 4000 Options	26



## TABLE OF CONTENTS CONT'D

<i>Description</i>	<i>Page</i>
<b>DOMAIN SERIES 4500</b>	<b>27</b>
Domain Series 4500 Workstation & Server Product Description	27
Domain Series 4500 Prerequisites (Country Kits & Cabling)	27
Domain Series 4500 Model Number Definition	28
Domain Series 4500 Monochrome Workstation Prices	28
Domain Series 4500 Color Workstation Prices	29
Domain Series 4500 Server Prices	30
Domain Series 4500 Options	31
 <b>DOMAIN SERIES 10000</b>	 <b>32</b>
Domain Series 10000 Workstation & Server Product Description	32
Domain Series 10000 Prerequisites, Country Kits & Cabling	32
Domain Series 10000 Model Number Definition	33
Domain Series 10000 Server Prices	34
Domain Series 10000 Computational Workstation Prices	35
Domain Series 10000 Options	36
 <b>DN5XXT WORKSTATIONS and SERVERS</b>	 <b>37</b>
DN5XXT Prerequisites, Country Kits & Cabling	37
DN5XXT Workstation & Server Product Description	37
DN590T Workstations Prices	39
DN580T Workstations Prices	39
DN570T Workstations Prices	39
DSP500T Servers Prices	39
 DN5XXT & DSP500T Packaged Systems Options	 40
Memory Expansion	40
Disk Options	40
Other Options	40
Media and Documentation for Operating Systems	40
 <b>PC INTEGRATION PRODUCTS</b>	 <b>41</b>
PC Coprocessor	41
PC Emulator	41
PC Interconnect	41
Corporate Licenses	41
Media & Documentation	41
 <b>SOFTWARE PRODUCTS</b>	 <b>42</b>
Domain Software Programs	42
Bundled Software Programs Definition	42
Bundled Software Program Prices	42
 Node Licenses Definition	 43
Corporate Licenses Definition	43
SR9 vs SR10 Layered Software Products	44
General Note	44
Separately Licensed Software Program Prices	45
Corporate License Prices	47
Media & Documentation Prices	48
Documentation Software Programs	9

## TABLE OF CONTENTS CONT'D

<i>Description</i>	<i>Page</i>
<b>DOMAIN NETWORKING AND COMMUNICATIONS</b>	<b>50</b>
MULTIBUS – Compatible	50
IBM PC/AT Compatible Bus	50
VMEbus	50
Hardware Other	51
Software	51
Corporate License Prices	51
Media & Documentation Prices	51
Network Computing Systems (NCS)	52
Corporate License Prices	52
Media & Documentation Prices	52
Network License Server (NLS)	53
Hardware/Software Packages	53
<b>HARDCOPY DEVICES</b>	<b>54</b>
Hardcopy Devices	54
Hardware Support Applications	55
<b>SOFTWARE PROGRAMS MONTHLY MAINTENANCE CHARGES</b>	<b>56</b>
Software Programs Monthly Maintenance	56
Software Programs Monthly Maintenance Prices	56
<b>DOMAIN APOLLO DOCUMENTATION SUBSCRIPTION SERVICE (ADS)</b>	<b>58</b>
Domain Apollo Documentation Subscription	58

## DOMAIN SERIES 3000 PERSONAL WORKSTATIONS AND SERVERS

Each Domain Series 3000 Personal Workstation and server includes the following:

- MC68020 processor with MC68881 floating point coprocessor
- MC68851 PMMU (Paged Memory Management Unit)
- 4MB main memory; expandable to 8MB
- 1 asynchronous RS232-C port
- 8 slot IBM PC/AT compatible bus
- Choice of Apollo token ring or ETHERNET/IEEE 802.3 network controller
- Switch selectable power supply for 120V/240V operation
- Country kit (**Must be ordered separately, see prerequisites**)
- Operating system license (including all environments - System V, BSD, and Aegis)
- Documentation: Unpacking and Installing the DN3010 Personal Workstation and the DSP3010 Server
  - Installing the Graphics Controller (Workstation only)
  - Installing the Network Controller
  - Technical Publications Overview

### DOMAIN SERIES 3000 MONOCHROME WORKSTATIONS

Each Domain Series 3000 monochrome workstation includes the following:

- Monochrome graphics controller
- Choice of either a 19", 1280x1024, 64Hz, non-interlaced monochrome display or a 15", 1024x800, 76Hz, non-interlaced monochrome display
- One optional 5-1/4" Winchester disk providing 72MB, 155MB or 348MB formatted capacity
- One optional 5-1/4" half height removable device (either 1.2MB floppy disk or 60MB cartridge tape)

### DOMAIN SERIES 3000 COLOR WORKSTATIONS

Each Domain Series 3000 color workstation includes the following:

- Choice of either a 4-plane color graphics controller providing 16 simultaneous colors from a palette of 4096 or an 8-plane color graphics controller providing 256 simultaneous colors from a palette of 16.7 million
- Choice of either a 15" or 19", 1024x800, 60Hz, non-interlaced color display
- One optional 5-1/4" Winchester disk providing 72MB, 155MB or 348MB formatted capacity
- One optional 5-1/4" half height removable device (either 1.2MB floppy disk or 60MB cartridge tape)

### DOMAIN SERIES 3000 SERVERS

Each Domain Series 3000 Server includes the following:

- One 5-1/4" Winchester disk providing 155MB or 348MB formatted capacity
- One 5-1/4" half height removable 60MB cartridge tape

### Prerequisites

Every Domain Series 3000 where the network controller choice is E for ETHERNET® or the graphics controller choice is E for 8-plane color requires software release SR9.6 or later.

Every Domain Series 3000, Model 3010 system requires operating system release SR9.5 or later to operate.

Every DN3010-L (15" monochrome display) requires operating system release SR9.7 or later to operate.

SR9.7 or later is required on Model 3010 systems for support of 256MB virtual address space.

# DOMAIN SERIES 3000 PERSONAL WORKSTATIONS AND SERVERS Cont'd

## Workstation Country Kit †

With every Domain Series 3000 workstation you must order a country kit as a no charge line item. The country kit (DN3CK- ) includes keyboard, keyboard cable, mouse, country specific power cord.

## Server Country Kit †

With every Domain Series 3000 server you must order a country kit as a no charge line item. The country kit (DSPCK- ) includes a country specific power cord.

## Network Cabling

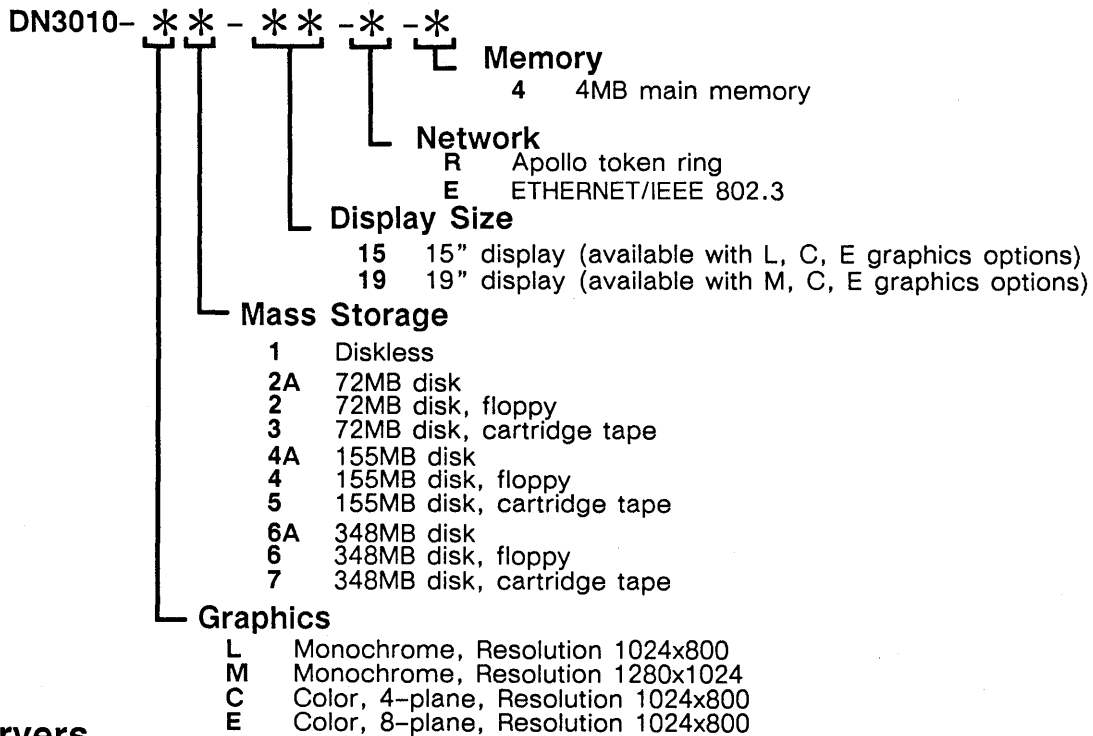
Network cabling must be ordered separately from the Domain System User/Accessories Catalog. (Either Domain Quick Connect or BNC cable for Apollo token ring or ETHERNET cabling.)

**Notes:** † You must specify the COUNTRY suffix which corresponds to the system's final country destination:  
 NA=North America, GY=Germany, UK=United Kingdom, FR = France, NL = Netherlands, IT = Italy,  
 CH = Switzerland, SW = Sweden/Finland, AUS = Australia, DK = Denmark, NW = Norway, ISR = Israel

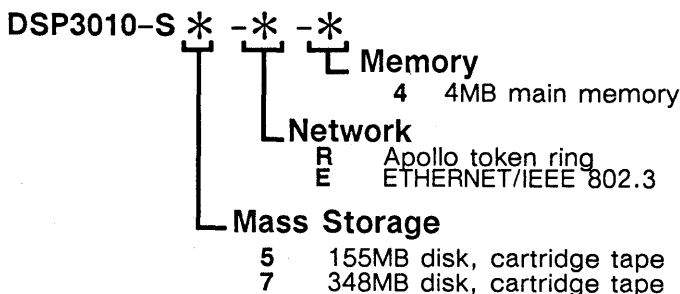
**Important:** Read notes on each page prior to determining the required configuration.

## Model Number Definition for Domain Series 3000 Personal Workstation and Servers

### Workstation



### Servers



# Domain Series 3000 Workstation

	MEMORY	STORAGE CAPACITY			DEVICE		List Price	MMC	FIC
	4MB	72MB	155MB	348MB	Floppy	Tape			
<b>15" 1024x800 Monochrome</b>									
DN3010-L1-15-* -4	X						\$4,990 (1)	\$73 (A)	\$340
DN3010-L2A-15-* -4	X	X					\$8,490 (1)	\$106 (A)	\$340
DN3010-L2-15-* -4	X	X			X		\$8,990 (1)	\$114 (A)	\$340
DN3010-L3-15-* -4	X	X				X	\$10,490 (1)	\$117 (A)	\$340
DN3010-L4A-15-* -4	X		X				\$9,490 (1)	\$123 (A)	\$340
DN3010-L4-15-* -4	X		X		X		\$9,990 (1)	\$131 (A)	\$340
DN3010-L5-15-* -4	X		X			X	\$11,490 (1)	\$134 (A)	\$340
DN3010-L6A-15-* -4	X			X			\$12,490 (1)	\$151 (A)	\$340
DN3010-L6-15-* -4	X			X	X		\$12,990 (1)	\$159 (A)	\$340
DN3010-L7-15-* -4	X			X		X	\$14,490 (1)	\$162 (A)	\$340
<b>19" 1280x1024 Monochrome</b>									
DN3010-M1-19-* -4	X						\$5,990 (1)	\$76 (A)	\$340
DN3010-M2A-19-* -4	X	X					\$9,490 (1)	\$109 (A)	\$340
DN3010-M2-19-* -4	X	X			X		\$9,990 (1)	\$117 (A)	\$340
DN3010-M3-19-* -4	X	X				X	\$11,490 (1)	\$120 (A)	\$340
DN3010-M4A-19-* -4	X		X				\$10,490 (1)	\$126 (A)	\$340
DN3010-M4-19-* -4	X		X		X		\$10,990 (1)	\$134 (A)	\$340
DN3010-M5-19-* -4	X		X			X	\$12,490 (1)	\$137 (A)	\$340
DN3010-M6A-19-* -4	X			X			\$13,490 (1)	\$154 (A)	\$340
DN3010-M6-19-* -4	X			X	X		\$13,990 (1)	\$162 (A)	\$340
DN3010-M7-19-* -4	X			X		X	\$15,490 (1)	\$165 (A)	\$340
<b>15" 1024X800 4-Plane Color</b>									
DN3010-C1-15-* -4	X						\$8,900 (1)	\$91 (A)	\$340
DN3010-C2A-15-* -4	X	X					\$12,400 (1)	\$124 (A)	\$340
DN3010-C2-15-* -4	X	X			X		\$12,900 (1)	\$132 (A)	\$340
DN3010-C3-15-* -4	X	X				X	\$14,400 (1)	\$135 (A)	\$340
DN3010-C4A-15-* -4	X		X				\$13,400 (1)	\$141 (A)	\$340
DN3010-C4-15-* -4	X		X		X		\$13,900 (1)	\$149 (A)	\$340
DN3010-C5-15-* -4	X		X			X	\$15,400 (1)	\$152 (A)	\$340
DN3010-C6A-15-* -4	X			X			\$16,400 (1)	\$170 (A)	\$340
DN3010-C6-15-* -4	X			X	X		\$16,900 (1)	\$178 (A)	\$340
DN3010-C7-15-* -4	X			X		X	\$18,400 (1)	\$181 (A)	\$340

## Domain Series 3000 Workstation Cont'd

	MEMORY	STORAGE CAPACITY			DEVICE		List Price	MMC	FIC
	4MB	72MB	155MB	348MB	Floppy	Tape			
<b>19" 1024X800 4-Plane Color</b>									
DN3010-C1-19-*--4	X						\$11,900 (1)	\$96 (A)	\$340
DN3010-C2A-19-*--4	X	X					\$15,400 (1)	\$128 (A)	\$340
DN3010-C2-19-*--4	X	X			X		\$15,900 (1)	\$136 (A)	\$340
DN3010-C3-19-*--4	X	X				X	\$17,400 (1)	\$139 (A)	\$340
DN3010-C4 A-19-*--4	X		X				\$16,400 (1)	\$144 (A)	\$340
DN3010-C4-19-*--4	X		X		X		\$16,900 (1)	\$152 (A)	\$340
DN3010-C5-19-*--4	X		X			X	\$18,400 (1)	\$155 (A)	\$340
DN3010-C6A-19-*--4	X			X			\$19,400 (1)	\$170 (A)	\$340
DN3010-C6-19-*--4	X			X	X		\$19,900 (1)	\$178 (A)	\$340
DN3010-C7-19-*--4	X			X		X	\$21,400 (1)	\$183 (A)	\$340
<b>15" 1024X800 8-Plane Color</b>									
DN3010-E1-15-*--4	X						\$11,300 (1)	\$94 (A)	\$340
DN3010-E2A-15-*--4	X	X					\$14,800 (1)	\$127 (A)	\$340
DN3010-E2-15-*--4	X	X			X		\$15,300 (1)	\$135 (A)	\$340
DN3010-E3-15-*--4	X	X				X	\$16,800 (1)	\$138 (A)	\$340
DN3010-E4 A-15-*--4	X		X				\$15,800 (1)	\$144 (A)	\$340
DN3010-E4-15-*--4	X		X		X		\$16,300 (1)	\$152 (A)	\$340
DN3010-E5-15-*--4	X		X			X	\$17,800 (1)	\$155 (A)	\$340
DN3010-E6A-15-*--4	X			X			\$18,800 (1)	\$173 (A)	\$340
DN3010-E6-15-*--4	X			X	X		\$19,300 (1)	\$181 (A)	\$340
DN3010-E7-15-*--4	X			X		X	\$20,800 (1)	\$184 (A)	\$340
<b>19" 1024X800 8-Plane Color</b>									
DN3010-E1-19-*--4	X						\$14,300 (1)	\$99 (A)	\$340
DN3010-E2A-19-*--4	X	X					\$17,800 (1)	\$131 (A)	\$340
DN3010-E2-19-*--4	X	X			X		\$18,300 (1)	\$139 (A)	\$340
DN3010-E3-19-*--4	X	X				X	\$19,800 (1)	\$142 (A)	\$340
DN3010-E4 A-19-*--4	X		X				\$18,800 (1)	\$147 (A)	\$340
DN3010-E4-19-*--4	X		X		X		\$19,300 (1)	\$155 (A)	\$340
DN3010-E5-19-*--4	X		X			X	\$20,800 (1)	\$158 (A)	\$340
DN3010-E6A-19-*--4	X			X			\$21,800 (1)	\$173 (A)	\$340
DN3010-E6-19-*--4	X			X	X		\$22,300 (1)	\$181 (A)	\$340
DN3010-E7-19-*--4	X			X		X	\$23,800 (1)	\$186 (A)	\$340
<b>Domain Series 3000 Servers</b>									
	MEMORY	STORAGE CAPACITY					List Price	MMC	FIC
	4MB	155MB	348MB						
DSP3010-S5-*--4	X	X					\$10,990 (1)	\$129 (A)	\$340
DSP3010-S7-*--4	X			X			\$13,990 (1)	\$163 (A)	\$340

## DOMAIN SERIES 3000 OPTIONS +

Model No.	Description	Prerequisites	List	MMC	FIC
A-ADD-2MB	2MB Add-on memory board	DN3000, DSP3000 DN3010 or DSP3010	\$1,600(1)	\$8	\$155
A-ADD-WFC-D	Winchester/floppy controller (supports 72MB, 155MB, and 348MB disks)	DN3000, DSP3000, DN3010 or DSP3010	\$1,000(2)	*	\$145
A-ADD-72M	72MB Winchester disk drive (formatted capacity)	A-ADD-WFC-D	\$2,500(2)	*	\$270
A-ADD-155M	155MB Winchester disk drive (formatted capacity)	A-ADD-WFC-D	\$3,500(2)	*	\$270
A-ADD-348M	348MB Winchester disk drive (formatted capacity)	A-ADD-WFC-D	\$6,500(2)	*	\$270
A-ADD-FLP	1.2MB 5-1/4" floppy disk drive	A-ADD-WFC-D	\$500(2)	*	\$195
A-ADD-TC	Cartridge tape drive and controller	DN3000, DN3010, DSP3000 or DSP3010	\$2,000(2)	*	\$340
ADD-DN3CK-†	Includes: Keyboard, keyboard cable, mouse, country- specific power cord	N/A	\$750(1)	\$7	N/A

**Notes:**

+ THESE PRODUCTS MAY BE INSTALLED, AT CUSTOMER'S OPTION, BY COMPUTER KNOWLEDGE-ABLE CUSTOMERS WHO CAREFULLY READ AND FOLLOW THE INSTRUCTIONS IN THE INSTALLATION MANUAL. CUSTOMERS WHO ELECT TO HAVE THE PRODUCT INSTALLED BY APOLLO FIELD PERSONNEL WILL BE CHARGED THE APPLICABLE FIC, PURSUANT TO APOLLO'S THEN CURRENT TERMS AND CONDITIONS.

† You must specify the COUNTRY suffix which corresponds to the system's final country destination.

NA=North America, GY=Germany, UK=United Kingdom, FR = France, NL = Netherlands, IT = Italy, CH = Switzerland, SW = Sweden/Finland, AUS = Australia, DK = Denmark, NW = Norway, ISR = Israel

\* Packaged configuration model numbers and price should be adjusted to reflect the new configuration.

# DOMAIN SERIES 3040 RUGGEDIZED PERSONAL WORKSTATIONS AND SERVERS

The Series 3040 is an industrialized version of the Series 3000 Personal Workstation. It is designed for the shop floor and withstands harsh environmental conditions such as shock, high temperature, electromagnetic interferences and airborne particulates.

## Each Domain Series 3040 Personal Workstation™ and server includes the following:

- MC68020 processor with MC68881 floating point coprocessor
- 4MB main memory; expandable to 8MB
- 1 asynchronous RS232-C port
- 8 slot IBM PC/AT compatible bus
- Choice of Apollo token ring or ETHERNET/IEEE 802.3 network controller
- Switch selectable power supply for 120V/240V operation
- Country kit (**Must be ordered separately, see prerequisites**)
- Operating system license (including all environments – System V, BSD, and Aegis)
- Documentation: Unpacking and Installing the DN3040 Personal Workstation and the DSP3040 Server  
Installing the Graphics Controller (Workstation only)  
Installing the Network Controller  
Technical Publications Overview

## DOMAIN SERIES 3040 COLOR WORKSTATIONS

### Each Domain Series 3040 color workstation includes the following:

- 4-plane color graphics controller providing 16 simultaneous colors from a palette of 4096
- A 15" 1024x800, 60Hz, non-interlaced color display
- One optional 5-1/4" Winchester disk providing 155MB, 348MB formatted capacity
- One optional 5-1/4" half height removable device (either 1.2MB floppy disk or 60MB cartridge tape)

## DOMAIN SERIES 3040 SERVERS

### Domain Series 3040 Server includes the following:

- One 5-1/4" Winchester disk providing 155MB formatted capacity
- One 5-1/4" half height removable 60MB cartridge tape

## Prerequisites

Every Domain Series 3040 workstation where the network controller choice is E for ETHERNET requires software release SR9.6 or later.

Every Domain Series 3040 workstation and server requires operating system SR9.5 or greater.

Every Domain Series 3040 workstation and server requires operating system SR9.7 or greater for 256 MB virtual address space.

## Workstation Country Kit †

With every Domain Series 3040 workstation you **must order a Ruggedized country kit** as a no charge line item. The country kit (DN3CKR- ) includes keyboard, keyboard cable, mouse, country specific power cord, and keyboard cover.

## Server Country Kit †

With every Domain Series 3040 server you **must order a country kit** as a no charge line item. The country kit (DSPCK- ) includes a country specific power cord.

## Network Cabling

Network cabling must be ordered separately from the Domain System User/Accessories Catalog. (Either Domain Quick Connect or BNC cable for Apollo token ring or ETHERNET® cabling.)

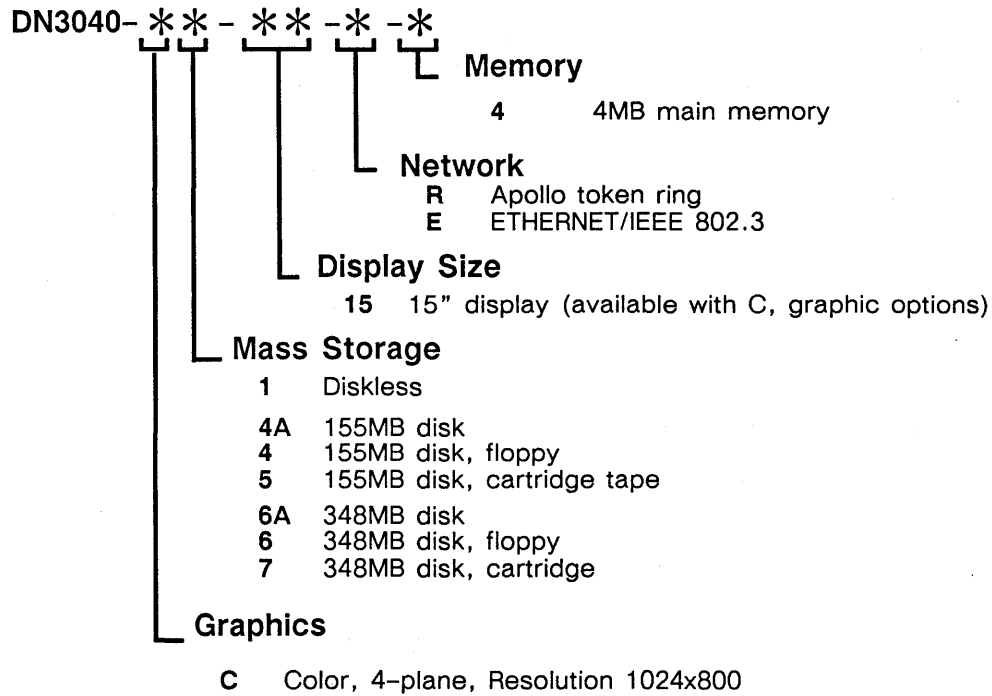
**Notes: †** You must specify the COUNTRY suffix which corresponds to the system's final country destination:  
NA=North America, GY=Germany, UK=United Kingdom, FR = France, NL = Netherlands, IT = Italy,  
CH = Switzerland, SW = Sweden/Finland, AUS = Australia, DK = Denmark, NW = Norway, ISR = Israel

**Important: Read notes on each page prior to determining the required configuration.**

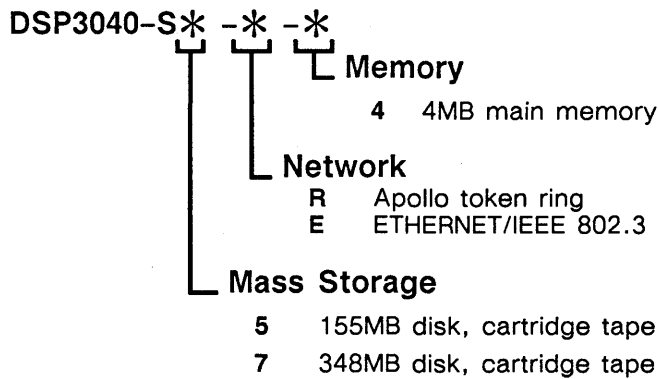


# Model Number Definition for Domain Series 3040 Personal Workstation and Servers

## Workstation



## Servers



## DOMAIN SERIES 3040 COLOR WORKSTATIONS +

Model No.	Prerequisite	List	MMC	FIC
<b>15", 1024x800, 4-Plane Color</b>				
DN3040-C1-15-*--4	DN3CKR-†	\$11,900(1)	\$131(A)	\$340
DN3040-C4A-15-*--4	DN3CKR-†	\$16,400(1)	\$181(A)	\$340
DN3040-C4-15-*--4	DN3CKR-†	\$16,900(1)	\$189(A)	\$340
DN3040-C5-15-*--4	DN3CKR-†	\$18,400(1)	\$192(A)	\$340
DN3040-C6A-15-*--4	DN3CKR-†	\$19,400(1)	\$210(A)	\$340
DN3040-C6-15-*--4	DN3CKR-†	\$19,900(1)	\$218(A)	\$340
DN3040-C7-15-*--4	DN3CKR-†	\$21,400(1)	\$221(A)	\$340

## DOMAIN SERIES 3040 SERVERS +

DSP3040-S5-*--4	DSPCK-†	\$13,400(1)	\$169(A)	\$340
DSP3040-S7-*--4	DSPCK-†	\$16,990(1)	\$203(A)	\$340

## DOMAIN SERIES 3040 OPTIONS +

Model No.	Description	Prerequisites	List	MMC	FIC
A-ADD-2MBR	2MB Add-on memory board	DN3040 or DSP3040	\$1,600(1)	\$8	\$155
A-ADD-WFCR-D	Winchester/floppy controller (supports 155MB)	DN3040 or DSP3040	\$1,000(2)	*	\$145
A-ADD-155MR	155MB Winchester Disk drive (formatted capacity)	A-ADD-WFCR-D	\$3,500(2)	*	\$270
A-ADD-348MR	348MB Winchester Disk drive (formatted capacity)	A-ADD-WFCR-D	\$6,500(2)	*	\$270
A-ADD-FLPR	1.2MB 5-1/4" floppy disk drive	A-ADD-WFCR-D	\$500(2)	*	\$195
A-ADD-TCR	Cartridge tape drive and controller	DN3040 or DSP3040	\$2,000(2)	*	\$340
A-ADD-DN3RM	Rack mount kit for system unit graphic display & keyboard	DN3040	\$700(3)	NA	\$260
A-ADD-DSPRM	Rack mount kit for system unit	DSP3040	\$190(3)	NA	\$155
ADD-DN3CKR-†	Includes: Keyboard, keyboard cable, mouse, country-specific power cord, keyboard cover	N/A	\$750(1)	\$7	N/A

**Notes:**

+ THESE PRODUCTS MAY BE INSTALLED, AT CUSTOMER'S OPTION, BY COMPUTER KNOWLEDGE-ABLE CUSTOMERS WHO CAREFULLY READ AND FOLLOW THE INSTRUCTIONS IN THE INSTALLATION MANUAL. CUSTOMERS WHO ELECT TO HAVE THE PRODUCT INSTALLED BY APOLLO FIELD PERSONNEL WILL BE CHARGED THE APPLICABLE FIC, PURSUANT TO APOLLO'S THEN CURRENT TERMS AND CONDITIONS.

† You must specify the COUNTRY suffix which corresponds to the system's final country destination. NA=North America, GY=Germany, UK=United Kingdom, FR = France, NL = Netherlands, IT = Italy, CH = Switzerland, SW = Sweden/Finland, AUS = Australia, DK = Denmark, NW = Norway, ISR = Israel

\* Packaged configuration model numbers and price should be adjusted to reflect the new configuration.

## DOMAIN SERIES 3500 PERSONAL WORKSTATIONS AND SERVERS

Each Domain Series 3500 Personal Workstation and server includes the following:

- 25MHz MC68030 processor with 25MHz MC68882 floating point coprocessor
- 4MB or 8MB main memory; expandable to 32MB with four 8MB boards
- 3 asynchronous RS232-C ports [**Cable must be ordered separately through Instant Apollo to support more than one port**]
- 7 slot IBM PC/AT compatible bus
- Choice of Apollo token ring or ETHERNET/IEEE 802.3 network controller
- Switch selectable power supply for 120V/240V operation
- Country kit (**Must be ordered separately, see prerequisites**)
- Operating system license (including all environments - System V, BSD, and Aegis)
- Documentation: Unpacking and Installing the DN3500 Personal Workstation and the DSP3500 Server.  
Installing the Graphics Controller (Workstation only)  
Installing the Network Controller  
Technical Publications Overview

## DOMAIN SERIES 3500 MONOCHROME WORKSTATIONS

Each Domain Series 3500 monochrome workstation includes the following:

- Monochrome graphics controller
- Choice of either 19", 1280x1024, 64hz, non-interlaced monochrome display or 15", 1024x800, 76hz non-interlaced monochrome display
- One optional 5-1/4" Winchester disk providing 155MB or 348MB formatted capacity
- One optional 5-1/4" half height removable device (either 1.2MB floppy disk or 60MB cartridge tape)

## DOMAIN SERIES 3500 COLOR WORKSTATIONS

Each Domain Series 3500 color workstation includes the following:

- Choice of (1) a 4-plane color graphics controller providing 16 simultaneous colors from a palette of 4096 colors or (2) an 8-plane color graphics controller providing 256 simultaneous colors from a palette of 16.7 million colors or (3) an 8-plane graphics accelerator with 19" 1280x1024, 68hz, non-interlaced color display
- One optional 5-1/4" Winchester disk providing 155MB or 348MB formatted capacity
- One optional 5-1/4" half height removable device (either 1.2MB floppy disk or 60MB cartridge tape)

## DOMAIN SERIES 3500 SERVERS

Each Domain Series 3500 Server includes the following:

- One 5-1/4" Winchester disk providing 155MB or 348MB formatted capacity
- One 5-1/4" half height removable 60MB cartridge tape

### Prerequisites

Every Domain Series 3500 configuration requires operating system release SR9.7.1 or SR10.1 or later. To obtain the SR9.7.1 operating system release you must order **SFW-AEGIS-MED-\***.

Every DN3500-F configuration requires a Product Support Kit. To obtain the required Product Support Kit you must order **SFW-PSK-MED-\***.

**Important: Read notes on each page prior to determining the required configuration.**

# DOMAIN SERIES 3500 PERSONAL WORKSTATIONS AND SERVERS Cont'd

## Workstation Country Kit †

With every Domain Series 3500 Workstation you **must order a country kit** as a no charge line item. The country kit (DN3CK- ) includes keyboard, keyboard cable, mouse, country specific power cord.

## Server Country Kit †

With every Domain Series 3500 Server you **must order a country kit** as a no charge line item. The country kit (DSPCK- ) includes a country specific power cord.

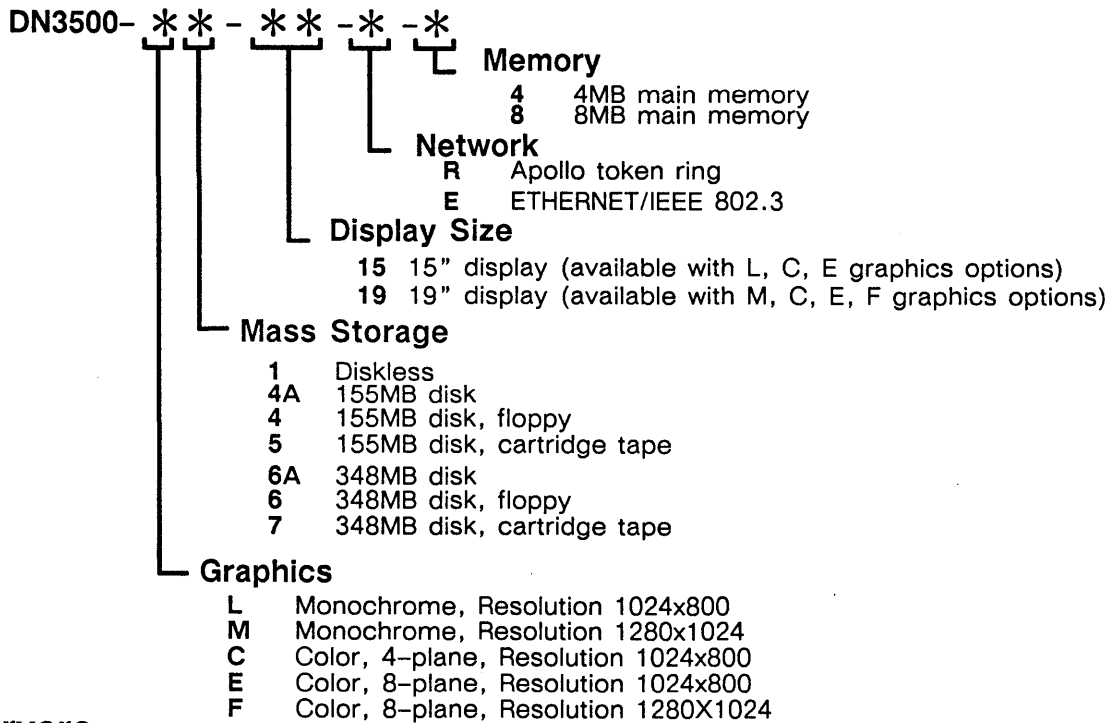
## Network Cabling

Network cabling must be ordered separately from the Domain System User/Accessories Catalog. (Either Domain Quick Connect or BNC cable for Apollo token ring or ETHERNET cabling.)

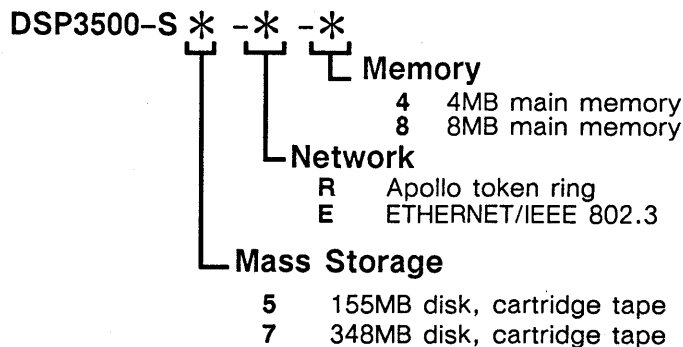
**Notes:** † You must specify the COUNTRY suffix which corresponds to the system's final country destination:  
 NA=North America, GY=Germany, UK=United Kingdom, FR=France, NL=Netherlands, IT=Italy,  
 CH=Switzerland, SW=Sweden/Finland, AUS= Australia, DK=Denmark, NW=Norway, ISR=Israel

## Model Number Definition for Domain Series 3500 Personal Workstation and Servers

### Workstation



### Servers



# Domain Series 3500 Workstations

	MEMORY		STORAGE CAPACITY			DEVICE		List Price	MMC	FIC
	4MB	8MB	72MB	155MB	348MB	Floppy	Tape			
<b>15" 1024x800 Monochrome</b>										
DN3500-L1-15-* -4	X							\$7,990(1)	\$77(A)	\$340
DN3500-L1-15-* -8		X						\$11,240(1)	\$93(A)	\$340
DN3500-L4 A-15-* -4	X			X				\$12,490(1)	\$134(A)	\$340
DN3500-L4 A-15-* -8		X		X				\$15,740(1)	\$150(A)	\$340
DN3500-L4-15-* -4	X			X		X		\$12,990(1)	\$143(A)	\$340
DN3500-L4-15-* -8		X		X		X		\$16,240(1)	\$159(A)	\$340
DN3500-L5-15-* -4	X			X			X	\$14,490(1)	\$146(A)	\$340
DN3500-L5-15-* -8		X		X			X	\$17,740(1)	\$162(A)	\$340
DN3500-L6A-15-* -4	X				X			\$15,490(1)	\$168(A)	\$340
DN3500-L6A-15-* -8		X			X			\$18,740(1)	\$184(A)	\$340
DN3500-L6-15-* -4	X				X	X		\$15,990(1)	\$177(A)	\$340
DN3500-L6-15-* -8		X			X	X		\$19,240(1)	\$193(A)	\$340
DN3500-L7-15-* -4	X				X		X	\$17,490(1)	\$180(A)	\$340
DN3500-L7-15-* -8		X			X		X	\$20,740(1)	\$196(A)	\$340
<b>19" 1280x1024 Monochrome</b>										
DN3500-M1-19-* -4	X							\$8,990(1)	\$80(A)	\$340
DN3500-M1-19-* -8		X						\$12,240(1)	\$96(A)	\$340
DN3500-M4A-19-* -4	X			X				\$13,490(1)	\$137(A)	\$340
DN3500-M4A-19-* -8		X		X				\$16,740(1)	\$153(A)	\$340
DN3500-M4-19-* -4	X			X		X		\$13,990(1)	\$146(A)	\$340
DN3500-M4-19-* -8		X		X		X		\$17,240(1)	\$162(A)	\$340
DN3500-M5-19-* -4	X			X			X	\$15,490(1)	\$149(A)	\$340
DN3500-M5-19-* -8		X		X			X	\$18,740(1)	\$165(A)	\$340
DN3500-M6A-19-* -4	X				X			\$16,490(1)	\$171(A)	\$340
DN3500-M6A-19-* -8		X			X			\$19,740(1)	\$187(A)	\$340
DN3500-M6-19-* -4	X				X	X		\$16,990(1)	\$180(A)	\$340
DN3500-M6-19-* -8		X			X	X		\$20,240(1)	\$196(A)	\$340
DN3500-M7-19-* -4	X				X		X	\$18,490(1)	\$183(A)	\$340
DN3500-M7-19-* -8		X			X		X	\$21,740(1)	\$199(A)	\$340

# Domain Series 3500 Workstations

	MEMORY		STORAGE CAPACITY			DEVICE		List Price	MMC	FIC
	4MB	8MB	72MB	155MB	348MB	Floppy	Tape			
<b>15" 1024X800 4-Plane Color</b>										
DN3500-C1-15-*--4	X							\$9,990 (1)	\$98 (A)	\$340
DN3500-C1-15-*--8		X						\$13,240 (1)	\$114 (A)	\$340
DN3500-C4A-15-*--4	X			X				\$14,490 (1)	\$155 (A)	\$340
DN3500-C4A-15-*--8		X		X				\$17,740 (1)	\$171 (A)	\$340
DN3500-C4-15-*--4	X			X		X		\$14,990 (1)	\$164 (A)	\$340
DN3500-C4-15-*--8		X		X		X		\$18,240 (1)	\$180 (A)	\$340
DN3500-C5-15-*--4	X			X			X	\$16,490 (1)	\$167 (A)	\$340
DN3500-C5-15-*--8		X		X			X	\$19,740 (1)	\$183 (A)	\$340
DN3500-C6A-15-*--4	X				X			\$17,490 (1)	\$189 (A)	\$340
DN3500-C6A-15-*--8		X			X			\$20,740 (1)	\$205 (A)	\$340
DN3500-C6-15-*--4	X				X	X		\$17,990 (1)	\$198 (A)	\$340
DN3500-C6-15-*--8		X			X	X		\$21,240 (1)	\$214 (A)	\$340
DN3500-C7-15-*--4	X				X		X	\$19,490 (1)	\$201 (A)	\$340
DN3500-C7-15-*--8		X			X		X	\$22,740 (1)	\$217 (A)	\$340
<b>19" 1024X800 4-Plane Color</b>										
DN3500-C1-19-*--4	X							\$12,990 (1)	\$101 (A)	\$340
DN3500-C1-19-*--8		X						\$16,240 (1)	\$117 (A)	\$340
DN3500-C4A-19-*--4	X			X				\$17,490 (1)	\$158 (A)	\$340
DN3500-C4A-19-*--8		X		X				\$20,740 (1)	\$174 (A)	\$340
DN3500-C4-19-*--4	X			X		X		\$17,990 (1)	\$167 (A)	\$340
DN3500-C4-19-*--8		X		X		X		\$21,240 (1)	\$183 (A)	\$340
DN3500-C5-19-*--4	X			X			X	\$19,490 (1)	\$170 (A)	\$340
DN3500-C5-19-*--8		X		X			X	\$22,740 (1)	\$186 (A)	\$340
DN3500-C6A-19-*--4	X				X			\$20,490 (1)	\$192 (A)	\$340
DN3500-C6A-19-*--8		X			X			\$23,740 (1)	\$208 (A)	\$340
DN3500-C6-19-*--4	X				X	X		\$20,990 (1)	\$201 (A)	\$340
DN3500-C6-19-*--8		X			X	X		\$24,240 (1)	\$217 (A)	\$340
DN3500-C7-19-*--4	X				X		X	\$22,490 (1)	\$204 (A)	\$340
DN3500-C7-19-*--8		X			X		X	\$25,740 (1)	\$220 (A)	\$340
<b>15" 1024X800 8-Plane Color</b>										
DN3500-E1-15-*--4	X							\$12,390 (1)	\$101 (A)	\$340
DN3500-E1-15-*--8		X						\$15,640 (1)	\$117 (A)	\$340
DN3500-E4A-15-*--4	X			X				\$16,890 (1)	\$158 (A)	\$340
DN3500-E4A-15-*--8		X		X				\$20,140 (1)	\$174 (A)	\$340
DN3500-E4-15-*--4	X			X		X		\$17,390 (1)	\$167 (A)	\$340
DN3500-E4-15-*--8		X		X		X		\$20,640 (1)	\$183 (A)	\$340
DN3500-E5-15-*--4	X			X			X	\$18,890 (1)	\$170 (A)	\$340
DN3500-E5-15-*--8		X		X			X	\$22,140 (1)	\$186 (A)	\$340
DN3500-E6A-15-*--4	X				X			\$19,890 (1)	\$192 (A)	\$340
DN3500-E6A-15-*--8		X			X			\$23,140 (1)	\$208 (A)	\$340
DN3500-E6-15-*--4	X				X	X		\$20,390 (1)	\$201 (A)	\$340
DN3500-E6-15-*--8		X			X	X		\$23,640 (1)	\$217 (A)	\$340
DN3500-E7-15-*--4	X				X		X	\$21,890 (1)	\$204 (A)	\$340
DN3500-E7-15-*--8		X			X		X	\$25,140 (1)	\$220 (A)	\$340

## Domain Series 3500 Workstations Cont'd

	MEMORY		STORAGE CAPACITY		DEVICE		List Price	MMC	FIC
	4MB	8MB	155MB	348MB	Floppy	Tape			
<b>19" 1024X800 8-Plane Color</b>									
DN3500-E1-19-*-4	X						\$15,390 (1)	\$104 (A)	\$340
DN3500-E1-19-*-8		X					\$18,640 (1)	\$120 (A)	\$340
DN3500-E4A-19-*-4	X		X				\$19,890 (1)	\$161 (A)	\$340
DN3500-E4A-19-*-8		X	X				\$23,140 (1)	\$177 (A)	\$340
DN3500-E4-19-*-4	X		X		X		\$20,390 (1)	\$170 (A)	\$340
DN3500-E4-19-*-8		X	X		X		\$23,640 (1)	\$186 (A)	\$340
DN3500-E5-19-*-4	X		X			X	\$21,890 (1)	\$173 (A)	\$340
DN3500-E5-19-*-8		X	X			X	\$25,140 (1)	\$189 (A)	\$340
DN3500-E6A-19-*-4	X			X			\$22,890 (1)	\$195 (A)	\$340
DN3500-E6A-19-*-8		X		X			\$26,140 (1)	\$211 (A)	\$340
DN3500-E6-19-*-4	X			X	X		\$23,390 (1)	\$204 (A)	\$340
DN3500-E6-19-*-8		X		X	X		\$26,640 (1)	\$220 (A)	\$340
DN3500-E7-19-*-4	X			X		X	\$24,890 (1)	\$207 (A)	\$340
DN3500-E7-19-*-8		X		X		X	\$28,140 (1)	\$223 (A)	\$340
<b>19" 1280x1024 8-plane Color Accelerator</b>									
DN3500-F1-19-*-4	X						\$19,390 (1)	\$124 (A)	\$340
DN3500-F1-19-*-8		X					\$22,640 (1)	\$140 (A)	\$340
DN3500-F4A-19-*-4	X		X				\$23,890 (1)	\$181 (A)	\$340
DN3500-F4A-19-*-8		X	X				\$27,140 (1)	\$197 (A)	\$340
DN3500-F4-19-*-4	X		X		X		\$24,390 (1)	\$190 (A)	\$340
DN3500-F4-19-*-8		X	X		X		\$27,640 (1)	\$206 (A)	\$340
DN3500-F5-19-*-4	X		X			X	\$25,890 (1)	\$193 (A)	\$340
DN3500-F5-19-*-8		X	X			X	\$29,140 (1)	\$209 (A)	\$340
DN3500-F6A-19-*-4	X			X			\$26,890 (1)	\$215 (A)	\$340
DN3500-F6A-19-*-8		X		X			\$30,140 (1)	\$231 (A)	\$340
DN3500-F6-19-*-4	X			X	X		\$27,390 (1)	\$224 (A)	\$340
DN3500-F6-19-*-8		X		X	X		\$30,640 (1)	\$240 (A)	\$340
DN3500-F7-19-*-4	X			X		X	\$28,890 (1)	\$227 (A)	\$340
DN3500-F7-19-*-8		X		X		X	\$32,140 (1)	\$243 (A)	\$340

# Domain Series 3500 Servers

	MEMORY		STORAGE CAPACITY		DEVICE		List Price	MMC	FIC
	4MB	8MB	155MB	348MB	Floppy	Cartridge			
<b>Domain Series 3500 Servers</b>									
DSP3500-S5-*--4	X		X			X	\$13,990 (1)	\$138 (A)	\$340
DSP3500-S5-*--8		X	X			X	\$17,240 (1)	\$154 (A)	\$340
DSP3500-S7-*--4	X			X		X	\$16,990 (1)	\$172 (A)	\$340
DSP3500-S7-*--8		X		X		X	\$20,240 (1)	\$188 (A)	\$340

## DOMAIN SERIES 3500 OPTIONS +

Model No.	Description	Prerequisites	List	MMC	FIC
A-ADD-4MB-A	4MB add-on memory board	DN3500 or DSP3500	\$3,250(1)	\$16	\$155
A-ADD-8MB-A	8MB add-on memory board	DN3500 or DSP3500	\$6,500(1)	\$32	\$200
A-ADD-WFC-D	Winchester/floppy disk controller (supports 155MB and 348MB disks)	DN3500 or DSP3500	\$1,000(2)	*	\$145
A-ADD-155M	155MB Winchester disk drive (formatted capacity)	A-ADD-WFC-D	\$3,500(2)	*	\$270
A-ADD-348FA	348MB fast actuator Winchester disk drive (formatted capacity)	A-ADD-WFC-D	\$6,500(2)	*	\$270
A-ADD-348E	External 348MB disk expansion module <b>The external disk expansion module is not customer installable</b>	DN3500 or DSP3500 with 348MB disk	\$8,000(1)	*	\$270
A-ADD-FPA	Floating Point Accelerator	DN3500 or DSP3500	\$3,500(1)	\$20	\$180
Every DN3500 FPA configuration requires a Product Support Kit. To obtain the required Product Support Kit you must order SFW-PSK-MED-*					
Every Floating Point Accelerator requires new SR9.7.1 compilers. Non-Maintenance customers must order SFW-PAS-MED and/or SFW-FTN-MED and/or SFW-C-MED.					
A-ADD-FLP	1.2MB 5-1/4" floppy disk drive	A-ADD-WFC-D	\$500(2)	\$10	\$195
A-ADD-TC	Cartridge tape drive and controller	DN3500 or DSP3500	\$2,000(2)	*	\$340
ADD-DN3CK-†	Includes: Keyboard, keyboard cable, mouse, country-specific power cord	N/A	\$750(1)	*	N/A
SFW-AEGIS-MED-T	Media for Aegis Operating System SR9.7.1	DN3500	\$110(N)		
SFW-AEGIS-MED-F	This version is a prerequisite for DN3500		\$272(N)		
SFW-AEGIS-MED-H			\$272(N)		
SFW-AEGIS-MED-C			\$194(N)		
SFW-PSK-MED-T	Product Support Kit: prerequisite for	DN3500-F	\$21(N)		
SFW-PSK-MED-F	DN3500-F and DN3500 FPA	FPA	\$11(N)		
SFW-PSK-MED-H			\$11(N)		
SFW-PSK-MED-C			\$30(N)		

+ THESE PRODUCTS MAY BE INSTALLED, AT CUSTOMER'S OPTION, BY COMPUTER KNOWLEDGE-ABLE CUSTOMERS WHO CAREFULLY READ AND FOLLOW THE INSTRUCTIONS IN THE INSTALLATION MANUAL. CUSTOMERS WHO ELECT TO HAVE THE PRODUCT INSTALLED BY APOLLO FIELD PERSONNEL WILL BE CHARGED THE APPLICABLE FIC, PURSUANT TO APOLLO'S THEN CURRENT TERMS AND CONDITIONS.

† You must specify the COUNTRY suffix which corresponds to the system's final country destination. NA=North America, GY=Germany, UK=United Kingdom, FR = France, NL = Netherlands, IT = Italy, CH = Switzerland, SW = Sweden/Finland, AUS = Australia, DK = Denmark, NW = Norway, ISR = Israel

\* Packaged configuration model numbers and price should be adjusted to reflect the new configuration.



# DOMAIN SERIES 3500 MODEL 3550 PERSONAL WORKSTATIONS AND SERVERS

Each Domain Series 3500 model 3550 Personal Workstation includes the following:

- 25MHz MC68030 processor with 25MHz MC68882 floating point coprocessor
- 8MB or 16MB main memory (interleaved); expandable to 32MB with four 8MB boards
- 3 asynchronous RS232-C ports [**Cable must be ordered separately through Instant Apollo to support more than one port**]
- 7 slot IBM PC/AT compatible bus
- Choice of Apollo token ring or ETHERNET/IEEE 802.3 network controller
- Switch selectable power supply for 120V/240V operation
- Country kit (**Must be ordered separately, see prerequisites**)
- Operating system license (including all environments - System V, BSD, and Aegis)
- Documentation: Unpacking and Installing the DN3500 Personal Workstation and the DSP3500 Server  
Installing the Graphics Controller (Workstation only)  
Installing the Network Controller  
Technical Publications Overview

## DOMAIN SERIES 3500 MODEL 3550 MONOCHROME WORKSTATIONS

Each Domain Series 3500 Model 3550 monochrome workstation includes the following:

- Monochrome graphics controller
- 19", 1280x1024, 64Hz, non-interlaced monochrome display
- One optional 5-1/4" Winchester disk providing 155MB or 348MB formatted capacity
- One optional 5-1/4" half height removable device (either 1.2MB floppy disk or 60MB cartridge tape)

## DOMAIN SERIES 3500 MODEL 3550 COLOR WORKSTATIONS

Each Domain Series 3500 Model 3550 color workstation includes the following:

- 8-plane color graphics controller with 19", 1024x800 60 Hz non-interlaced display or 8-plane graphics accelerator with 19" 1280x1024, 68 Hz, non-interlaced color display
- One optional 5-1/4" Winchester disk providing 155MB or 348MB formatted capacity
- One optional 5-1/4" half height removable device (either 1.2MB floppy disk or 60MB cartridge tape)

### Prerequisites

Every Domain Series 3500 Model 3550 configuration requires SR9.7.1 or SR10.1 or later. To obtain the SR9.7.1 release you must order **SFW-AEGIS-MED-\***  
Every DN3500-F configuration requires a Product Support Kit. To obtain the required Product Support Kit you must order **SFW-PSK-MED-\***.

### Workstation Country Kit †

With every Domain Series 3500 Model 3550 Workstation you **must order a country kit** as a no charge line item. The country kit (DN3CK- ) includes keyboard, keyboard cable, mouse, country specific power cord.

### Server Country Kit †

With every Domain Series 3500 Model 3550 Server you **must order a country kit** as a no charge line item. The country kit (DSPCK- ) includes a country specific power cord.

### Network Cabling

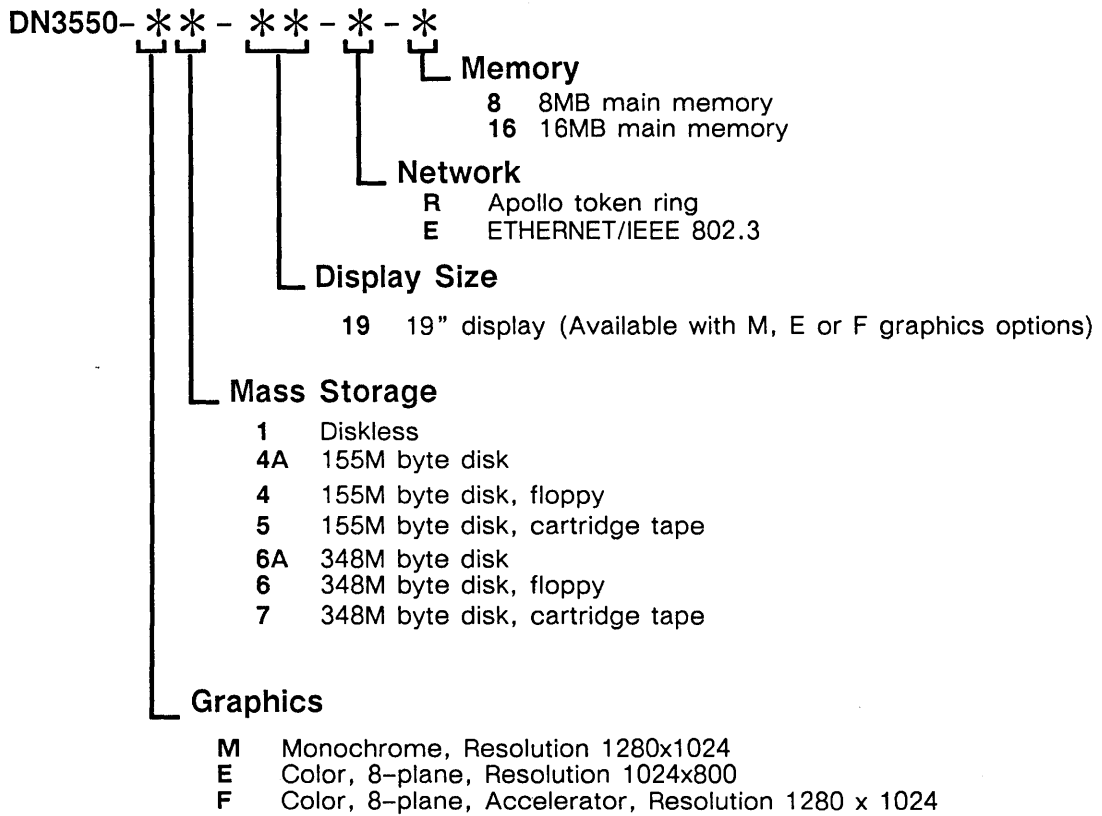
Network cabling must be ordered separately from the Domain System User/Accessories Catalog. (Either Domain Quick Connect or BNC cable for Apollo token ring or ETHERNET cabling.)

Notes: † You must specify the COUNTRY suffix which corresponds to the system's final country destination:  
NA=North America, GY=Germany, UK=United Kingdom, FR=France, NL=Netherlands, IT=Italy,  
CH=Switzerland, SW=Sweden/Finland, AUS= Australia, DK=Denmark, NW=Norway, ISR-Israel

Important: Read notes on each page prior to determining the required configuration.

# Model Number Definition for Domain Series 3500 Model 3550 Personal Workstation and Server

## Workstation



# Domain Series 3500 Model 3550 Workstations

	MEMORY		STORAGE CAPACITY		DEVICE		List Price	MMC	FIC
	8MB	16MB	155MB	348MB	Floppy	Tape			
<b>19" 1280x1024 Monochrome</b>									
DN3550-M1-19-*--8	X						\$17,240(1)	\$96(A)	\$340
DN3550-M1-19-*--16		X					\$23,740(1)	\$128(A)	\$340
DN3550-M4A-19-*--8	X		X				\$21,740(1)	\$153(A)	\$340
DN3550-M4A-19-*--16		X	X				\$28,240(1)	\$185(A)	\$340
DN3550-M4-19-*--8	X		X		X		\$22,240(1)	\$162(A)	\$340
DN3550-M4-19-*--16		X	X		X		\$28,740(1)	\$194(A)	\$340
DN3550-M5-19-*--8	X		X			X	\$23,740(1)	\$165(A)	\$340
DN3550-M5-19-*--16		X	X			X	\$30,240(1)	\$197(A)	\$340
DN3550-M6A-19-*--8	X			X			\$24,740(1)	\$187(A)	\$340
DN3550-M6A-19-*--16		X		X			\$31,240(1)	\$219(A)	\$340
DN3550-M6-19-*--8	X			X	X		\$25,240(1)	\$196(A)	\$340
DN3550-M6-19-*--16		X		X	X		\$31,740(1)	\$228(A)	\$340
DN3550-M7-19-*--8	X			X		X	\$26,740(1)	\$199(A)	\$340
DN3550-M7-19-*--16		X		X		X	\$33,240(1)	\$231(A)	\$340
<b>19" 1024X800 8-Plane Color</b>									
DN3550-E1-19-*--8	X						\$23,240(1)	\$120(A)	\$340
DN3550-E1-19-*--16		X					\$29,740(1)	\$152(A)	\$340
DN3550-E4A-19-*--8	X		X				\$27,740(1)	\$177(A)	\$340
DN3550-E4A-19-*--16		X	X				\$34,240(1)	\$209(A)	\$340
DN3550-E4-19-*--8	X		X		X		\$28,240(1)	\$186(A)	\$340
DN3550-E4-19-*--16		X	X		X		\$34,740(1)	\$218(A)	\$340
DN3550-E5-19-*--8	X		X			X	\$29,740(1)	\$189(A)	\$340
DN3550-E5-19-*--16		X	X			X	\$36,240(1)	\$221(A)	\$340
DN3550-E6A-19-*--8	X			X			\$30,740(1)	\$211(A)	\$340
DN3550-E6A-19-*--16		X		X			\$37,240(1)	\$243(A)	\$340
DN3550-E6-19-*--8	X			X	X		\$31,240(1)	\$220(A)	\$340
DN3550-E6-19-*--16		X		X	X		\$37,740(1)	\$252(A)	\$340
DN3550-E7-19-*--8	X			X		X	\$32,740(1)	\$223(A)	\$340
DN3550-E7-19-*--16		X		X		X	\$39,240(1)	\$255(A)	\$340

## Domain Series 3500 Model 3550 Workstations Cont'd

	MEMORY		STORAGE CAPACITY		DEVICE		List Price	MMC	FIC
	8MB	16MB	155MB	348MB	Floppy	Tape			
<b>19" 1280x1024 8-plane Color Accelerator</b>									
DN3550-F1-19-*--8	X						\$27,240 (1)	\$140 (A)	\$340
DN3550-F1-19-*--16		X					\$33,740 (1)	\$172 (A)	\$340
DN3550-F4A-19-*--8	X		X				\$31,740 (1)	\$197 (A)	\$340
DN3550-F4A-19-*--16		X	X				\$38,240 (1)	\$229 (A)	\$340
DN3550-F4-19-*--8	X		X		X		\$32,240 (1)	\$206 (A)	\$340
DN3550-F4-19-*--16		X	X		X		\$38,740 (1)	\$238 (A)	\$340
DN3550-F5-19-*--8	X		X			X	\$33,740 (1)	\$209 (A)	\$340
DN3550-F5-19-*--16		X	X			X	\$40,240 (1)	\$241 (A)	\$340
DN3550-F6A-19-*--8	X			X			\$34,740 (1)	\$231 (A)	\$340
DN3550-F6A-19-*--16		X		X			\$41,240 (1)	\$263 (A)	\$340
DN3550-F6-19-*--8	X			X	X		\$35,240 (1)	\$240 (A)	\$340
DN3550-F6-19-*--16		X		X	X		\$41,740 (1)	\$272 (A)	\$340
DN3550-F7-19-*--8	X			X		X	\$36,740 (1)	\$243 (A)	\$340
DN3550-F7-19-*--16		X		X		X	\$43,240 (1)	\$275 (A)	\$340

## Domain Series 3500 Model 3550 Servers

	MEMORY		STORAGE CAPACITY		DEVICE		List Price	MMC	FIC
	8MB	16MB	155MB	348MB	Floppy	Cartridge			
<b>Domain Series 3500 Model 3550 Servers</b>									
DSP3550-S5-*--8	X		X			X	\$22,240 (1)	\$154 (A)	\$340
DSP3550-S5-*--16		X	X			X	\$28,740 (1)	\$186 (A)	\$340
DSP3550-S7-*--8	X			X		X	\$25,240 (1)	\$188 (A)	\$340
DSP3550-S7-*--16		X		X		X	\$31,740 (1)	\$220 (A)	\$340

## DOMAIN SERIES 3500 Model 3550 OPTIONS +

Model No.	Description	Prerequisites	List	MMC	FIC
A-ADD-8MB-B	8MB add-on memory (two 4MB memory boards)	DN3550 or DSP3550	\$6,500(1)	\$32	\$200
A-ADD-16MB-B	16MB add-on memory board (two 8MB memory boards)	DN3550 or DSP3550	\$13,000(1)	\$64	\$255
You may only order one memory add-on, either 8MB or 16MB.					
A-ADD-WFC-D	Winchester/floppy disk controller (supports 155MB and 348MB disks)	DN3550 or DSP3550	\$1,000(2)	*	\$145
A-ADD-155M	155MB Winchester disk drive (formatted capacity)	A-ADD-WFC-D	\$3,500(2)	*	\$270
A-ADD-348FA	348MB fast actuator Winchester disk drive (formatted capacity)	A-ADD-WFC-D	\$6,500(2)	*	\$270
A-ADD-348E	External 348MB disk expansion module The external disk expansion module is not customer installable.	DN3550 or DSP3550 with 348MB disk	\$8,000(1)	*	\$270
A-ADD-FPA	Floating Point Accelerator	DN3550 or DSP3550	\$3,500(1)	\$20	\$180
Every DN3500 FPA configuration requires a Product Support Kit. To obtain the required Product Support Kit you must order SFW-PSK-MED-*					
Every Floating Point Accelerator requires new SR9.7.1 compilers. Non-Maintenance customers must order SFW-PAS-MED and/or SFW-FTN-MED and/or SFW-C-MED.					
A-ADD-FLP	1.2MB 5-1/4" floppy disk drive	A-ADD-WFC-D	\$500(2)	*	\$195
A-ADD-TC	Cartridge tape drive and controller	DN3550 or DSP3550	\$2,000(2)	*	\$340
ADD-DN3CK-†	Includes: Keyboard, keyboard cable, mouse, country-specific power cord	N/A	\$750(1)	\$7	N/A
UG-3550-4500	Upgrades a DN3550 to DN4500 or a DSP3550 to DSP4500	SR10.1	\$2,000(1)		
SFW-AEGIS-MED-T	Media for Aegis Operating System SR9.7.1	DN3550	\$110(N)		
SFW-AEGIS-MED-F	This version is a prerequisite for DN3550		\$272(N)		
SFW-AEGIS-MED-H			\$272(N)		
SFW-AEGIS-MED-C			\$194(N)		
SFW-PSK-MED-T	Product Support Kit: prerequisite for	DN3550-F	\$21(N)		
SFW-PSK-MED-F	DN3550-F and DN3550 FPA	FPA	\$11(N)		
SFW-PSK-MED-H			\$11(N)		
SFW-PSK-MED-C			\$30(N)		

### Notes:

+ THESE PRODUCTS MAY BE INSTALLED, AT CUSTOMER'S OPTION, BY COMPUTER KNOWLEDGE-ABLE CUSTOMERS WHO CAREFULLY READ AND FOLLOW THE INSTRUCTIONS IN THE INSTALLATION MANUAL. CUSTOMERS WHO ELECT TO HAVE THE PRODUCT INSTALLED BY APOLLO FIELD PERSONNEL WILL BE CHARGED THE APPLICABLE FIC, PURSUANT TO APOLLO'S THEN CURRENT TERMS AND CONDITIONS.

† You must specify the COUNTRY suffix which corresponds to the system's final country destination. NA=North America, GY=Germany, UK=United Kingdom, FR = France, NL = Netherlands, IT = Italy, CH = Switzerland, SW = Sweden/Finland, AUS = Australia, DK = Denmark, NW = Norway, ISR = Israel

\* Packaged configuration model numbers and price should be adjusted to reflect the new configuration.

# DOMAIN SERIES 4000 PERSONAL SUPER WORKSTATIONS AND SERVERS

Each Domain Series 4000 Personal Super Workstation and server includes the following:

- 25MHz MC68020 processor with 25MHz MC68881 floating point coprocessor
- 4MB or 8MB main memory; expandable to 32MB with four 8MB boards
- 3 asynchronous RS232-C ports
- 8 slot IBM PC/AT compatible bus
- Choice of Apollo token ring or ETHERNET/IEEE 802.3 network controller
- Switch selectable power supply for 120V/240V operation
- Country kit (**Must be ordered separately, see prerequisites**)
- Operating system license (including all environments - System V, BSD, and Aegis)
- Documentation: Unpacking and Installing the DN4000 Personal Super Workstation and the DSP4000 Server
  - Installing the Graphics Controller (Workstation only)
  - Installing the Network Controller
  - Technical Publications Overview

## DOMAIN SERIES 4000 MONOCHROME WORKSTATIONS

Each Domain Series 4000 monochrome workstation includes the following:

- Monochrome graphics controller
- 19", 1280x1024, 64Hz, non-interlaced monochrome display
- One optional 5-1/4" Winchester disk providing 155MB or 348MB formatted capacity
- One optional 5-1/4" half height removable device (either 1.2MB floppy disk or 60MB cartridge tape)

## DOMAIN SERIES 4000 COLOR WORKSTATIONS

Each Domain Series 4000 color workstation includes the following:

- 8-plane color graphics controller with either 15" or 19", 1024x800 60 HZ non-interlaced display or 8-plane graphics accelerator with 19" 1280x1024, 68 HZ, non-interlaced color display
- One optional 5-1/4" Winchester disk providing 155MB or 348MB formatted capacity
- One optional 5-1/4" half height removable device (either 1.2MB floppy disk or 60MB cartridge tape)

## DOMAIN SERIES 4000 SERVERS

Each Domain Series 4000 Server includes the following:

- One 5-1/4" Winchester disk providing 155MB or 348MB formatted capacity
- One 5-1/4" half height removable 60MB cartridge tape

### Prerequisites

Every DN4000-F configuration requires SR9.7.1 or SR10.1 or later; all other Series 4000 workstations and servers require SR9.7 or later. To obtain SR9.7.1, you must order **SFW-AEGIS-MED-\***

Every DN4000-F configuration requires a Product Support Kit. To obtain the required Product Support Kit you must order **SFW-PSK-MED-\***.

**Important: Read notes on each page prior to determining the required configuration.**

# DOMAIN SERIES 4000 PERSONAL SUPER WORKSTATIONS AND SERVERS Cont'd

## Workstation Country Kit †

With every Domain Series 4000 Workstation you **must order a country kit** as a no charge line item. The country kit (DN3CK- ) includes keyboard, keyboard cable, mouse, country specific power cord.

## Server Country Kit †

With every Domain Series 4000 Server you **must order a country kit** as a no charge line item. The country kit (DSPCK- ) includes a country specific power cord.

## Network Cabling

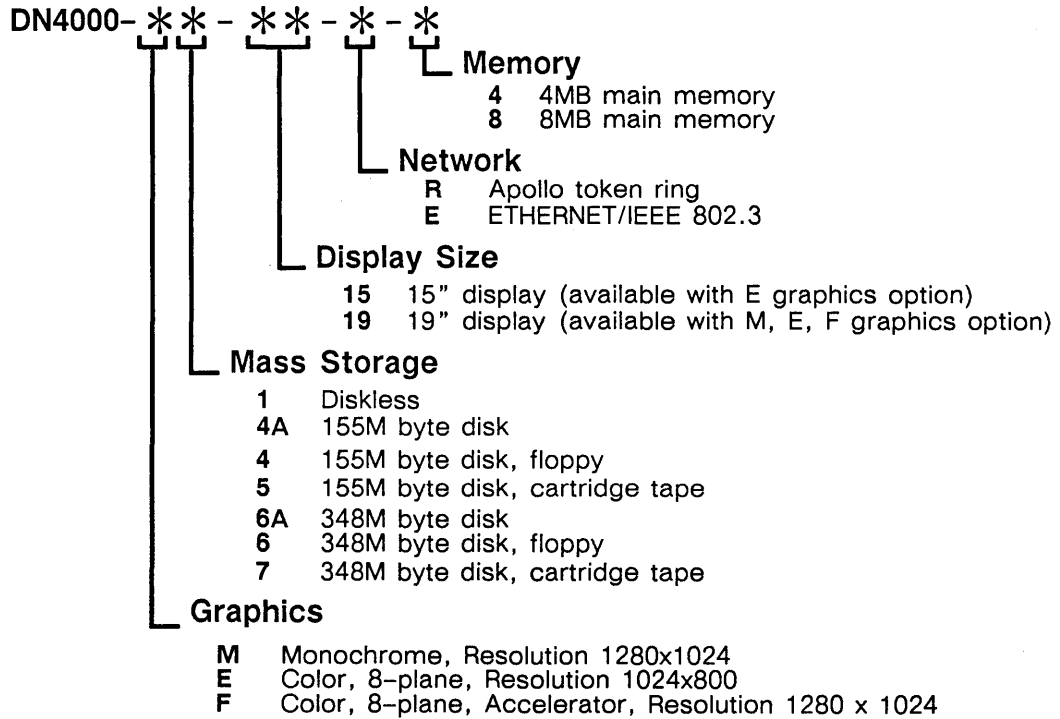
Network cabling must be ordered separately from the Domain System User/Accessories Catalog. (Either Domain Quick Connect or BNC cable for Apollo token ring or ETHERNET cabling.)

**Notes:** † You must specify the COUNTRY suffix which corresponds to the system's final country destination:  
NA=North America, GY=Germany, UK=United Kingdom, FR=France, NL=Netherlands, IT=Italy,  
CH=Switzerland, SW=Sweden/Finland, AUS= Australia, DK=Denmark, NW=Norway, ISR-Israel

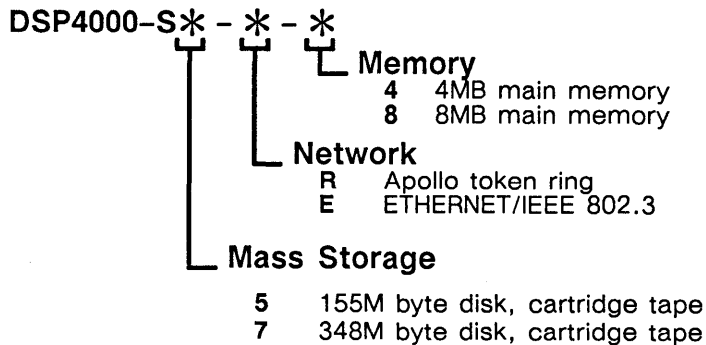
**Important:** Read notes on each page prior to determining the required configuration.

# Model Number Definition for Domain Series 4000 Personal Super Workstation and Server

## Workstation



## Servers





# Domain Series 4000 Workstations

	MEMORY		STORAGE CAPACITY		DEVICE		List Price	MMC	FIC
	4MB	8MB	155MB	348MB	Floppy	Tape			
<b>19" 1280x1024 Monochrome</b>									
DN4000-M1-19-* -4	X						\$8,990 (1)	\$90 (A)	\$340
DN4000-M1-19-* -8		X					\$12,240 (1)	\$106 (A)	\$340
DN4000-M4A-19-* -4	X		X				\$13,490 (1)	\$147 (A)	\$340
DN4000-M4A-19-* -8		X	X				\$16,740 (1)	\$163 (A)	\$340
DN4000-M4-19-* -4	X		X		X		\$13,990 (1)	\$156 (A)	\$340
DN4000-M4-19-* -8		X	X		X		\$17,240 (1)	\$172 (A)	\$340
DN4000-M5-19-* -4	X		X			X	\$15,490 (1)	\$159 (A)	\$340
DN4000-M5-19-* -8		X	X			X	\$18,740 (1)	\$175 (A)	\$340
DN4000-M6A-19-* -4	X			X			\$16,490 (1)	\$181 (A)	\$340
DN4000-M6A-19-* -8		X		X			\$19,740 (1)	\$197 (A)	\$340
DN4000-M6-19-* -4	X			X	X		\$16,990 (1)	\$187 (A)	\$340
DN4000-M6-19-* -8		X		X	X		\$20,240 (1)	\$206 (A)	\$340
DN4000-M7-19-* -4	X			X		X	\$18,490 (1)	\$193 (A)	\$340
DN4000-M7-19-* -8		X		X		X	\$21,740 (1)	\$209 (A)	\$340
<b>15" 1024X800 8-Plane Color</b>									
DN4000-E1-15-* -4	X						\$13,990 (1)	\$111 (A)	\$340
DN4000-E1-15-* -8		X					\$17,240 (1)	\$127 (A)	\$340
DN4000-E4A-15-* -4	X		X				\$18,490 (1)	\$168 (A)	\$340
DN4000-E4A-15-* -8		X	X				\$21,740 (1)	\$184 (A)	\$340
DN4000-E4-15-* -4	X		X		X		\$18,990 (1)	\$177 (A)	\$340
DN4000-E4-15-* -8		X	X		X		\$22,240 (1)	\$193 (A)	\$340
DN4000-E5-15-* -4	X		X			X	\$20,490 (1)	\$180 (A)	\$340
DN4000-E5-15-* -8		X	X			X	\$23,740 (1)	\$196 (A)	\$340
DN4000-E6A-15-* -4	X			X			\$21,490 (1)	\$202 (A)	\$340
DN4000-E6 A-15-* -8		X		X			\$24,740 (1)	\$218 (A)	\$340
DN4000-E6-15-* -4	X			X	X		\$21,990 (1)	\$211 (A)	\$340
DN4000-E6-15-* -8		X		X	X		\$25,240 (1)	\$227 (A)	\$340
DN4000-E7-15-* -4	X			X		X	\$23,490 (1)	\$214 (A)	\$340
DN4000-E7-15-* -8		X		X		X	\$26,740 (1)	\$230 (A)	\$340
<b>19" 1024X800 8-Plane Color</b>									
DN4000-E1-19-* -4	X						\$16,990 (1)	\$114 (A)	\$340
DN4000-E1-19-* -8		X					\$20,240 (1)	\$130 (A)	\$340
DN4000-E4A-19-* -4	X		X				\$21,490 (1)	\$171 (A)	\$340
DN4000-E4A-19-* -8		X	X				\$24,740 (1)	\$187 (A)	\$340
DN4000-E4-19-* -4	X		X		X		\$21,990 (1)	\$180 (A)	\$340
DN4000-E4-19-* -8		X	X		X		\$25,240 (1)	\$196 (A)	\$340
DN4000-E5-19-* -4	X		X			X	\$23,490 (1)	\$183 (A)	\$340
DN4000-E5-19-* -8		X	X			X	\$26,740 (1)	\$199 (A)	\$340
DN4000-E6A-19-* -4	X			X			\$24,490 (1)	\$205 (A)	\$340
DN4000-E6A-19-* -8		X		X			\$27,740 (1)	\$221 (A)	\$340
DN4000-E6-19-* -4	X			X	X		\$24,990 (1)	\$214 (A)	\$340
DN4000-E6-19-* -8		X		X	X		\$28,240 (1)	\$230 (A)	\$340
DN4000-E7-19-* -4	X			X		X	\$26,490 (1)	\$217 (A)	\$340
DN4000-E7-19-* -8		X		X		X	\$29,740 (1)	\$233 (A)	\$340

## Domain Series 4000 Workstations Cont'd

	MEMORY		STORAGE CAPACITY		DEVICE		List Price	MMC	FIC
	4MB	8MB	155MB	348MB	Floppy	Tape			
<b>19" 1280x1024 8-plane Color Accelerator</b>									
DN4000-F1-19-*--4	X						\$20,990 (1)	\$134 (A)	\$340
DN4000-F1-19-*--8		X					\$24,240 (1)	\$150 (A)	\$340
DN4000-F4A-19-*--4	X		X				\$25,490 (1)	\$191 (A)	\$340
DN4000-F4A-19-*--8		X	X				\$28,740 (1)	\$207 (A)	\$340
DN4000-F4-19-*--4	X		X		X		\$25,990 (1)	\$200 (A)	\$340
DN4000-F4-19-*--8		X	X		X		\$29,240 (1)	\$216 (A)	\$340
DN4000-F5-19-*--4	X		X			X	\$27,490 (1)	\$203 (A)	\$340
DN4000-F5-19-*--8		X	X			X	\$30,740 (1)	\$219 (A)	\$340
DN4000-F6A-19-*--4	X			X			\$28,490 (1)	\$225 (A)	\$340
DN4000-F6A-19-*--8		X		X			\$31,740 (1)	\$241 (A)	\$340
DN4000-F6-19-*--4	X			X	X		\$28,990 (1)	\$234 (A)	\$340
DN4000-F6-19-*--8		X		X	X		\$32,240 (1)	\$250 (A)	\$340
DN4000-F7-19-*--4	X			X		X	\$30,490 (1)	\$237 (A)	\$340
DN4000-F7-19-*--8		X		X		X	\$33,740 (1)	\$253 (A)	\$340

## Domain Series 4000 Servers

	MEMORY		STORAGE CAPACITY		DEVICE		List Price	MMC	FIC
	4MB	8MB	155MB	348MB	Floppy	Cartridge			
<b>Domain Series 4000 Servers</b>									
DSP4000-S5-*--4	X		X			X	\$13,990 (1)	\$148 (A)	\$340
DSP4000-S5-*--8		X	X			X	\$17,240 (1)	\$164 (A)	\$340
DSP4000-S7-*--4	X			X		X	\$16,990 (1)	\$187 (A)	\$340
DSP4000-S7-*--8		X		X		X	\$20,240 (1)	\$203 (A)	\$340

## DOMAIN SERIES 4000 OPTIONS +

Model No.	Description	Prerequisites	List	MMC	FIC
A-ADD-4MB	4MB add-on memory board	DN4000 or DSP4000	\$3,250(1)	\$16	\$155
A-ADD-8MB	8MB add-on memory board	DN4000 or DSP4000	\$6,500(1)	\$32	\$200
A-ADD-WFC-D	Winchester/floppy disk controller (supports 155MB and 348MB disks)	DN4000, or DSP4000	\$1,000(2)	*	\$145
A-ADD-155M	155MB Winchester disk drive (formatted capacity)	A-ADD-WFC-D	\$3,500(2)	*	\$270
A-ADD-348FA	348MB fast actuator Winchester disk drive (formatted capacity)	A-ADD-WFC-D	\$6,500(2)	*	\$270
A-ADD-348E	External 348MB disk expansion module <b>The external disk expansion module is not customer installable.</b>	DN4000 or DSP4000 with 348MB disk	\$8,000(1)	\$79	\$270
<p>Every DN4000 FPA requires SR9.7.1 or SR10.1 or later. To obtain the SR9.7.1 release you must order SFW-AEGIS-MED</p>					
A-ADD-FPA	Floating Point Accelerator and SFW-PSK-MED	DN4000, or DSP4000	\$3,500(1)	\$20	\$180
<p>Every DN4000 A-ADD-348E requires SR9.7.1 or SR10.1 or later. To obtain the SR9.7.1 release you must order SFW-AEGIS-MED                      Every DN4000 FPA configuration requires a Product Support Kit. To obtain the required Product Support Kit you must order <b>SFW-PSK-MED</b>-*                      Every Floating Point Accelerator requires new SR9.7.1 compilers. Non-Maintenance customers must order SFW-PAS-MED and/or SFW-FTN-MED and/or SFW-C-MED.</p>					
A-ADD-FLP	1.2MB 5-1/4" floppy disk drive	A-ADD-WFC-D	\$500(2)	*	\$195
A-ADD-TC	Cartridge tape drive and controller	DN4000, or DSP4000	\$2,000(2)	*	\$340
ADD-DN3CK-†	Includes: Keyboard, keyboard cable, mouse, country-specific power cord	N/A	\$750(1)	\$7	N/A
SFW-AEGIS-MED-T	Media for Aegis Operating System SR9.7.1	DN4000-F	\$110(N)		
SFW-AEGIS-MED-F	This version is a prerequisite for DN4000 FPA or	FPA or	\$272(N)		
SFW-AEGIS-MED-H	FPA and DN4000 disk expansion module	A-ADD-348E	\$272(N)		
SFW-AEGIS-MED-C			\$194(N)		
SFW-PSK-MED-T	Product Support Kit: prerequisite for	DN4000-F or	\$21(N)		
SFW-PSK-MED-F	DN4000-F and DN4000 FPA	FPA	\$11(N)		
SFW-PSK-MED-H			\$11(N)		
SFW-PSK-MED-C			\$30(N)		

**Notes:**

+ THESE PRODUCTS MAY BE INSTALLED, AT CUSTOMER'S OPTION, BY COMPUTER KNOWLEDGE-ABLE CUSTOMERS WHO CAREFULLY READ AND FOLLOW THE INSTRUCTIONS IN THE INSTALLATION MANUAL. CUSTOMERS WHO ELECT TO HAVE THE PRODUCT INSTALLED BY APOLLO FIELD PERSONNEL WILL BE CHARGED THE APPLICABLE FIC, PURSUANT TO APOLLO'S THEN CURRENT TERMS AND CONDITIONS.

† You must specify the COUNTRY suffix which corresponds to the system's final country destination. NA=North America, GY=Germany, UK=United Kingdom, FR = France, NL = Netherlands, IT = Italy, CH = Switzerland, SW = Sweden/Finland, AUS = Australia, DK = Denmark, NW = Norway, ISR = Israel

\* Packaged configuration model numbers and price should be adjusted to reflect the new configuration.

# DOMAIN SERIES 4500 PERSONAL SUPER WORKSTATIONS AND SERVERS

Each Domain Series 4500 Personal Super Workstation and server includes the following:

- 33MHz MC68030 processor with 33MHz MC68882 floating point coprocessor
- 8MB or 16MB main memory (interleaved); expandable to 32MB with four 8MB boards
- 3 asynchronous RS232-C ports [Cable must be ordered seperately through Instant Apollo to support more than one port]
- 7 slot IBM PC/AT compatible bus
- Choice of Apollo token ring or ETHERNET/IEEE 802.3 network controller
- Switch selectable power supply for 120V/240V operation
- Country kit (**Must be ordered separately, see prerequisites**)
- Operating system license (including all environments - System V, BSD, and Aegis)
- Documentation: Unpacking and Installing the DN4500 Personal Super Workstation and the DSP4500 Server
  - Installing the Graphics Controller (Workstation only)
  - Installing the Network Controller
  - Technical Publications Overview

## DOMAIN SERIES 4500 MONOCHROME WORKSTATIONS

Each Domain Series 4500 monochrome workstation includes the following:

- Monochrome graphics controller
- 19", 1280x1024, 64Hz, non-interlaced monochrome display
- One optional 5-1/4" Winchester disk providing 155MB or 348MB formatted capacity
- One optional 5-1/4" half height removable device (either 1.2MB floppy disk or 60MB cartridge tape)

## DOMAIN SERIES 4500 COLOR WORKSTATIONS

Each Domain Series 4500 color workstation includes the following:

- 8-plane color graphics controller with either 15" or 19", 1024x800 60 HZ non-interlaced display or 8-plane graphics accelerator with 19" 1280x1024, 68 HZ, non-interlaced color display
- One optional 5-1/4" Winchester disk providing 155MB or 348MB formatted capacity
- One optional 5-1/4" half height removable device (either 1.2MB floppy disk or 60MB cartridge tape)

## DOMAIN SERIES 4500 SERVERS

Each Domain Series 4500 Server includes the following:

- One 5-1/4" Winchester disk providing 155MB or 348MB formatted capacity
- One 5-1/4" half height removable 60MB cartridge tape

### Prerequisites

Every Domain Series DN4500 requires SR10.1

### Workstation Country Kit †

With every Domain Series 4500 Workstation you **must order a country kit** as a no charge line item. The country kit (DN3CK-) includes keyboard, keyboard cable, mouse, country specific power cord.

### Server Country Kit †

With every Domain Series 4500 Server you **must order a country kit** as a no charge line item. The country kit (DSPCK-) includes a country specific power cord.

### Network Cabling

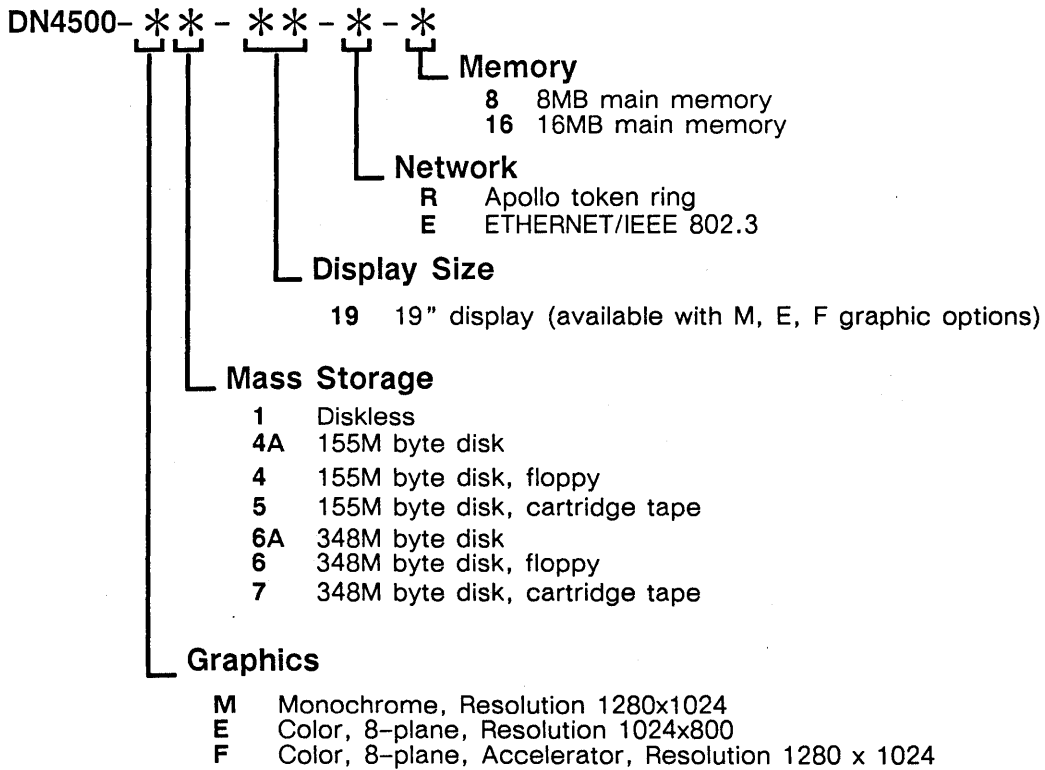
Network cabling must be ordered separately from the Domain System User/Accessories Catalog. (Either Domain Quick Connect or BNC cable for Apollo token ring or ETHERNET cabling.)

**Notes:** † You must specify the COUNTRY suffix which corresponds to the system's final country destination:  
NA=North America, GY=Germany, UK=United Kingdom, FR=France, NL=Netherlands, IT=Italy,  
CH=Switzerland, SW=Sweden/Finland, AUS= Australia, DK=Denmark, NW=Norway, ISR-Israel

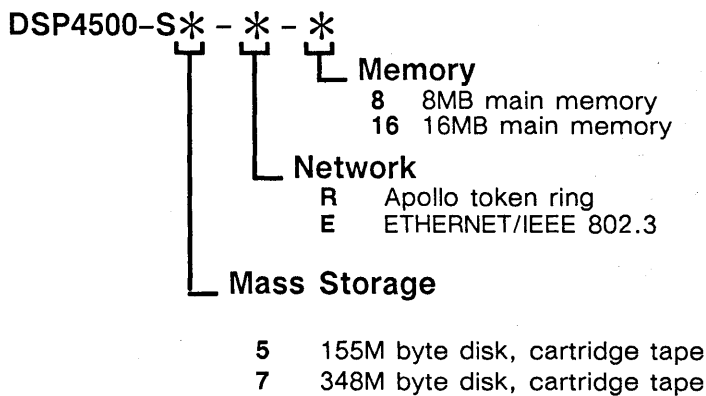
**Important:** Read notes on each page prior to determining the required configuration.

# Model Number Definition for Domain Series 4500 Personal Super Workstation and Server

## Workstation



## Servers



# Domain Series 4500 Workstations

	MEMORY		STORAGE CAPACITY		DEVICE		List Price	MMC	FIC
	8MB	16MB	155MB	348MB	Floppy	Tape			
<b>19" 1280x1024 Monochrome</b>									
DN4500-M1-19-*--8	X						\$18,990 (1)	\$116 (A)	\$340
DN4500-M1-19-*--16		X					\$25,490 (1)	\$148 (A)	\$340
DN4500-M4A-19-*--8	X		X				\$23,490 (1)	\$173 (A)	\$340
DN4500-M4A-19-*--16		X	X				\$29,990 (1)	\$205 (A)	\$340
DN4500-M4-19-*--8	X		X		X		\$23,990 (1)	\$182 (A)	\$340
DN4500-M4-19-*--16		X	X		X		\$30,490 (1)	\$214 (A)	\$340
DN4500-M5-19-*--8	X		X			X	\$25,490 (1)	\$185 (A)	\$340
DN4500-M5-19-*--16		X	X			X	\$31,990 (1)	\$217 (A)	\$340
DN4500-M6A-19-*--8	X			X			\$26,490 (1)	\$207 (A)	\$340
DN4500-M6A-19-*--16		X		X			\$32,990 (1)	\$239 (A)	\$340
DN4500-M6-19-*--8	X			X	X		\$26,990 (1)	\$216 (A)	\$340
DN4500-M6-19-*--16		X		X	X		\$33,490 (1)	\$248 (A)	\$340
DN4500-M7-19-*--8	X			X		X	\$28,490 (1)	\$219 (A)	\$340
DN4500-M7-19-*--16		X		X		X	\$34,990 (1)	\$251 (A)	\$340
<b>19" 1024X800 8-Plane Color</b>									
DN4500-E1-19-*--8	X						\$24,990 (1)	\$140 (A)	\$340
DN4500-E1-19-*--16		X					\$31,490 (1)	\$172 (A)	\$340
DN4500-E4A-19-*--8	X		X				\$29,490 (1)	\$197 (A)	\$340
DN4500-E4A-19-*--16		X	X				\$35,990 (1)	\$229 (A)	\$340
DN4500-E4-19-*--8	X		X		X		\$29,990 (1)	\$206 (A)	\$340
DN4500-E4-19-*--16		X	X		X		\$36,490 (1)	\$238 (A)	\$340
DN4500-E5-19-*--8	X		X			X	\$31,490 (1)	\$209 (A)	\$340
DN4500-E5-19-*--16		X	X			X	\$37,990 (1)	\$241 (A)	\$340
DN4500-E6A-19-*--8	X			X			\$32,490 (1)	\$231 (A)	\$340
DN4500-E6A-19-*--16		X		X			\$38,990 (1)	\$263 (A)	\$340
DN4500-E6-19-*--8	X			X	X		\$32,990 (1)	\$240 (A)	\$340
DN4500-E6-19-*--16		X		X	X		\$39,490 (1)	\$272 (A)	\$340
DN4500-E7-19-*--8	X			X		X	\$34,490 (1)	\$243 (A)	\$340
DN4500-E7-19-*--16		X		X		X	\$40,990 (1)	\$275 (A)	\$340

## Domain Series 4500 Workstations

	MEMORY		STORAGE CAPACITY		DEVICE		List Price	MMC	FIC
	8MB	16MB	155MB	348MB	Floppy	Tape			
<b>19" 1280x1024 8-plane Color Accelerator</b>									
DN4500-F1-19-*--8	X						\$28,990 (1)	\$160 (A)	\$340
DN4500-F1-19-*--16		X					\$35,490 (1)	\$192 (A)	\$340
DN4500-F4A-19-*--8	X		X				\$33,490 (1)	\$217 (A)	\$340
DN4500-F4A-19-*--16		X	X				\$39,990 (1)	\$249 (A)	\$340
DN4500-F4-19-*--8	X		X		X		\$33,990 (1)	\$226 (A)	\$340
DN4500-F4-19-*--16		X	X		X		\$40,490 (1)	\$258 (A)	\$340
DN4500-F5-19-*--8	X		X			X	\$35,490 (1)	\$229 (A)	\$340
DN4500-F5-19-*--16		X	X			X	\$41,990 (1)	\$261 (A)	\$340
DN4500-F6A-19-*--8	X			X			\$36,490 (1)	\$251 (A)	\$340
DN4500-F6A-19-*--16		X		X			\$42,990 (1)	\$283 (A)	\$340
DN4500-F6-19-*--8	X			X	X		\$36,990 (1)	\$260 (A)	\$340
DN4500-F6-19-*--16		X		X	X		\$43,490 (1)	\$292 (A)	\$340
DN4500-F7-19-*--8	X			X		X	\$38,490 (1)	\$263 (A)	\$340
DN4500-F7-19-*--16		X		X		X	\$44,990 (1)	\$295 (A)	\$340

## Domain Series 4500 Servers

	MEMORY		STORAGE CAPACITY		DEVICE		List Price	MMC	FIC
	8MB	16MB	155MB	348MB	Floppy	Cartridge			
<b>Domain Series 4500 Server</b>									
DSP4500-S5-*--8	X		X			X	\$23,990 (1)	\$174 (A)	\$340
DSP4500-S5-*--16		X	X			X	\$30,490 (1)	\$206 (A)	\$340
DSP4500-S7-*--8	X			X		X	\$26,990 (1)	\$208 (A)	\$340
DSP4500-S7-*--16		X		X		X	\$33,490 (1)	\$240 (A)	\$340

## DOMAIN SERIES 4500 OPTIONS +

Model No.	Description	Prerequisites	List	MMC	FIC
A-ADD-8MB-B	8MB add-on memory (two 4MB memory boards)	DN4500 or DSP4500	\$6,500(1)	\$32	\$200
A-ADD-16MB-B	16MB add-on memory (two 8MB memory boards)	DN4500 or DS4500	\$13,000(1)	\$64	\$255
You may only order ONE memory add-on, either 8MB or 16MB					
A-ADD-WFC-D	Winchester/floppy disk controller (supports 155MB and 348MB disks)	DN4500, or DSP4500	\$1,000(2)	*	\$145
A-ADD-155M	155MB Winchester disk drive (formatted capacity)	A-ADD-WFC-D	\$3,500(2)	*	\$270
A-ADD-348FA	348MB fast actuator Winchester disk drive, (formatted capacity)	A-ADD-WFC-D	\$6,500(2)	*	\$270
A-ADD-348E	External 348MB disk expansion module <b>The external disk expansion module is not customer installable.</b>	DN4500 or DSP4500 with 348MB disk	\$8,000(1)	\$79	\$270
A-ADD-FPA	Floating Point Accelerator	DN4500, DSP4500	\$3,500(1)	\$20	\$180
A-ADD-FLP	1.2MB 5-1/4" floppy disk drive	A-ADD-WFC-D	\$500(2)	*	\$195
A-ADD-TC	Cartridge tape drive and controller	DN4500, DSP4500	\$2,000(2)	*	\$340
ADD-DN3CK-†	Includes: Keyboard, keyboard cable, mouse, country-specific power cord	N/A	\$750(1)	\$7	N/A
SFW-OS-T	MEDIA AND DOCUMENTATION FOR DOMAIN/OS SR10.1 (INCLUDES SFW-OS-MED, ALL USER AND SYSTEMS ADMINISTRATION DOCUMENTATION)		\$590(N)		
SFW-OS-F			\$1,175(N)		
SFW-OS-H			\$1,175(N)		
SFW-OS-C			\$590(N)		

**Notes:**

+ THESE PRODUCTS MAY BE INSTALLED, AT CUSTOMER'S OPTION, BY COMPUTER KNOWLEDGE-ABLE CUSTOMERS WHO CAREFULLY READ AND FOLLOW THE INSTRUCTIONS IN THE INSTALLATION MANUAL. CUSTOMERS WHO ELECT TO HAVE THE PRODUCT INSTALLED BY APOLLO FIELD PERSONNEL WILL BE CHARGED THE APPLICABLE FIC, PURSUANT TO APOLLO'S THEN CURRENT TERMS AND CONDITIONS.

† You must specify the COUNTRY suffix which corresponds to the system's final country destination. NA=North America, GY=Germany, UK=United Kingdom, FR = France, NL = Netherlands, IT = Italy, CH = Switzerland, SW = Sweden/Finland, AUS = Australia, DK = Denmark, NW = Norway, ISR = Israel

\* Packaged configuration model numbers and price should be adjusted to reflect the new configuration.



## DOMAIN SERIES 10000 PERSONAL SUPERCOMPUTERS

Each Domain Series 10000 Personal Supercomputer includes the following:

- 1 to 4 *PRISM* - based central processing units
- 8 to 128MB main memory
- 3 asynchronous RS232-C ports
- 5 slot VME bus 2x2 Eurocard
- 4 slot IBM PC/AT compatible bus
- Choice of Apollo token ring or ETHERNET/IEEE 802.3 network controller
- MC68020 Service Processor
- Switch selectable power supply for 120V/240V operation
- Country kit (**Must be ordered separately, see prerequisites**)
- Operating system license (including all environments - System V, BSD, and Aegis)

## DOMAIN SERIES 10000 COMPUTATIONAL WORKSTATIONS

Each Domain Series 10000 Computational Workstation includes the following:

- 8-plane color graphics controller providing 256 simultaneous colors from a palette of 16.7 million
- 19", 1024x800, 60Hz, non-interlaced color display
- One 5-1/4" Winchester disk providing 348MB formatted capacity

## DOMAIN SERIES 10000 SERVERS

Each Domain Series 10000 Server includes the following:

- One 5-1/4" Winchester disk providing 348MB formatted capacity

### Prerequisites

Every Domain Series 10000 Personal Supercomputer requires SR10.

### Workstation Country Kit †

With every Domain Series 10000 Computational Workstation you **must order a country kit** as a no charge line item. The country kit (DN10CK- ) includes keyboard, keyboard cable, mouse, country specific power cord.

### Server Country Kit †

With every Domain Series 10000 Server you **must order a country kit** as a no charge line item. The country kit (DSP10CK- ) includes a country specific power cord.

### Network Cabling

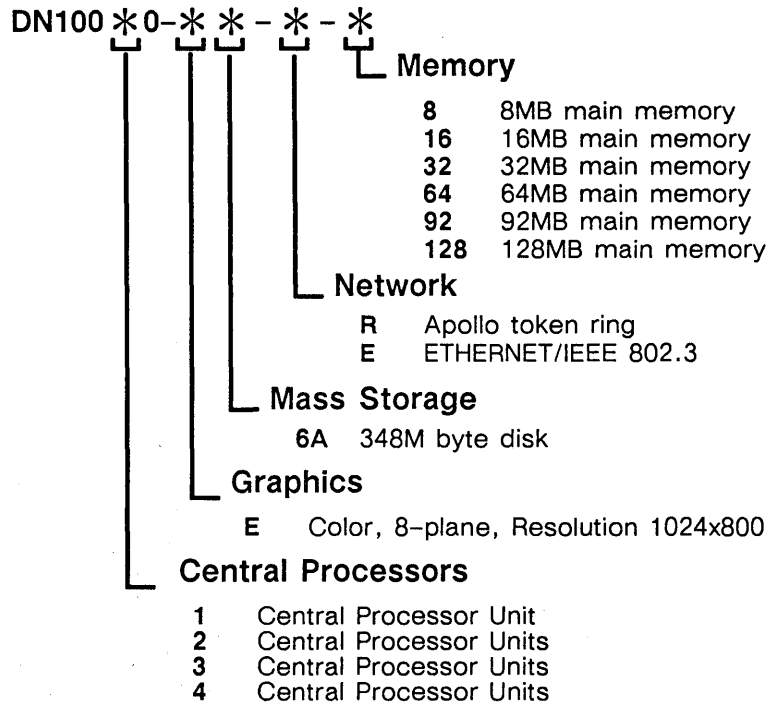
Network cabling must be ordered separately from the Domain System User/Accessories Catalog. (Either Domain Quick Connect or BNC cable for Apollo token ring or ETHERNET cabling.)

**Notes:** † You must specify the COUNTRY suffix which corresponds to the system's final country destination:  
NA=North America, GY=Germany, UK=United Kingdom, FR=France, NL=Netherlands, IT=Italy,  
CH=Switzerland, SW=Sweden/Finland, AUS= Australia, DK=Denmark, NW=Norway, ISR-Israel

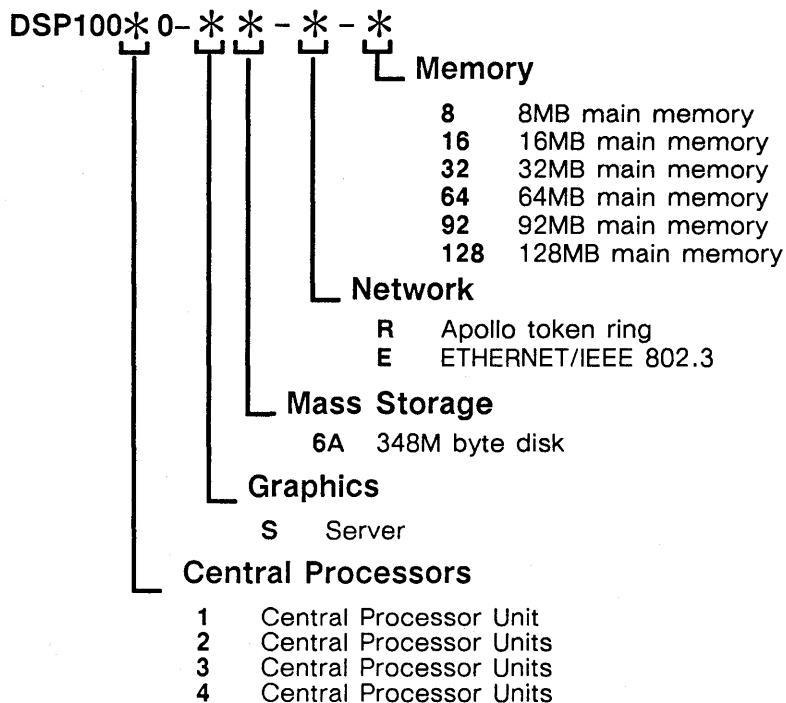
**Important:** Read notes on each page prior to determining the required configuration.

# Model Number Definition for Domain Series 10000 Computational Workstation and Server

## Workstation



## Server



## Domain Series 10000 Servers †

	CPU	MEMORY	STORAGE CAPACITY	List Price	MMC	FIC
<b>DSP10010 Servers</b>						
DSP10010-S6A-*-8	1	8MB	348MB	\$69,900 (1)	\$490 (A)	\$340
DSP10010-S6A-*-16	1	16MB	348MB	\$77,100 (1)	\$502 (A)	\$340
DSP10010-S6A-*-32	1	32MB	348MB	\$89,100 (1)	\$526 (A)	\$340
DSP10010-S6A-*-64	1	64MB	348MB	\$114,700 (1)	\$574 (A)	\$340
DSP10010-S6A-*-96	1	96MB	348MB	\$140,300 (1)	\$622 (A)	\$340
DSP10010-S6A-*-128	1	128MB	348MB	\$165,900 (1)	\$670 (A)	\$340

	CPU	MEMORY	STORAGE CAPACITY	List Price	MMC	FIC
<b>DSP10020 Servers</b>						
DSP10020-S6A-*-8	2	8MB	348MB	\$89,900 (1)	\$580 (A)	\$340
DSP10020-S6A-*-16	2	16MB	348MB	\$97,100 (1)	\$592 (A)	\$340
DSP10020-S6A-*-32	2	32MB	348MB	\$109,100 (1)	\$616 (A)	\$340
DSP10020-S6A-*-64	2	64MB	348MB	\$134,700 (1)	\$664 (A)	\$340
DSP10020-S6A-*-96	2	96MB	348MB	\$160,300 (1)	\$712 (A)	\$340
DSP10020-S6A-*-128	2	128MB	348MB	\$185,900 (1)	\$760 (A)	\$340

	CPU	MEMORY	STORAGE CAPACITY	List Price	MMC	FIC
<b>DSP10030 Servers</b>						
DSP10030-S6A-*-8	3	8MB	348MB	\$109,900 (1)	\$670 (A)	\$340
DSP10030-S6A-*-16	3	16MB	348MB	\$117,100 (1)	\$682 (A)	\$340
DSP10030-S6A-*-32	3	32MB	348MB	\$129,100 (1)	\$706 (A)	\$340
DSP10030-S6A-*-64	3	64MB	348MB	\$154,700 (1)	\$754 (A)	\$340
DSP10030-S6A-*-96	3	96MB	348MB	\$180,300 (1)	\$802 (A)	\$340
DSP10030-S6A-*-128	3	128MB	348MB	\$205,900 (1)	\$850 (A)	\$340

	CPU	MEMORY	STORAGE CAPACITY	List Price	MMC	FIC
<b>DSP10040 Servers</b>						
DSP10040-S6A-*-8	4	8MB	348MB	\$129,900 (1)	\$760 (A)	\$340
DSP10040-S6A-*-16	4	16MB	348MB	\$137,100 (1)	\$772 (A)	\$340
DSP10040-S6A-*-32	4	32MB	348MB	\$149,100 (1)	\$796 (A)	\$340
DSP10040-S6A-*-64	4	64MB	348MB	\$174,700 (1)	\$844 (A)	\$340
DSP10040-S6A-*-96	4	96MB	348MB	\$200,300 (1)	\$892 (A)	\$340
DSP10040-S6A-*-128	4	128MB	348MB	\$225,900 (1)	\$940 (A)	\$340

# Domain Series 10000 Computational Workstation †

	CPU	MEMORY	STORAGE CAPACITY	List Price	MMC	FIC
<b>DN10010, 19", 1024X800, 8-Plane Computational Workstations</b>						
DN10010-E6A-*-8	1	8MB	348MB	\$79,900 (1)	\$550 (A)	\$340
DN10010-E6A-*-16	1	16MB	348MB	\$87,100 (1)	\$562 (A)	\$340
DN10010-E6A-*-32	1	32MB	348MB	\$99,100 (1)	\$586 (A)	\$340
DN10010-E6A-*-64	1	64MB	348MB	\$124,700 (1)	\$634 (A)	\$340
DN10010-E6A-*-96	1	96MB	348MB	\$150,300 (1)	\$682 (A)	\$340
DN10010-E6A-*-128	1	128MB	348MB	\$175,900 (1)	\$730 (A)	\$340

	CPU	MEMORY	STORAGE CAPACITY	List Price	MMC	FIC
<b>DN10020, 19", 1024X800, 8-Plane Computational Workstations</b>						
DN10020-E6A-*-8	2	8MB	348MB	\$99,900 (1)	\$640 (A)	\$340
DN10020-E6A-*-16	2	16MB	348MB	\$107,100 (1)	\$652 (A)	\$340
DN10020-E6A-*-32	2	32MB	348MB	\$119,100 (1)	\$676 (A)	\$340
DN10020-E6A-*-64	2	64MB	348MB	\$144,700 (1)	\$724 (A)	\$340
DN10020-E6A-*-96	2	96MB	348MB	\$170,300 (1)	\$772 (A)	\$340
DN10020-E6A-*-128	2	128MB	348MB	\$195,900 (1)	\$820 (A)	\$340

	CPU	MEMORY	STORAGE CAPACITY	List Price	MMC	FIC
<b>DN10030, 19", 1024X800, 8-Plane Computational Workstations</b>						
DN10030-E6A-*-8	3	8MB	348MB	\$119,900 (1)	\$730 (A)	\$340
DN10030-E6A-*-16	3	16MB	348MB	\$127,100 (1)	\$742 (A)	\$340
DN10030-E6A-*-32	3	32MB	348MB	\$139,100 (1)	\$766 (A)	\$340
DN10030-E6A-*-64	3	64MB	348MB	\$164,700 (1)	\$814 (A)	\$340
DN10030-E6A-*-96	3	96MB	348MB	\$190,300 (1)	\$862 (A)	\$340
DN10030-E6A-*-128	3	128MB	348MB	\$215,900 (1)	\$910 (A)	\$340

	CPU	MEMORY	STORAGE CAPACITY	List Price	MMC	FIC
<b>DN10040, 19", 1024X800, 8-Plane Computational Workstations</b>						
DN10040-E6A-*-8	4	8MB	348MB	\$139,900 (1)	\$820 (A)	\$340
DN10040-E6A-*-16	4	16MB	348MB	\$147,100 (1)	\$832 (A)	\$340
DN10040-E6A-*-32	4	32MB	348MB	\$159,100 (1)	\$856 (A)	\$340
DN10040-E6A-*-64	4	64MB	348MB	\$184,700 (1)	\$904 (A)	\$340
DN10040-E6A-*-96	4	96MB	348MB	\$210,300 (1)	\$952 (A)	\$340
DN10040-E6A-*-128	4	128MB	348MB	\$235,900 (1)	\$1,000 (A)	\$340

## Domain Series 10000 Options +

Model No.	Description	Prerequisites	List	MMC	FIC
X-348FA	Factory Installed 348MB Fast actuator Winchester disk drive (formatted capacity) (maximum 4 disk drives, 2 per disk controller)	DN100x0 DSP100x0 or X-MSD-348FA	\$6,500(1)	\$84	\$270
X-MSD-348FA	Factory Installed 348MB Fast actuator Winchester disk drive and controller (formatted capacity) (maximum 2 disk controllers, 4 disk drives, 2 per disk controller)	DN100x0, or DSP100x0	\$10,500(1)	\$97	\$270
X-FLP	Factory Installed 1.2MB 5-1/4" floppy disk drive	X-TFC	\$500(1)	\$10	\$195
X-TC	Factory Installed Cartridge tape drive	X-TFC	\$1,000(1)	\$13	\$340
X-TFC	Factory Installed Cartridge tape drive and/or floppy controller	DN100x0 or DSP100x0	\$1,500(1)	\$13	\$340

# DN5XXT WORKSTATIONS AND SERVERS

## PREREQUISITES

Every packaged system requires at least software release SR9.6. Customers must order the appropriate software media and Documentation model number.

### Workstation Country Kit †

With every DN5XXT Workstation you **must order a country kit** as a no charge line item

DN5CK- Includes keyboard, keyboard cable, mouse, country specific power cord

### Server Country Kit †

With every DN5XXT Server you **must order a country kit** as a no-charge line item

DSP5CK- Includes country specific power cord

† You must specify the COUNTRY suffix which corresponds to the system's final country destination:  
NA=North America, GY=Germany, UK=United Kingdom, FR=France, NL=Netherlands, IT=Italy,  
CH=Switzerland, SW=Sweden/Finland, AUS= Australia, DK=Denmark, NW=Norway, ISR=Israel

## DN590T WORKSTATIONS

Each DN590T Workstation includes the following:

- 68020 Processor with 68881 Floating Point Coprocessor
- 8MB Main Memory
- 2 Asynchronous RS232-C Ports
- 19" Color Monitor with display resolution of 1280 x 1024
- 24 Plane Dedicated Display Memory
- 3D Graphics Accelerator (3DGA™)
- Floating Point Accelerator (FPX™)
- 3DGMR™ Graphics Software License (Maintenance charges are not included in the package MMC)
- High Performance Dedicated Drawing Processor
- Country Kit (**Must be ordered separately, see prerequisites**)
- Operating system license (including all environments - System V, BSD, and Aegis)
- Documentation: Unpacking and Installation, Operation, Site Preparation and Planning Guide  
I/O Device Installation, Technical Publications Overview

## DN580T WORKSTATIONS

Each DN580T-3DW Workstation includes the following:

- 68020 Processor with 68881 Floating Point Coprocessor
- 8MB Main Memory
- 2 Asynchronous RS232-C Ports
- 19" Color Monitor with display resolution of 1280 x 1024
- 8 Plane Dedicated Display Memory
- 3D Graphics Accelerator (3DGA™)
- Floating Point Accelerator (FPX™)
- 3DGMR™ Graphics Software License (Maintenance charges are not included in the package MMC)
- High Performance Dedicated Drawing Processor
- Country Kit (**Must be ordered separately, see prerequisites**)
- Operating system license (including all environments - System V, BSD, and Aegis)
- Documentation: Unpacking and Installation, Operation, Site Preparation and Planning Guide  
I/O Device Installation, Technical Publications Overview

# DN5XT WORKSTATIONS AND SERVERS Cont'd

## DN580T WORKSTATIONS Cont'd

Each DN580T-2D Workstation includes the following:

- 68020 Processor with 68881 Floating Point Coprocessor
- 8MB Main Memory
- 2 Asynchronous RS232-C Ports
- 19" Color Monitor with display resolution of 1280 x 1024
- 8 Plane Dedicated Display Memory
- GSR Graphics Software License (GSR Maintenance charges are not included in the package MMC)
- High Performance Dedicated Drawing Processor
- Country Kit (**Must be ordered separately, see prerequisites**)
- Operating system license (including all environments - System V, BSD, and Aegis)
- Documentation: Unpacking and Installation, Operation, Site Preparation and Planning Guide  
I/O Device Installation, Technical Publications Overview

## DN570T WORKSTATIONS

Each DN570T-P Workstation includes the following:

- 68020 Processor with 68881 Floating Point Coprocessor
- 8MB Main Memory
- 2 Asynchronous RS232-C Ports
- 19" Color Monitor with display resolution of 1024 x 800
- 8 Plane Dedicated Display Memory
- GSR™ Graphics Software License (GSR Maintenance charges are not included in the package MMC)
- Floating Point Accelerator (FPX)
- High Performance Dedicated Drawing Processor
- Country Kit (**Must be ordered separately, see prerequisites**)
- Operating system license (including all environments - System V, BSD, and Aegis)
- Documentation: Unpacking and Installation, Operation, Site Preparation and Planning Guide  
I/O Device Installation, Technical Publications Overview

## DSP500T SERVERS

Each DSP500T Server includes the following:

- 68020 Processor with 68881 Floating Point Coprocessor
- 8MB Main Memory
- 2 Asynchronous RS232-C Ports
- Country Kit (**Must be ordered separately, see prerequisites**)
- Operating system license (including all environments - System V, BSD, and Aegis)
- Documentation: Unpacking and Installation, Operation, Site Preparation and Planning Guide  
I/O Device Installation, Technical Publications Overview

## DN5XXT WORKSTATIONS AND SERVERS Cont'd

	MEMORY			STORAGE CAPACITY		BUS	NET-WORK	List Price	MMC	FIC			
	8MB	155MB	348MB	D348MB									
<b>DN590T Workstations</b>													
DN590T-3DS-2		X	X				A	\$69,900 (1)	\$508 (A)	\$340			
DN590T-3DS-2E		X	X			VME	E	\$72,900 (1)	\$543 (A)	\$340			
DN590T-3DS-3		X		X			A	\$75,900 (1)	\$538 (A)	\$340			
DN590T-3DS-3E		X		X		VME	E	\$78,900 (1)	\$573 (A)	\$340			
<b>DN580T Workstations</b>													
DN580T-3DW-2		X	X				A	\$63,900 (1)	\$508 (A)	\$340			
DN580T-3DW-2E		X	X			VME	E	\$66,900 (1)	\$543 (A)	\$340			
DN580T-3DW-3		X		X			A	\$69,900 (1)	\$538 (A)	\$340			
DN580T-3DW-3E		X		X		VME	E	\$72,900 (1)	\$573 (A)	\$340			
DN580T-2D-2		X	X				A	\$54,900 (1)	\$425 (A)	\$340			
DN580T-2D-2E		X	X			VME	E	\$57,900 (1)	\$460 (A)	\$340			
DN580T-2D-3		X		X			A	\$60,900 (1)	\$455 (A)	\$340			
DN580T-2D-3E		X		X		VME	E	\$63,900 (1)	\$490 (A)	\$340			
<b>DN570T-P Workstations</b>													
DN570T-P-2				X			A	\$46,900 (1)	\$379 (A)	\$340			
DN570T-P-2E				X		VME	E	\$49,900 (1)	\$414 (A)	\$340			
DN570T-P-3		X		X			A	\$52,900 (1)	\$409 (A)	\$340			
DN570T-P-3E		X		X		VME	E	\$55,900 (1)	\$444 (A)	\$340			
<b>DSP500T Servers</b>													
	MEMORY			STORAGE CAPACITY		TAPE			BUS	NET-WORK	List Price	MMC	FIC
	8 MB	16 MB	32 MB	348MB	D348MB	1/4" Cart.	1/2" Mag	no-ne					
<b>DSP500T-CS Servers</b>													
DSP500T-CS-1		X		X		X				A	\$57,700 (1)	\$492 (A)	\$340
DSP500T-CS-1E		X		X		X			VME	E	\$60,700 (1)	\$527 (A)	\$340
DSP500T-CS-2			X	X		X				A	\$71,800 (1)	\$572 (A)	\$340
DSP500T-CS-2E			X	X		X			VME	E	\$74,800 (1)	\$607 (A)	\$340
<b>DSP500T-FS Servers</b>													
DSP500T-FS-1	X			X		X			VME	A	\$45,900 (1)	\$409 (A)	\$340
DSP500T-FS-1E	X			X		X			VME	E	\$45,900 (1)	\$409 (A)	\$340
DSP500T-FS-2	X			X		X			MBUS	A	\$45,900 (1)	\$409 (A)	\$340
DSP500T-FS-3	X				X				VME	A	\$52,900 (1)	\$478 (A)	\$340
DSP500T-FS-3E	X				X				VME	E	\$52,900 (1)	\$478 (A)	\$340
DSP500T-FS-4	X				X				MBUS	A	\$52,900 (1)	\$478 (A)	\$340
DSP500T-FS-5	X				X			X	MBUS	A	\$74,900 (1)	\$653 (A)	\$340



## DN5XXT & DSP500T PACKAGED SYSTEM OPTIONS

Model No.	Description	Prerequisites	List	MMC	FIC
<b>MEMORY EXPANSION</b>					
<b>8MB</b>	8 MBYTE Memory expansion (Max.16 MBYTE total memory)	DN5XXT pkg system DSP500T-FS pkg systems only	<b>\$10,000(1)</b>	<b>\$80</b>	<b>\$200</b>
<b>16MB*</b>	16 MBYTE Memory expansion (Max.32 MBYTE total memory)	DSP500T-CS-1 SR9.6	<b>\$16,000(1)</b>	<b>\$120</b>	<b>\$255</b>
<b>24MB*</b>	24 MBYTE Memory expansion (Max.32 MBYTE total memory) UG-MS	DN570T pkg system DSP500T-FS-1 , DSP500T-FS-3 pkg systems or SR9.6	<b>\$24,000(1)</b>	<b>\$180</b>	<b>\$330</b>

\* 32MB cannot be supported on a MBUS system or 32MB cannot be supported on an MSD-86M or 190M system.

### DISK

<b>348M</b>	Additional ESDI 348MB 5-1/4" Winchester disk drive	DN5XXT pkg systems	<b>\$9,700(2)</b>	<b>\$84</b>	<b>\$340</b>
<b>TC</b>	1/4" Tape Cartridge	MSD-xxxM	<b>\$2,500(2)</b>	<b>\$13</b>	<b>\$340</b>

Note: Only one of the 2 (348M or TC) can be added to the DN5XXT packaged system.

### OTHER OPTIONS

<b>MBUS</b>	OPTIONAL 4-SLOT MULTIBUS peripheral adaptor Includes: I/F Adaptor, Power Supply, and Fans. Will only operate with a maximum of 16MB of memory.	DN5XXT Apollo ring pkg systems	<b>\$3,000(1)</b>	<b>\$35</b>	<b>\$340</b>
<b>VME</b>	VME Standard Chassis, 4 Slot, 2x2 Eurocard adaptor. Includes: I/F Adaptor, Power Supply, and Fans VME can not be installed in a system containing an MSD-86M or MSD-190M. Any system shipped before May 11th 1987 requires an upgrade before a VME option can be added. (Contact Customer Services).	DN5XXT Apollo ring pkg systems SR9.6	<b>\$3,000(1)</b>	<b>\$35</b>	<b>\$340</b>
<b>FPX</b>	Floating Point Accelerator	DN580T-2D-x, DN570T-P-x, DSP500T-FS pkg systems or SR9.7	<b>\$5,900(1)</b>	<b>\$38</b>	<b>\$180</b>

Note: Only one or the other (VME or MBUS) can be configured into a DN5XXT packaged system.

### MEDIA & DOCUMENTATION FOR OPERATING SYSTEMS ☆

Operating Systems		LIST	-T	-F	-H	-C
SFW-AEGIS	AEGIS (SR9.7.1)		\$240(1)	\$410(1)	\$410(1)	\$340(1)
SFW-IX	Domain/IX (SR9.7.1)		\$260(1)	\$425(1)	\$425(1)	\$280(1)
SFW-OS	Domain/OS (SR10)		\$590(1)	\$1,175(1)	\$1,175(1)	\$590(1)

☆ Type of media must be specified: (T = mag tape, F = 8" floppy, H = 5-1/4" floppy and C = cartridge tape).

# PC INTEGRATION PRODUCTS

Model No.	Description	Prerequisites	List	MMC	FIC
<b>PC COPROCESSOR</b>					
A-ADD-PCC	PC Coprocessor Board which provides an IBM PC/AT® compatible MS-DOS™ environment, in a window, on any DN3000, DN3010 or DN4000 workstation. Requires 1 AT slot. (Software available on 5-1/4" floppy only) free AT bus slot SR9.2.7 or later	DN3000, DSP3000, DN3010, DSP3010, DN4000 or DSP4000 with	\$2,500(1)	\$25	\$180
SFW-MSDOS-N-H	MS-DOS operating software and GWBASIC Interpreter (Available on 5-1/4" floppy only)	A-ADD-PCC	\$130(N)	+	+
SFW-REMOTE-N9-H	Software which provides access to the PC	A-ADD-PCC	\$900(1)	+	+
SFW-REMOTE-N9-C	Coprocessor board from any workstation on the Domain network. Sold on a per coprocessor basis. (Available on 5-1/4" floppy and cartridge tape only)	4MB system memory			
<b>PC EMULATOR</b>					
SFW-DPCE-N( )	Optional software license that provides an IBM PC compatible DOS environment in Domain windows. Includes media and documentation. (Available on 5-1/4" floppy, cartridge tape and mag tape only) Includes: License, media and documentation.	68020 based Workstations with 4MB memory SR9.5.1 or later	\$500(2)	+	+
<b>PC INTERCONNECT</b>					
SFW-PCI1-N9- ☆	DOMAIN/PCI-1 (Node only) Direct connection between one PC and one Domain workstation or server. Provides transparent file access, resource sharing and virtual terminal emulation to PC users. Software and documentation only. RS232-C cabling provided by customer.		\$550(1)	+	+
COM-PCI-RG9-H	PCI-Ring client: Controller board and client software for direct connection of IBM PC/XT or PC/AT and personal computers to Apollo's token ring network. compatible includes documentation and PC software on 5-1/4" floppy. (List price includes 1 year warranty with return to factory maintenance.) Network cables (Quick connect or BNC) must be ordered separately.	PC/XT, AT or compatible. running MS-DOS 3.1 or greater. SFW-PCI-RG	\$1,350(2)	N/A	N/A
SFW-PCI-RG-N9-H	PCI server: PCI server software for Apollo	SR9.5 or later	\$450(1)		
SFW-PCI-RG-N9-C	workstations. Includes license, media and documentation. Serves up to 8 client PCs.	4MB memory COM-PCI-RG			

## Corporate Licenses ■

Model No. Suffix	-1	-2	-3	-4	-5	-6	-7
List Price per License	2-9	10-24	25-49	50-99	100-249	250-499	500+
LIC-DPCE	\$300(N)	\$280(N)	\$260(N)	\$240(N)	\$220(N)	\$200(N)	\$180(N)
LIC-PCI-RNG	\$200(N)	\$200(N)	\$120(N)	\$120(N)	\$120(N)	\$120(N)	\$120(N)
LIC-PCI1	\$350(N)	\$350(N)	\$325(N)	\$300(N)	\$275(N)	\$250(N)	\$225(N)

## Media and Documentation for Corporate Licenses ■ ☆

Model No.	-T	-F	-H	-C
SFW-DPCE-MD( )	\$190(N)	N/A	\$130(N)	\$170(N)
SFW-PCI-RG-MD9	N/A	N/A	\$75(N)	\$100(N)
SFW-PCI1-MD9	\$165(N)	\$100(N)	\$100(N)	\$185(N)

( ) MUST SPECIFY SOFTWARE RELEASE NUMBER ( 9 = SR9.7 or SR9.7.1 or 10 = SR10 )

Refer to page 44 for a description of SR9 vs SR10 layered software products.

■ Refer to page 43 for descriptions for software pricing structure.

☆ Type of media must be specified (T = mag tape, F = 8" floppy, H = 5-1/4" floppy and C = cartridge tape).

# DOMAIN SOFTWARE PROGRAMS

## BUNDLED SOFTWARE PROGRAMS

Licenses, pursuant to Apollo's applicable software program license terms and conditions, to use the operating system and selected other software programs are granted with every node. User has the choice of either Aegis (SR9.7) and Domain/IX or Domain/OS (Apollo's single operating system that includes the choice of three environments - System V.3, 4.3BSD and Aegis). Distribution Media and/or Documentation are sold separately for category A products.

One media set can be used for multiple nodes for these bundled software programs.

Media and Documentation (category B products) for the Aegis operating system included at no charge for End Users on the following nodes and servers: DSP90, and DSP90R.

Type of media must be specified: (T = mag tape, F = 8" floppy, H = 5-1/4" floppy and C = cartridge tape).

### BUNDLED SOFTWARE PROGRAMS ☆ \*

Model No.	Description	List
<b>Operating Systems</b>		
SFW-OS-T	MEDIA AND DOCUMENTATION FOR DOMAIN/OSSR10: A SINGLE OPERATING SYSTEM THAT INCLUDES SYSTEM V.3, 4.3 BSD AND AEGIS ENVIRONMENTS (INCLUDES SFW-OS-MED, ALL USER AND SYSTEM ADMINISTRATOR DOCUMENTATION)	\$590(1)
SFW-OS-F		\$1,175(1)
SFW-OS-H		\$1,175(1)
SFW-OS-C		\$590(1)
SFW-OS-MED-T	MEDIA FOR DOMAIN/OS (SR10) OPERATING SYSTEM	\$165(N)
SFW-OS-MED-F		\$750(N)
SFW-OS-MED-H		\$750(N)
SFW-OS-MED-C		\$165(N)
DOC-OS-PRG	PROGRAMMER'S DOCUMENTATION SET FOR DOMAIN/OS	\$200(N)
DOC-OS	COMPLETE DOCUMENTATION SET FOR DOMAIN/OS (INCLUDES USER, SYSTEM ADMINISTRATOR, AND PROGRAMMER'S DOCUMENTATION FOR BSD, SYSTEM V AND AEGIS OPERATING ENVIRONMENTS)	\$425(N)
SFW-IX-T	MEDIA AND DOCUMENTATION FOR DOMAIN/IX (SR9.7):TWIN PORT OF UNIX SYSTEM V AND BERKELEY 4.2 OPERATING SYSTEMS (INCLUDES SFW-IX-MED, DOC-IX-STR, DOC-IX-ADV)	\$260(1)
SFW-IX-F		\$425(1)
SFW-IX-H		\$425(1)
SFW-IX-C		\$280(1)
SFW-IX-MED-T	MEDIA FOR DOMAIN/IX (INCLUDES BOTH SYSTEM V AND BSD 4.2 SOFTWARE)	\$125(N)
SFW-IX-MED-F		\$261(N)
SFW-IX-MED-H		\$261(N)
SFW-IX-MED-C		\$150(N)
DOC-IX-STR	STARTER DOCUMENTATION SET FOR DOMAIN/IX	\$110(N)
DOC-IX-ADV	ADVANCED DOCUMENTATION SET FOR DOMAIN/IX	\$170(N)
SFW-AEGIS-T	MEDIA AND DOCUMENTATION FOR AEGIS OPERATING SYSTEM (INCLUDES SFW-AEGIS-MED, DOC-AEGIS-STR, DOC-AEGIS-ADV)	\$240(1)
SFW-AEGIS-F		\$410(1)
SFW-AEGIS-H		\$410(1)
SFW-AEGIS-C		\$340(1)
SFW-AEGIS-MED-T	MEDIA FOR AEGIS OPERATING SYSTEM (SR9.7)	\$110(N)
SFW-AEGIS-MED-F		\$272(N)
SFW-AEGIS-MED-H		\$272(N)
SFW-AEGIS-MED-C		\$194(N)
DOC-AEGIS-STR	STARTER DOCUMENTATION SET FOR AEGIS	\$70(N)
DOC-AEGIS-ADV	ADVANCED DOCUMENTATION SET FOR AEGIS	\$170(N)
DOC-OST	OPEN SYSTEM TOOLKIT DOCUMENTATION Software Included on Aegis Media Set	\$60(N)

\* See User Documentation Price List for quantity discounts on orders of more than 9 sets of documentation.

\* Replacement Media Price List for quantity discounts on orders of more than 4 sets of media.

# DOMAIN SOFTWARE PROGRAMS

## NODE LICENSES ( -N suffix)

Apollo software is available on a per node basis. For single quantities, media and documentation is provided with every node license (With the exception of SFW-IFE-0). Use the "-N" suffix with a product model number to signify a complete software media, documentation and license package.

**Type of media must be specified: (T = mag tape, F = 8" floppy, H = 5-1/4" floppy and C = cartridge tape).**

### Notes:

Node licenses are discountable at Type 1 or Type 2 level.

Licenses are not transferable except under the provisions of the Apollo OEM/System Builder Agreement.

Licenses are sold on a per node basis. Each node, including diskless nodes, requires its own license.

## CORPORATE LICENSES

Corporate Licenses are available for volume purchase of some software products. These products are sold without any network or geographical restrictions. The total price for a product is simply the price per node (for the appropriate purchase range) multiplied by the actual number of nodes on which the software product will be used. The ranges and an example for Corporate Licenses purchases are provided below:

### Ranges:

Model Number	Quantity Range
LIC-xxx-1	2 - 9 node licenses
LIC-xxx-2	10 - 24 node licenses
LIC-xxx-3	25 - 49 node licenses
LIC-xxx-4	50 - 99 node licenses
LIC-xxx-5	100 - 249 node licenses
LIC-xxx-6	250 - 499 node licenses
LIC-xxx-7	500 + node licenses

### Example:

The purchase of a Corporate License for Alis without any media or documentation would be:

Quantity	Model Number	Price/Node License	Total
31	LIC-ALIS-3	\$1,100	\$34,100

### NOTES:

Corporate Licenses are non-discountable.

Only licenses purchased on a **single order** can be used to achieve a specific Corporate License range.

Licenses are not transferable except under the provisions of the Apollo OEM/System Builder Agreement.

No software media or documentation is provided with Corporate License purchases. Order the media and documentation separately or order appropriate number of "-N" bundled packages. (Remember to specify appropriate media type.)

Corporate Licenses must be purchased and billed to only one address.

Licenses are sold on a per node basis. Each node, including diskless nodes, requires its own license.

A central log is required to track the software location. Apollo reserves the right to audit this log and confirm the use of licensed software.

## DOMAIN SOFTWARE PROGRAMS Cont'd

### SR9 VS SR10 LAYERED SOFTWARE PRODUCTS

Most Apollo software is available for both the SR9-based operating system releases and the SR10-based releases. Customers running Aegis and Domain/IX must order SR9-based layered products. Customers running Domain/OS must order SR10-based layered products. SR9-based layered products will run on SR9.7 and SR9.7.1 (many also run on earlier SRs). SR10-based layered products will run on SR10 and future SR10.x releases.

Model numbers for software licenses (SFW-xxx), media and documentation (SFW-xxx-MD), BSU's (SFW-xxx-BSU), and media (SFW-xxx-MED) include a digit (9 or 10) indicating the software release family on which the product runs. If the model number includes ( ), either 9 or 10 can be specified because the product runs on both. If the model number includes 9 or 10, the product runs **only** on the specified software release.

The software release number does not need to be specified for corporate licenses, only for those model numbers that contain media.

#### Example:

SFW-CPLUS-N9-C

Runs only on SR9. (SR10 cannot be specified)

SFW-FTN-N( )-C

Versions available for SR9 or SR10. Specify 9 or 10 in place of ( ).

#### GENERAL NOTE:

Apollo customer applications programs used on an Apollo node or server can be installed on other Apollo nodes or servers without the Apollo customer being responsible for collection of a sublicense fee for the use of the Apollo runtime environment. The exception to this policy is the use of Apollo software products that offer an explicit runtime license fee as designated on the Apollo price list with an "R" suffix. In such case, the Apollo customer is responsible for collection of and remittance to Apollo a sublicense fee for every node and server on which the Apollo customer's application programs are installed

## SEPARATELY LICENSED SOFTWARE PROGRAMS

Model No.	Description	List
<b>Development Tools ☆</b>		
SFW-ADA-N( )	Domain/Ada™ License plus media and documentation	\$6,000(1)
SFW-ADA-E( )	Domain/Ada™ Educational Only, License plus media and documentation	\$1,000(N)
NOTE: Domain/Ada runs on Domain Series 3000, 3040, 3500, 4000, 4500 and DN5xxT		
SFW-C-N( )	Domain/C™	\$1,000(1)
SFW-CPLUS-N9	Domain/C++™ License plus media and documentation	\$1,600(2)
NOTE: Includes Domain/C++ Translator and Domain/C Compiler.		
SFW-CPLTR-N9	Domain/C++ Translator license plus media and documentation	\$1,050(2)
SFW-CLSP-N( )	Domain/CommonLISP™	\$3,500(1)
SFW-CLSP-R( )	RUNTIME LICENSE FOR NODE	\$650(N)
SFW-DIAL-N( )	Domain/DIALOGUE™ -Programmer's Toolkit	\$1,500(1)
SFW-DPAK-N( )	Domain Performance Analysis Kit (Domain/PAK™)	\$250(1)
SFW-DSEE-N( )	Domain Software Engineering Environment (DSEE™)	\$2,000(1)
SFW-FTN-N( )	FORTRAN 77	\$1,000(1)
SFW-PAS-N( )	PASCAL	\$1,000(1)
SFW-OPDA-N9	Node License for Apollo Hardware - Open Dialogue Developer's Kit (Available in T, H & C)	\$2,000(1)
SFW-OPDV-N-C	Node License for VaxStation (ULTRIX Operating System) Open Dialogue Developer's Kit (TK50 tape)	\$2,000(1)
SFW-OPDI-N-H	Node License for IBM RT PC (AIX Operating System) Open Dialogue Developer's Kit (5.25" Floppy)	\$2,000(1)
SFW-OPDS-N-C	Node License for Sun-3 type workstation Open Dialogue Developer's Kit (Cartridge Tape)	\$2,000(1)
SFW-OPRV-N-C	Open Dialogue Runtime Environment (TK50 tape)	\$500(1)
SFW-OPRI-N-H	Open Dialogue Runtime Environmen (5.25" Floppy)	\$500(1)
SFW-OPRS-N-C	Open Dialogue Runtime Environmen (Cartridge Tape)	\$500(1)
SRC-OPD-T	Open Dialogue Source Code (Mag tape only - (REQUIRES EXECUTION OF A SOURCE CODE LICENSE)	\$30,000(N)
SRC-OPD-1	License to duplicate source code on an additional machine (REQUIRES EXECUTION OF A SOURCE CODE LICENSE)	\$5,000(N)
SRC-OPD-U-T	University license for source code (Mag tape only - (REQUIRES EXECUTION OF A SOURCE CODE LICENSE)	\$250(N)
SRC-OPR-T	Open Dialogue Source Code (Mag tape only - (REQUIRES EXECUTION OF A SOURCE CODE LICENSE)	\$10,000(N)
SRC-OPR-1	License to duplicate source code on an additional machine (REQUIRES EXECUTION OF A SOURCE CODE LICENSE)	\$2,000(N)
<b>Data Management ☆</b>		
SFW-D3M-N( )	Domain Distributed Data Management (D3M™)	\$2,500(1)

( ) MUST SPECIFY SOFTWARE RELEASE NUMBER ( 9 = SR9.7 or SR9.7.1 or 10 = SR10 )

## SEPARATELY LICENSED SOFTWARE PROGRAMS

Model No.	Description	List
<b>Graphics ☆</b>		
SFW-CORE-N( )	Domain/CORE™ Graphics Software	\$1,000(1)
SFW-4014-N( )	Domain/4014 EMULATOR	\$750(1)
SFW-GKS-D-N( )	GKS Development License plus media and Documentation	\$2,000(2)
SFW-GKS-R-N( )	GKS runtime package plus media and Documentation	\$1,500(2)
SFW-GMR2-D-N( )	GMR2D Development license includes media and documentation	\$1,000(1)
SFW-GMR3-D-N( )	GMR3D Development license includes media and documentation	\$2,000(1)
SFW-GSR-D-N( )	GSR Development license plus media and documentation	\$750(1)
SFW-PHGS-D-N( )	Domain/PHIGS Development License plus media and documentation	\$3,000(1)
SFW-PGMR-D-N( )	Domain/PHIGS & GMR3D Development License plus media and documentation	\$4,000(1)

### Technical Office Software Applications ☆

SFW-ALIS-N9	Alis™ license plus media and documentation	\$2,200(2)
SFW-IFE-N9	Interleaf™ WPS™ .C (plus media and documentation)	\$1,250(2)
SFW-IFE-09	Interleaf™ WPS™ .C (Does not include media and documentation)	\$950(2)
SFW-MAIL-N( )	DPSS/MAIL™	\$200(1)

### Hardware Support Applications ☆

SFW-MSDOS-N	MS/DOS operating software and GWBASIC interpreter (Available on 5-1/4" floppy only)	\$130(N)
SFW-PMMP-N9 ■	PostScript® driver for HCD-MMP dot matrix printer (Node only)	\$400(N)
SFW-PVERS-N9 ■	PostScript driver for VERSATEC V.80 plotter (Node only)	\$775(N)
SFW-REMOTE-N9	Software which provides access to the PC Coprocessor board from any workstation on the network. Sold on a per coprocessor basis. (Available on 5-1/4" floppy and cartridge tape only)	\$900(1)
SFW-SPE-N( )	Software driver for A-ADD-SPE serial/parallel I/O expansion board. (Available on 5-1/4" floppy and cartridge tape only)	\$200(1)
SFW-4692-N9	Tektronix® driver - Software driver for Tektronix 4692 color printer. Printer requires Centronics parallel interface.	\$200(1)
SFW-VERS-N( )	VERSATEC V.80 plotter software driver support	\$200(1)

### Other ☆

SFW-GPIO-N( )	GENERAL PURPOSE I/O SOFTWARE (GPI/O) Used for interfacing devices to the IEEE-796 MULTIBUS standard or the IBM PC/AT Compatible Bus. Per site license, requires PNA, DSP80(A), DSP90, MULTIBUS, Series 3000 or Series 4000.	\$2,500(1)
---------------	--	------------

( ) MUST SPECIFY SOFTWARE RELEASE NUMBER ( 9 = SR9.7 or SR9.7.1 or 10 = SR10 )

☆ Type of media must be specified (T = mag tape, F = 8" floppy, H = 5-1/4" floppy and C = cartridge tape).

■ All PostScript Device Drivers are Node-Locked.

Note: Corporate licenses are available by volume purchase. See next page.

## Separately Licensed Software Programs, Cont'd

### Corporate Licenses ■

Model No.	Suffix	-1	-2	-3	-4	-5	-6	-7
List Price per License		2-9	10-24	25-49	50-99	100-249	250-499	500+
LIC-ADA		\$3,900(N)	\$3,600(N)	\$3,300(N)	\$3,000(N)	\$3,000(N)	\$3,000(N)	\$3,000(N)
LIC-ALIS		\$1,500(N)	\$1,200(N)	\$1,100(N)	\$1,000(N)	\$850(N)	\$700(N)	\$650(N)
LIC-C		\$700(N)	\$500(N)	\$350(N)	\$260(N)	\$170(N)	\$100(N)	\$100(N)
LIC-CORE		\$650(N)	\$600(N)	\$550(N)	\$500(N)	\$450(N)	\$400(N)	\$350(N)
LIC-CPLUS		\$1,000(N)	\$900(N)	\$800(N)	\$700(N)	\$625(N)	\$550(N)	\$550(N)
LIC-CPLTR		\$600(N)	\$475(N)	\$475(N)	\$475(N)	\$475(N)	\$475(N)	\$475(N)
LIC-DIAL		\$1,200(N)	\$1,050(N)	\$900(N)	\$750(N)	\$600(N)	\$450(N)	\$300(N)
LIC-D3M		\$1,375(N)	\$950(N)	\$700(N)	\$450(N)	N/A	N/A	N/A
LIC-DSEE		\$1,000(N)	\$800(N)	\$600(N)	\$400(N)	\$300(N)	\$200(N)	N/A
LIC-DPAK		\$125(N)	\$90(N)	\$60(N)	\$30(N)	\$10(N)	N/A	N/A
LIC-FTN		\$700(N)	\$500(N)	\$350(N)	\$260(N)	\$170(N)	\$100(N)	\$100(N)
LIC-GKS-D		\$1,300(N)	\$1,200(N)	\$1,100(N)	N/A	N/A	N/A	N/A
LIC-GKS-R		\$975(N)	\$900(N)	\$825(N)	N/A	N/A	N/A	N/A
LIC-GMR2-D*		\$600(N)	\$550(N)	\$500(N)	\$500(N)	\$500(N)	\$500(N)	\$500(N)
LIC-GMR3-D*		\$1,300(N)	\$1,200(N)	\$1,100(N)	\$1,000(N)	\$1,000(N)	\$1,000(N)	\$1,000(N)
LIC-GPIO		\$2,000(N)	\$1,300(N)	\$1,200(N)	\$1,100(N)	\$1,000(N)	\$900(N)	\$800(N)
LIC-GSR-D *		\$375(N)	\$300(N)	\$300(N)	\$300(N)	\$300(N)	\$300(N)	\$300(N)
LIC-IFE		\$850(N)	\$800(N)	\$750(N)	\$650(N)	\$600(N)	\$550(N)	\$500(N)
LIC-MAIL		\$100(N)	\$50(N)	\$25(N)	\$20(N)	\$15(N)	\$12(N)	\$10(N)
LIC-OPD◆		\$1,300(N)	\$1,200(N)	\$1,100(N)	\$900(N)	\$800(N)	\$800(N)	\$800(N)
LIC-OPR◆*		\$300(N)	\$250(N)	\$200(N)	\$150(N)	\$100(N)	\$80(N)	\$80(N)
LIC-PAS		\$700(N)	\$500(N)	\$350(N)	\$260(N)	\$170(N)	\$100(N)	\$100(N)
LIC-PHGS-D*		\$1,950(N)	\$1,800(N)	\$1,650(N)	\$1,500(N)	\$1,200(N)	\$1,200(N)	\$1,200(N)
LIC-PGMR-D*		\$2,600(N)	\$2,400(N)	\$2,200(N)	\$2,000(N)	\$1,800(N)	\$1,800(N)	\$1,800(N)
LIC-SPE		\$180(N)	\$150(N)	N/A	N/A	N/A	N/A	N/A
LIC-4692		\$180(N)	\$150(N)	N/A	N/A	N/A	N/A	N/A
LIC-VERS		\$180(N)	\$150(N)	N/A	N/A	N/A	N/A	N/A
LIC-4014		\$675(N)	\$562(N)	N/A	N/A	N/A	N/A	N/A

**Notes:**

- \* "-D" stands for Development.
  - \* LIC-OPRA is not a valid ordering code.
- Runtime License included with node.

◆ Target Hardware platform A = Apollo, V = Digital MicroVax version (Ultrix OS), I = IBM RT PC version(AIX), S = Sun-3 version

■ Contact your Sales Representative for information regarding the software pricing structure.

See User Documentation Price List for quantity discounts on orders of more than 9 sets of documentation.

Software Replacement Media Price List for quantity discounts on orders of more than 4 sets of media.



**Separately Licensed Software Programs, Cont'd**  
**Media and Documentation for Corporate Licenses ■ ☆**

Model No.	-T	-F	-H	-C
SFW-ADA-MD( )	\$165(N)	\$120(N)	\$120(N)	\$185(N)
SFW-ALIS-MD9	\$250(N)	N/A	N/A	\$270(N)
SFW-C-MD( )	\$150(N)	\$90(N)	\$90(N)	\$170(N)
SFW-CLSP-MD( )	\$150(N)	\$125(N)	\$125(N)	\$170(N)
SFW-CORE-MD( )	\$105(N)	\$45(N)	\$45(N)	\$125(N)
SFW-CPLUS-MD9	\$215(N)	\$135(N)	\$135(N)	\$235(N)
SFW-CPLTR-MD9	\$107(N)	\$60(N)	\$60(N)	\$127(N)
SFW-DIAL-MD( )	\$135(N)	\$75(N)	\$75(N)	\$155(N)
SFW-D3M-MD( )	\$170(N)	\$150(N)	\$150(N)	\$190(N)
SFW-DSEE-MD( )	\$185(N)	\$160(N)	\$160(N)	\$205(N)
SFW-DPAK-MD( )	N/A	\$75(N)	\$75(N)	N/A
SFW-FTN-MD( )	\$110(N)	\$50(N)	\$50(N)	\$130(N)
SFW-GKS-D-MD( )	\$160(N)	\$130(N)	\$130(N)	\$180(N)
SFW-GKS-R-MD( )	\$160(N)	\$130(N)	\$130(N)	\$180(N)
SFW-GMR2-D-MD( ) (Development Kit)	\$160(N)	\$130(N)	\$130(N)	\$180(N)
SFW-GMR2-R-MD( ) (Runtime Kit)	\$80(N)	\$50(N)	\$50(N)	\$100(N)
SFW-GMR3-D-MD( ) (Development Kit)	\$160(N)	\$130(N)	\$130(N)	\$180(N)
SFW-GMR3-R-MD( ) (Runtime Kit)	\$80(N)	\$50(N)	\$50(N)	\$100(N)
SFW-GPIO-MD( )	\$105(N)	\$45(N)	\$45(N)	\$125(N)
SFW-GSR-D-MD( ) (Development Kit)	\$160(N)	\$130(N)	\$130(N)	\$180(N)
SFW-IFE-MD9	\$335(N)	\$335(N)	\$335(N)	\$335(N)
SFW-MAIL-MD( )	\$95(N)	\$35(N)	\$35(N)	\$115(N)
SFW-OPDA-MD	\$200(N)	N/A	\$200(N)	\$200(N)
SFW-OPDV-MD (TK50 TAPE)	N/A	N/A	N/A	\$200(N)
SFW-OPDI-MD	N/A	N/A	\$200(N)	N/A
SFW-OPDS-MD	N/A	N/A	N/A	\$200(N)
SFW-OPRV-MD	N/A	N/A	N/A	\$200(N)
SFW-OPRI-MD	N/A	N/A	\$200(N)	N/A
SFW-OPRS-MD	N/A	N/A	N/A	\$200(N)
SFW-PAS-MD( )	\$110(N)	\$50(N)	\$50(N)	\$130(N)
SFW-PHGS-D-MD( ) (Development Kit)	\$160(N)	\$130(N)	\$130(N)	\$180(N)
SFW-PHGS-R-MD( ) (Runtime Kit)	\$80(N)	\$50(N)	\$50(N)	\$100(N)
SFW-PGMR-D-MD( ) (Development Kit)	\$280(N)	\$220(N)	\$220(N)	\$320(N)
SFW-PGMR-R-MD( ) (Runtime Kit)	\$80(N)	\$50(N)	\$50(N)	\$100(N)
SFW-SPE-MD( )	N/A	N/A	\$60(N)	\$160(N)
SFW-4692-MD9	\$85(N)	\$30(N)	\$30(N)	\$105(N)
SFW-VERS-MD( )	\$120(N)	\$65(N)	\$65(N)	\$140(N)
SFW-4014-MD( )	\$95(N)	\$35(N)	\$35(N)	\$115(N)

( ) MUST SPECIFY SOFTWARE RELEASE NUMBER ( 9 = SR9.7 or SR9.7.1 or 10 = SR10 )

☆ Type of media must be specified: T=Mag Tape, F=8" Floppy Diskette, H=5 1/4" Diskette, or C=Cartridge

■ Contact your Sales Representative for information regarding the software pricing structure.

See User Documentation Price List for quantity discounts on orders of more than 9 sets of documentation.

Software Replacement Media Price List for quantity discounts on orders of more than 4 sets of media.

Media and Documentation can only be sold if customer has a valid Apollo software license for the product. When sold with a license Media and Documentation includes 90 day warranty.

**DOCUMENTATION SOFTWARE PROGRAMS ■ ☆**

Model No.	Description	List
DPH-INTRO-N9	Domain/Delphi Introduction Kit (Available on T and C Only)	\$200(1)
DPH-5800-N9	Domain/IX Command Ref for BSD 4.2 (Delphi) (Available on T, H, and C Only)	\$90(1)
DPH-5801-N9	Domain/IX Programmer's Ref for BSD 4.2 (Delphi) (Available on T, H, and C Only)	\$95(1)
DPH-5798-N9	Domain/IX System V Command Ref (Delphi) (Available on T, H, and C Only)	\$90(1)
DPH-5799-N9	Domain/IX Programmer's Ref for System V (Delphi) (Available on T, H, and C Only)	\$90(1)
DPH-2547-N9	Domain System Command Reference (Delphi) (Available on T, H, and C Only)	\$98(1)
DPH-7196-N9	Domain System Call Reference (Delphi) (Available on T, H, and C Only)	\$95(1)
DPH-7194-N9	Domain GPR Call Reference (Delphi) (Available on T, H, and C Only)	\$95(1)
DPH-9793-N9	Domain GMR2D Call Reference (Available on T, H, and C Only)	\$90(1)

**Corporate Licenses ■**

Model No.	Suffix	-1	-2	-3	-4	-5	-6	-7
List Price per License		2-9	10-24	25-49	50-99	100-249	250-499	500+
LIC-DPH-INTRO		\$100(N)	\$85(N)	\$60(N)	\$50(N)	\$45(N)	\$40(N)	\$40(N)
LIC-DPH-5800		\$13(N)	\$10(N)	\$7(N)	\$6(N)	\$5(N)	\$4(N)	\$4(N)
LIC-DPH-5801		\$16(N)	\$12(N)	\$9(N)	\$8(N)	\$7(N)	\$6(N)	\$6(N)
LIC-DPH-5798		\$13(N)	\$10(N)	\$7(N)	\$6(N)	\$5(N)	\$4(N)	\$4(N)
LIC-DPH-5799		\$13(N)	\$10(N)	\$7(N)	\$6(N)	\$5(N)	\$4(N)	\$4(N)
LIC-DPH-2547		\$18(N)	\$14(N)	\$10(N)	\$8(N)	\$7(N)	\$6(N)	\$6(N)
LIC-DPH-7196		\$16(N)	\$12(N)	\$9(N)	\$8(N)	\$7(N)	\$6(N)	\$6(N)
LIC-DPH-7194		\$16(N)	\$12(N)	\$9(N)	\$8(N)	\$7(N)	\$6(N)	\$6(N)
LIC-DPH-9793		\$13(N)	\$10(N)	\$7(N)	\$6(N)	\$5(N)	\$4(N)	\$4(N)

**Media and Documentation for Corporate Licenses ■ ☆**

Model No.	-T	-F	-H	-C
DPH-INTRO-MD9	\$70(N)	N/A	\$70(N)	\$70(N)
DPH-5800-MD9	\$70(N)	N/A	\$70(N)	\$70(N)
DPH-5801-MD9	\$70(N)	N/A	\$70(N)	\$70(N)
DPH-5798-MD9	\$70(N)	N/A	\$70(N)	\$70(N)
DPH-5799-MD9	\$70(N)	N/A	\$70(N)	\$70(N)
DPH-2547-MD9	\$70(N)	N/A	\$70(N)	\$70(N)
DPH-7196-MD9	\$70(N)	N/A	\$70(N)	\$70(N)
DPH-7194-MD9	\$70(N)	N/A	\$70(N)	\$70(N)
DPH-9793-MD9	\$70(N)	N/A	\$70(N)	\$70(N)

**Documentation (Hardcopy)**

Model No.	Description	List
DOC-11270	Retrieving Documentation with Domain/Delphi	\$15(N)

☆ Type of media must be specified: T=Mag Tape, F=8" Floppy Diskette, H=5 1/4" Diskette, or C=Cartridge

■ Contact your Sales Representative for information regarding the software pricing structure.

See User Documentation Price List for quantity discounts on orders of more than 9 sets of documentation.

# DOMAIN NETWORKING AND COMMUNICATIONS

Apollo offers a large variety of networking and communication products in addition to a choice of an integrated local area network that is included with every workstation or server. These products help provide users with an integrated computing network by allowing Apollo workstations to fit smoothly within a heterogeneous computing environment. In addition, bridges and extenders are offered to help expand an Apollo network.

Networking and Communications products that contain software must have the appropriate media type as a suffix to the model number. (Type of media must be specified: T=Mag Tape, F=8" Floppy Diskette, H=5 1/4" Diskette, or C=Cartridge)

Model No.	Description	Prerequisites	List	MMC	FIC
-----------	-------------	---------------	------	-----	-----

## HARDWARE - MULTIBUS-Compatible

COM-ECMB	ETHERCONTROLLER-MB ETHERNET Communications Includes: Hardware Controller, Transceiver cable. For use with SFW-TCP/IP and SFW-ACC FIC applies to Hardware (Specify Media Type) <b>Note: Does not include Transceiver</b> When transceiver is ordered MMC will support the transceiver, however COM-ECMB MMC can not be booked without appropriate software	PNA, MBUS, DSP80(A) or, DSP90 and ETH-XCVR	\$3,300(2)	\$31	\$250
COM-CTRL	Domain/ComController™ Intelligent communications controller that mounts in a shared DN550/560/570(A)/580, DSP80(A) or DSP90, 19" distribution panel, supporting 2 RS232 connections for secure cabling, RS232-C Cabling provided by customer, for use with DOMAIN/SNA	DSP80(A), DSP90, DN5XX with Multibus	\$5,950(1)	\$65	\$325

## HARDWARE - IBM PC/AT Compatible Bus

A-ADD-CBL-SPE	Centronics parallel adaptor cable for use with serial/parallel expansion board.	A-ADD-SPE	\$99(2)	N/A	N/A
A-ADD-SPE	SERIAL/PARALLEL EXPANSION BOARD for Domain Series 3000 and 4000. Adds (2) serial and (1) Centronics parallel port. Includes: Controller board, 9 to 25 pin serial RS232-C adaptor cable, installation and user documentation	DN3000, DSP3000, DN3010, DSP3010, DN4000 or DSP4000	\$450(2)	\$7	\$180
A-NET-ATR	APOLLO TOKEN RING NETWORK CONTROLLER-AT Add-on Apollo Token Ring Network controller for Domain Series 3000 and 4000. Includes network controller board and installation documentation. Note: If node is running pre-SR9.6 operating system, also order SFW-SBRC.	DN3000, DSP3000, DN3010, DSP3010, DN4000 or DSP4000	\$1,350(2)	\$25	\$235
SFW-SBRC9-C SFW-SBRC9-H	Diagnostics for Apollo Token Ring Network Controller-AT Installed on a pre-SR9.6 node.	A-NET-ATR	\$50(N)		
A-NET-ETH	802.3 NETWORK CONTROLLER-AT: Add-on ETHERNET/IEEE 802.3 network controller for Domain Series 3000 and 4000. Includes network controller board and installation documentation. Supports concurrent Domain routing, SFW-TCP/IP and SFW-ACC. (Be sure MD-Boot PROM on CPU board in node is proper rev level.) To be used for ETHERNET communications/networking on nodes running SOFTWARE RELEASES SR9.6 OR LATER	DN3000, DSP3000, DN3010, DSP3010, DN4000 or DSP4000	\$1,350(2)	\$25	\$235
SFW-SPE-N( )-H SFW-SPE-N( )-C	Software driver for SPE board (Available on H = 5-1/4" floppy and C = cartridge tape)	A-ADD-SPE	\$200(1)	*	*

## HARDWARE - VMEbus

V-NET-ETH	802.3 NETWORK CONTROLLER-VME: Add-on 802.3 network controller for DN5xxT workstations and servers. Includes network controller board and installation documentation.	VME and DN570T DN580T, DN590T or DSP500T	\$4,000(2)	\$25	\$340
-----------	---	--	------------	------	-------

( ) MUST SPECIFY SOFTWARE RELEASE NUMBER ( 9 = SR9.7 or SR9.7.1 or 10 = SR10 )

\* Call your Customer Service Representative.

# DOMAIN NETWORKING AND COMMUNICATIONS Cont'd

## HARDWARE - Other

Model No.	Description	Prerequisites	List	MMC	FIC
COM-DFL	DOMAIN/DFL™-100 Fiber Optics link Links Apollo token rings together using fiber optics (2 required for complete link)	N/A	\$1,200(2)	\$13	\$180
COM-DFL-R	DOMAIN/DFL-100-R Redundant Fiber optics Link Links Apollo token rings together using fiber optics, Used as part of a redundant DOMAIN/DFL-100 link, also contains a connector cable to connect to a primary DOMAIN/DFL link (COM-DFL). (2 required for complete redundant link)	COM-DFL	\$1,250(2)	\$13	\$180

## SOFTWARE ☆

Model No.	Description	Prerequisites	List	-N
SFW-ACC-N( )	DOMAIN/ACCESS™ Gateway provides transparent file access to a VAX/VMS or MVAX/MicroVMS System	COM-ECMB or and SFW-TCP/IP	\$1,500(1)**	
SFW-LU62-N( )	Domain/LU6.2™		\$6,000(1)	
SFW-NFS-N( )	NETWORK FILE SYSTEM (NFS™) Allows transparent file access among a wide variety of systems from different vendors	Domain/IX SR9.5 and TCP/IP Rev.3.0	\$600(1)	
SFW-RJE-N9	RJE-Access Gateway (Node only)		\$1,800(N)**	
SFW-TCP/IP-N9	TCP/IP-Access Protocol Provides TCP/IP communications services. Contains Telnet for remote log-in and FTP for file transfer	COM-ECMB	\$750(1)**	
SFW-3270-N( )	DOMAIN/SNA 3270 Emulation Emulates IBM 3274 Mod 1C control unit, 3278 Mod 2 display stations and 3287 Mod 2 printers, provides interactive access to IBM and IBM-compatible hosts	COM-CTRL	\$1,800(1)**	
SFW-3770-N( )	DOMAIN/SNA 3770 Emulation Emulates IBM 3776 Mod 3 RJE station, provides SNA/RJE access to IBM and IBM-compatible hosts	COM-CTRL	\$1,800(1)**	

## Corporate Licenses ■

Model No.	Suffix Per Seat	-1 2-9	-2 10-24	-3 25-49	-4 50-99	-5 100-249	-6 250-499	-7 500+
LIC-ACC		\$1,000(N)	\$950(N)	\$900(N)	\$800(N)	\$700(N)	N/A	N/A
LIC-LU62		\$4,500(N)	\$3,900(N)	\$3,600(N)	\$3,300(N)	\$3,300(N)	\$3,300(N)	\$3,300(N)
LIC-NFS		\$390(N)	\$180(N)	\$120(N)	\$90(N)	\$60(N)	N/A	N/A
LIC-RJE		\$1,500(N)	\$1,400(N)	N/A	N/A	N/A	N/A	N/A
LIC-TCP/IP		\$425(N)	\$390(N)	\$325(N)	\$260(N)	\$250(N)	\$240(N)	\$230(N)
LIC-3270		\$1,450(N)	\$1,300(N)	\$1,110(N)	N/A	N/A	N/A	N/A
LIC-3770		\$1,450(N)	\$1,300(N)	\$1,110(N)	N/A	N/A	N/A	N/A

## Media and Documentation for Corporate Licenses ■ ☆

Model No.	-T	-F	-H	-C
SFW-ACC-MD( )	\$145(N)	\$115(N)	\$115(N)	\$145(N)
SFW-LU62-MD( )	\$1,000(N)	\$1,000(N)	\$1,000(N)	\$1,000(N)
SFW-NFS-MD( )	\$180(N)	\$150(N)	\$150(N)	\$205(N)
SFW-RJE-MD9	\$95(N)	\$35(N)	\$35(N)	\$115(N)
SFW-TCP/IP-MD9	\$135(N)	\$75(N)	\$75(N)	\$135(N)
SFW-3270-MD( )	\$160(N)	\$130(N)	\$130(N)	\$180(N)
SFW-3770-MD( )	\$160(N)	\$130(N)	\$130(N)	\$180(N)

( ) MUST SPECIFY SOFTWARE RELEASE NUMBER ( SR9.7.1 = 9 OR SR10 = 10 )

■ Contact your Sales Representative for information regarding the software pricing structure.

☆ Type of media must be specified (T-mag tape, F = 8" floppy, H = 5-1/4" floppy and C = cartridge tape).

\*\* Where node is a communications router or gateway that serves a community of Domain users on that network.

# DOMAIN NETWORKING AND COMMUNICATIONS Cont'd

## NETWORK COMPUTING SYSTEMS (NCS) ☆

Model No.	Description	Prerequisites	List -N
SFW-NIDL-N( )	NETWORK INTERFACE DEFINITION LANGUAGE (NIDL) COMPILER - Accepts high level interface specification written in NIDL language and generates RPC stubs required to distribute an application over a network of computers	SR 9.5.1	\$850(1)
SRC-NCK-T	NETWORKING COMPUTING SYSTEM KERNEL SOURCE CODE FOR UNIX & System V Berkeley 4.2, VAXVMS and MS/DOS Provides C source code for the NCS Runtime and location broker. (Mag Tape only, <b>REQUIRES SPECIAL SOURCE CODE LICENSE.</b> )	SR 9.5.1	\$1,000(N)
SRC-NCK-U-T	UNIVERSITY SOURCE CODE LICENSE FOR NETWORK COMPUTING SYSTEM KERNEL (Mag Tape only, <b>REQUIRES SPECIAL SOURCE CODE LICENSE.</b> )	SR 9.5.1	\$50(N)
SRC-NIDL-T	NETWORK INTERFACE DEFINITION LANGUAGE (NIDL) COMPILER SOURCE CODE (Mag Tape Only, <b>REQUIRES SPECIAL SOURCE CODE LICENSE.</b> )	SR 9.5.1	\$25,000(N)
SRC-NIDL-U-T	UNIVERSITY SOURCE CODE LICENSE FOR NETWORK INTERFACE DEFINITION LANGUAGE (NIDL) COMPILER (Mag Tape Only, <b>REQUIRES SPECIAL SOURCE CODE LICENSE.</b> )	SR 9.5.1	\$50(N)
SFW-NCK( )-C	Networking Computing System Reference Documentation and Media available on "C" Cartridge Tape Only	Pre SR9.7 Post SR9.5	\$250(N)
DOC-NCA	Network Computing Architecture: Protocol Spec.		\$80(N)
DOC-NCS	Network Computing System Reference(NCS™)		\$250(N)

### Corporate Licenses ■

Model No.	Suffix Per Seat	-1	-2	-3	-4	-5	-6	-7
		2-9	10-24	25-49	50-99	100-249	250-499	500+
LIC-NIDL		\$590(N)	\$525(N)	\$360(N)	\$300(N)	N/A	N/A	N/A

### Media and Documentation for Corporate Licenses ■ ☆

Model No.	-T	-F	-H	-C
SFW-NIDL-MD( )	\$500(N)	\$500(N)	\$500(N)	\$500(N)

( ) MUST SPECIFY SOFTWARE RELEASE NUMBER ( 9 = SR9.7 or SR9.7.1 or 10 = SR10 )

■ Contact your Sales Representative for information regarding the software pricing structure.

☆ Type of media must be specified (T-mag tape, F = 8" floppy, H = 5-1/4" floppy and C = cartridge tape).

# DOMAIN NETWORKING AND COMMUNICATIONS Cont'd

## NETWORK LICENSE SERVER (NLS) ☆

Model No.	Description	List
SFW-NLS-MED-A( )-C	Cartridge tape media for NLS on Apollo	\$90(N)
DOC-NLS-A	Documentation for NLS	\$175(N)
LIC-LSHOOK-A	One-year lease of a 50-hook License Rack	\$1,000(1)
LIC-LSHOOK-P	Purchase of a 50-hook License Rack	\$4,000(1)
LIC-LSHOOK-U	Purchase of a 50-hook License Rack Educational Institutions	\$1,000(N)
SFW-LSLOCK( )-C	Cartridge tape containing software vendor's lock	\$5,000(N)
SRC-NLS-C-T	Magnetic tape containing NLS source for Commercial Firms (REQUIRES SPECIAL SOURCE ROYALTY AGREEMENT)	Call Product Marketing
SRC-NLS-U-T	Magnetic tape containing NLS source for Educational Institutions	Call Product Marketing

## HARDWARE/SOFTWARE Packages ☆

Model No.	Description	Prerequisites	List	MMC	FIC
COM-X25( )	DOMAIN X.25 GATEWAY Synchronous Hardware controller, mounts in DSP80(A), DSP90, PNA or MBUS, Includes dual synchronous lines, full X.25 software protocol with extensions, 2 modem cables	PNA, MBUS, DSP80(A), DSP90	\$6,950(N)	\$138	\$595
COM-BRG-A	DOMAIN/BRIDGE™-A(T1) Internetwork Router Intelligent communications controller that provides a 1.544 Mbps connection between Apollo networks over T1 facilities. (One COM-BRG-A required in each network). Mounts in a dedicated DSP80A or DSP90. Provides a single RS-449 interface to T1 channel access equipment. Router to channel access unit cable included (25')	DSP80A or DSP90	\$8,400(1)	\$150	\$535
COM-BRG-B	DOMAIN/BRIDGE-B(Coax) Internetwork Router Intelligent communications controller that provides a 2.0 Mbps connection between Apollo networks over coax cable (One COM-BRG-B required in each network). Mounts in a dedicated DSP80A or DSP90	DSP80A or DSP90	\$8,900(1)	\$180	\$535

☆ Type of media must be specified (T-mag tape, F = 8" floppy, H = 5-1/4" floppy and C = cartridge tape).

( ) MUST SPECIFY SOFTWARE RELEASE NUMBER ( 9 = SR9.7 or SR9.7.1 or 10 = SR10 )

☆ Type of media must be specified (T-mag tape, F = 8" floppy, H = 5-1/4" floppy and C = cartridge tape).

## HARDCOPY DEVICES

Model No.	Description	Prerequisites	List	MMC	FIC
HCD-LP800-† ( )-C	2108 Printer with country-specific power cord, Serial Cable, Software on cartridge (Includes Rel. Notes)		\$6,595 (2)	\$85	\$250
HCD-LP800-† ( )-H	2108 Printer with country-specific power cord, Serial Cable, Software on 5-1/4" Floppy (Includes Release Notes)		\$6,595 (2)	\$85	\$250
HCD-MMP	Multi-Mode dot matrix printer. Prints in near letter quality, draft, graphics (Plot) modes. Uses one asynchronous RS232-C port	Any workstation or server with RS232C port	\$3,800 (N)	\$40	\$195
HCD-LP26S☆	Domain/LASER-26™ Serial version High quality laser printer, 26 pages per minute maximum print speed. PostScript™ interpreter integrated into printer's controller. 300 dpi resolution, paper sizes 8.5x11, A4, 11x17 (B), A3, Portrait and landscape orientations Uses one RS232-C port	Any workstation or server with RS232C port	\$25,000 (2)	\$295+	\$235
HCD-LP26C☆	Domain/LASER-26 CENTRONICS Parallel version-Printer is the same as HCD-LP26S, except that this version includes a Centronics parallel interface for use with MULTIBUS-based systems, included for the parallel interface are the Multibus controller board with software driver, and a Centronics parallel cable for mounting into the Multibus cage. Uses one MultiBus slot.	MULTIBUS DSP80(A) DSP90 or PNA	\$27,000 (2)	\$295+	\$235
KIT-LP26C-UG	Domain/LASER-26 Upgrade Kit for upgrading the HCD-LP26S serial interface version to a Multibus-based Centronics parallel interface. Kit includes a Centronics parallel cable, and a MultiBus controller board with the software driver. Uses one MultiBus slot.	HCD-LP26S and MULTIBUS	\$4,000 (1)	N/A	N/A
HCD-LP26-SPE9	Domain/LASER-26 Centronics Parallel interface for PC/AT bus. Includes the HCD-LP26S laser printer as above, plus a Centronics parallel interface for PC/AT bus-based systems (e.g. DN3000 and DN4000 nodes) In addition to the configuration described for HCD-LP26S, this model includes the SPE board, Centronics parallel cable, and the SPE software. Uses one PC/AT bus slot for the SPE card. (Available on cartridge tape and 5-1/4" floppy only)	DN3000, DN3010, DSP3000, DN4000 or DSP4000	\$25,400 (2)	\$307	\$310
KIT-4692-AT9-H KIT-4692-AT9-C	TEKTRONIX® 4692 Driver and Centronics parallel interface for Domain Series 3000 and 4000. Includes: Serial/parallel expansion board, SPE software, parallel cable, and Tektronix 4692 driver. (Available on H = 5-1/4" floppy and C = cartridge tape only)	DN3000, DN3010, DSP3000, DN4000 or DSP4000	\$925 (2)	\$18	\$190
KIT-4692-MB9-F KIT-4692-MB9-H for KIT-4692-MB9-C	TEKTRONIX 4692 Driver and Centronics parallel MULTIBUS based systems. Includes: Controller board, parallel cable, Tektronix 4692 driver, uses 1 MULTIBUS slot. (Available on F = 8" and H = 5-1/4" floppy, C = cartridge tape, only)	MULTIBUS	\$4,000 (2)	\$18	\$180

† You must specify the COUNTRY suffix which corresponds to the system's final country destination:

NA=North America, GY=Germany, UK=United Kingdom, FR = France, NL = Netherlands, IT = Italy, CH = Switzerland, SW = Sweden/Finland, AUS = Australia, DK = Denmark, NW = Norway, ISR = Israel

( ) MUST SPECIFY SOFTWARE RELEASE NUMBER ( 9 = SR9.7 or SR9.7.1 or 10 = SR10 )

## HARDWARE SUPPORT APPLICATIONS ☆

Model No.	Description	List	-N
SFW-PMMP-N9 ■	PostScript® driver for HCD-MMP dot matrix printer(Node only)	\$400(N)	
SFW-PVERS-N9 ■	PostScript driver for VERSATEC V.80 plotter(Node only)	\$775(N)	
SFW-4692-N9	Tektronix® driver - Software driver for Tektronix 4692 color printer. Printer requires Centronics parallel interface.	\$200(1)	
SFW-VERS-N( )	VERSATEC V.80 plotter software driver support. Will support all monochrome electro-static versatec plotters that "A" to "E" size.	\$200(1)	

( ) MUST SPECIFY SOFTWARE RELEASE NUMBER ( 9 = SR9.7 or SR9.7.1 or 10 = SR10 )

☆ Type of media must be specified (T-mag tape, F = 8" floppy, H = 5-1/4" floppy and C = cartridge tape).

+ MMC covers up to 20,000 pages per month. (When the usage is over 20,000 pages per month, charge \$.03 per page.)

■ All PostScript Device Drivers are Node Locked.



## SOFTWARE PROGRAMS MONTHLY MAINTENANCE CHARGES

### Basic Software Maintenance (-BSM)

### Right To Execute Maintenance (-RTE)

Basic Software Maintenance (-BSM) and Right To Execute Maintenance (-RTE) are available on a previously licensed Software Program, per Node/DSP basis.

Each Software Program covered by BSM receives: Software Program Updates with Media and Documentation, the Right To Execute Software Program Updates on one designated Node/DSP, and one designated contact for telephone support.

Each Software Program covered by RTE receives: The Right To Execute Software program updates on one designated Node/DSP. RTE Software Program Updates must be acquired through an associated BSM Node/DSP.

To be eligible for BSM/RTE Software program maintenance the Node/DSP must be operating under a current Apollo Service Agreement.

### Site Software Program Maintenance

Site Software Program Maintenance (-SM1, -SM2, -SM3, -SM4 or -SM5) is available for Software Programs previously licensed (Node or Site), and covered under a Site Discount Addendum or Educational Discount Addendum.

Each Software program covered by Site Software Program Maintenance receives: One Software Program Update(media and documentation) per site, and one designated contact for telephone support.

For Site Software Program Maintenance, a "SITE" is a group of Nodes or DSPs located within a one half (1/2) mile radius, and interconnected on a single network.

To be eligible for Site Software Program Maintenance all Nodes/DSPs must be operating under a current Apollo Service Agreement with a Site Discount Addendum.

For sites over 100 Nodes, order one (1) -SM4 option, plus one (1) -SM5 option for each additional 25 nodes. Option -SM4 is a prerequisite to one or more -SM5 options for a given product at a given site.

When ordering -BSM, -SM1, -SM2, -SM3 or -SM4 Software Maintenance options, a distribution media must be selected by adding one of the following media designations as a suffix to the appropriate Model

-T Magnetic Tape      -C Cartridge Tape      -H 5 1/4" Floppy      -F 8" Floppy

## SOFTWARE PROGRAM MONTHLY MAINTENANCE CHARGES

### SOFTWARE PRODUCTS

MODEL NUMBER	-BSM	-RTE	Up to					Over 100 each add'l 25 Nodes
			Nodes	Nodes	Nodes	Nodes	Nodes	
			-SM1	-SM2	-SM3	-SM4	-SM5	
<b>OPERATING SYSTEMS</b>								
SFW-IX	\$90	\$10	\$160	\$200	\$300	\$440	\$70	
SFW-IXC	\$125	\$13	\$216	\$268	\$398	\$580	\$91	
<b>DEVELOPMENT TOOLS</b>								
SFW-ADA	\$150	\$21	\$295	\$515	\$990	\$1,975	\$155	
SFW-C	\$50	\$7	\$99	\$127	\$197	\$295	\$49	
SFW-CLSP	\$80	\$15	\$160	\$220	\$300	\$460	\$105	
SFW-CLSP-R	\$30	\$5	\$45	\$48	\$55	\$65	\$35	
SFW-CPLUS**	\$60	\$7	\$109	\$137	\$207	\$305	\$49	
SFW-DPAK	\$12	\$2	\$26	\$34	\$54	\$82	\$14	
SFW-DSEE	\$60	\$8	\$116	\$148	\$228	\$340	\$56	
SFW-FTN	\$50	\$7	\$99	\$127	\$197	\$295	\$49	
SFW-PAS	\$50	\$7	\$99	\$127	\$197	\$295	\$49	
SFW-NIDL-A	\$95	\$10	\$165	\$255	\$385	\$615	\$70	

\*\* Customers upgrading to CPLUS via the addition of CPLUSTR should also upgrade the maintenance to CPLUS via this model number.

**SOFTWARE PROGRAM MONTHLY MAINTENANCE CHARGES, Cont'd**

**SOFTWARE PRODUCTS**

MODEL NUMBER	-BSM	-RTE	-SM1	-SM2	-SM3	-SM4	-SM5	Up to 10	Up to 25	Up to 50	Up to 100	Over 100
								Nodes	Nodes	Nodes	Nodes	25 Nodes
<b>DATA MANAGEMENT</b>												
SFW-D3M	\$100	\$13	\$191	\$243	\$373	\$555	\$91					
<b>GRAPHICS</b>												
SFW-CORE	\$40	\$5	\$75	\$95	\$145	\$215	\$35					
SFW-DIAL	\$60	\$8	\$116	\$148	\$228	\$340	\$56					
SFW-GKS-D	\$60	\$10	\$130	\$155	\$200	\$245	\$70					
SFW-GKS-R	\$30	\$5	\$45	\$48	\$55	\$65	\$35					
SFW-GSR-D	\$158	\$37	\$378	\$451	\$510	\$575	\$135					
SFW-GMR2-D	\$60	\$10	\$130	\$155	\$200	\$245	\$70					
SFW-GMR2-R	\$30	\$5	\$45	\$48	\$55	\$65	\$35					
SFW-GMR3-D	\$120	\$15	\$250	\$300	\$395	\$475	\$105					
SFW-GMR3-R	\$35	\$5	\$50	\$58	\$68	\$78	\$35					
SFW-PHGS-D	\$120	\$15	\$250	\$300	\$395	\$475	\$105					
SFW-PHGS-R	\$35	\$5	\$50	\$58	\$68	\$78	\$35					
SFW-PGMR-D	\$150	\$15	\$310	\$375	\$495	\$595	\$105					
SFW-PGMR-R	\$45	\$5	\$65	\$75	\$85	\$95	\$35					
SFW-4014	\$30	\$4	\$58	\$74	\$114	\$170	\$28					

**TECHNICAL OFFICE SOFTWARE PROGRAM APPLICATIONS**

SFW-ALIS	\$200	\$16	\$311	\$370	\$488	\$724	\$112
SFW-IFE	\$60	\$8	\$116	\$148	\$228	\$340	\$56
SFW-MAIL	\$10	\$2	\$24	\$32	\$52	\$80	\$14

**HARDWARE SUPPORT APPLICATIONS**

SFW-MSDOS	N/A	N/A	N/A	N/A	N/A	N/A	N/A
SFW-PVERS	\$42	\$5	\$77	\$97	\$147	\$217	\$35
SFW-PMMP	\$20	\$3	\$41	\$53	\$83	\$125	\$21
SFW-REMOTE	\$50	\$8	\$130	\$185	\$237	\$290	\$56
SFW-SPE	\$5	\$2	\$19	\$27	\$47	\$75	\$14
SFW-4692	\$6	\$2	\$20	\$28	\$48	\$76	\$14
SFW-VERS	\$10	\$2	\$24	\$32	\$52	\$80	\$14

**COMMUNICATIONS**

SFW-ACC	\$89	\$8	\$145	\$177	\$257	\$369	\$56
SFW-DPCE	\$50	\$8	\$130	\$185	\$237	\$290	\$56
SFW-LU62	\$325	\$15	\$420	\$485	\$565	\$640	\$105
SFW-NFS	\$50	\$3	\$71	\$83	\$113	\$155	\$21
SFW-PCI1	\$50	\$3	\$71	\$83	\$113	\$155	\$21
SFW-PCI-RG	\$50	\$8	\$130	\$185	\$237	\$290	\$56
SFW-RJE	\$72	\$9	\$135	\$171	\$261	\$387	\$63
SFW-TCP/IP	\$80	\$5	\$115	\$135	\$185	\$255	\$35
SFW-3270	\$120	\$5	\$155	\$175	\$225	\$295	\$35
SFW-3770	\$120	\$5	\$155	\$175	\$225	\$295	\$35

**OTHER**

SFW-GPIO	\$80	\$10	\$150	\$190	\$290	\$430	\$70
SFW-OST	\$80	N/A	N/A	N/A	N/A	N/A	N/A

## DOMAIN APOLLO DOCUMENTATION SUBSCRIPTION SERVICE (ADS)

### DOMAIN DELPHI

Customers who want updates of Domain/Delphi manuals may purchase an ADS. The subscription service is on a book-by-book basis.

Model No.	UP TO	WORKSTATIONS				MMC			
		-1	-5	-10	-25	-50	-100	-200	-500
DPH-5800-ADS-☆		\$12(N)	\$14(N)	\$16(N)	\$23(N)	\$30(N)	\$50(N)	\$65(N)	\$115(N)
DPH-5801-ADS-☆		\$12(N)	\$14(N)	\$16(N)	\$23(N)	\$30(N)	\$50(N)	\$65(N)	\$115(N)
DPH-5798-ADS-☆		\$12(N)	\$14(N)	\$16(N)	\$23(N)	\$30(N)	\$50(N)	\$65(N)	\$115(N)
DPH-5799-ADS-☆		\$12(N)	\$14(N)	\$16(N)	\$23(N)	\$30(N)	\$50(N)	\$65(N)	\$115(N)
DPH-2547-ADS-☆		\$12(N)	\$14(N)	\$16(N)	\$23(N)	\$30(N)	\$50(N)	\$65(N)	\$115(N)
DPH-7196-ADS-☆		\$12(N)	\$14(N)	\$16(N)	\$23(N)	\$30(N)	\$50(N)	\$65(N)	\$115(N)
DPH-7194-ADS-☆		\$12(N)	\$14(N)	\$16(N)	\$23(N)	\$30(N)	\$50(N)	\$65(N)	\$115(N)
DPH-9793-ADS-☆		\$12(N)	\$14(N)	\$16(N)	\$23(N)	\$30(N)	\$50(N)	\$65(N)	\$115(N)

☆ Type of media must be specified (T = mag tape, H = 5-1/4" floppy and C = cartridge tape).

### SOFTWARE PROGRAM SUBSCRIPTION SERVICE

FOR INFORMATION REGARDING DOMAIN/OS MAINTENANCE, CONTACT CUSTOMER SERVICE BUSINESS  
MANAGEMENT AT EXTENSION 7275.

Software Program Subscription Service (SSS) offers customers the opportunity to obtain and license the operating system media and documentation updates through a monthly maintenance charge as follows:

The Node/DSP designated to run the update must be under a current Apollo Maintenance Agreement, and be previously licensed with respect to the software program.

Those sites which have Category A software programs only, are required to obtain at least one (1) SSS per site. The media and documentation updates can be then transferred to those Nodes covered by an Apollo Maintenance Agreement at that site.

Those sites which have both Category A and Category B software programs are not required to obtain an SSS.

The media and documentation update distributed to an Apollo-maintained Category B product may be transferred to those Category A software programs which are also covered by Apollo Maintenance Agreement.

### SOFTWARE PROGRAM SUBSCRIPTION

Model No.	Description	Prerequisites	MMC
SFW-AEGIS-SSS-F	Software Subscription Service for Aegis.	Apollo Service Agreement	\$47
SFW-AEGIS-SSS-C	Provides updates for Aegis media and	for the Node/DSP designated	\$19
SFW-AEGIS-SSS-T	documentation for Nodes and Server	to run the operating	\$16
SFW-AEGIS-SSS-H	Processors covered under an Apollo	system	\$47
	Maintenance Contract		

# APOLLO FIELD OFFICES

(Sales/Service)

State/City	Phone	Street Address	Zip Code
<b>NORTHEAST DISTRICT</b>			
Chelmsford, MA	(508)256-6600 Ext. 7081	228 Billerica Road, CHG 00 SL	01824
Framingham, MA	(508) 872-4802	1661 Worcester Rd., Suite 100	01701
Hamden, CT	(203)287-0155	2969 Whitney Avenue	06518
King of Prussia, PA	(215)768-9730	610 Freedom Business Center Suite 214	19406
Pittsburgh, PA	(412)471-3905	Station Square Gatehouse, Suite 400	15219
Rochester, NY	(716)385-6871	10 Tobey Village Office Park	14534
Roseland, NJ	(201)535-0900	75 Livingston Avenue	07068
Syosset, NY	(516)496-4800	6800 Jericho Turnpike, Suite 114 West	11791
Albany, N.Y.	(518)458-7121	125 Wolf Road	12205
New York, N.Y.	(212)938-8939	1 World Trade Center, Suite 2265	10048
<b>SOUTHEAST DISTRICT</b>			
Atlanta, GA	(404)393-4720	990 Hammond Dr. N.E. Suite 250	30328
Austin, TX	(512)328-0230	Barton Oaks Plaza, Suite 195, 901 Mopac Exp. S.	78746
Dallas, TX (Irving, Tx)	(214)869-1491	5215 N. O'Connor Rd. Suite 750	75039
Houston, TX	(713)871-1991	12 Greenway Plaza, Suite 1202	77046
Orlando, FL (Maitland)	(305)875-1500	2600 Lake Lucien Dr., Suite 144	32801
Ft. Lauderdale, Fl (Pompano Beach)	(305)946-8011	1000 West McNab, Suite 158	33069
Raleigh, NC (Durham)	(919)544-1715	2327 Englert Drive	27713
Tulsa, OK	(918)254-9676	Two Memorial Place, Suite 520 8023 East 63rd Place	74133
Vienna, VA (Washington)	(703)556-9810	8320 Old Court House Rd., Suite 300	22180
Huntsville, AL	(205)837-8177	P.O. Box 14339	35815
Baltimore, MD	(301)859-0825	7484 A Candlewood Road	21077
Newport News, Va.	(804)-877-7155	Box 22229	23602
<b>NORTHCENTRAL DISTRICT</b>			
Cincinnati, OH (Milford)	(513)831-0590	200 Techne Center Dr., Suite 201	45150
Minneapolis, MN	(612)854-5791	7900 International Drive Suite180	55435
Indianapolis, IN (Carmel)	(317)843-5970	11711 Meridian Street, Suite 200	46032
Troy, MI (Detroit)	(313)244-8850	3310 West Big Beaver Rd., Suite 515	48083
Shaumburg, IL (Chicago)	(312)240-1666	300 North Martingale Rd, Suite 700	60173
St. Louis, MO	(314)569-3332	11701 Borman Dr., Suite 150	63146
Wichita, KS	(316)683-3955	7804 East Funston, Suite 220 Cherry Creek Business Park	67207
Milwaukee, WI	(414)771-8611	1233 North Myfair Road, Suite 115	53226
Kansas City, MO	(913)345-2722	7101 College Blvd., Suite 425	66210
<b>NORTHWEST DISTRICT</b>			
Beaverton, OR (Portland)	(503)641-6948	8305 S.W. Creekside Place, Suite D	97005
Bellevue, WA (Seattle)	(206)453-5544	1756 114th Ave., S.E., Suite 202	98004
Santa Clara, CA	(408)496-2900	4301 Great American Parkway, 4th Flr	95054
Salt Lake City, UT	(801)265-9881	4516 South 700 East, Suite 360	84107
Sacramento, CA	(916)921-9816	5524 Assembly Court	95823
<b>SOUTHWEST DISTRICT</b>			
El Segundo, CA (LA)	(213)640-1121	2250 E. Imperial Hwy., Suite 545	90245
Englewood, CO (Denver)	(303)792-5700	9085 E. Mineral Circle	80112
Irvine, CA	(714)474-8508	1 Park Plaza, Suite 700	92714
Phoenix, AZ	(602)840-8699	4701 N. 24th St., Suite C-9	85013
San Diego, CA	(619)458-9921	5703 Oberline Dr., Suite 102	92121
Woodland Hills, CA	(818)883-5111	20300 Ventura Blvd., Suite 300	91364
Albuquerque, NM	(505)823-9502	5700 Harper Drive NE Suite 380	87109





apollo

# apollo

## BENCHMARK PERFORMANCE

	<b>DN3500</b> w/Optional FPA	<b>DN4500</b> w/Optional FPA	<b>Series 10000</b> Single Processor
MIPS (VAX 11/780 Relative Performance)	4MIPS	7 MIPS	15-30 MIPS
Linpack (sp)	.83 MFlops	1.1 MFlops	9 MFlops
(dp)	.49 MFlops	.58 MFlops	5.8 MFlops
Whetstone (sp)	4,444K	5,800K	18,500K
(dp)	2,696K	3,000K	17,000K



NEW YORK UNIVERSITY  
PURCHASING DIVISION

Nov 15 10 36 AM '80