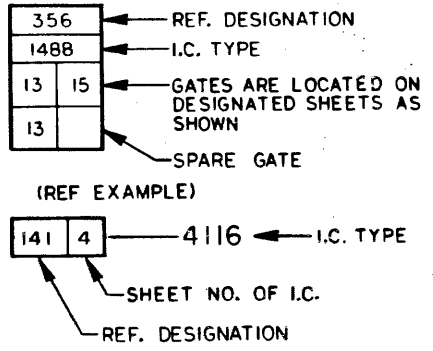
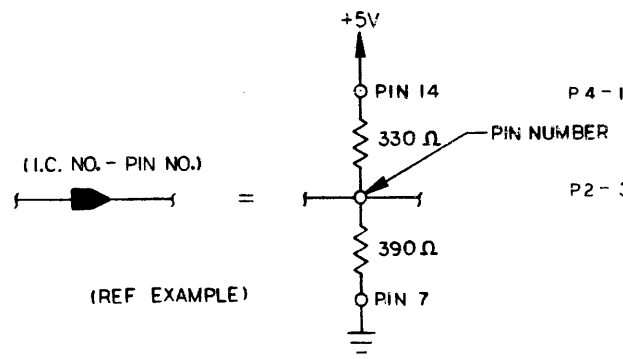


NOTES - UNLESS OTHERWISE SPECIFIED:

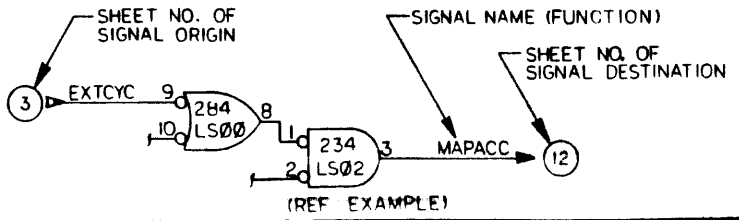
- CONNECTOR PIN DESIGNATIONS ARE PER SILK-SCREENED LED BOARD, NOT J1 CONNECTOR PIN DESIGNATOR.
- ALL RESISTORS ARE IN OHMS AND ARE 1/4 W UNLESS OTHERWISE SPECIFIED.
- FOR MODULE MAP, SEE SHEETS 29, 30 AND 31. GATES ARE IN ORDER OF OUTPUT PIN NUMBERS AND ARE DEPICTED FROM LEFT TO RIGHT, TOP TO BOTTOM ORDER.



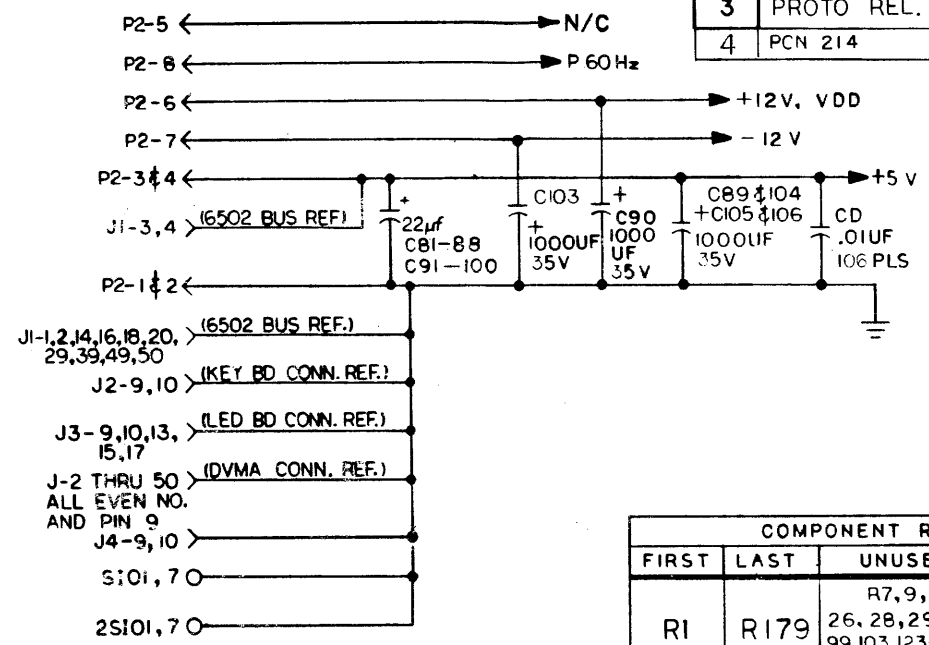
4. THIS SYMBOL DENOTES A PULL-UP AND PULL-DOWN RESISTOR, FOR I.C.'S 359 AND 364, THAT ARE LOCATED ON SHEETS 9, 10, 15 AND 21:



5. INPUT AND OUTPUT SIGNALS ARE DEPICTED AS FOLLOWS:



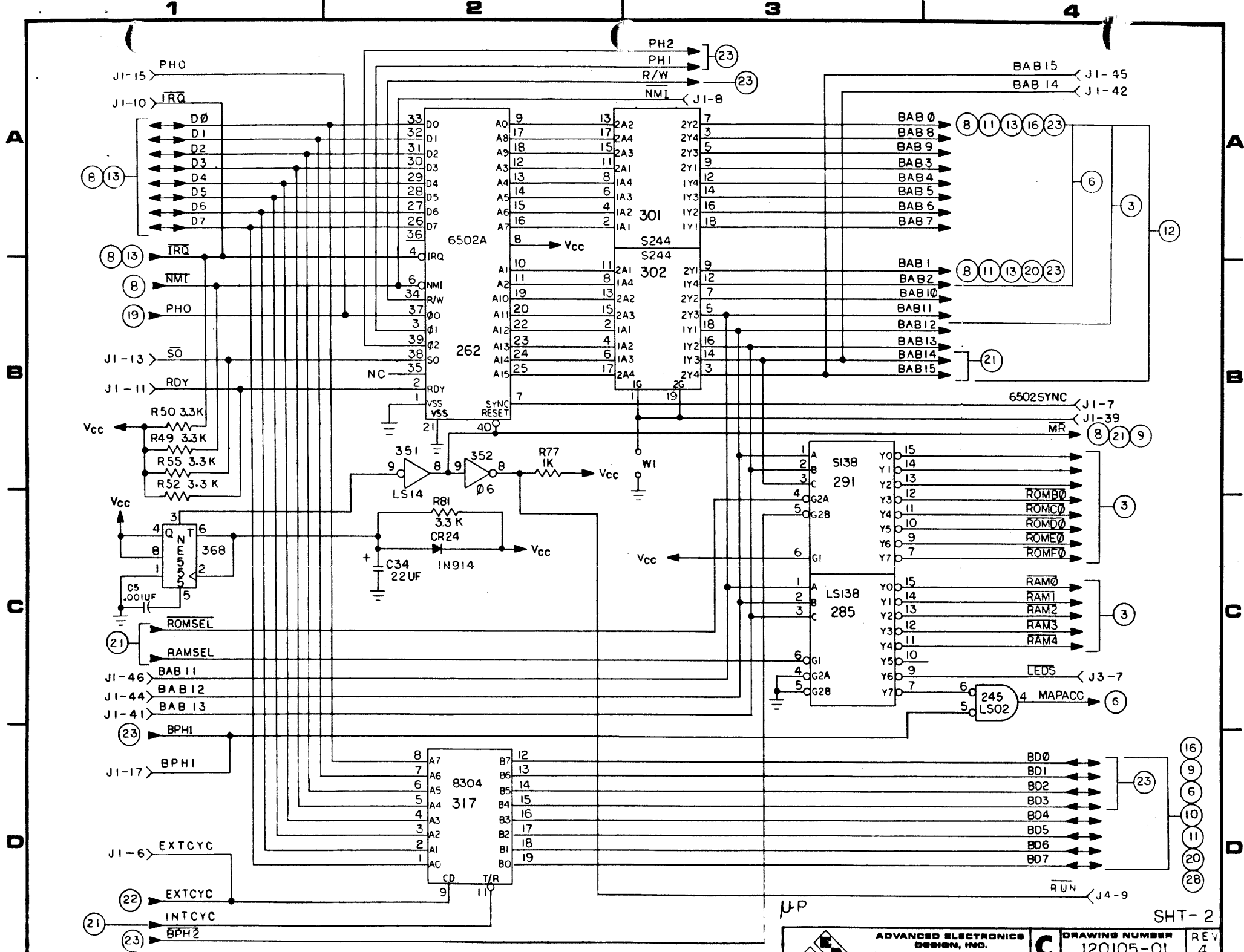
ISSUE	DESCRIPTION	TS	APPROV.
1	PROTO RELEASE		
2	PROTO REL PCN147		<i>W.C. Mead</i>
3	PROTO REL. PCN147A		<i>W.C. Mead</i>
4	PCN 214		<i>W.C. Mead</i>

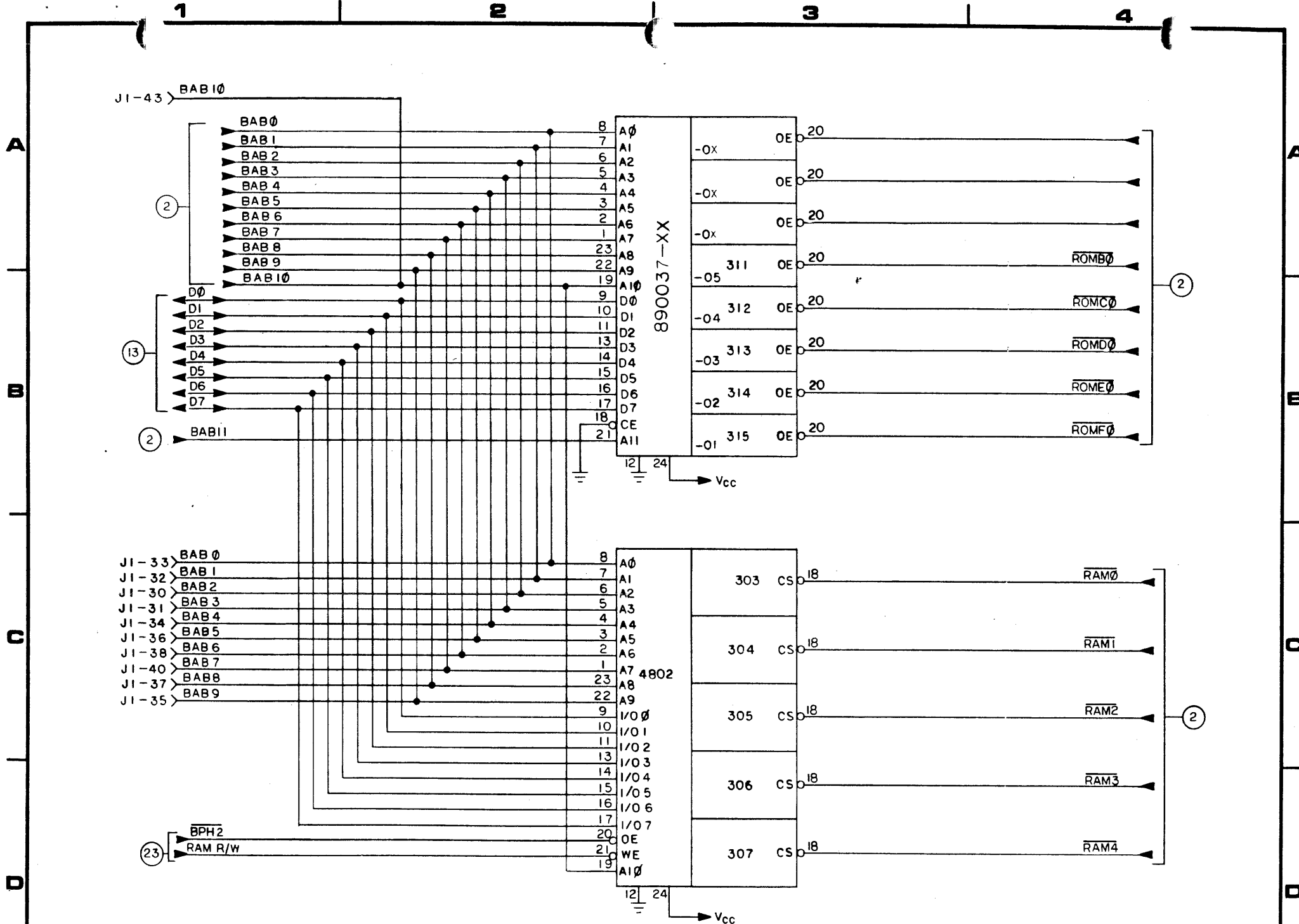


COMPONENT REF. DESIG.		
FIRST	LAST	UNUSED
RI	R179	R7, 9, 10, 12, 13, 14, 16, 26, 28, 29, 30, 36, 37, 76, 99, 103, 123-130, 139, 141, 144, 145, 167, 168, 169, 172
CI	C112	C3, 45-50, 58, 60, 63, 65-69, 71, 101, 107, 108, 109, 110
A00	A375	
CR1	CR29	CR9, CR15-18
Q1	Q14	Q2, 3, 7.
REG 4	10	REG 1, 2, 3, 5, 6, 7.
PI	P7	
L1	L2	

QTY	REV	SI	PART NUMBER	CODE IDENT	DESCRIPTION	ITEM NO.
01	120104	7 6 7				
DASH NO.	NEXT ASSY	USED ON	APPLICATION			

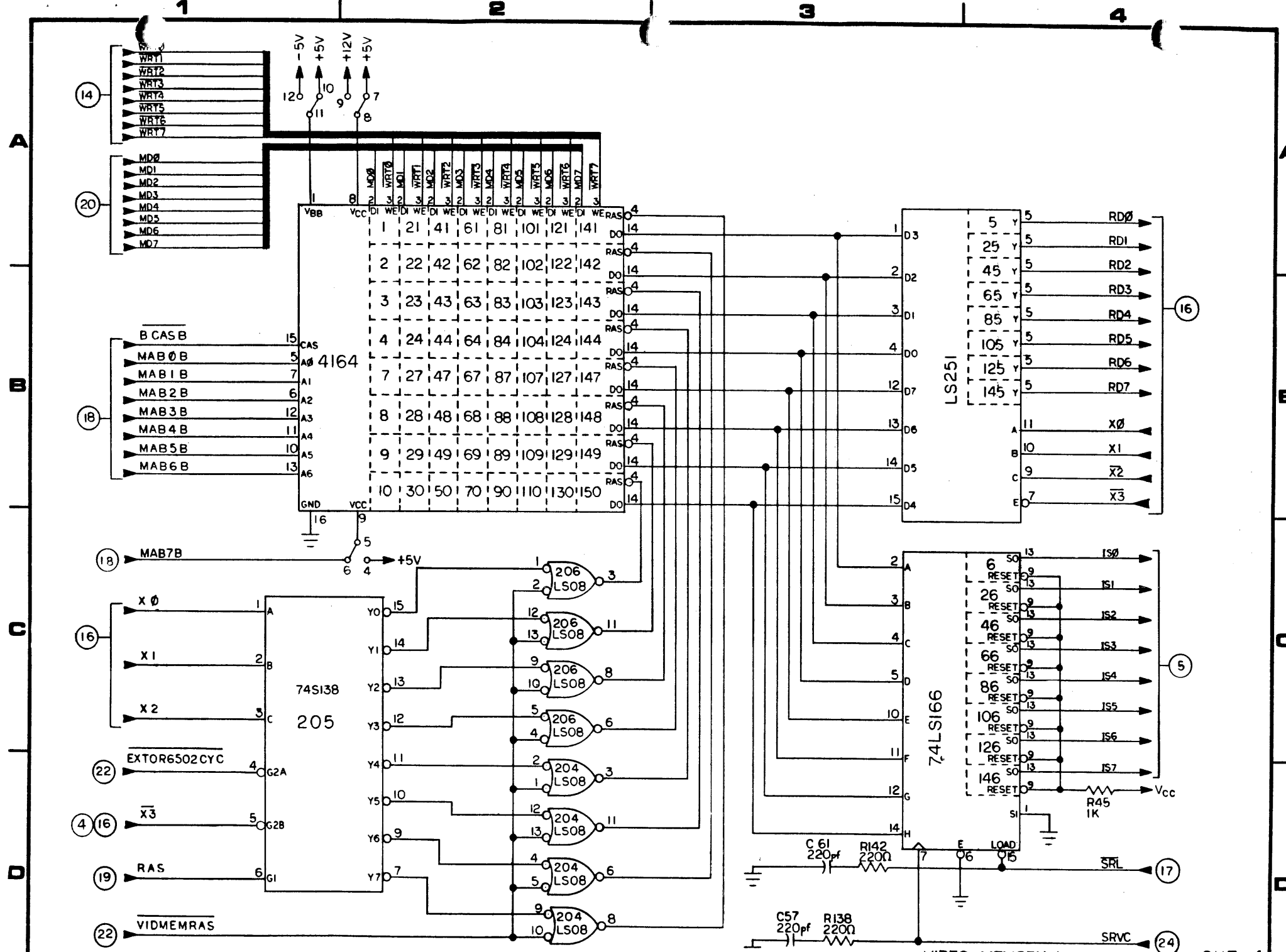
TOLERANCE UNLESS OTHERWISE SPECIFIED	MATERIAL	DWN. 7-15-81
.XX ±		<i>Jim Ammon</i>
.XXX ±		<i>W.C. Mead</i>
ANGULAR		<i>W.C. Mead</i>
SURFACE		<i>W.C. Mead</i>
SCALE		<i>W.C. Mead</i>
DRAWING TITLE		
SCHEMATIC		
AED 767		
ADVANCED ELECTRONICS DESIGN, INC. BURNING WOODS, MISSOURI	DRAWING NUMBER	REV
	120105-01	4





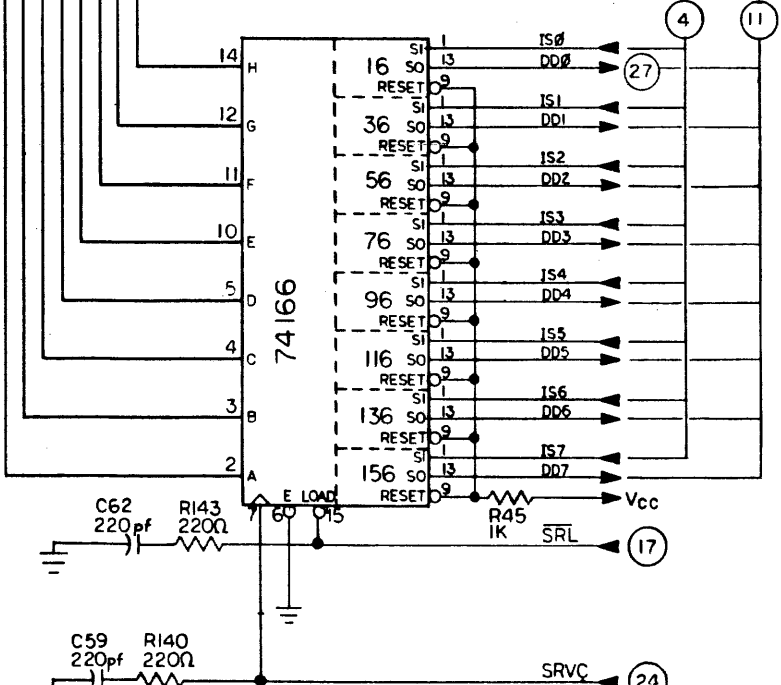
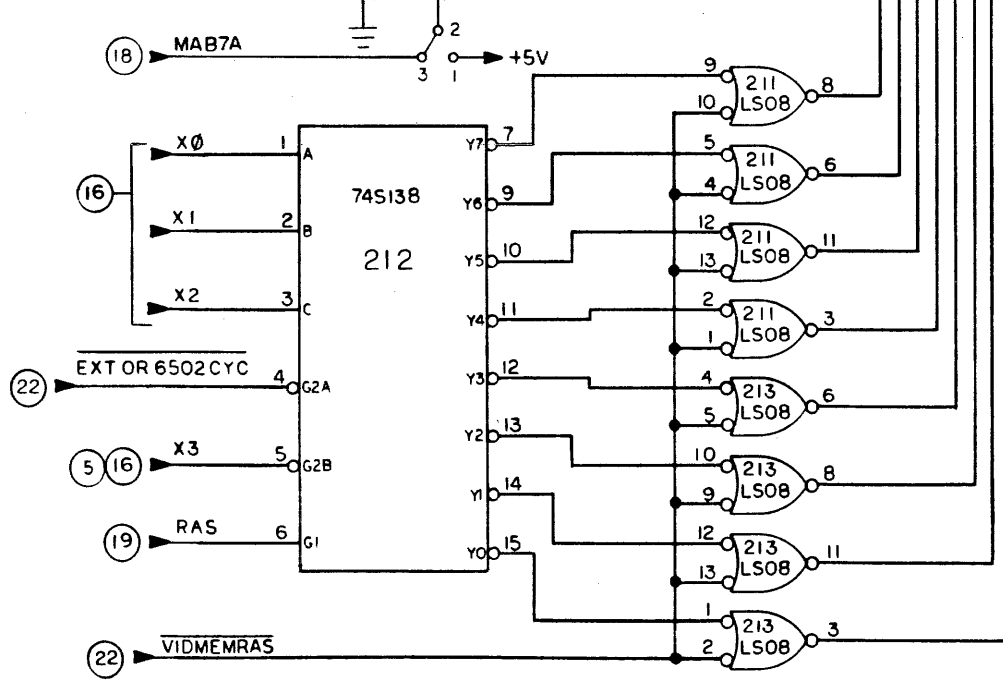
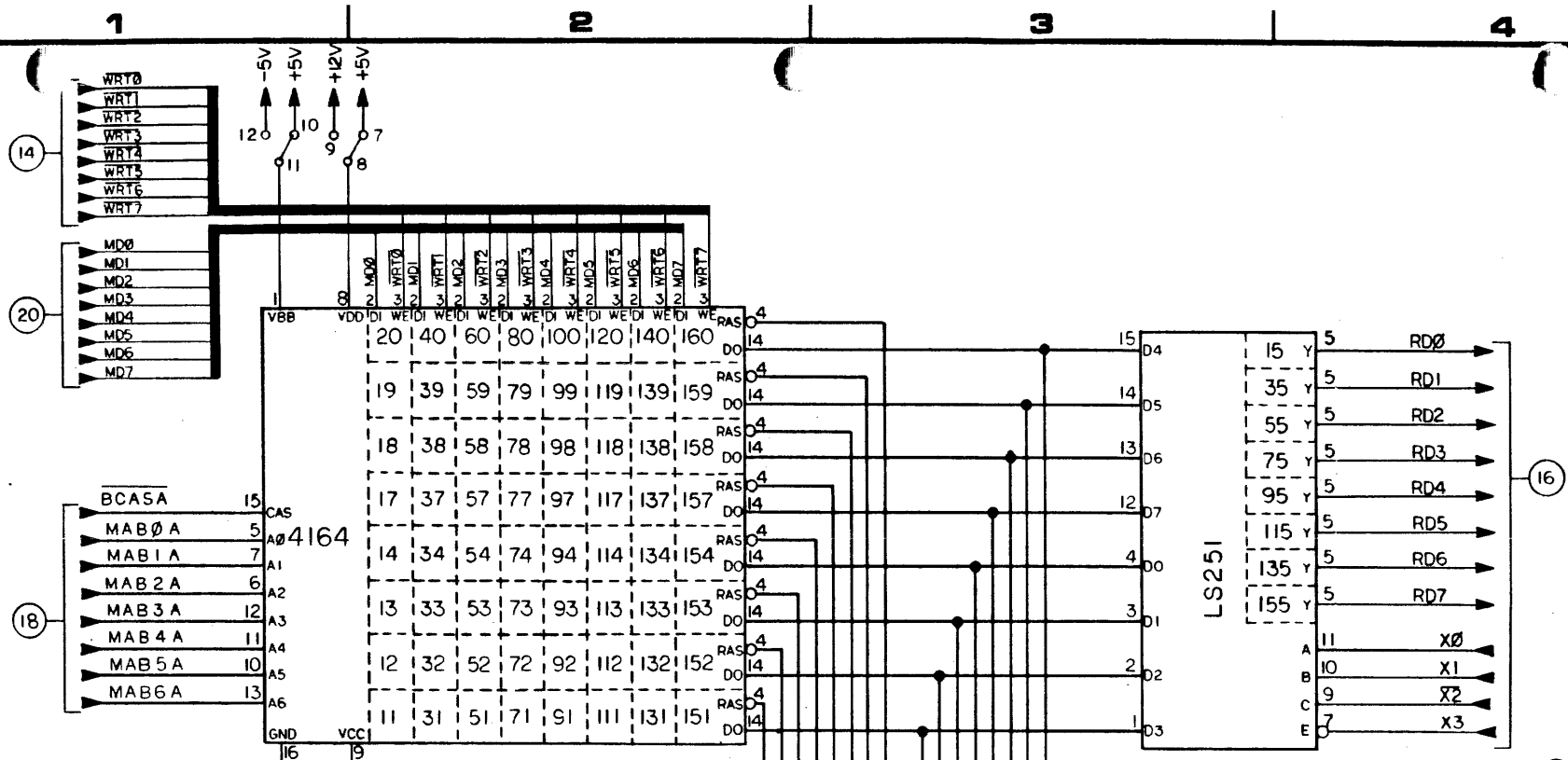
RAM/ROM

SHT-3

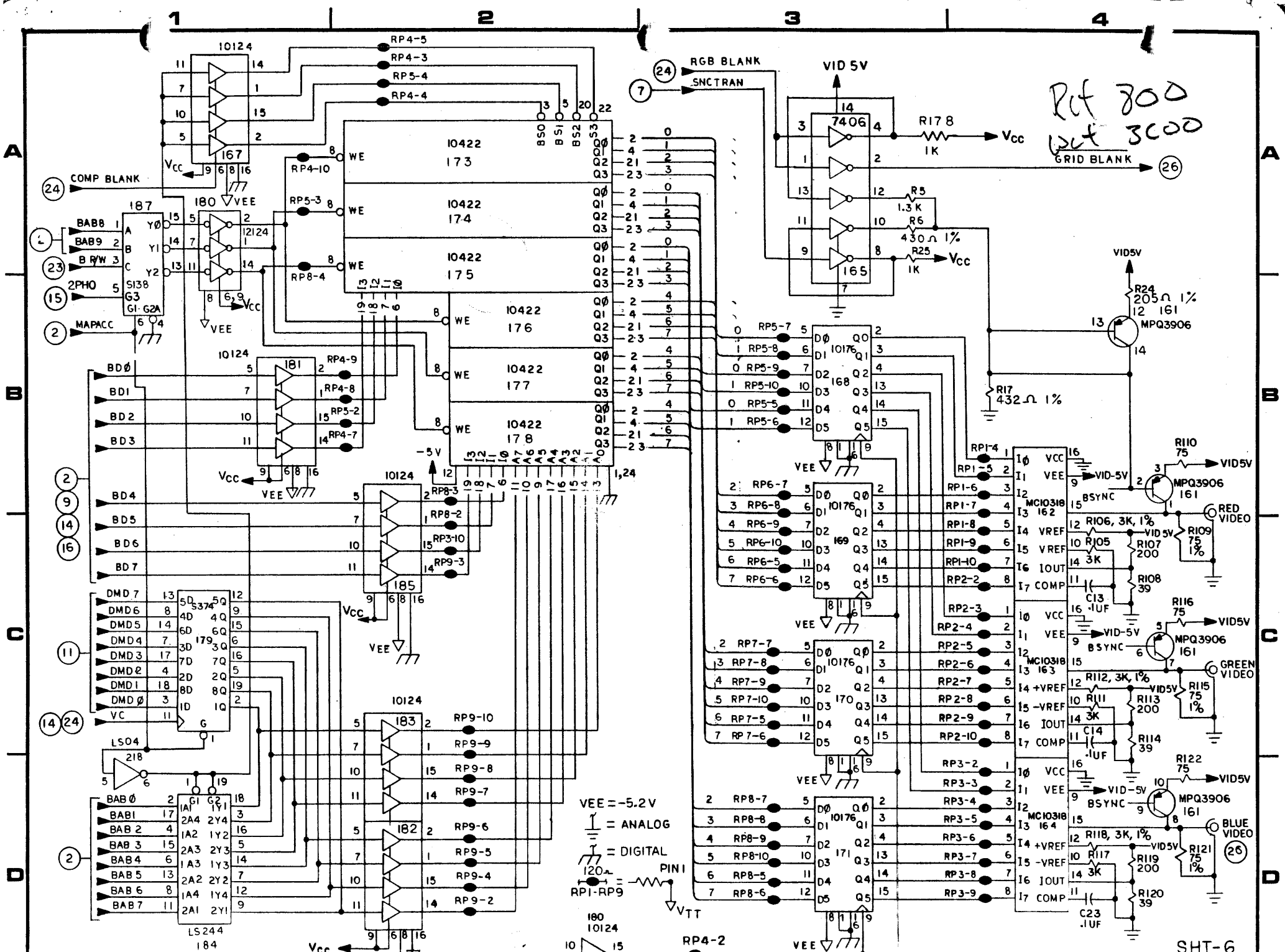


VIDEO MEMORY I SHT-4


 SIMPLO GRAPHICS/ACCUPRESS
 REORDER NO. 411010

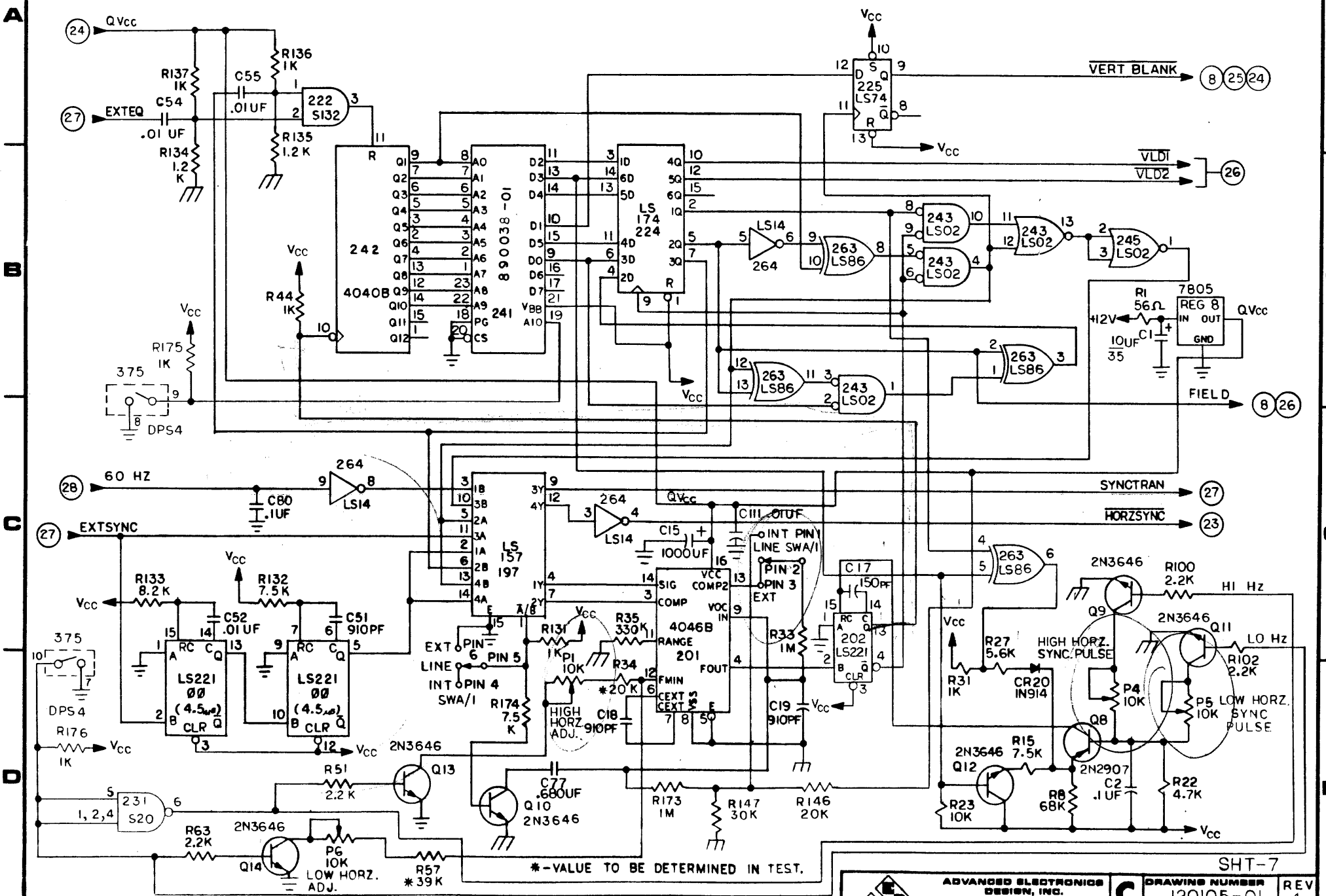


VIDEO MEMORY 2 SHT-5

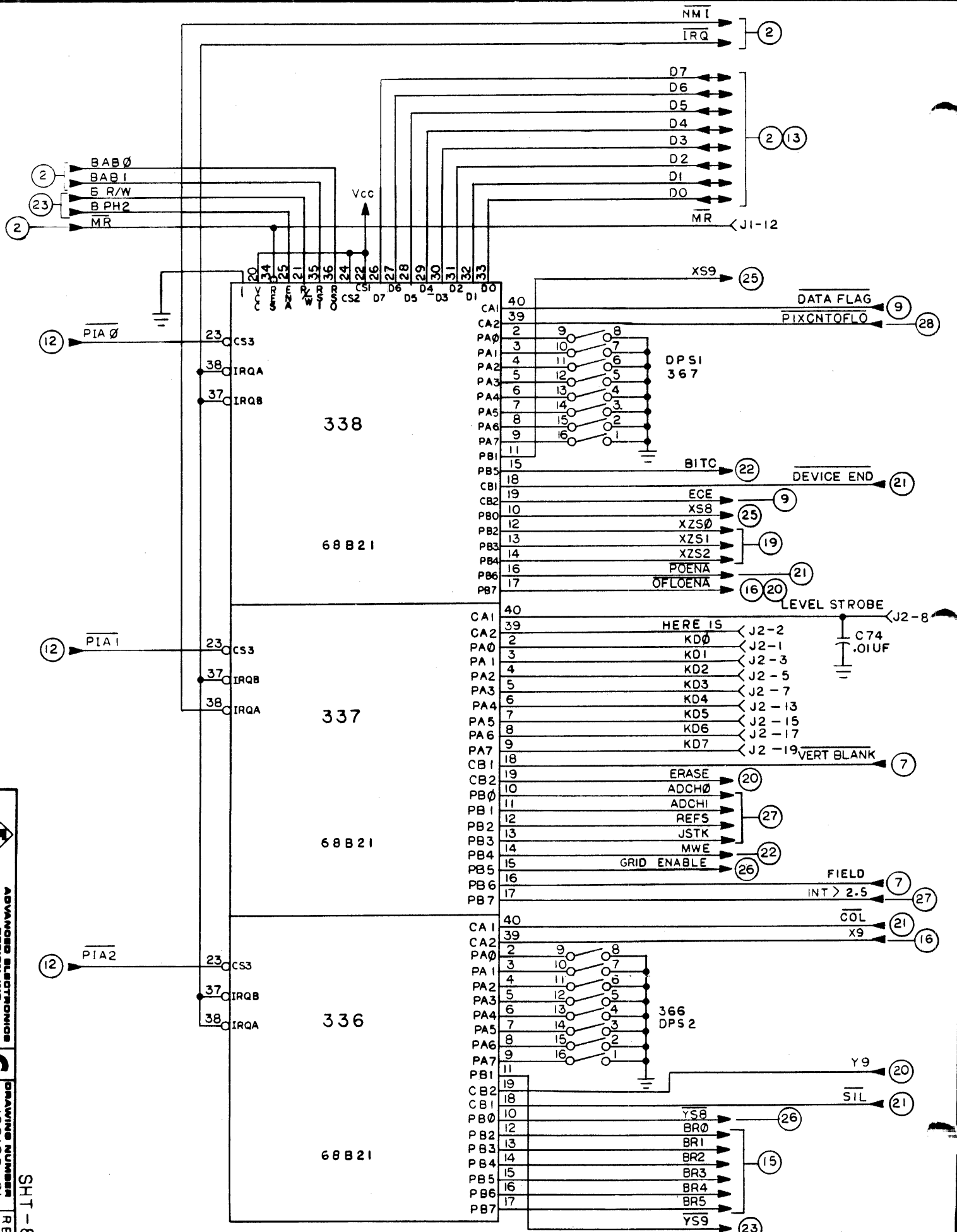


Ref 700
Vcc 3000
GRID BLANK

VEE = -5.2V
 [Symbol] = ANALOG
 [Symbol] = DIGITAL
 [Symbol] = PIN1
 [Symbol] = VTT



	ADVANCED ELECTRONICS DESIGN, INC. SUNNYVALE, CALIF. 94088	C	DRAWING NUMBER 120105-01	REV 4
	SHT-7			

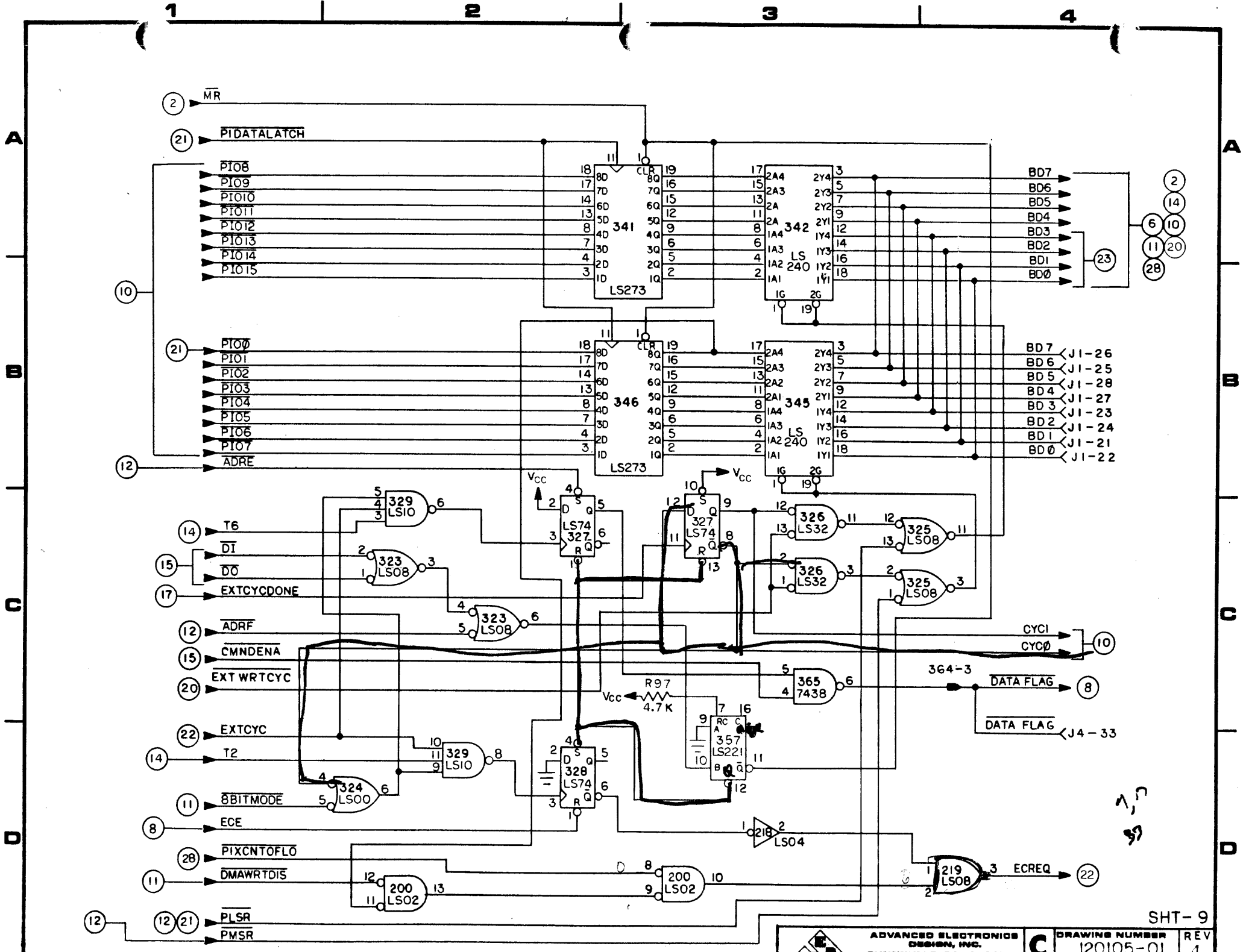



ADVANCED ELECTRONICS DESIGN, INC.
 SUNNYVALE, CALIF. 94088

DRAWING NUMBER 120105-01

REV 4

SHT-8

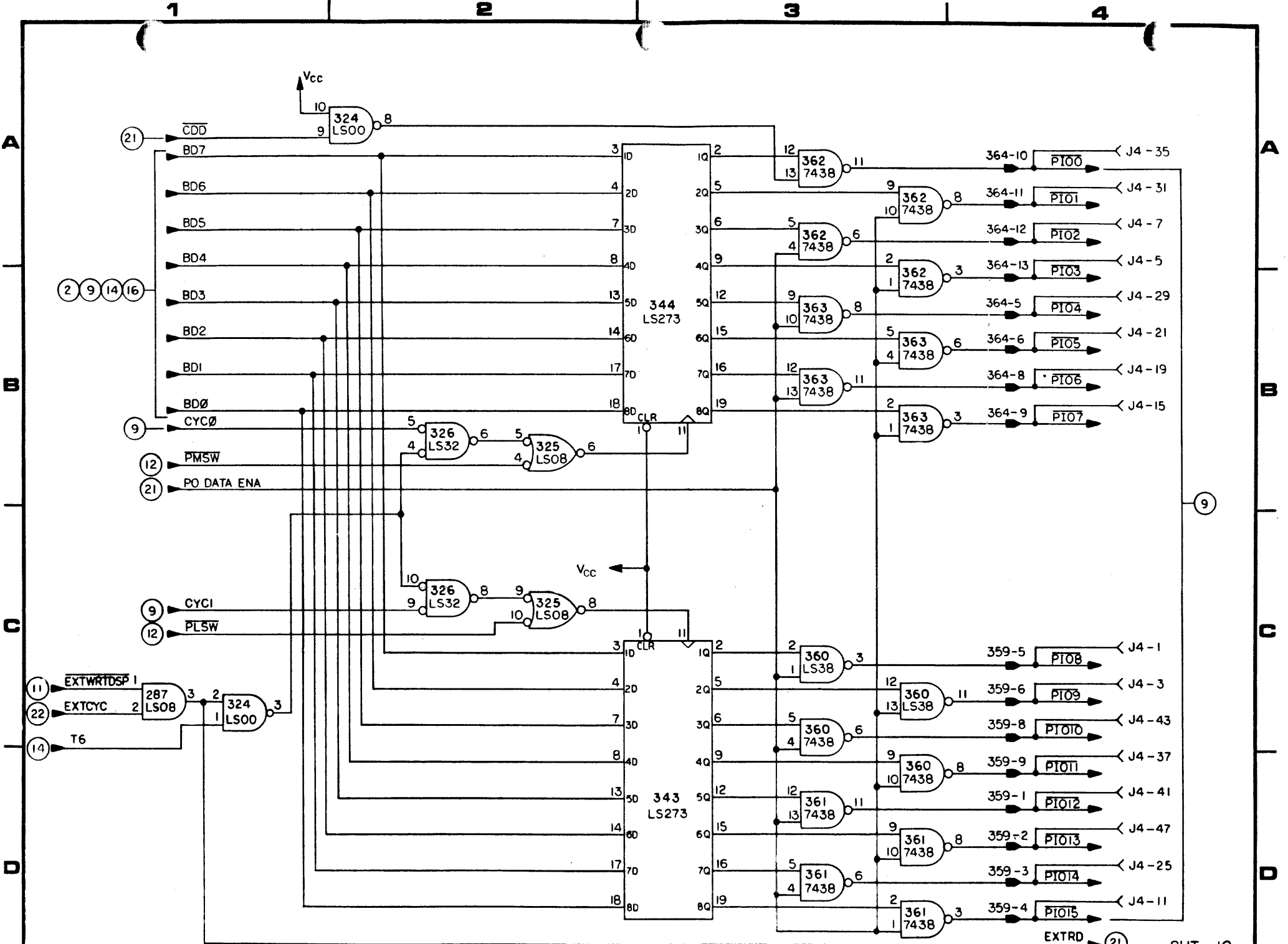


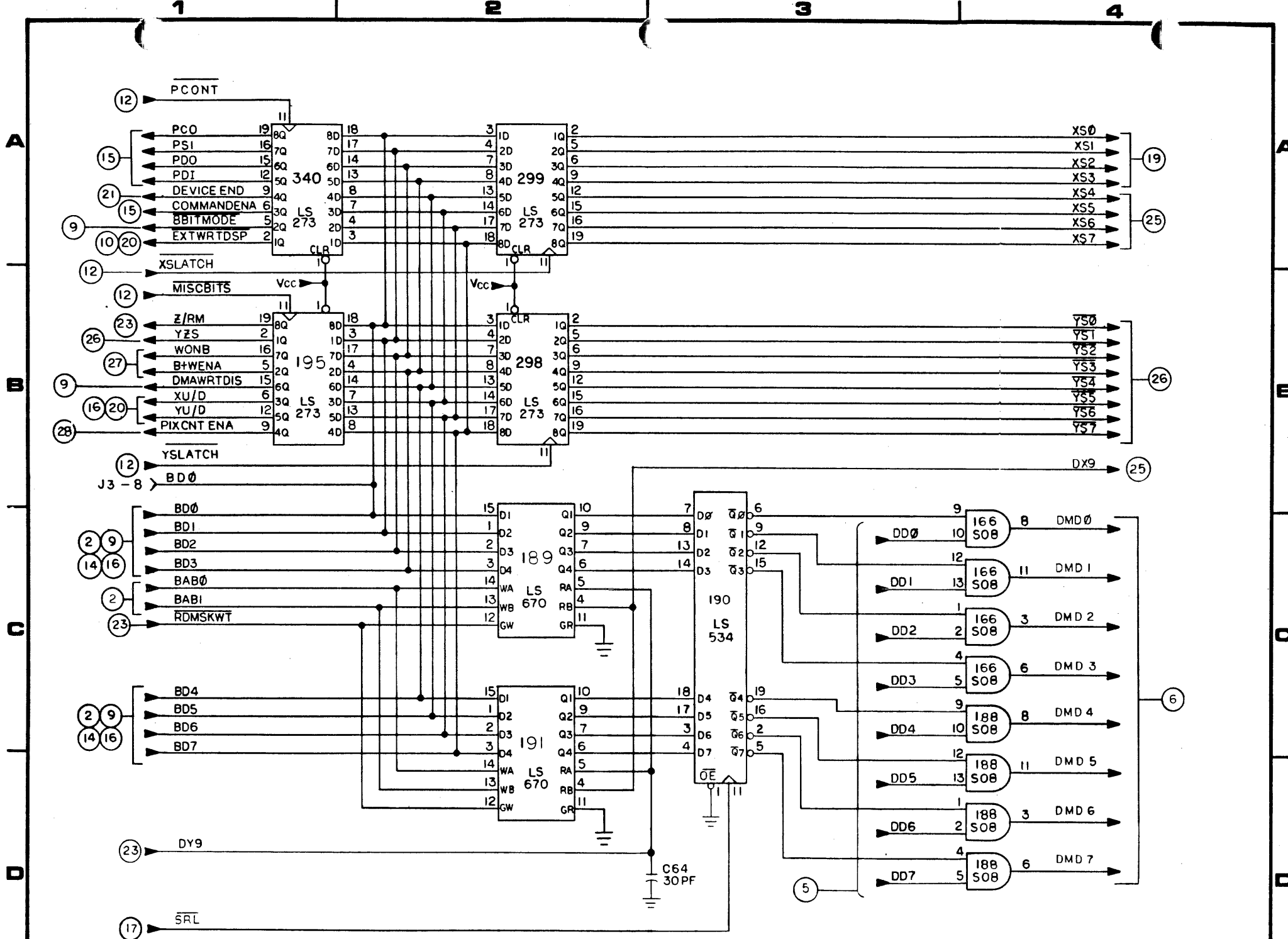
SHT-9

ADVANCED ELECTRONICS
DESIGN, INC.
SUNNYVALE, CALIF. 94088

DRAWING NUMBER
120105-01

REV
4





SHT-11

1

2

3

4

A

A

B

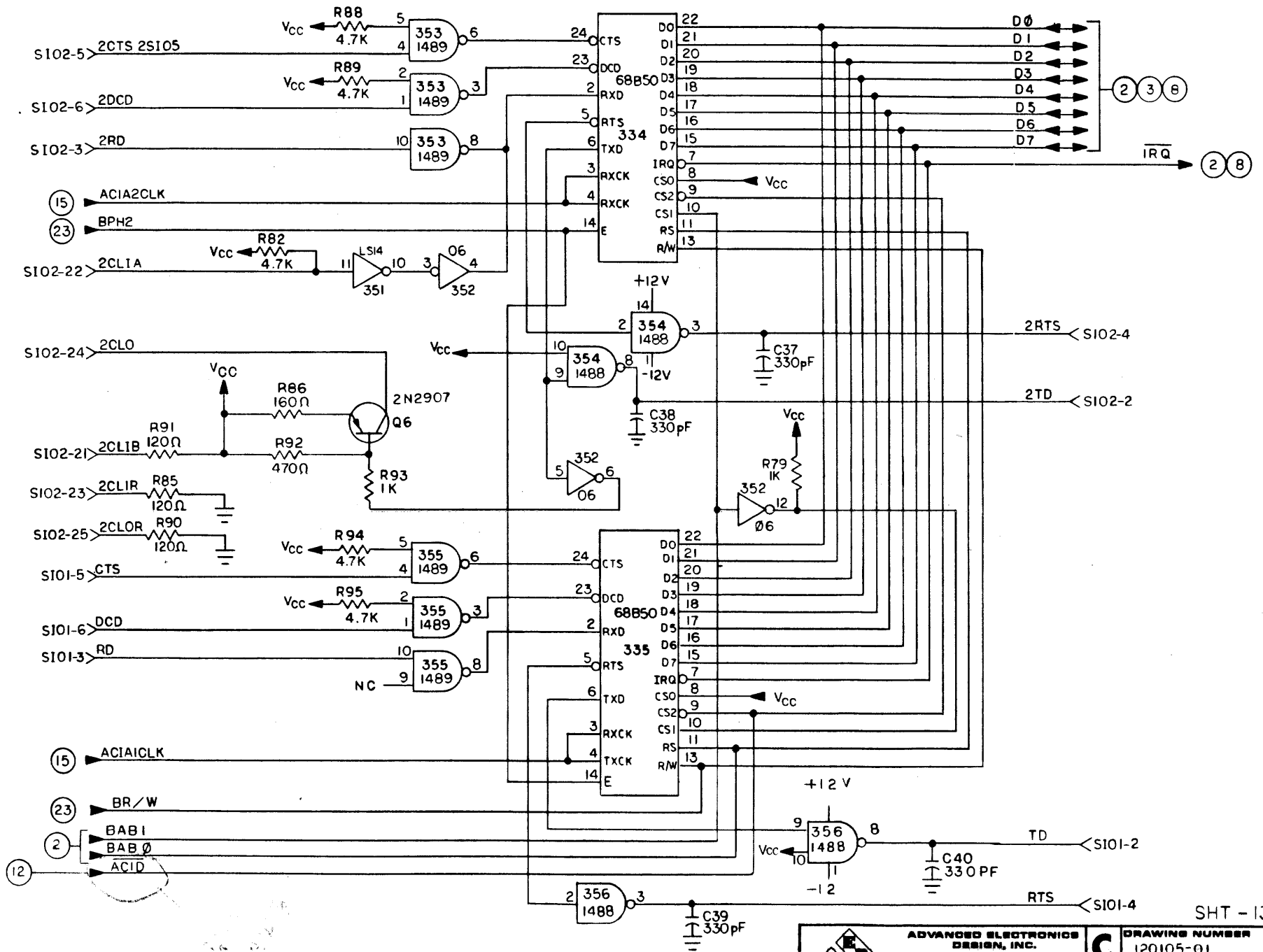
B

C

C

D

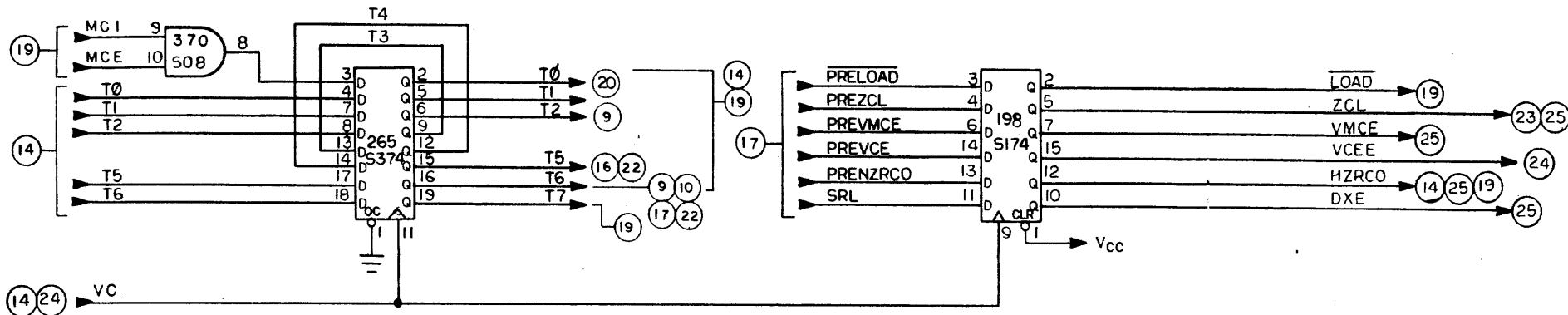
D



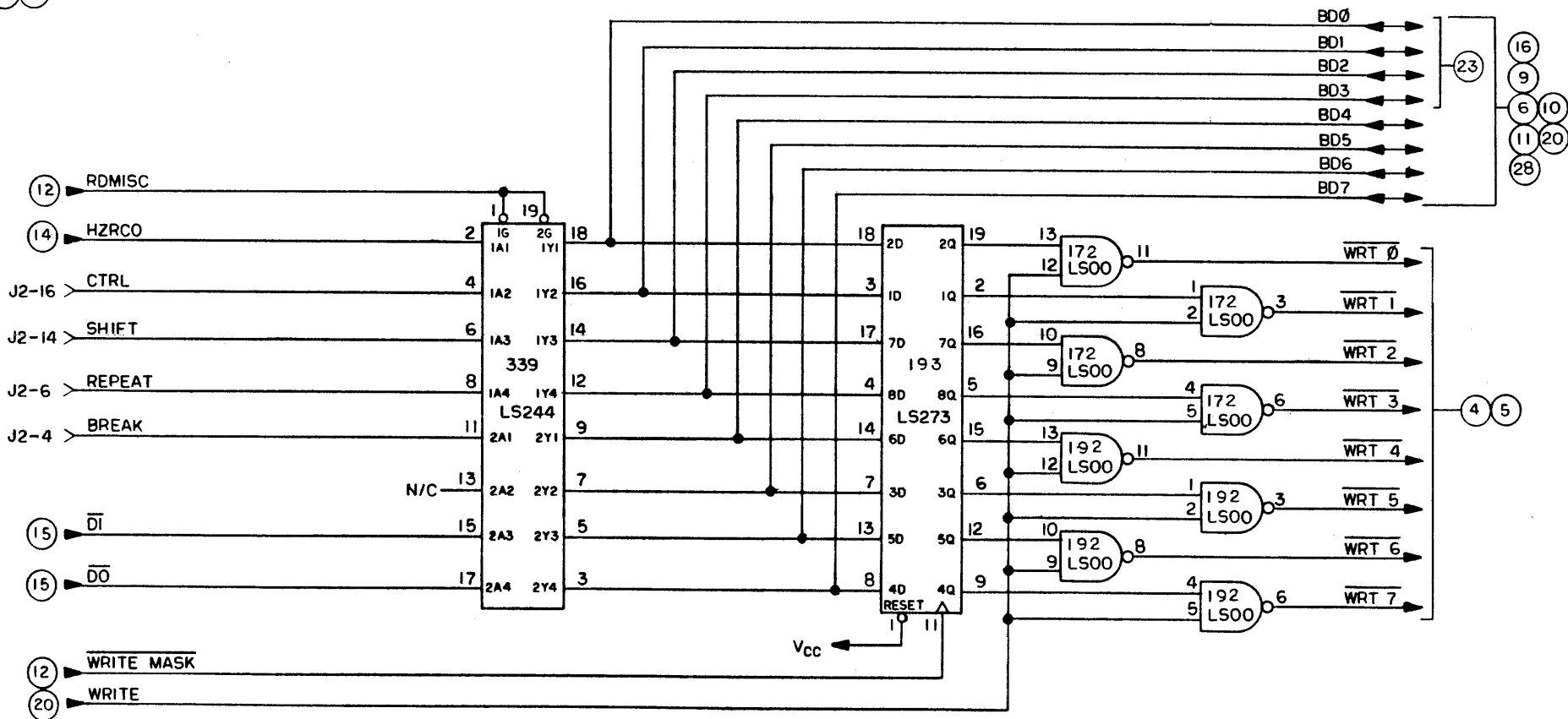
SHT - 13

	ADVANCED ELECTRONICS DESIGN, INC. SUNNYVALE, CALIF. 94088	C	DRAWING NUMBER 120105-01	REV 4

A



B



C

D

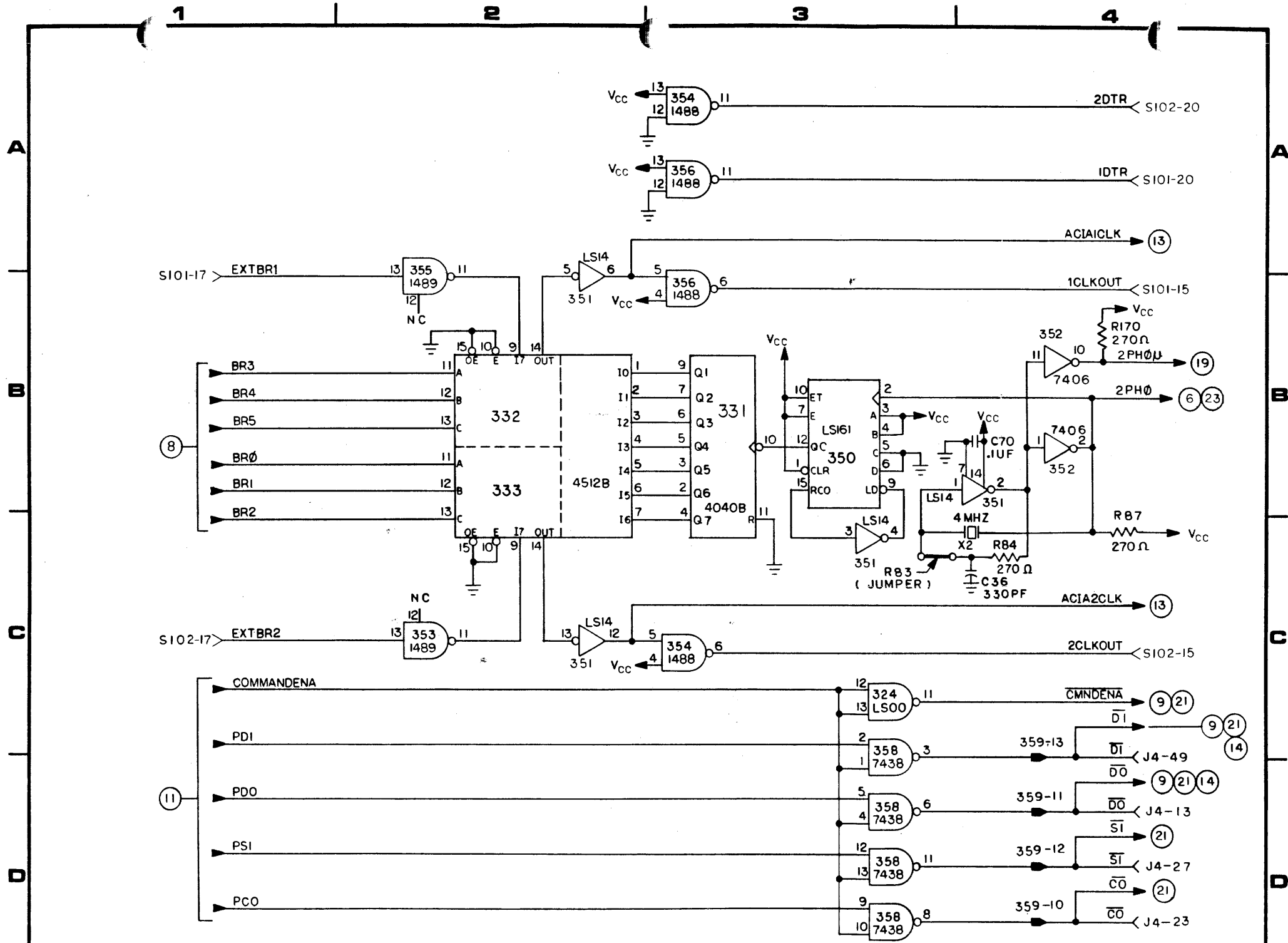
SHT-14



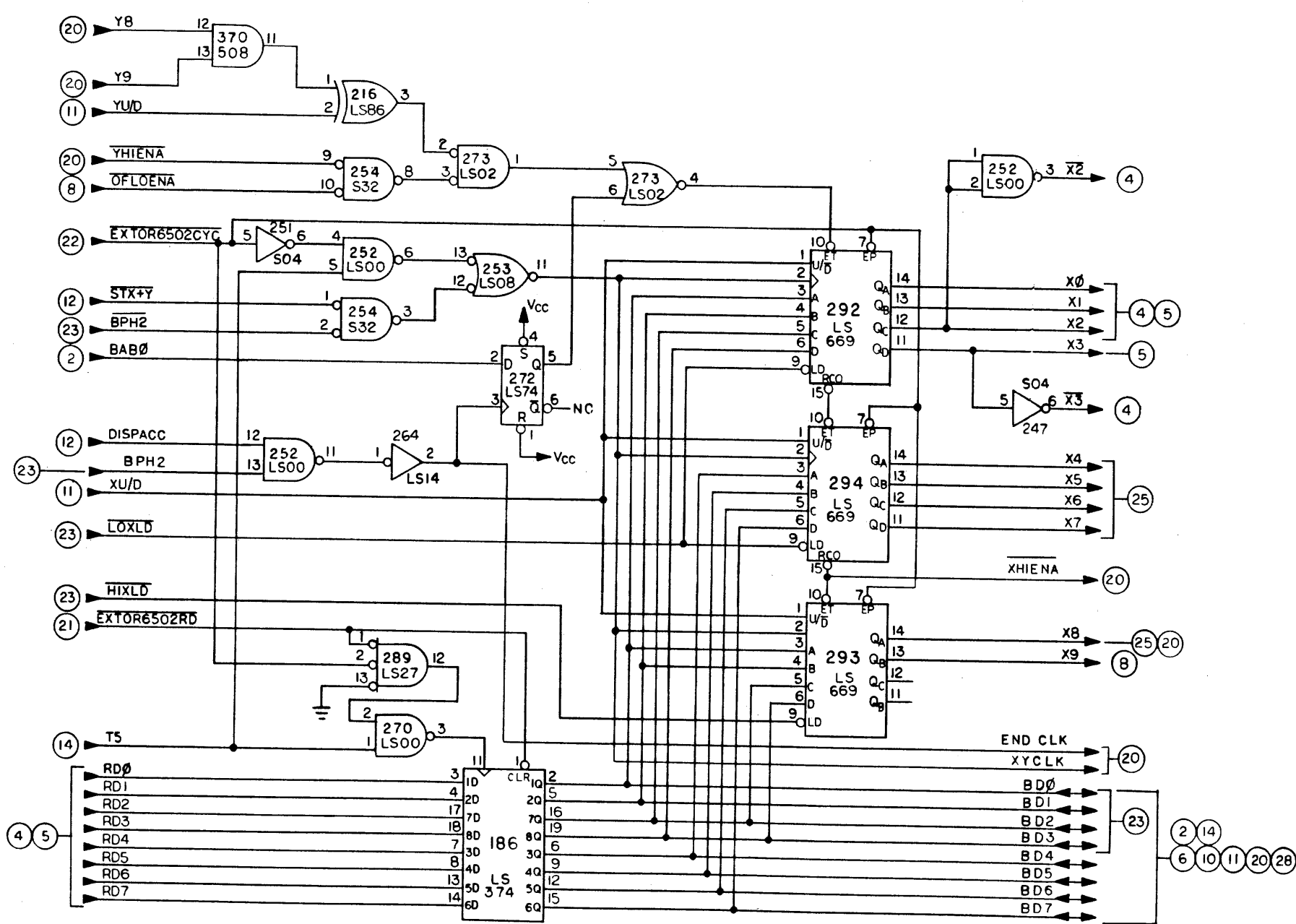
ADVANCED ELECTRONICS
DESIGN, INC.
SUNNYVALE, CALIF. 94086

C DRAWING NUMBER
120105-01

REV
4



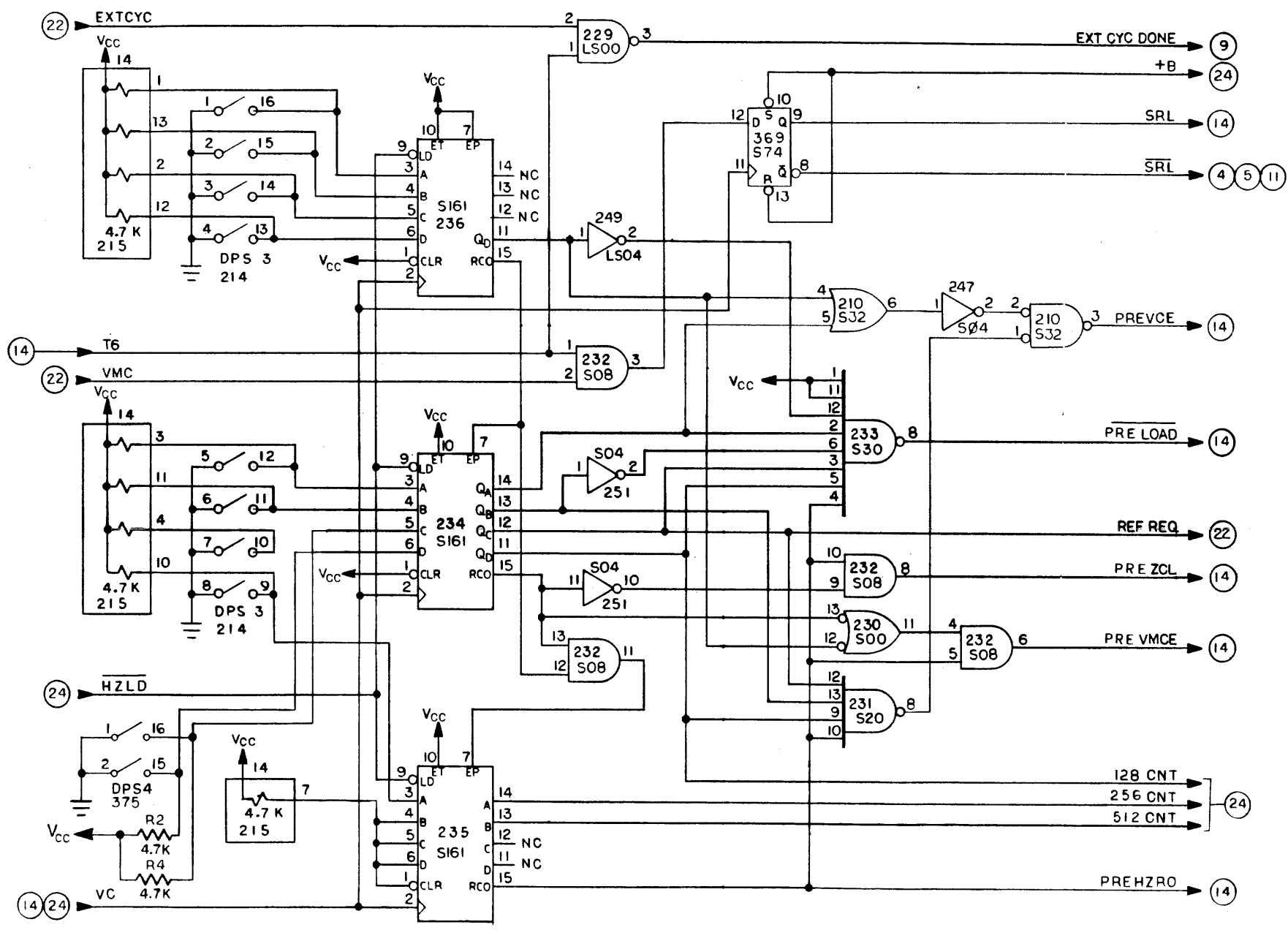
SHT-15



SHT-16

1 2 3 4

A B C D



1

2

3

4

A

A

B

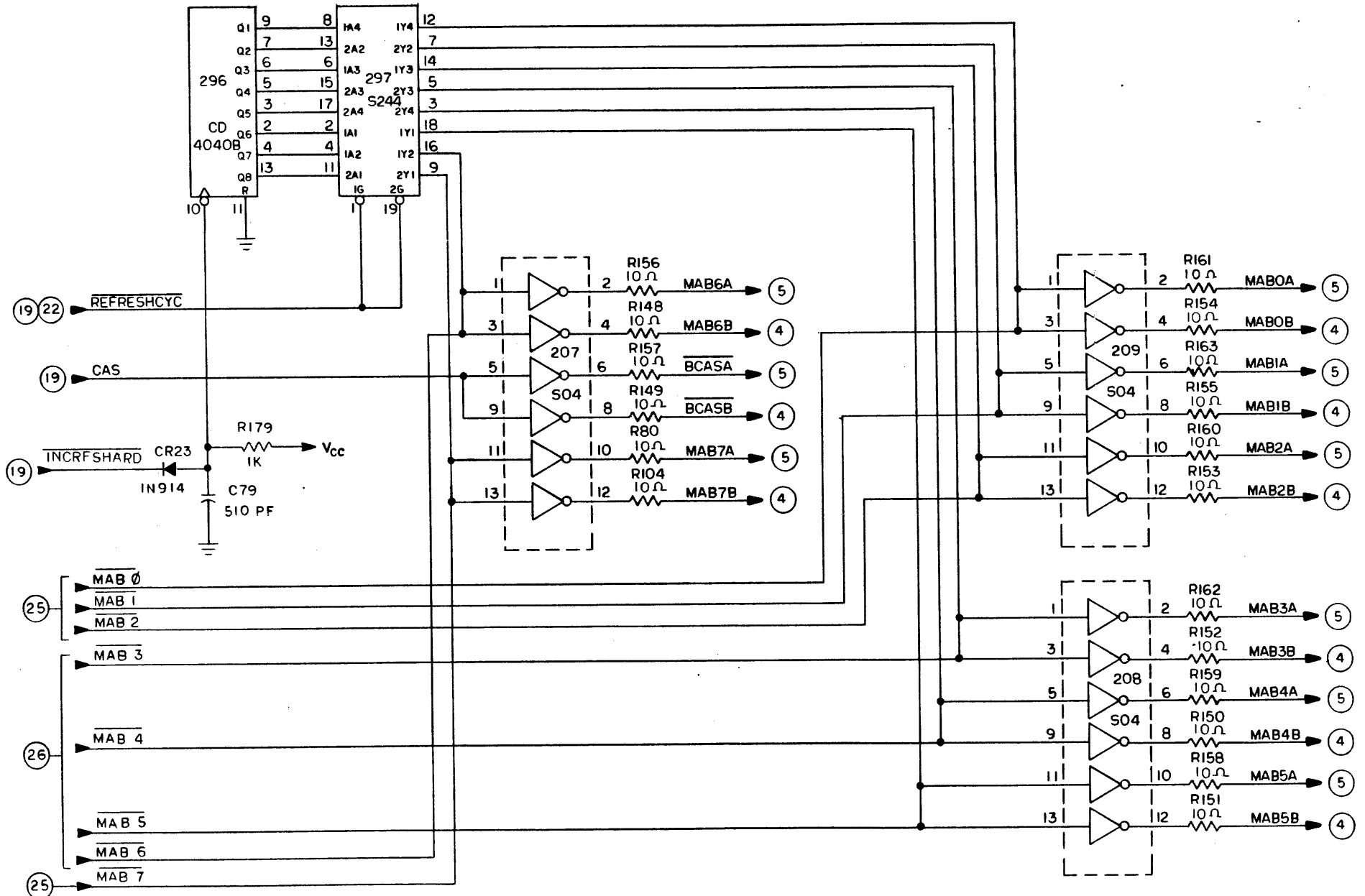
B

C

C

D

D



SHT-18

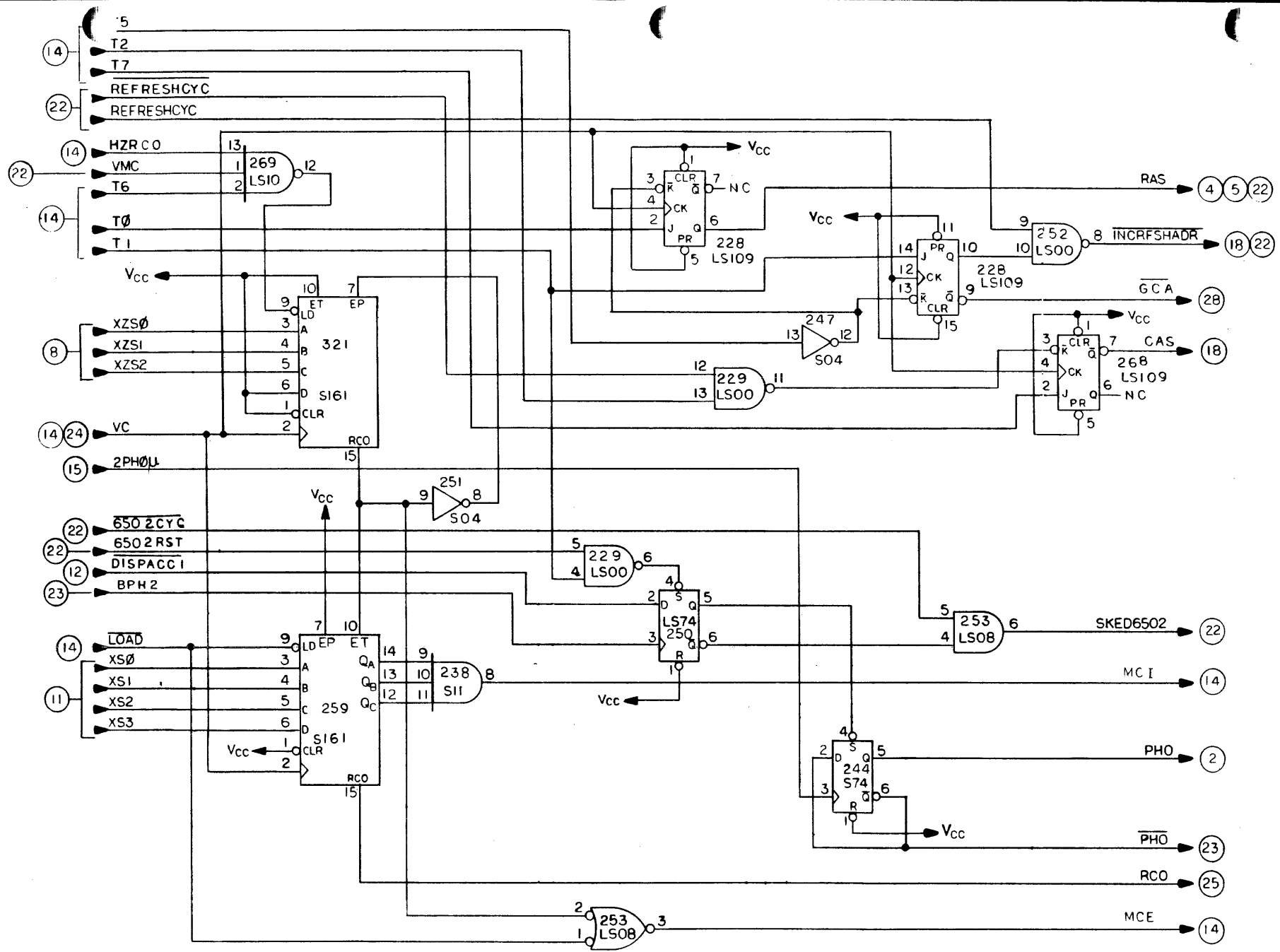


ADVANCED ELECTRONICS
DESIGN, INC.
SUNNYVALE, CALIF. 94088



DRAWING NUMBER
120105-01

REV
4



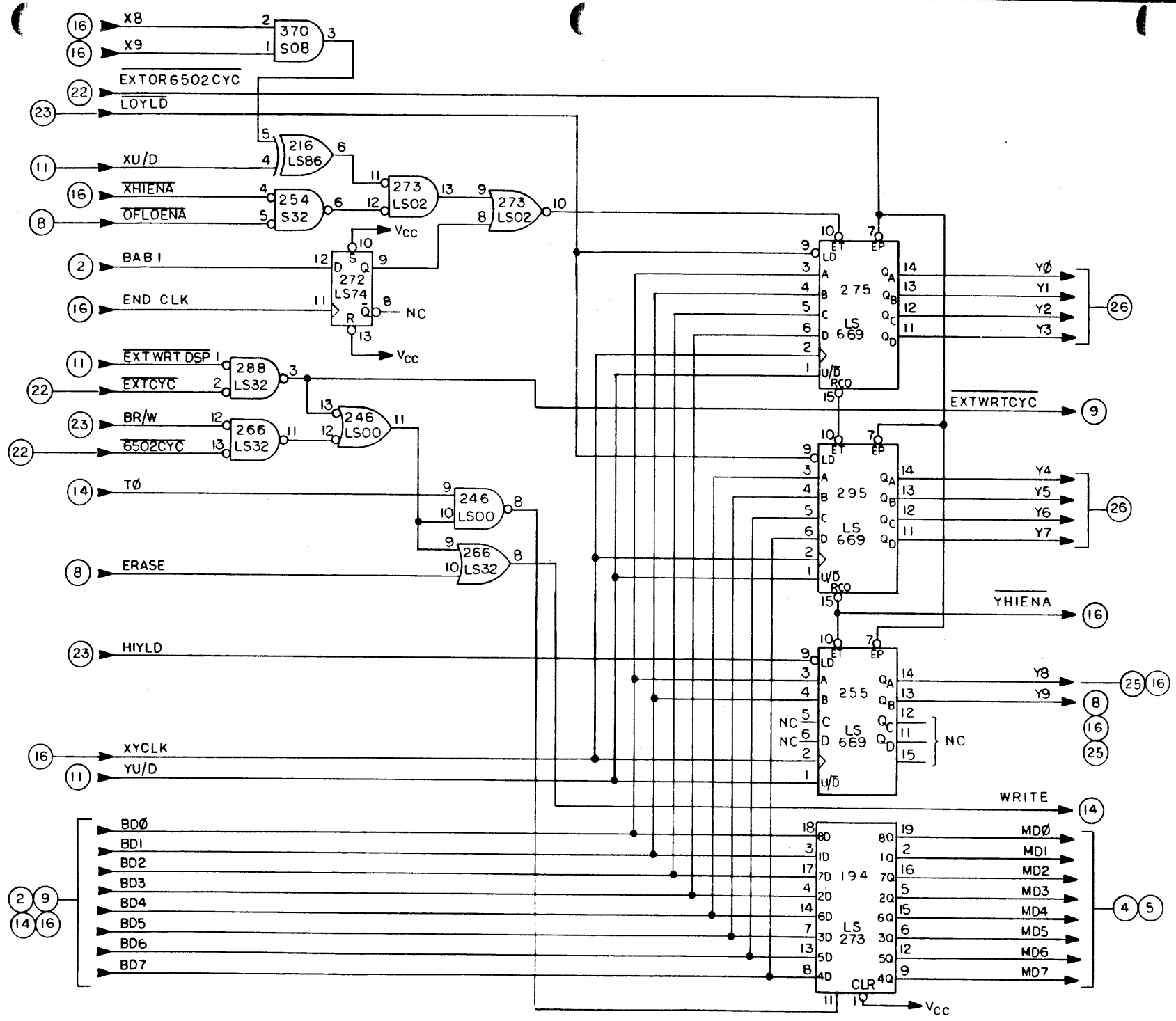
ADVANCED ELECTRONICS
DESIGN, INC.
SUNNYVALE, CALIF. 94086



DRAWING NUMBER
120105-01

REV
4

SHT -19



1

2

3

4

A

A

B

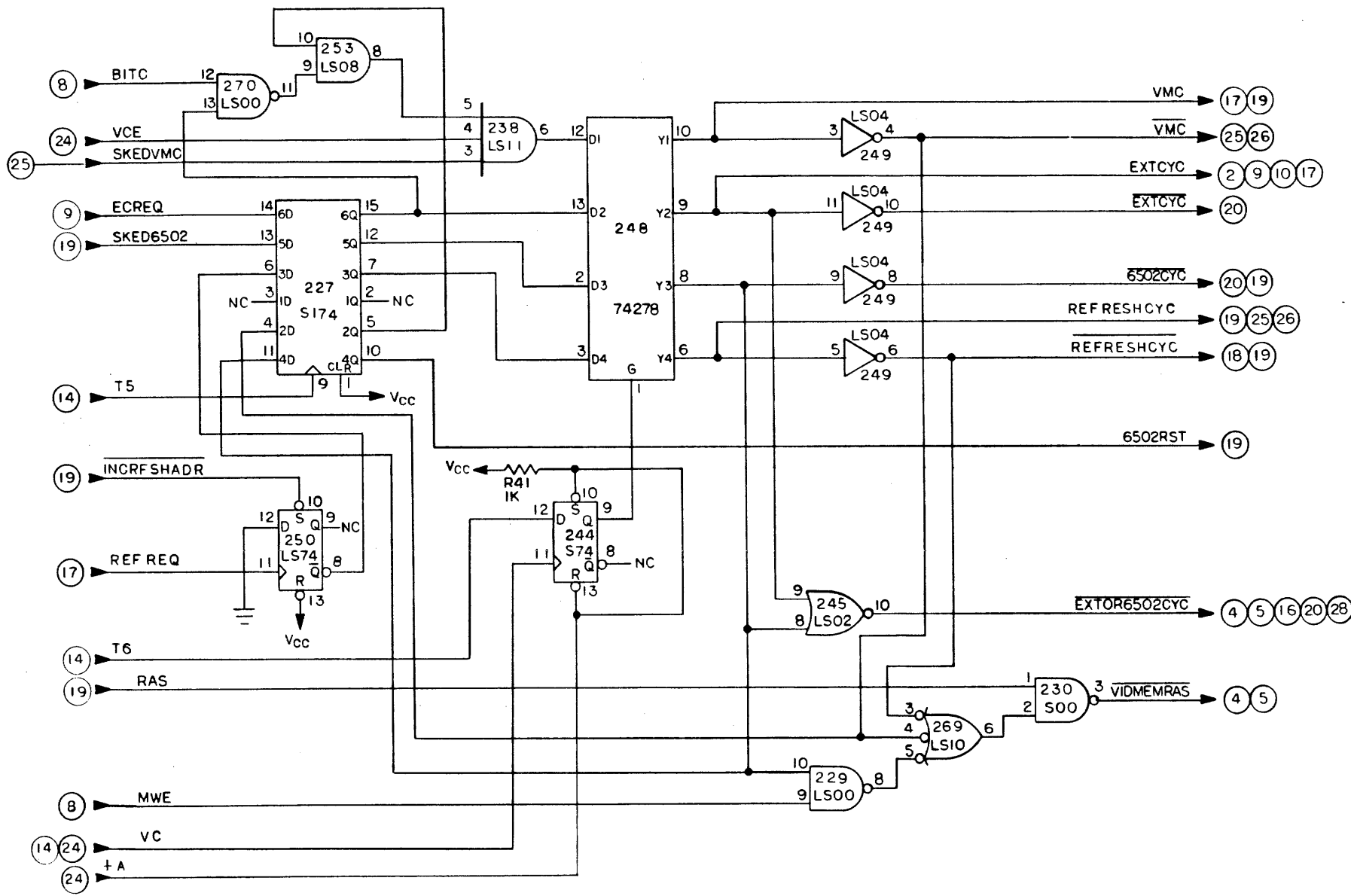
B

C

C

D

D



SHT-22

1

2

3

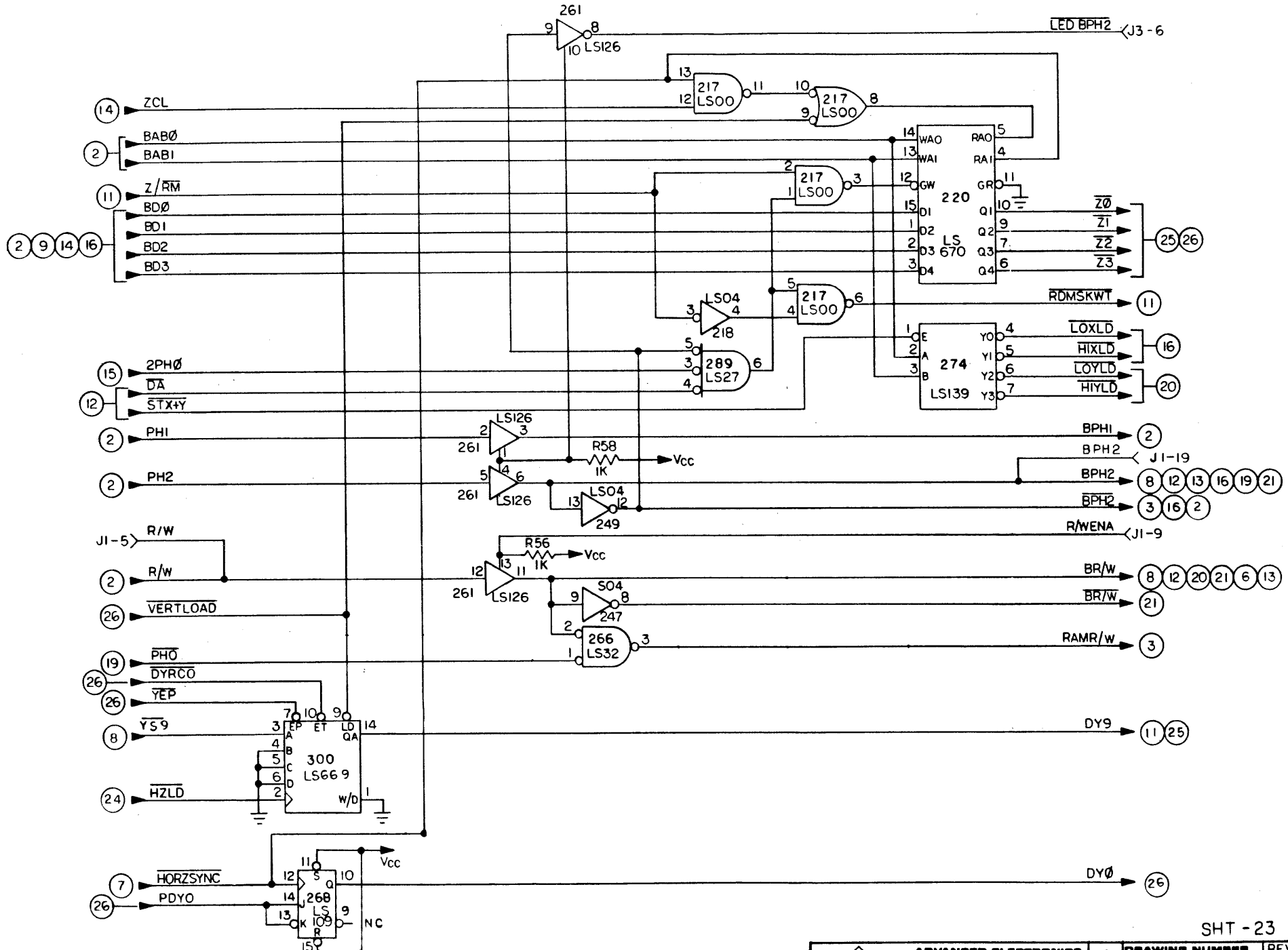
4

A

B

C

D



SHT - 23

	ADVANCED ELECTRONICS DESIGN, INC. SUNNYVALE, CALIF. 94088	C	DRAWING NUMBER 120105-01	REV 4
	SHEET 23 OF 21			

A

B

C

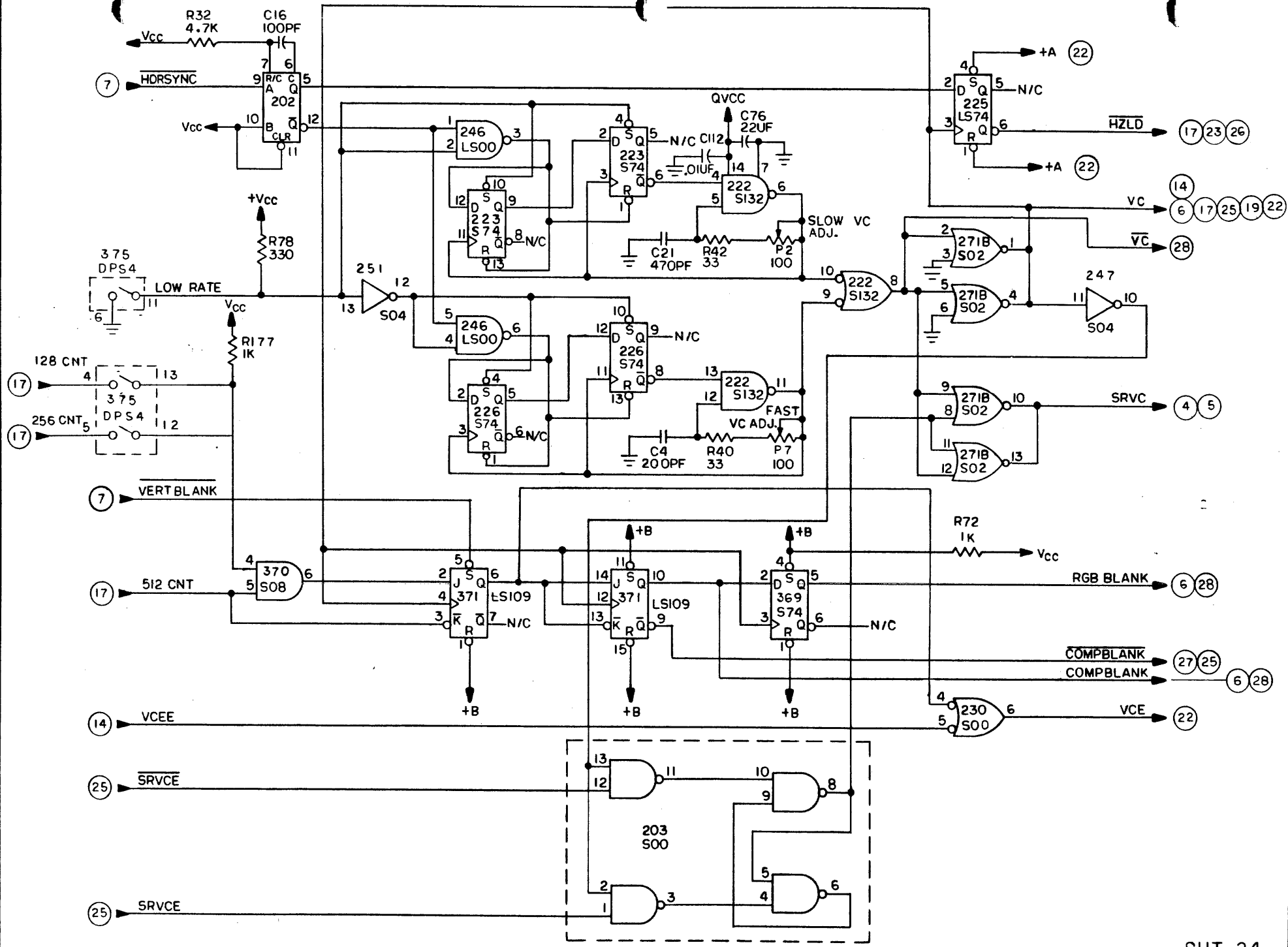
D

A

B

C

D



SHT-24

1

2

3

4

A

A

B

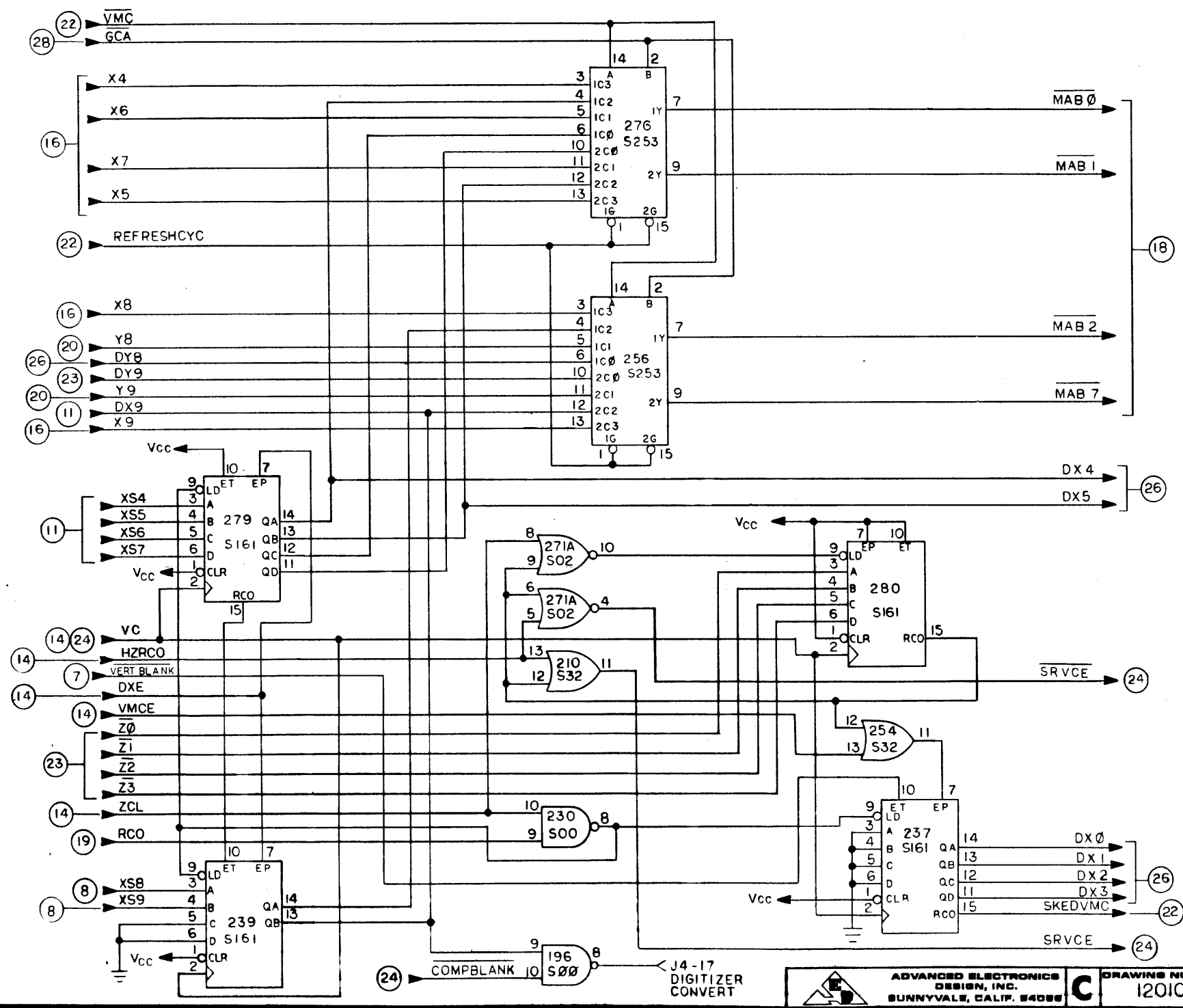
B

C

C

D

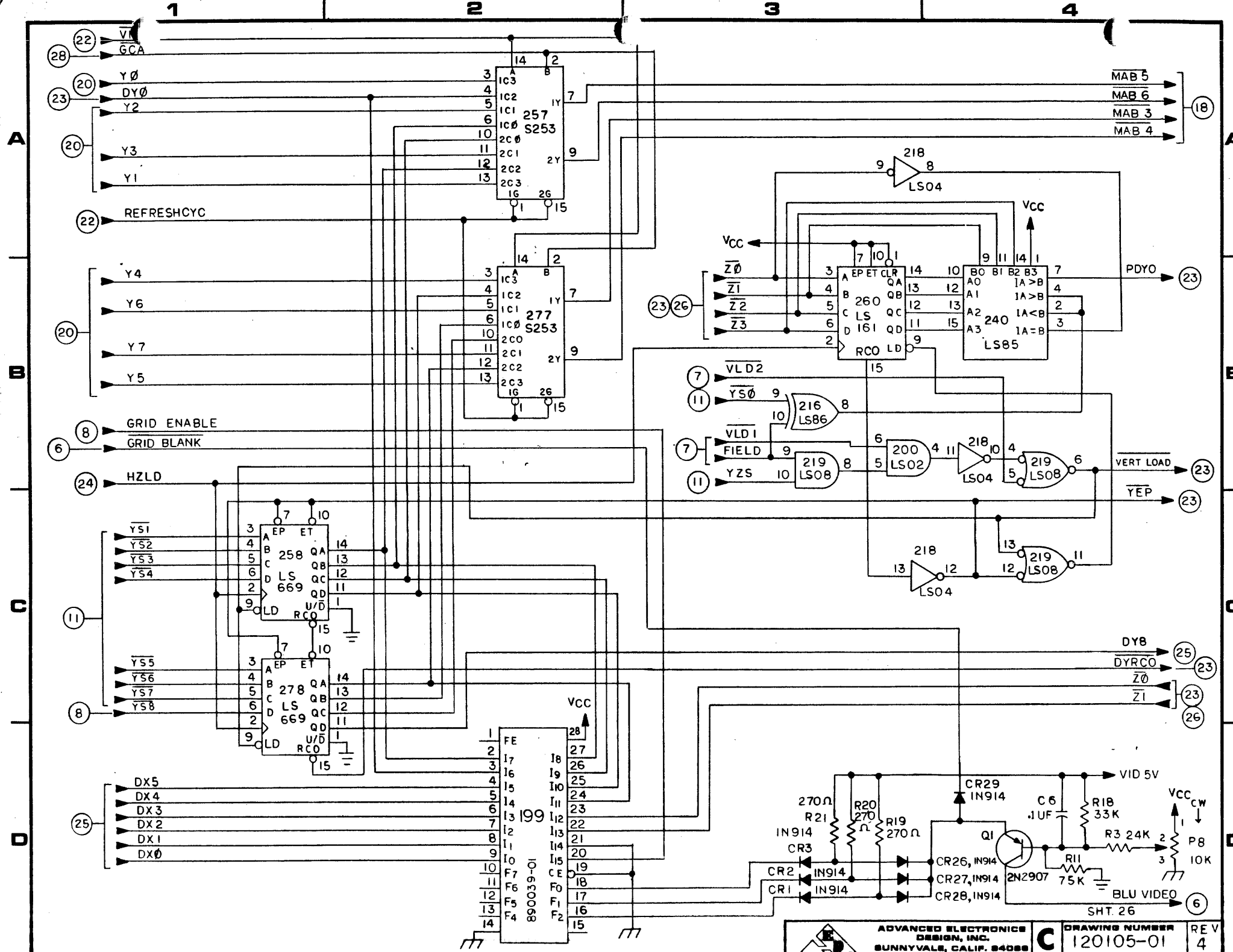
D

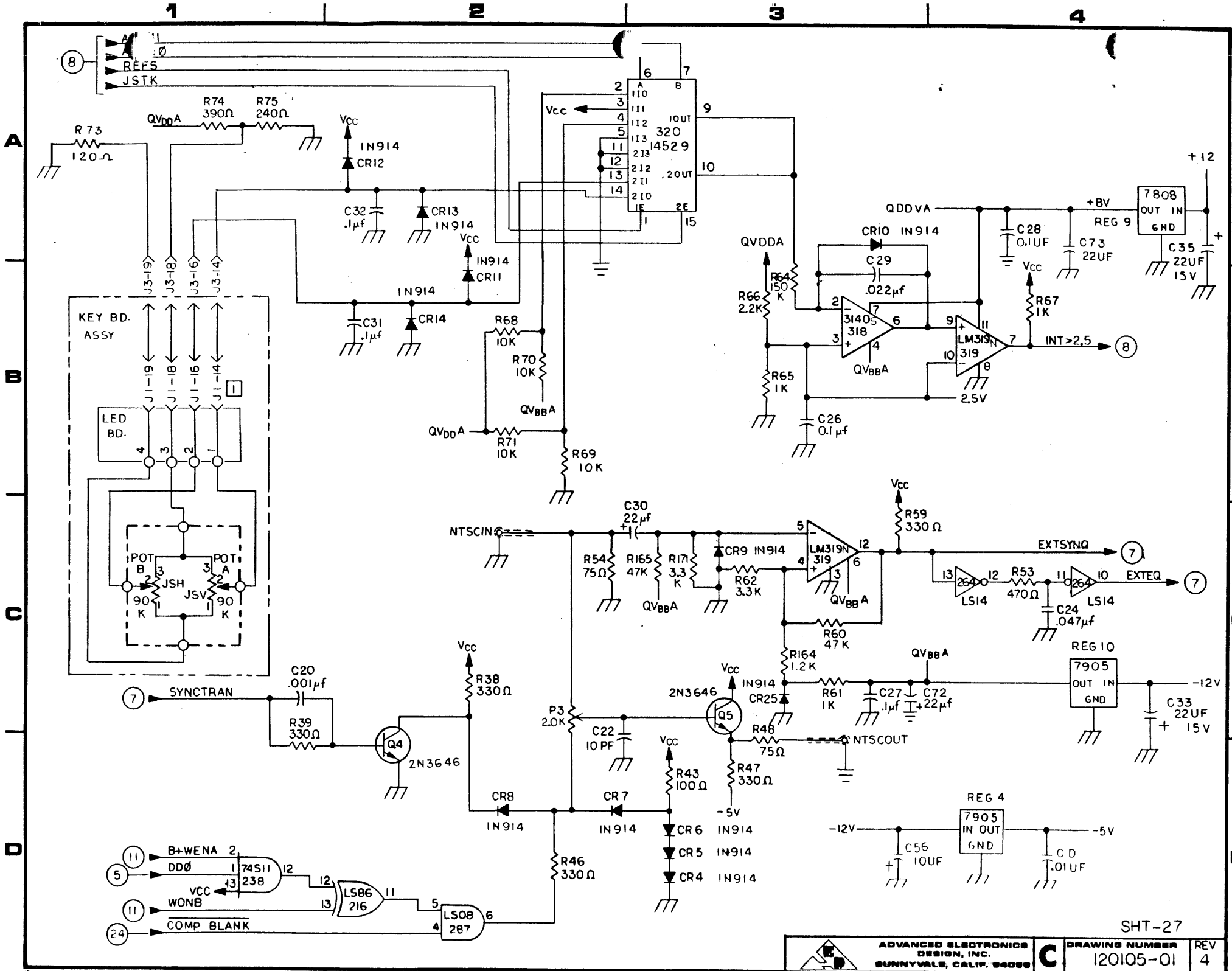


SHT-25

ADVANCED ELECTRONICS
DESIGN, INC.
SUNNYVALE, CALIF. 94086

DRAWING NUMBER
120105-01
REV
4





SHT-27

	ADVANCED ELECTRONICS DESIGN, INC. SUNNYVALE, CALIF. 94088		C	DRAWING NUMBER 120105-01	REV 4
	SHEET 27 OF 31				

1

2

3

4

A

A

B

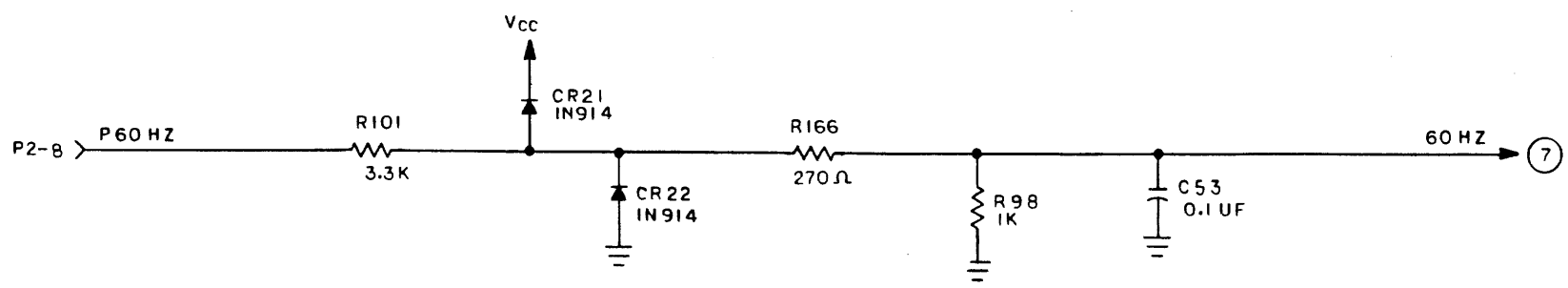
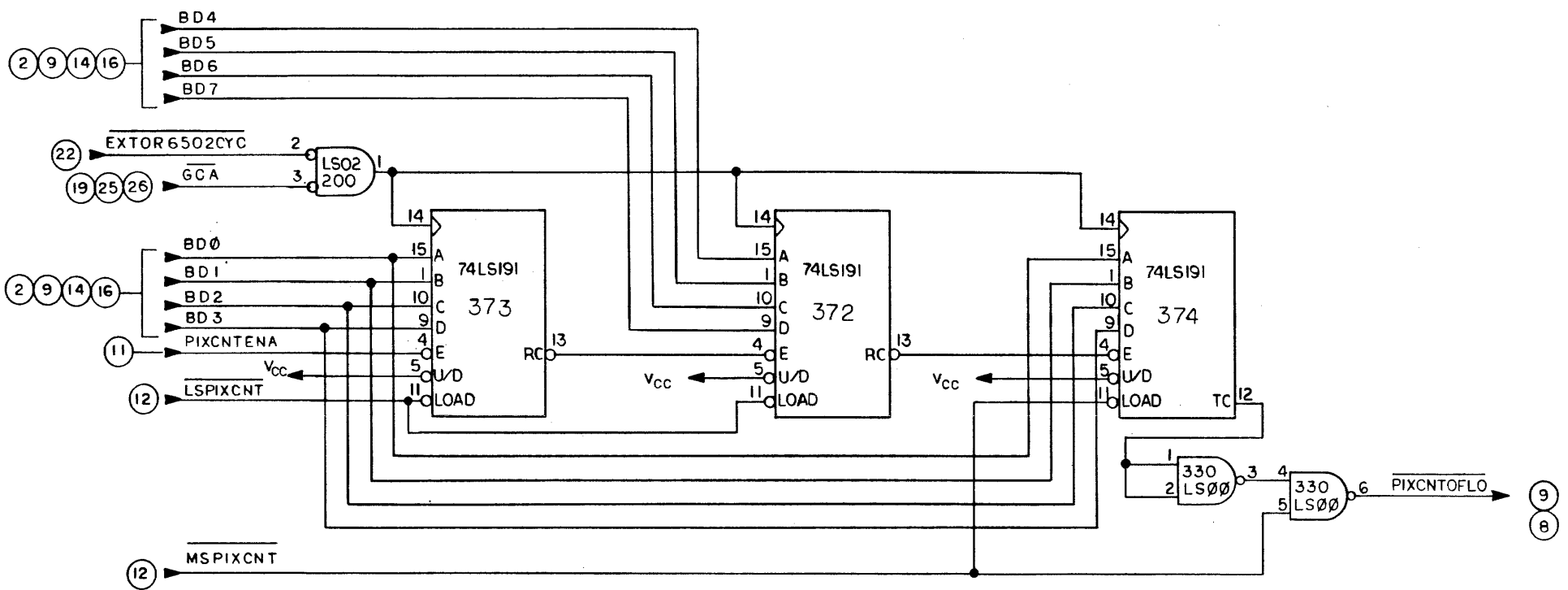
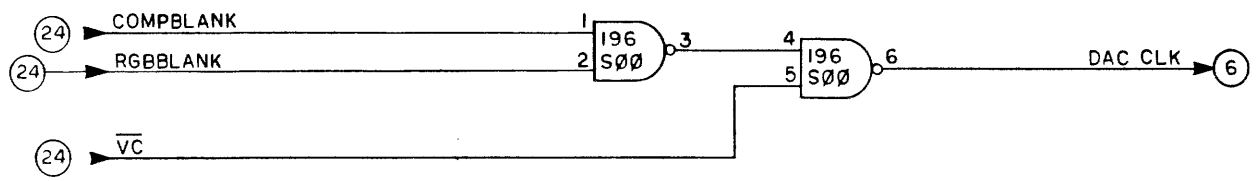
B

C

C

D

D



SHT-28

	ADVANCED ELECTRONICS DESIGN, INC. SUNNYVALE, CALIF. 94086		C	DRAWING NUMBER 120105-01	REV 4
				SHEET 28 OF 31	

1

2

3

4

A

B

C

D

A

B

C

D

00	141	4	121	4	101	4	81	4	61	4	41	4	2	4	1	4	
LS221	142	4	122	4	102	4	82	4	62	4	42	4	22	4	2	4	
7	143	4	123	4	103	4	83	4	63	4	43	4	23	4	3	4	
	144	4	124	4	104	4	84	4	64	4	44	4	24	4	4	4	
	145	4	125	4	105	4	85	4	65	4	45	4	25	4	5	4	
	146	4	126	4	106	4	86	4	66	4	46	4	26	4	6	4	
	147	4	127	4	107	4	87	4	67	4	47	4	27	4	7	4	
	148	4	128	4	108	4	88	4	68	4	48	4	28	4	8	4	
	149	4	129	4	109	4	89	4	69	4	49	4	29	4	9	4	
	150	4	130	4	110	4	90	4	70	4	50	4	30	4	10	4	
	151	5	131	5	111	5	91	5	71	5	51	5	31	5	11	5	
	152	5	132	5	112	5	92	5	72	5	52	5	32	5	12	5	
	153	5	133	5	113	5	93	5	73	5	53	5	33	5	13	5	
	154	5	134	5	114	5	94	5	74	5	54	5	34	5	14	5	
	155	5	135	5	115	5	95	5	75	5	55	5	35	5	15	5	
	156	5	136	5	116	5	96	5	76	5	56	5	36	5	16	5	
	157	5	137	5	117	5	97	5	77	5	57	5	37	5	17	5	
	158	5	138	5	108	5	98	5	78	5	58	5	38	5	18	5	
	159	5	139	5	119	5	99	5	79	5	59	5	39	5	19	5	
	160	5	140	5	120	5	100	5	80	5	60	5	40	5	20	5	
	192	LS00	186	LS374	179	S374	172	LS00	166	S08	165	06					
	14	14	16		6		14	14	11	11	6						
	14	14					14	14	11	11							
	193	LS273	187	S138	180	10124	173	10422	167	10124	162						
	14	6		6		6		6		MC10318							
	194	LS273	188	S08	181	10124	174	10422	168	10176	6						
	20	11	11	6		6		6									
		189	LS670	182	10124	175	10422	169	10176	163							
		11		6		6		6		MC10318							
	195	LS273	190	LS534	183	10124	176	10422	170	10176	6						
	11	11		6		6		6									
	196	S08	191	LS670	184	LS244	177	10422	171	10176	164						
	28	28	11		6		6		6		MC10318						
	25											6					
					185	10124	178	10422									
					6		6										

4164

74LS251

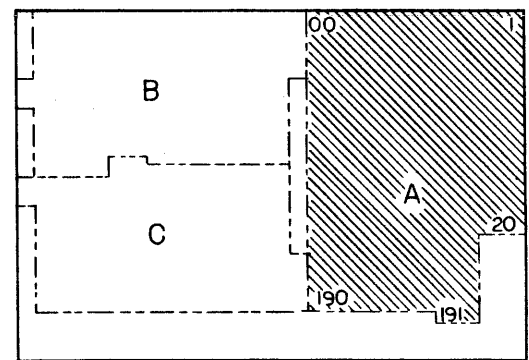
74LS166

4164

74LS251

74166

4164



161	
MPQ3906	
6	6
6	6

SHT-29



ADVANCED ELECTRONICS
DESIGN, INC.
SUNNYVALE, CALIF. 94088

C

DRAWING NUMBER
120105-01

REV
4

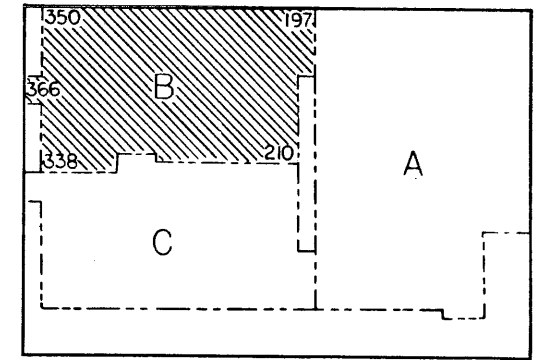
1

2

3

4

368 NE 555	350 LS161	330 LS00			261 LS126			201 4046B	197 LS157	
2	15	28 28			23 23			7	7	
					23 23					
	351 LS14	331 4040B			262 6502A	241 890038-01	222 S132	202 LS221		
	15 15	15			2	7	7 24	7		
	15 2						24 24	24		
	13 15									
	352 7406	332 4512B			301 S244	283 LS260	263 LS86	242 4040B	223 74S74	203 74S00
	15 13	15			2	12	7 7	7	24 24	24
	13 2					12	7 7	24	24 24	
	15 13									
	353 1489	333 4512B	317 8304	302 S244	284 LS00	264 LS14	243 LS02	224 LS174	204 LS08	244 S74
	13 13	15	2	2	12 12	16 7	7 7	7	4 4	19
	13 15				12 12	7 7	7 7		4 4	22
						27 27				
	354 1488	334 68B50	318 3140	303 4802	285 LS138	265 S374	245 LS02	225 LS74	205 S138	
	13 15	13	27	3	2	14	7 2	24	4	
	13 15						22 19	7	7	
	366 DPS2	355 1489	335 LM319	304 4802	286 LS138	266 LS32	246 LS00	226 S74	206 LS08	
8	13 13	68B50	27	3	12	23 21	24 24	24	4 4	
	13 15	13	27			20 20	20 20	24	4 4	
	356 1488				287 LS08	267 LS11	247 S04	227 S174	207 74S04	
	13 15	336 68B21			10 27	21	17 21	22	18 18	
	13 15				21 12	21	16 23		18 18	
						21	24 19		18 18	
		8	320 14529	3	288 LS32	268 LS109	248 74278	228 LS109	208 74S04	
					20 21	19		19	18 18	
	337 68B21		27	306 4802	12 21	23		19	18 18	
	8			3	289 LS27	269 LS10	249 LS04	229 LS00	209 74S04	
					23	22	17 22	17 19	18 18	
					21	21	22 22	22 19	18 18	
	338 68B21			307 4802	16 19	19	22 23	22 19	18 18	
					290	270	250	230	210	
					LS138	LS00	LS74	S00	74S32	
		8		3	12	16 21	19	22 24	17 17	
						21 22	22	25 17	25	



SHT - 30



ADVANCED ELECTRONICS
DESIGN, INC.
SUNNYVALE, CALIF. 94088

C DRAWING NUMBER
120105-01

REV
4

1

2

3

4

A

B

C

D

A

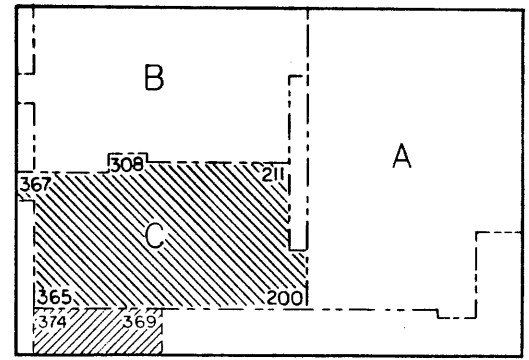
B

C

D

				291	271A	251	231	211	271B	
				SI38	74S02	74S04	S20	LS08	74S02	
				308		25	17 12	7	5 5	
							16 19		24 24	
					25		17 24	17	5 5	
367	357	339	321		292	272	252	232	212	
DPS1	LS221	LS244	SI61		LS669	LS74	LS00	S08	SI38	
8	21	14	19	309	16	16	16 16	17 17	5	
	9					20	19 16	17 17		
358	340	322			293	273	253	233	213	
7438	LS273	LSI38			LS669	LS02	LS08	74S30	LS08	
15 15		11	12		16	16 16	19 19	17	5 5	
15 15				310		20 20	22 16		5 5	
359	341	323			294	274	254	234	214	
330/390	LS273	LS08			LS669	LSI39	74S32	SI61	DPS3	
10 10 10 10		9 9			16	23	16 20	17	17	
10 10 10 10	9	21 21					16 25			
15 15 15 15										
360	342	324	311	295	275	255	235	215		
7438	LS240	LS00	890037-05	LS669	LS669	LS669	SI61	4.7K RN		
10 10		10 9			20	20	20	17	17 17 17 17	
10 10	9	10 15	3						17	
									17 17 17 17	
361	343	325		296	276	256	236	216		
7438	LS273	LS08	312	4040B	S253	S253	SI61	LS86		
10 10		9 10		18	25	25	17	16 20		
10 10	10	10 9	3					26 27		
362	344	326		297	277	257	237	217		
7438	LS273	LS32		S244	S253	S253	74SI61	LS00		
10 10		9 10	313	18	26	26	25	23 23		
10 10	10	10 9	890037-03					23 23		
363	345	327		298	278	258	238	218	198	
7438	LS240	LS74	3	LS273	LS669	LS669	74S11	LS04	SI74	
10 10		9		11	26	26	22	9 23		
10 10	9	9	314				19	6 26	14	
			890037-02				27	26 26		
364	346	328		299	279	259	239	219	199	
330/390	LS273	LS74		LS273	SI61	SI61	SI61	LS08	890039-01	
21 9 21		9	3	11	25	19	25	9 26		
10 10 10 10	9	21						26 26	26	
10 10 10 10			315							
375	365	347	329	890037-01	300	280	260	240	220	200
DPS4	7438	LSI57	LSI0		LS669	74SI61	LSI61	LS85	LS670	LS02
	21 9		9	3	23	25	26	26	23	28 26
		21	9							9 9
24 24 7 7	21 21		21							

374	373	372	371	370	369
LS191	LS191	LS191	LS109	S08	S74
			24	20 24	24
28	28	28	24	14 16	17



SHT - 31

	ADVANCED ELECTRONICS DESIGN, INC. SUNNYVALE, CALIF. 94088	C	DRAWING NUMBER 120105-01	REV 4
	SHEET 31 OF 31			