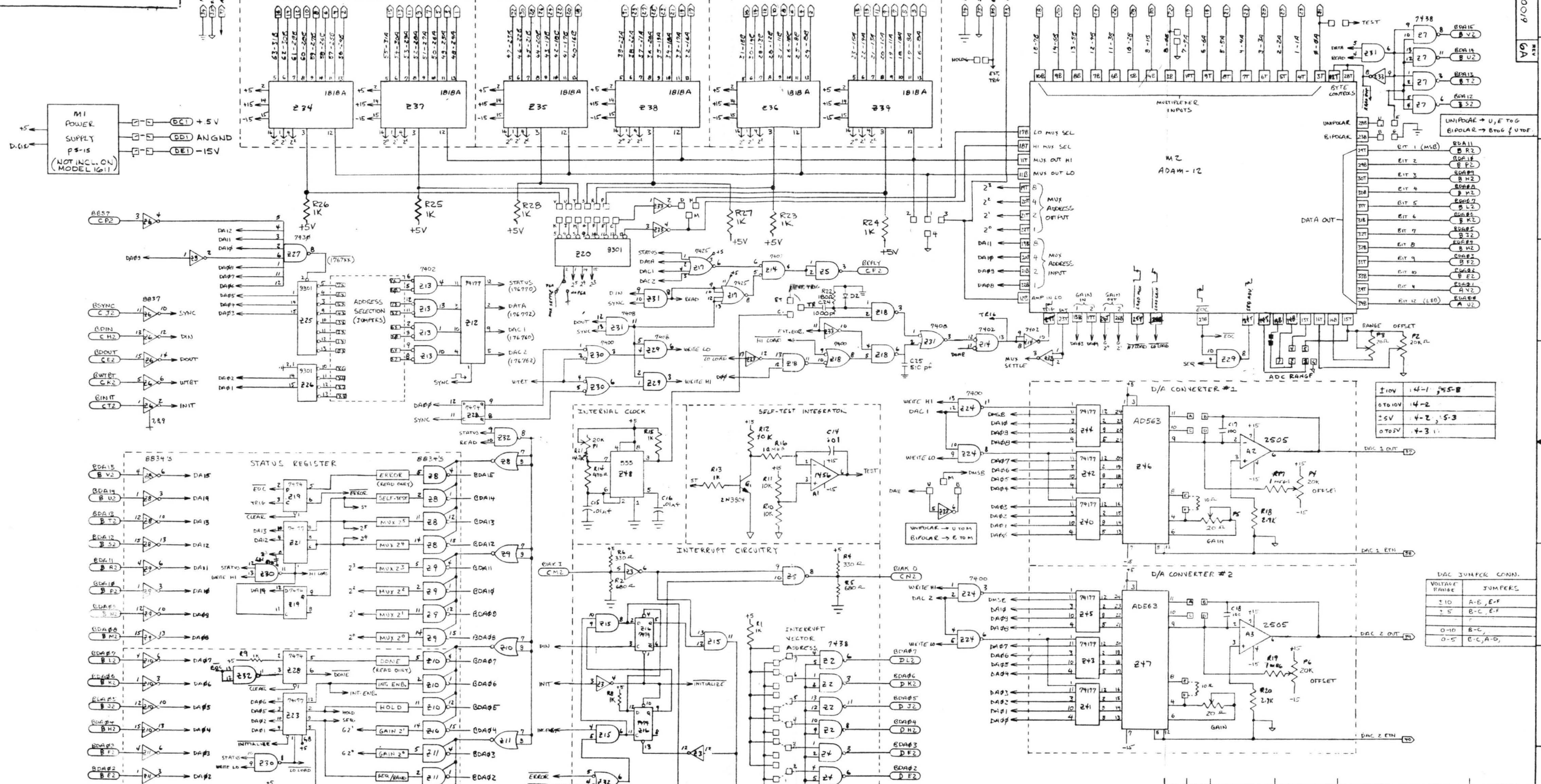


THESE DRAWINGS AND SPECIFICATIONS ARE THE PROPERTY OF ADAC CORP. AND SHALL NOT BE REPRODUCED OR COPIED OR USED AS THE BASIS FOR MANUFACTURE OR SALE OF APPARATUS WITH OUT EXPRESSLY WRITTEN AUTHORIZATION.

REV	ECO	DESCRIPTION	OWN/APPL	DATE
0				5/10/69



REQD ITEM	PART NO.	CIRCUIT SYM	DESCRIPTION	MATL SPEC
LIST OF MATERIAL				
adac corporation WOBURN MASS.				
MODEL 1030 SCHEMATIC				
DRAWN: <i>[Signature]</i>		DATE: 11/30/68		
CHECKED: <i>[Signature]</i>		DESIGNER:		
MATERIAL:		ENGINEER:		
FINISH:		APPROVED:		
APPLICABLE SPECIFICATIONS:		RELEASED: <i>[Signature]</i>		
NEXT ASSY USED ON:		CODE IDENT NO.:		
APPLICATION:		SCALE: D 5-10019		
		SHEET OF: 6A		

MI POWER SUPPLY PS-15 (NOT INCL. ON MODEL 1030)

CONNECTOR C2

64/32 CHANNEL EXPANSION

48/24 CHANNEL EXPANSION

32/16 CHANNEL EXPANSION

STATUS REGISTER

INTERNAL CLOCK

SELF-TEST INTEGRATOR

INTERRUPT CIRCUITRY

D/A CONVERTER #1

D/A CONVERTER #2

DATA OUT

UNIPOLAR BIPOLAR

UNIPOLAR → U, E TO G
BIPOLAR → B to G & U to E

STATUS REGISTER

ERROR (READ ONLY)

SELF-TEST

MUX 2⁵

MUX 2⁴

MUX 2³

MUX 2²

MUX 2¹

INT. ENB.

HOLD

INT. ENB.

GAIN 2¹

GAIN 2²

SEC. PAUSE

EXT. ENB.

EXT. ENB.

START (WRITE ONLY)

STATUS REGISTER

ERROR (READ ONLY)

SELF-TEST

MUX 2⁵

MUX 2⁴

MUX 2³

MUX 2²

MUX 2¹

INT. ENB.

HOLD

INT. ENB.

GAIN 2¹

GAIN 2²

SEC. PAUSE

EXT. ENB.

EXT. ENB.

START (WRITE ONLY)

STATUS REGISTER

ERROR (READ ONLY)

SELF-TEST

MUX 2⁵

MUX 2⁴

MUX 2³

MUX 2²

MUX 2¹

INT. ENB.

HOLD

INT. ENB.

GAIN 2¹

GAIN 2²

SEC. PAUSE

EXT. ENB.

EXT. ENB.

START (WRITE ONLY)

±5V
AAZ, BAZ, BV1
CAZ, DAZ, DV1

GND
AZ, AJ, AM1, BCZ, BJ1, BM1
CZ, CJ1, CM1, DCZ, DJ1, DM1

DATA GATES
229, 7408
225, 7438 (1)

UNIPOLAR → U TO M
BIPOLAR → E TO M

DAC JUMPER CONN.

VOLTAGE RANGE	JUMPERS
±10V	14-1, 15-5
±10/10V	14-2
±5V	14-3, 15-3
±0.2V	14-3, 15-1