
Application Block Diagrams

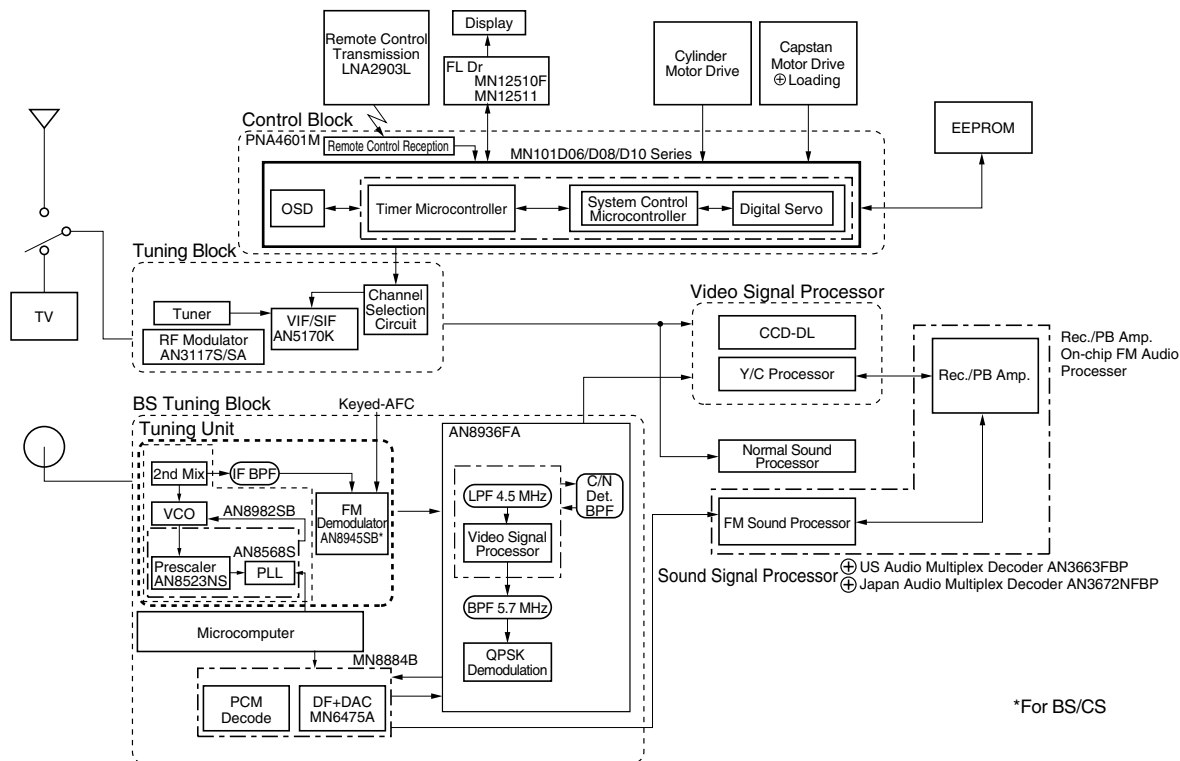
Contents

Video Applications	27
(1) VCR System	27
(2) TV-VCR Combination	27
(3) Video Camera System	28
(4) DVD Player	28
(5) DVD-RAM Recoder	29
(6) Digital TV Solution	29
(7) Color TV (NTSC) – (1)	30
(8) Color TV (NTSC) – (2)	30
(9) Color TV (PAL/NTSC/SECAM) – (1)	31
(10) Color TV (PAL/NTSC/SECAM) – (2)	31
(11) Liquid Crystal Display TV	32
(12) BS/CS Tuner System	32
(13) Color CRT Monitor	33
(14) CCD Digital Camera System (I)	33
(15) CCD Digital Camera System (II)	34
(16) Digital Still Camera System (3.3M, 4M, 5Mpix.)	35
Audio Applications	36
(1) CD Player	36
(2) Headphone Stereo/Microcassette/Radio (Headphone Stereo)	36
(3) Car Radio/Car Stereo/FM Multiplexer	37
(4) MD Recoder (Recording/Playback)	37
(5) DAB Receiver	38
(6) SD Audio Recoder/Player (Recording/Playback)	38
Information Applications	39
(1) DVD-ROM Drive	39
(2) Floppy Disc Drive	39
(3) For Voice Signal such as Notebook-sized PC, MP3 Player, DSC ...	40
(4) Full-Color TFT-LCD System	40
Communication Applications	41
(1) Digital Cellular Phone (PDC 0.8/1.5 GHz)	41
(2) Digital Cellular Phone (1.5 GHz band)	41
(3) Digital Cordless Phone (Base set)	42
(4) Digital Cordless Phone (Hand set)	42
(5) Answering Phone · Cordless Phone (Base set)	43
(6) Answering Phone · Cordless Phone (Hand set)	43
(7) Fax	44
Industrial, Home Applications	45
(1) For Switching Power Supply DC-DC Converter	45
(2) Switching Power Supply (Oscillation of RCC)	46

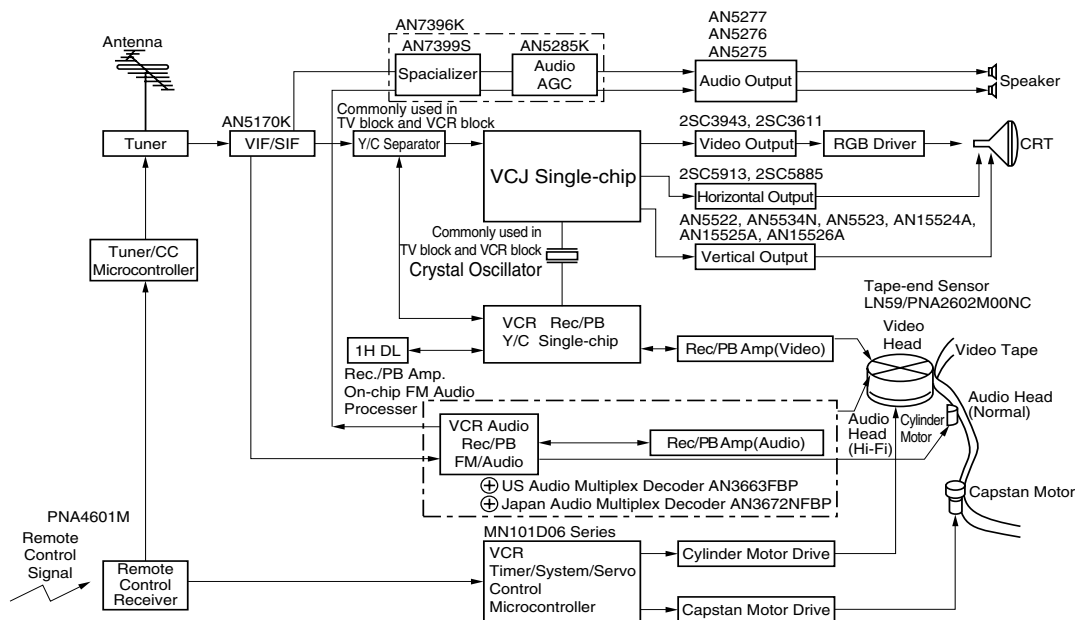
Application Block Diagrams

Video Applications

(1) VCR System



(2) TV-VCR Combination



Note) The transistors and diodes listed below can be used for the peripheral circuits in this block diagram.

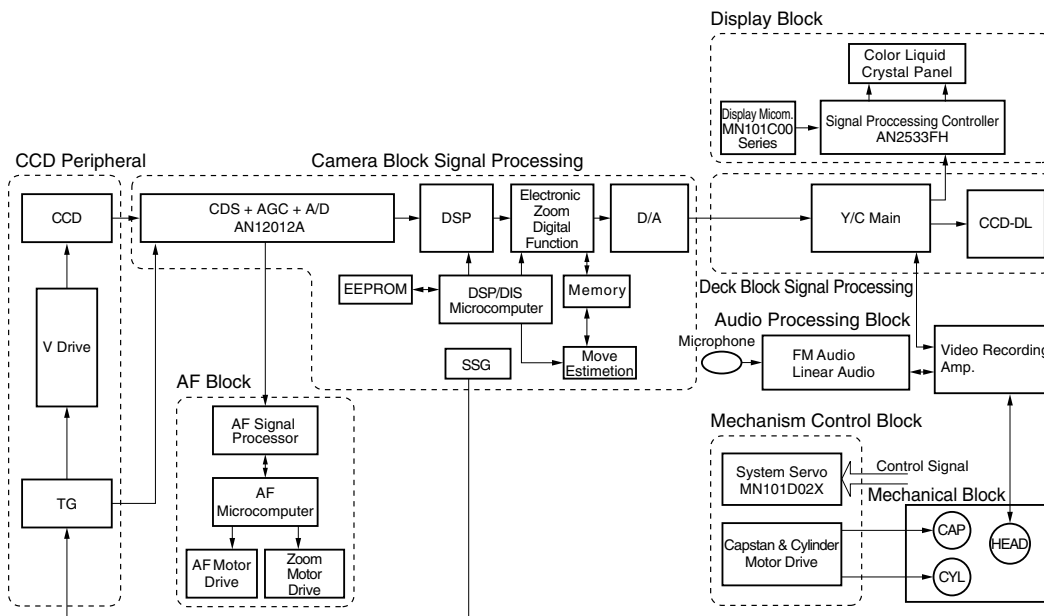
- Transistor: 2SB709A (2SB709A), 2SD0601A (2SD601A), UNR2000 (UN2000) Series
- Diode: MA2J111 (MA111), MA3X152D (MA152WA), MAZ8000 (MA8000) Series
- Photo Couplers: CNC1S101 (ON3131) (For Japan and U.S.A.), CNC1S171 (ON3171) (For Europe)

Note) In the figures, part numbers show the Matsushita unified part numbers. And the part numbers in parentheses show the conventional ones.

Application Block Diagrams

Video Applications

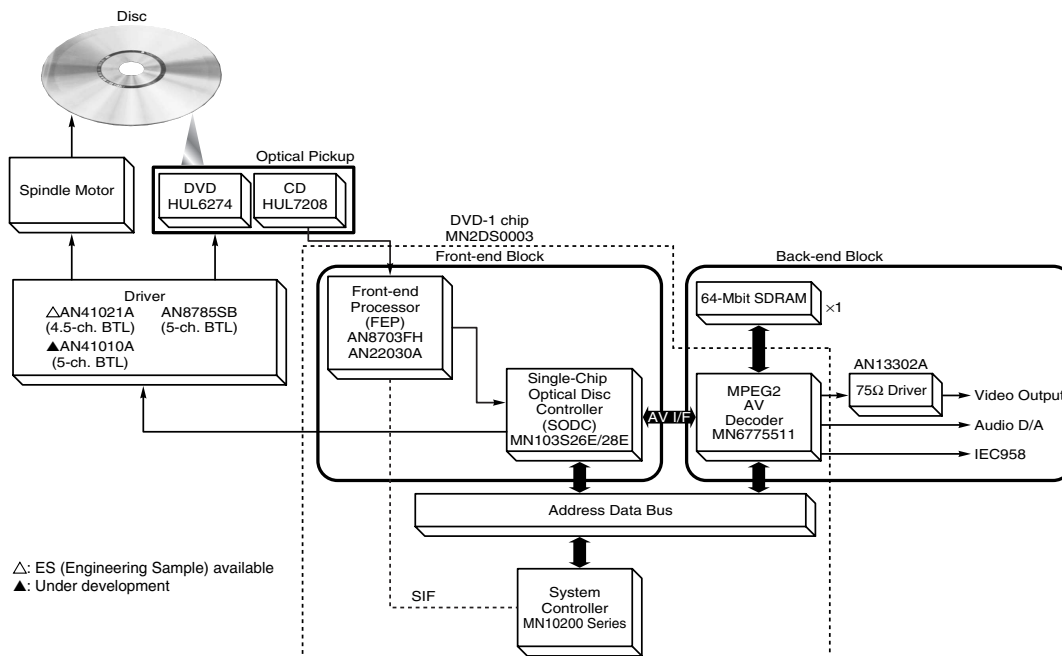
(3) Video Camera System



Note) The transistors and diodes listed below can be used for the peripheral circuits in this block diagram.

- Transistor: 2SB1462J, 2SD2216J, UNR9000(UN9000J) Series, XP Series
- Diode: MA2S111, MA2S728, MA2SD19, MA2YD15, MAZS Series
- Protector Elements: UNHZ Series

(4) DVD Player



Note) The transistors and diodes listed below can be used for the peripheral circuits in this block diagram.

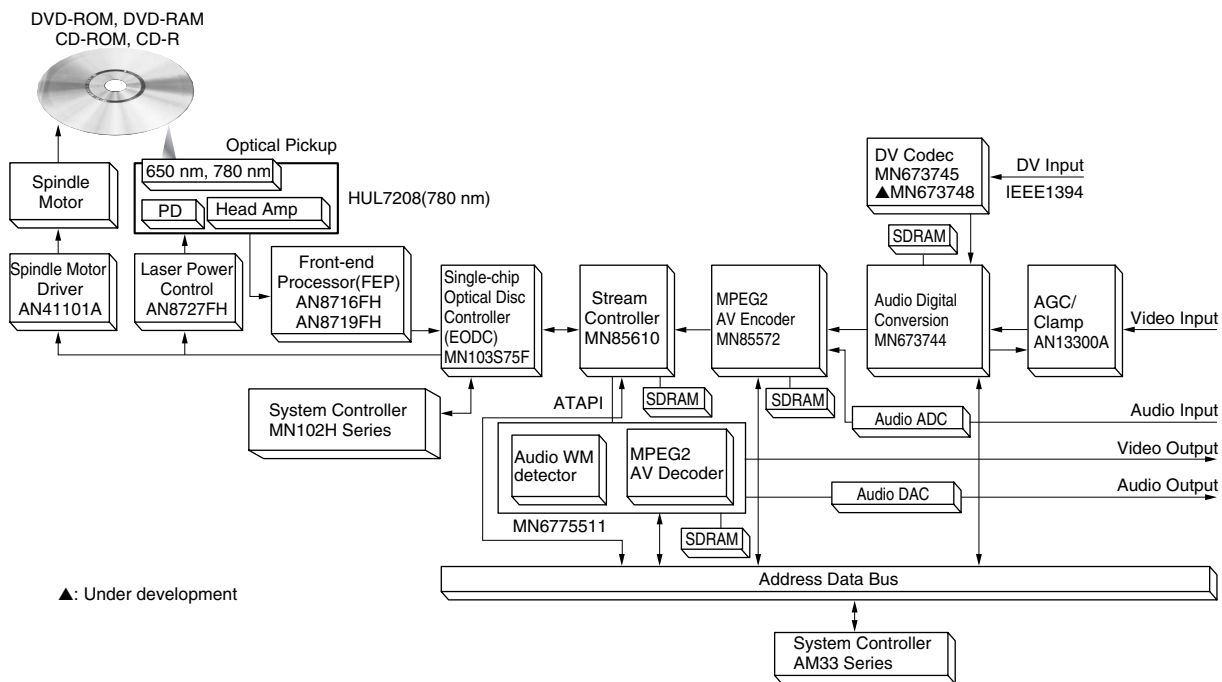
- Transistor: 2SB1218A/2SD1819A, UNR5000(UN5000) Series
- Diode: MA2J111(MA111), MA2J728(MA728), MAZ8000(MA8000) Series
- Protector Elements: UNHS/UNHZ Series

Note) In the figures, part numbers show the Matsushita unified part numbers. And the part numbers in parentheses show the conventional ones.

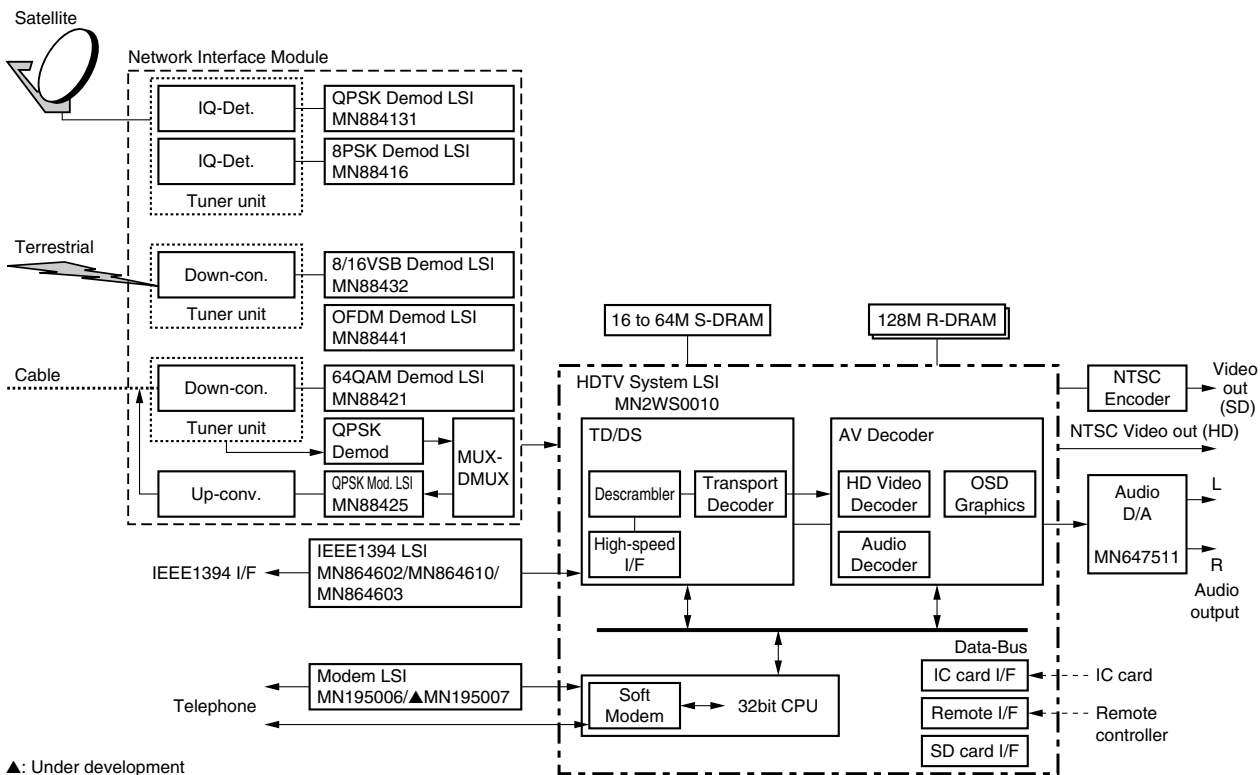
Application Block Diagrams

Video Applications

(5) DVD-RAM Recorder



(6) Digital TV Solution

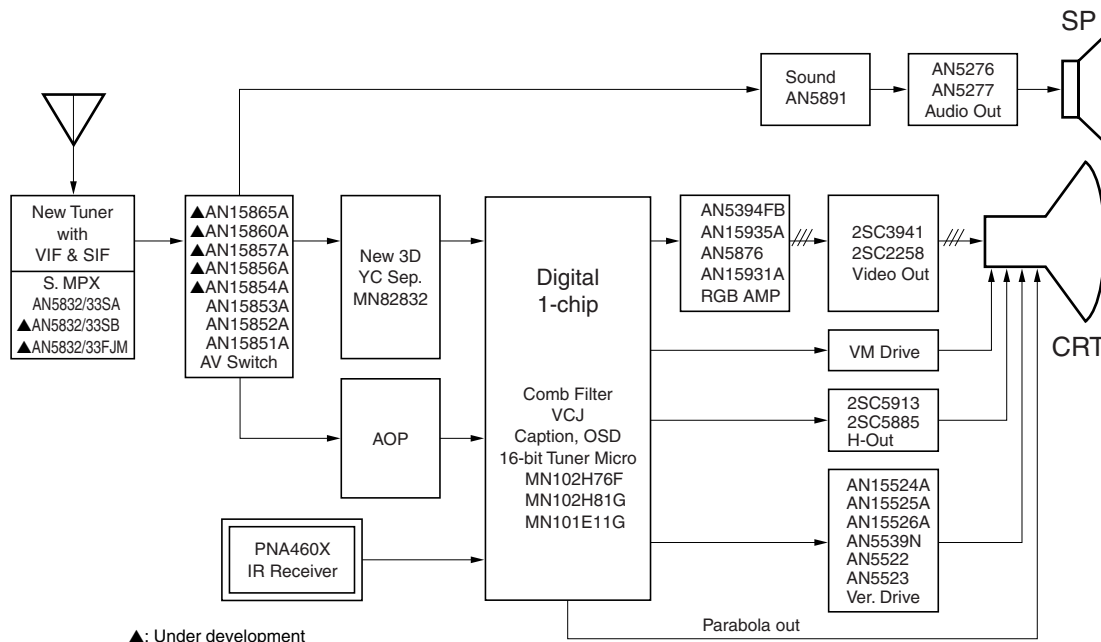


Note) In the figures, part numbers show the Matsushita unified part numbers. And the part numbers in parentheses show the conventional ones.

Application Block Diagrams

Video Applications

(7) Color TV (NTSC) – (1)

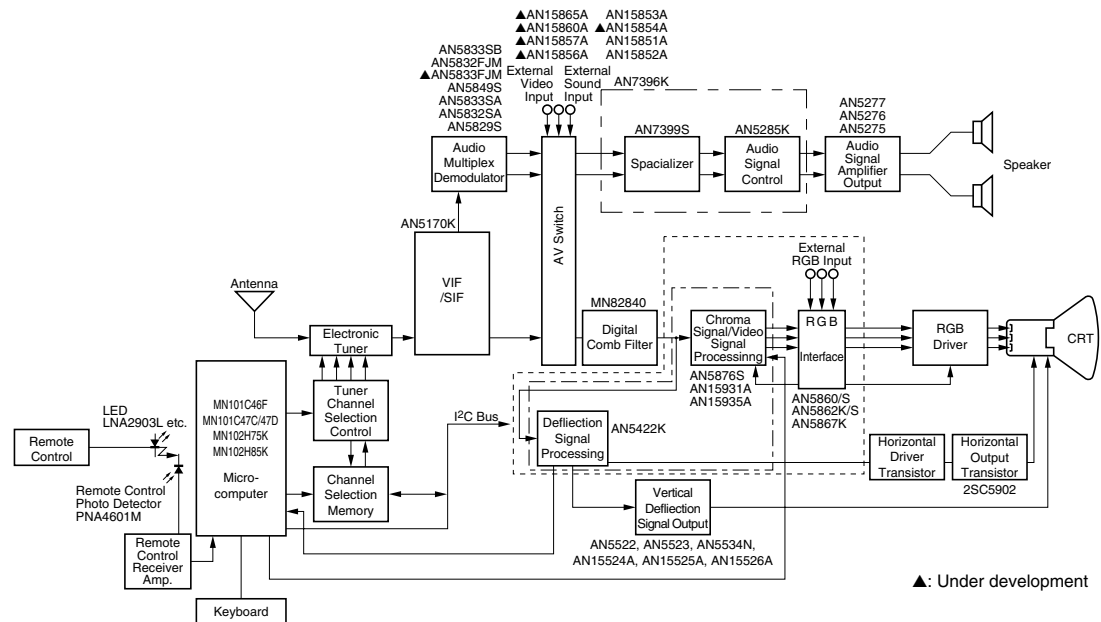


▲: Under development

Note) The transistors and diodes listed below can be used for the peripheral circuits in this block diagram.

- Transistor: 2SB0709A (2SB709A), 2SD0601A (2SD601A), UNR2000 (UN2000) Series
- Diode: MA2J111 (MA111), MA2J729 (MA729), MA3X152D (MA152WA), MA3X152E (MA152WK), MAZ8000 (MA8000) Series
- Photo Couplers: CNC1S101 (ON3131) (For Japan and U.S.A.), CNC1S171 (ON3171) (For Europe)

(8) Color TV (NTSC) – (2)



▲: Under development

Note) The transistors and diodes listed below can be used for the peripheral circuits in this block diagram.

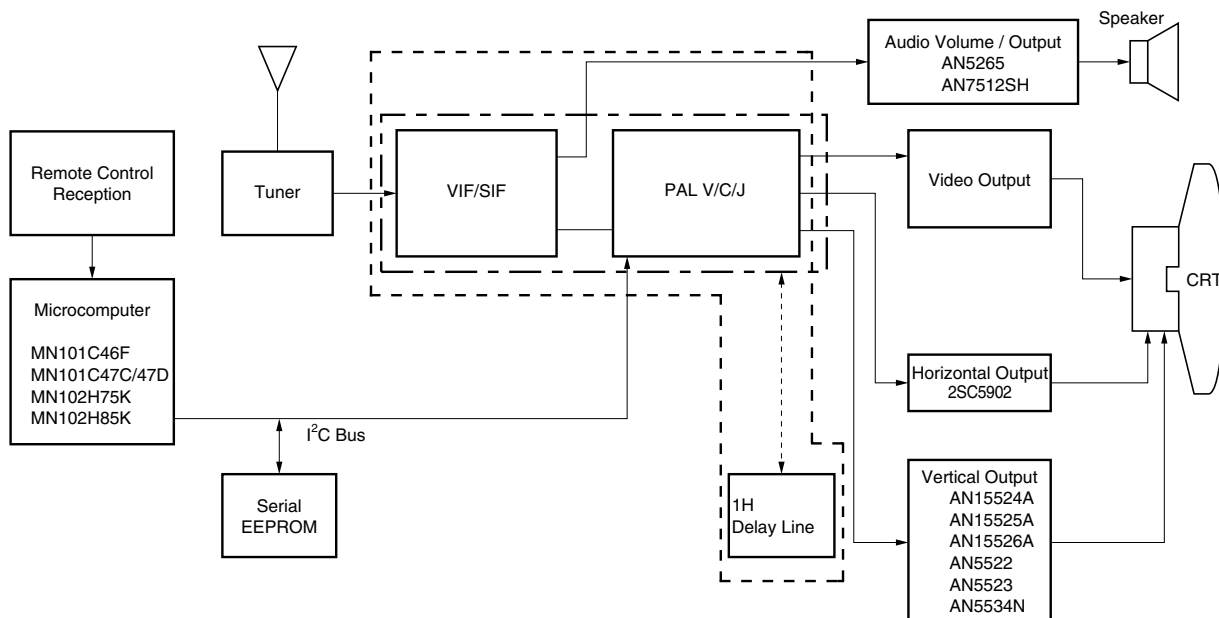
- Transistor: 2SB0709A (2SB709A), 2SD0601A (2SD601A), 2SD1328, 2SB0970 (2SB970), UNR2000 (UN2000) Series
- Diode: MA2J111 (MA111), MA2J728 (MA728), MA2J729 (MA729), MA2Q738 (MA738), MA3X152D (MA152WA), MA3X152E (MA152WK), MAZ8000 (MA8000) Series
- Photo Couplers: CNC1S101 (ON3131) (For Japan and U.S.A.), CNC1S171 (ON3171) (For Europe)
- Protector Elements: UNHS/UNHZ Series

Note) In the figures, part numbers show the Matsushita unified part numbers. And the part numbers in parentheses show the conventional ones.

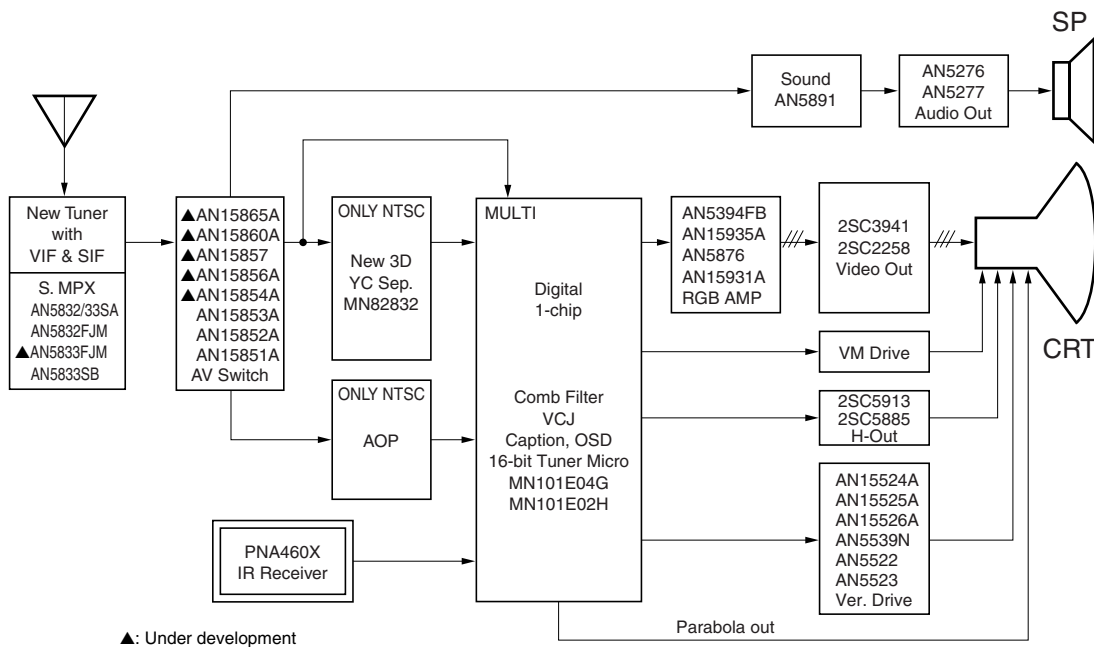
Application Block Diagrams

Video Applications

(9) Color TV (PAL/NTSC/SECAM) – (1)



(10) Color TV (PAL/NTSC/SECAM) – (2)



▲: Under development

MN101E02G include Teletext

Note) The transistors and diodes listed below can be used for the peripheral circuits in this block diagram.

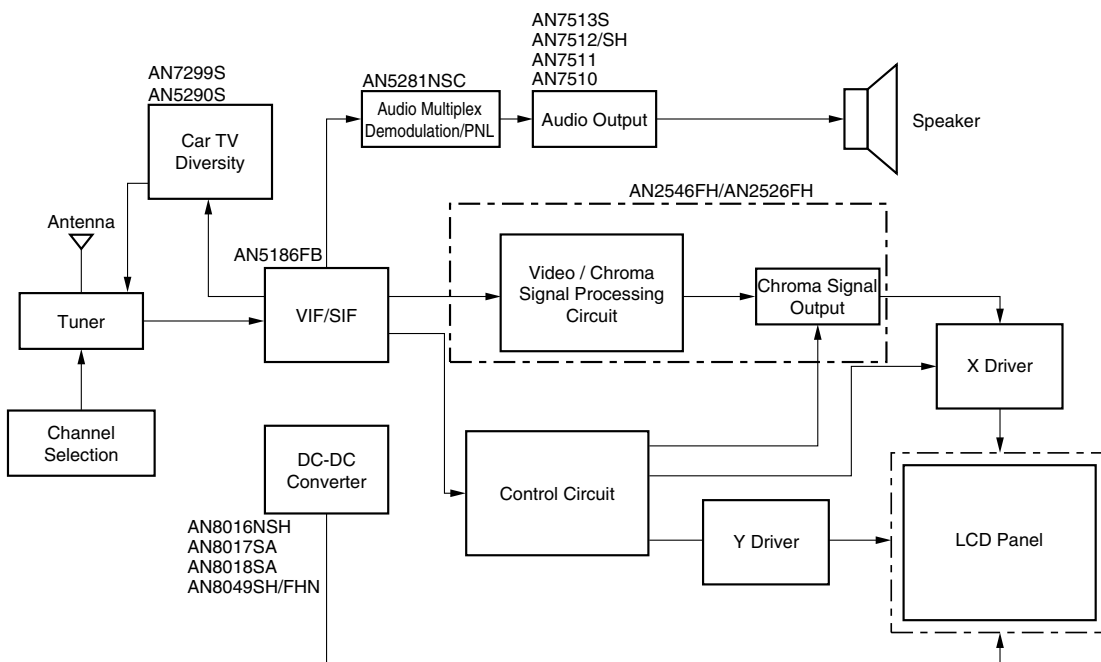
- Transistor: 2SB0709A (2SB709A), 2SD0601A (2SD601A), UNR2000 (UN2000) Series
- Diode: MA2J111 (MA111), MA2J729 (MA729), MA3X152D (MA152WA), MA3X152E (MA152WK), MAZ8000 (MA8000) Series
- Photo Couplers: CNC1S101 (ON3131) (For Japan and U.S.A.), CNC1S171 (ON3171) (For Europe)

Note) In the figures, part numbers show the Matsushita unified part numbers. And the part numbers in parentheses show the conventional ones.

Application Block Diagrams

Video Applications

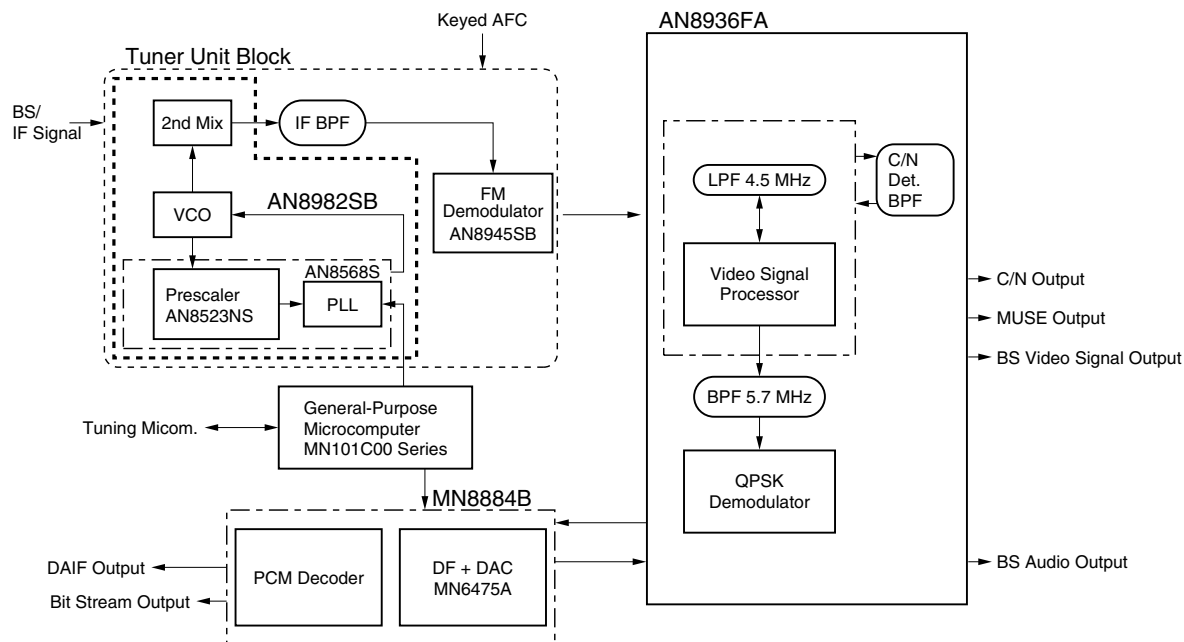
(11) Liquid Crystal Display TV



Note) The transistors and diodes listed below can be used for the peripheral circuits in this block diagram.

- Transistor: 2SB1218A/2SD1819A, UNR5000 (UN5000) Series, XP Series
- Diode: MA2J111 (MA111), MA2J729 (MA729), MA2YD15, MA2ZD02, MAZ8000 (MA8000) Series
- Protector Elements: UNHS/UNHZ Series

(12) BS/CS Tuner System

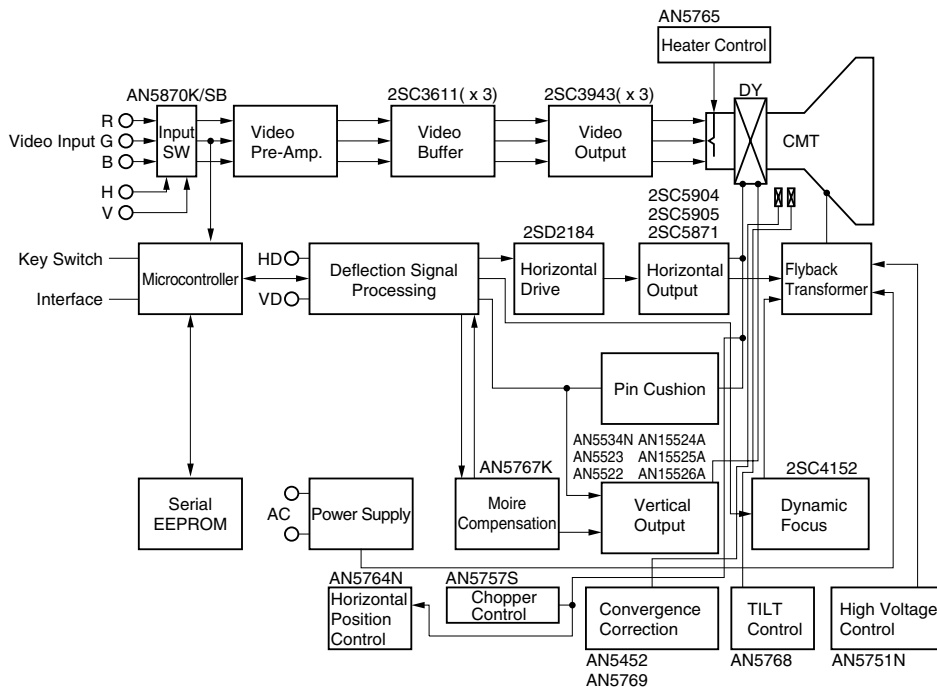


Note) In the figures, part numbers show the Matsushita unified part numbers. And the part numbers in parentheses show the conventional ones.

Application Block Diagrams

Video Applications

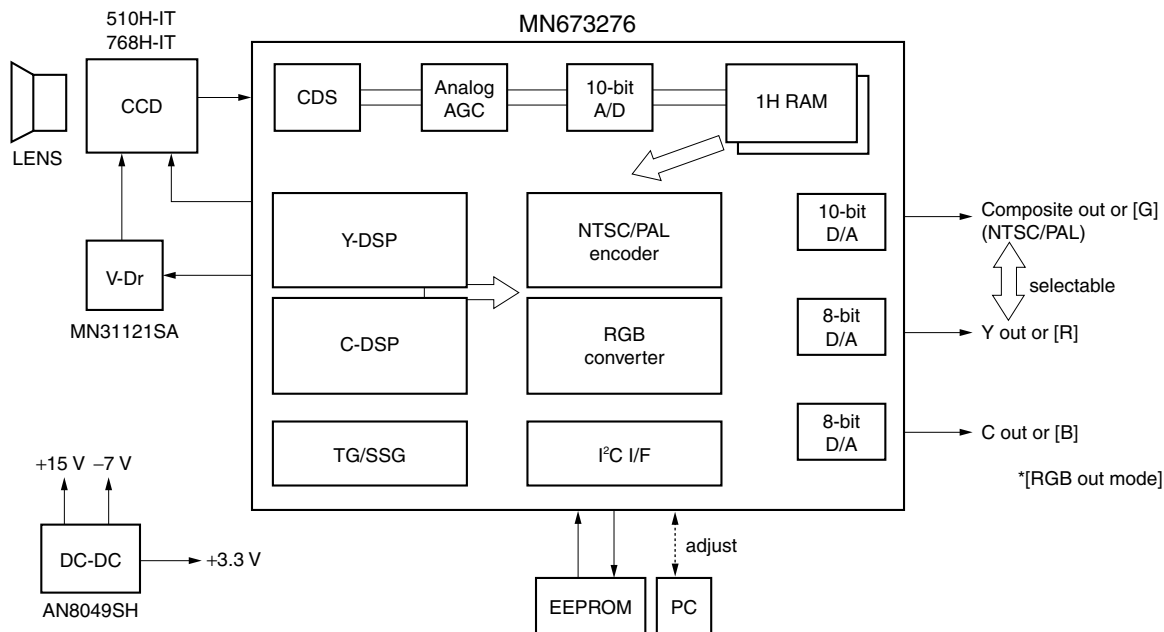
(13) Color CRT Monitor



Note) The transistors and diodes listed below can be used for the peripheral circuits in this block diagram.

- Transistor: 2SB0709A (2SB709A), 2SD0601A (2SD601A), UNR2000 (UN2000) Series
- Diode: MA2J111 (MA111), MA2Q738 (MA738), MA2YD15, MAZ8000 (MA8000) Series
- Protector Elements: UNHS/UNHZ Series

(14) CCD Digital Camera System (I)

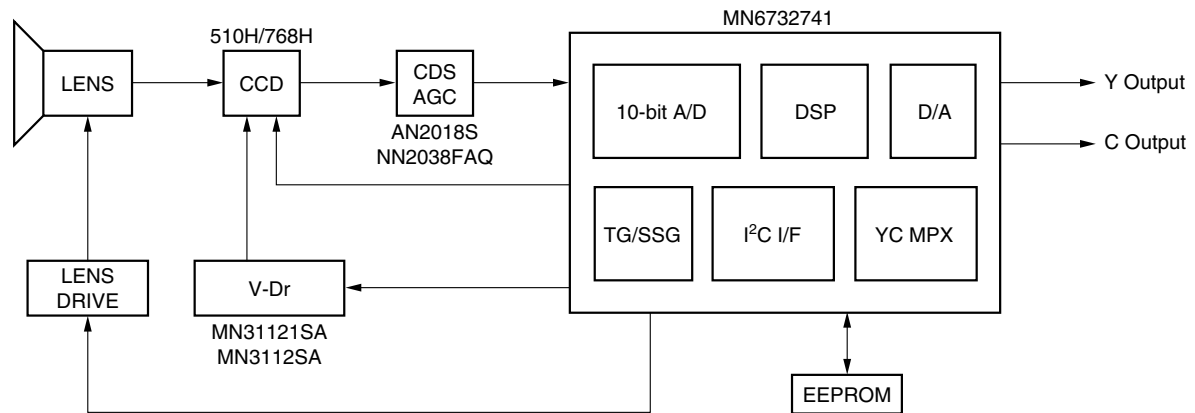


Note) In the figures, part numbers show the Matsushita unified part numbers. And the part numbers in parentheses show the conventional ones.

Application Block Diagrams

Video Applications

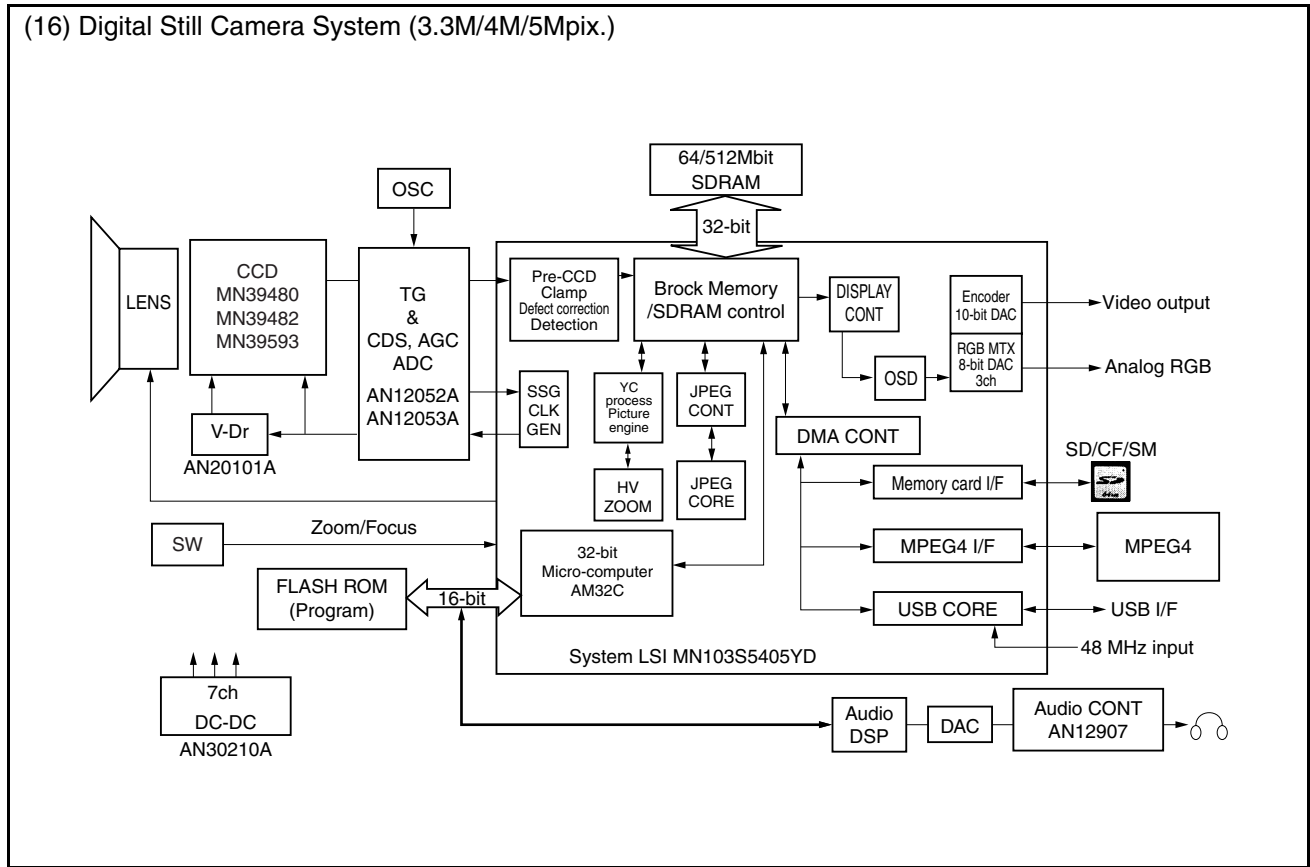
(15) CCD Digital Camera System (II)



Application Block Diagrams

Video Applications

(16) Digital Still Camera System (3.3M/4M/5Mpix.)



Pixel	CCD	V driver	Timing Gen.	CDS/AGC ADC	DSP	DC-DC	Audio
3.3M	MN39480 1/2.7 type-2.8 μm cell	AN20101A	AN12052A/53A		MN103S5405YD	AN30210A	AN12907
4.0M	MN39482 1/2.5 type-2.8 μm cell						
5.0M	MN39593 1/1.8 type-2.8 μm cell		TG+CDS-AGC/ADC 10-bit/12-bit	Pixel Free built-in 32-bit CPU High picture quality	7ch out Built-in power MOS—1ch Sync.rectif.2ch Min.1.5 V supply	Low voltage — min 1.8 V Beep available QFN 6 mm × 6 mm	