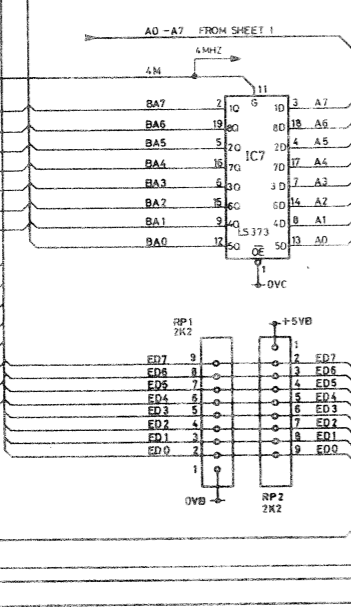
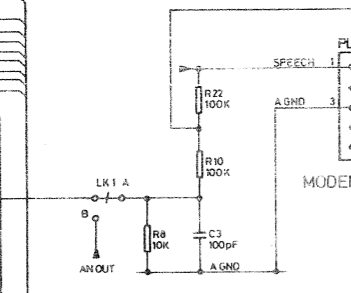
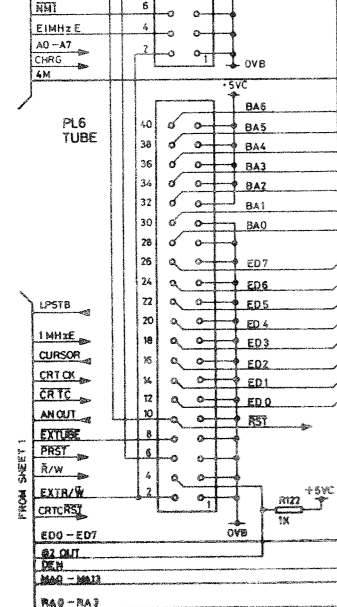
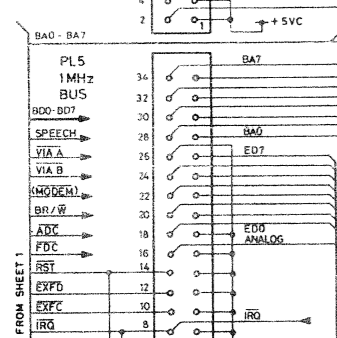
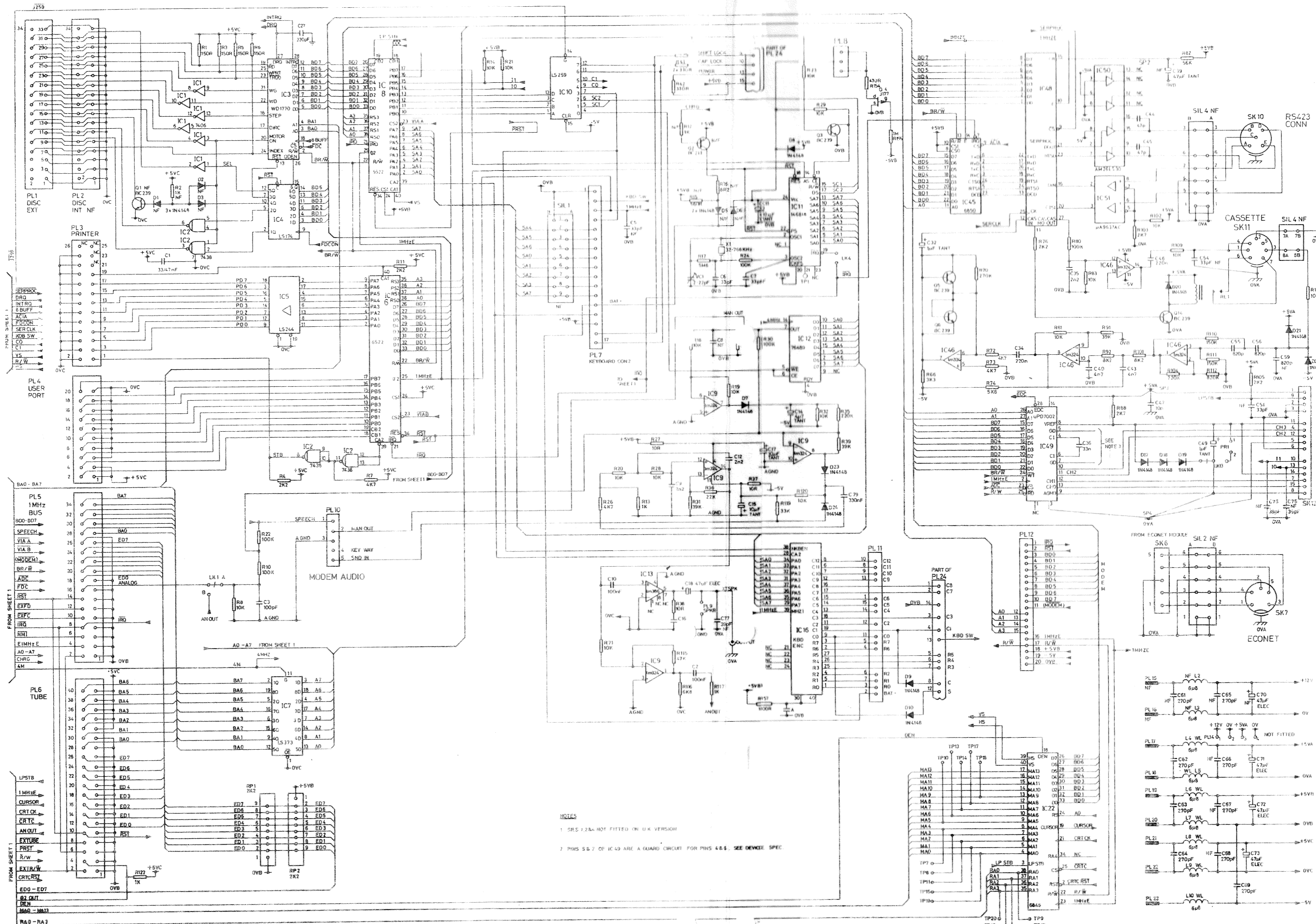


SUPPLY	IC N°	OV	+5V	TYPE N°
C	1	7	14	7406
C	2	7	14	7408
C	3	14	15	WD1770
C	4	8	16	74LS174
C	5	10	20	74LS244
C	6	1	20	65521
C	7	10	20	74LS373
B	8	1	20	8521
B	9	0	1	LM 324
B	10	8	16	74LS259
B	11	12	16	146818
B	12	8	16	76489
B	13	0	1	LM 385
B	14	1.5, 21	6	65521
B	15	10	30	I/O CONT. OF 30050
B	16	10	30	KEYBOARD (CF 3007)
B	17	18	9	4464
B	18	18	9	4464
B	19	7	14	74LS154
B	20	10, 32	30	MEMCONT. OF 30045
B	21	10, 32	30	PBC. CF 30045
B	22	1	20	6845
B	23	16	9	4464
B	24	14	28	ER05
B	25	7	14	74LS586
B	26	18	9	4464
B	27	14	28	ROM/EPROM
B	28	7	14	74LS74
B	29	8	16	74HC1251
B	30	8	16	74LS257A
B	31	10, 20, 30, 40	30	CRIC. MUX. OF 30045
B	32	1	16	5AA 5050
B	33	8	16	74HC1253
B	34	7	14	74LS00
B	35	8	16	74LS169
B	36	7	14	74LS00
B	37	14	28	ROM/EPROM
B	38	1	16	74LS150
B	39	7	14	74LS02
B	40	10	30	CHROMA CF 30045
B	41	14	28	ROM/EPROM
B	42	1	16	VID PROC.
B	43	7	14	74LS04
B	44	NOT USED		
B	45	1	12	6850
B	46	0	1	LM 324
B	47	NOT USED		
B	48	14	28	SERPROC
A	49	0	1	LPD7002
A	50	5	1	26LS30
A	51	5	1	IA9E37AC

NOTES  
 1. SIL 3 NOT FITTED ON UK VERSION.  
 2. 2PIN LINK ON A8 ONLY  
 LINK IN TO PROVIDE EXTERNAL CLOCK TO COMPUTER  
 LINK OUT TO PROVIDE 8MHz TO CARTRIDGES.  
 3. LK18, 9 IN POSITIONS 'WEST'  
 ALTERNATIVE POSITIONS ENABLE ROM SOCKETS 41 & 37 RESPECTIVELY



NOTES  
 1. SRS 23& NOT FITTED ON UK VERSION  
 2. PINS 5 & 7 OF IC43 ARE A GUARD CIRCUIT FOR PINS 4 & 6. SEE DEVICE SPEC

SCALE	ALL DIMENSIONS IN mm UNLESS OTHERWISE STATED
DECIMAL No. TOL	ANGLE TOL

Copyright of this drawing is reserved by ACORN COMPUTERS LTD. It is issued on condition that it is not copied, reproduced or disclosed to a third party, either wholly or in part, without the consent in writing of ACORN COMPUTERS LTD.

© COPYRIGHT 198 ACORN COMPUTERS LTD. FULBOURN ROAD, CHERRY HINTON, CAMBRIDGE CB1 4JN

**ACORN COMPUTERS Ltd**

TITLE MASTER 128 MAIN PCB CIRCUIT DIAGRAM

DRG. No. 0143,000/C

SHEET 2 of 2			
DATE	DESG. OF CHANGE	OWN	CHKD